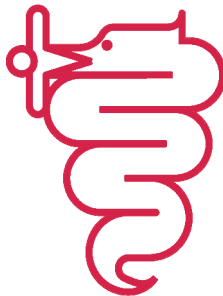


BZ07



BEZZERA

Dal 1901

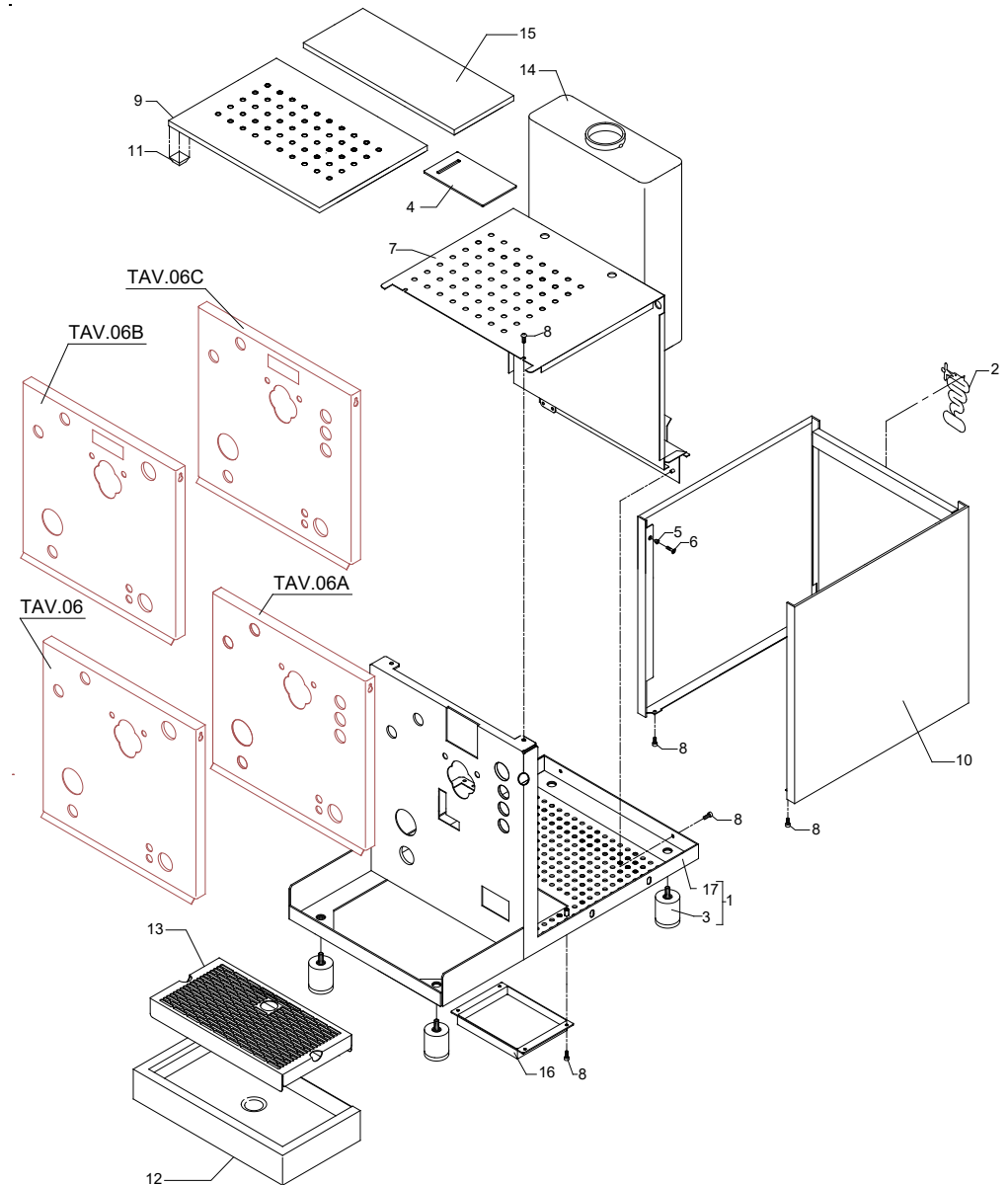
COD. 9942035.07

REV.03

POS	CODE	DESCRIPTION
1	5964610	ASSEMBLY CHASSIS DE BZ07
1	5964612	ASSEMBLY CHASSIS PM BZ07
2	5521512	LABLE "BEZZERA"
3	7474218	FEET M10 D40X46
4	5125705	SUPPORT
5	5220818	BUSHING D10 X 4.2 OT
6	7817004	SCREW TPS M4X10 DIN 963 A2
7	5963068.02LL	TANK SUPPORT T.PID
7	5963086.02	TANK SUPPORT
8	7816004	SCREW TCEI M4 X 16
9	5074621LW	CUPS-HEATER GRID BZ07 BA
10	5071733LL	BODY STAINLESS STEEL POLISHED
11	7474217	ADHESIVE FEET 12,7 H5,8
12	5340510	DRIP TRAY
13	5074622LW	DRAIN GRID
14	7373009	TANK 3 LT. CAPACITY
15	5073020LW	TRAY COVER STAINLESS
16	5373102.01	HEATING ELEMENT PROTECTION
17	5964595.01	ASSEMBLY CHASSIS PM BZ07 WHIT DUAL GAUGE SCALE
17	5964596.01	ASSEMBLY CHASSIS DE BZ07 WHIT DUAL GAUGE SCALE

TABLE 1 (up to 31.11.15)

TABLE 1 (up to 31.11.15)



	POS	CODE	DESCRIPTION
TABLE 1 (up to 01.12.15)	1	5964596.02	ASSEMBLY CHASSIS DE BZ07
	1	5964595.02	ASSEMBLY CHASSIS PM BZ07
	2	5521512	LABLE "BEZZERA"
	3	7474218	FEET M10 D40X46
	4	5125705	SUPPORT
	5	5373102.01	HEATING ELEMENT PROTECTION
	6	5073020LW	TRAY COVER STAINLESS
	7	5963068.03LL	TANK SUPPORT T.PID
	7	5963086.03	TANK SUPPORT
	8	7816004	SCREW TCEI M4 X 16
	9	5074621LW	CUPS-HEATER GRID BZ07 BA
	10	5071733LL	BODY STAINLESS STEEL POLISHED
	11	7474217	ADHESIVE FEET 12,7 H5,8
	12	5340510	DRIP TRAY
13	5074622LW	DRAIN GRID	
14	7373009	TANK 3 LT. CAPACITY	

TABLE 1(from 01.12.15)

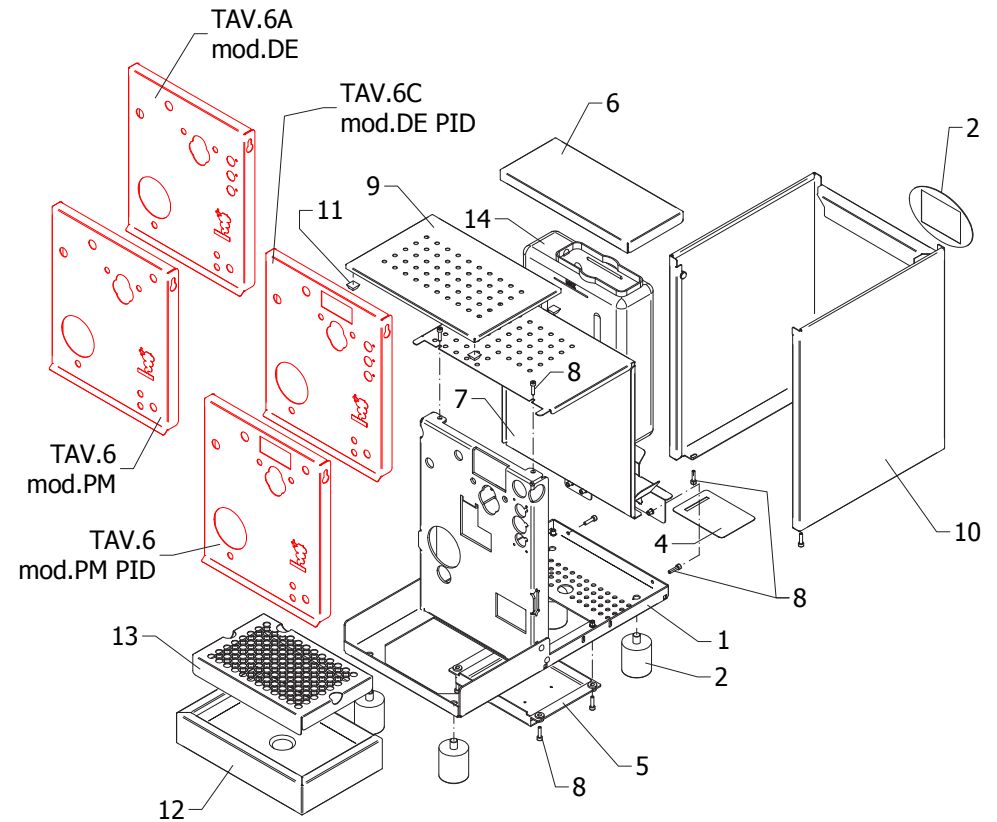


TABLE 2 (up to 30.09.08)

POS	CODE	DESCRIPTION
1	5283041	SURPRESSION VALVE BODY
2	7496018	OR GASKET 105 VITON
3	5224615TP	GASKET-HOLDER
4	5471506.01	CALIBRATED SPRING D1 H26 AISI 302
5	5471505	CALIBRATED SPRING D0.45 H22 AISI 302
6	5302017TP	STRAIGHT FITTING M12 H26.5 OT
7	5493001	GASKET D8 X 4 EPT 70SH
8	5224609	GASKET-HOLDER D5.3
9	5222201	SPACER D16X12.2 H6.7 OT
10	5302016	FITTING M12XM10
11	5965036.01	ASSEMBLY SURPRESSION VALVE
12	5221844	NUT 1/8"G H3
13	7304514TR	FITTING
14	7496018	OR GASKET 105 VITON
15	7452512	VALVE
16	7496085	OR GASKET D7.2X1.9 NBR 70SH
17	7304507TR	UNION ELBOW 1/8"G MF OT
18	5225411TP	FITTING 1/8"G MF
19	5301504TR	UNION ELBOW 1/8"G X M12
20	5162303LL	BOILER LOAD HOSE
21	7630328	SOLENOID VALVE COIL 220/230V PARKER
21	7630327	SOLENOID VALVE COIL 110V PARKER
21	7630329	SOLENOID VALVE COIL 240V PARKER
22	7702310	SOLENOID VALVE 2 WAY 230V PARKER
22	7701111	SOLENOID VALVE 2 WAY 115V PARKER
22	7702409	SOLENOID VALVE 2 WAY 240V PARKER
23	5194586	HOSE 8X5 L=200 SILICONE
24	7303033	FITTING "Y"
25	5194610	HOSE 6X4 L=250 SILICONE
26	5194571	HOSE D6X4X1 L=200 SILICONE

TABLE 2 (up to 30.09.08)

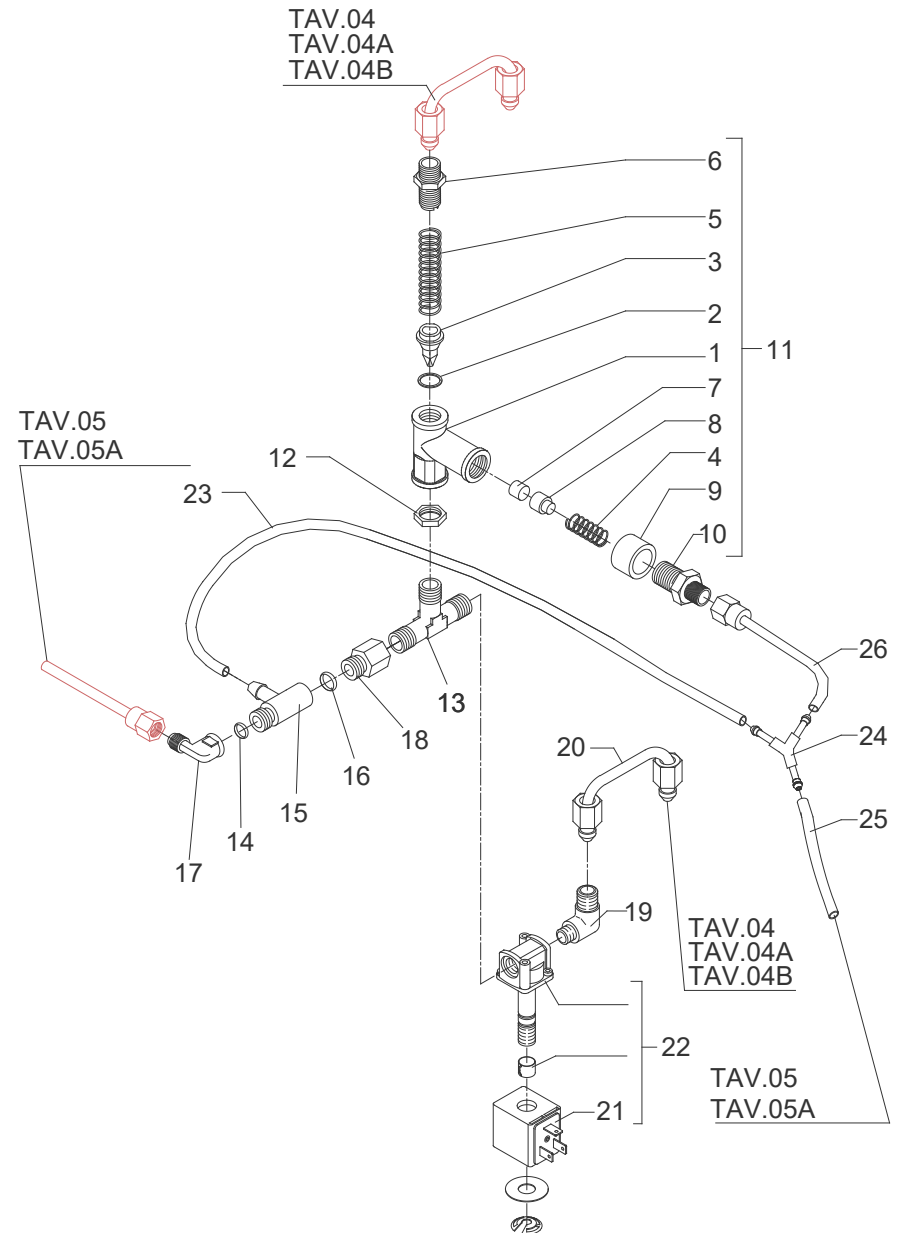


TABLE 2 (up to 18.03.13)

POS	CODE	DESCRIPTION
1	5283049	SURPRESSION VALVE BODY
2	7496018	OR GASKET 105 VITON
3	5224615TP	GASKET-HOLDER
4	5471506.01	CALIBRATED SPRING D1 H26 AISI 302
5	5471505	CALIBRATED SPRING D0.45 H22 AISI 302
6	5302017TP	STRAIGHT FITTING M12 H26.5 OT
7	5493001	GASKET D8 X 4 EPT 70SH
8	5224619TP	GASKET-HOLDER
9	7496052	OR GASKET 114
10	5302072	RUBBER-HOLDER FITTING
11	5965165	ASSEMBLY SURPRESSION VALVE 12BAR
12	5221844	NUT 1/8"G H3
13	7304514TR	FITTING
14	7496018	OR GASKET 105 VITON
15	7452512	VALVE
16	7496085	OR GASKET D7.2X1.9 NBR 70SH
17	7304507TR	UNION ELBOW 1/8"G MF OT
18	5225411TP	FITTING 1/8"G MF
19	5301504TR	UNION ELBOW 1/8"G X M12
20	5162303.01LL	BOILER LOAD HOSE
21	7630328	SOLENOID VALVE COIL 220/230V PARKER
21	7630327	SOLENOID VALVE COIL 110V PARKER
21	7630329	SOLENOID VALVE COIL 240V PARKER
22	7702310	SOLENOID VALVE 2 WAY 230V PARKER
22	7701111	SOLENOID VALVE 2 WAY 115V PARKER
22	7702409	SOLENOID VALVE 2 WAY 240V PARKER
23	5194586	HOSE 8X5 L=200 SILICONE
24	7303033	FITTING "Y"
25	5194610	HOSE 6X4 L=250 SILICONE
26	5194571	HOSE D6X4X1 L=200 SILICONE

TABLE 2 (up to 18.03.13)

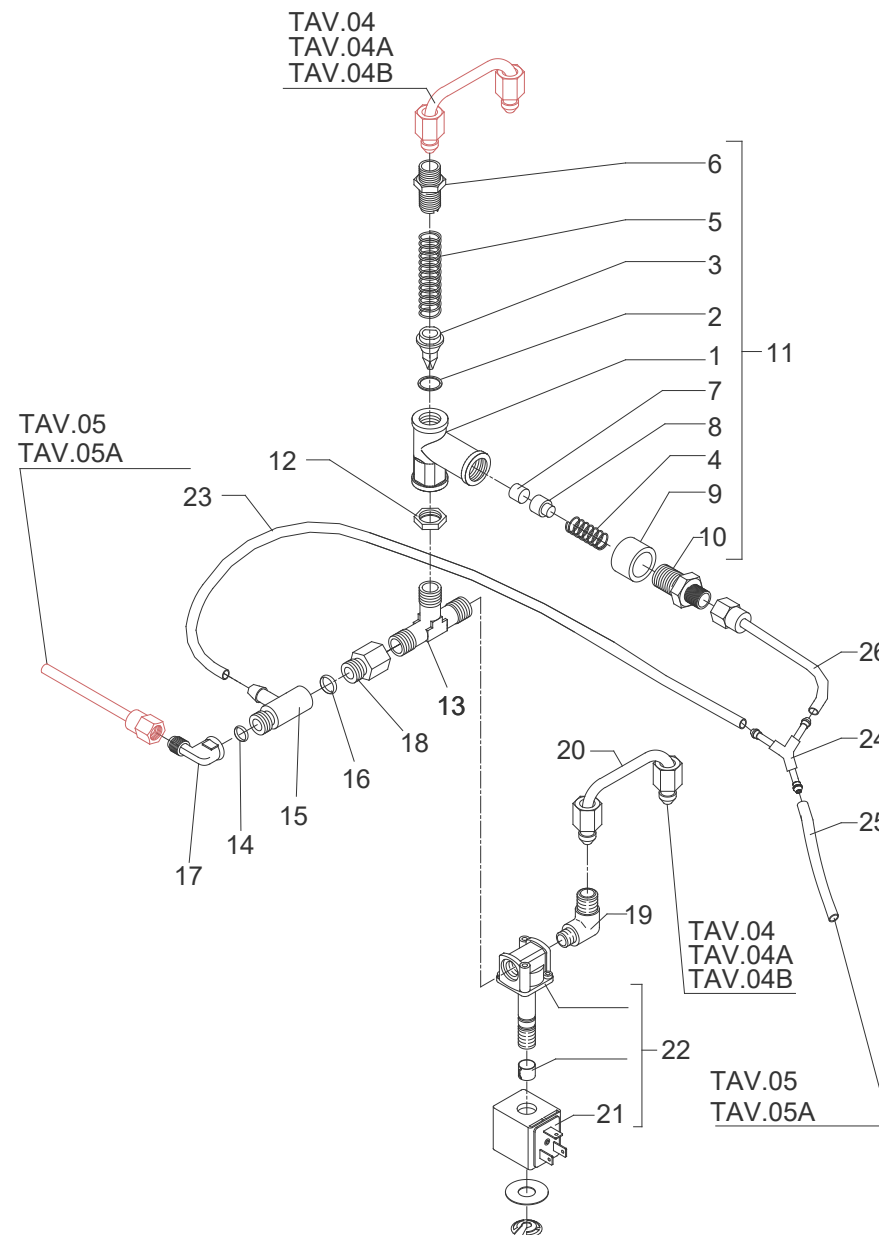


TABLE 2(from 19.03.13)

POS	CODE	DESCRIPTION
1	5283053TP	SURPRESSION VALVE BODY
2	7496018	OR GASKET 105 VITON
3	5224615TP	GASKET-HOLDER
4	5471539	CALIBRATED SPRING D.1,6
5	5471505	CALIBRATED SPRING D0.45 H22 AISI 302
6	5302017TP	STRAIGHT FITTING M12 H26.5 OT
7	5493042	GASKET D.11X3
8	5224620TP	GASKET-HOLDER
9	7496052	OR GASKET 114
10	5302077TP	RUBBER-HOLDER FITTING
11	5965212.01AL	ASSEMBLY SURPRESSION VALVE 12BAR
12	5221844	NUT 1/8"G H3
13	7304514TR	FITTING
14	7496018	OR GASKET 105 VITON
15	7452512	VALVE
16	7496085	OR GASKET D7.2X1.9 NBR 70SH
17	7304507TR	UNION ELBOW 1/8"G MF OT(up to 13.12.15)
17	7303034TR	UNION ELBOW 1/8"G MF OT(from 14.12.15)
18	5225411TP	FITTING 1/8"G MF
19	5301504TR	UNION ELBOW 1/8"G X M12
20	5162303.01LL	BOILER LOAD HOSE
21	7630328	SOLENOID VALVE COIL 220/230V PARKER
21	7630327	SOLENOID VALVE COIL 110V PARKER
21	7630329	SOLENOID VALVE COIL 240V PARKER
22	7702310	SOLENOID VALVE 2 WAY 230V PARKER
22	7701111	SOLENOID VALVE 2 WAY 115V PARKER
22	7702409	SOLENOID VALVE 2 WAY 240V PARKER
23	5194571	HOSE D6X4X1 L=200 SILICONE
24	7303033	FITTING "Y"
25	5194610	HOSE 6X4 L=250 SILICONE
26	5194571	HOSE D6X4X1 L=200 SILICONE
27	7303006	RUBBER-HOLDER FITTING
28	5471019	INOX WIRE FILER D8,5X5 AISI304

TABLE 2 (from 19.03.13)

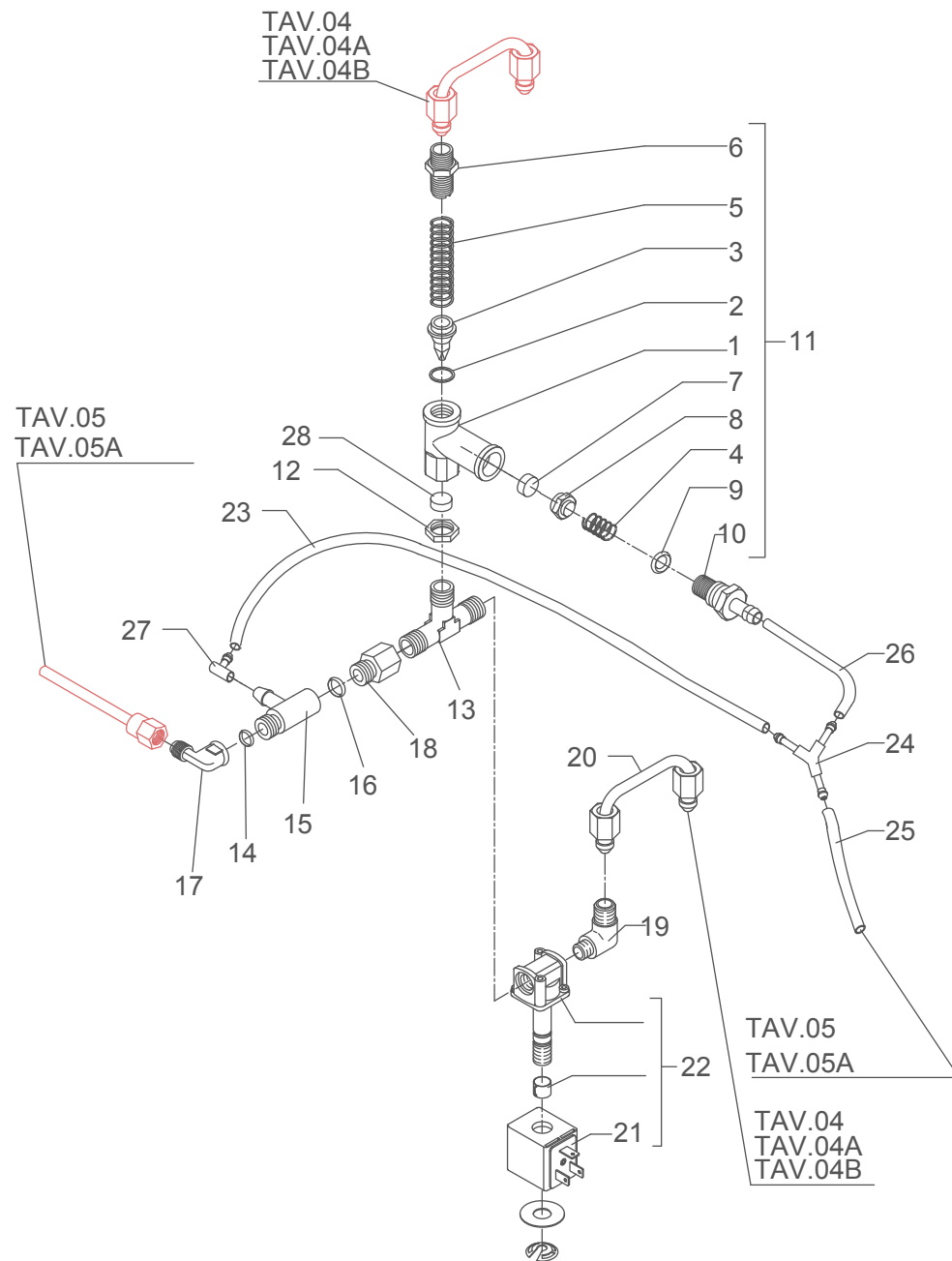


TABLE 3(up to 30.11.08)

TABLE 3 (up to 30.11.08)

POS	CODE	DESCRIPTION
1	7371511.01	LEVER KNOB
2	5222823CM	RING NUT 3/8"G H17
3	5225608	ARTICULATION M8 INOX
4	5260203DL	SHAFT D12X47
5	5471513	SPRING
6	5261801	WASHER D11
7	5494004	GASKET D12 X 6 PTFE GRAPHITIZED
8	5221826CM	NUT 3/8"G ES.22X5
9	5283047TW	TAP BODY OT
10	5496042	GASKET D11X4X4 EPT 70 (C6)
11	5224603TP	GASKET-HOLDER
12	5964084AL	ASSEMBLY TAP
13	5225410TP	FITTING M14XM13 H26
14	5966548AL	ASSEMBLY WATER HOSE
15	7496072	OR GASKET 121
16	5471532	SPRING
17	5190501	COMPLETE CUP
18	5221872TW	NUT 3/8"G
19	7496073	OR GASKET 115 EP856
20	5225607TW	WATER HOSE CHROMED
21	7496003	OR GASKET 108 VITON
22	5226610TW	WATER HOSE TERMINAL D23.5X18 OT CHROMED
23	5493003	GASKET D20.5X15 H1.5 NBR 70SH
24	5226601TW	WATER HOSE TERMINAL M22 CHROMED
25	7479958	ASSEMBLY STEAM HOSE TERMINAL 4 HOLES
26	7371003	INSULATING
27	7496083	OR GASKET D4.5X1.5 NBR 70
28	7305010	TERMINAL 4 HOLES
29	7305013	TERMINAL 2 HOLES
30	7479975	ASSEMBLY STEAM HOSE TERMINAL 2 HOLES
31	5221872TW	NUT 3/8"G
32	7496073	OR GASKET 115 EP856
33	5963097.01	ASSEMBLY HEATING ELEMENT 110V
33	5963098.01	ASSEMBLY HEATING ELEMENT 220/240V
34	5221863CM	CAP NUT M8 CHROMED
35	7816014	SCREW M8X20 UNI5931 A2
36	7816001	SCREW TCEI M5X12 UNI5931 A2
37	5283046TW	DELIVERY GROUP BODY
38	7496004	OR GASKET 139
39	5280502TW	COUPLING RING OT CHROMED
40	7493016	GASKET H 9,3 NBR 75SH

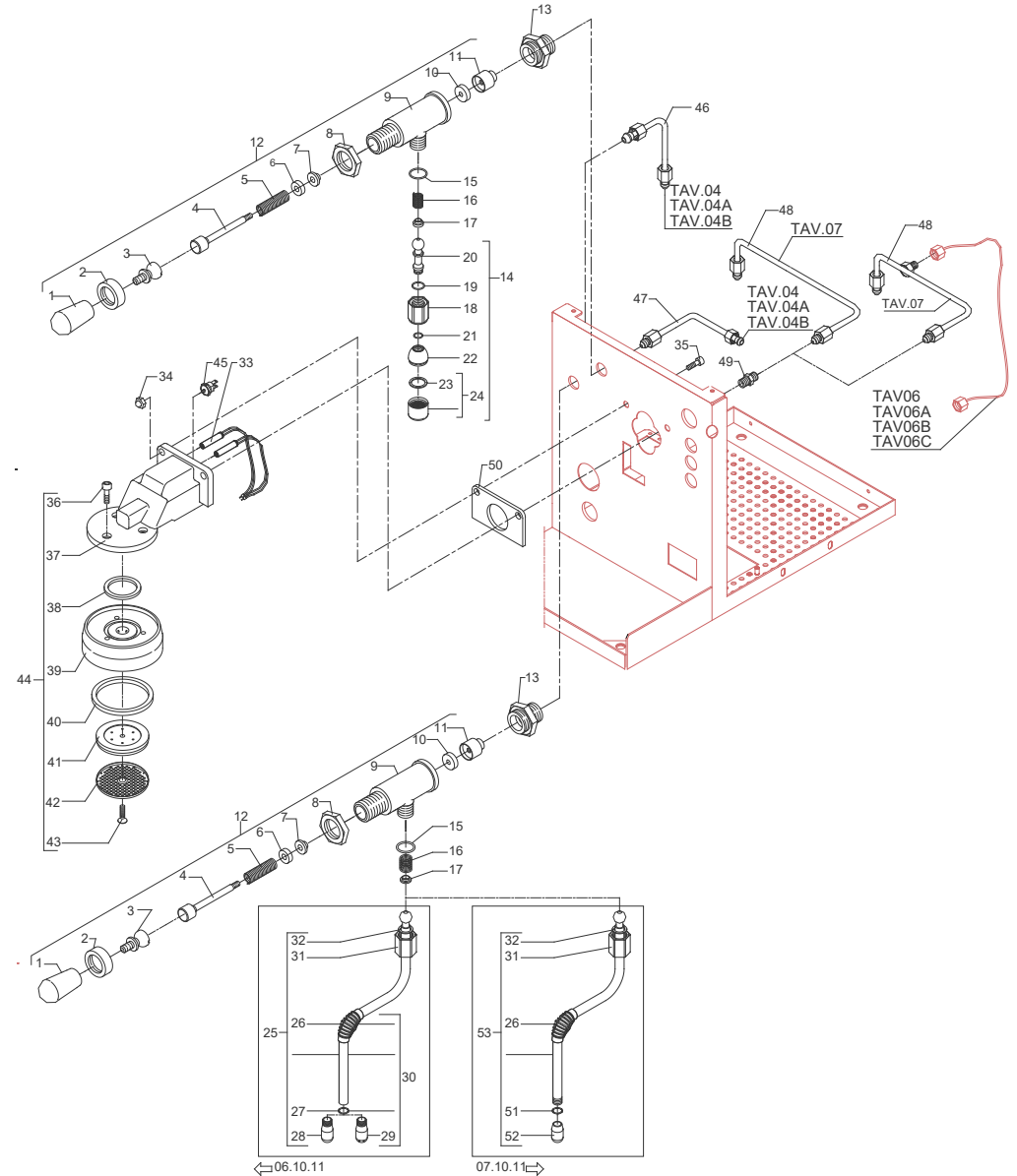


TABLE 3 8(up to 30.11.08)

41	5285501TP	SHOWER-HOLDER D57
42	5470501	SHOWER D57 AISI 304
43	7817001	SCREW TPS M5X16 A2
44	5963548.01AL	ASSEMBLY DELIVERY GROUP
45	7634808	THERMIC SAFETY DEVICE 250V 95°C AUTOMATIC
46	5162301LL	STEAM TAP HOSE
47	5162302LL	WATER TAP HOSE
48	5162305LL	GROUP-SOLENOID VALVE HOSE (from 01.01.12)
48	5162309LL	GROUP-SOLENOID VALVE HOSE WHIT DUAL GAUGE SCALE (up to 31.12.11)
49	7304502TR	STRAIGHT FITTING 1/8"G
50	7493013	INSULATING
51	7496084	GASKET
52	7305014	TERMINAL 2 HOLES
53	7479990TW	ASSEMBLY STEAM HOSE TERMINAL 2 HOLES

TABLE 3 (up to 30.11.08)

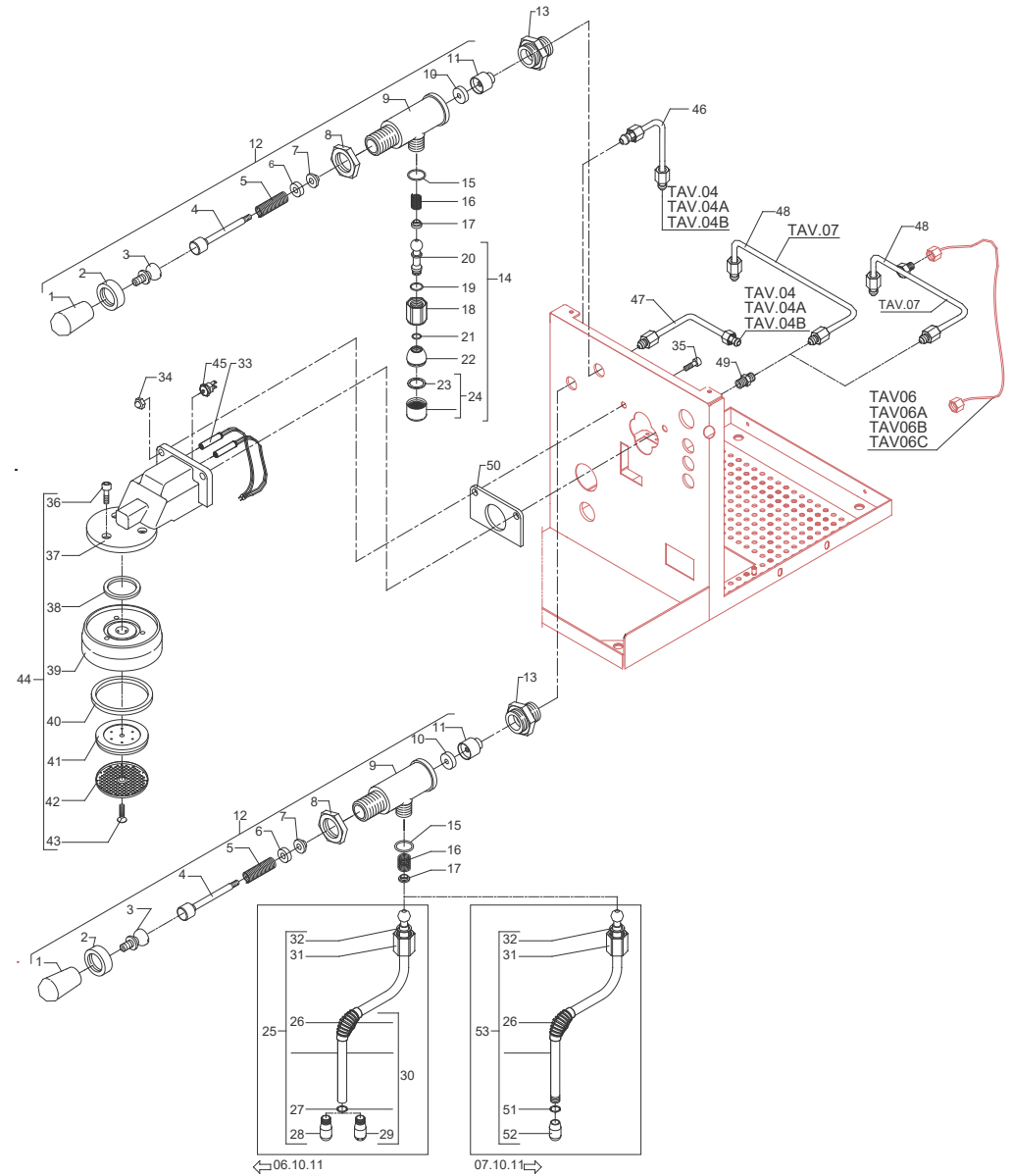


TABLE 3 (up to 28.01.14)

POS	CODE	DESCRIPTION
1	7371511.01	LEVER KNOB
2	5222823CM	RING NUT 3/8"G H17
3	5225608	ARTICULATION M8 INOX
4	5260203DL	SHAFT D12X47
5	5471513	SPRING
6	5261801	WASHER D11
7	5494004	GASKET D12 X 6 PTFE GRAPHITIZED
8	5221826CM	NUT 3/8"G ES.22X5
9	5283047TW	TAP BODY OT
10	5496042	GASKET D11X4X4 EPT 70 (C6)
11	5224603TP	GASKET-HOLDER
12	5964084AL	ASSEMBLY TAP
13	5225410TP	FITTING M14XM13 H26
14	5966548AL	ASSEMBLY WATER HOSE
15	7496072	OR GASKET 121
16	5471532	SPRING
17	5190501	COMPLETE CUP
18	5221872TW	NUT 3/8"G
19	7496073	OR GASKET 115 EP856
20	5225607TW	WATER HOSE CHROMED
21	7496003	OR GASKET 108 VITON
22	5226610TW	WATER HOSE TERMINAL D23.5X18 OT CHROMED
23	5493003	GASKET D20.5X15 H1.5 NBR 70SH
24	5226601TW	WATER HOSE TERMINAL M22 CHROMED
25	7479958	ASSEMBLY STEAM HOSE TERMINAL 4 HOLES
26	7371003	INSULATING
27	7496083	OR GASKET D4.5X1.5 NBR 70
28	7305010	TERMINAL 4 HOLES
29	7305013	TERMINAL 2 HOLES
30	7479975	ASSEMBLY STEAM HOSE TERMINAL 2 HOLES
31	5221872TW	NUT 3/8"G
32	7496073	OR GASKET 115 EP856
33	5963097.01	ASSEMBLY HEATING ELEMENT 110V
33	5963098.01	ASSEMBLY HEATING ELEMENT 220/240V
34	5221863CM	CAP NUT M8 CHROMED
35	7816014	SCREW M8X20 UNI5931 A2
36	7816001	SCREW TCEI M5X12 UNI5931 A2
37	5283046TW	DELIVERY GROUP BODY
38	7496004	OR GASKET 139
39	5280502TW	COUPLING RING OT CHROMED
40	7493016	GASKET H 9,3 NBR 75SH
41	5285501TP	SHOWER-HOLDER D57

TABLE 3 (up to 28.01.14)

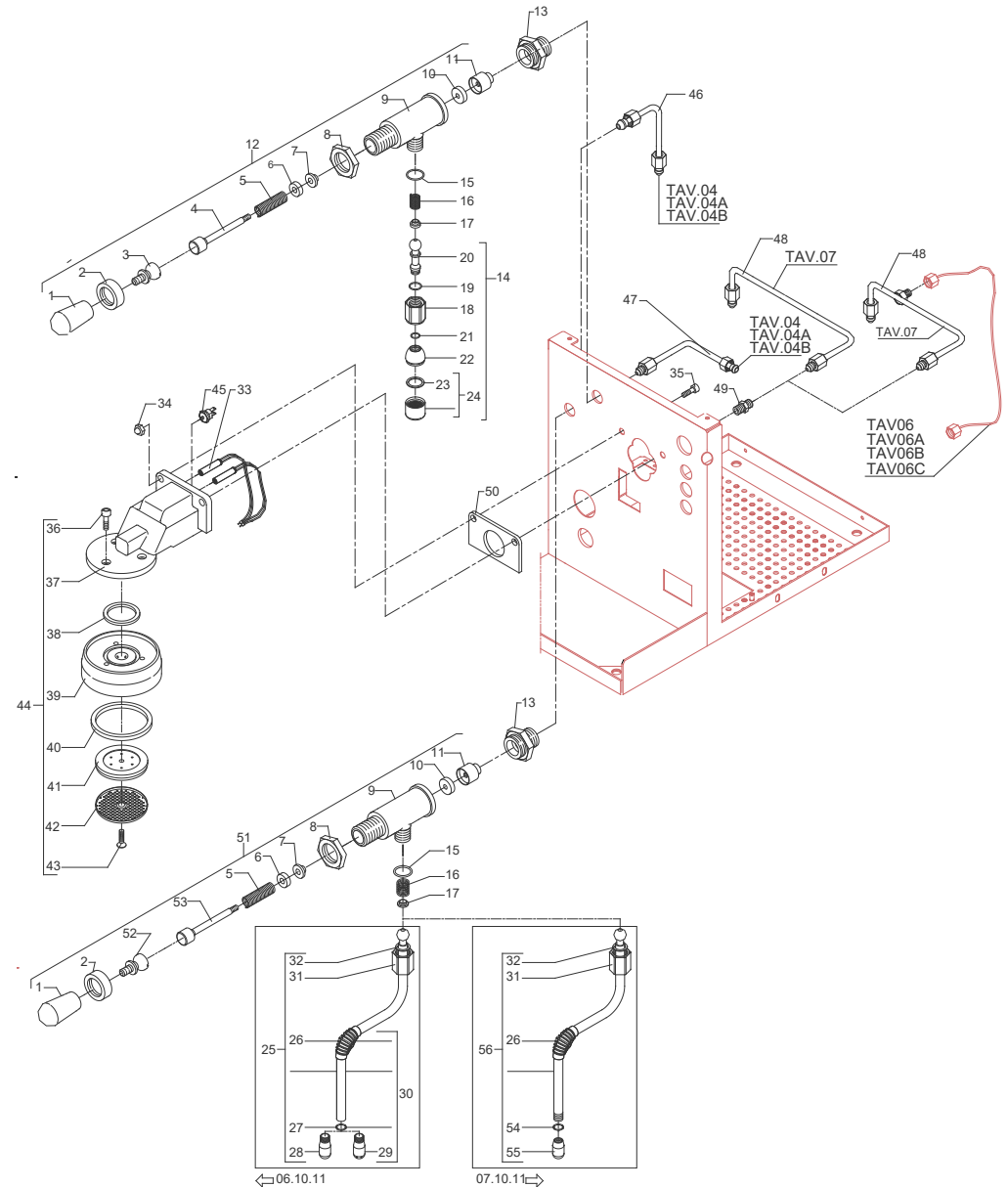


TABLE 3 (up to 28.01.14)

42	5470501	SHOWER D57 AISI 304
43	7817001	SCREW TPS M5X16 A2
44	5963548.01AL	ASSEMBLY DELIVERY GROUP
45	7634808	THERMIC SAFETY DEVICE 250V 95°C AUTOMATIC
46	5162301LL	STEAM TAP HOSE
47	5162302LL	WATER TAP HOSE
48	5162305LL	GROUP-SOLENOID VALVE HOSE (from 01.01.12)
48	5162309LL	GROUP-SOLENOID VALVE HOSE WHIT DUAL GAUGE SCALE (up to 31.12.11)
49	7304502TR	STRAIGHT FITTING 1/8"G
50	7493013	INSULATING
51	5964085AL	ASSEMBLY TAP
52	5225610	ARTICULATION M8 INOX
53	5260204DL	SHAFT D12X47
54	7496084	GASKET
55	7305014	TERMINAL 2 HOLES
56	7479990TW	ASSEMBLY STEAM HOSE TERMINAL 2 HOLES

TABLE 3 (up to 28.01.14)

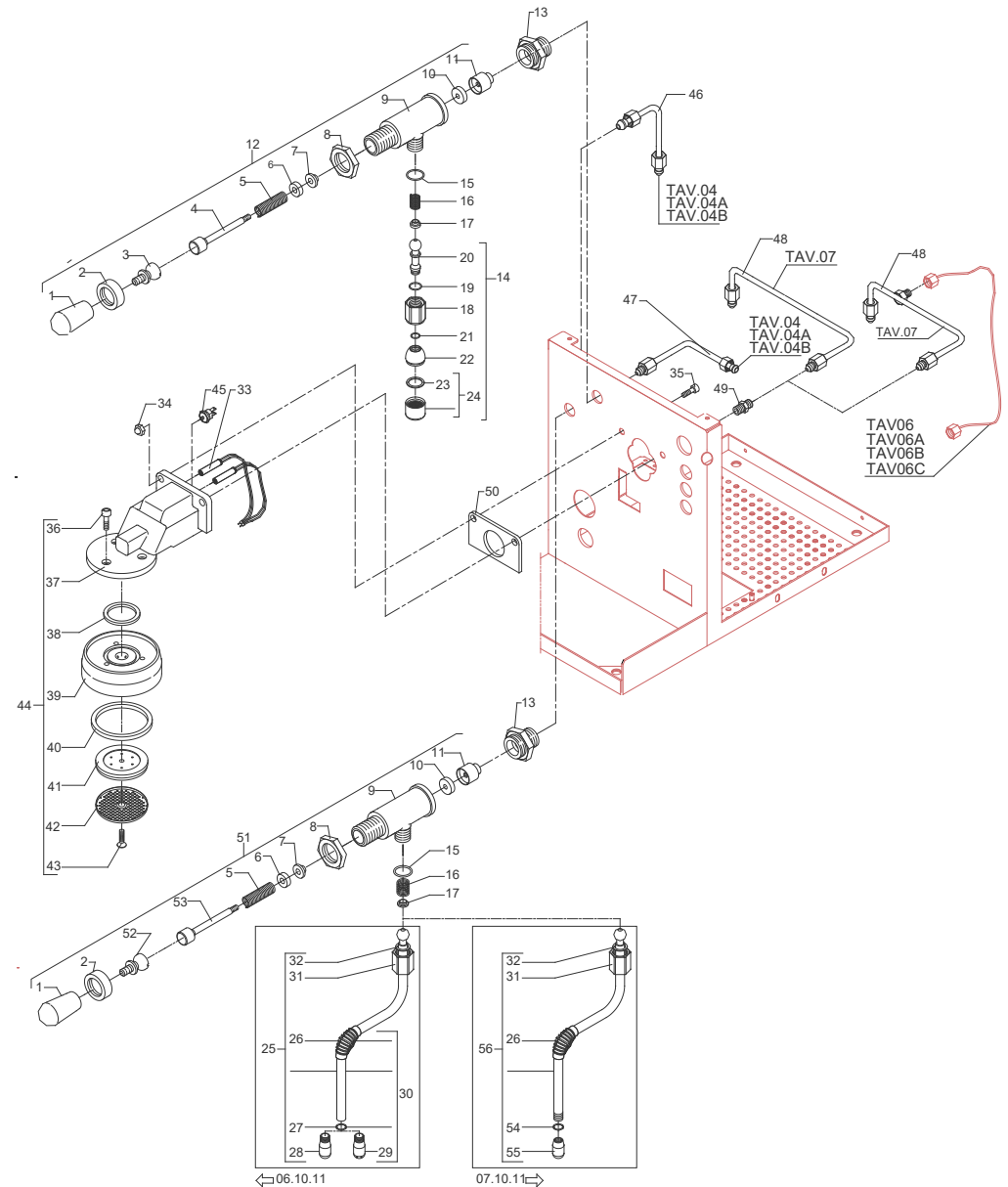


TABLE 3(from 29.01.14)

POS	CODE	DESCRIPTION
1	7371511.01	LEVER KNOB
2	5222823CM	RING NUT 3/8"G H17
3	5225608	ARTICULATION M8 INOX
4	5260203DL	SHAFT D12X47
5	5471513	SPRING
6	5261801	WASHER D11
7	5494004	GASKET D12 X 6 PTFE GRAPHITIZED
8	5221826CM	NUT 3/8"G ES.22X5
9	5283055TW	TAP BODY OT FOR OR
10	5496042	GASKET D11X4X4 EPT 70 (C6)
11	5224603TP	GASKET-HOLDER
12	5964084.01AL	ASSEMBLY TAP WITH OR
14	5966548.02AL	ASSEMBLY WATER HOSE
15	7496072	OR GASKET 121
16	5471532	SPRING
17	5190501	COMPLETE CUP
18	5226601TW	WATER HOSE TERMINAL M22 CHROMED
19	5493003	GASKET D20.5X15 H1.5 NBR 70SH
20	7999918	CARTRIDGE AERATOR
21	7479990.01TW	ASSEMBLY STEAM HOSE TERMINAL 2 HOLES
22	5494017	GASKET
23	5221872TW	NUT 3/8"G
24	7371003	INSULATING
25	7496084	GASKET
26	7305014	TERMINAL 2 HOLES
33	5963097.01	ASSEMBLY HEATING ELEMENT 110V
33	5963098.01	ASSEMBLY HEATING ELEMENT 220/240V
34	5221863CM	CAP NUT M8 CHROMED
35	7816014	SCREW M8X20 UNI5931 A2
36	7816001	SCREW TCEI M5X12 UNI5931 A2
37	5283046TW	DELIVERY GROUP BODY
38	7496004	OR GASKET 139
39	5280502TW	COUPLING RING OT CHROMED
40	7496092	GASKET OR 55X8,1 NBR75SH PEROX
41	5285501TP	SHOWER-HOLDER D57
42	5470501	SHOWER D57 AISI 304
43	7817001	SCREW TPS M5X16 A2
44	5963548.02AL	ASSEMBLY DELIVERY GROUP
45	7634808	THERMIC SAFETY DEVICE 250V 95°C AUTOMATIC
46	5162301LL	STEAM TAP HOSE
47	5162302LL	WATER TAP HOSE
48	5162305LL	GROUP-SOLENOID VALVE HOSE
49	7304502TR	STRAIGHT FITTING 1/8"G
50	7493013	INSULATING
51	5964085.01AL	ASSEMBLY TAP WITH OR
52	5225610	ARTICULATION M8 INOX
53	5260204DL	SHAFT D12X47
57	7496052	OR GASKET 114
58	5225416TP	FITTING M14X1 WHIT OR

TABLE 3 (from 29.01.14)

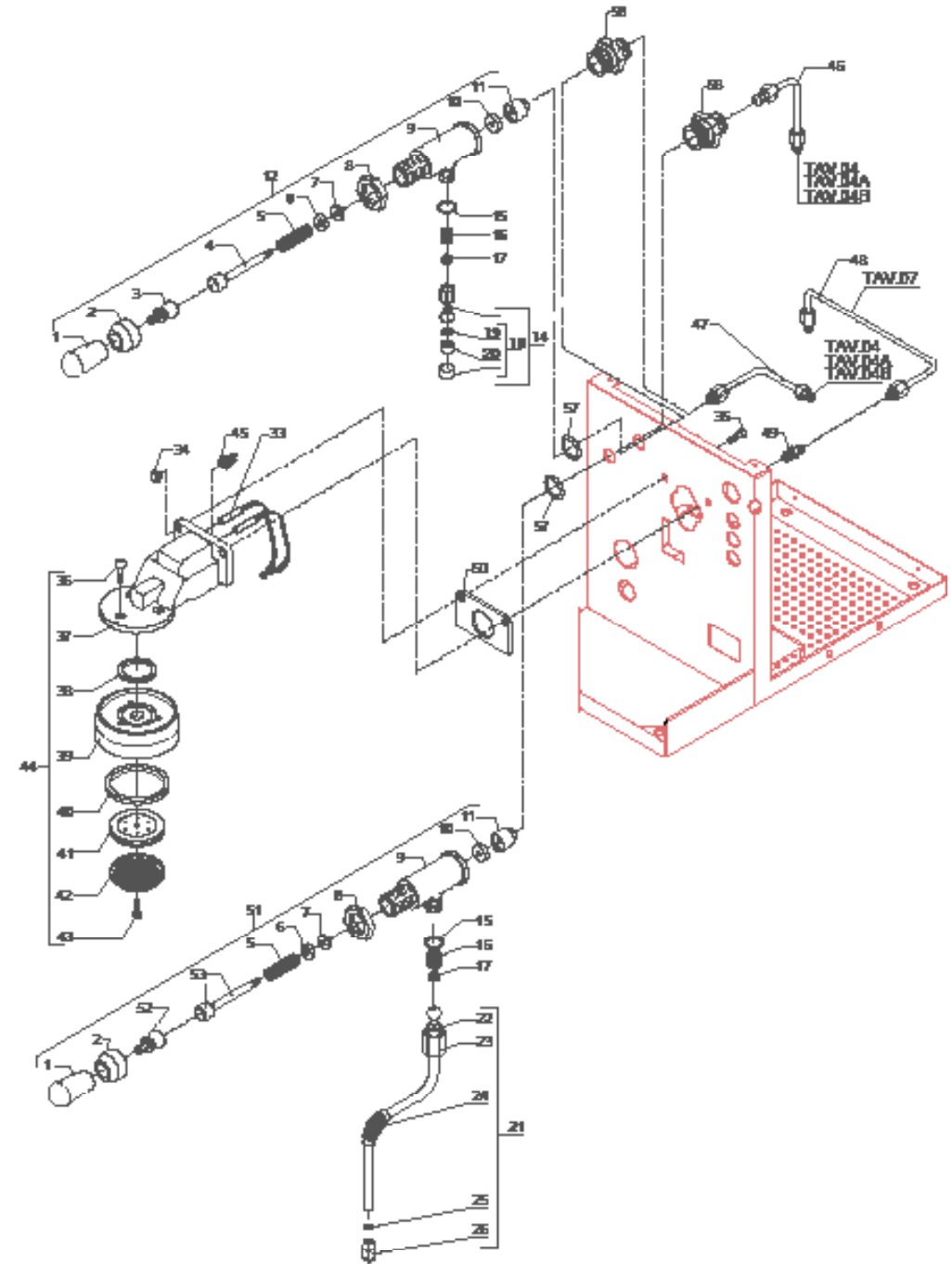


TABLE 4

POS	CODE	DESCRIPTION
1	5162185.01LL	EXCHANGER-GROUP SOLENOID VALVE HOSE
2	5192301	SUCTION HOSE D6 L=130MM PTFE
3	5162302LL	WATER TAP HOSE
4	5162304LL	EXCHANGER LOAD HOSE
5	7304502TR	STRAIGHT FITTING 1/8"G
6	5329019DC-AL	ASSEMBLY EXCHANGER HOSE POLISHED
7	5302006TP	STRAIGHT FITTING 1/8"G X M12
8	5495007	GASKET D32 X 3 BRASS
9	7433020	PRESSURE SWITCH COMPOUND 110V (from 17.03.10)
9	7433021	PRESSURE SWITCH COMPOUND 230V (from 27.05.10)
9	7433022	PRESSURE SWITCH COMPOUND 240V (from 27.05.10)
10	5302070TP	FITTING 3/8"GX1/4"G
11	5301506TR	UNION ELBOW M13X1/4"GC
12	5162301LL	STEAM TAP HOSE
13	5162203.02LL	PRESSURE SWITCHHOSE
14	7433016R	PRESSURE SWITCH+ RELAY KIT 110V (up to 16.03.10)
14	7433017R	PRESSURE SWITCH+ RELAY KIT 230V (up to 26.05.10)
14	7433019R	PRESSURE SWITCH+ RELAY KIT 240V (up to 26.05.10)
15	7611504	CLAMP
16	7400902	BOYLER-MANOMETER CAPILLARY
17	5194616	HOSE 5X3 L=500 SILICONE
18	7304514TR	FITTING
19	5194549	HOSE D8X5 L=350 SILICONE
20	7611504	CLAMP
21	7303033	FITTING "Y"

TABLE 4

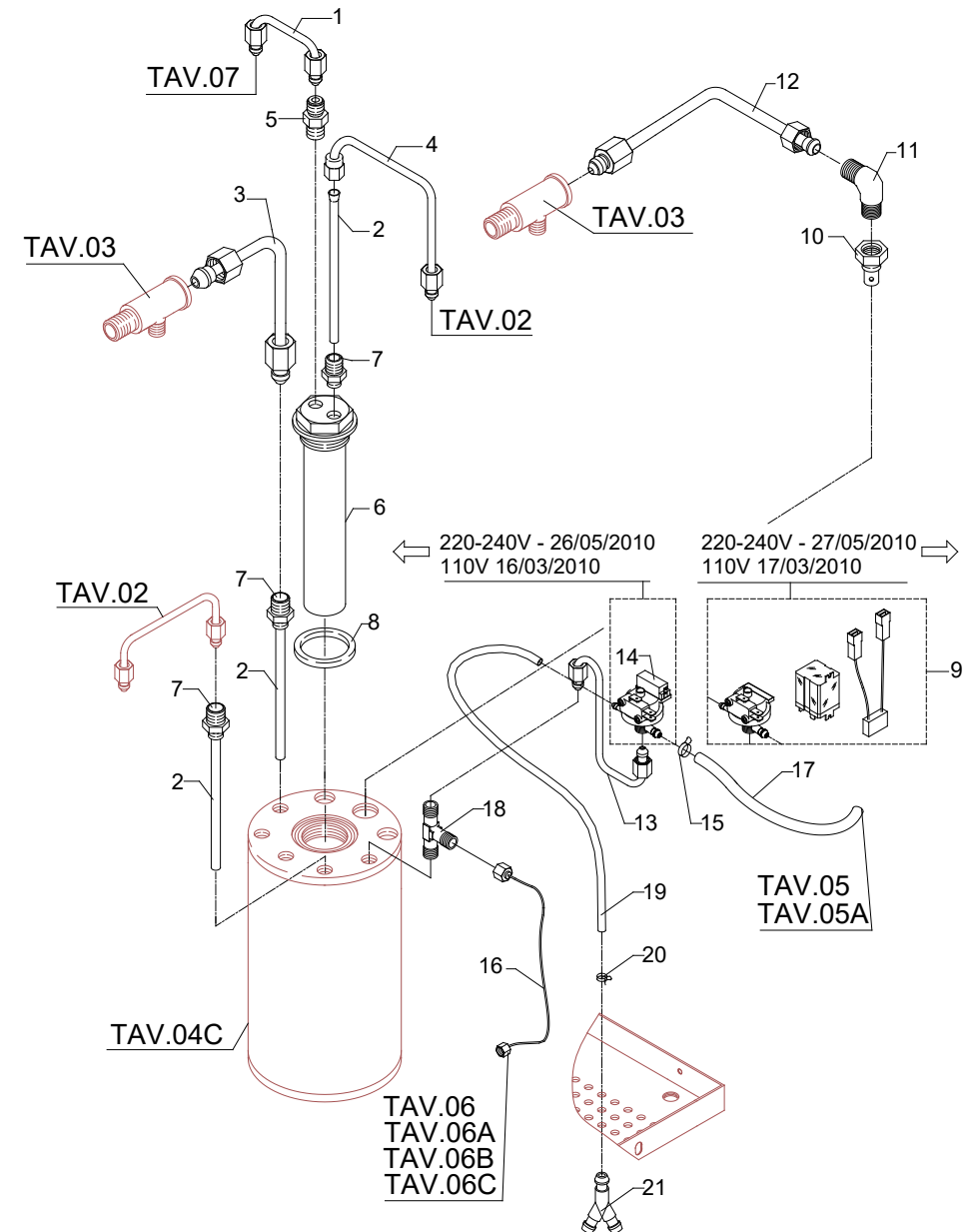
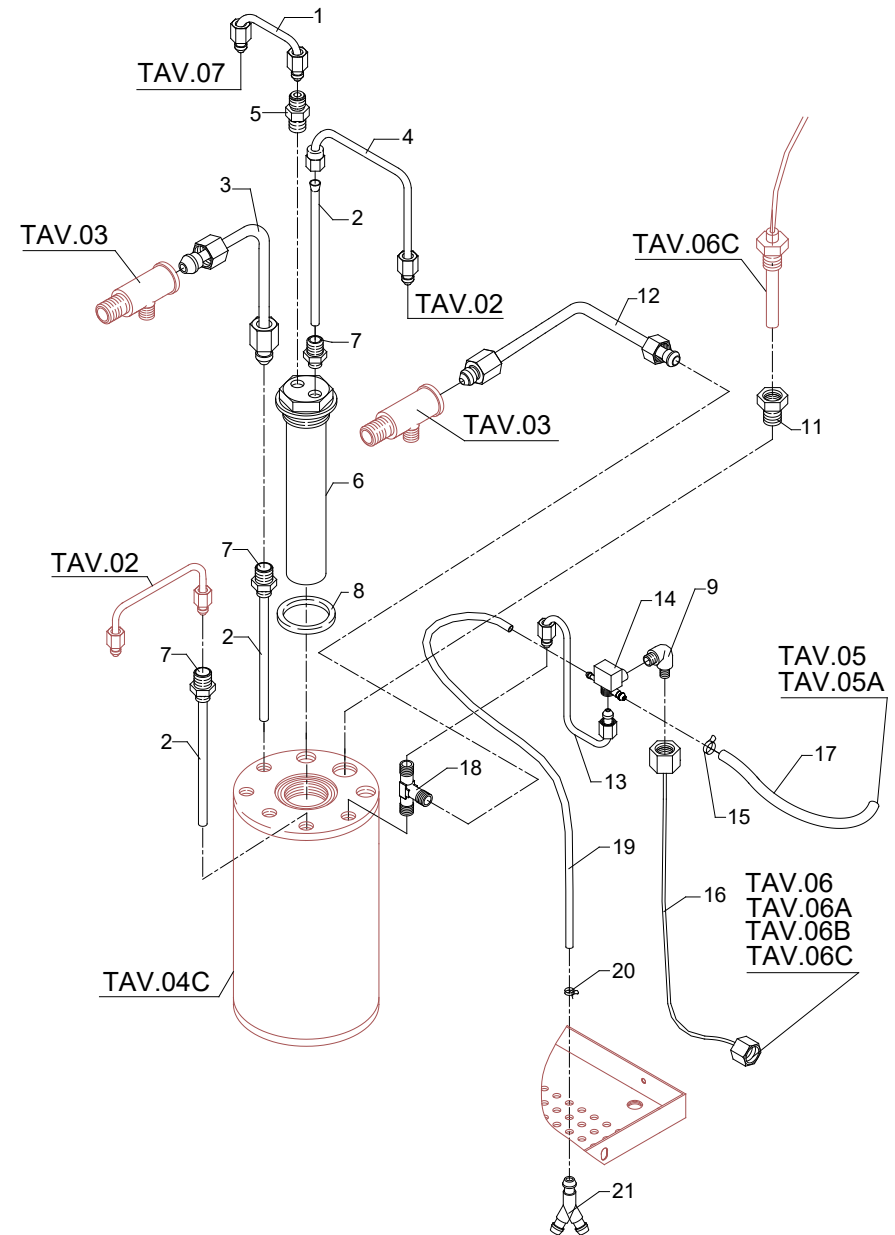


TABLE 4A Mod. DE PID

POS	CODE	DESCRIPTION
1	5162185.01LL	EXCHANGER-GROUP SOLENOID VALVE HOSE
2	5192301	SUCTION HOSE D6 L=130MM PTFE
3	5162302LL	WATER TAP HOSE
4	5162304LL	EXCHANGER LOAD HOSE
5	7304502TR	STRAIGHT FITTING 1/8"G
6	5329019DC-AL	ASSEMBLY EXCHANGER HOSE POLISHED
7	5302006TP	STRAIGHT FITTING 1/8"G X M12
8	5495007	GASKET D32 X 3 BRASS
9	7303004TR	UNION ELBOW 1/4"G X 1/8"G
11	5225412	FITTING
12	5162315LL	STEAM TAP HOSE PID
13	5162203.02LL	PRESSURE SWITCHHOSE
14	7433018	VALVE BODY
15	7611504	CLAMP
16	7400902	BOYLER-MANOMETER CAPILLARY
17	5194616	HOSE 5X3 L=500 SILICONE
18	7304514TR	FITTING
19	5194549	HOSE D8X5 L=350 SILICONE
20	7611504	CLAMP
21	7303033	FITTING "Y"

TABLE 4A Mod. DE PID



POS	CODE	DESCRIPTION
1	5162185.01LL	EXCHANGER-GROUP SOLENOID VALVE HOSE
2	5192301	SUCTION HOSE D6 L= 130MM PTFE
3	5162302LL	WATER TAP HOSE
4	5162304LL	EXCHANGER LOAD HOSE
5	7304502TR	STRAIGHT FITTING 1/8"G
6	5329019DC-AL	ASSEMBLY EXCHANGER HOSE POLISHED
7	5302006TP	STRAIGHT FITTING 1/8"G X M12
8	5495007	GASKET D32 X 3 BRASS
9	5226405TP	PLUG 1/4"G ES.16 H13 OT
10	5302070TP	FITTING 3/8"GX1/4"G
11	5301506TR	UNION ELBOW M13X1/4"GC
12	5162301LL	STEAM TAP HOSE
13	5162203.02LL	PRESSURE SWITCHHOSE
14	7433018	VALVE BODY
15	7611504	CLAMP
16	7400902	BOYLER-MANOMETER CAPILLARY
17	5194616	HOSE 5X3 L=500 SILICONE
18	7304514TR	FITTING
19	5194549	HOSE D8X5 L=350 SILICONE
20	7611504	CLAMP
21	7303033	FITTING "Y"

TABLE 4B Mod. PM PID

TABLE 4B Mod. PM PID

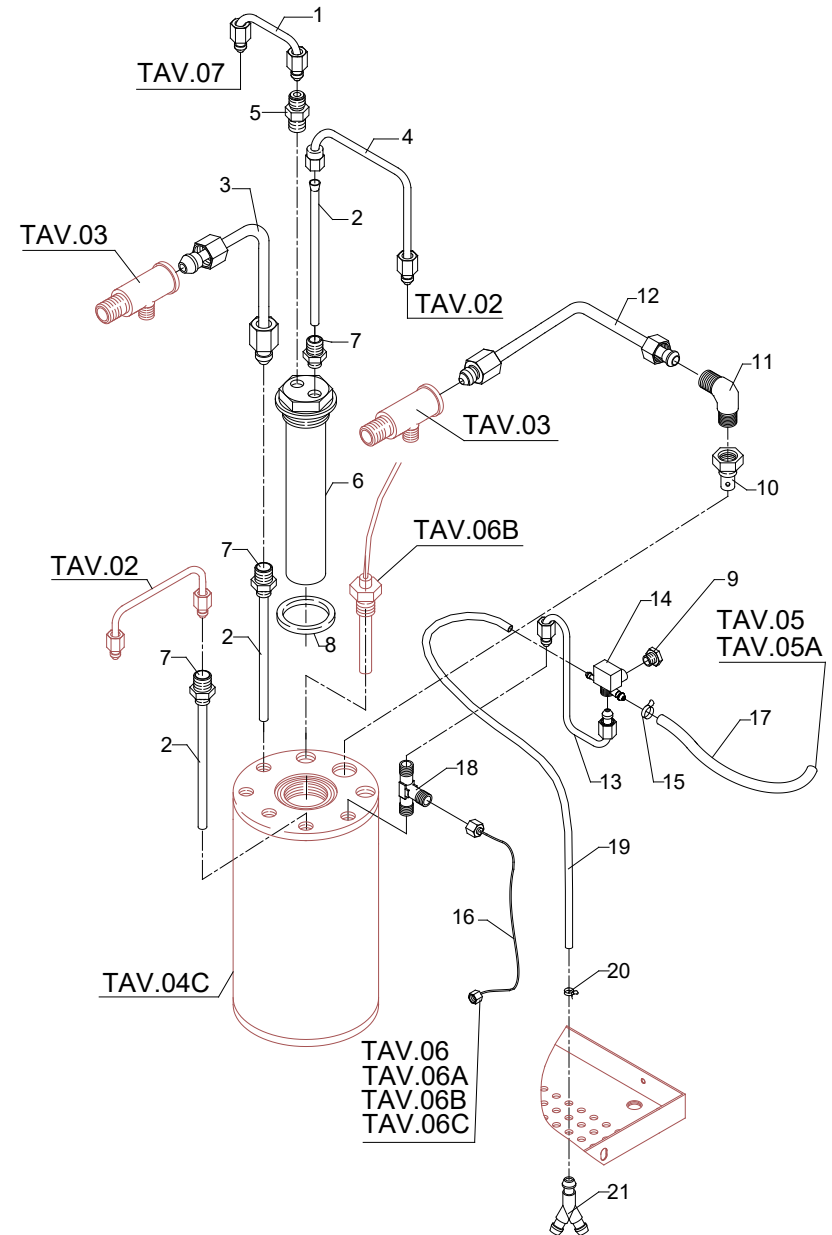


TABLE 4C (up to 30.04.10)

POS	CODE	DESCRIPTION
1	5226405TP	PLUG 1/4"G ES.16 H13 OT
2	5265804	LEVEL PROBE 1GR D3 X 110 X 6.3
3	5225205	STRAIGHT FITTING M10 OT
4	5192001	PROBE SHEATH D8 X 45 HOLE D3 PTFE
5	5225209TP	STRAIGHT FITTING 1/4"G X M10 OT
6	5265811	LEVEL PROBE D3X160X4.8
8	7434009	THERMOSTAT MANUAL 16A 135°C
9	5320520.01TP	BOILER
10	7816409	SCREW TE M4X8 UNI 5739 A2
11	7496040	OR GASKET D73 X 3 VITON
12	5721128TP	HEATING ELEMENT 120V W1200
12	5722239TP	HEATING ELEMENT 220/240V W1100-1300
13	7816422	SCREW TE M6X14 UNI 5739 OT
14	7825003	WASHER D5X1 UNI 6592 OT
15	7634813	THERMIC SAFETY DEVICE 250V 115°C
16	7822603	NUT M4
17	7492003	GASKET D6.5
18	7663573	GROUND WIRE
19	7814001	WASHER Ø 4
20	7826402	SCREW TE M4X16 UNI 5739 OT
21	5226411TP	PLUG 1/8"G ES.12 H10 HOLE M4 OT
22	7825003	WASHER D5X1 UNI 6592 OT
23	7816002	SCREW TCEI M4X12

TABLE 4C (up to 30.04.10)

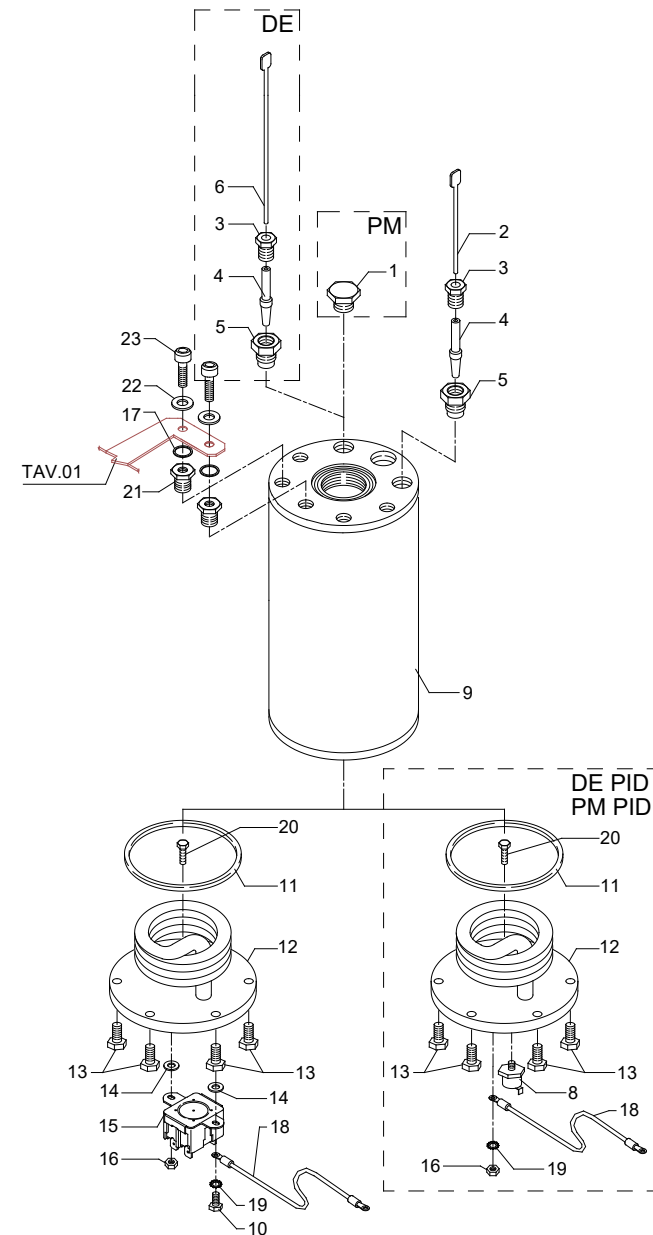


TABLE 4C (from 01.05.10)

POS	CODE	DESCRIPTION
1	5226405TP	PLUG 1/4"G ES.16 H13 OT
2	5265804	LEVEL PROBE 1GR D3 X 110 X 6.3
3	5225205	STRAIGHT FITTING M10 OT
4	5192001	PROBE SHEATH D8 X 45 HOLE D3 PTFE
5	5225209TP	STRAIGHT FITTING 1/4"G X M10 OT
6	5265811	LEVEL PROBE D3X160X4.8
7	5225412	FITTING
9	5320520.01TP-AL	BOILER
10	7816409	SCREW TE M4X8 UNI 5739 A2
11	7496040	OR GASKET D73 X 3 VITON
12	5721128AL	HEATING ELEMENT 120V W1200
12	5722239.01AL	HEATING ELEMENT 220/240V W1100-1300
13	7816422	SCREW TE M6X14 UNI 5739 OT
14	7825003	WASHER D5X1 UNI 6592 OT
15	7634819	THERMIC SAFETY DEVICE 250V 130°C
16	7822603	NUT M4
17	7492003	GASKET D6.5
18	7663573	GROUND WIRE
19	7814001	WASHER Ø 4
20	7826402	SCREW TE M4X16 UNI 5739 OT
21	5226411TP	PLUG 1/8"G ES.12 H10 HOLE M4 OT
22	7825003	WASHER D5X1 UNI 6592 OT
23	7816002	SCREW TCEI M4X12

TABLE 4C (from 01.05.10)

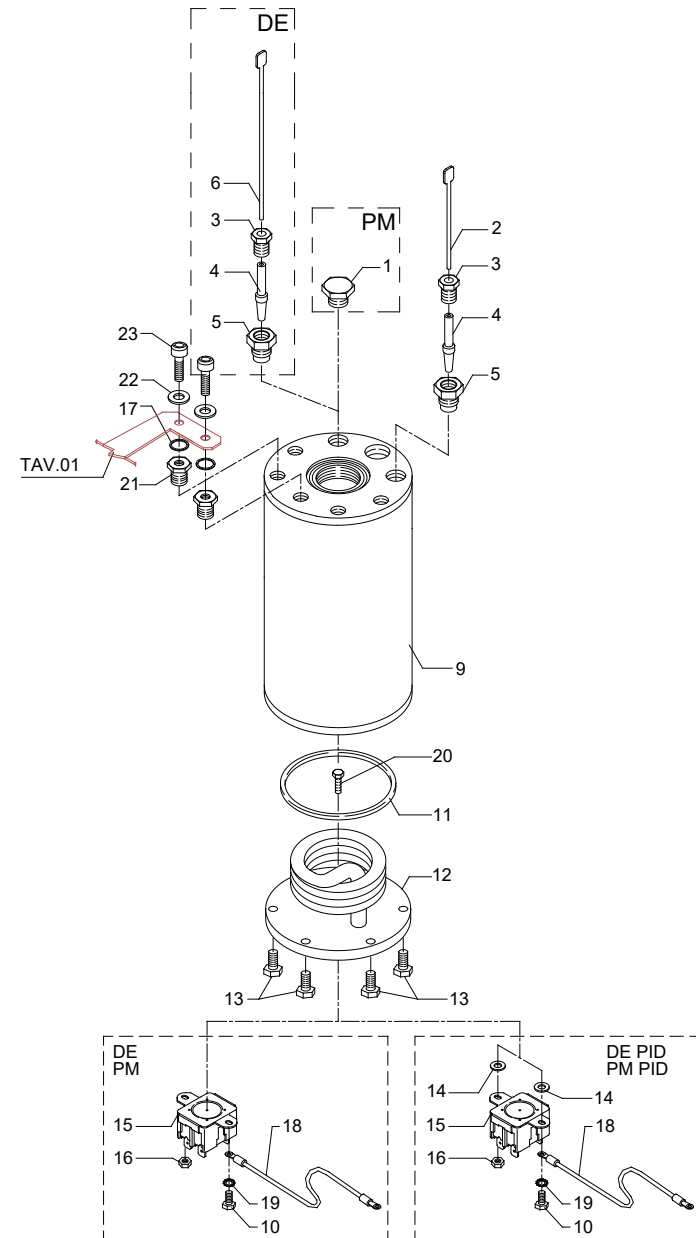


TABLE 5 Mod. PM	POS	CODE	DESCRIPTION
	1	5194631.01R	PUMP-SOLENOID VALVE HOSE(up to 13.12.15)
	1	5194635	PUMP-SOLENOID VALVE HOSE(from 14.12.15)
	2	7611516	CLAMP
	3	7303006	RUBBER-HOLDER FITTING
	4	5194582	HOSE
	5	7731022	VIBRATION PUMP EX5 220V 60HZ WITH OR
	5	7731020	VIBRATION PUMP EX5 230V WITH OR
	5	7731018	VIBRATION PUMP EX5 100V C/OR
	5	7731019	VIBRATION PUMP EX5 120V WITH OR
	5	7731021	VIBRATION PUMP EX5 240V WITH OR
	6	7470602	VIBRATION-DAMPING
	7	7303042TR	UNION ELBOW 1/8"G
	8	7805009	PLAIN WASHER D5 X 11 X 1
	9	7816004	SCREW TCEI M4 X 16
10	7374015	FILTER	
11	5194582R	HOSE WITH FILTER	
12	7634816	THERMIC SAFETY DEVICE 100°C AUTOMATIC	
13	5225418TP	UNION WITH OR HOUSING 1/8"G	
14	7496018	OR GASKET 105 VITON	

TABLE 5
Mod. PM

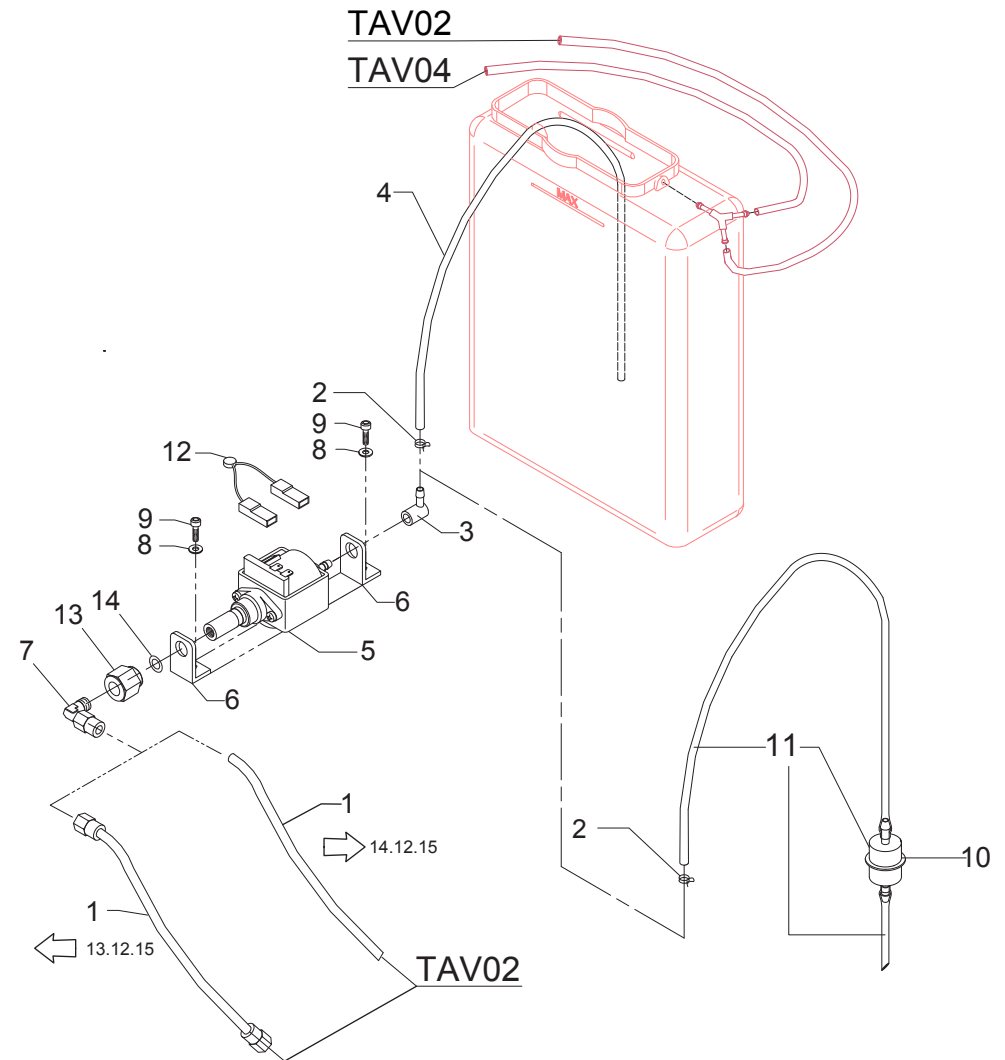


TABLE 5A Mod. DE

POS	CODE	DESCRIPTION
1	7431002	FLOW METER
2	7611516	CLAMP
3	5194570	CRISTAL HOSE D5 X 8 L=150MM
4	5194582	HOSE
5	7731022	VIBRATION PUMP EX5 220V 60HZ WITH OR
5	7731020	VIBRATION PUMP EX5 230V WITH OR
5	7731018	VIBRATION PUMP EX5 100V C/OR
5	7731019	VIBRATION PUMP EX5 120V WITH OR
5	7731021	VIBRATION PUMP EX5 240V WITH OR
6	7470602	VIBRATION-DAMPING
7	7303034TR	UNION ELBOW 1/8"G
8	7805009	PLAIN WASHER D5 X 11 X 1
9	7816004	SCREW TCEI M4 X 16
10	7303006	RUBBER-HOLDER FITTING
11	5194631.01R	PUMP-SOLENOID VALVE HOSE(up to 13.12.15)
11	5194635	PUMP-SOLENOID VALVE HOSE(from 14.12.15)
12	7374015	FILTER
13	5194582R	HOSE WITH FILTER
14	7634816	THERMIC SAFETY DEVICE 100°C AUTOMATIC
15	5225418TP	UNION WITH OR HOUSING 1/8"G
16	7496018	OR GASKET 105 VITON

TABLE 5A Mod. DE

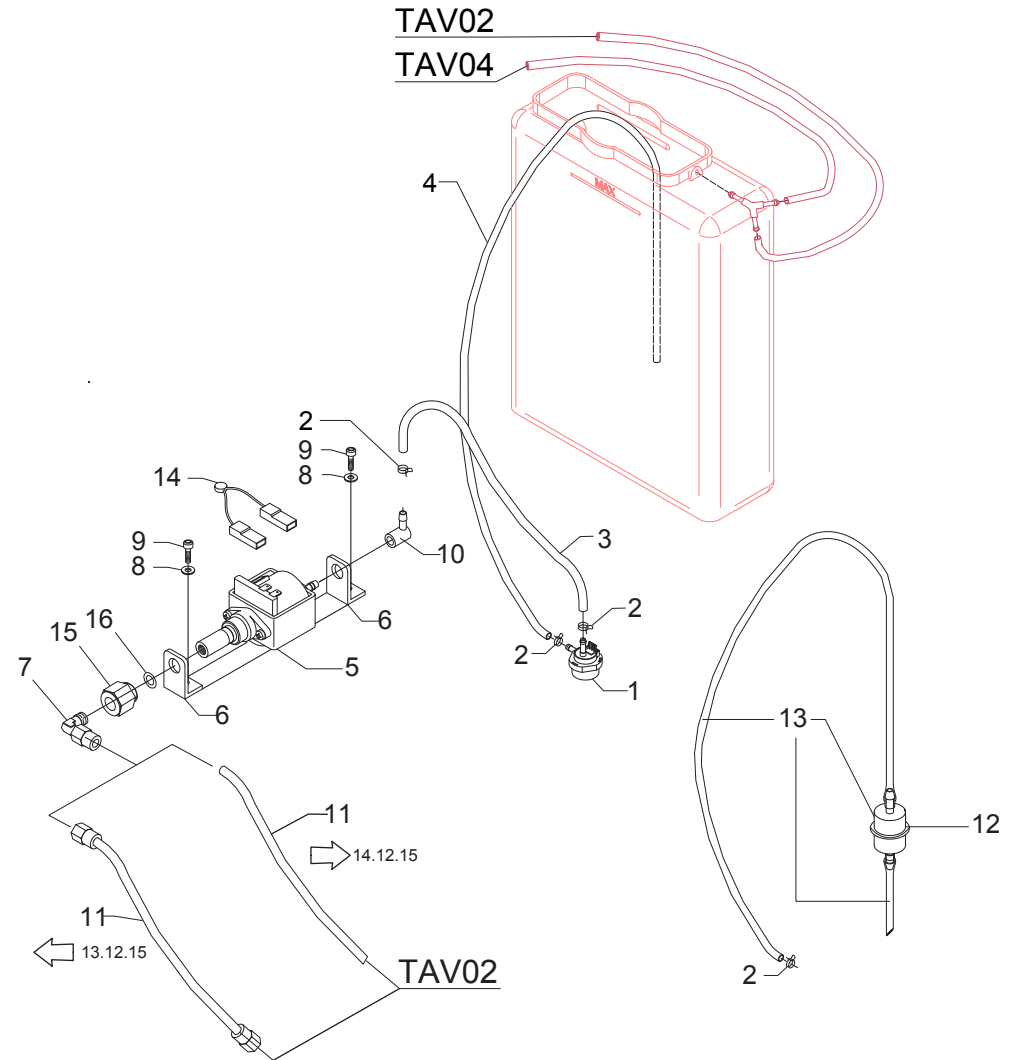


TABLE 6 Mod. PM(up to 31.11.15)

POS	CODE	DESCRIPTION
1	7633331	BIPOLAR SWITCH
2	7400901	PRESSURE GAUGE CAPILLARY
3	5074446SG	GROUP FRONTAL PM
3	5074450SG	GROUP FRONTAL PM WHIT DUAL GAUGE SCALE
4	7612511	CLAMP 3 CONTACTS
5	7400902	BOYLER-MANOMETER CAPILLARY
6	7816009	SCREW TCEI M4X10
7	7816005	SCREW TCEI M4X20
8	7633602.01	GREEN LAMP 110/240V
9	7633604.01	ORANGE LAMP 110/240V
10	7633907	MICROSWITCH
11	7614007	CABLE-PRESS PG13,5
12	7614006	NUT PG13,5
13	7555001	CABLE WITH SCHUKO PLUG
13	7551001	CABLE WITH USA PLUG 125V 15A
13	7551003	CABLE WITH USA PLUG 250V 20A
13	7552001	CABLE WITH AUSTRALIAN PLUG
13	7554001	CABLE WITH ENGLISH PLUG
13	7555003	CABLE WITH SWITZERLAND PLUG
14	7661036R	LEVEL REGULATOR 1 PROBE 230V
14	7661037R	LEVEL REGULATOR 1 PROBE 115V
14	7661038R	LEVEL REGULATOR 1 PROBE 240V
15	5058433LL	LEVEL REGULATOR SUPPORT
16	7819911	SCREW TTEI M4X25
17	7432522	PRESSURE GAUGE D40 3BAR
17	7432524	PRESSURE GAUGE D60 DOUBLE SCALE

TABLE 6(up to 31.11.15)
Mod. PM

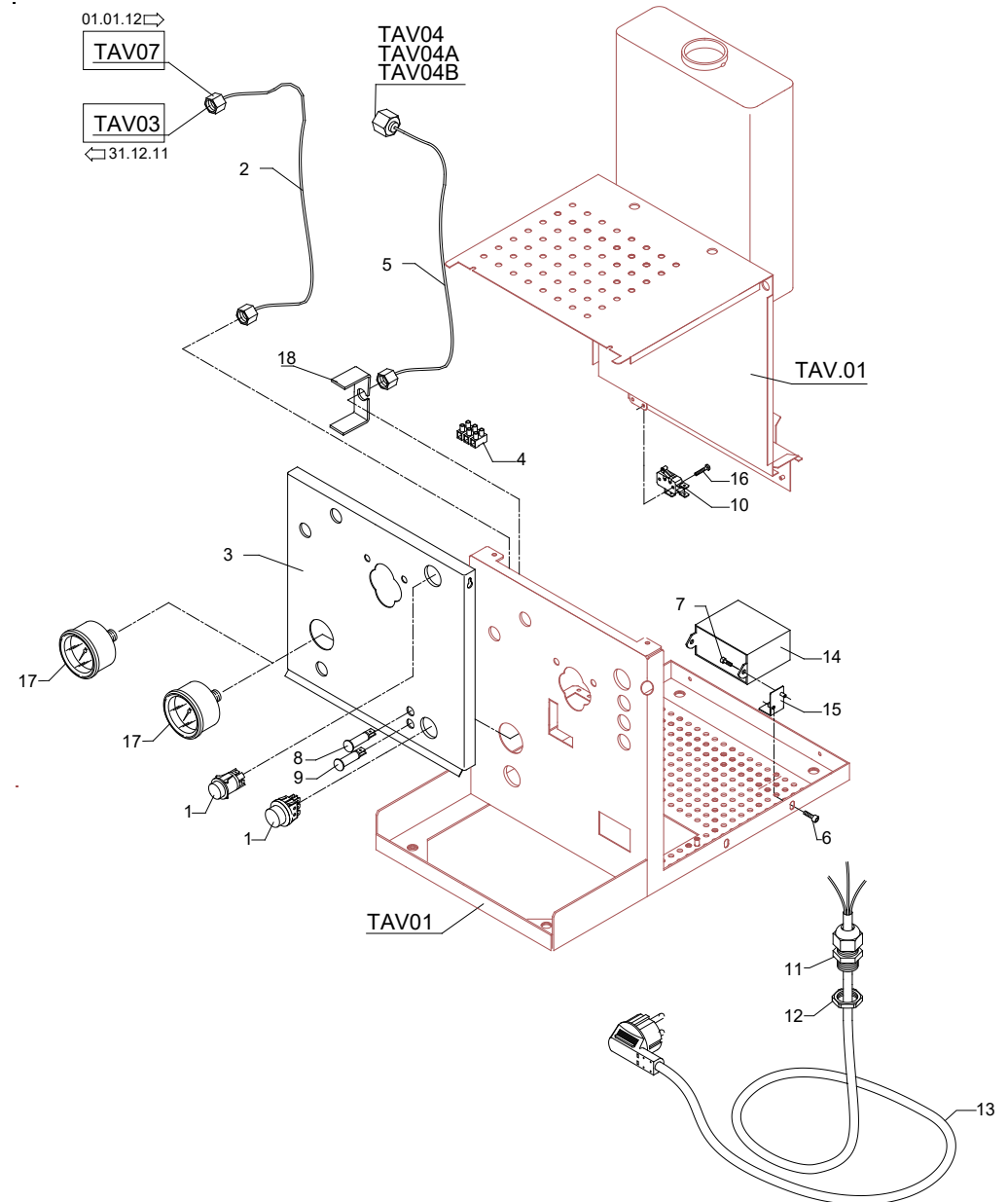


TABLE 6 Mod. PM (from 01.12.15)

POS	CODE	DESCRIPTION
1	7633326	BIPOLAR SWITCH
2	7400901	PRESSURE GAUGE CAPILLARY
3	5074450.01SG	GROUP FRONTAL PM WHIT DUAL GAUGE SCALE
4	7372507	SWITCH PROTECTION
5	7400902	BOYLER-MANOMETER CAPILLARY
6	7816009	SCREW TCEI M4X10
7	7816005	SCREW TCEI M4X20
8	7633624	GREEN LAMP 110/230V
9	7633625	ORANGE LAMP 110/230V
10	7633907	MICROSWITCH
11	7614007	CABLE-PRESS PG13,5
12	7614006	NUT PG13,5
13	7555001	CABLE WITH SCHUKO PLUG
13	7551001	CABLE WITH USA PLUG 125V 15A
13	7551003	CABLE WITH USA PLUG 250V 20A
13	7552001	CABLE WITH AUSTRALIAN PLUG
13	7554001	CABLE WITH ENGLISH PLUG
13	7555003	CABLE WITH SWITZERLAND PLUG
14	7661037PR	LEVEL REGULATOR 1 PROBE 115V
14	7661036.01PR	LEVEL REGULATOR 1 PROBE 220-240V
15	5058433LL	LEVEL REGULATOR SUPPORT
16	7819911	SCREW TTEI M4X25
17	7432524	PRESSURE GAUGE D60 DOUBLE SCALE
18	7663005R	FILTER RC
19	7635418	RELAY 16A 110V 2 CONTACTS FASTON
19	7635419	RELAY 16A 230V 2 CONTACTS FASTON
19	7635420	RELAY 16A 240V 2 CONTACTS FASTON

TABLE 6 (from 01.12.15)
Mod. PM

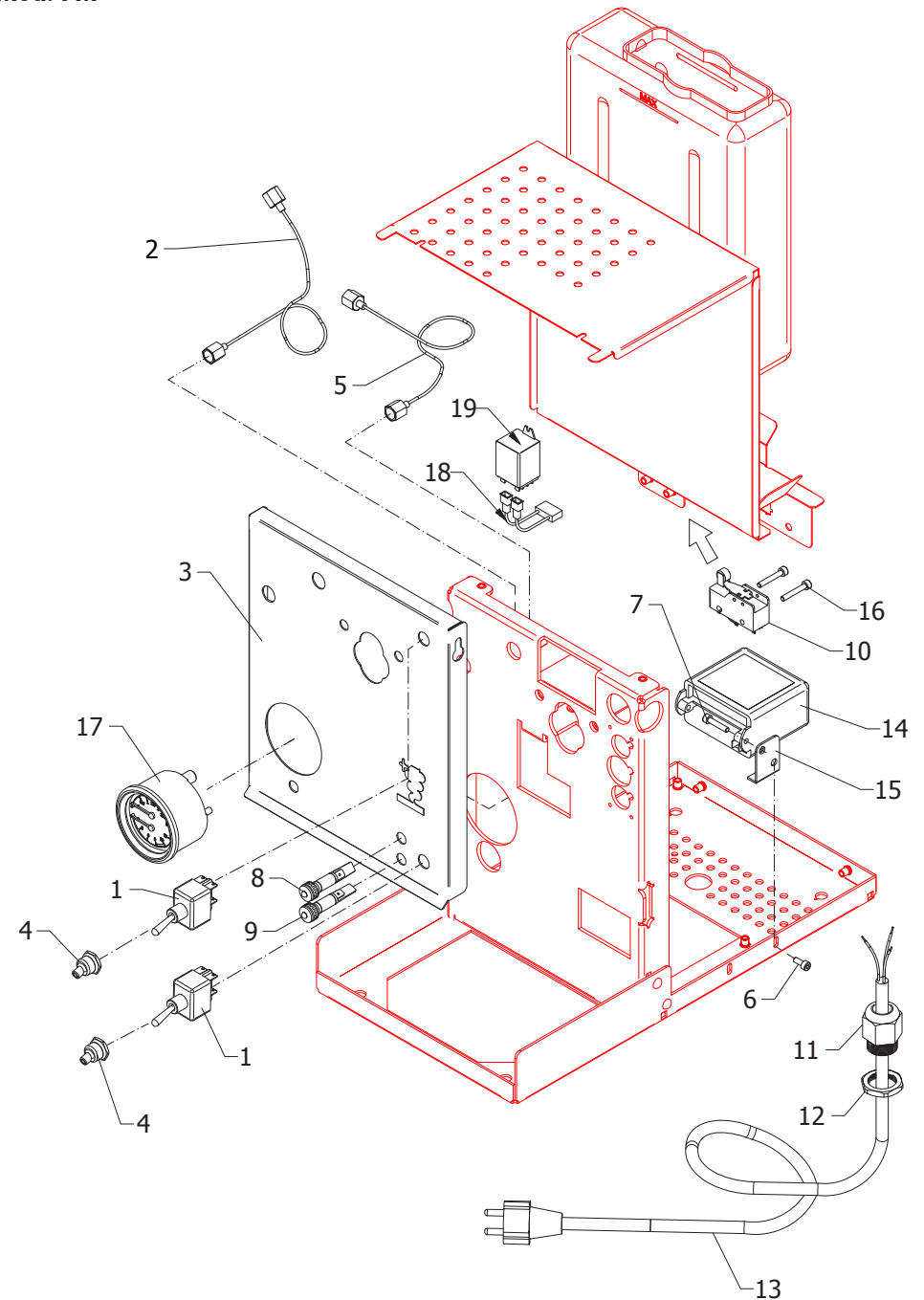


TABLE 6A Mod. DE (up to 31.11.15)

POS	CODE	DESCRIPTION
1	7633331	BIPOLAR SWITCH
2	7493014	GASKET
3	7636604	STRIP-LINE 8 POLES
4	5191506	SPACER D6X8.8
5	7822602	NUT M3
6	7370505	COVER
7	7665013	PUSH-BUTTON PANEL
8	7633602.01	GREEN LAMP 110/240V
9	7633604.01	ORANGE LAMP 110/240V
10	7633907	MICROSWITCH
11	7614007	CABLE-PRESS PG13,5
12	7614006	NUT PG13,5
13	7555001	CABLE WITH SCHUKO PLUG
13	7551001	CABLE WITH USA PLUG 125V 15A
13	7551003	CABLE WITH USA PLUG 250V 20A
13	7552001	CABLE WITH AUSTRALIAN PLUG
13	7554001	CABLE WITH ENGLISH PLUG
13	7555003	CABLE WITH SWITZERLAND PLUG
14	7662651.01	DOSAGE 3S 220/230V
14	7662652.01	DOSAGE 3S 240V
14	7662650.01	DOSAGE 3S 110V
15	5058433LW	LEVEL REGULATOR SUPPORT
16	7819911	SCREW TTEI M4X25
17	7374004	WASHER D4 NYLON
18	7432522	PRESSURE GAUGE D40 3BAR
18	7432524	PRESSURE GAUGE D60 DOUBLE SCALE
19	7400901	PRESSURE GAUGE CAPILLARY
20	5074447SG	GROUP FRONTAL DE
20	5074451SG	GROUP FRONTAL DE WHIT DUAL GAUGE SCALE
21	7612511	CLAMP 3 CONTACTS
22	7400902	BOYLER-MANOMETER CAPILLARY
23	7816009	SCREW TCEI M4X10
24	7816005	SCREW TCEI M4X20

TABLE 6A (up to 31.11.15)
Mod. DE

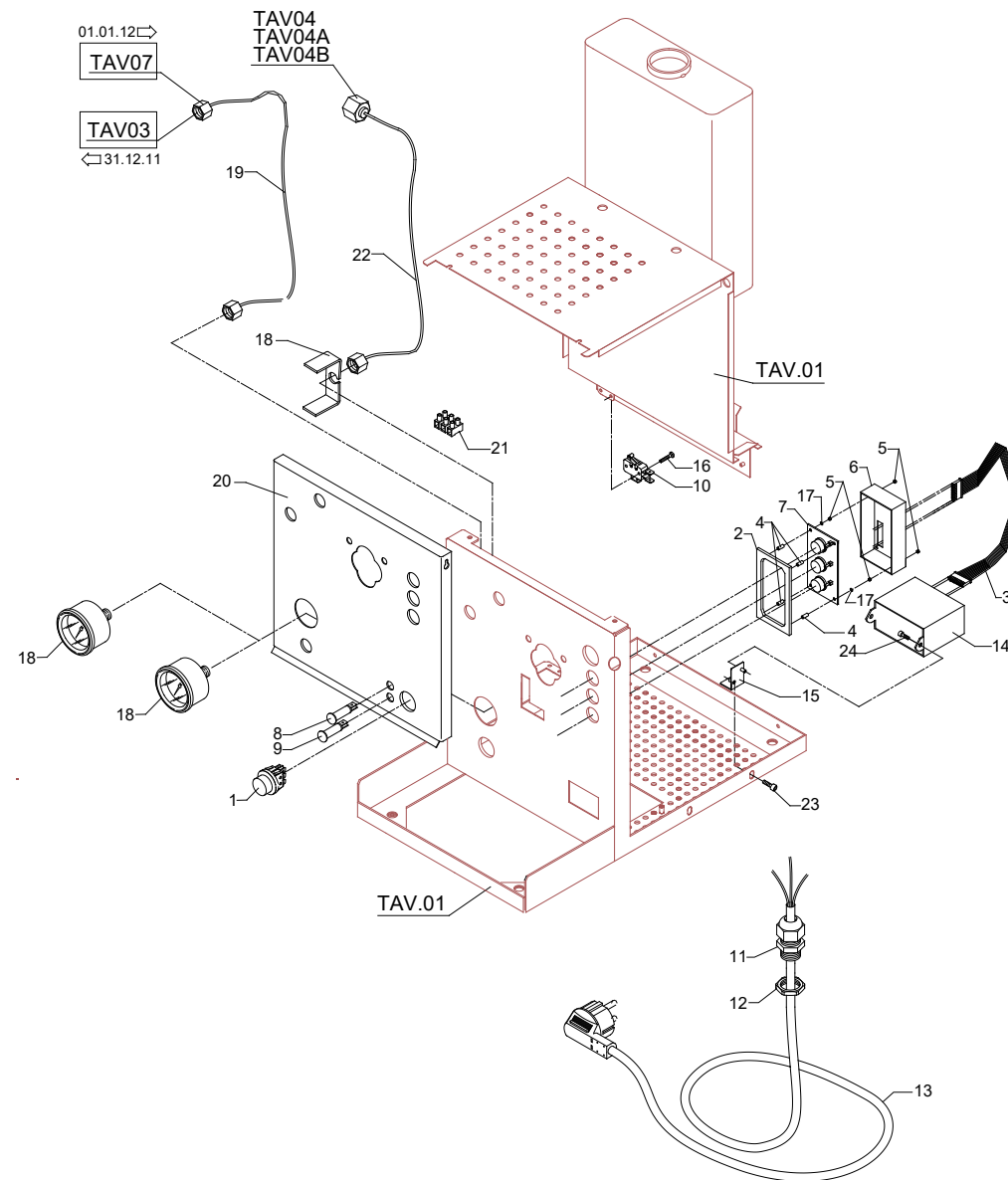


TABLE 6A Mod. DE (from 01.12.15)

POS	CODE	DESCRIPTION
1	7633326	BIPOLAR SWITCH
2	7493014	GASKET
3	7636604	STRIP-LINE 8 POLES
4	5191506	SPACER D6X8.8
5	7822602	NUT M3
6	7370505	COVER
7	7665013	PUSH-BUTTON PANEL
8	7633624	GREEN LAMP 110/230V
9	7633625	ORANGE LAMP 110/230V
10	7633907	MICROSWITCH
11	7614007	CABLE-PRESS PG13,5
12	7614006	NUT PG13,5
13	7555001	CABLE WITH SCHUKO PLUG
13	7551001	CABLE WITH USA PLUG 125V 15A
13	7551003	CABLE WITH USA PLUG 250V 20A
13	7552001	CABLE WITH AUSTRALIAN PLUG
13	7554001	CABLE WITH ENGLISH PLUG
13	7555003	CABLE WITH SWITZERLAND PLUG
14	7662671.01PR	DOSAGE 3S 220/240V
14	7662650.02PR	DOSAGE 3S 115V
15	5058433LW	LEVEL REGULATOR SUPPORT
16	7819911	SCREW TTEI M4X25
17	7374004	WASHER D4 NYLON
18	7432524	PRESSURE GAUGE D60 DOUBLE SCALE
19	7400901	PRESSURE GAUGE CAPILLARY
20	5074451.01SG	GROUP FRONTAL DE WHIT DUAL GAUGE SCALE
21	7372507	SWITCH PROTECTION
22	7400902	BOYLER-MANOMETER CAPILLARY
23	7816009	SCREW TCEI M4X10
24	7816005	SCREW TCEI M4X20
25	7635418	RELAY 16A 110V 2 CONTACTS FASTON
25	7635419	RELAY 16A 230V 2 CONTACTS FASTON
25	7635420	RELAY 16A 240V 2 CONTACTS FASTON
26	7663005R	FILTER RC

TABLE 6A (from 01.12.15)
Mod. DE

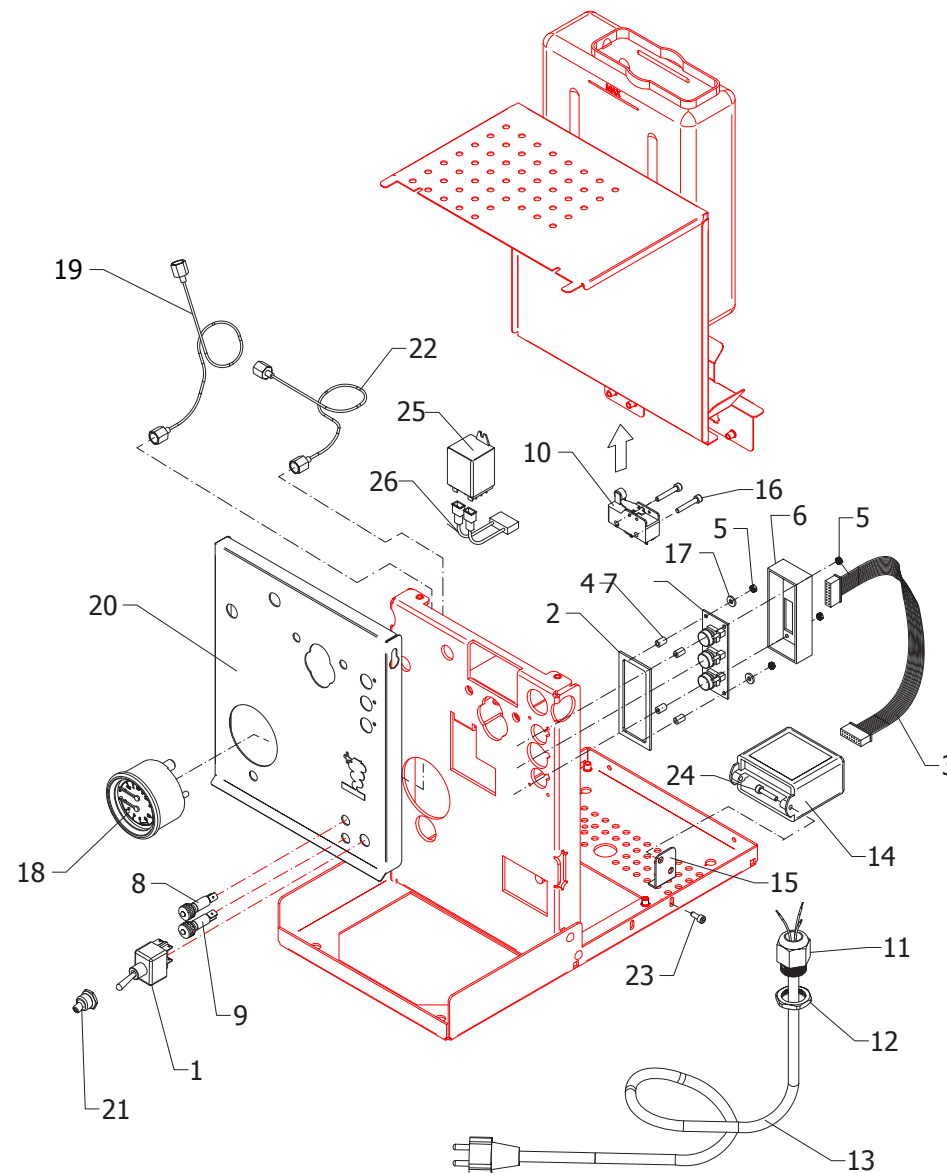


Table 6B Mod. PM PID(up to 31.11.15)

POS	CODE	DESCRIPTION
1	7633331	BIPOLAR SWITCH
2	7400902	BOYLER-MANOMETER CAPILLARY
3	7816009	SCREW TCEI M4X10
4	7816005	SCREW TCEI M4X20
5	7434016	THERMOSTAT TERMOPID 110V
5	7434017	THERMOSTAT TERMOPID 230/240V
6	7635424.01	RELAY
7	7822602	NUT M3
8	7633602.01	GREEN LAMP 110/240V
9	7633604.01	ORANGE LAMP 110/240V
10	7633907	MICROSWITCH
11	7614007	CABLE-PRESS PG13,5
12	7614006	NUT PG13,5
13	7555001	CABLE WITH SCHUKO PLUG
13	7551001	CABLE WITH USA PLUG 125V 15A
13	7551003	CABLE WITH USA PLUG 250V 20A
13	7552001	CABLE WITH AUSTRALIAN PLUG
13	7554001	CABLE WITH ENGLISH PLUG
13	7555003	CABLE WITH SWITZERLAND PLUG
14	7661036R	LEVEL REGULATOR 1 PROBE 230V
14	7661037R	LEVEL REGULATOR 1 PROBE 115V
14	7661038R	LEVEL REGULATOR 1 PROBE 240V
15	5058433LW	LEVEL REGULATOR SUPPORT
16	7819911	SCREW TTEI M4X25
17	7612511	CLAMP 3 CONTACTS
18	7432522	PRESSURE GAUGE D40 3BAR
18	7432524	PRESSURE GAUGE D60 DOUBLE SCALE
19	7400901	PRESSURE GAUGE CAPILLARY
20	5074454SG	GROUP FRONTAL PM T.PID
20	5074456SG	GROUP FRONTAL PM T.PID WHIT DUAL GAUGE SCALE
21	7666002	PROBE T.PID

TABLE 6B (up to 31.11.15)
Mod. PM PID

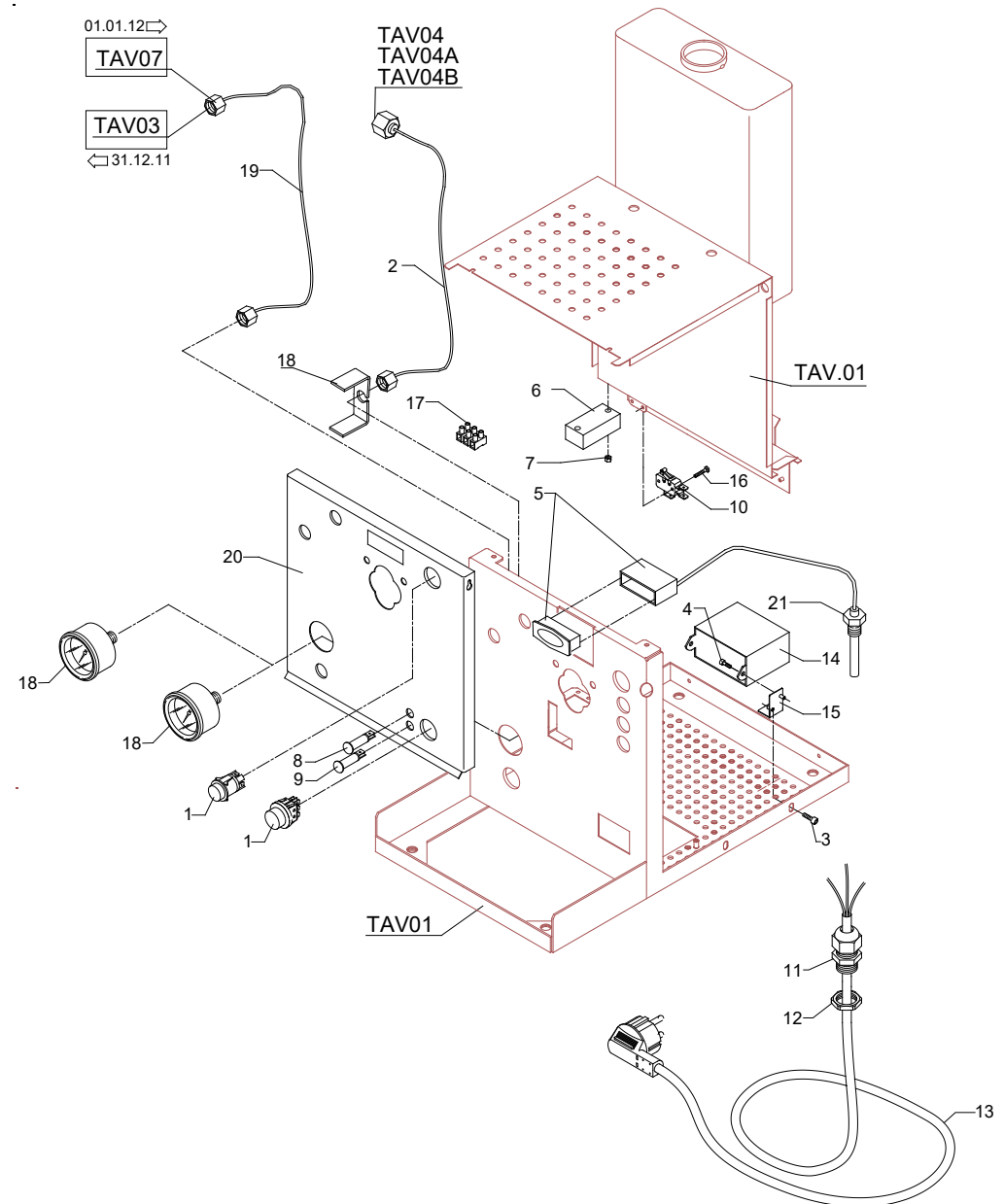
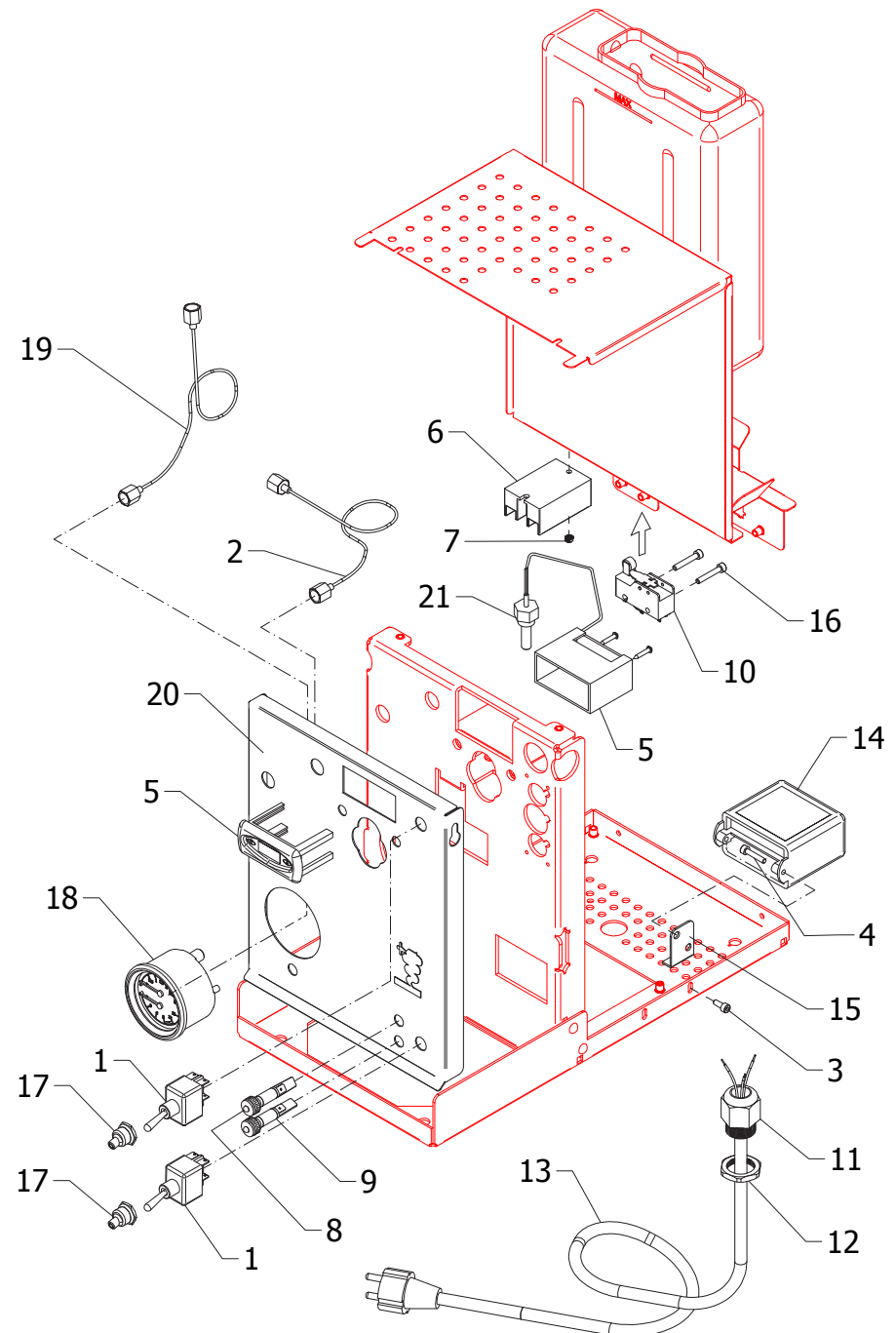


TABLE 6B Mod. PM PID(from 01.12.15)

POS	CODE	DESCRIPTION
1	7633326	BIPOLAR SWITCH
2	7400902	BOYLER-MANOMETER CAPILLARY
3	7816009	SCREW TCEI M4X10
4	7816005	SCREW TCEI M4X20
5	7434016	THERMOSTAT TERMOPID 110V
5	7434017	THERMOSTAT TERMOPID 230/240V
6	7635424.01	RELAY
7	7822602	NUT M3
8	7633624	GREEN LAMP 110/230V
9	7633625	ORANGE LAMP 110/230V
10	7633907	MICROSWITCH
11	7614007	CABLE-PRESS PG13,5
12	7614006	NUT PG13,5
13	7555001	CABLE WITH SCHUKO PLUG
13	7551001	CABLE WITH USA PLUG 125V 15A
13	7551003	CABLE WITH USA PLUG 250V 20A
13	7552001	CABLE WITH AUSTRALIAN PLUG
13	7554001	CABLE WITH ENGLISH PLUG
13	7555003	CABLE WITH SWITZERLAND PLUG
14	7661036.01PR	LEVEL REGULATOR 1 PROBE 220-240V
14	7661037PR	LEVEL REGULATOR 1 PROBE 115V
15	5058433LW	LEVEL REGULATOR SUPPORT
16	7819911	SCREW TTEI M4X25
17	7372507	SWITCH PROTECTION
18	7432524	PRESSURE GAUGE D60 DOUBLE SCALE
19	7400901	PRESSURE GAUGE CAPILLARY
20	5074456.01SG	GROUP FRONTAL PM T.PID WHIT DUAL GAUGE SCALE
21	7666002	PROBE T.PID

TABLE 6B (from 01.12.15)
Mod. PM PID



POS	CODE	DESCRIPTION
1	7633331	BIPOLAR SWITCH
2	7493014	GASKET
3	7636604	STRIP-LINE 8 POLES
4	5191506	SPACER D6X8.8
5	7822602	NUT M3
6	7370505	COVER
7	7665013	PUSH-BUTTON PANEL
8	7633602.01	GREEN LAMP 110/240V
9	7633604.01	ORANGE LAMP 110/240V
10	7633907	MICROSWITCH
11	7614007	CABLE-PRESS PG13,5
12	7614006	NUT PG13,5
13	7555001	CABLE WITH SCHUKO PLUG
13	7551001	CABLE WITH USA PLUG 125V 15A
13	7551003	CABLE WITH USA PLUG 250V 20A
13	7552001	CABLE WITH AUSTRALIAN PLUG
13	7554001	CABLE WITH ENGLISH PLUG
13	7555003	CABLE WITH SWITZERLAND PLUG
14	7662651.01	DOSAGE 3S 220/230V
14	7662652.01	DOSAGE 3S 240V
14	7662650.01	DOSAGE 3S 110V
15	5058433LW	LEVEL REGULATOR SUPPORT
16	7819911	SCREW TTEI M4X25
17	7666002	PROBE T.PID
18	7432522	PRESSURE GAUGE D40 3BAR
18	7432524	PRESSURE GAUGE D60 DOUBLE SCALE
19	7400901	PRESSURE GAUGE CAPILLARY
20	5074455SG	GROUP FRONTAL DE T.PID
20	5074457SG	GROUP FRONTAL DE T.PID WHIT DUAL GAUGE SCALE
21	7612511	CLAMP 3 CONTACTS
22	7400902	BOYLER-MANOMETER CAPILLARY
23	7816009	SCREW TCEI M4X10
24	7816005	SCREW TCEI M4X20
25	7434016	THERMOSTAT TERMOPID 110V
25	7434017	THERMOSTAT TERMOPID 230/240V
26	7374004	WASHER D4 NYLON
27	7635424.01	RELAY
28	7822602	NUT M3

TABLE 6C (up to 31.11.15)
Mod. DE PID

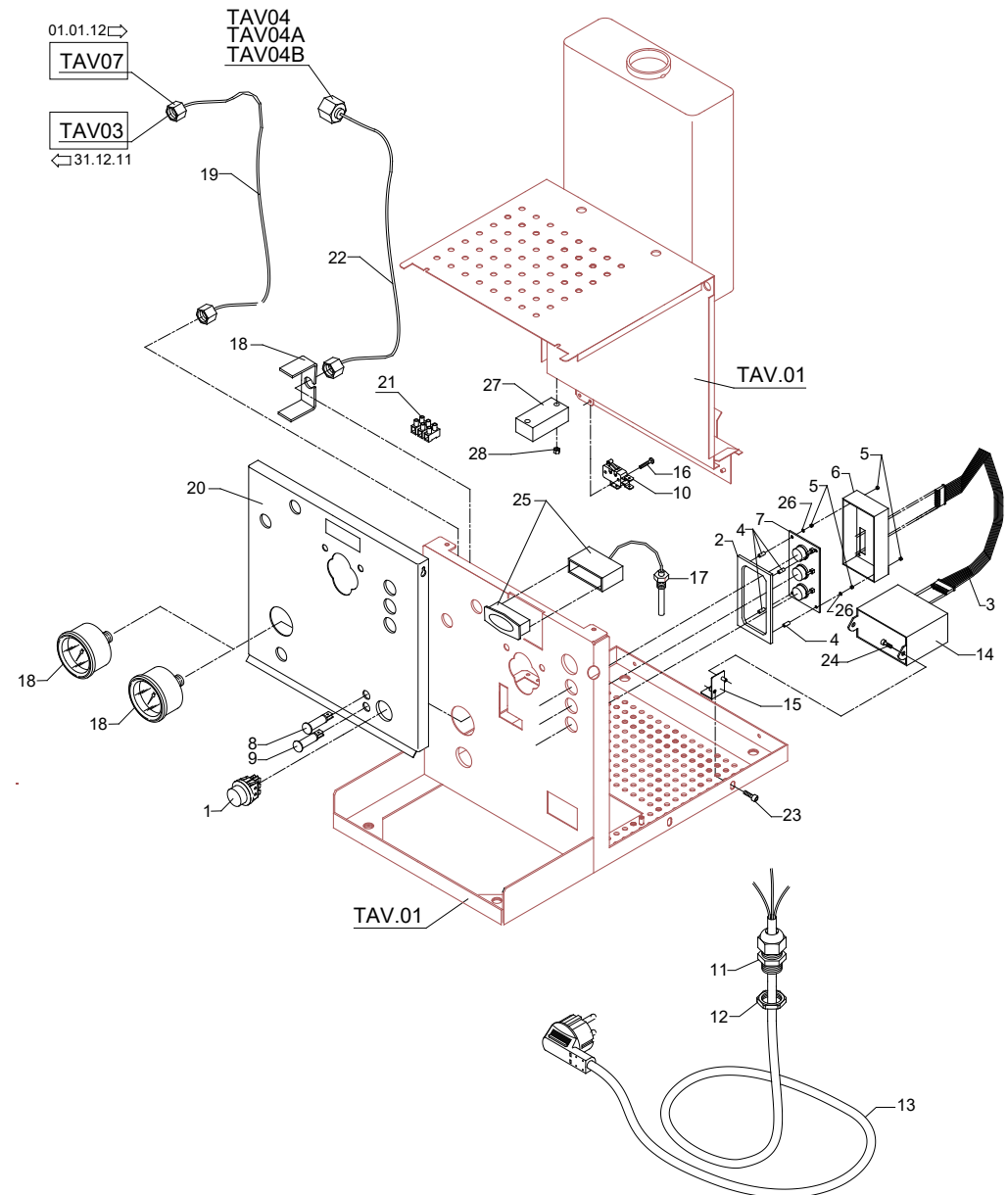


TABLE 6C Mod. DE PID(from 01.12.15)

POS	CODE	DESCRIPTION
1	7633326	BIPOLAR SWITCH
2	7493014	GASKET
3	7636604	STRIP-LINE 8 POLES
4	5191506	SPACER D6X8.8
5	7822602	NUT M3
6	7370505	COVER
7	7665013	PUSH-BUTTON PANEL
8	7633624	GREEN LAMP 110/230V
9	7633625	ORANGE LAMP 110/230V
10	7633907	MICROSWITCH
11	7614007	CABLE-PRESS PG13,5
12	7614006	NUT PG13,5
13	7555001	CABLE WITH SCHUKO PLUG
13	7551001	CABLE WITH USA PLUG 125V 15A
13	7551003	CABLE WITH USA PLUG 250V 20A
13	7552001	CABLE WITH AUSTRALIAN PLUG
13	7554001	CABLE WITH ENGLISH PLUG
13	7555003	CABLE WITH SWITZERLAND PLUG
14	7662671.01PR	DOSAGE 3S 220/240V
14	7662650.02PR	DOSAGE 3S 115V
15	5058433LW	LEVEL REGULATOR SUPPORT
16	7819911	SCREW TTEI M4X25
17	7666002	PROBE T.PID
18	7432524	PRESSURE GAUGE D60 DOUBLE SCALE
19	7400901	PRESSURE GAUGE CAPILLARY
20	5074457.01SG	GROUP FRONTAL DE T.PID WHIT DUAL GAUGE SCALE
21	7372507	SWITCH PROTECTION
22	7400902	BOYLER-MANOMETER CAPILLARY
23	7816009	SCREW TCEI M4X10
24	7816005	SCREW TCEI M4X20
25	7434016	THERMOSTAT TERMOPID 110V
25	7434017	THERMOSTAT TERMOPID 230/240V
26	7374004	WASHER D4 NYLON
27	7635424.01	RELAY
28	7822602	NUT M3

TABLE 6C (from 01.12.15)
Mod. DE PID

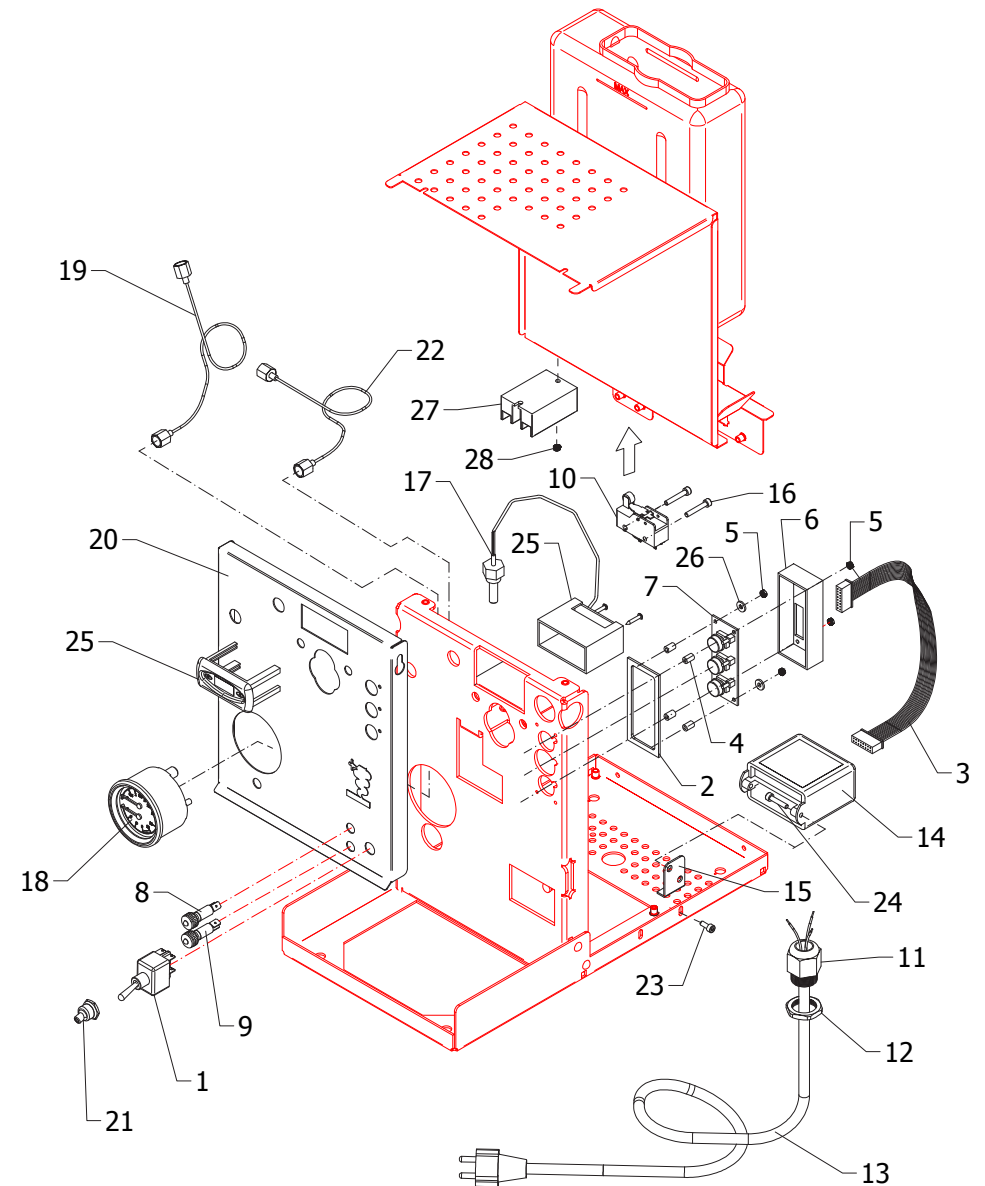
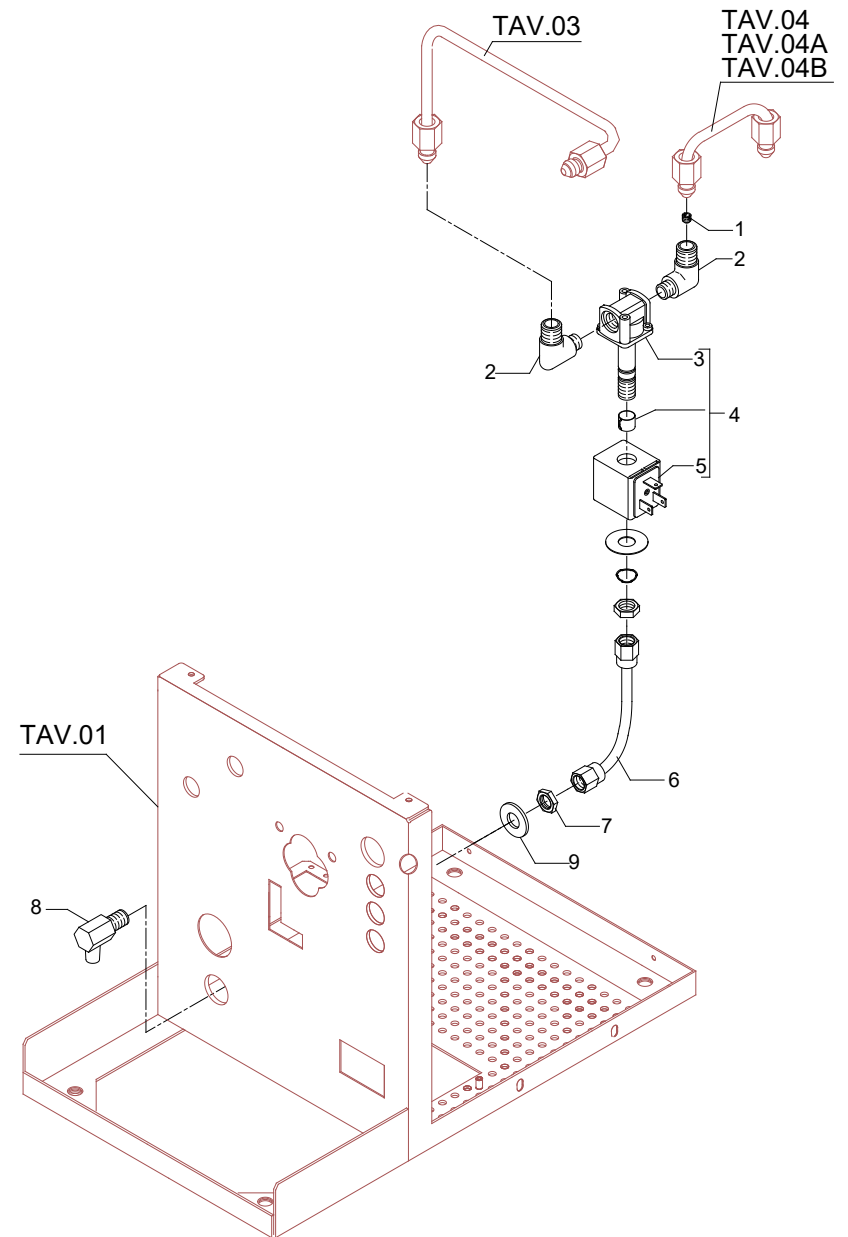


TABLE 7 (up to 27.04.09)

POS	CODE	DESCRIPTION
1	5223005TP	JET M6 X 6 HOLE D1.2 OT
2	5301504TR	UNION ELBOW 1/8"G X M12
3	7703014	SOLENOID VALVE WITHOUT COIL PARKER
4	7701112	SOLENOID VALVE 3 WAY 115V PARKER
4	7702311	SOLENOID VALVE 3 WAY 230V PARKER
4	7702410	SOLENOID VALVE 3 WAY 240V PARKER
5	7630332	SOLENOID VALVE COIL 115V PARKER
5	7630331	SOLENOID VALVE COIL 230V PARKER
5	7630330	SOLENOID VALVE COIL 240V PARKER
6	5194560LL	SOLENOID VALVE DRAIN HOSE
7	5221844	NUT 1/8"G H3
8	5283018CM	DRAIN FITTING FOR SURPRESSION VALVE 1/8"G CHROMED
9	7815001	WASHER D10 UNI 6592 A2

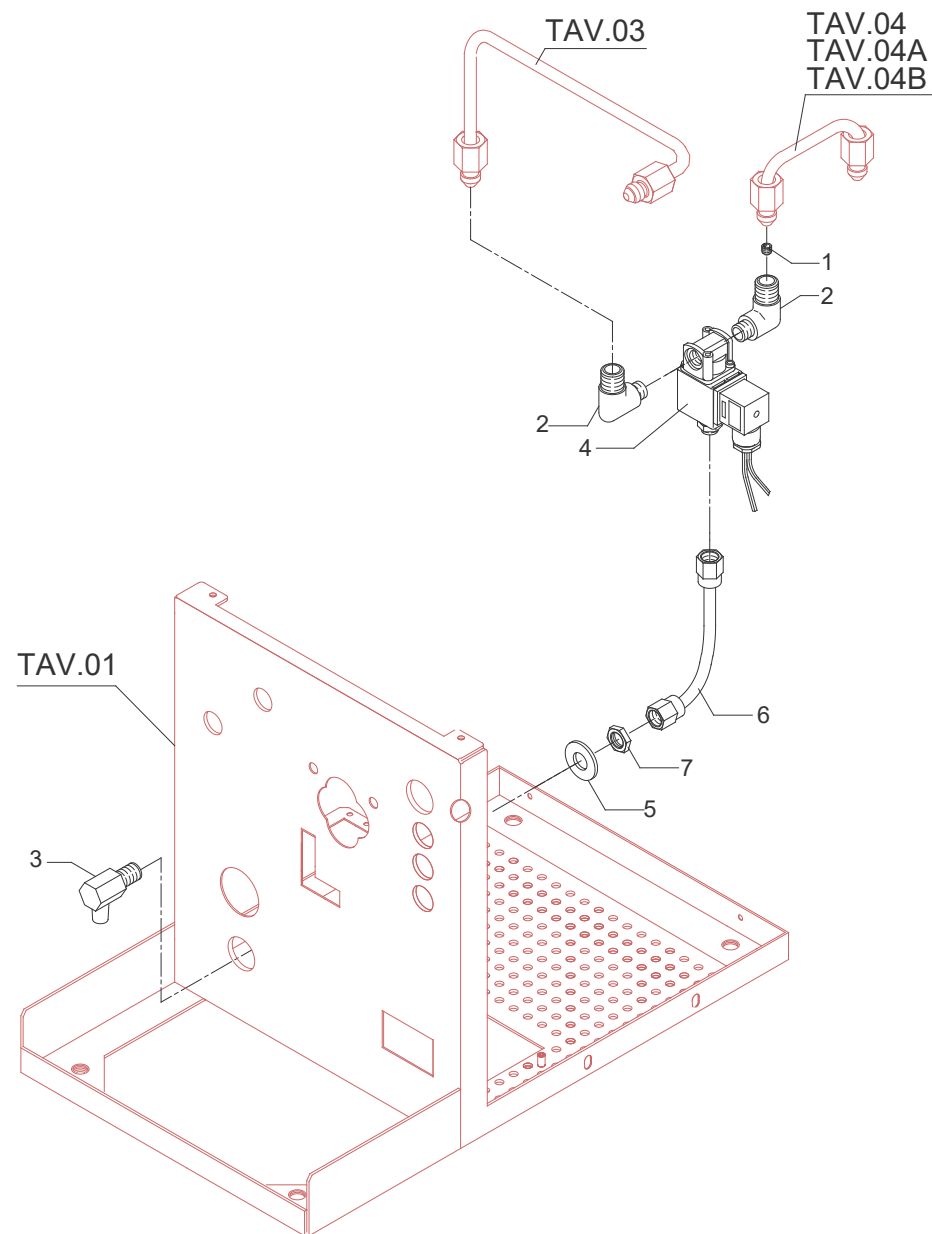
TABLE 7 (up to 27.04.09)



POS	CODE	DESCRIPTION
1	5223005TP	JET M6 X 6 HOLE D1.2 OT
2	5301504TR	UNION ELBOW 1/8"G X M12
3	5283018CM	DRAIN FITTING FOR SURPRESSION VALVE 1/8"G CHROMED
4	7701117	SOLENOID VALVE 3 WAY 115V ODE
4	7702316	SOLENOID VALVE 3 WAY 230V ODE
4	7702411	SOLENOID VALVE 3 WAY 240V ODE
5	7815001	WASHER D10 UNI 6592 A2
6	5194560LL	SOLENOID VALVE DRAIN HOSE
7	5221844	NUT 1/8"G H3

TABLE 7 (up to 31.12.11)

TABLE 7 (up to 31.12.11)



POS	CODE	DESCRIPTION
1	5223005TP	JET M6 X 6 HOLE D1.2 OT
2	5301504TR	UNION ELBOW 1/8"G X M12
3	5283018CM	DRAIN FITTING FOR SURPRESSION VALVE 1/8"G CHROMED
4	7701117	SOLENOID VALVE 3 WAY 115V ODE
4	7702316	SOLENOID VALVE 3 WAY 230V ODE
4	7702411	SOLENOID VALVE 3 WAY 240V ODE
5	7815001	WASHER D10 UNI 6592 A2
6	5194560LL	SOLENOID VALVE DRAIN HOSE
7	5221844	NUT 1/8"G H3
8	5300513TR	UNION

TABLE 7 (up to 01.04.13)

TABLE 7 (up to 01.04.13)

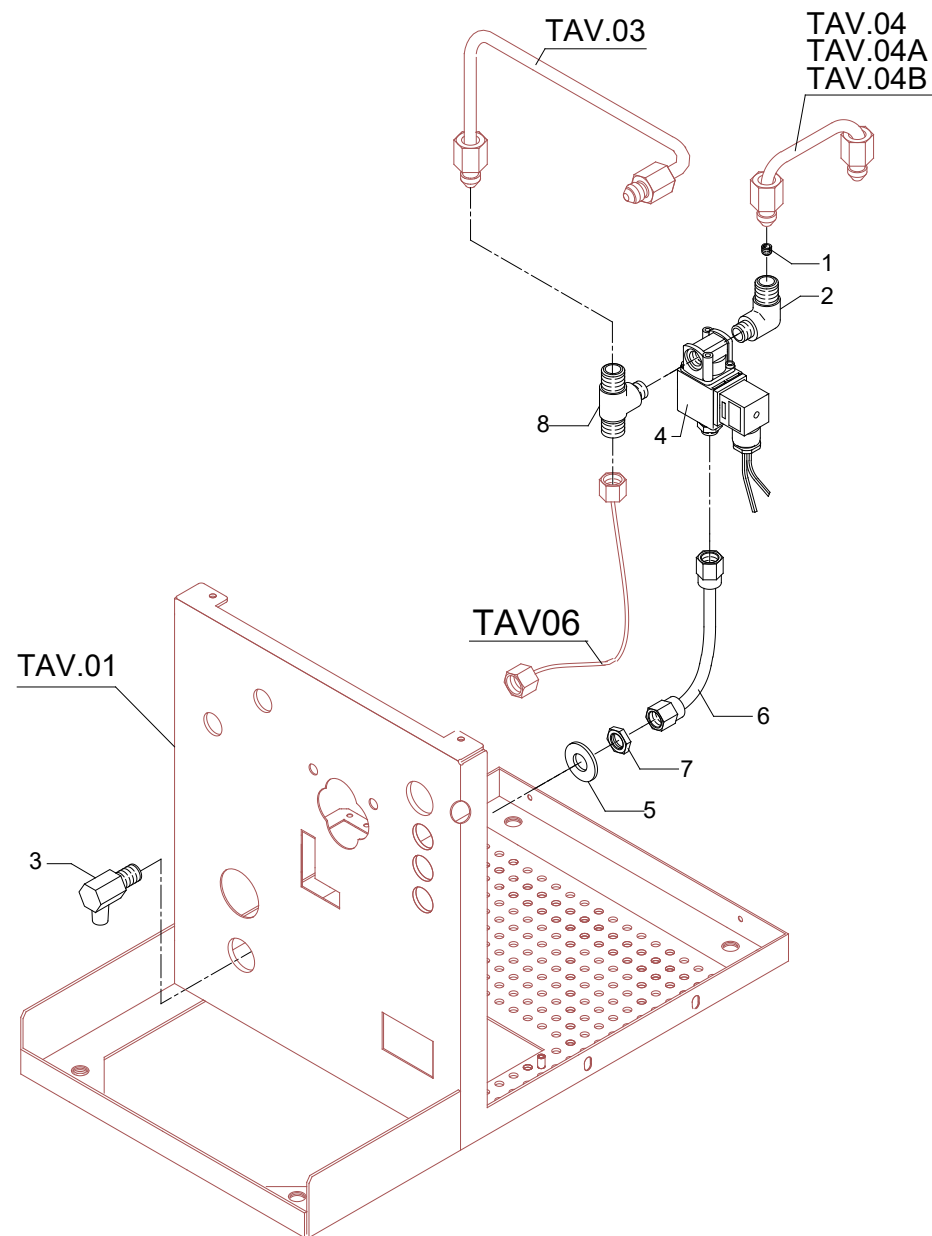
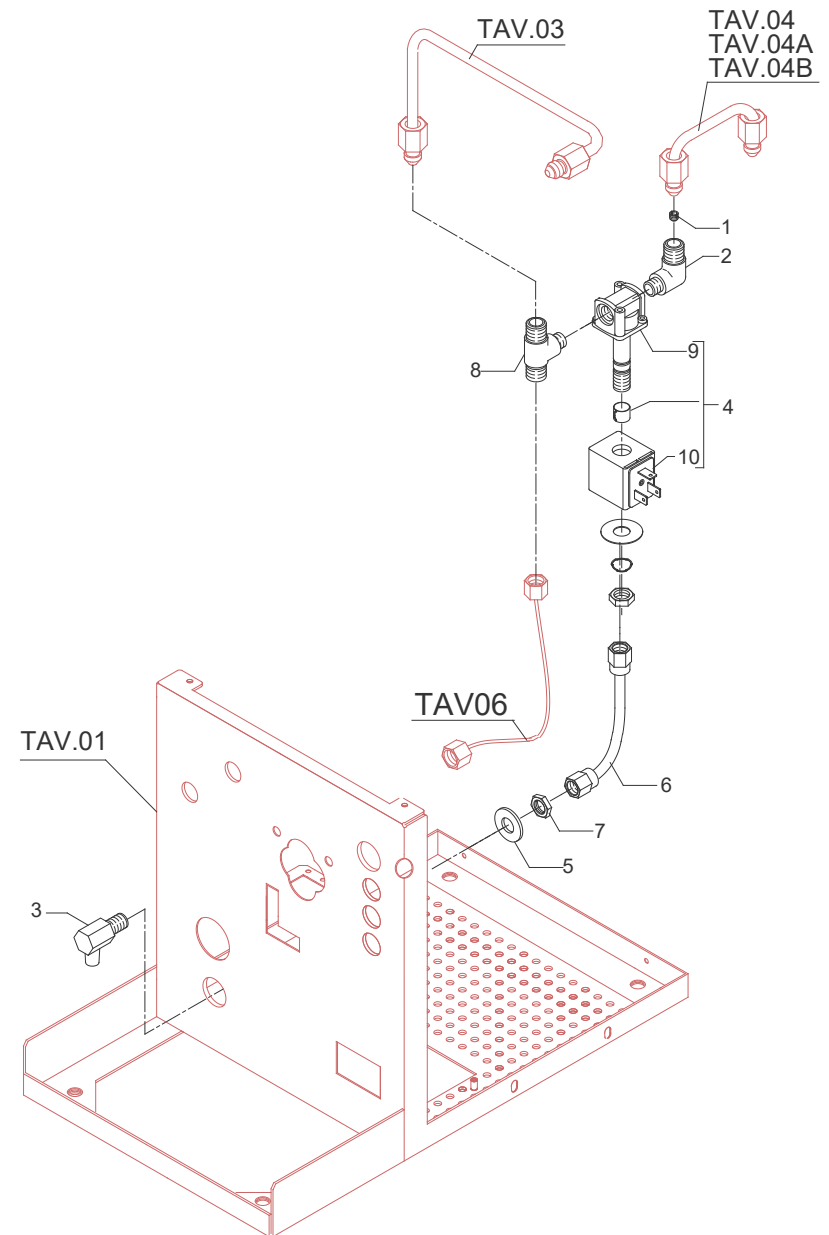


TABLE 7 (from 02.04.13)

POS	CODE	DESCRIPTION
1	5223005TP	JET M6 X 6 HOLE D1.2 OT
2	5301504TR	UNION ELBOW 1/8"G X M12
3	5283018CM	DRAIN FITTING FOR SURPRESSION VALVE 1/8"G CHROMED
4	7701112	SOLENOID VALVE 3 WAY 115V PARKER
4	7702311	SOLENOID VALVE 3 WAY 230V PARKER
4	7702410	SOLENOID VALVE 3 WAY 240V PARKER
5	7815001	WASHER D10 UNI 6592 A2
6	5194559LL	SOLENOID VALVE DRAIN HOSE
7	5221844	NUT 1/8"G H3
8	5300513TR	UNION
9	7703014	SOLENOID VALVE WITHOUT COIL PARKER
10	7630332	SOLENOID VALVE COIL 115V PARKER
10	7630331	SOLENOID VALVE COIL 230V PARKER
10	7630330	SOLENOID VALVE COIL 240V PARKER

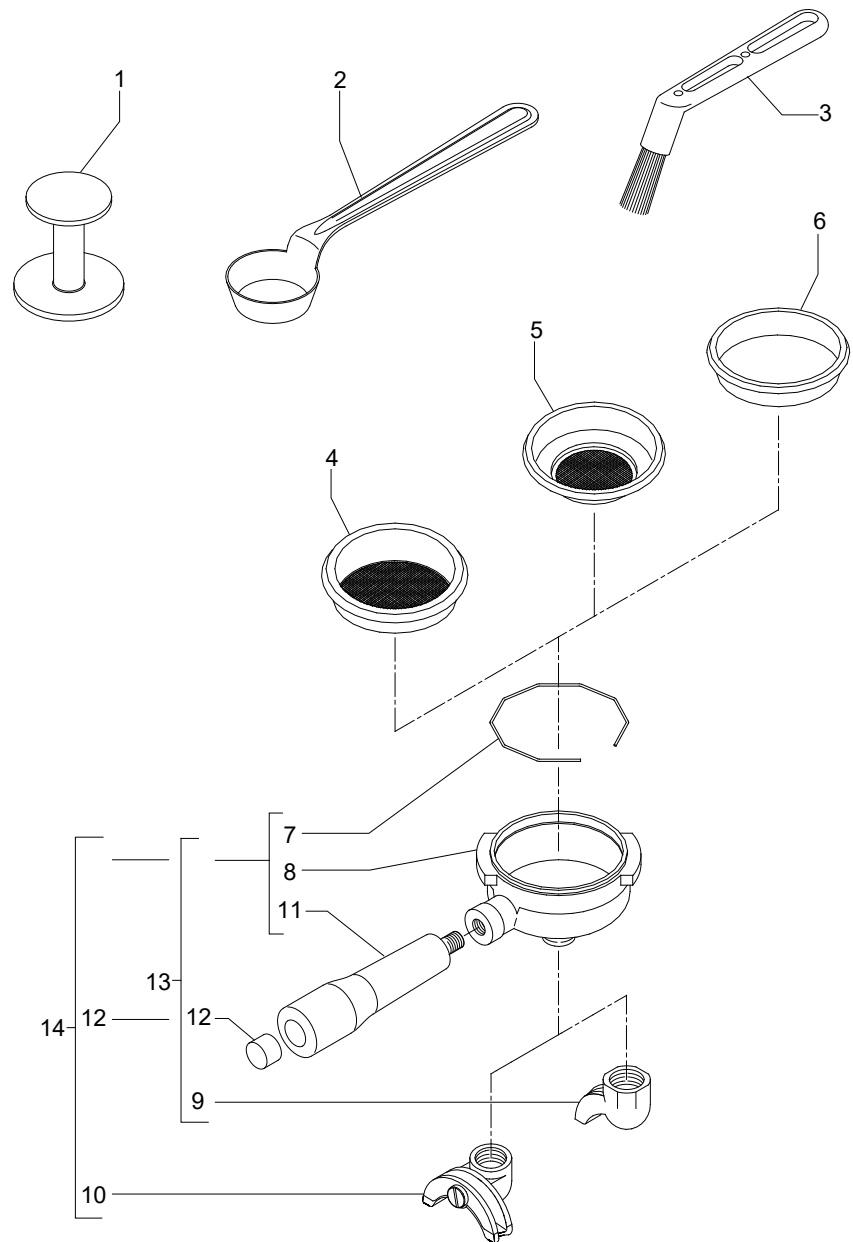
TABLE 7 (from 02.04.13)



POS	CODE	DESCRIPTION
1	5373001	COFFEE-PRESS
2	5372101	MEASURER
3	7990603	CLEANING BRUSH
4	5471007	FILTER 2 CUPS 12 GRAMS
4	5471016	FILTER 2 CUPS 14 GRAMS
5	5471004	FILTER 1 CUP 6 GRAMS
5	5471011	FILTER 1 CUP 8 GRAMS
6	5471003	BLIND FILTER
7	5471527	FILTER-HOLDER SPRING D1.2 AISI 302
8	5286016TW	FILTER-HOLDER
9	7288505TW	SPOUT 1 WAY SHORT
10	7288501TW	SPOUT 2 WAY SHORT
11	7371502	KNOB POLISHED
12	5373915CM	KNOB CHROME CAP
13	5965603R	ASSEMBLY FILTER-HOLDER 1 CUP
14	5965604R	ASSEMBLY FILTER-HOLDER 2 CUPS

TABLE 8 (up to 28.02.10)

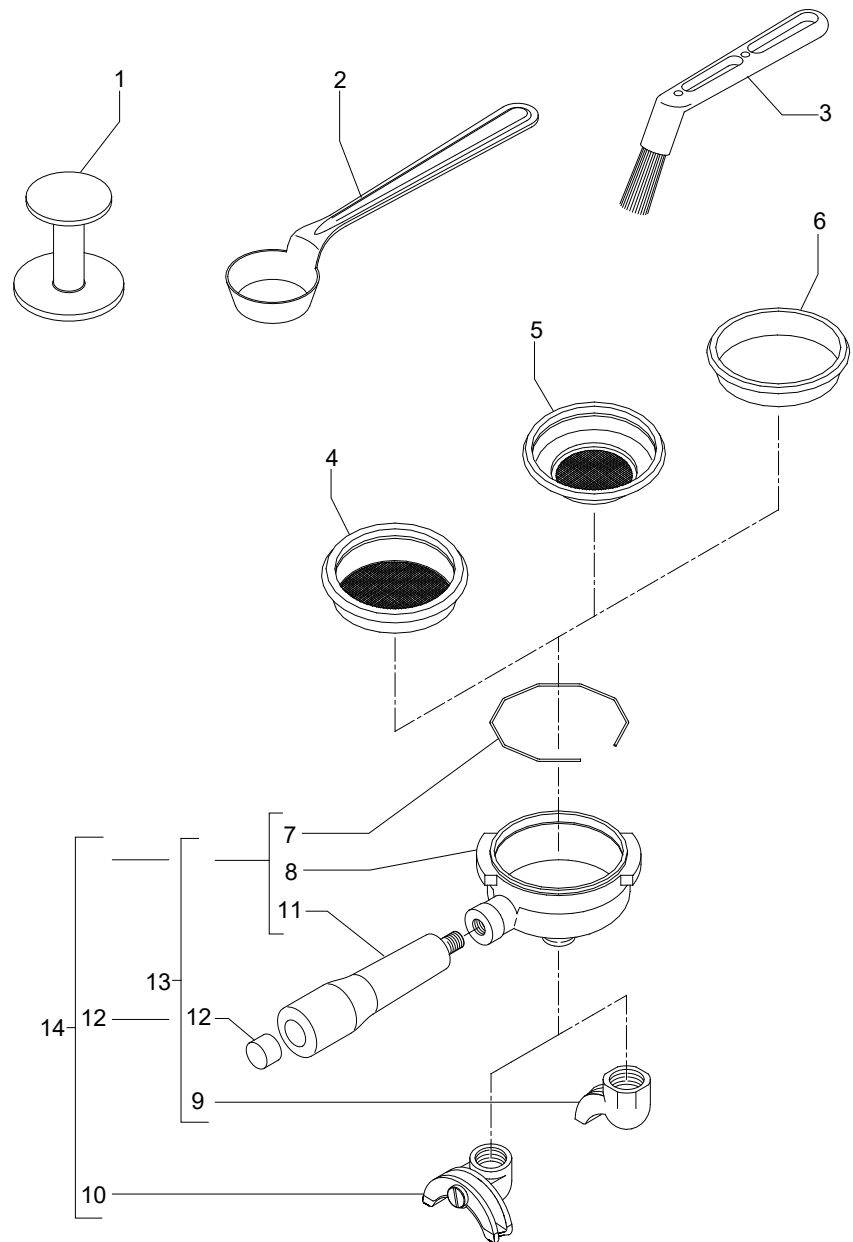
TABLE 8 (up to 28.02.10)

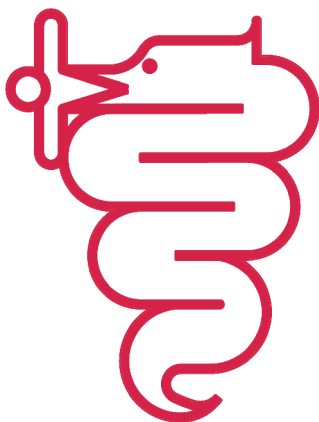


POS	CODE	DESCRIPTION
1	5373001	COFFEE-PRESS
2	5372101	MEASURER
3	7990603	CLEANING BRUSH
4	5471021.01	FILTER 2 CUPS 12 GRAMS WITH RUN CHANNEL
4	5471035	FILTER 2 CUPS 16 GRAMS WITH RUN CHANNEL
5	5471031.01	FILTER 1 CUP 8 GRAMS WITH RUN CHANNEL
6	5471003	BLIND FILTER
7	5471527	FILTER-HOLDER SPRING D1.2 AISI 302
8	5286016TW	FILTER-HOLDER
9	7288505TW	SPOUT 1 WAY SHORT
10	7288501TW	SPOUT 2 WAY SHORT
11	7371502	KNOB POLISHED
12	5373915CM	KNOB CHROME CAP
13	5965603R	ASSEMBLY FILTER-HOLDER 1 CUP
14	5965604R	ASSEMBLY FILTER-HOLDER 2 CUPS

TABLE 8 (from 01.03.10)

TABLE 8 (from 01.03.10)





BEZZERA

Dal 1901

G. BEZZERA S.R.L.

MACCHINE PER CAFFE' ESPRESSO

Via Luigi Bezzera,1

20088 Rosate - Milano - Italy

Tel. ++39 02 90848102 r.a. - Telefax ++39 02 90870287

Web: www.bezzera.com

e-mail: admin@bezzera.it