

BEZZERA

Dal 1901

BB005

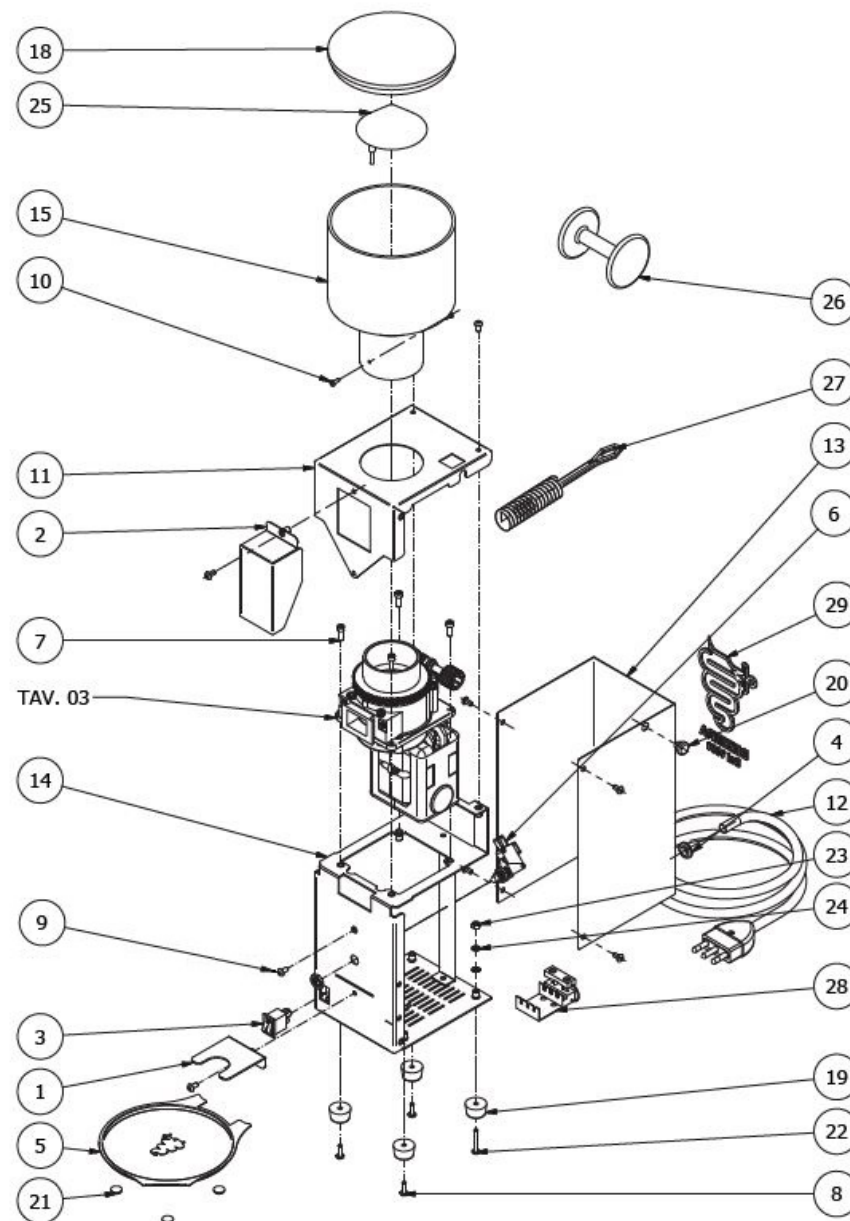
COD. 9942045.06

REV. 02 ed.11/22



TABLE 1 - (up to 31/12/2009)
BB005NR

POS	CODE	DESCRIPTION
1	5097809.01LL	FILTER HOLDER BRACKET
2	5340008LL	SLIDE COMPLETE FOR BB005TM W/COMP.
3	7633333	SWITCH
4	7613007	FAIRLEAD M17V 3121145 RUBBER
5	5070651LW	TRAY
6	7633906	MICROSWITCH 250V
7	7816002	SCREW TCEI M4X12 UNI 5931 A2
8	7819901	SCREW TTEI M4X12 ISO 7380 A2 INOX
9	7819908	SCREW TTEI M4X8
10	7818002	TAPPING SCREW TB D2.9 X 9.5 UNI 695
11	5071731LL	COVER
12	7552001	ELECTRIC CABLE WITH AUSTRALIAN PLUG
12	7551001	ELECTRIC CABLE WITH USA PLUG L=1.5M
12	7551003	CABLE WITH USA PLUG 250V 20A
12	7555001	ELECTRIC CABLE WITH SHUKO PLUG
12	7555003	SWISS PLUG CABLE H05VV-F 3X1,5 10A
12	7554001	ELECTRIC CABLE WITH ENGLISH PLUG
13	5071730LW	BODY STAINLESS STEEL SATINED
14	5340007LL	MOTOR SUPPORT
15	5963095R	HOPPER WITH SPACER BB005
18	0BDF1	COVER FOR HOPPER 0,25 KG.
19	1R9009950	FEET
20	1R9001804	PLUG
21	7999904	ADHESIVE RUBBER TOP
22	7819911	SCREW TTEI M4X25 INOX
23	7822603	NUT M4 OT
24	7814001	WASHER D4 DIN 6798A A2
25	0BEB04CG	SAFE-FINGER CAP GREY WITH MAGNET
26	5373001	COFFEE-PRESS ABS
27	7990608	BRUSH FOR GRINDER BB005

TABLE 1 - (up to 31/12/2009)
BB005NR

BEZZERA**BB005**

TABLE 1 - (up to 31/12/2009)

BB005NR

POS	CODE	DESCRIPTION
28	7370502	CLAMP HOUSING
29	5522502	LABLE BEZZERA

BEZZERA**BB005**

TABLE 1 - (up to 31/12/2009)

BB005NR

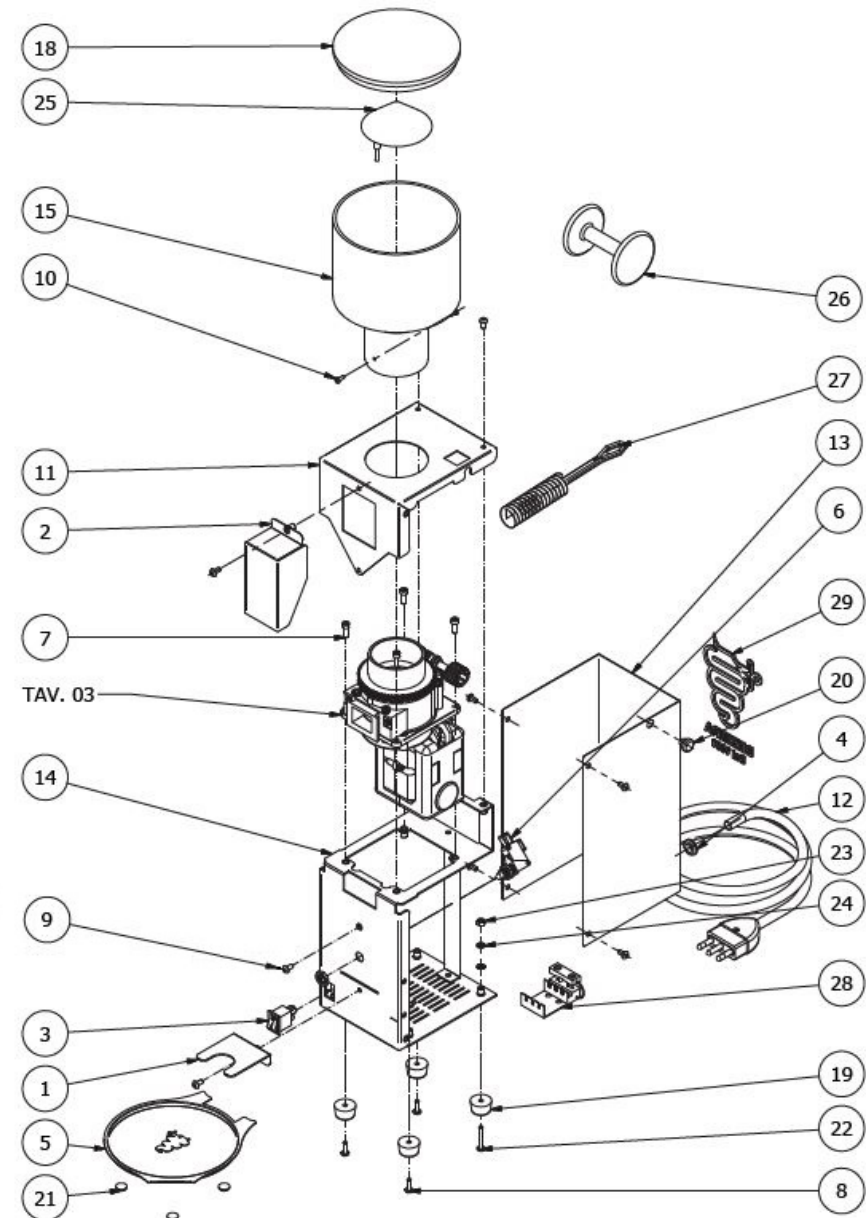


TABLE 1 - (up to 16/09/2010)
BB005NR

POS	CODE	DESCRIPTION
1	5097809.01LL	FILTER HOLDER BRACKET
2	5340008.01	NOZZLE
3	7633333	SWITCH
4	7613007	FAIRLEAD M17V 3121145 RUBBER
5	5070651LW	TRAY
6	7633906	MICROSWITCH 250V
7	7816002	SCREW TCEI M4X12 UNI 5931 A2
8	7819908	SCREW TTEI M4X8
10	5071731.01LL	COVER
11	7555001LL	CABLE H05VV-F 3X1.5 SP.SCHUKO W/FAS
11	7551001LL	CABLE SJTO 3X14AWG USA PLUG
11	7551003LL	CABLE SJTO 3X12AWG USA PLUG
11	7552001LL	CABLE H05VV-F 3X1 AUSTR.PLUG
11	7555003LL	CABLE W/SWITZERLAND PLUG H05VV-F 3X
11	7554001LL	CABLE H05VV-F 3X1 SP.INGL.W/FAST
12	5071730LW	BODY STAINLESS STEEL SATINED
14	5340009.01LL	MOTOR SUPPORT
17	0BDF1	COVER FOR HOPPER 0,25 KG.
18	7822603	NUT M4 OT
19	0BEB04CG	SAFE-FINGER CAP GREY WITH MAGNET
20	5373001	COFFEE-PRESS ABS
21	7990608	BRUSH FOR GRINDER BB005
22	5522502	LABLE BEZZERA
24	7818002	TAPPING SCREW TB D2.9 X 9.5 UNI 695
27	7474212	ADHESIVE FEET
30	5224021	PIN ADJUSTMENT GRIND
31	5471505	CALIBRATED SPRING D0.45 H22 AISI302
32	7822603	NUT M4 OT
33	7819901	SCREW TTEI M4X12 ISO 7380 A2 INOX
34	7614005	CABLE-PRESS </td

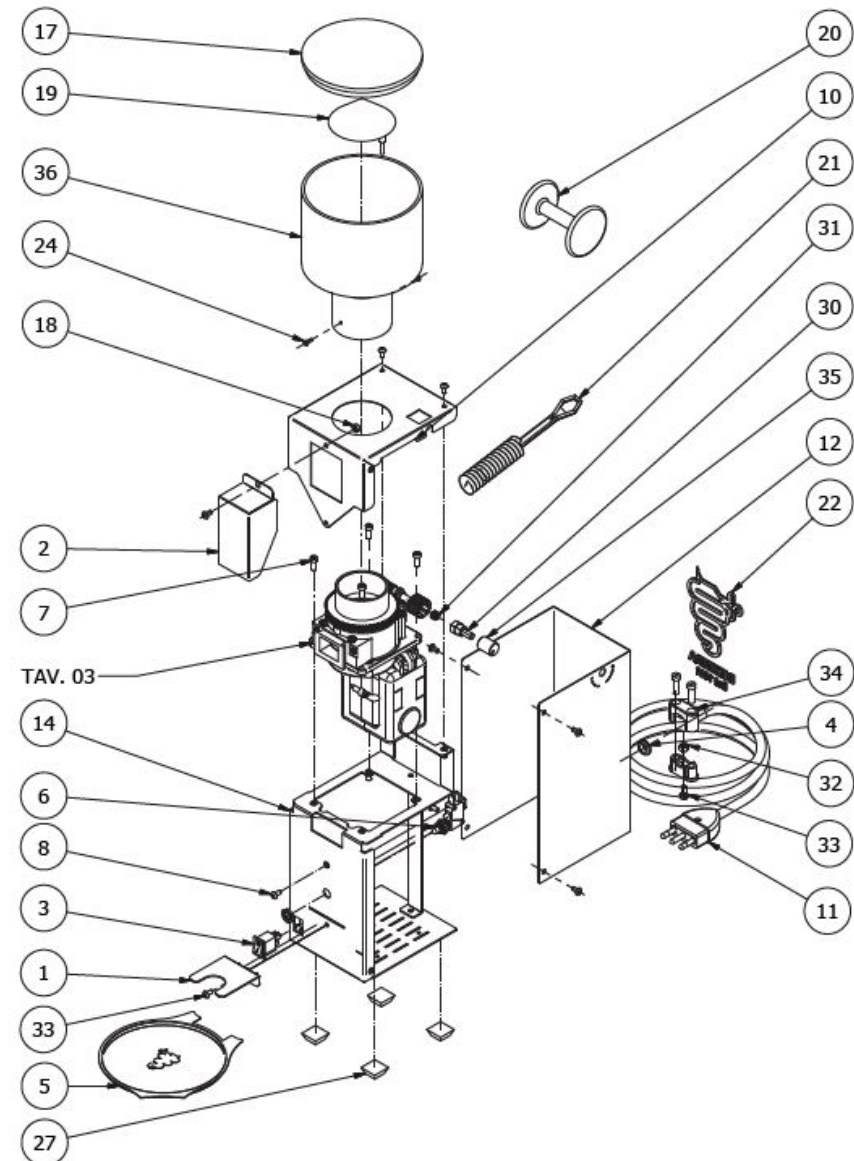
TABLE 1 - (up to 16/09/2010)
BB005NR

TABLE 1 - (up to 16/09/2010)
BB005NR

POS	CODE	DESCRIPTION
35	5999911LL	KNOB ALUMINIUM D14 W/GRAIN
36	5963095R	HOPPER WITH SPACER BB005

TABLE 1 - (up to 16/09/2010)
BB005NR

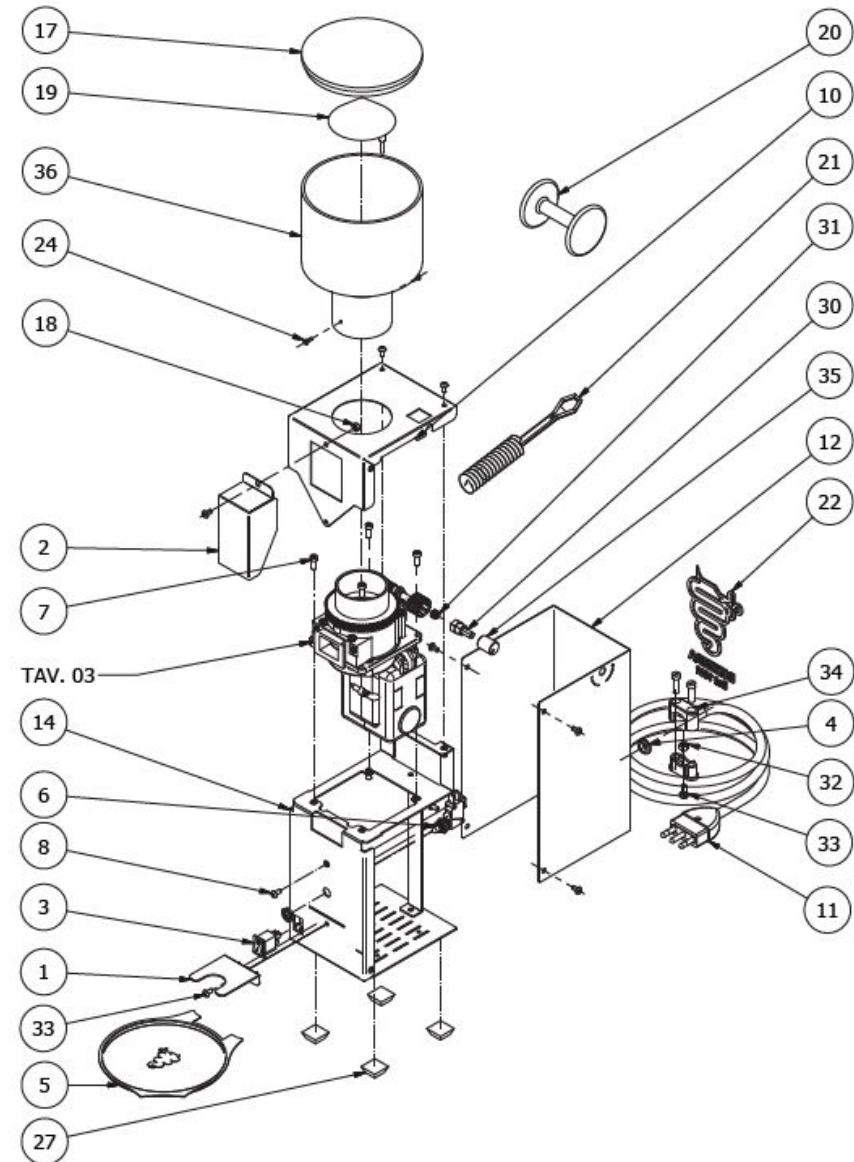


TABLE 1 - (from 17/09/2010)
BB005NR

POS	CODE	DESCRIPTION
1	5097809.01LL	FILTER HOLDER BRACKET
2	5340008.03LL	SLIDE COMPLETE FOR BB005TM W/COMP.
3	7633333	SWITCH
4	7613007	FAIRLEAD M17V 3121145 RUBBER
5	5070651LW	TRAY
6	7633906	MICROSWITCH 250V
7	7816002	SCREW TCEI M4X12 UNI 5931 A2
8	7819908	SCREW TTEI M4X8
9	5071731.02LL	ASSY COVER SUPPORT BB005 W/COMPASSE
10	7555001LL	CABLE H05VV-F 3X1.5 SP.SCHUKO W/FAS
10	7551001LL	CABLE SJTO 3X14AWG USA PLUG
10	7551003LL	CABLE SJTO 3X12AWG USA PLUG
10	7552001LL	CABLE H05VV-F 3X1 AUSTR.PLUG
10	7555003LL	CABLE W/SWITZERLAND PLUG H05VV-F 3X
10	7554001LL	CABLE H05VV-F 3X1 SP.INGL.W/FAST
10	7551006LL	CABLE TAIWAN PLUG 110V BSMI
11	5071729.01LW	BODY STAINLESS STEEL SATINED
12	5340009.02LL	ASSY MOTOR SUPPORT BB005 W/
13	5963095R	HOPPER WITH SPACER BB005
15	0BDF1	COVER FOR HOPPER 0,25 KG.
16	7305504	PLASTIC PLUG SP-343 BLACK
18	0BEB04CG	SAFE-FINGER CAP GREY WITH MAGNET
19	5373001	COFFEE-PRESS ABS
20	7990608	BRUSH FOR GRINDER BB005
21	5522502	LABLE BEZZERA
22	7818002	TAPPING SCREW TB D2.9 X 9.5 UNI 695
23	7474212	ADHESIVE FEET
24	5224021	PIN ADJUSTMENT GRIND
25	5999911LL	KNOB ALUMINIUM D14 W/GRAIN
26	5471505	CALIBRATED SPRING D0.45 H22 AISI302

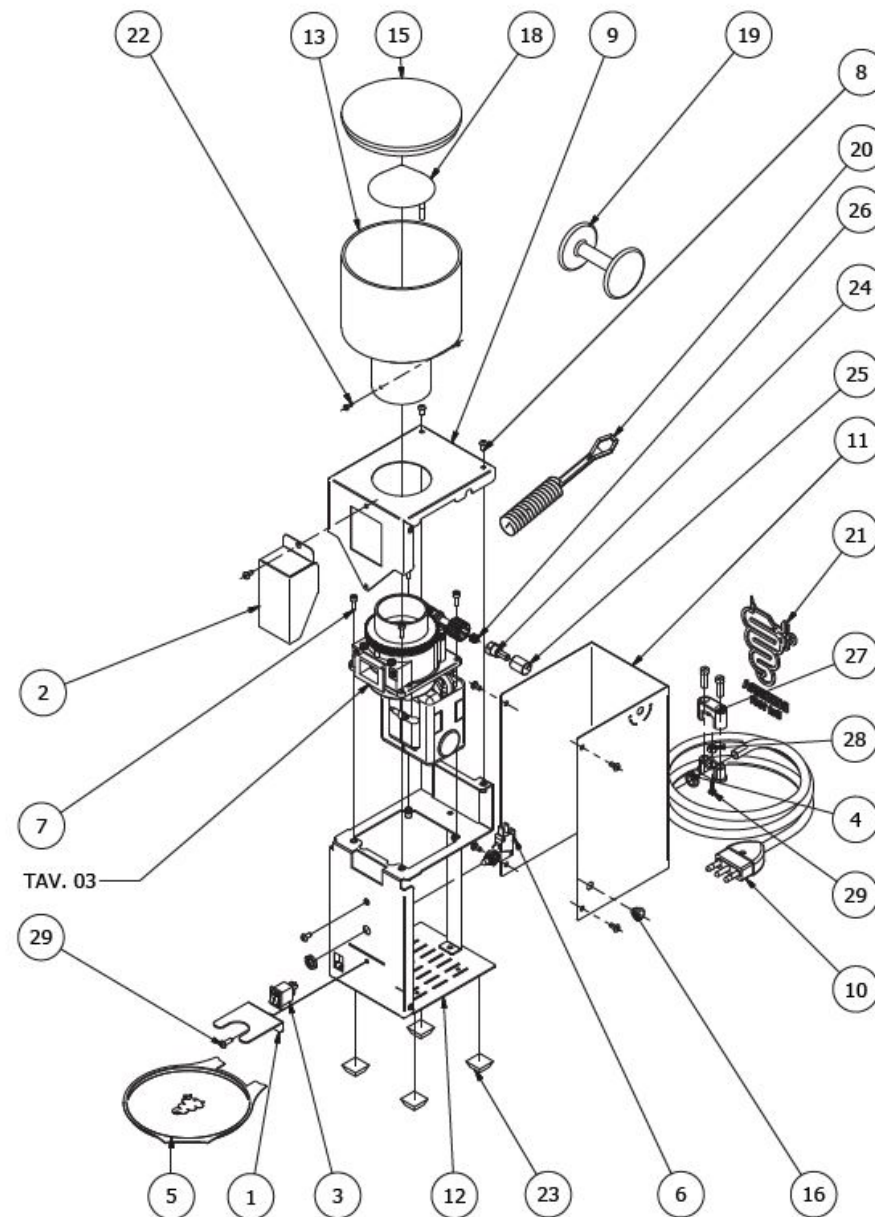
TABLE 1 - (from 17/09/2010)
BB005NR

TABLE 1 - (from 17/09/2010)
BB005NR

POS	CODE	DESCRIPTION
27	7614005	CABLE-PRESS
28	7822603	NUT M4 OT
29	7819901	SCREW TTEI M4X12 ISO 7380 A2 INOX

TABLE 1 - (from 17/09/2010)
BB005NR

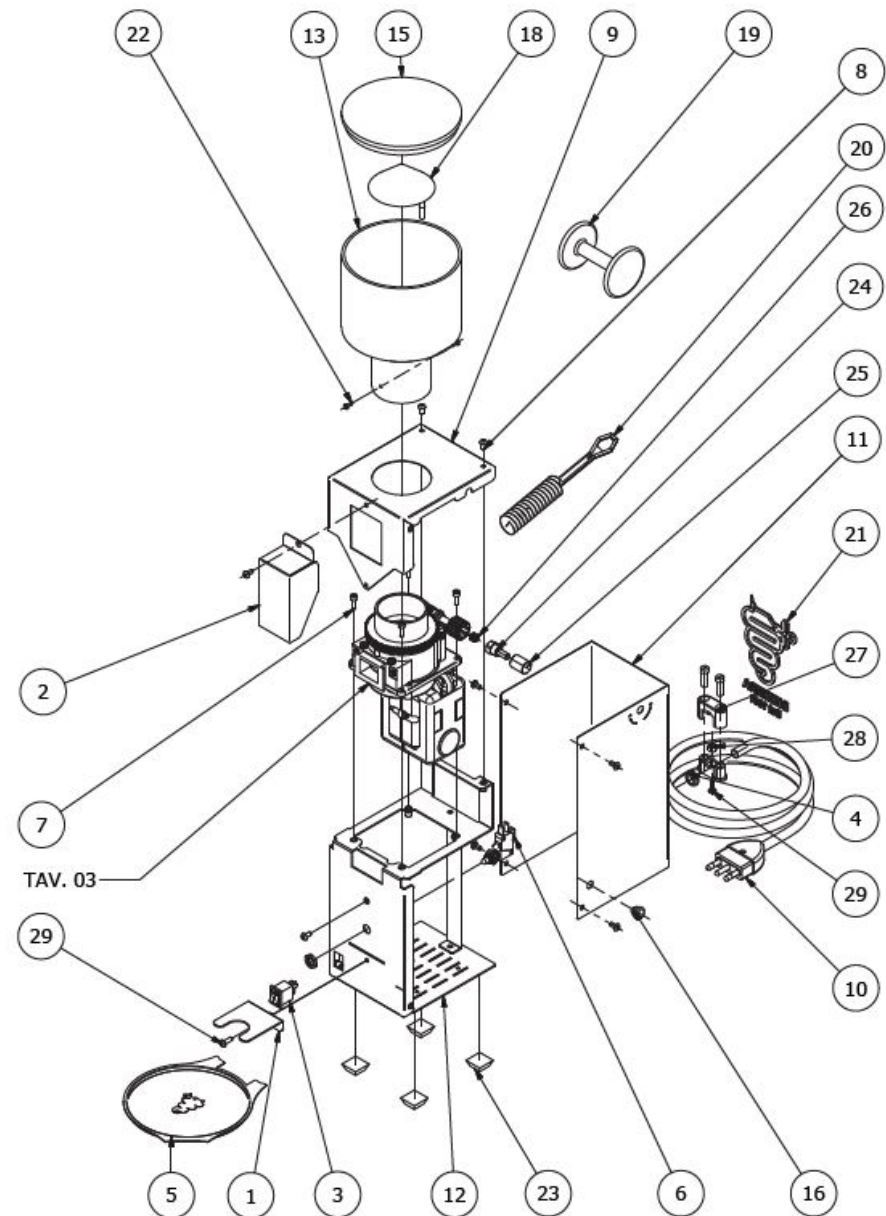


TABLE 2 - (up to 31/12/2009)
BB005TM

POS	CODE	DESCRIPTION
1	5097809.01LL	FILTER HOLDER BRACKET
2	5340008LL	SLIDE COMPLETE FOR BB005TM W/COMP.
3	7667015	TIMER 110V
3	7667014	TIMER CARD BB005 230/240V
4	7633333	SWITCH
5	7613007	FAIRLEAD M17V 3121145 RUBBER
6	5070651LW	TRAY
7	7633906	MICROSWITCH 250V
8	7816002	SCREW TCEI M4X12 UNI 5931 A2
9	7819901	SCREW TTEI M4X12 ISO 7380 A2 INOX
10	7819908	SCREW TTEI M4X8
11	7818002	TAPPING SCREW TB D2.9 X 9.5 UNI 695
12	7809809	PLASTIC SCREW TCI M3X5 DIN7985
13	5999910LL	KNOB ALUMINIUM D37,5 W/GRAIN
14	5071731LL	COVER
15	7555001	ELECTRIC CABLE WITH SHUKO PLUG
15	7551001	ELECTRIC CABLE WITH USA PLUG L=1.5M
15	7551003	CABLE WITH USA PLUG 250V 20A
15	7552001	ELECTRIC CABLE WITH AUSTRALIAN PLUG
15	7555003	SWISS PLUG CABLE H05VV-F 3X1,5 10A
15	7554001	ELECTRIC CABLE WITH ENGLISH PLUG
16	5071729LW	BODY STAINLESS STEEL SATINED X TIMER
17	5222204	SPACER M3 ES.6 H11 OT
18	5340009LL	MOTOR SUPPORT
19	5963095R	HOPPER WITH SPACER BB005
22	0BDF1	COVER FOR HOPPER 0,25 KG.
23	1R9009950	FEET
24	1R9001804	PLUG
25	7999904	ADHESIVE RUBBER TOP
26	7819911	SCREW TTEI M4X25 INOX

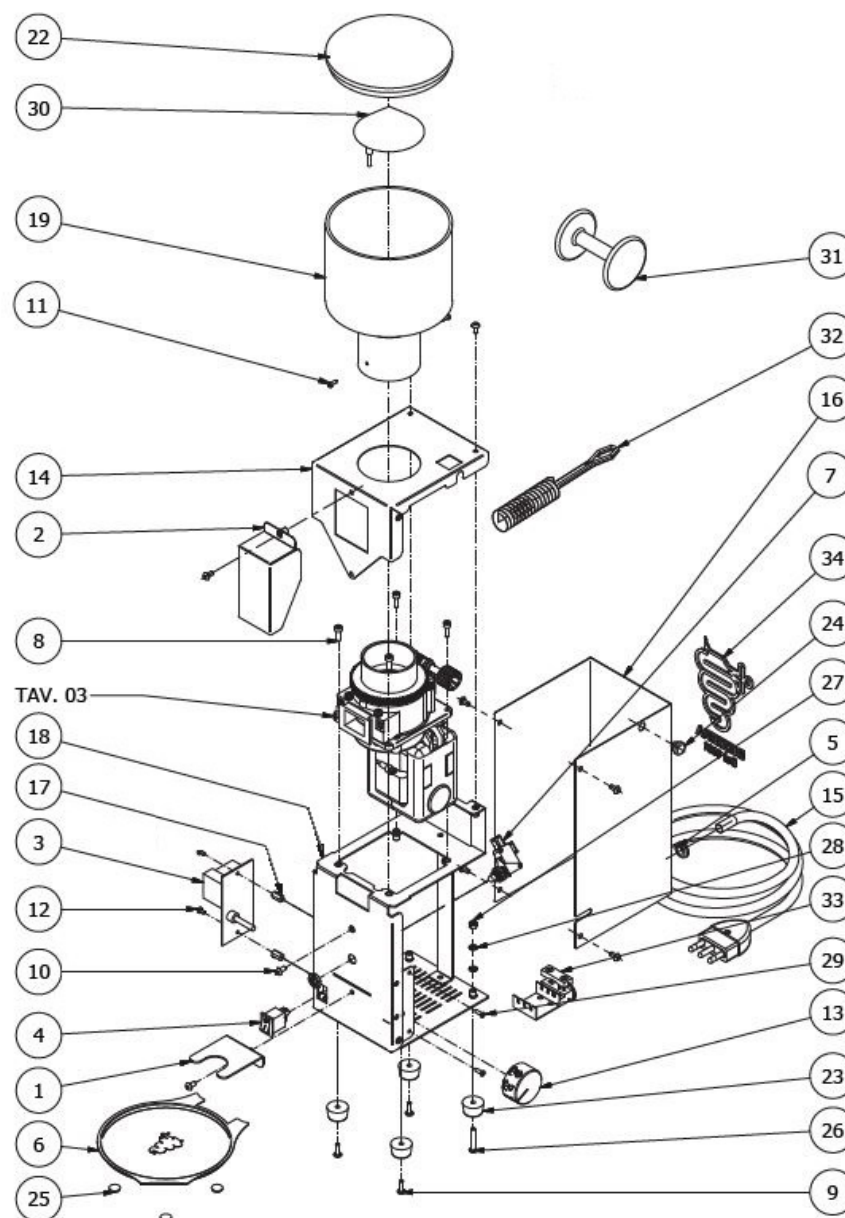
TABLE 2 - (up to 31/12/2009)
BB005TM

TABLE 2 - (up to 31/12/2009)
BB005TM

POS	CODE	DESCRIPTION
27	7822603	NUT M4 OT
28	7814001	WASHER D4 DIN 6798A A2
29	7817803	SCREW TPS M3X10 UNI 7688 DIN 965 A2
30	0BEB04CG	SAFE-FINGER CAP GREY WITH MAGNET
31	5373001	COFFEE-PRESS ABS
32	7990608	BRUSH FOR GRINDER BB005
33	7370502	CLAMP HOUSING
34	5522502	LABLE BEZZERA

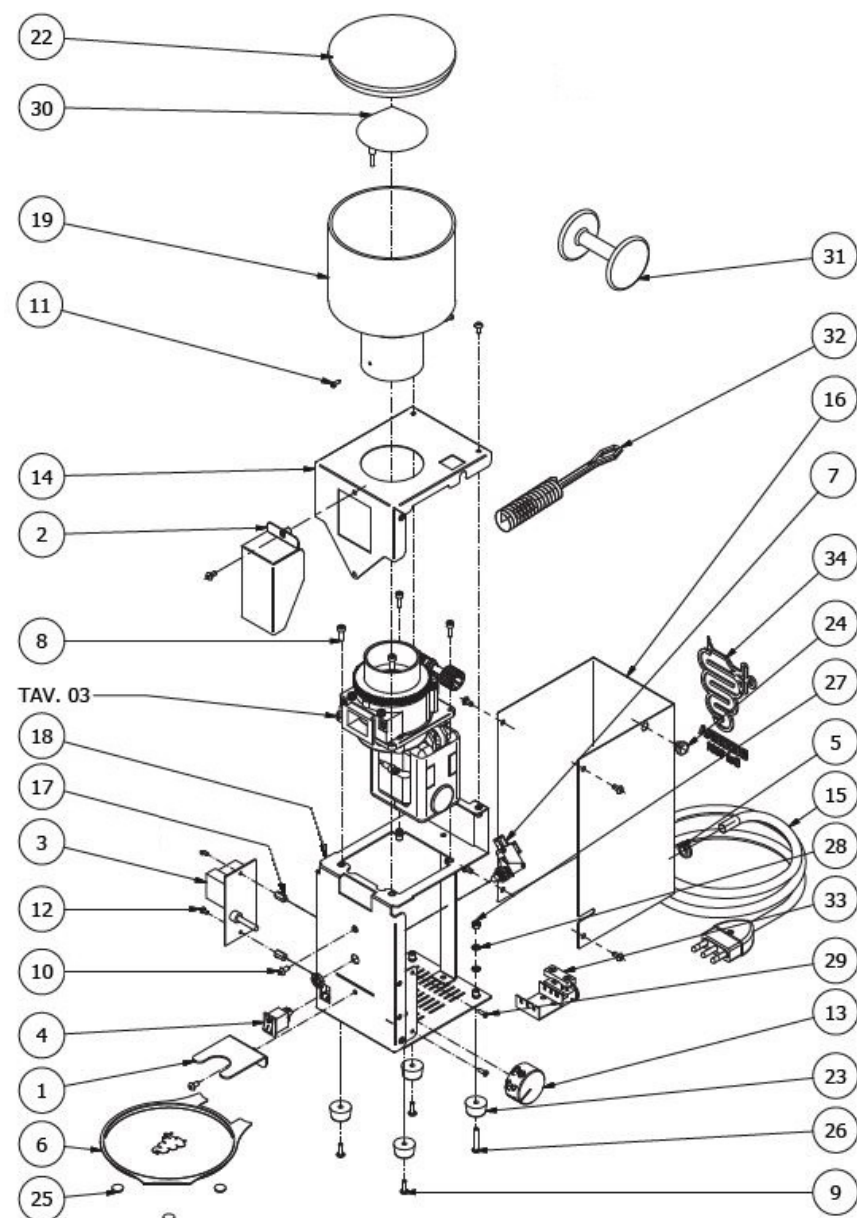
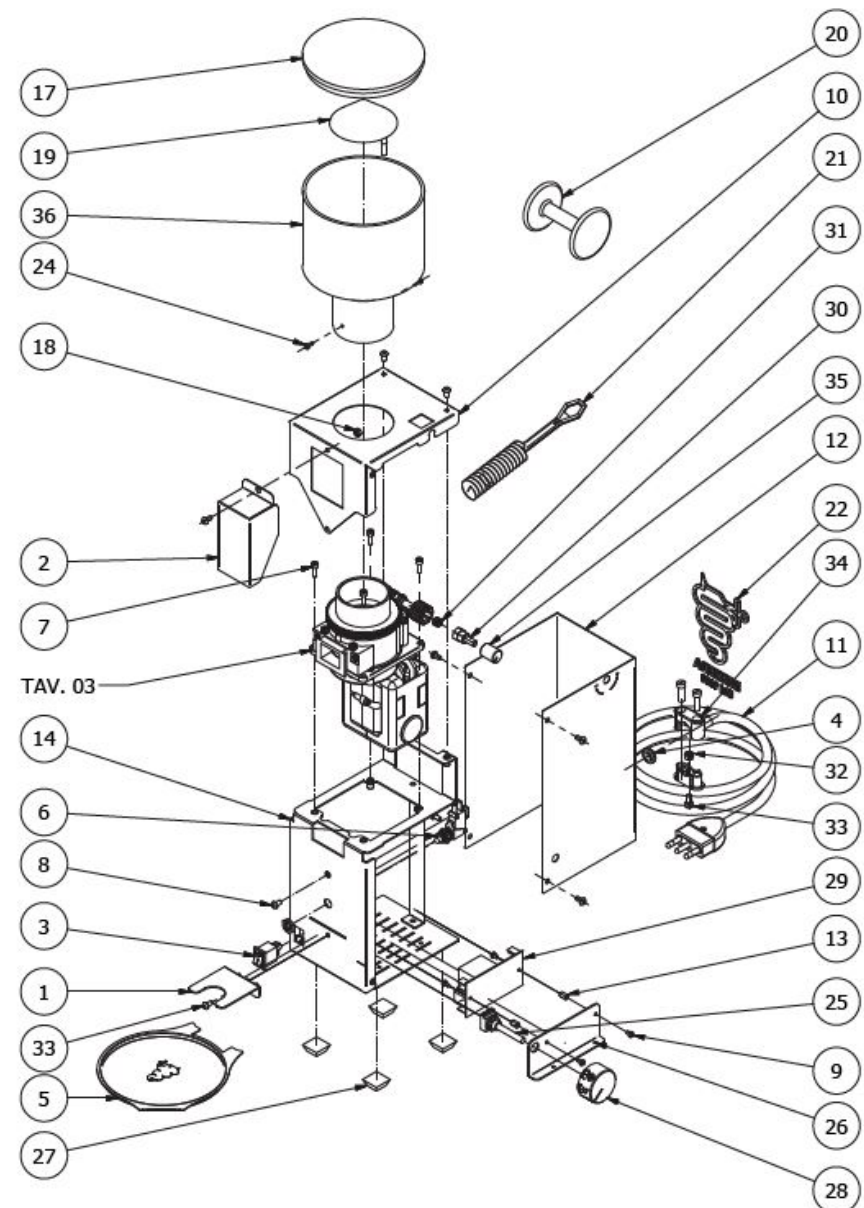
TABLE 2 - (up to 31/12/2009)
BB005TM

TABLE 2 - (up to 16/09/2009)
BB005TM

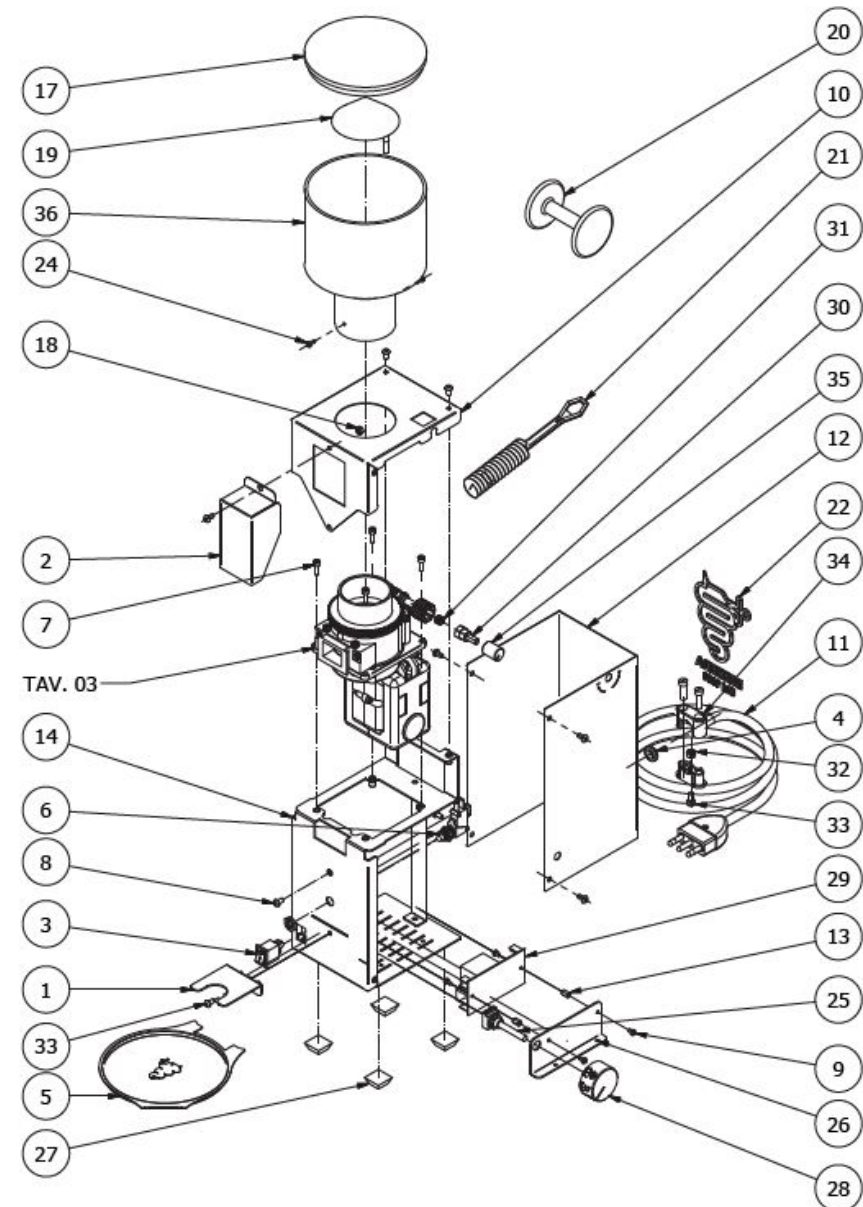
POS	CODE	DESCRIPTION
1	5097809.01LL	FILTER HOLDER BRACKET
2	5340008.01	NOZZLE
3	7633333	SWITCH
4	7613007	FAIRLEAD M17V 3121145 RUBBER
5	5070651LW	TRAY
6	7633906	MICROSWITCH 250V
7	7816002	SCREW TCEI M4X12 UNI 5931 A2
8	7819908	SCREW TTEI M4X8
9	7809809	PLASTIC SCREW TCI M3X5 DIN7985
10	5071731.01LL	COVER
11	7551001LL	CABLE SJTO 3X14AWG USA PLUG
11	7551003LL	CABLE SJTO 3X12AWG USA PLUG
11	7552001LL	CABLE H05VV-F 3X1 AUSTR.PLUG
11	7555003LL	CABLE W/SWITZERLAND PLUG H05VV-F 3X
11	7554001LL	CABLE H05VV-F 3X1 SP.INGL.W/FAST
11	7555001LL	CABLE H05VV-F 3X1.5 SP.SCHUKO W/FAS
12	5071729LW	BODY STAINLESS STEEL SATINED
13	7639915	PLASTIC SPACER M3X8
14	5340009.01LL	MOTOR SUPPORT
17	0BDF1	COVER FOR HOPPER 0,25 KG.
18	7822603	NUT M4 OT
19	0BEB04CG	SAFE-FINGER CAP GREY WITH MAGNET
20	5373001	COFFEE-PRESS ABS
21	7990608	BRUSH FOR GRINDER BB005
22	5522502	LABLE BEZZERA
24	7818002	TAPPING SCREW TB D2.9 X 9.5 UNI 695
25	5963094	POTENTIOMETER COMPLETE BB005TM
26	5055748.01LW	TIMER SUPPORT
27	7474212	ADHESIVE FEET
28	5999910LL	KNOB ALUMINIUM D37,5 W/GRAIN

TABLE 2 - (up to 16/09/2009)
BB005TM

TAV. 03

BEZZERA**BB005**TABLE 2 - (up to 16/09/2009)
BB005TM

POS	CODE	DESCRIPTION
29	7667014.01	TIMER CARD BB005 230/240V
29	7667015.01	TIMER 110V
30	5224021	PIN ADJUSTMENT GRIND
31	5471505	CALIBRATED SPRING D0.45 H22 AISI302
32	7822603	NUT M4 OT
33	7819901	SCREW TTEI M4X12 ISO 7380 A2 INOX
34	7614005	CABLE-PRESS
35	5999911LL	KNOB ALUMINIUM D14 W/GRAIN
36	5963095R	HOPPER WITH SPACER BB005

BEZZERA**BB005**TABLE 2 - (up to 16/09/2009)
BB005TM

BEZZERA

BB005

TABLE 2 - (from 17/09/2010)
BB005TM

POS	CODE	DESCRIPTION
1	5097809.01LL	FILTER HOLDER BRACKET
2	5340008.03LL	SLIDE COMPLETE FOR BB005TM W/COMP.
3	7633333	SWITCH
4	7613007	FAIRLEAD M17V 3121145 RUBBER
5	5070651LW	TRAY
6	7633906	MICROSWITCH 250V
7	7816002	SCREW TCEI M4X12 UNI 5931 A2
8	7819908	SCREW TTEI M4X8
9	7809809	PLASTIC SCREW TCI M3X5 DIN7985
10	5071731.02LL	ASSY COVER SUPPORT BB005 W/COMPASSE
11	7555001LL	CABLE H05VV-F 3X1.5 SP.SCHUKO W/FAS
11	7551001LL	CABLE SJTO 3X14AWG USA PLUG
11	7551003LL	CABLE SJTO 3X12AWG USA PLUG
11	7552001LL	CABLE H05VV-F 3X1 AUSTR.PLUG
11	7555003LL	CABLE W/SWITZERLAND PLUG H05VV-F 3X
11	7554001LL	CABLE H05VV-F 3X1 SP.INGL.W/FAST
11	7551006LL	CABLE TAIWAN PLUG 110V BSMI
12	5071729.01LW	BODY STAINLESS STEEL SATINED
13	7639915	PLASTIC SPACER M3X8
14	5340009.02LL	ASSY MOTOR SUPPORT BB005 W/COMPASSES
15	5963095R	HOPPER WITH SPACER BB005
17	0BDF1	COVER FOR HOPPER 0,25 KG.
19	0BEB04CG	SAFE-FINGER CAP GREY WITH MAGNET
20	5373001	COFFEE-PRESS ABS
21	7990608	BRUSH FOR GRINDER BB005
22	5522502	LABLE BEZZERA
23	7818002	TAPPING SCREW TB D2.9 X 9.5 UNI 695
24	5963094	POTENTIOMETER COMPLETE BB005TM
25	5055748.01LW	TIMER SUPPORT
26	7474212	ADHESIVE FEET

BEZZERA

BB005

TABLE 2 - (from 17/09/2010)
BB005TM

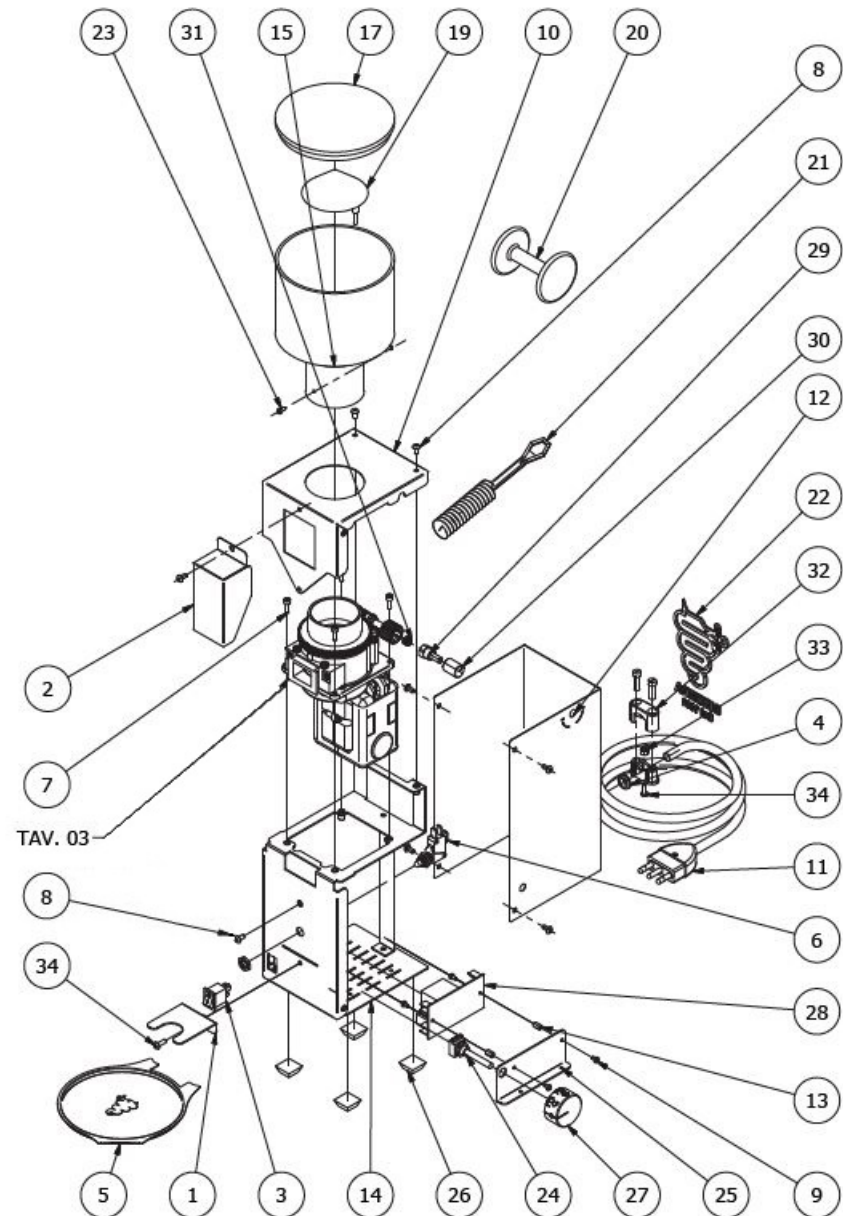


TABLE 2 - (from 17/09/2010)
BB005TM

POS	CODE	DESCRIPTION
27	5999910LL	KNOB ALUMINIUM D37,5 W/GRAIN
28	7667014.01	TIMER CARD BB005 230/240V
28	7667015.01	TIMER 110V
29	5224021	PIN ADJUSTMENT GRIND
30	5999911LL	KNOB ALUMINIUM D14 W/GRAIN
31	5471505	CALIBRATED SPRING D0.45 H22 AISI302
32	7614005	CABLE-PRESS
33	7822603	NUT M4 OT
34	7819901	SCREW TTEI M4X12 ISO 7380 A2 INOX

TABLE 2 - (from 17/09/2010)
BB005TM

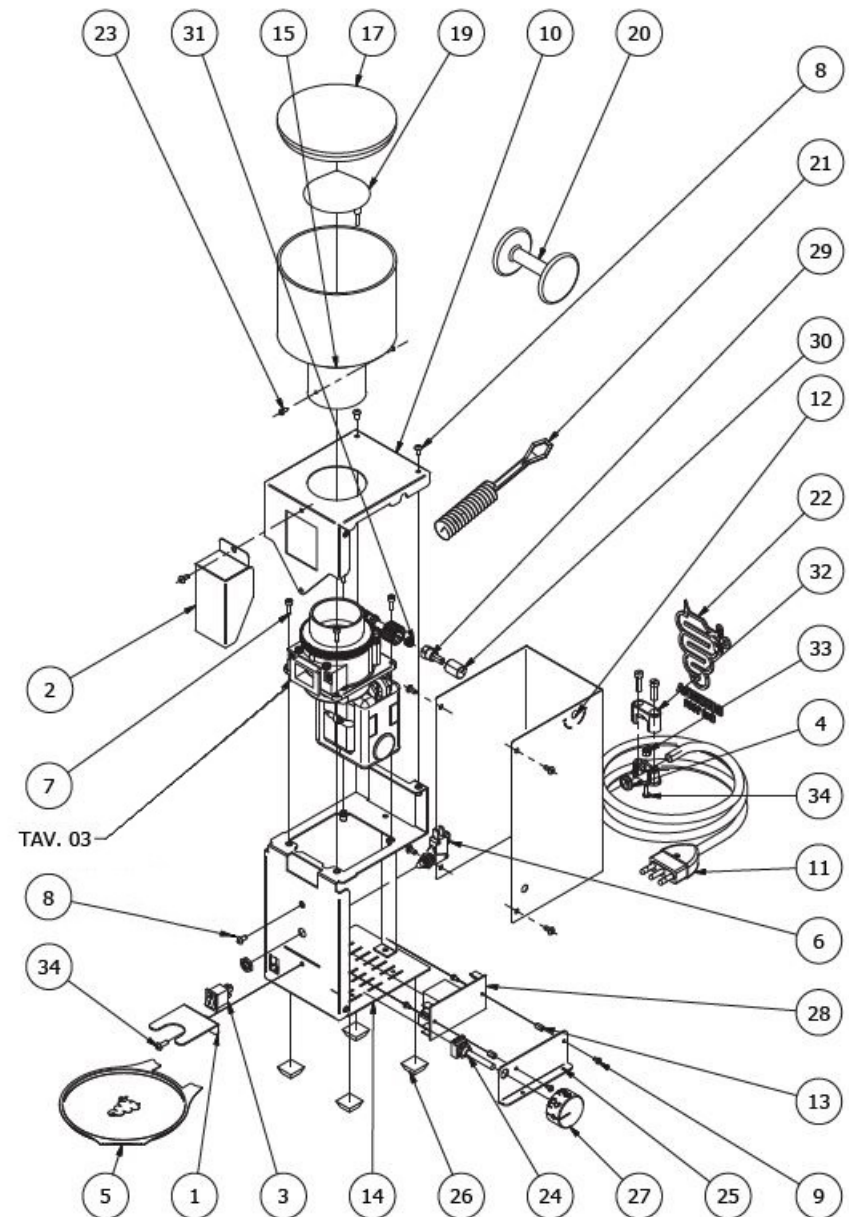
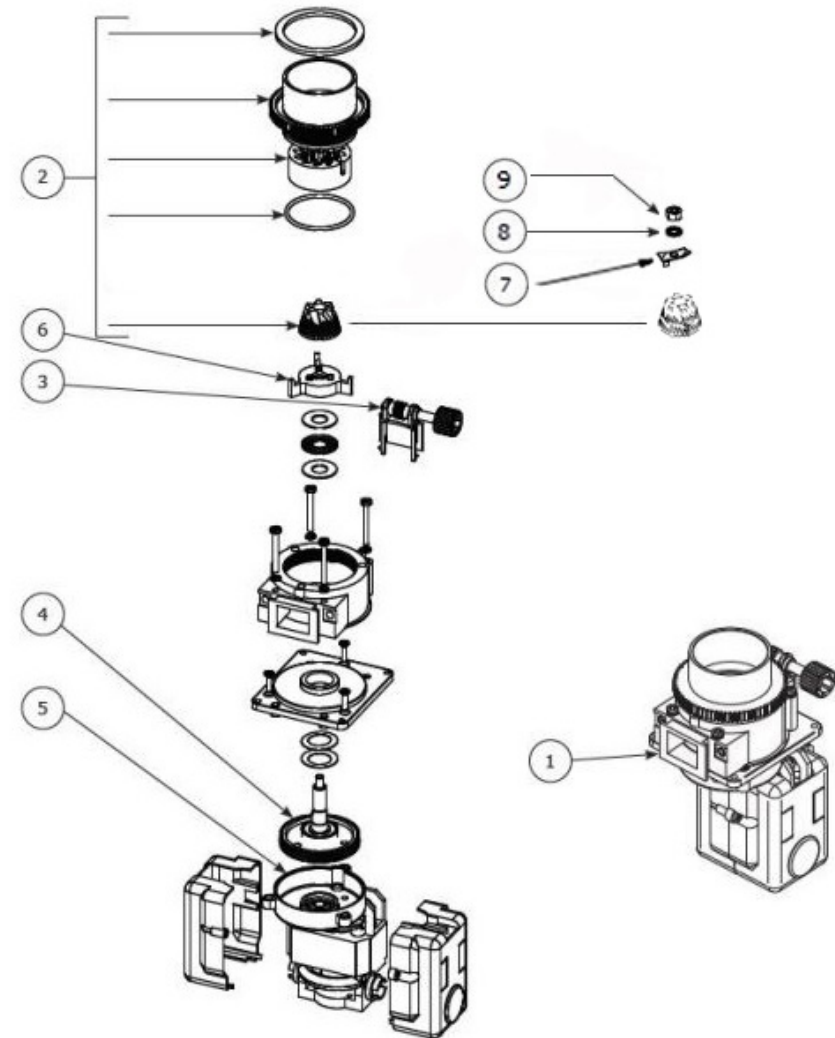


TABLE 3
BB005NR / BB005TM

POS	CODE	DESCRIPTION
1	7479980	CONICAL GRINDER BLADES 110V/50HZ
1	7479979	CONICAL GRINDER BLADES 230V/50HZ
2	0C201R0080F	BB005 FLANGE COMPLETE OF GRINDSTONE
3	0C201A4015C	BB005 RIGHT REGULATOR COMPLETE
4	0C201R4012A	PLASTIC GEAR ASSEMBLY DIAMETER HOLE 10mm (NEW VERSION)
4	0C201R4011D	PLASTIC GEAR ASSEMBLY DIAMETER HOLE 8mm (OLD VERSION)
5	0C106A1005I	MOTOR COFFEE GRINDER COMPLETE 230/
5	0C106R1012B	MOTOR ASSEMBLY 110V
6	0C101A0238B	FAN FOR BB005
7	0C104A0200A	SPLITTER BLADE
8	0C104A0201A	WASHER 6 INOX
9	0C104A0300A	NUT M6 LH INOX

TABLE 3
BB005NR / BB005TM





G. BEZZERA S.R.L.
MACCHINE PER CAFFE' ESPRESSO
Via Luigi Bezzera, 1
20088 Rosate - Milano - Italy
Tel. ++39 02 90848102 r.a. - Telefax ++39 02 90870287
Web: www.bezzera.com
e-mail: admin@bezzera.it