



**SOLE**

**COD. 9942080**

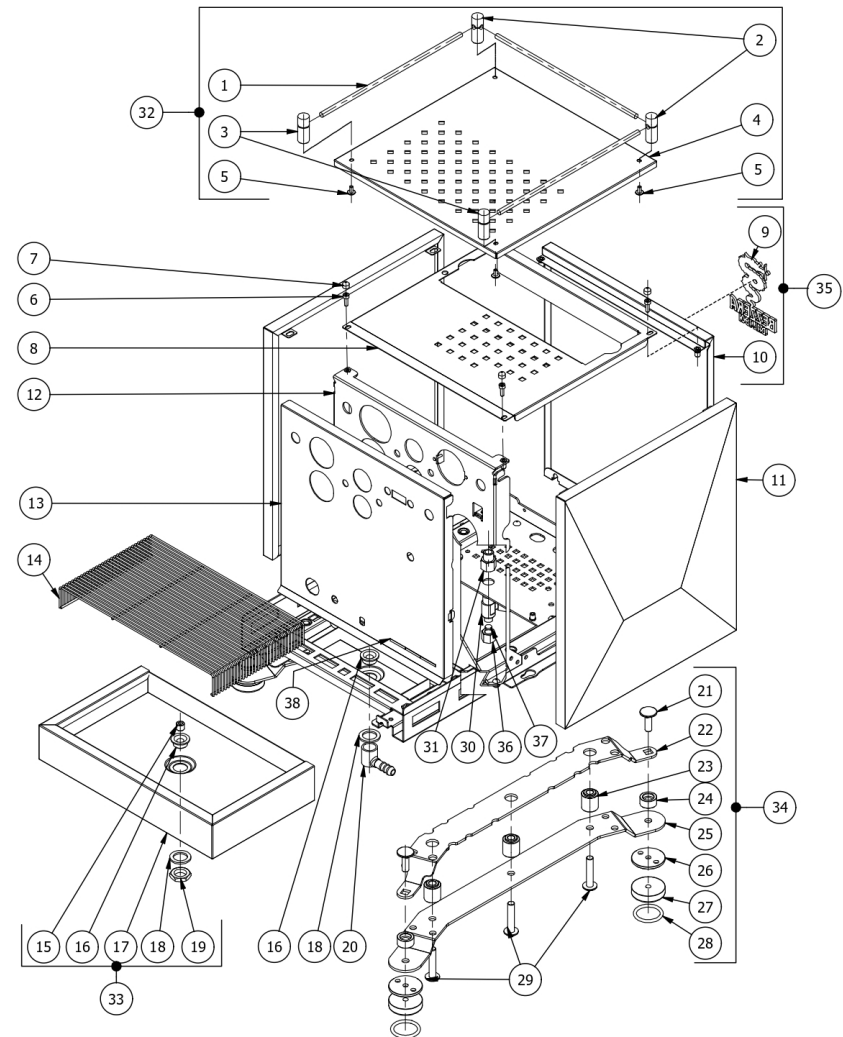
**REV. 02 ed.02/26**



TABLE 1  
SOLE

| POS | CODE         | DESCRIPTION                                      |
|-----|--------------|--|
| 1   | 5260208DL    | CUP-HEATER EDGE                                  |
| 2   | 5055765DL    | BACKSIDE EDGE SUPPORT FOR CUP-HEATER             |
| 3   | 5055764DL    | FRONTAL SIDE EDGE SUPPORT FOR CUP-HEATER         |
| 4   | 5074692      | CUP-HEATER GRID                                  |
| 5   | 7809814      | SCREW TBEI M4X8                                  |
| 6   | 7816002      | SCREW TCEI M4X12 UNI 5931 A2                     |
| 7   | 5373110      | BOLT COVER                                       |
| 8   | 5056363      | CUP-HEATER                                       |
| 9   | 5522523      | BEZZERA LABEL + LOGO BLACK                       |
| 10  | 5011726LL-VN | SOLE BACKSIDE MATT BLACK W/COMPASSES             |
| 10  | 5011726LL-YI | SOLE BACKSIDE MATT WHITE W/COMPASSES             |
| 10  | 5011726LL-YV | SOLE BACKSIDE MATT GREEN W/COMPASSES             |
| 10  | 5071740LL    | SOLE BACKSIDE STAINLESS STEEL W/COMPASSES        |
| 11  | 5011725LL-VN | SOLE LEFT/RIGHT SIDE MATT BLACK W/COMPASSES      |
| 11  | 5011725LL-YI | SOLE LEFT/RIGHT SIDE MATT WHITE W/COMPASSES      |
| 11  | 5011725LL-YV | SOLE LEFT/RIGHT SIDE MATT GREEN W/COMPASSES      |
| 11  | 5071739LL    | SOLE LEFT/RIGHT SIDE STAINLESS STEEL W/COMPASSES |
| 12  | 5964796.01R  | SOLE ASSY CHASSIS                                |
| 13  | 5074933SG    | SOLE FRONTAL GROUP PANEL                         |
| 14  | 5261013      | WIRE DISCHARGE GRID DUO/MATRIX                   |
| 15  | 7823001      | DOWEL EI 1/8                                     |
| 16  | 5225230NC    | FITTING 3/8" G NICKEL                            |
| 17  | 5968159.01R  | ASSY DRIP TRAY BLACK + ADHESIVE                  |
| 17  | 5968160.01R  | ASSY DRIP TRAY WHITE + ADHESIVE                  |
| 17  | 5968161.01R  | ASSY DRIP TRAY GREEN + ADHESIVE                  |
| 17  | 5968127.01R  | ASSY TRAY DUO / MATRIX + PTFE                    |
| 18  | 5492022      | GASKET D25 X 17 X 2 ASBESTOS FREE                |
| 19  | 5221826      | NUT 3/8  |
| 20  | 5224403.01NC | RUBBER-HOLDER                                    |
| 21  | 7809909DL    | SCREW POELIER M8X25                              |

TABLE 1  
SOLE



**BEZZERA**

**SOLE**

TABLE 1  
SOLE

| POS | CODE          | DESCRIPTION                                |
|-----|---------------|--|
| 22  | 5059005VN     | SUPERIOR LEFT/RIGHT BLACK FOOT             |
| 23  | 5262209       | CENTRAL FOOT SPACER                        |
| 24  | 5262210       | FOOT SPACER                                |
| 25  | 5059004VN     | INFERIOR LEFT/RIGHT BLACK FOOT             |
| 26  | 5059007       | FOOT REGULATION WASHER                     |
| 27  | 5059006       | FOOT                                       |
| 28  | 7496105       | OR GASKET                                  |
| 29  | 7809910       | SCREW M8X40                                |
| 30  | 7451506       | MINI VALVE MINI BALL 1/4-1/8               |
| 31  | 5302029       | REDUCTION GEAR 1/4                         |
| 32  | 5961856       | ASSY CUP-HEATER                            |
| 33  | 5968146.01    | ASSY TRAY BLACK DUO/MATRIX                 |
| 33  | 5968157.01    | ASSY TRAY MATT WHITE W/DISCHARGE           |
| 33  | 5968158.01    | ASSY TRAY GREEN DUO/MATRIX                 |
| 33  | 5968124.01    | ASSY TRAY DUO/MATRIX W/DISCHARGE           |
| 34  | 5962638       | ASSY SOLE'S FOOT                           |
| 35  | 5011726LL-YVR | SOLE BACKSIDE PANEL MATT GREEN W/LOGO      |
| 35  | 5071740LLR    | SOLE BACKSIDE PANEL STAINLESS STEEL W/LOGO |
| 35  | 5011726LL-VNR | SOLE BACKSIDE PANEL MATT BLACK W/LOGO      |
| 35  | 5011726LL-YIR | SOLE BACKSIDE PANEL MATT WHITE W/LOGO      |
| 36  | 5221835       | CAP NUT 1/8                                |
| 37  | 5492019       | GASKET D8 X 2 ASBESTOS FREE                |
| 38  | 5521556       | ITALY FLAG ADHESIVE 3,5"                   |

**BEZZERA**

**SOLE**

TABLE 1  
SOLE

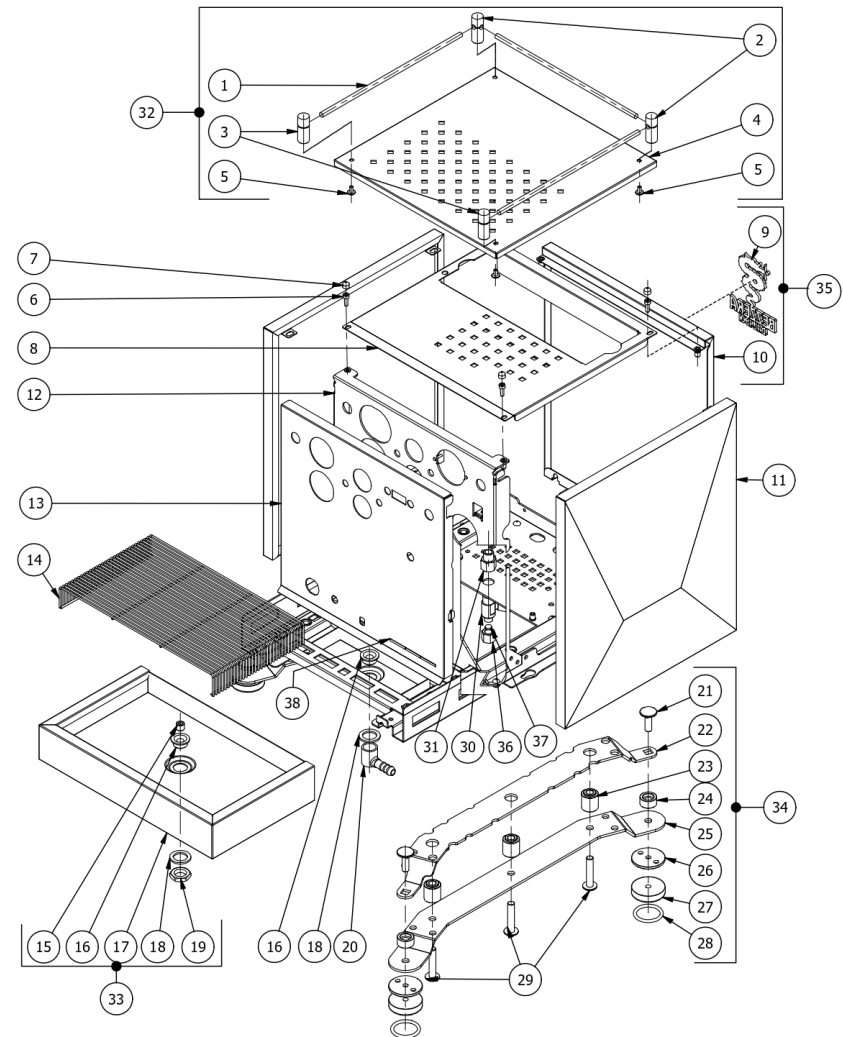


TABLE 1A  
SOLE FAST HEATING

| POS | CODE         | DESCRIPTION                                      |
|-----|--------------|--|
| 1   | 5260208DL    | CUP-HEATER EDGE                                  |
| 2   | 5055765DL    | BACKSIDE EDGE SUPPORT FOR CUP-HEATER             |
| 3   | 5055764DL    | FRONTAL SIDE EDGE SUPPORT FOR CUP-HEATER         |
| 4   | 5074692      | CUP-HEATER GRID                                  |
| 5   | 7809814      | SCREW TBEI M4X8                                  |
| 6   | 7816002      | SCREW TCEI M4X12 UNI 5931 A2                     |
| 7   | 5373110      | BOLT COVER                                       |
| 8   | 5056363      | CUP-HEATER                                       |
| 9   | 5522523      | BEZZERA LABEL + LOGO BLACK                       |
| 10  | 5071740LL    | SOLE BACKSIDE STAINLESS STEEL W/COMPASSES        |
| 10  | 5011726LL-VN | SOLE BACKSIDE MATT BLACK W/COMPASSES             |
| 10  | 5011726LL-YI | SOLE BACKSIDE MATT WHITE W/COMPASSES             |
| 10  | 5011726LL-YV | SOLE BACKSIDE MATT GREEN W/COMPASSES             |
| 11  | 5071739LL    | SOLE LEFT/RIGHT SIDE STAINLESS STEEL W/COMPASSES |
| 11  | 5011725LL-VN | SOLE LEFT/RIGHT SIDE MATT BLACK W/COMPASSES      |
| 11  | 5011725LL-YI | SOLE LEFT/RIGHT SIDE MATT WHITE W/COMPASSES      |
| 11  | 5011725LL-YV | SOLE LEFT/RIGHT SIDE MATT GREEN W/COMPASSES      |
| 12  | 5964796.02R  | SOLE ASSY CHASSIS                                |
| 13  | 5074946SG    | SOLE FRONTAL GROUP PANEL                         |
| 14  | 5261013      | WIRE DISCHARGE GRID DUO/MATRIX                   |
| 15  | 7823001      | DOWEL EI 1/8                                     |
| 16  | 5225230NC    | FITTING 3/8" G NICKEL                            |
| 17  | 5968127R     | ASSY TRAY DUO / MATRIX + PTFE                    |
| 17  | 5968159R     | ASSY DRIP TRAY BLACK + ADHESIVE                  |
| 17  | 5968160R     | ASSY DRIP TRAY WHITE + ADHESIVE                  |
| 17  | 5968161R     | ASSY DRIP TRAY GREEN + ADHESIVE                  |
| 18  | 5492022      | GASKET D25 X 17 X 2 ASBESTOS FREE                |
| 19  | 5221826      | NUT 3/8  |
| 20  | 5224403.01NC | RUBBER-HOLDER                                    |
| 21  | 7809909DL    | SCREW POELIER M8X25                              |

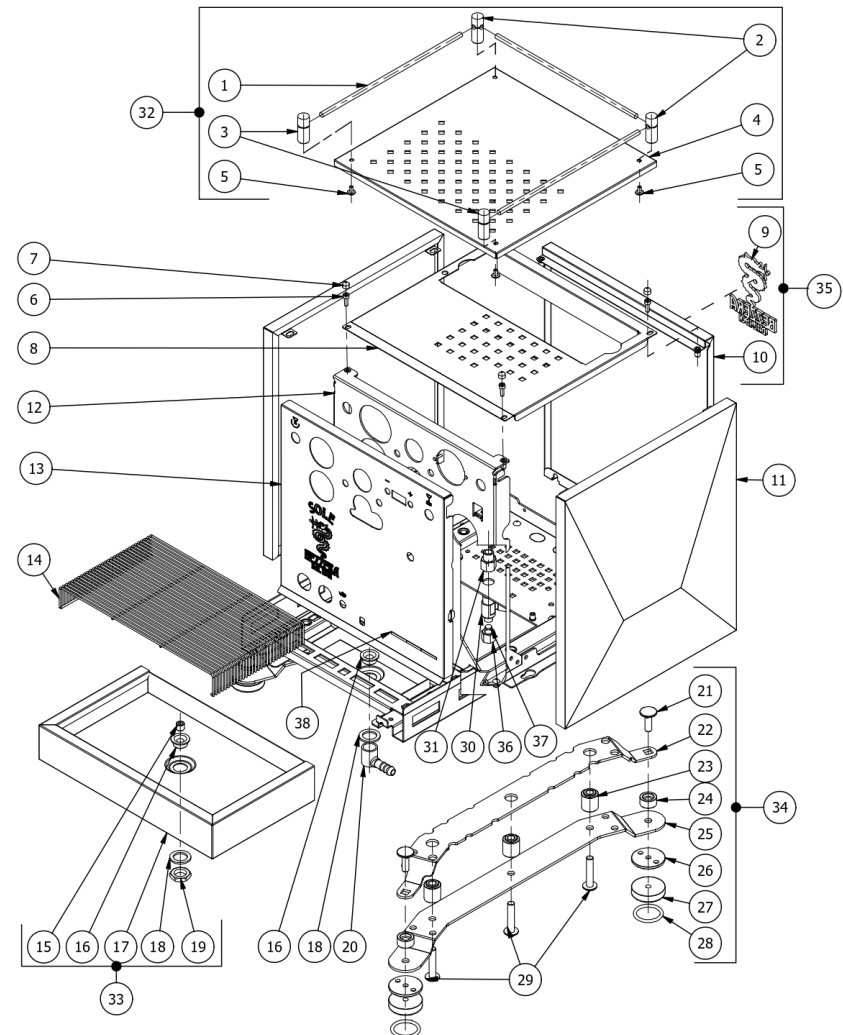
TABLE 1A  
SOLE FAST HEATING

TABLE 1A  
SOLE FAST HEATING

| POS | CODE          | DESCRIPTION                                |
|-----|---------------|--|
| 22  | 5059005VN     | SUPERIOR LEFT/RIGHT BLACK FOOT             |
| 23  | 5262209       | CENTRAL FOOT SPACER                        |
| 24  | 5262210       | FOOT SPACER                                |
| 25  | 5059004VN     | INFERIOR LEFT/RIGHT BLACK FOOT             |
| 26  | 5059007       | FOOT REGULATION WASHER                     |
| 27  | 5059006       | FOOT                                       |
| 28  | 7496105       | OR GASKET                                  |
| 29  | 7809910       | SCREW M8X40                                |
| 30  | 7451506       | MINI VALVE MINI BALL 1/4-1/8               |
| 31  | 5302029       | REDUCTION GEAR 1/4                         |
| 32  | 5961856       | ASSY CUP-HEATER                            |
| 33  | 5968124       | ASSY TRAY DUO/MATRIX W/DISCHARGE           |
| 33  | 5968146       | ASSY TRAY BLACK DUO/MATRIX                 |
| 33  | 5968157       | ASSY TRAY MATT WHITE W/DISCHARGE           |
| 33  | 5968158       | ASSY TRAY GREEN DUO/MATRIX                 |
| 34  | 5962638       | ASSY SOLE'S FOOT                           |
| 35  | 5071740LLR    | SOLE BACKSIDE PANEL STAINLESS STEEL W/LOGO |
| 35  | 5011726LL-VNR | SOLE BACKSIDE PANEL MATT BLACK W/LOGO      |
| 35  | 5011726LL-YIR | SOLE BACKSIDE PANEL MATT WHITE W/LOGO      |
| 35  | 5011726LL-YVR | SOLE BACKSIDE PANEL MATT GREEN W/LOGO      |
| 36  | 5221835       | CAP NUT 1/8                                |
| 37  | 5492019       | GASKET D8 X 2 ASBESTOS FREE                |
| 38  | 5521556       | ITALY FLAG ADHESIVE 3,5"                   |

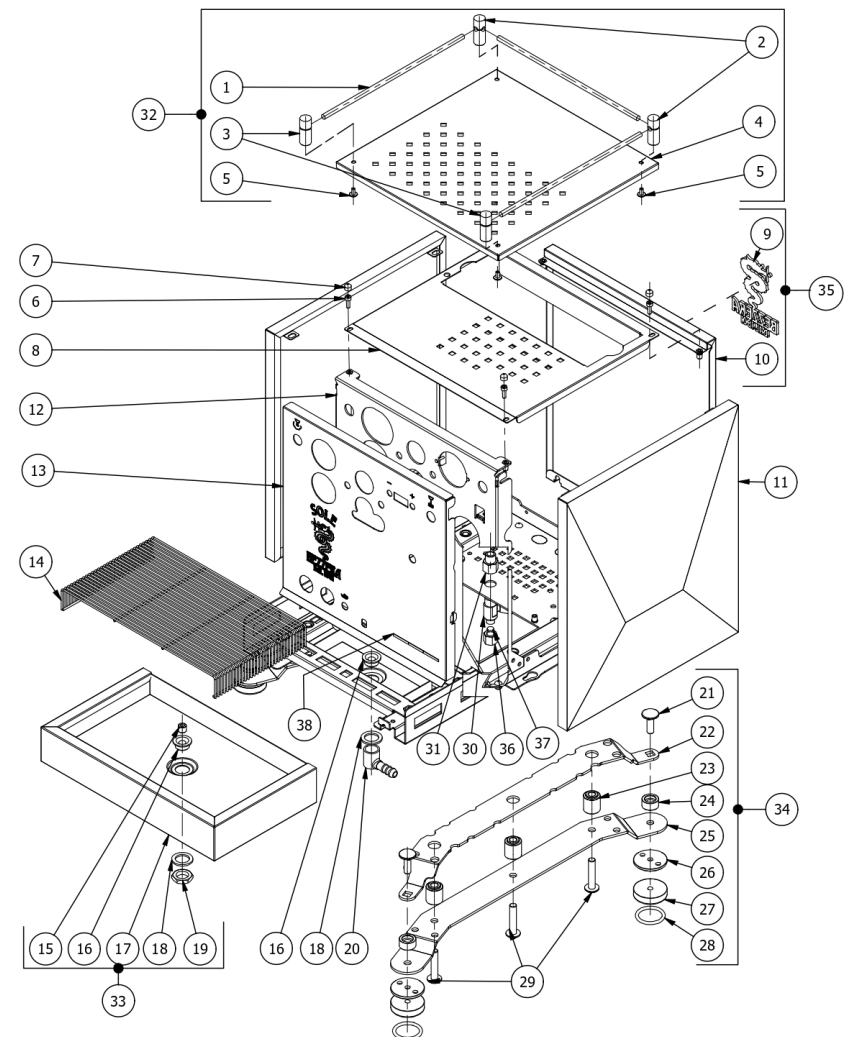
TABLE 1A  
SOLE FAST HEATING

TABLE 2  
SOLE

| POS | CODE         | DESCRIPTION                         |
|-----|--------------|-------------------------------------|
| 1   | 7374002      | FILTER 1/4                          |
| 2   | 7496076      | GASKET OR 112 EP856 80SH            |
| 3   | 5963345      | ASSY TANK W/FITTING                 |
| 4   | 5058463.03LL | TANK SUPPORT W/COMPASSES            |
| 5   | 7812402      | NUT M3 UNI7473 A2 SELF-LOCKING INOX |
| 6   | 7666011      | TANK SENSOR                         |
| 7   | 5191510      | SPACER                              |
| 8   | 7474212      | ADHESIVE FEET                       |
| 9   | 5059921LW    | TANK SENSOR COVER                   |
| 10  | 5375304      | PLASTIC NUT                         |
| 11  | 7811801      | S/S NUT M8                          |
| 12  | 7742405      | ELECTRIC MOTOR 220/240V             |
| 12  | 7741007      | ELECTRIC MOTOR 110-115V 50/60HZ     |
| 13  | 5375300      | PIPE FOR TANK W/RUBBER-HOLDER       |
| 14  | 7611512      | CLAMP                               |
| 15  | 5194541      | PIPE L=160MM                        |
| 16  | 5194547      | SILICON PIPE 8X5X150                |
| 17  | 5194540      | SILICON PIPE D8X5X1.5 L=300         |
| 18  | 7303039      | FITTING                             |
| 19  | 7400909      | PUMP CAPILLARY                      |
| 20  | 5194651      | SILICON PIPE                        |
| 21  | 5221844      | NUT 1/8                             |
| 22  | 7815001      | WASHER D10 UNI 6592 A2              |
| 23  | 7432523.02   | PRESSURE GAUGE D40 16BAR TRICOLOUR  |
| 24  | 5283062      | CONICAL DISCHARGE FITTING           |
| 25  | 7812706      | NUT M4                              |
| 26  | 7303070TT    | ELBOW FITTING                       |
| 27  | 7818009      | SCREW AUTOF.TB D2.9X6.5 INOX        |
| 28  | 5055761      | COVER FOR NET/TANK                  |
| 29  | 7303069      | RUBBER-HOLDER FITTING M 1/4         |

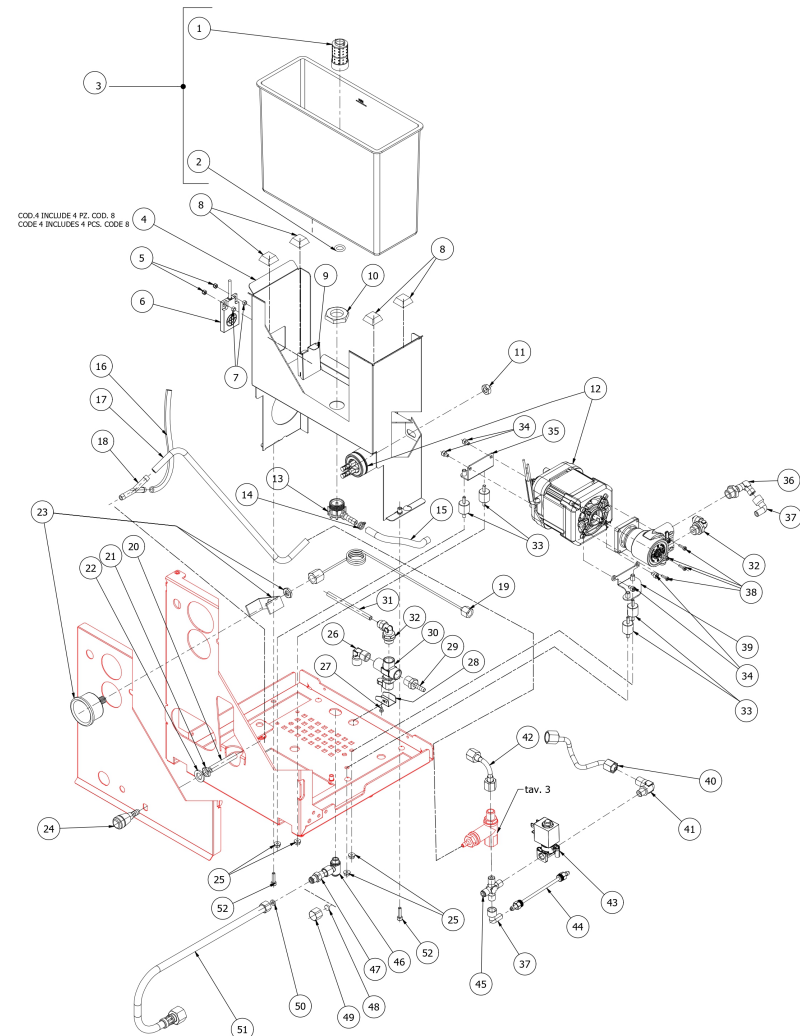
TABLE 2  
SOLE

TABLE 2  
SOLE

| POS | CODE         | DESCRIPTION                            |
|-----|--------------|--|
| 30  | 7304557TT    | 3 WAYS VALVE                           |
| 31  | 5194711      | PTFE PIPE                              |
| 32  | 7303072TT    | REVOLVING FITTING 1/4"                 |
| 33  | 7470604      | VIBRATION-DAMPING                      |
| 34  | 7816017      | SCREW TCEI M4X6                        |
| 35  | 5058514      | BACKSIDE ENGINE SUPPORT                |
| 36  | 7304546TR    | ELBOW FITTING 1/8"                     |
| 37  | 7303063TR    | ELBOW FITTING BODY 1/8"                |
| 38  | 7819921      | SCREW M3x10                            |
| 39  | 5058515      | FRONTAL ENGINE SUPPORT                 |
| 40  | 5162567LL    | LOAD PIPE                              |
| 41  | 5301504AL    | ELBOW FITTING M12X1/8                  |
| 42  | 5162236.01LL | SURPRESSION VALVE - HEAT EXCHANGERPIPE |
| 43  | 7701123.01   | EV.2 WAY 110V 25BAR SMALL COIL         |
| 43  | 7702415.01   | EV.2 WAY 240V 25BAR SMALL COIL         |
| 43  | 7702322.01   | EV.2WAY OLAB 220/230V 25BAR SMALL      |
| 44  | 5194670.01LL | ASSY PIPE PTFE                         |
| 45  | 7304545TR    | CROSS FITTING 1/8                      |
| 46  | 7304556TT    | REVOLVING FITTING                      |
| 47  | 7304502TT    | SERTO FITTING 1/8"                     |
| 48  | 5492019      | GASKET D8 X 2 ASBESTOS FREE            |
| 49  | 5221835      | CAP NUT 1/8                            |
| 50  | 7492004      | GASKET D8.5 X 4.2 X 1.5                |
| 51  | 7200514      | FLEXIBLE HOSE 3/8                      |
| 52  | 7816004      | SCREW TCEI M4X16 A2                    |

TABLE 2  
SOLE

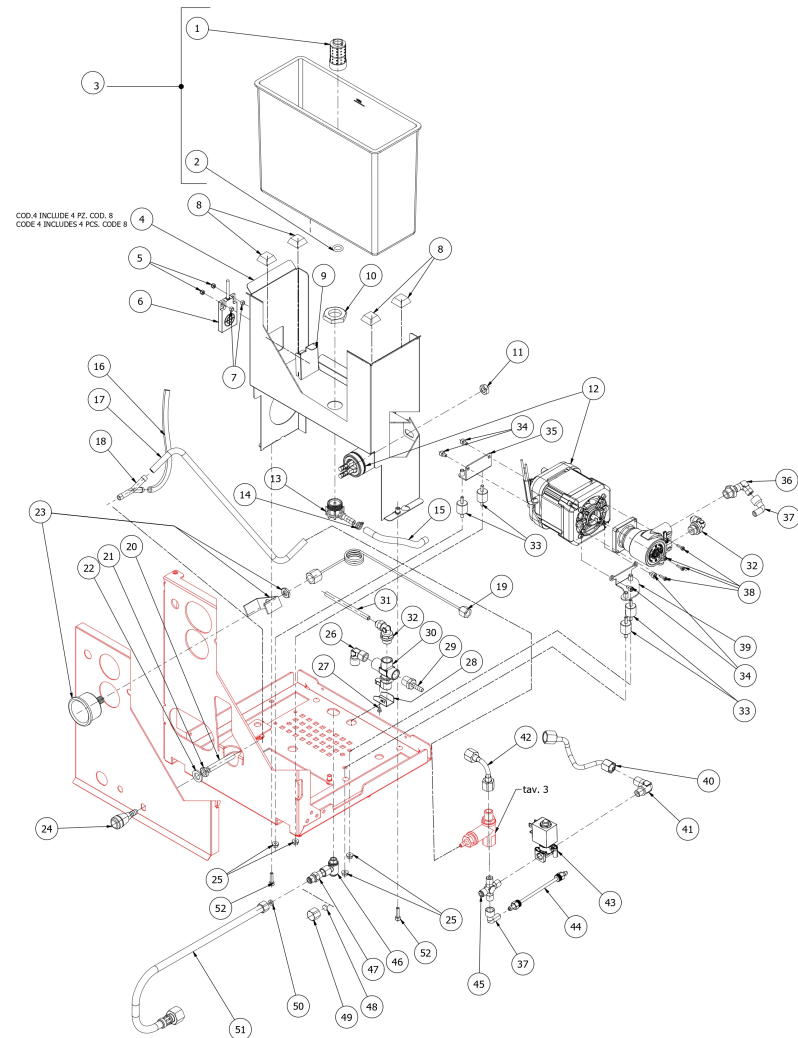


TABLE 3  
SOLE

| POS | CODE         | DESCRIPTION                         |
|-----|--------------|-------------------------------------|
| 1   | 5302017AL    | FITTING M12 ES16 H26.5 OT57USA      |
| 2   | 5471505      | CALIBRATED SPRING D0.45 H22 AISI302 |
| 3   | 5224615AL    | GASKET-HOLDER SURP.VALVE OT57USA    |
| 4   | 7496018      | OR GASKET 105                       |
| 5   | 5283053TP    | SURPRESSION VALVE BODY              |
| 6   | 5471019      | FILTER D8,5X5 AISI304               |
| 7   | 5493042      | GASKET D.11X3                       |
| 8   | 5224620AL    | GASKET-HOLDER ES.12X6.8 OT57USA     |
| 9   | 5471539      | CALIBRATED SPRING D.1,6             |
| 10  | 7496052      | OR GASKET 114 VITON                 |
| 11  | 5302077AL    | FITTING PORT.M14X1 OTXTUBO6X4 OT57U |
| 12  | 5965212.01AL | ASSY OPV ADJUST. 9/12 BAR           |

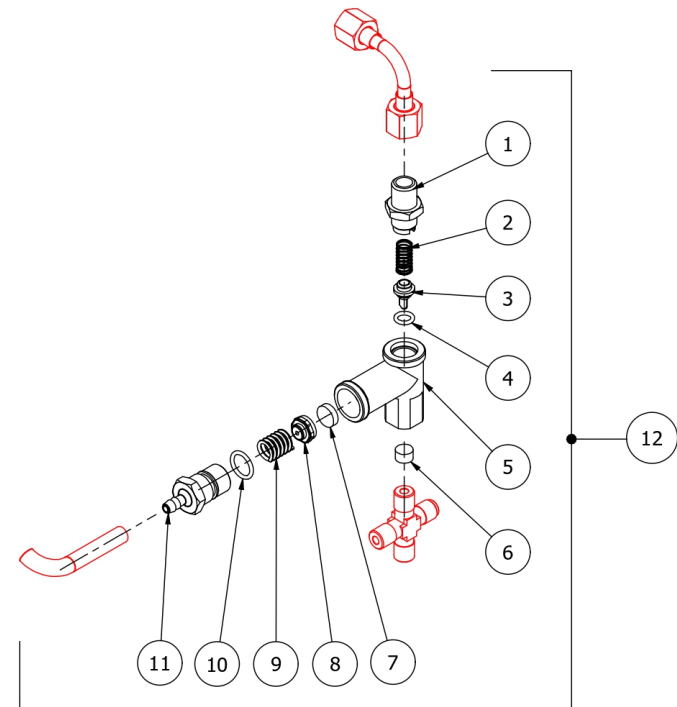
TABLE 3  
SOLE

TABLE 4 - (up to 06/10/2025)  
SOLE

| POS | CODE         | DESCRIPTION                            |
|-----|--------------|--|
| 1   | 7432522.02   | PRESSURE GAUGE D40 3BAR TRICOLOUR      |
| 2   | 7400910      | BOILER CAPILLARY PID VERSION           |
| 3   | 5225412AL    | FITTING FOR TEMPERATURE PROBE          |
| 4   | 7666008      | PROBE X THERMOPID AISI316 D3           |
| 5   | 7452511.02   | VALVE ANTIDEPRESSION W/RUBBER-         |
| 6   | 5194547      | SILICON PIPE 8X5X150                   |
| 7   | 5265826      | LEVEL PROBE                            |
| 8   | 5900033      | STEAM HOSE AND FITTING KIT - SOLE LUCE |
| 9   | 5225205      | STRAIGHT FITTING M10 OT                |
| 10  | 5192001      | PROBE SHEATH D8 X 45 HOLE D3 PTFE      |
| 11  | 7452509.02   | SAFETY VALVE 3/8                       |
| 12  | 5225413AL    | REDUCTION 1/2                          |
| 13  | 5900032      | WATER HOSE AND FITTING KIT - SOLE LUCE |
| 14  | 5164067.01LL | UPPER HEATING HOSE                     |
| 15  | 5301521TR    | UNION ELBOW 1/8                        |
| 16  | 5192301      | SUCTION D6X1 L=130MM PTFE              |
| 17  | 5302006AL    | FITTING M12X1/8                        |
| 18  | 5301520TR    | UNION ELBOW MM 1/8                     |
| 19  | 5163204LL    | BOTTOM HEATING HOSE                    |
| 20  | 5721127AL    | COPPER HEATING ELEMENT 110V 1350W      |
| 20  | 5722240.01AL | HEATING ELEMENT 220/240V-1250/1450W    |
| 21  | 5492025      | GASKET D42X32X2 PTFE                   |
| 22  | 5320509BL    | BOILER                                 |
| 23  | 9991035      | BOILER COVER                           |
| 24  | 5329020DC-AL | EXCHANGER 3 HOLES L=1440 MAG-MIT.      |
| 25  | 5495007      | COPPER GASKET D32X40                   |
| 26  | 5227012      | SCREW TE M8X7.5                        |
| 27  | 5227007      | DOWEL M8 X 6 HOLE M4 OT                |
| 28  | 7434009      | THERMOSTAT MANUAL 16A 135°C            |

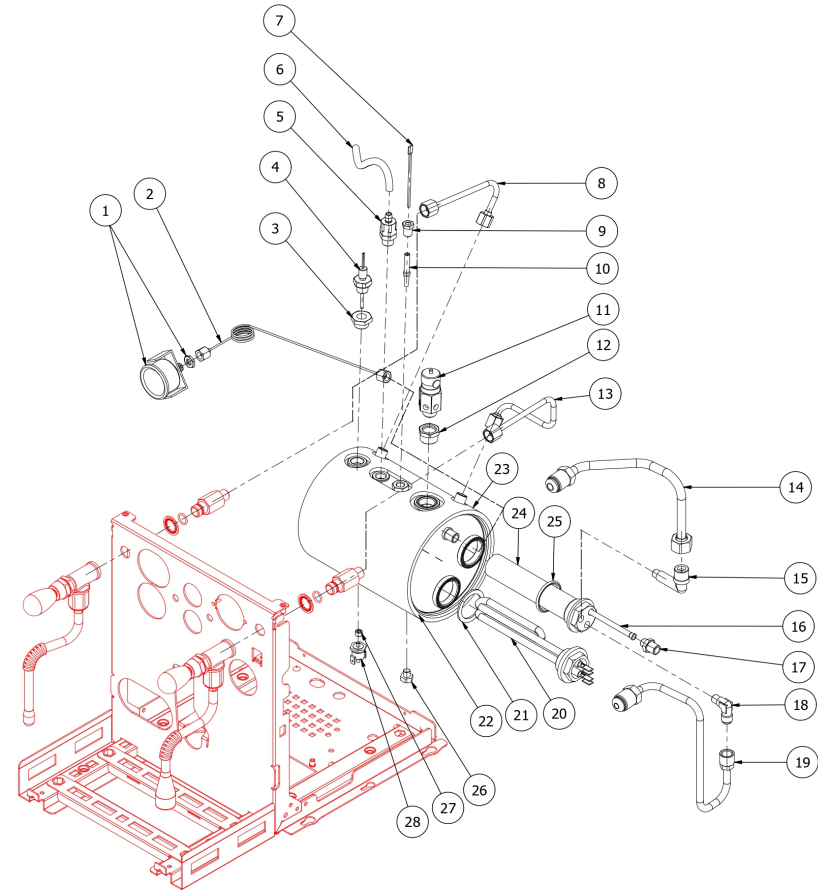
TABLE 4 - (up to 06/10/2025)  
SOLE

TABLE 4 - (from 07/10/2025 )  
SOLE

| POS | CODE         | DESCRIPTION                         |
|-----|--------------|-------------------------------------|
| 1   | 7432522.02   | PRESSURE GAUGE D40 3BAR TRICOLOUR   |
| 2   | 7400909      | PUMP CAPILLARY                      |
| 3   | 5225412AL    | FITTING FOR TEMPERATURE PROBE       |
| 4   | 7666008      | PROBE X THERMOPID AISI316 D3        |
| 5   | 7452511.02   | VALVE ANTIDEPRESSION W/RUBBER-      |
| 6   | 5194547      | SILICON PIPE 8X5X150                |
| 7   | 5265826      | LEVEL PROBE                         |
| 8   | 5162395.01LL | STEAM TAP TUBE MITICA PID           |
| 9   | 5225205      | STRAIGHT FITTING M10 OT             |
| 10  | 5192001      | PROBE SHEATH D8 X 45 HOLE D3 PTFE   |
| 11  | 7452509.02   | SAFETY VALVE 3/8                    |
| 12  | 5225413AL    | REDUCTION 1/2                       |
| 13  | 5162496.01LL | WATER PIPE                          |
| 14  | 5164067.01LL | UPPER HEATING HOSE                  |
| 15  | 5301521TR    | UNION ELBOW 1/8                     |
| 16  | 5192301      | SUCTION D6X1 L=130MM PTFE           |
| 17  | 5302006AL    | FITTING M12X1/8                     |
| 18  | 5301520TR    | UNION ELBOW MM 1/8                  |
| 19  | 5163204LL    | BOTTOM HEATING HOSE                 |
| 20  | 5721127AL    | COPPER HEATING ELEMENT 110V 1350W   |
| 20  | 5722240AL    | HEATING ELEMENT 220/240V-1250/1450W |
| 21  | 5492025      | GASKET D42X32X2 PTFE                |
| 22  | 5320509BL    | BOILER                              |
| 23  | 9991035      | BOILER COVER                        |
| 24  | 5329020DC-AL | EXCHANGER 3 HOLES L=1440 MAG-MIT.   |
| 25  | 5495007      | COPPER GASKET D32X40                |
| 26  | 5227012      | SCREW TE M8X7.5                     |
| 27  | 5227007      | DOWEL M8 X 6 HOLE M4 OT             |
| 28  | 7434009      | THERMOSTAT MANUAL 16A 135°C         |

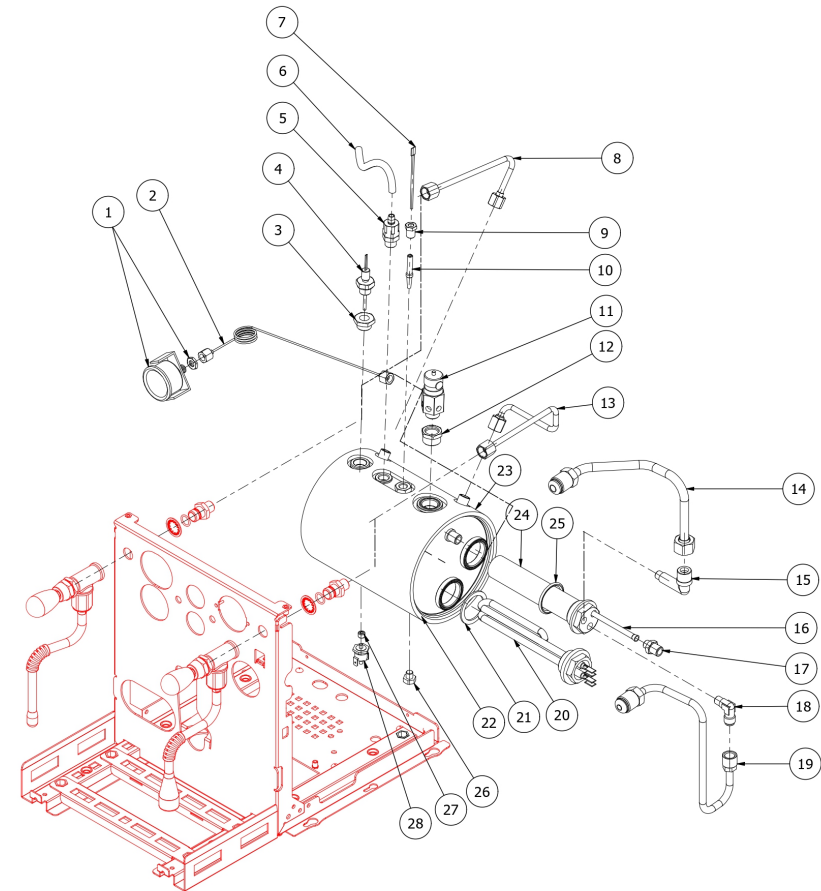
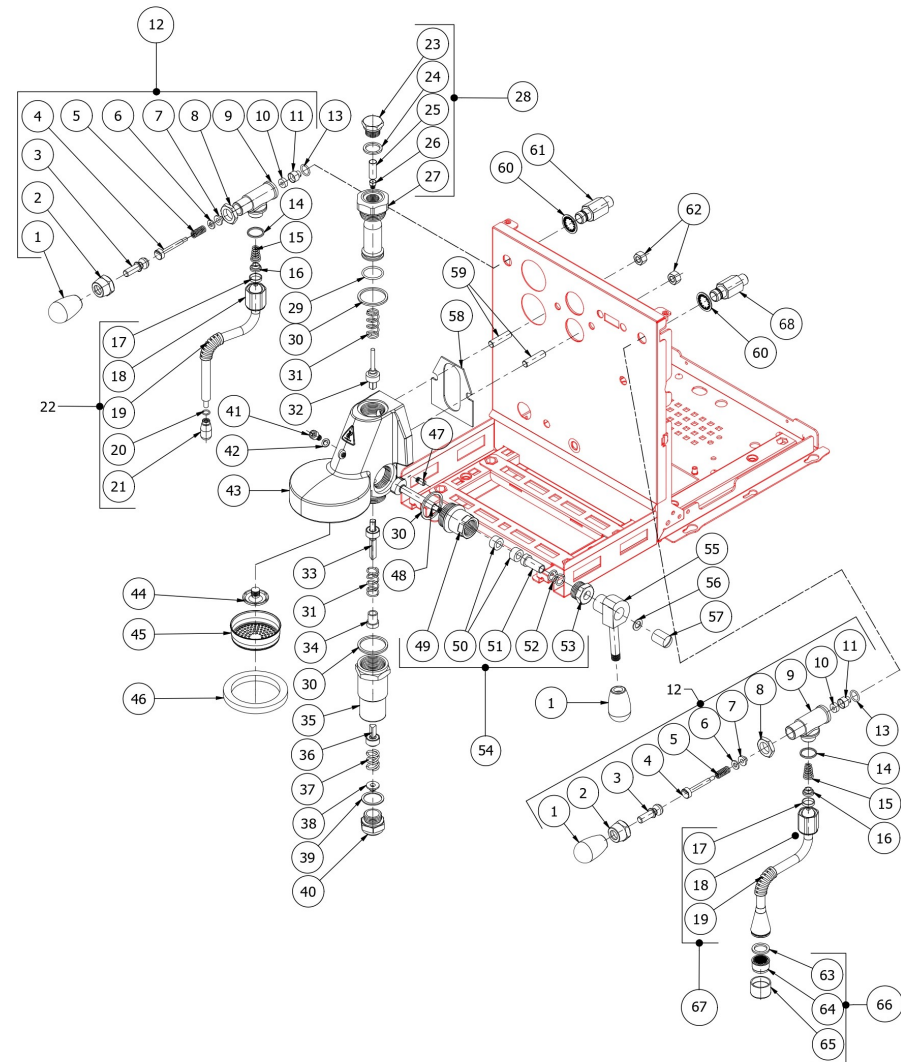
TABLE 4 - (from 07/10/2025 )  
SOLE

TABLE 5 - (up to 06/10/2025)  
SOLE

| POS | CODE         | DESCRIPTION                        |
|-----|--------------|------------------------------------|
| 1   | 7371511.01   | BLACK LEVER KNOB I.622/40-M8       |
| 2   | 5262801.01   | FERRULE 3/8" G H17 STAINLESS STEEL |
| 3   | 5225610      | ARTICULATED JOINT M8               |
| 4   | 5260204DL    | SHAFT D12X47 AISI303 POLISH        |
| 5   | 5471513      | SPRING D8 H17 AISI302              |
| 6   | 5261801      | WASHER D11                         |
| 7   | 5494004      | GASKET D12 X 6 PTFE GRAPHITIZED    |
| 8   | 5221826CM    | NUT 3/8                            |
| 9   | 5283055TW    | TAP BODY OT FOR OR                 |
| 10  | 5496042      | GASKET D11X4X4 EPT 70              |
| 11  | 5224603AL    | GASKET HOLDER D12X12 OT57USA       |
| 12  | 5964085.02AL | BZ07 TAP COMPLETE WITHOUT HOOKING  |
| 13  | 7496052      | OR GASKET 114 VITON                |
| 14  | 5494021      | NUT GASKET PTFE H=1,5              |
| 15  | 5471532.01   | SPRING FOR ARTICULATION            |
| 16  | 5190501      | CUP FOR FITTING PTFE/GLASS         |
| 17  | 5494020      | GLOBE GASKET 14.3 PTFE             |
| 18  | 5221872.01   | LOOSEN NUT 3/8                     |
| 19  | 7371004      | STEAM PIPE PROTECTION              |
| 20  | 7496095      | OR GASKET 6X1.2 EPDM70             |
| 21  | 5266609      | STEAM TERMINAL 2 WAYS AISI303      |
| 22  | 7479990.03   | STEAM TUBE TERMINAL 2 HOLES SPHERE |
| 23  | 7479952DL    | UPPER ASSY PLUG                    |
| 24  | 7479953      | GASKET TF 22X17X2                  |
| 25  | 7479954      | INOX FILTER D.8,5X22               |
| 26  | 7479955.01   | INJECTOR CH7X9 M6X0.75 HOLE 0.7    |
| 27  | 7479956.01   | UPPER SLEEVE ASSY                  |
| 28  | 7479933.01   | INJECTOR 0,7 UPPER SLEEVE ASSY     |
| 29  | 7479934      | GASKET OR 128 VITON                |
| 30  | 7479935      | GASKET TF Ø35X30X2                 |

TABLE 5 - (up to 06/10/2025)  
SOLE



**BEZZERA**

**SOLE**

TABLE 5 - (up to 06/10/2025)  
SOLE

| POS | CODE      | DESCRIPTION                     |
|-----|-----------|---------------------------------|
| 31  | 7479936   | DELIVERY VALVE SPRING           |
| 32  | 7479937   | DELIVERY VALVE ASSY             |
| 33  | 7479946   | ASSEMBLY VALVE                  |
| 34  | 7479942   | SPRING GUIDE BUSHING            |
| 35  | 7479957   | LOWER SLEEVE ASSY               |
| 36  | 7479943   | ASSEMBLY RELIEF VALVE           |
| 37  | 7479944   | DRAIN SPRING                    |
| 38  | 7479945   | JET-BREAKER BUSHING Ø15X6       |
| 39  | 7479960   | GASKET TF D26x21x2              |
| 40  | 7479961   | GROUP BOTTOM FITTING            |
| 41  | 7479939   | SCREW TCE M6X8                  |
| 42  | 7479938   | GASKET TF 10X6X1                |
| 43  | 7479940AL | LEVER BODY GROUP CHROMED OT57   |
| 44  | 7479941   | SPRAYER D.30                    |
| 45  | 5471022   | INOX SHOWER FILTER              |
| 46  | 5493039   | GASKET H8 E61 GROUP             |
| 47  | 7479951   | CAMS LOCK STUD                  |
| 48  | 7479950   | GROUND CAMS TREE                |
| 49  | 7479967   | CAM FLANGE                      |
| 50  | 7479968   | WASHER EP079 15.5X7.5X4         |
| 51  | 7479969   | BUSHING                         |
| 52  | 7479970   | SPRING                          |
| 53  | 7479971   | PLUG CHROMED                    |
| 54  | 7479949   | CAM FLANGE ASSY                 |
| 55  | 7479931   | DELIVERY LEVER                  |
| 56  | 7479947   | WASHER D8                       |
| 57  | 7479948   | CAP D15XM6                      |
| 58  | 7493011   | INSULATING                      |
| 59  | 5267013   | TIE ROD M8X31 ASTM A 193 B8 C/1 |
| 60  | 7814201   | WASHER 14 DIN6798J A2           |

**BEZZERA**

**SOLE**

TABLE 5 - (up to 06/10/2025)  
SOLE

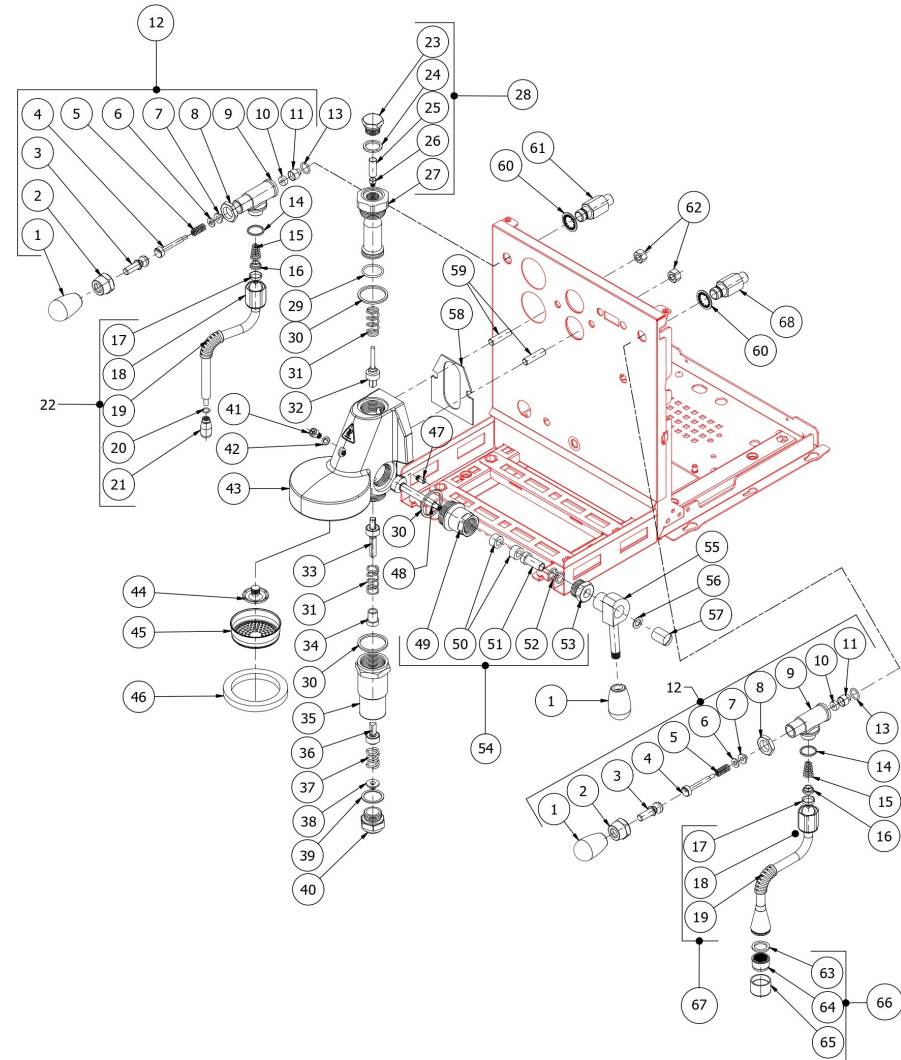


TABLE 5 - (up to 06/10/2025)  
SOLE

| POS | CODE      | DESCRIPTION                               |
|-----|-----------|---|
| 61  | 5900033   | STEAM HOSE AND FITTING KIT<br>- SOLE LUCE |
| 62  | 7811402   | NUT M8 UNI5587 A2                         |
| 63  | 5493003   | GASKET D20.5X15 H1.5 NBR<br>70SH          |
| 64  | 5471037   | ACETALIC AIR FILTER                       |
| 65  | 7305020TW | WATER TERMINAL                            |
| 66  | 5226601TW | WATER HOSE TERMINAL                       |
| 67  | 5966566   | WATER TUBE SEMISPHERE 14.3                |
| 68  | 5900032   | WATER HOSE AND FITTING KIT<br>- SOLE LUCE |

TABLE 5 - (up to 06/10/2025)  
SOLE

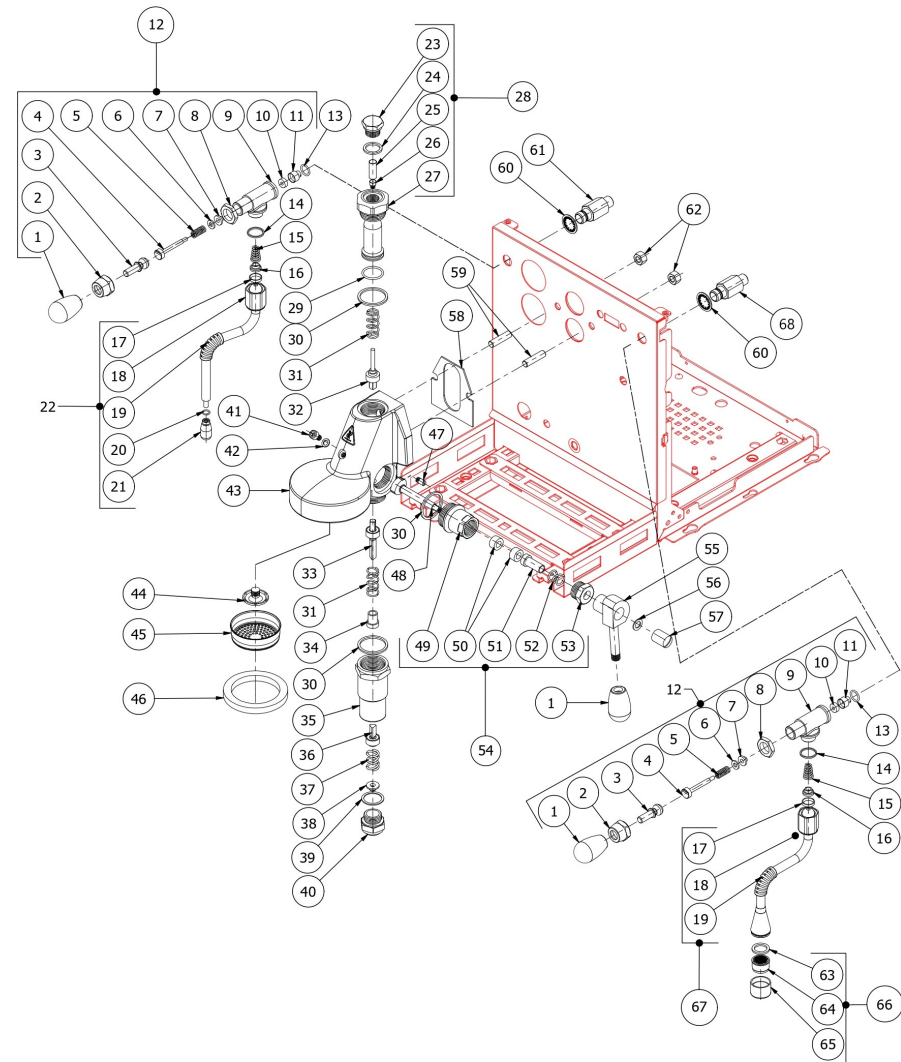
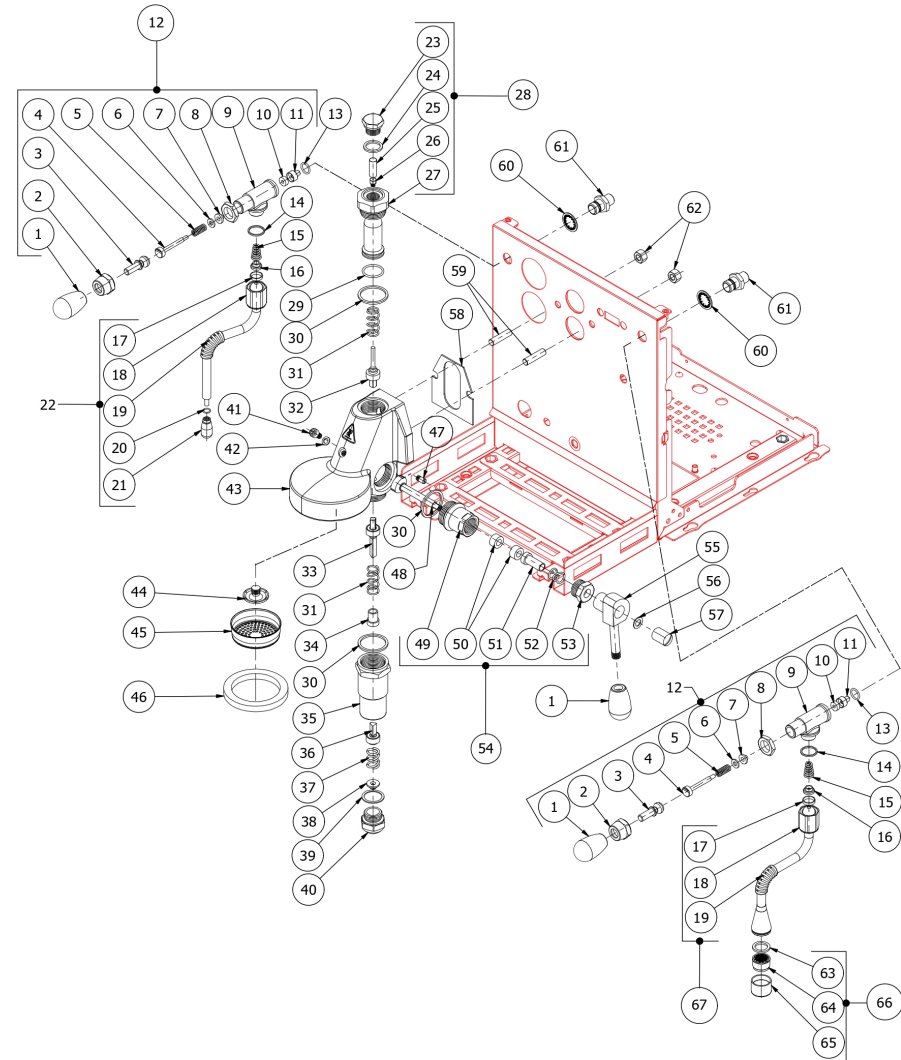


TABLE 5 - (from 07/10/2025 )  
SOLE

| POS | CODE         | DESCRIPTION                        |
|-----|--------------|------------------------------------|
| 1   | 7371511.01   | BLACK LEVER KNOB I.622/40-M8       |
| 2   | 5262801.01   | FERRULE 3/8" G H17 STAINLESS STEEL |
| 3   | 5225610      | ARTICULATED JOINT M8               |
| 4   | 5260204DL    | SHAFT D12X47 AISI303 POLISH        |
| 5   | 5471513      | SPRING D8 H17 AISI302              |
| 6   | 5261801      | WASHER D11                         |
| 7   | 5494004      | GASKET D12 X 6 PTFE GRAPHITIZED    |
| 8   | 5221826CM    | NUT 3/8                            |
| 9   | 5283055TW    | TAP BODY OT FOR OR                 |
| 10  | 5496042      | GASKET D11X4X4 EPT 70              |
| 11  | 5224603AL    | GASKET HOLDER D12X12 OT57USA       |
| 12  | 5964085.02AL | BZ07 TAP COMPLETE WITHOUT HOOKING  |
| 13  | 7496052      | OR GASKET 114 VITON                |
| 14  | 5494021      | NUT GASKET PTFE H=1,5              |
| 15  | 5471532.01   | SPRING FOR ARTICULATION            |
| 16  | 5190501      | CUP FOR FITTING PTFE/GLASS         |
| 17  | 5494020      | GLOBE GASKET 14.3 PTFE             |
| 18  | 5221872.01   | LOOSEN NUT 3/8                     |
| 19  | 7371004      | STEAM PIPE PROTECTION              |
| 20  | 7496095      | OR GASKET 6X1.2 EPDM70             |
| 21  | 5266609      | STEAM TERMINAL 2 WAYS AISI303      |
| 22  | 7479990.03   | STEAM TUBE TERMINAL 2 HOLES SPHERE |
| 23  | 7479952      | UPPER ASSY PLUG                    |
| 24  | 7479953      | GASKET TF 22X17X2                  |
| 25  | 7479954      | INOX FILTER D.8,5X22               |
| 26  | 7479955.01   | INJECTOR CH7X9 M6X0.75 HOLE 0.7    |
| 27  | 7479956.01   | UPPER SLEEVE ASSY                  |
| 28  | 7479933.01   | INJECTOR 0,7 UPPER SLEEVE ASSY     |
| 29  | 7479934      | GASKET OR 128 VITON                |
| 30  | 7479935      | GASKET TF Ø35X30X2                 |

TABLE 5 - (from 07/10/2025 )  
SOLE



**BEZZERA**

**SOLE**

TABLE 5 - (from 07/10/2025 )  
SOLE

| POS | CODE      | DESCRIPTION                     |
|-----|-----------|---------------------------------|
| 31  | 7479936   | DELIVERY VALVE SPRING           |
| 32  | 7479937   | DELIVERY VALVE ASSY             |
| 33  | 7479946   | ASSEMBLY VALVE                  |
| 34  | 7479942   | SPRING GUIDE BUSHING            |
| 35  | 7479957   | LOWER SLEEVE ASSY               |
| 36  | 7479943   | ASSEMBLY RELIEF VALVE           |
| 37  | 7479944   | DRAIN SPRING                    |
| 38  | 7479945   | JET-BREAKER BUSHING Ø15X6       |
| 39  | 7479960   | GASKET TF D26x21x2              |
| 40  | 7479961   | GROUP BOTTOM FITTING            |
| 41  | 7479939   | SCREW TCE M6X8                  |
| 42  | 7479938   | GASKET TF 10X6X1                |
| 43  | 7479940AL | LEVER BODY GROUP CHROMED OT57   |
| 44  | 7479941   | SPRAYER D.30                    |
| 45  | 5471022   | INOX SHOWER FILTER              |
| 46  | 5493039   | GASKET H8 E61 GROUP             |
| 47  | 7479951   | CAMS LOCK STUD                  |
| 48  | 7479950   | GROUND CAMS TREE                |
| 49  | 7479967   | CAM FLANGE                      |
| 50  | 7479968   | WASHER EP079 15.5X7.5X4         |
| 51  | 7479969   | BUSHING                         |
| 52  | 7479970   | SPRING                          |
| 53  | 7479971   | PLUG CHROMED                    |
| 54  | 7479949   | CAM FLANGE ASSY                 |
| 55  | 7479931   | DELIVERY LEVER                  |
| 56  | 7479947   | WASHER D8                       |
| 57  | 7479948   | CAP D15XM6                      |
| 58  | 7493011   | INSULATING                      |
| 59  | 5267013   | TIE ROD M8X31 ASTM A 193 B8 C/1 |
| 60  | 7814201   | WASHER 14 DIN6798J A2           |

**BEZZERA**

**SOLE**

TABLE 5 - (from 07/10/2025 )  
SOLE

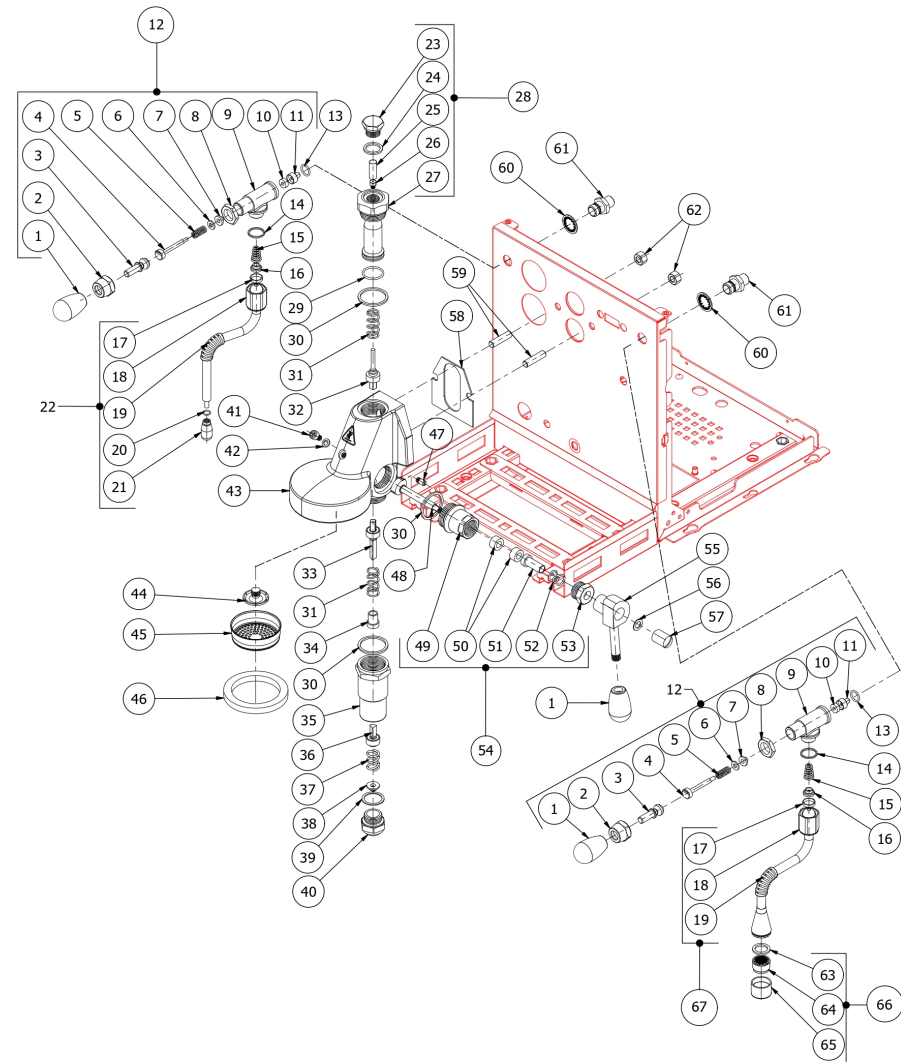


TABLE 5 - (from 07/10/2025 )  
SOLE

| POS | CODE         | DESCRIPTION                         |
|-----|--------------|-------------------------------------|
| 61  | 5225416.01AL | FITTING M14XM13 ES19 H31 WITHOUT OR |
| 62  | 7811402      | NUT M8 UNI5587 A2                   |
| 63  | 5493003      | GASKET D20.5X15 H1.5 NBR 70SH       |
| 64  | 5471037      | ACETALIC AIR FILTER                 |
| 65  | 7305020TW    | WATER TERMINAL                      |
| 66  | 5226601TW    | WATER HOSE TERMINAL                 |
| 67  | 5966566      | WATER TUBE SEMISPHERE 14.3          |

TABLE 5 - (from 07/10/2025 )  
SOLE

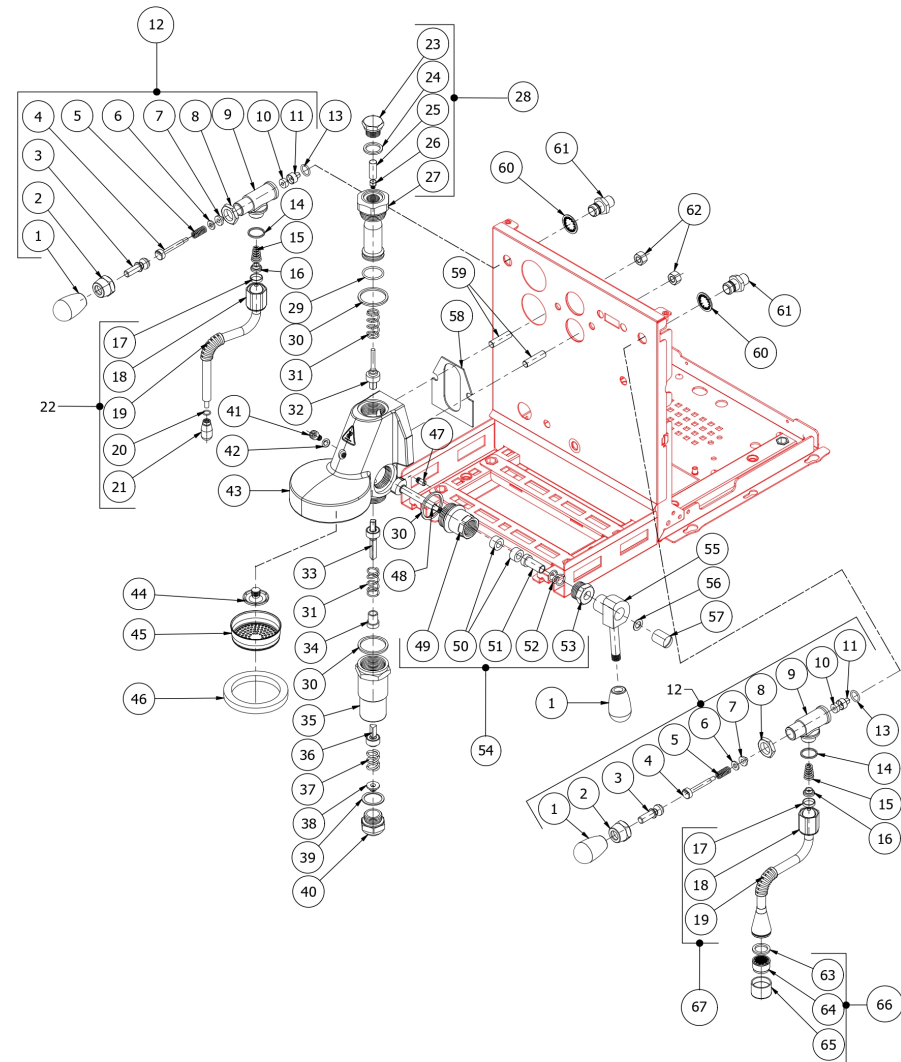


TABLE 5A  
SOLE FAST HEATING

| POS | CODE         | DESCRIPTION                        |
|-----|--------------|------------------------------------|
| 1   | 7371511.01   | BLACK LEVER KNOB I.622/40-M8       |
| 2   | 5262801.01   | FERRULE 3/8"G H17 STAINLESS STEEL  |
| 3   | 5225610      | ARTICULATED JOINT M8               |
| 4   | 5260204DL    | SHAFT D12X47 AISI303 POLISH        |
| 5   | 5471513      | SPRING D8 H17 AISI302              |
| 6   | 5261801      | WASHER D11                         |
| 7   | 5494004      | GASKET D12 X 6 PTFE GRAPHITIZED    |
| 8   | 5221826CM    | NUT 3/8                            |
| 9   | 5283055TW    | TAP BODY OT FOR OR                 |
| 10  | 5496042      | GASKET D11X4X4 EPT 70              |
| 11  | 5224603AL    | GASKET HOLDER D12X12 OT57USA       |
| 12  | 5964085.02AL | BZ07 TAP COMPLETE WITHOUT HOOKING  |
| 13  | 7496052      | OR GASKET 114 VITON                |
| 14  | 5494021      | NUT GASKET PTFE H=1,5              |
| 15  | 5471532.01   | SPRING FOR ARTICULATION            |
| 16  | 5190501      | CUP FOR FITTING PTFE/GLASS         |
| 17  | 5494020      | GLOBE GASKET 14.3 PTFE             |
| 18  | 5221872.01   | LOOSEN NUT 3/8                     |
| 19  | 7371004      | STEAM PIPE PROTECTION              |
| 20  | 7496095      | OR GASKET 6X1.2 EPDM70             |
| 21  | 5266609      | STEAM TERMINAL 2 WAYS AISI303      |
| 22  | 7479990.03   | STEAM TUBE TERMINAL 2 HOLES SPHERE |
| 23  | 7479952      | UPPER ASSY PLUG                    |
| 24  | 7479953      | GASKET TF 22X17X2                  |
| 25  | 7479954      | INOX FILTER D.8,5X22               |
| 26  | 7479955.01   | INJECTOR CH7X9 M6X0.75 HOLE 0.7    |
| 27  | 7479956.01   | UPPER SLEEVE ASSY                  |
| 28  | 7479933.01   | INJECTOR 0,7 UPPER SLEEVE ASSY     |
| 29  | 7479934      | GASKET OR 128 VITON                |
| 30  | 7479935      | GASKET TF Ø35X30X2                 |

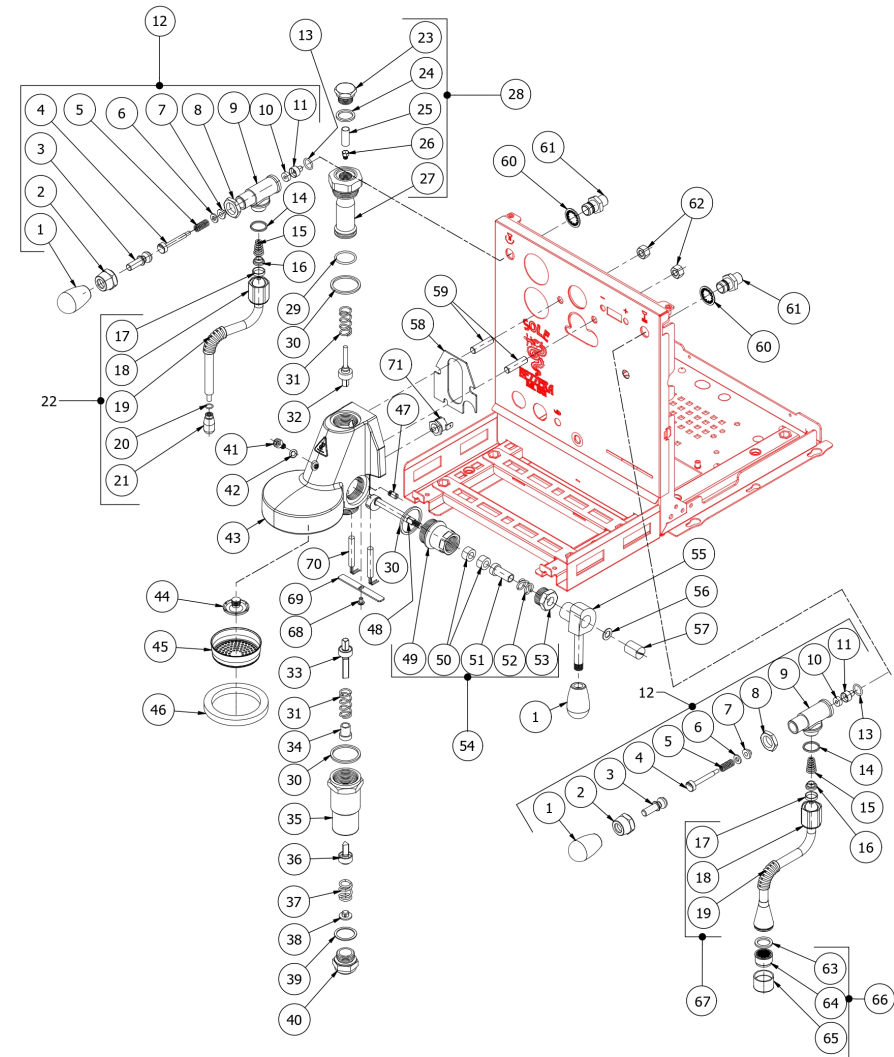
TABLE 5A  
SOLE FAST HEATING

TABLE 5A  
SOLE FAST HEATING

| POS | CODE      | DESCRIPTION                                   |
|-----|-----------|---|
| 31  | 7479936   | DELIVERY VALVE SPRING                         |
| 32  | 7479937   | DELIVERY VALVE ASSY                           |
| 33  | 7479946   | ASSEMBLY VALVE                                |
| 34  | 7479942   | SPRING GUIDE BUSHING                          |
| 35  | 7479957   | LOWER SLEEVE ASSY                             |
| 36  | 7479943   | ASSEMBLY RELIEF VALVE                         |
| 37  | 7479944   | DRAIN SPRING                                  |
| 38  | 7479945   | JET-BREAKER BUSHING Ø15X6                     |
| 39  | 7479960   | GASKET TF D26x21x2                            |
| 40  | 7479961   | GROUP BOTTOM FITTING                          |
| 41  | 7479939   | SCREW TCE M6X8                                |
| 42  | 7479938   | GASKET TF 10X6X1                              |
| 43  | 7479962AL | LEVER BODY GROUP E61 CR.OT57 FOR FAST HEATING |
| 44  | 7479941   | SPRAYER D.30                                  |
| 45  | 5471022   | INOX SHOWER FILTER                            |
| 46  | 5493039   | GASKET H8 E61 GROUP                           |
| 47  | 7479951   | CAMS LOCK STUD                                |
| 48  | 7479950   | GROUND CAMS TREE                              |
| 49  | 7479967   | CAM FLANGE                                    |
| 50  | 7479968   | WASHER EP079 15.5X7.5X4                       |
| 51  | 7479969   | BUSHING                                       |
| 52  | 7479970   | SPRING  |
| 53  | 7479971   | PLUG CHROMED                                  |
| 54  | 7479949   | CAM FLANGE ASSY                               |
| 55  | 7479931   | DELIVERY LEVER                                |
| 56  | 7479947   | WASHER D8                                     |
| 57  | 7479948   | CAP D15XM6                                    |
| 58  | 7493026   | INSULATING                                    |
| 59  | 5267013   | TIE ROD M8X31 ASTM A 193 B8 C/1               |
| 60  | 7814201   | WASHER 14 DIN6798J A2                         |

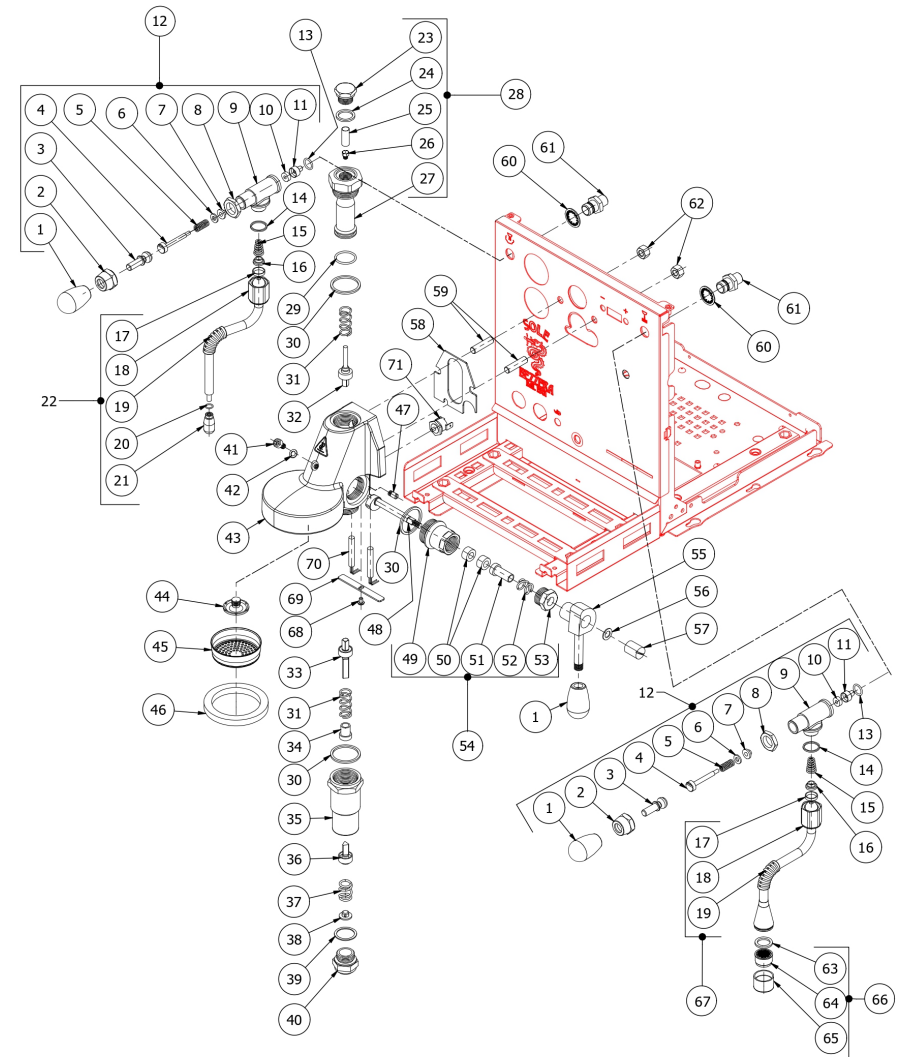
TABLE 5A  
SOLE FAST HEATING

TABLE 5A  
SOLE FAST HEATING

| POS | CODE         | DESCRIPTION                         |
|-----|--------------|-------------------------------------|
| 61  | 5225416.01AL | FITTING M14XM13 ES19 H31 WITHOUT OR |
| 62  | 7811402      | NUT M8 UNI5587 A2                   |
| 63  | 5493003      | GASKET D20.5X15 H1.5 NBR 70SH       |
| 64  | 5471037      | ACETALIC AIR FILTER                 |
| 65  | 7305020TW    | WATER TERMINAL                      |
| 66  | 5226601TW    | WATER HOSE TERMINAL                 |
| 67  | 5966566      | WATER TUBE SEMISPHERE 14.3          |
| 68  | 7819912      | SCREW M4X6                          |
| 69  | 5058533      | GLOW PLUG COVER GROUP E61           |
| 70  | 5963403      | GLOW PLUG ASSY DOUBLE 110/120V 150W |
| 70  | 5963401      | GLOW PLUG ASSY DOUBLE 220/240V 150W |
| 71  | 7634808      | THERMAL SAFETY DEVICE 250V 95°C     |

TABLE 5A  
SOLE FAST HEATING

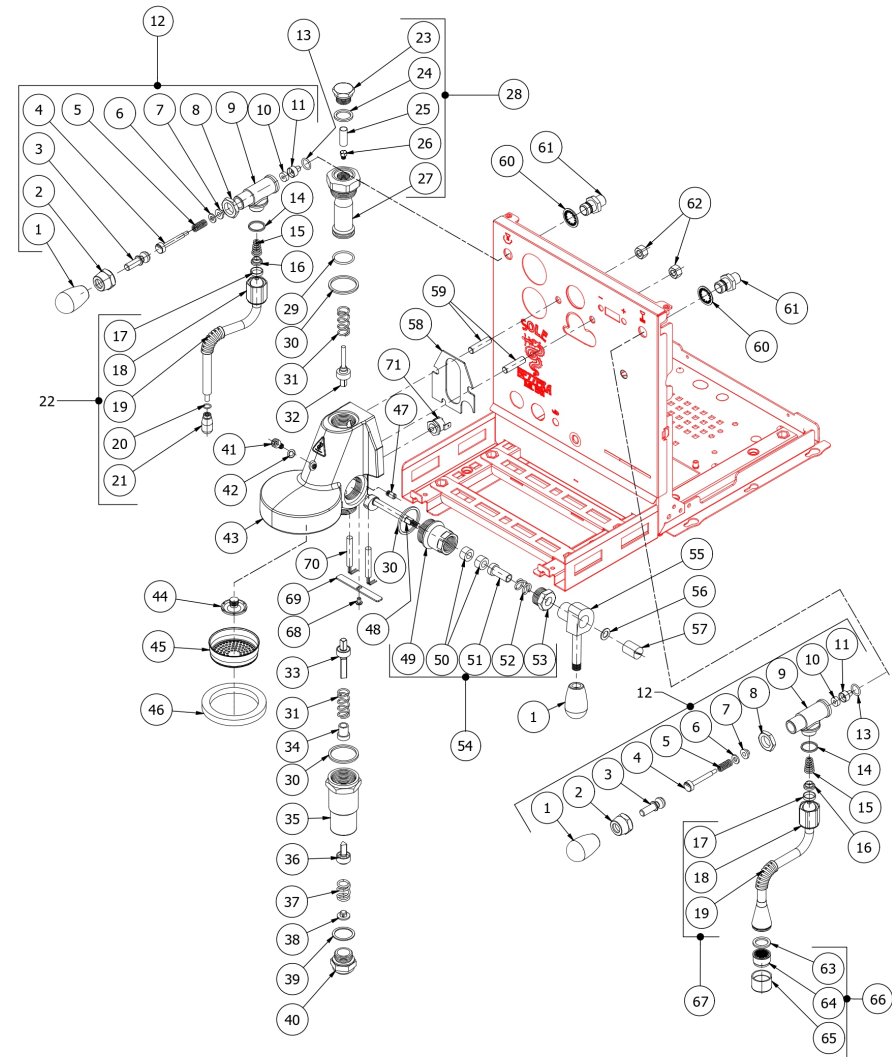


TABLE 6  
SOLE

| POS | CODE       | DESCRIPTION                         |
|-----|------------|-------------------------------------|
| 1   | 7551001    | ELECTRIC CABLE WITH USA PLUG L=1.5M |
| 1   | 7555007    | ELECTRIC CABLE WITH CHINA PLUG      |
| 1   | 7552001    | ELECTRIC CABLE WITH AUSTRALIAN PLUG |
| 1   | 7554001    | ELECTRIC CABLE WITH ENGLISH PLUG    |
| 1   | 7553001    | CABLE ISRAELE PLUG H05VV-F 3G1.5M   |
| 1   | 7555001    | ELECTRIC CABLE WITH SHUKO PLUG      |
| 2   | 7614006    | NUT PG13.5                          |
| 3   | 7819908    | SCREW TTEI M4X8                     |
| 4   | 7819404    | TAPPING SCREW TPS D2.9X9.5 UNI 6952 |
| 5   | 5035732LW  | ELECTRIC PARTS PLATE                |
| 6   | 7812601    | INOX NUT M4 UNI5588                 |
| 7   | 7614007    | FAIRLEAD WITH HOLE RUBBER           |
| 8   | 7661006R   | LEVEL REGULATOR 100/120V 50/60HZ    |
| 8   | 7661007R   | LEVEL REGULATOR 220/240V 50/60HZ    |
| 9   | 7635424.01 | RELAIS SSR FOR T.PID                |
| 10  | 7816009    | SCREW TCEI M4X10 UNI 5931A2         |
| 11  | 7633628    | WHITE LAMP                          |
| 12  | 7633910.01 | MICRO SWITCH 2 POLIES W/WEEL        |
| 13  | 5221875CM  | NUT M10X0,75                        |
| 14  | 5522077    | PID ADHESIVE LABEL                  |
| 15  | 5191522    | SPACER                              |
| 16  | 7665544    | TPID DISPLAY CARD WHITE (PR)        |
| 17  | 5191518    | PLASTIC SPACER M2.5X10              |
| 18  | 5053069LW  | PID DISPLAY COVER                   |
| 19  | 7816030    | SCREW TCEI                          |
| 20  | 7633355SG  | SWITCH 110V ON/OFF                  |
| 20  | 7633354SG  | SWITCH 230V ON/OFF                  |
| 21  | 7809817    | SCREW M4X12                         |
| 22  | 5343104    | PID COMPLETE COVER                  |
| 23  | 5191513    | SPACER NYLON 66 L=7 MM              |

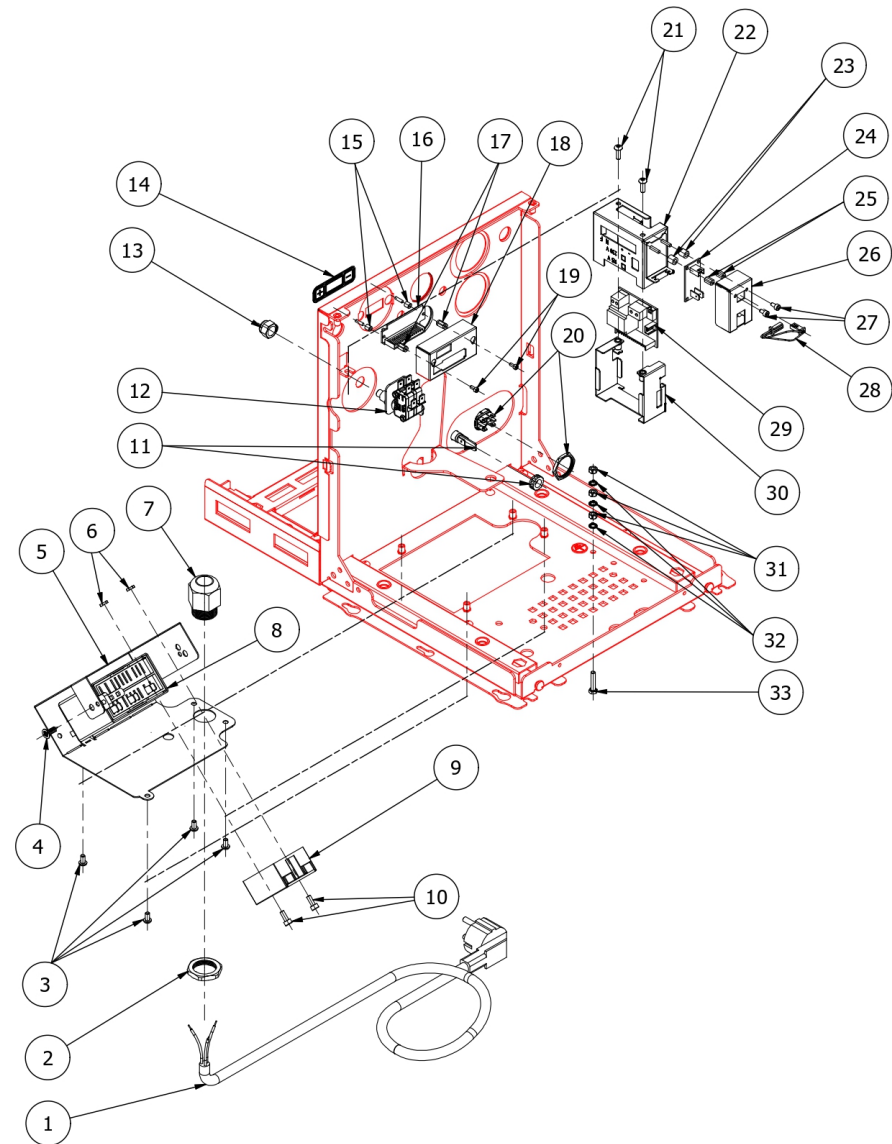
TABLE 6  
SOLE

TABLE 6  
SOLE

| POS | CODE       | DESCRIPTION                         |
|-----|------------|-------------------------------------|
| 24  | 7665545    | OPTO TIMER BOARD (PR)               |
| 25  | 7639915    | PLASTIC SPACER M3X8                 |
| 25  | 5058513LL  | SUPPORT PID CARD W/COMPASSES        |
| 26  | 5053061LW  | COVER OPTO TIMER (PR)               |
| 27  | 7816016    | SCREW TCEI M3X6                     |
| 28  | 7663641    | CONNECTION CABLE CARD               |
| 29  | 7434026.01 | TERMOSTAT TPID 110V WITHOUT DISPLAY |
| 29  | 7434027.01 | THERMOSTAT TPID 230/240V S/DISP     |
| 30  | 5058513LL  | SUPPORT PID CARD W/COMPASSES        |
| 31  | 7822603    | NUT M4 OT                           |
| 32  | 7814001    | WASHER D4 DIN 6798A A2              |
| 33  | 7826411    | SCREW TE M4X20 UNI5739 OT           |

TABLE 6  
SOLE

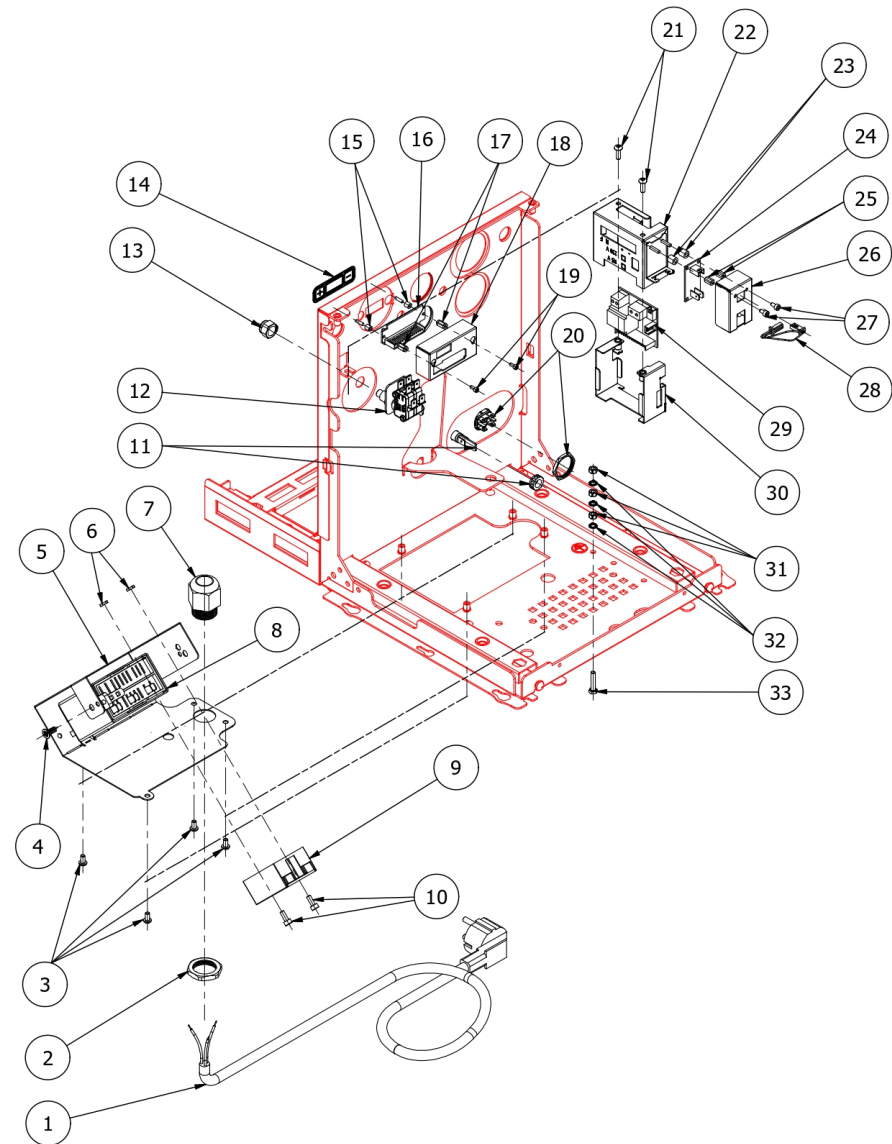


TABLE 6A  
SOLE FAST HEATING

| POS | CODE       | DESCRIPTION                              |
|-----|------------|--|
| 1   | 7551001    | ELECTRIC CABLE WITH USA PLUG L=1.5M      |
| 1   | 7555007    | ELECTRIC CABLE WITH CHINA PLUG           |
| 1   | 7552001    | ELECTRIC CABLE WITH AUSTRALIAN PLUG      |
| 1   | 7554001    | ELECTRIC CABLE WITH ENGLISH PLUG         |
| 1   | 7553001    | CABLE ISRAELE PLUG H05VV-F 3G1.5M        |
| 1   | 7555001    | ELECTRIC CABLE WITH SHUKO PLUG           |
| 2   | 7614006    | NUT PG13.5                               |
| 3   | 7819908    | SCREW TTEI M4X8                          |
| 4   | 7819404    | TAPPING SCREW TPS D2.9X9.5 UNI 6952      |
| 5   | 5035732LW  | ELECTRIC PARTS PLATE                     |
| 6   | 7812601    | INOX NUT M4 UNI5588                      |
| 7   | 7614007    | FAIRLEAD WITH HOLE RUBBER                |
| 8   | 7661006R   | LEVEL REGULATOR 100/120V 50/60HZ         |
| 8   | 7661007R   | LEVEL REGULATOR 220/240V 50/60HZ         |
| 9   | 7635424.01 | RELAIS SSR FOR T.PID                     |
| 10  | 7816009    | SCREW TCEI M4X10 UNI 5931A2              |
| 11  | 7633628    | WHITE LAMP                               |
| 12  | 7633910.01 | MICRO SWITCH 2 POLIES W/WHEEL            |
| 13  | 5221875CM  | NUT M10X0,75                             |
| 14  | 5661508    | STAINLESS STEEL THERMOPID DISPLAY BUTTON |
| 15  | 5191522    | SPACER                                   |
| 16  | 7665544    | TPID DISPLAY CARD WHITE (PR)             |
| 17  | 5191518    | PLASTIC SPACER M2.5X10                   |
| 18  | 5053069LW  | PID DISPLAY COVER                        |
| 19  | 7816030    | SCREW TCEI                               |
| 20  | 7633354SG  | SWITCH 230V ON/OFF                       |
| 20  | 7633355SG  | SWITCH 110V ON/OFF                       |
| 21  | 7809817    | SCREW M4X12                              |
| 22  | 5343104    | PID COMPLETE COVER                       |
| 23  | 5191513    | SPACER NYLON 66 L=7 MM                   |

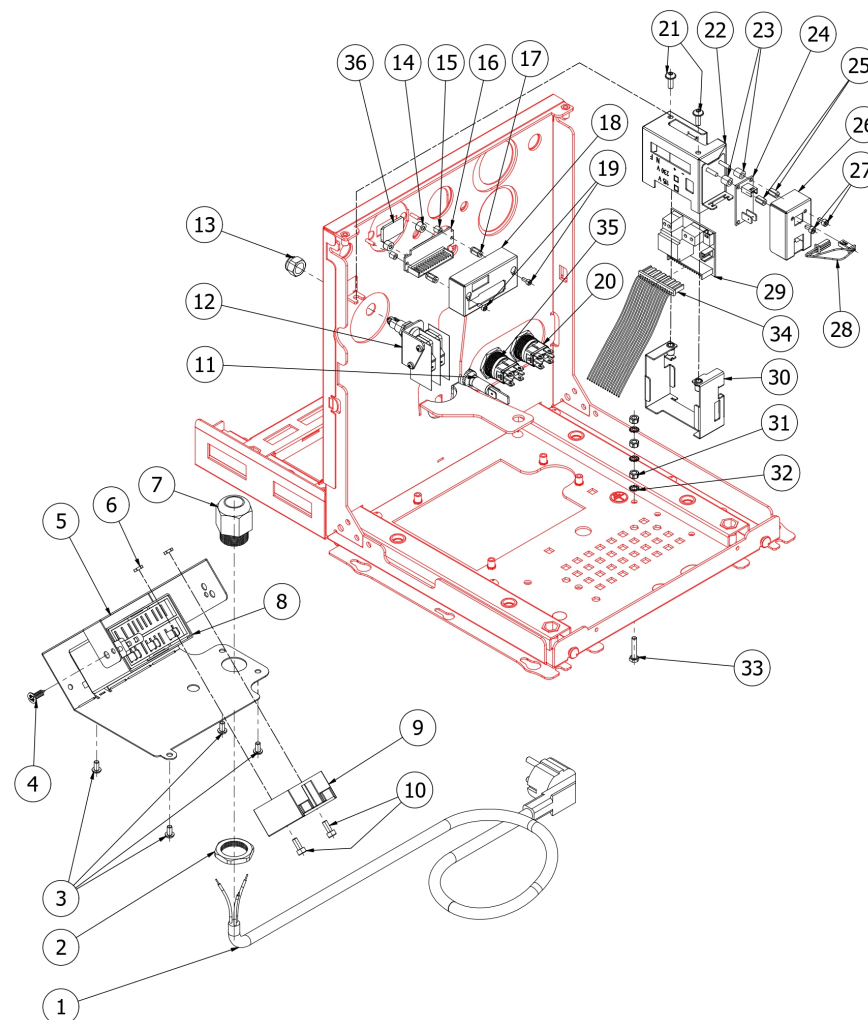
TABLE 6A  
SOLE FAST HEATING

TABLE 6A  
SOLE FAST HEATING

| POS | CODE       | DESCRIPTION                         |
|-----|------------|-------------------------------------|
| 24  | 7665545    | OPTO TIMER BOARD (PR)               |
| 25  | 7639915    | PLASTIC SPACER M3X8                 |
| 26  | 5053061LW  | COVER OPTO TIMER (PR)               |
| 27  | 7816016    | SCREW TCEI M3X6                     |
| 28  | 7663641    | CONNECTION CABLE CARD               |
| 29  | 7434026.03 | TERMOSTAT TPID 110V WITHOUT DISPLAY |
| 29  | 7434027.03 | THERMOSTAT TPID 230/240V S/DISP     |
| 30  | 5058513LL  | SUPPORT PID CARD W/COMPASSES        |
| 31  | 7822603    | NUT M4 OT                           |
| 32  | 7814001    | WASHER D4 DIN 6798A A2              |
| 33  | 7826411    | SCREW TE M4X20 UNI5739 OT           |
| 34  | 7663640    | CABLE 15 VIE FEMALE L.320MM         |
| 35  | 7633357SG  | INTERR.ANTIV.230V QN22-L FAST HEAT. |
| 35  | 7633358SG  | INTERR.ANTIV.110V QN22-L FAST HEAT. |
| 36  | 5370046    | PLEXIGLASS H3 TERMOPID FAST HEATING |

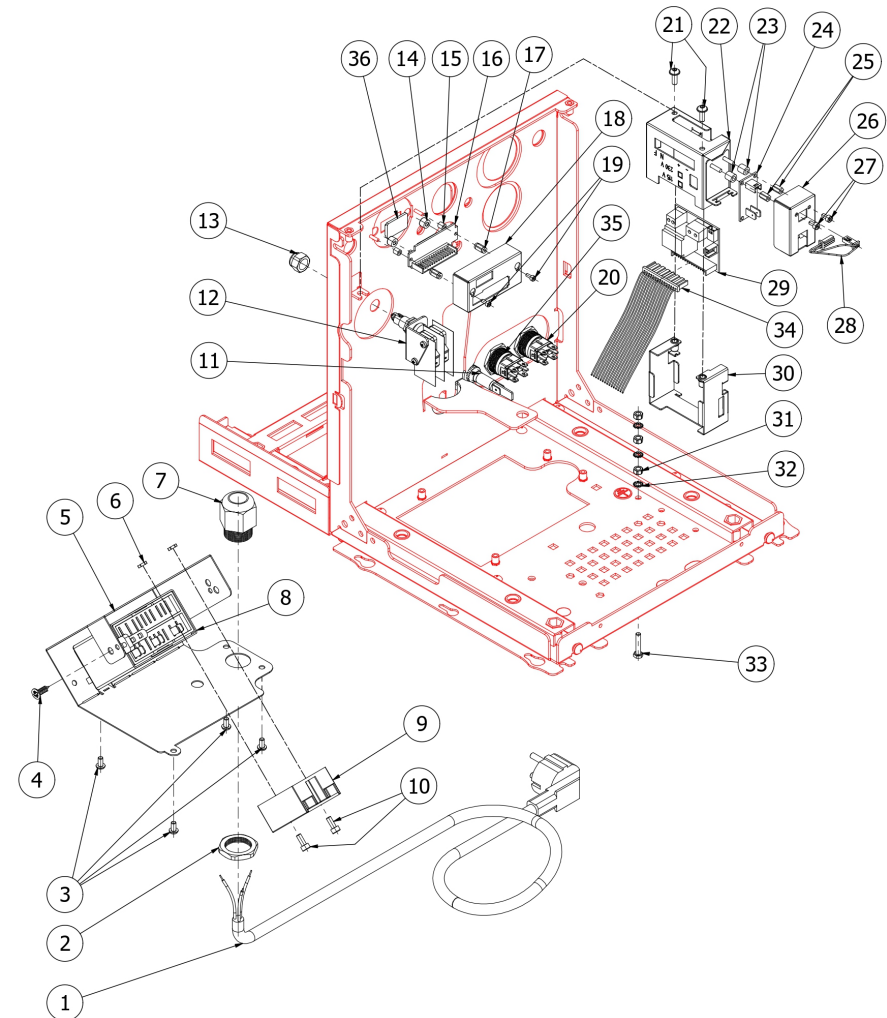
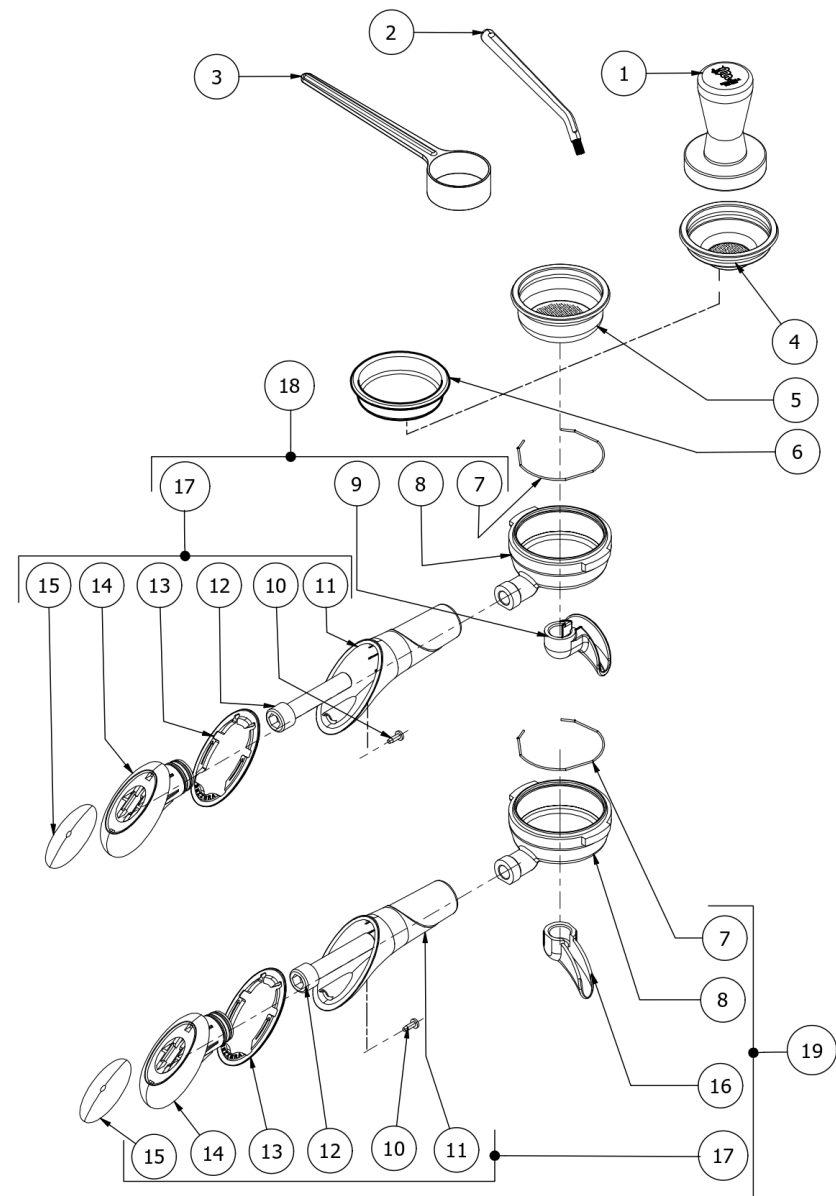
TABLE 6A  
SOLE FAST HEATING

TABLE 7  
SOLE

| POS | CODE         | DESCRIPTION                               |
|-----|--------------|---|
| 1   | 5963289AN    | COFFEE TAMPER WITH BLACK KNOB             |
| 2   | 7990603      | CLEANING BRUSH FOR COFFEE MACHINE         |
| 3   | 5372101      | BLACK MEASURE                             |
| 4   | 5471031.01   | FILTER 1 CUP 10 GRAMS                     |
| 5   | 5471035      | FILTER 2 CUPS 20 GRAMS                    |
| 6   | 5471038      | BLIND FILTER AISI304                      |
| 7   | 5471527      | FILTER-HOLDER SPRING D1.2 AISI 302        |
| 8   | 7479972.01TW | RETRO FILTER-HOLDER ONLY HANDLE           |
| 9   | 7305007TW    | SPOUT 2 WAYS WITHOUT PB+PWP               |
| 10  | 7809810      | SCREW PLAS FIX 45 TC POZI D.3,5X10        |
| 11  | 5371203      | HANDLE                                    |
| 12  | 7816026      | SCREW TCEI M12X60                         |
| 13  | 7493021      | GASKET FOR LOGO HANDLE                    |
| 14  | 5371204.01   | CHROMED PLUG                              |
| 15  | 5371205.01   | BEZZERA VINTAGE LOGO LABEL                |
| 16  | 7305006TW    | SPOUT 1 WAY S/PB+PWP                      |
| 17  | 5978508.03   | ASSY BLACK HANDLE W/LOGO VINTAGE          |
| 18  | 5965590.03R  | ASSY FILTER-HOLDER E61 GROUP 2CUPS W/LOGO |
| 19  | 5965588.03R  | ASSY FILTER-HOLDER E61 GROUP 1CUP W/LOGO  |

TABLE 7  
SOLE





G.BEZZERA S.R.L.  
MACCHINE PER CAFFE' ESPRESSO  
Via Luigi Bezzera,1  
20088 Rosate - Milano - Italy  
Tel. +39 02 90848102 r.a.  
Web: [www.bezzera.com](http://www.bezzera.com)  
e-mail: [admin@bezzera.it](mailto:admin@bezzera.it)