



**SOLE**

**COD. 9942080**

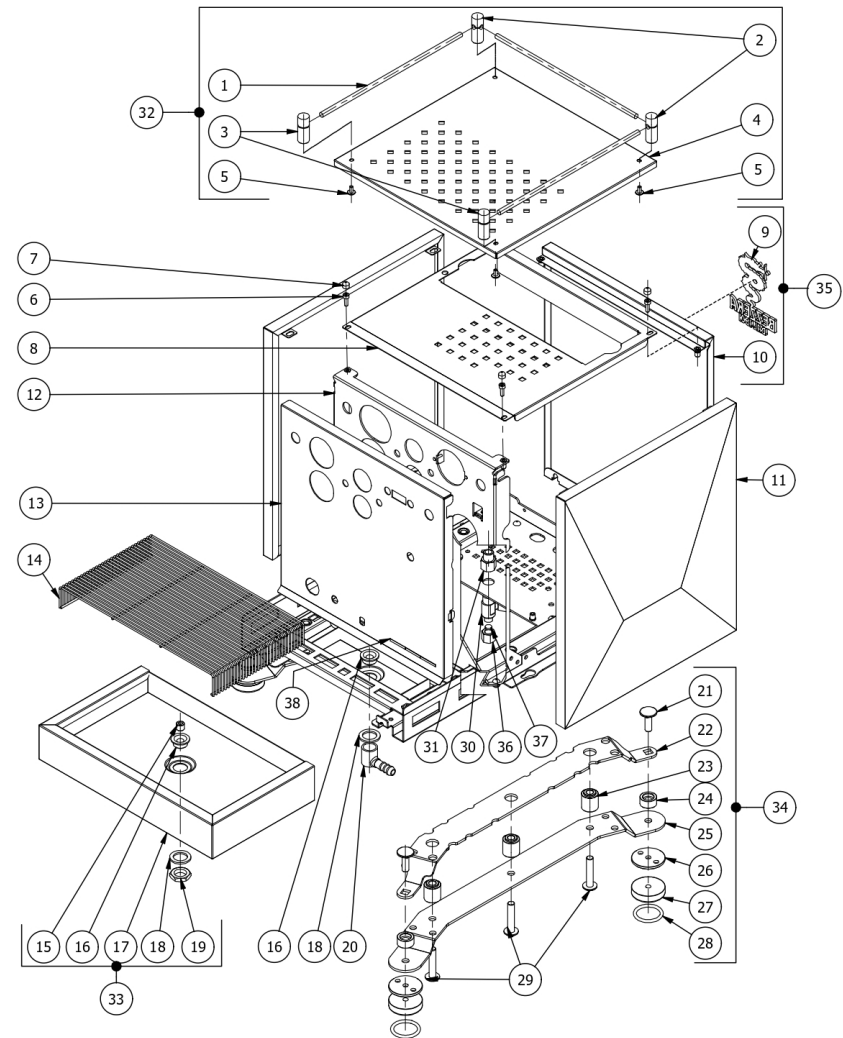
**REV. 00 ed.07/26**



TABLE 1  
SOLE

POS	CODE	DESCRIPTION
1	5260208DL	CUP-HEATER EDGE
2	5055765DL	BACKSIDE EDGE SUPPORT FOR CUP-HEATER
3	5055764DL	FRONTAL SIDE EDGE SUPPORT FOR CUP-HEATER
4	5074692	CUP-HEATER GRID
5	7809814	SCREW TBEI M4X8
6	7816002	SCREW TCEI M4X12 UNI 5931 A2
7	5373110	BOLT COVER
8	5056363	CUP-HEATER
9	5522523	BEZZERA LABEL + LOGO BLACK
10	5011726LL-VN	SOLE BACKSIDE MATT BLACK W/COMPASSES
10	5011726LL-YI	SOLE BACKSIDE MATT WHITE W/COMPASSES
10	5011726LL-YV	SOLE BACKSIDE MATT GREEN W/COMPASSES
10	5071740LL	SOLE BACKSIDE STAINLESS STEEL W/COMPASSES
11	5011725LL-VN	SOLE LEFT/RIGHT SIDE MATT BLACK W/COMPASSES
11	5011725LL-YI	SOLE LEFT/RIGHT SIDE MATT WHITE W/COMPASSES
11	5011725LL-YV	SOLE LEFT/RIGHT SIDE MATT GREEN W/COMPASSES
11	5071739LL	SOLE LEFT/RIGHT SIDE STAINLESS STEEL W/COMPASSES
12	5964796.01R	SOLE ASSY CHASSIS
13	5074933SG	SOLE FRONTAL GROUP PANEL
14	5261013	WIRE DISCHARGE GRID DUO/MATRIX
15	7823001	DOWEL EI 1/8
16	5225230NC	FITTING 3/8" G NICKEL
17	5968159.01R	ASSY DRIP TRAY BLACK + ADHESIVE
17	5968160.01R	ASSY DRIP TRAY WHITE + ADHESIVE
17	5968161.01R	ASSY DRIP TRAY GREEN + ADHESIVE
17	5968127.01R	ASSY TRAY DUO / MATRIX + PTFE
18	5492022	GASKET D25 X 17 X 2 ASBESTOS FREE
19	5221826	NUT 3/8
20	5224403.01NC	RUBBER-HOLDER
21	7809909DL	SCREW POELIER M8X25

TABLE 1  
SOLE



**BEZZERA**

**SOLE**

TABLE 1  
SOLE

POS	CODE	DESCRIPTION
22	5059005VN	SUPERIOR LEFT/RIGHT BLACK FOOT
23	5262209	CENTRAL FOOT SPACER
24	5262210	FOOT SPACER
25	5059004VN	INFERIOR LEFT/RIGHT BLACK FOOT
26	5059007	FOOT REGULATION WASHER
27	5059006	FOOT
28	7496105	OR GASKET
29	7809910	SCREW M8X40
30	7451506	MINI VALVE MINI BALL 1/4-1/8
31	5302029	REDUCTION GEAR 1/4
32	5961856	ASSY CUP-HEATER
33	5968146.01	ASSY TRAY BLACK DUO/MATRIX
33	5968157.01	ASSY TRAY MATT WHITE W/DISCHARGE
33	5968158.01	ASSY TRAY GREEN DUO/MATRIX
33	5968124.01	ASSY TRAY DUO/MATRIX W/DISCHARGE
34	5962638	ASSY SOLE'S FOOT
35	5011726LL-YVR	SOLE BACKSIDE PANEL MATT GREEN W/LOGO
35	5071740LLR	SOLE BACKSIDE PANEL STAINLESS STEEL W/LOGO
35	5011726LL-VNR	SOLE BACKSIDE PANEL MATT BLACK W/LOGO
35	5011726LL-YIR	SOLE BACKSIDE PANEL MATT WHITE W/LOGO
36	5221835	CAP NUT 1/8
37	5492019	GASKET D8 X 2 ASBESTOS FREE
38	5521556	ITALY FLAG ADHESIVE 3,5"

**BEZZERA**

**SOLE**

TABLE 1  
SOLE

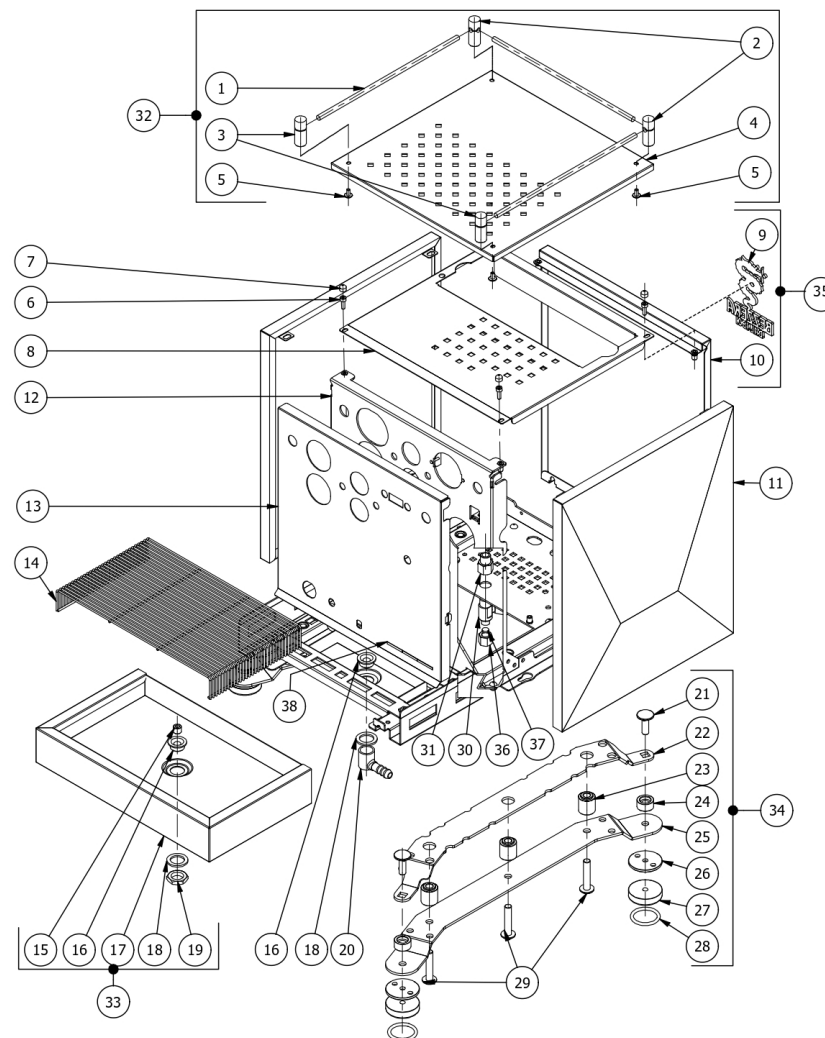


TABLE 1A  
SOLE FAST HEATING

POS	CODE	DESCRIPTION
1	5260208DL	CUP-HEATER EDGE
2	5055765DL	BACKSIDE EDGE SUPPORT FOR CUP-HEATER
3	5055764DL	FRONTAL SIDE EDGE SUPPORT FOR CUP-HEATER
4	5074692	CUP-HEATER GRID
5	7809814	SCREW TBEI M4X8
6	7816002	SCREW TCEI M4X12 UNI 5931 A2
7	5373110	BOLT COVER
8	5056363	CUP-HEATER
9	5522523	BEZZERA LABEL + LOGO BLACK
10	5071740LL	SOLE BACKSIDE STAINLESS STEEL W/COMPASSES
10	5011726LL-VN	SOLE BACKSIDE MATT BLACK W/COMPASSES
10	5011726LL-YI	SOLE BACKSIDE MATT WHITE W/COMPASSES
10	5011726LL-YV	SOLE BACKSIDE MATT GREEN W/COMPASSES
11	5071739LL	SOLE LEFT/RIGHT SIDE STAINLESS STEEL W/COMPASSES
11	5011725LL-VN	SOLE LEFT/RIGHT SIDE MATT BLACK W/COMPASSES
11	5011725LL-YI	SOLE LEFT/RIGHT SIDE MATT WHITE W/COMPASSES
11	5011725LL-YV	SOLE LEFT/RIGHT SIDE MATT GREEN W/COMPASSES
12	5964796.02R	SOLE ASSY CHASSIS
13	5074946SG	SOLE FRONTAL GROUP PANEL
14	5261013	WIRE DISCHARGE GRID DUO/MATRIX
15	7823001	DOWEL EI 1/8
16	5225230NC	FITTING 3/8" G NICKEL
17	5968127R	ASSY TRAY DUO / MATRIX + PTFE
17	5968159R	ASSY DRIP TRAY BLACK + ADHESIVE
17	5968160R	ASSY DRIP TRAY WHITE + ADHESIVE
17	5968161R	ASSY DRIP TRAY GREEN + ADHESIVE
18	5492022	GASKET D25 X 17 X 2 ASBESTOS FREE
19	5221826	NUT 3/8
20	5224403.01NC	RUBBER-HOLDER
21	7809909DL	SCREW POELIER M8X25

TABLE 1A  
SOLE FAST HEATING

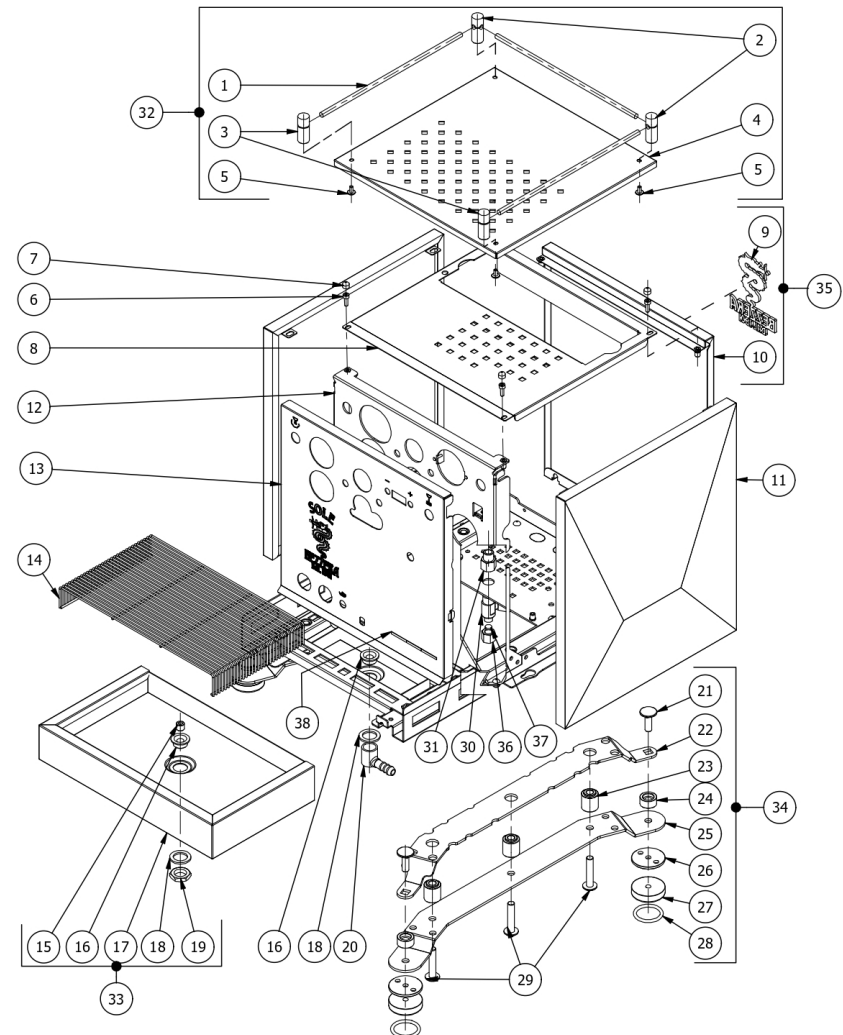


TABLE 1A  
SOLE FAST HEATING

POS	CODE	DESCRIPTION
22	5059005VN	SUPERIOR LEFT/RIGHT BLACK FOOT
23	5262209	CENTRAL FOOT SPACER
24	5262210	FOOT SPACER
25	5059004VN	INFERIOR LEFT/RIGHT BLACK FOOT
26	5059007	FOOT REGULATION WASHER
27	5059006	FOOT
28	7496105	OR GASKET
29	7809910	SCREW M8X40
30	7451506	MINI VALVE MINI BALL 1/4-1/8
31	5302029	REDUCTION GEAR 1/4
32	5961856	ASSY CUP-HEATER
33	5968124	ASSY TRAY DUO/MATRIX W/DISCHARGE
33	5968146	ASSY TRAY BLACK DUO/MATRIX
33	5968157	ASSY TRAY MATT WHITE W/DISCHARGE
33	5968158	ASSY TRAY GREEN DUO/MATRIX
34	5962638	ASSY SOLE'S FOOT
35	5071740LLR	SOLE BACKSIDE PANEL STAINLESS STEEL W/LOGO
35	5011726LL-VNR	SOLE BACKSIDE PANEL MATT BLACK W/LOGO
35	5011726LL-YIR	SOLE BACKSIDE PANEL MATT WHITE W/LOGO
35	5011726LL-YVR	SOLE BACKSIDE PANEL MATT GREEN W/LOGO
36	5221835	CAP NUT 1/8
37	5492019	GASKET D8 X 2 ASBESTOS FREE
38	5521556	ITALY FLAG ADHESIVE 3,5"

TABLE 1A  
SOLE FAST HEATING

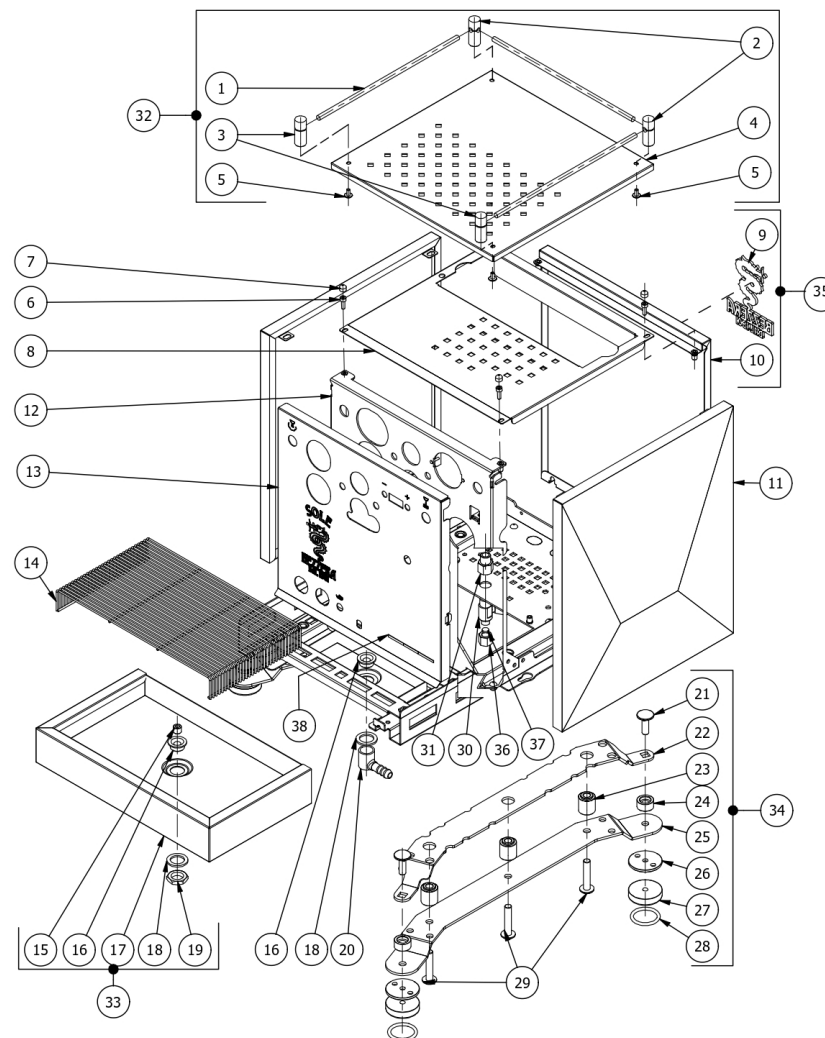


TABLE 2  
SOLE

POS	CODE	DESCRIPTION
1	7374002	FILTER 1/4
2	7496076	GASKET OR 112 EP856 80SH
3	5963345	ASSY TANK W/FITTING
4	5058463.03LL	TANK SUPPORT W/COMPASSES
5	7812402	NUT M3 UNI7473 A2 SELF-LOCKING INOX
6	7666011	TANK SENSOR
7	5191510	SPACER
8	7474212	ADHESIVE FEET
9	5059921LW	TANK SENSOR COVER
10	5375304	PLASTIC NUT
11	7811801	S/S NUT M8
12	7742405	ELECTRIC MOTOR 220/240V
12	7741007	ELECTRIC MOTOR 110-115V 50/60HZ
13	5375300	PIPE FOR TANK W/RUBBER-HOLDER
14	7611512	CLAMP
15	5194541	PIPE L=160MM
16	5194547	SILICON PIPE 8X5X150
17	5194540	SILICON PIPE D8X5X1.5 L=300
18	7303039	FITTING
19	7400909	PUMP CAPILLARY
20	5194651	SILICON PIPE
21	5221844	NUT 1/8
22	7815001	WASHER D10 UNI 6592 A2
23	7432523.02	PRESSURE GAUGE D40 16BAR TRICOLOUR
24	5283062	CONICAL DISCHARGE FITTING
25	7812706	NUT M4
26	7303070TT	ELBOW FITTING
27	7818009	SCREW AUTOF.TB D2.9X6.5 INOX
28	5055761	COVER FOR NET/TANK
29	7303069	RUBBER-HOLDER FITTING M 1/4

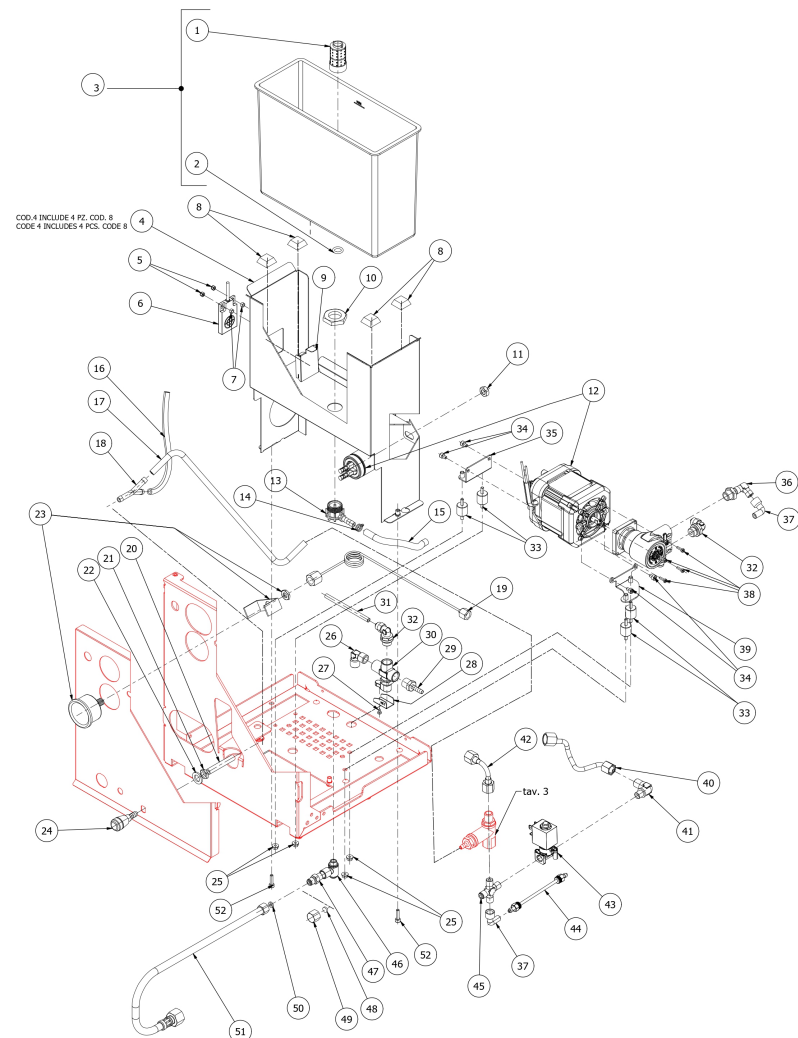
TABLE 2  
SOLE

TABLE 2  
SOLE

POS	CODE	DESCRIPTION
30	7304557TT	3 WAYS VALVE
31	5194711	PTFE PIPE
32	7303072TT	REVOLVING FITTING 1/4"
33	7470604	VIBRATION-DAMPING
34	7816017	SCREW TCEI M4X6
35	5058514	BACKSIDE ENGINE SUPPORT
36	7304546TR	ELBOW FITTING 1/8"
37	7303063TR	ELBOW FITTING BODY 1/8"
38	7819921	SCREW M3x10
39	5058515	FRONTAL ENGINE SUPPORT
40	5162567LL	LOAD PIPE
41	5301504AL	ELBOW FITTING M12X1/8
42	5162236.01LL	SURPRESSION VALVE - HEAT EXCHANGERPIPE
43	7701123.01	EV.2 WAY 110V 25BAR SMALL COIL
43	7702415.01	EV.2 WAY 240V 25BAR SMALL COIL
43	7702322.01	EV.2WAY OLAB 220/230V 25BAR SMALL
44	5194670.01LL	ASSY PIPE PTFE
45	7304545TR	CROSS FITTING 1/8
46	7304556TT	REVOLVING FITTING
47	7304502TT	SERTO FITTING 1/8"
48	5492019	GASKET D8 X 2 ASBESTOS FREE
49	5221835	CAP NUT 1/8
50	7492004	GASKET D8.5 X 4.2 X 1.5
51	7200514	FLEXIBLE HOSE 3/8
52	7816004	SCREW TCEI M4X16 A2

TABLE 2  
SOLE

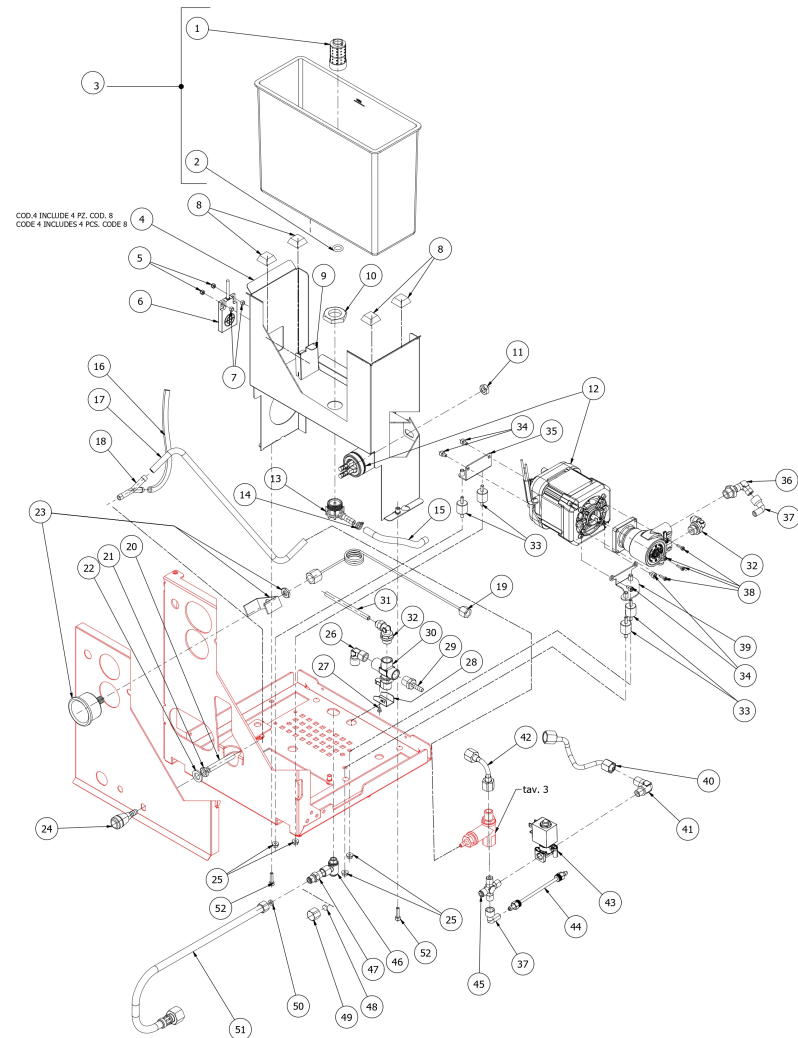


TABLE 3  
SOLE

POS	CODE	DESCRIPTION
1	5302017AL	FITTING M12 ES16 H26.5 OT57USA
2	5471505	CALIBRATED SPRING D0.45 H22 AISI302
3	5224615AL	GASKET-HOLDER SURP.VALVE OT57USA
4	7496018	OR GASKET 105
5	5283053TP	SURPRESSION VALVE BODY
6	5471019	FILTER D8,5X5 AISI304
7	5493042	GASKET D.11X3
8	5224620AL	GASKET-HOLDER ES.12X6.8 OT57USA
9	5471539	CALIBRATED SPRING D.1,6
10	7496052	OR GASKET 114 VITON
11	5302077AL	FITTING PORT.M14X1 OTXTUBO6X4 OT57U
12	5965212.01AL	ASSY OPV ADJUST. 9/12 BAR

TABLE 3  
SOLE

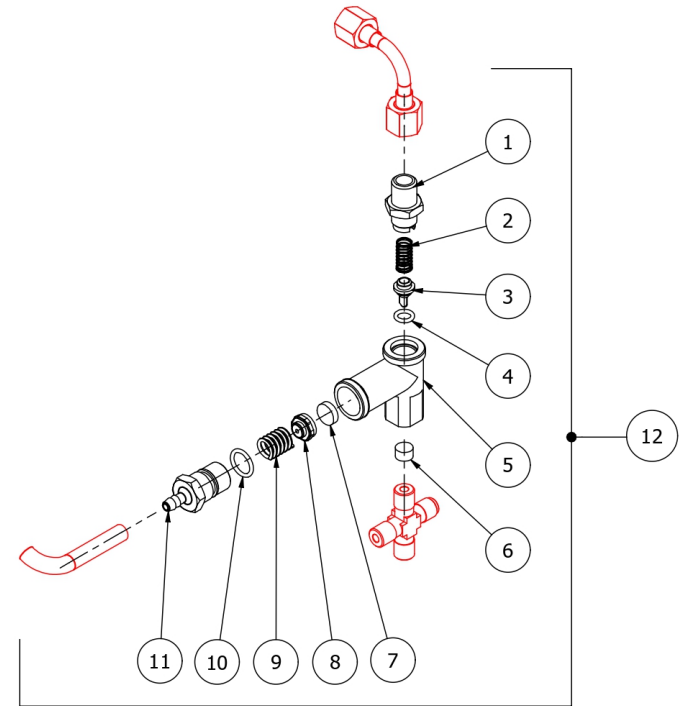
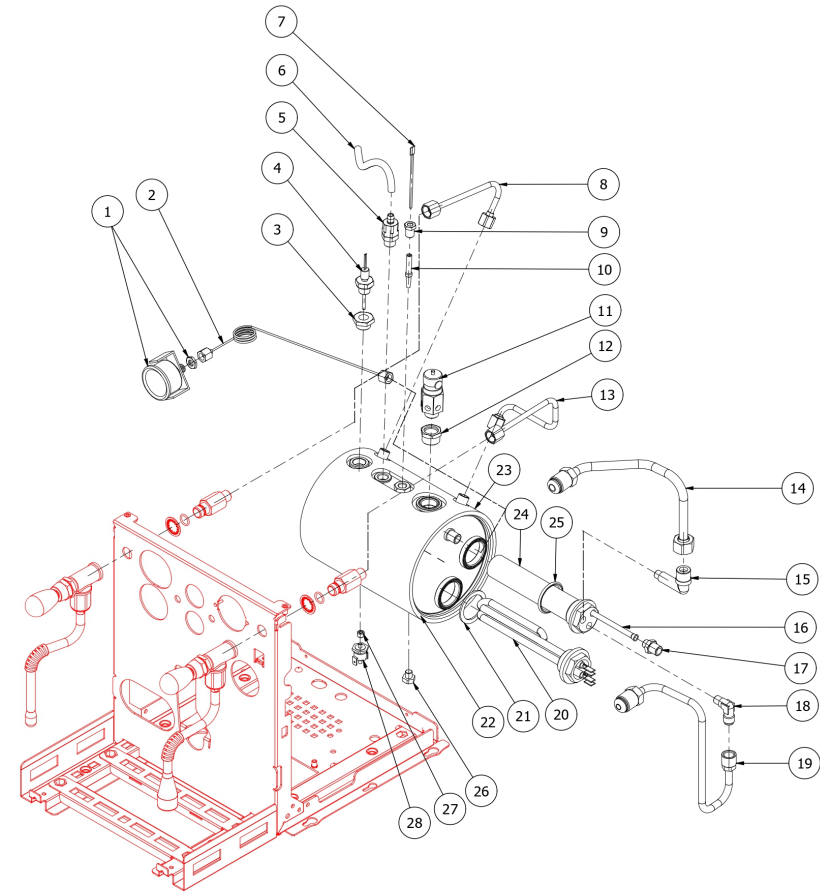


TABLE 4 - (up to 06/10/2025)  
SOLE

POS	CODE	DESCRIPTION
1	7432522.02	PRESSURE GAUGE D40 3BAR TRICOLOUR
2	7400910	BOILER CAPILLARY PID VERSION
3	5225412AL	FITTING FOR TEMPERATURE PROBE
4	7666008	PROBE X THERMOPID AISI316 D3
5	7452511.02	VALVE ANTIDEPRESSION W/RUBBER-
6	5194547	SILICON PIPE 8X5X150
7	5265826	LEVEL PROBE
8	5900033	STEAM HOSE AND FITTING KIT - SOLE LUCE
9	5225205	STRAIGHT FITTING M10 OT
10	5192001	PROBE SHEATH D8 X 45 HOLE D3 PTFE
11	7452509.02	SAFETY VALVE 3/8
12	5225413AL	REDUCTION 1/2
13	5900032	WATER HOSE AND FITTING KIT - SOLE LUCE
14	5164067.01LL	UPPER HEATING HOSE
15	5301521TR	UNION ELBOW 1/8
16	5192301	SUCTION D6X1 L=130MM PTFE
17	5302006AL	FITTING M12X1/8
18	5301520TR	UNION ELBOW MM 1/8
19	5163204LL	BOTTOM HEATING HOSE
20	5721127AL	COPPER HEATING ELEMENT 110V 1350W
20	5722240.01AL	HEATING ELEMENT 220/240V-1250/1450W
21	5492025	GASKET D42X32X2 PTFE
22	5320509BL	BOILER
23	9991035	BOILER COVER
24	5329020DC-AL	EXCHANGER 3 HOLES L=1440 MAG-MIT.
25	5495007	COPPER GASKET D32X40
26	5227012	SCREW TE M8X7.5
27	5227007	DOWEL M8 X 6 HOLE M4 OT
28	7434009	THERMOSTAT MANUAL 16A 135°C

TABLE 4 - (up to 06/10/2025)  
SOLE

**BEZZERA**

**SOLE**

TABLE 4 - (from 07/10/2025 )  
SOLE

POS	CODE	DESCRIPTION
1	7432522.02	PRESSURE GAUGE D40 3BAR TRICOLOUR
2	7400909	PUMP CAPILLARY
3	5225412AL	FITTING FOR TEMPERATURE PROBE
4	7666008	PROBE X THERMOPID AISI316 D3
5	7452511.02	VALVE ANTIDEPRESSION W/RUBBER-
6	5194547	SILICON PIPE 8X5X150
7	5265826	LEVEL PROBE
8	5162395.01LL	STEAM TAP TUBE MITICA PID
9	5225205	STRAIGHT FITTING M10 OT
10	5192001	PROBE SHEATH D8 X 45 HOLE D3 PTFE
11	7452509.02	SAFETY VALVE 3/8
12	5225413AL	REDUCTION 1/2
13	5162496.01LL	WATER PIPE
14	5164067.01LL	UPPER HEATING HOSE
15	5301521TR	UNION ELBOW 1/8
16	5192301	SUCTION D6X1 L=130MM PTFE
17	5302006AL	FITTING M12X1/8
18	5301520TR	UNION ELBOW MM 1/8
19	5163204LL	BOTTOM HEATING HOSE
20	5721127AL	COPPER HEATING ELEMENT 110V 1350W
20	5722240AL-HT	HEATING ELEMENT 220/240V-1250/1450W
21	5492025	GASKET D42X32X2 PTFE
22	5320509BL	BOILER
23	9991035	BOILER COVER
24	5329020DC-AL	EXCHANGER 3 HOLES L=1440 MAG-MIT.
25	5495007	COPPER GASKET D32X40
26	5227012	SCREW TE M8X7.5
27	5227007	DOWEL M8 X 6 HOLE M4 OT
28	7434009	THERMOSTAT MANUAL 16A 135°C

**BEZZERA**

**SOLE**

TABLE 4 - (from 07/10/2025 )  
SOLE

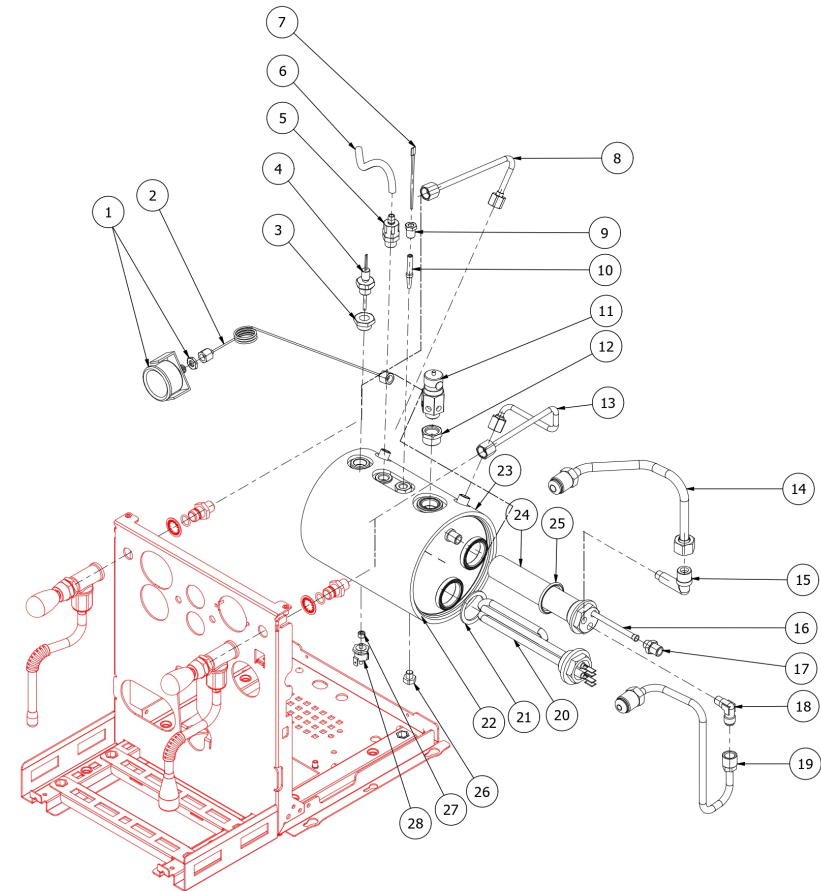
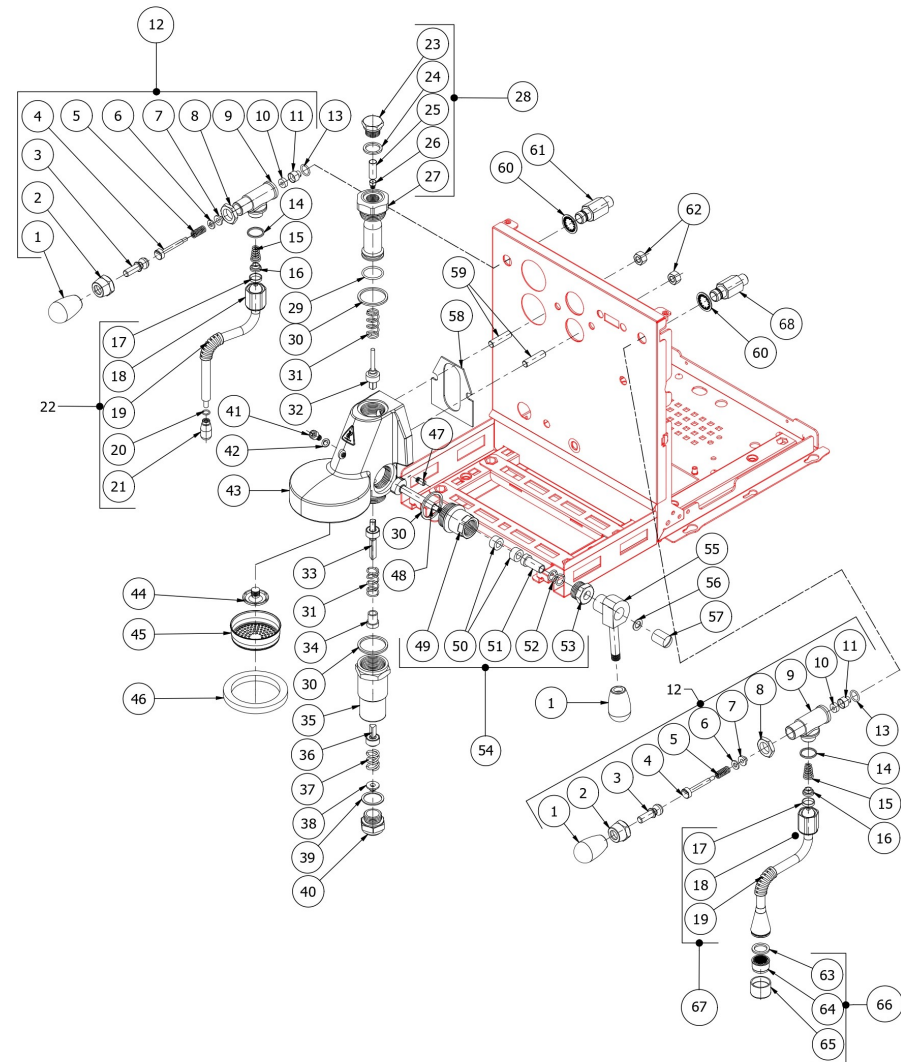


TABLE 5 - (up to 06/10/2025)  
SOLE

POS	CODE	DESCRIPTION
1	7371511.01	BLACK LEVER KNOB I.622/40-M8
2	5262801.01	FERRULE 3/8" G H17 STAINLESS STEEL
3	5225610	ARTICULATED JOINT M8
4	5260204DL	SHAFT D12X47 AISI303 POLISH
5	5471513	SPRING D8 H17 AISI302
6	5261801	WASHER D11
7	5494004	GASKET D12 X 6 PTFE GRAPHITIZED
8	5221826CM	NUT 3/8
9	5283055TW	TAP BODY OT FOR OR
10	5496042	GASKET D11X4X4 EPT 70
11	5224603AL	GASKET HOLDER D12X12 OT57USA
12	5964085.02AL	BZ07 TAP COMPLETE WITHOUT HOOKING
13	7496052	OR GASKET 114 VITON
14	5494021	NUT GASKET PTFE H=1,5
15	5471532.01	SPRING FOR ARTICULATION
16	5190501	CUP FOR FITTING PTFE/GLASS
17	5494020	GLOBE GASKET 14.3 PTFE
18	5221872.01	LOOSEN NUT 3/8
19	7371004	STEAM PIPE PROTECTION
20	7496095	OR GASKET 6X1.2 EPDM70
21	5266609	STEAM TERMINAL 2 WAYS AISI303
22	7479990.03	STEAM TUBE TERMINAL 2 HOLES SPHERE
23	7479952DL	UPPER ASSY PLUG
24	7479953	GASKET TF 22X17X2
25	7479954	INOX FILTER D.8,5X22
26	7479955.01	INJECTOR CH7X9 M6X0.75 HOLE 0.7
27	7479956.01	UPPER SLEEVE ASSY
28	7479933.01	INJECTOR 0,7 UPPER SLEEVE ASSY
29	7479934	GASKET OR 128 VITON
30	7479935	GASKET TF Ø35X30X2

TABLE 5 - (up to 06/10/2025)  
SOLE



**BEZZERA**

**SOLE**

TABLE 5 - (up to 06/10/2025)  
SOLE

POS	CODE	DESCRIPTION
31	7479936	DELIVERY VALVE SPRING
32	7479937	DELIVERY VALVE ASSY
33	7479946	ASSEMBLY VALVE
34	7479942	SPRING GUIDE BUSHING
35	7479957	LOWER SLEEVE ASSY
36	7479943	ASSEMBLY RELIEF VALVE
37	7479944	DRAIN SPRING
38	7479945	JET-BREAKER BUSHING Ø15X6
39	7479960	GASKET TF D26x21x2
40	7479961	GROUP BOTTOM FITTING
41	7479939	SCREW TCE M6X8
42	7479938	GASKET TF 10X6X1
43	7479940AL	LEVER BODY GROUP CHROMED OT57
44	7479941	SPRAYER D.30
45	5471022	INOX SHOWER FILTER
46	5493039	GASKET H8 E61 GROUP
47	7479951	CAMS LOCK STUD
48	7479950	GROUND CAMS TREE
49	7479967	CAM FLANGE
50	7479968	WASHER EP079 15.5X7.5X4
51	7479969	BUSHING
52	7479970	SPRING
53	7479971	PLUG CHROMED
54	7479949	CAM FLANGE ASSY
55	7479931	DELIVERY LEVER
56	7479947	WASHER D8
57	7479948	CAP D15XM6
58	7493011	INSULATING
59	5267013	TIE ROD M8X31 ASTM A 193 B8 C/1
60	7814201	WASHER 14 DIN6798J A2

**BEZZERA**

**SOLE**

TABLE 5 - (up to 06/10/2025)  
SOLE

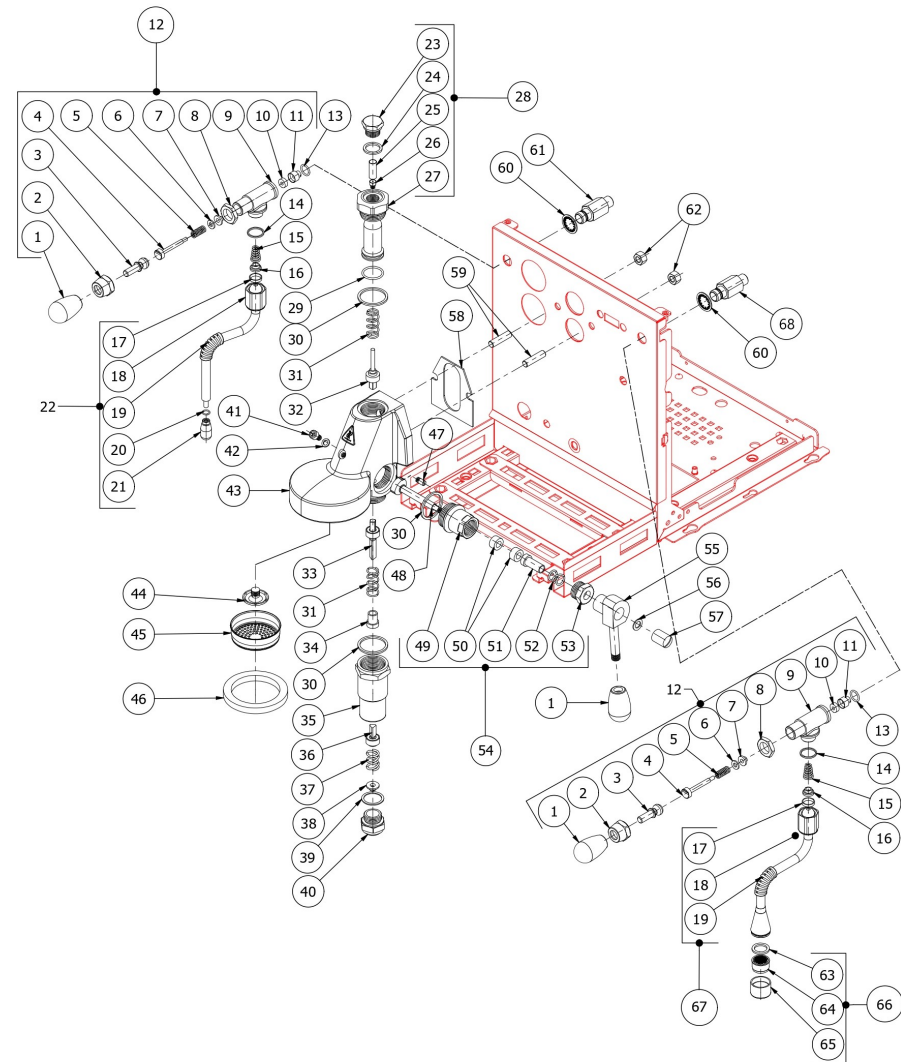


TABLE 5 - (up to 06/10/2025)  
SOLE

POS	CODE	DESCRIPTION
61	5900033	STEAM HOSE AND FITTING KIT - SOLE LUCE
62	7811402	NUT M8 UNI5587 A2
63	5493003	GASKET D20.5X15 H1.5 NBR 70SH
64	5471037	ACETALIC AIR FILTER
65	7305020TW	WATER TERMINAL
66	5226601TW	WATER HOSE TERMINAL
67	5966566	WATER TUBE SEMISPHERE 14.3
68	5900032	WATER HOSE AND FITTING KIT - SOLE LUCE

TABLE 5 - (up to 06/10/2025)  
SOLE

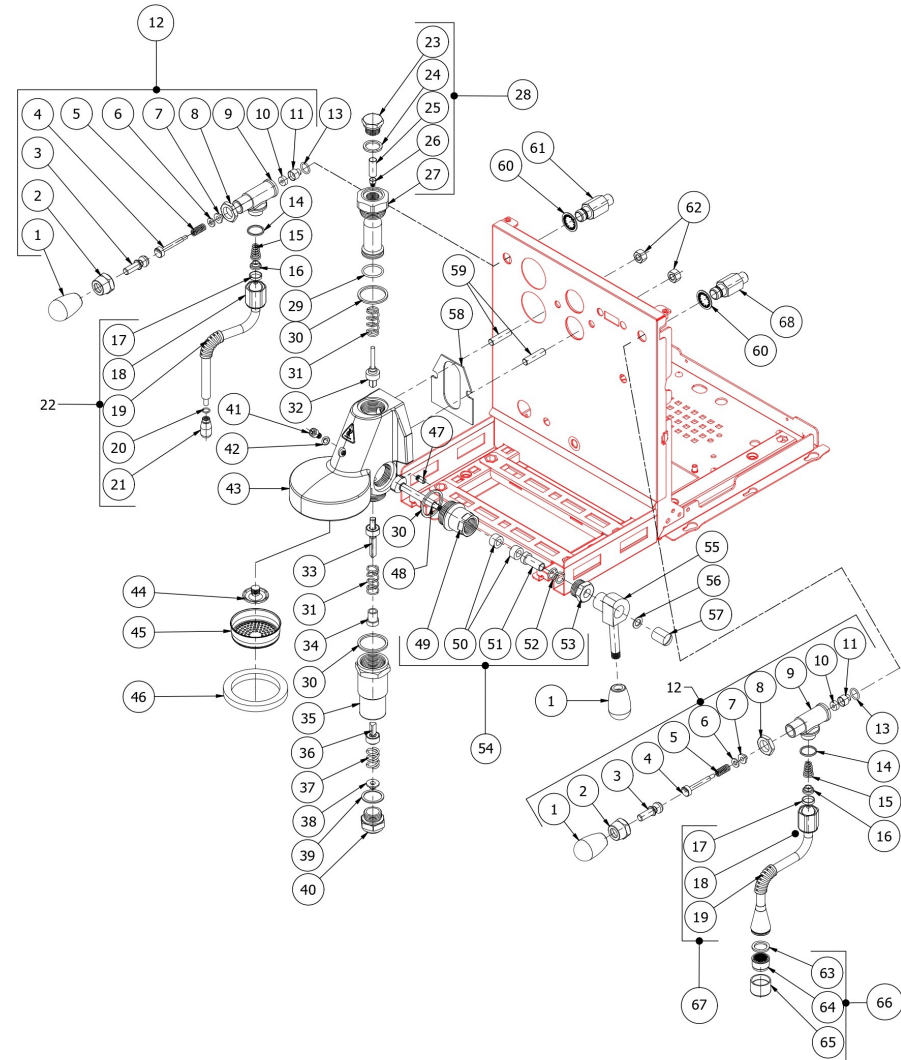
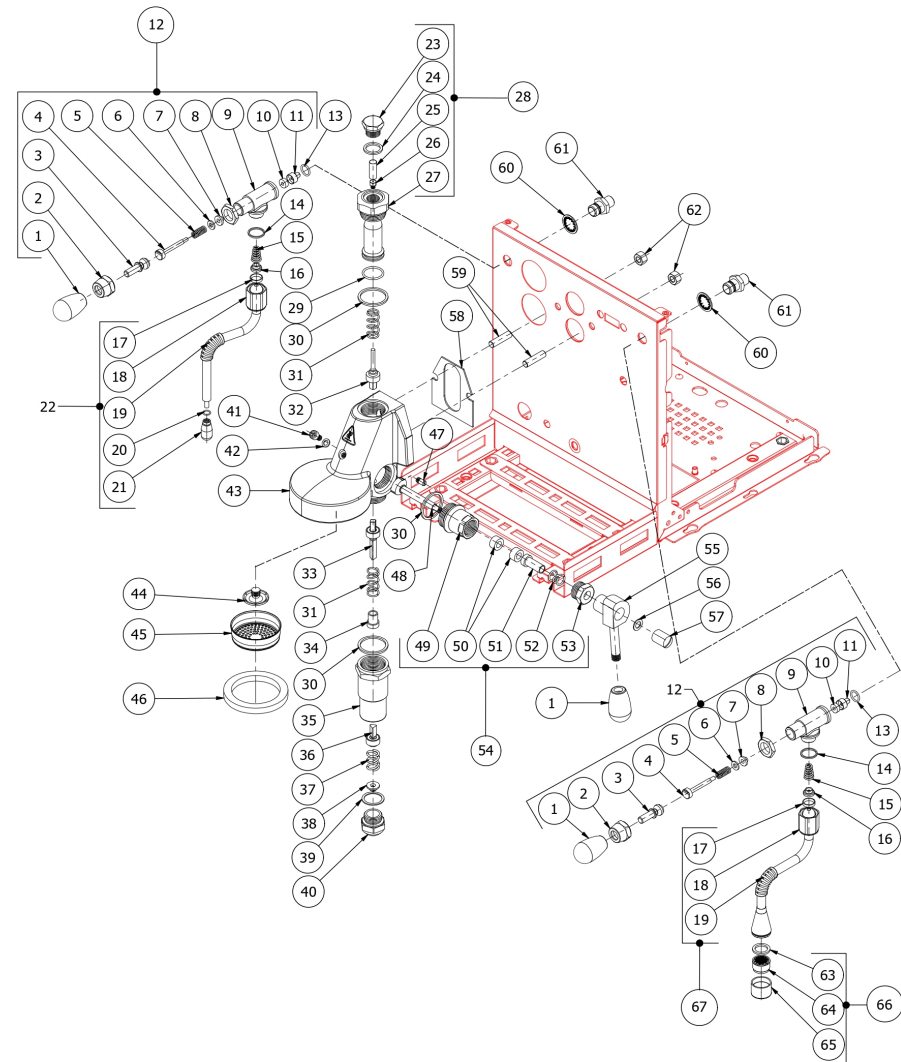


TABLE 5 - (from 07/10/2025 )  
SOLE

POS	CODE	DESCRIPTION
1	7371511.01	BLACK LEVER KNOB I.622/40-M8
2	5262801.01	FERRULE 3/8"G H17 STAINLESS STEEL
3	5225610	ARTICULATED JOINT M8
4	5260204DL	SHAFT D12X47 AISI303 POLISH
5	5471513	SPRING D8 H17 AISI302
6	5261801	WASHER D11
7	5494004	GASKET D12 X 6 PTFE GRAPHITIZED
8	5221826CM	NUT 3/8
9	5283055TW	TAP BODY OT FOR OR
10	5496042	GASKET D11X4X4 EPT 70
11	5224603AL	GASKET HOLDER D12X12 OT57USA
12	5964085.02AL	BZ07 TAP COMPLETE WITHOUT HOOKING
13	7496052	OR GASKET 114 VITON
14	5494021	NUT GASKET PTFE H=1,5
15	5471532.01	SPRING FOR ARTICULATION
16	5190501	CUP FOR FITTING PTFE/GLASS
17	5494020	GLOBE GASKET 14.3 PTFE
18	5221872.01	LOOSEN NUT 3/8
19	7371004	STEAM PIPE PROTECTION
20	7496095	OR GASKET 6X1.2 EPDM70
21	5266609	STEAM TERMINAL 2 WAYS AISI303
22	7479990.03	STEAM TUBE TERMINAL 2 HOLES SPHERE
23	7479952	UPPER ASSY PLUG
24	7479953	GASKET TF 22X17X2
25	7479954	INOX FILTER D.8,5X22
26	7479955.01	INJECTOR CH7X9 M6X0.75 HOLE 0.7
27	7479956.01	UPPER SLEEVE ASSY
28	7479933.01	INJECTOR 0,7 UPPER SLEEVE ASSY
29	7479934	GASKET OR 128 VITON
30	7479935	GASKET TF Ø35X30X2

TABLE 5 - (from 07/10/2025 )  
SOLE



**BEZZERA**

**SOLE**

TABLE 5 - (from 07/10/2025 )  
SOLE

POS	CODE	DESCRIPTION
31	7479936	DELIVERY VALVE SPRING
32	7479937	DELIVERY VALVE ASSY
33	7479946	ASSEMBLY VALVE
34	7479942	SPRING GUIDE BUSHING
35	7479957	LOWER SLEEVE ASSY
36	7479943	ASSEMBLY RELIEF VALVE
37	7479944	DRAIN SPRING
38	7479945	JET-BREAKER BUSHING Ø15X6
39	7479960	GASKET TF D26x21x2
40	7479961	GROUP BOTTOM FITTING
41	7479939	SCREW TCE M6X8
42	7479938	GASKET TF 10X6X1
43	7479940AL	LEVER BODY GROUP CHROMED OT57
44	7479941	SPRAYER D.30
45	5471022	INOX SHOWER FILTER
46	5493039	GASKET H8 E61 GROUP
47	7479951	CAMS LOCK STUD
48	7479950	GROUND CAMS TREE
49	7479967	CAM FLANGE
50	7479968	WASHER EP079 15.5X7.5X4
51	7479969	BUSHING
52	7479970	SPRING
53	7479971	PLUG CHROMED
54	7479949	CAM FLANGE ASSY
55	7479931	DELIVERY LEVER
56	7479947	WASHER D8
57	7479948	CAP D15XM6
58	7493011	INSULATING
59	5267013	TIE ROD M8X31 ASTM A 193 B8 C/1
60	7814201	WASHER 14 DIN6798J A2

**BEZZERA**

**SOLE**

TABLE 5 - (from 07/10/2025 )  
SOLE

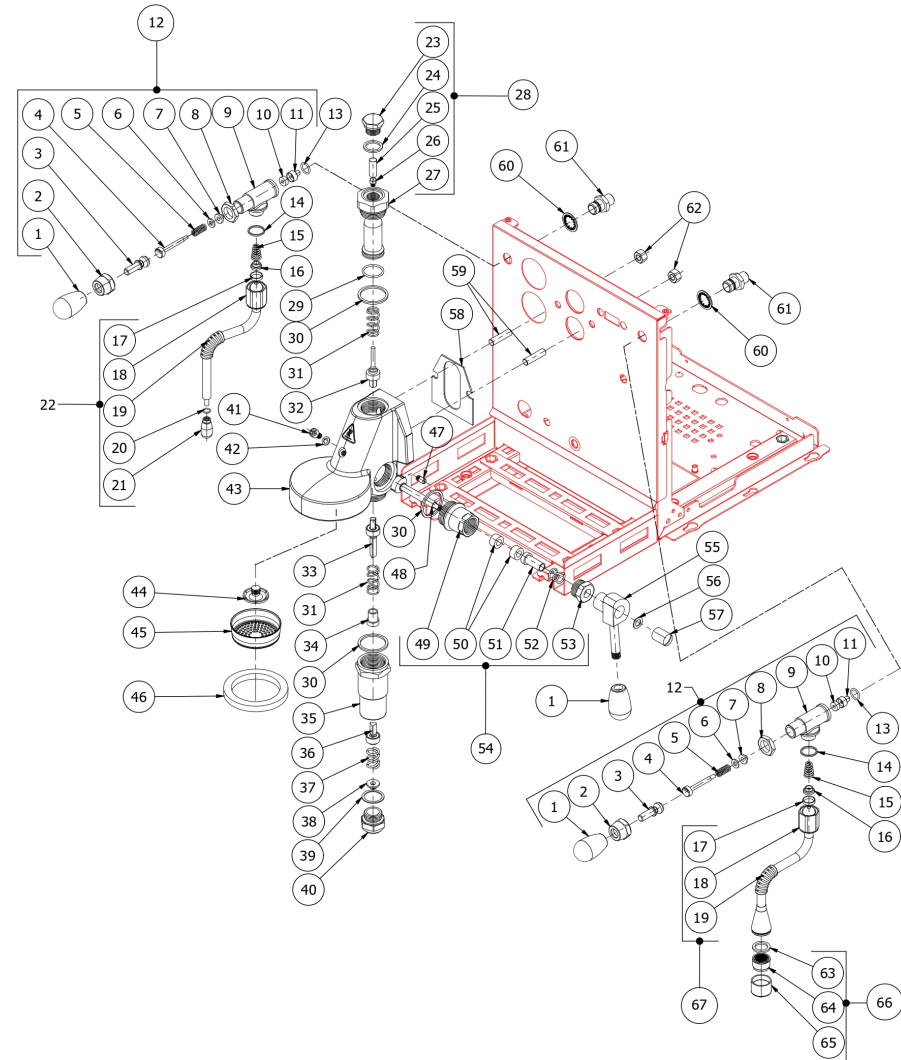


TABLE 5 - (from 07/10/2025 )  
SOLE

POS	CODE	DESCRIPTION
61	5225416.01AL	FITTING M14XM13 ES19 H31 WITHOUT OR
62	7811402	NUT M8 UNI5587 A2
63	5493003	GASKET D20.5X15 H1.5 NBR 70SH
64	5471037	ACETALIC AIR FILTER
65	7305020TW	WATER TERMINAL
66	5226601TW	WATER HOSE TERMINAL
67	5966566	WATER TUBE SEMISPHERE 14.3

TABLE 5 - (from 07/10/2025 )  
SOLE

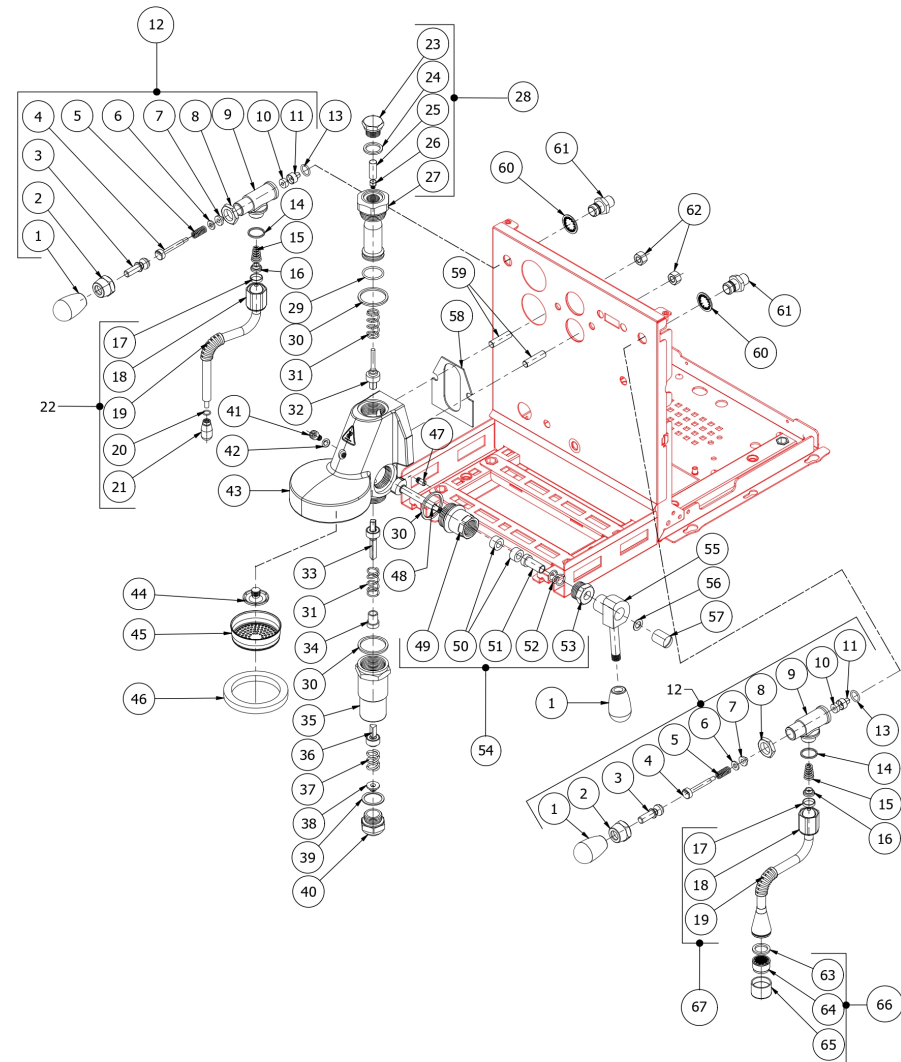


TABLE 5A  
SOLE FAST HEATING

POS	CODE	DESCRIPTION
1	7371511.01	BLACK LEVER KNOB I.622/40-M8
2	5262801.01	FERRULE 3/8" G H17 STAINLESS STEEL
3	5225610	ARTICULATED JOINT M8
4	5260204DL	SHAFT D12X47 AISI303 POLISH
5	5471513	SPRING D8 H17 AISI302
6	5261801	WASHER D11
7	5494004	GASKET D12 X 6 PTFE GRAPHITIZED
8	5221826CM	NUT 3/8
9	5283055TW	TAP BODY OT FOR OR
10	5496042	GASKET D11X4X4 EPT 70
11	5224603AL	GASKET HOLDER D12X12 OT57USA
12	5964085.02AL	BZ07 TAP COMPLETE WITHOUT HOOKING
13	7496052	OR GASKET 114 VITON
14	5494021	NUT GASKET PTFE H=1,5
15	5471532.01	SPRING FOR ARTICULATION
16	5190501	CUP FOR FITTING PTFE/GLASS
17	5494020	GLOBE GASKET 14.3 PTFE
18	5221872.01	LOOSEN NUT 3/8
19	7371004	STEAM PIPE PROTECTION
20	7496095	OR GASKET 6X1.2 EPDM70
21	5266609	STEAM TERMINAL 2 WAYS AISI303
22	7479990.03	STEAM TUBE TERMINAL 2 HOLES SPHERE
23	7479952	UPPER ASSY PLUG
24	7479953	GASKET TF 22X17X2
25	7479954	INOX FILTER D.8,5X22
26	7479955.01	INJECTOR CH7X9 M6X0.75 HOLE 0.7
27	7479956.01	UPPER SLEEVE ASSY
28	7479933.01	INJECTOR 0,7 UPPER SLEEVE ASSY
29	7479934	GASKET OR 128 VITON
30	7479935	GASKET TF Ø35X30X2

TABLE 5A  
SOLE FAST HEATING

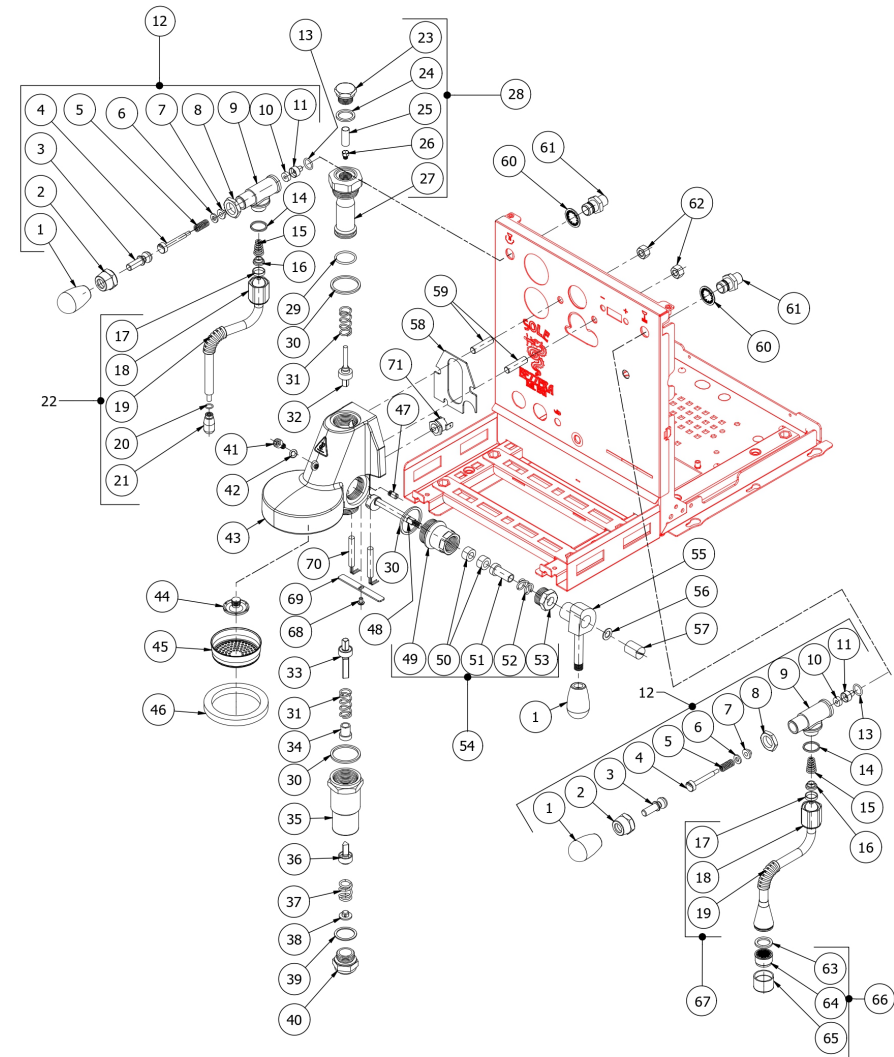


TABLE 5A  
SOLE FAST HEATING

POS	CODE	DESCRIPTION
31	7479936	DELIVERY VALVE SPRING
32	7479937	DELIVERY VALVE ASSY
33	7479946	ASSEMBLY VALVE
34	7479942	SPRING GUIDE BUSHING
35	7479957	LOWER SLEEVE ASSY
36	7479943	ASSEMBLY RELIEF VALVE
37	7479944	DRAIN SPRING
38	7479945	JET-BREAKER BUSHING Ø15X6
39	7479960	GASKET TF D26x21x2
40	7479961	GROUP BOTTOM FITTING
41	7479939	SCREW TCE M6X8
42	7479938	GASKET TF 10X6X1
43	7479962AL	LEVER BODY GROUP E61 CR.OT57 FOR FAST HEATING
44	7479941	SPRAYER D.30
45	5471022	INOX SHOWER FILTER
46	5493039	GASKET H8 E61 GROUP
47	7479951	CAMS LOCK STUD
48	7479950	GROUND CAMS TREE
49	7479967	CAM FLANGE
50	7479968	WASHER EP079 15.5X7.5X4
51	7479969	BUSHING
52	7479970	SPRING
53	7479971	PLUG CHROMED
54	7479949	CAM FLANGE ASSY
55	7479931	DELIVERY LEVER
56	7479947	WASHER D8
57	7479948	CAP D15XM6
58	7493026	INSULATING
59	5267013	TIE ROD M8X31 ASTM A 193 B8 C/1
60	7814201	WASHER 14 DIN6798J A2

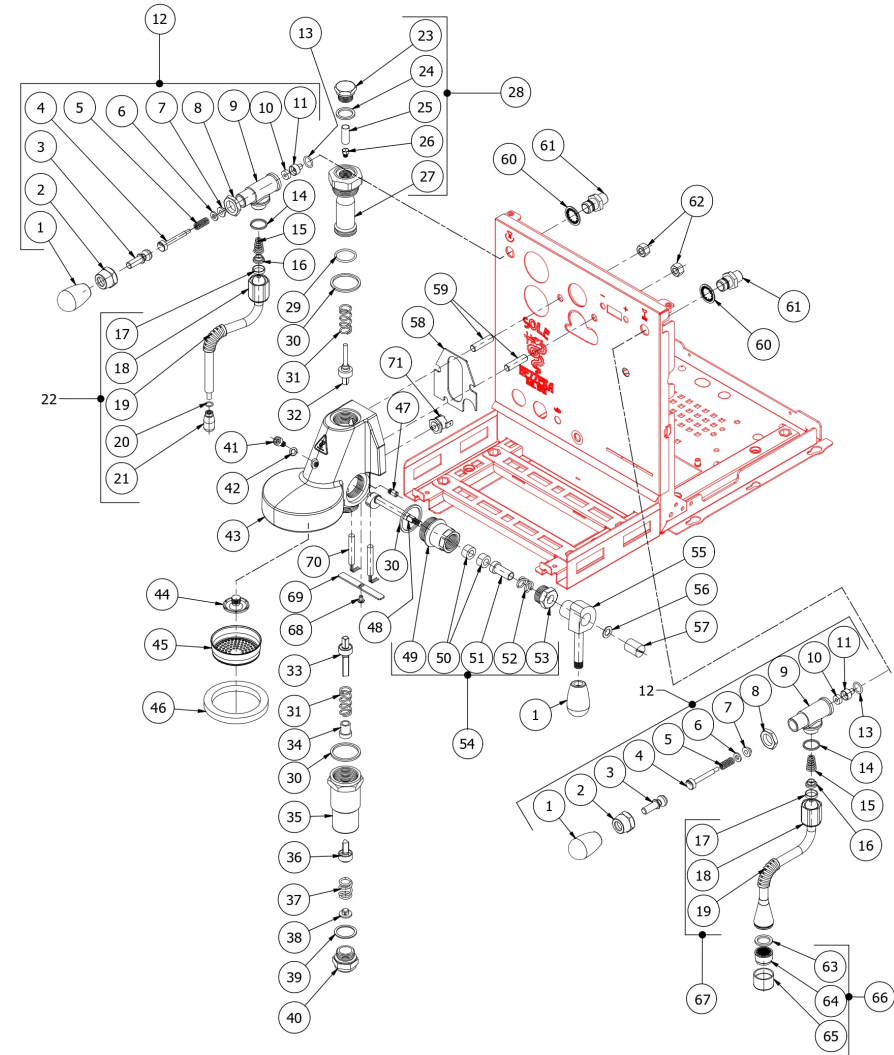
TABLE 5A  
SOLE FAST HEATING

TABLE 5A  
SOLE FAST HEATING

POS	CODE	DESCRIPTION
61	5225416.01AL	FITTING M14XM13 ES19 H31 WITHOUT OR
62	7811402	NUT M8 UNI5587 A2
63	5493003	GASKET D20.5X15 H1.5 NBR 70SH
64	5471037	ACETALIC AIR FILTER
65	7305020TW	WATER TERMINAL
66	5226601TW	WATER HOSE TERMINAL
67	5966566	WATER TUBE SEMISPHERE 14.3
68	7819912	SCREW M4X6
69	5058533	GLOW PLUG COVER GROUP E61
70	5963403	GLOW PLUG ASSY DOUBLE 110/120V 150W
70	5963401	GLOW PLUG ASSY DOUBLE 220/240V 150W
71	7634808	THERMAL SAFETY DEVICE 250V 95°C

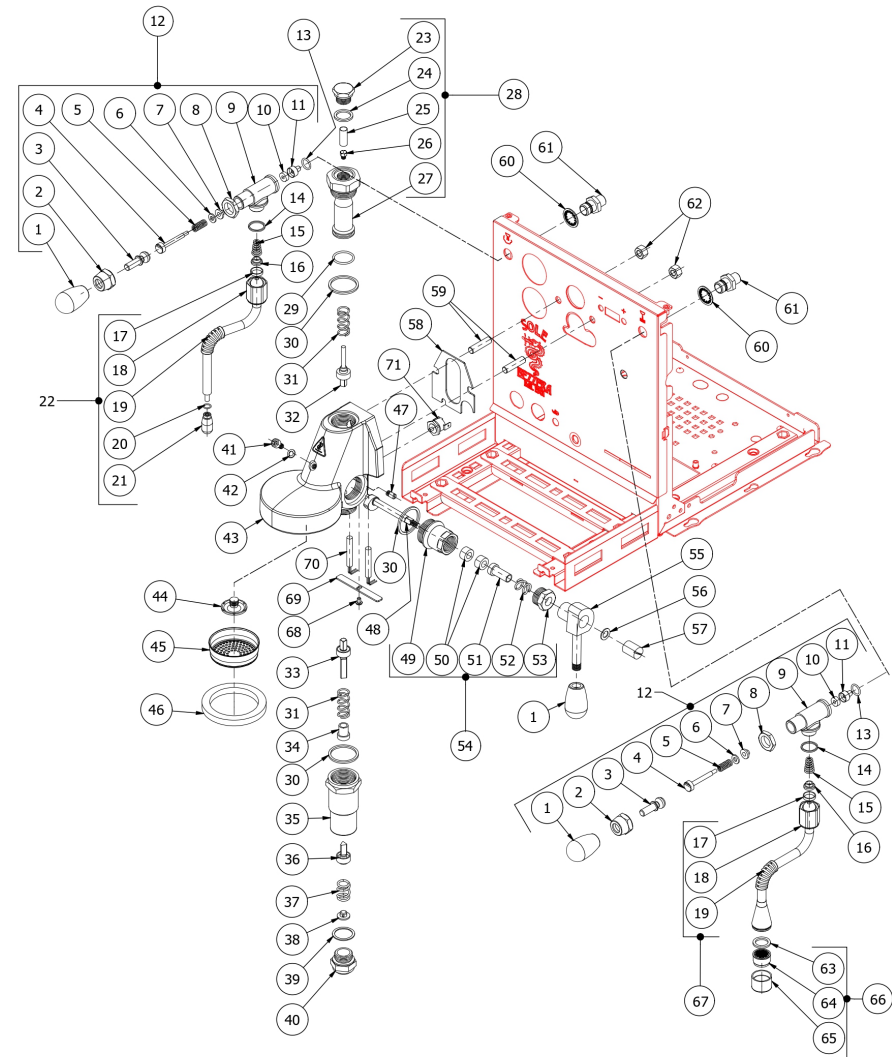
TABLE 5A  
SOLE FAST HEATING

TABLE 6  
SOLE

POS	CODE	DESCRIPTION
1	7551001	ELECTRIC CABLE WITH USA PLUG L=1.5M
1	7555007	ELECTRIC CABLE WITH CHINA PLUG
1	7552001	ELECTRIC CABLE WITH AUSTRALIAN PLUG
1	7554001	ELECTRIC CABLE WITH ENGLISH PLUG
1	7553001	CABLE ISRAELE PLUG H05VV-F 3G1.5M
1	7555001	ELECTRIC CABLE WITH SHUKO PLUG
2	7614006	NUT PG13.5
3	7819908	SCREW TTEI M4X8
4	7819404	TAPPING SCREW TPS D2.9X9.5 UNI 6952
5	5035732LW	ELECTRIC PARTS PLATE
6	7812601	INOX NUT M4 UNI5588
7	7614007	FAIRLEAD WITH HOLE RUBBER
8	7661006R	LEVEL REGULATOR 100/120V 50/60HZ
8	7661007R	LEVEL REGULATOR 220/240V 50/60HZ
9	7635424.01	RELAIS SSR FOR T.PID
10	7816009	SCREW TCEI M4X10 UNI 5931A2
11	7633628	WHITE LAMP
12	7633910.01	MICRO SWITCH 2 POLIES W/WEEL
13	5221875CM	NUT M10X0,75
14	5522077	PID ADHESIVE LABEL
15	5191522	SPACER
16	7665544	TPID DISPLAY CARD WHITE (PR)
17	5191518	PLASTIC SPACER M2.5X10
18	5053069LW	PID DISPLAY COVER
19	7816030	SCREW TCEI
20	7633355SG	SWITCH 110V ON/OFF
20	7633354SG	SWITCH 230V ON/OFF
21	7809817	SCREW M4X12
22	5343104	PID COMPLETE COVER
23	5191513	SPACER NYLON 66 L=7 MM

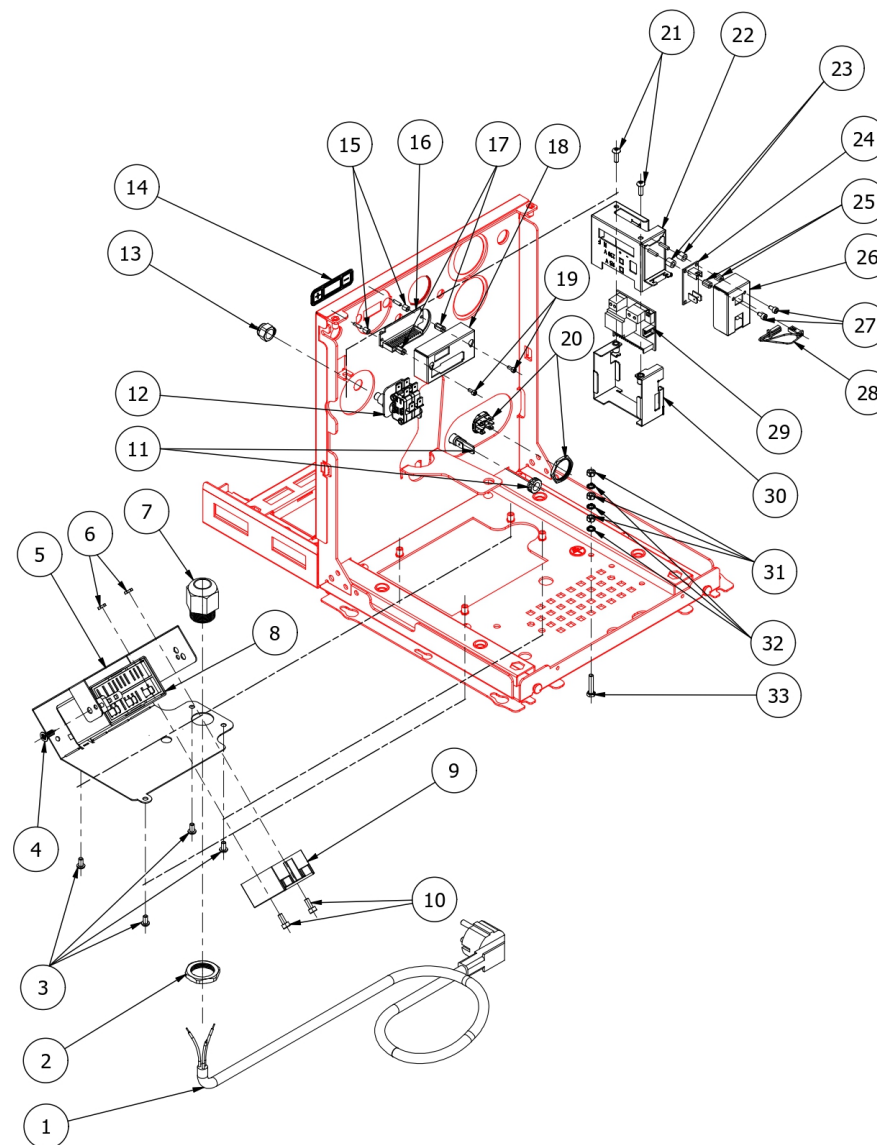
TABLE 6  
SOLE

TABLE 6  
SOLE

POS	CODE	DESCRIPTION
24	7665545	OPTO TIMER BOARD (PR)
25	7639915	PLASTIC SPACER M3X8
25	5058513LL	SUPPORT PID CARD W/COMPASSES
26	5053061LW	COVER OPTO TIMER (PR)
27	7816016	SCREW TCEI M3X6
28	7663641	CONNECTION CABLE CARD
29	7434026.03	TERMOSTAT TPID 110V WITHOUT DISPLAY
29	7434027.03	THERMOSTAT TPID 230/240V S/DISP
30	5058513LL	SUPPORT PID CARD W/COMPASSES
31	7822603	NUT M4 OT
32	7814001	WASHER D4 DIN 6798A A2
33	7826411	SCREW TE M4X20 UNI5739 OT

TABLE 6  
SOLE

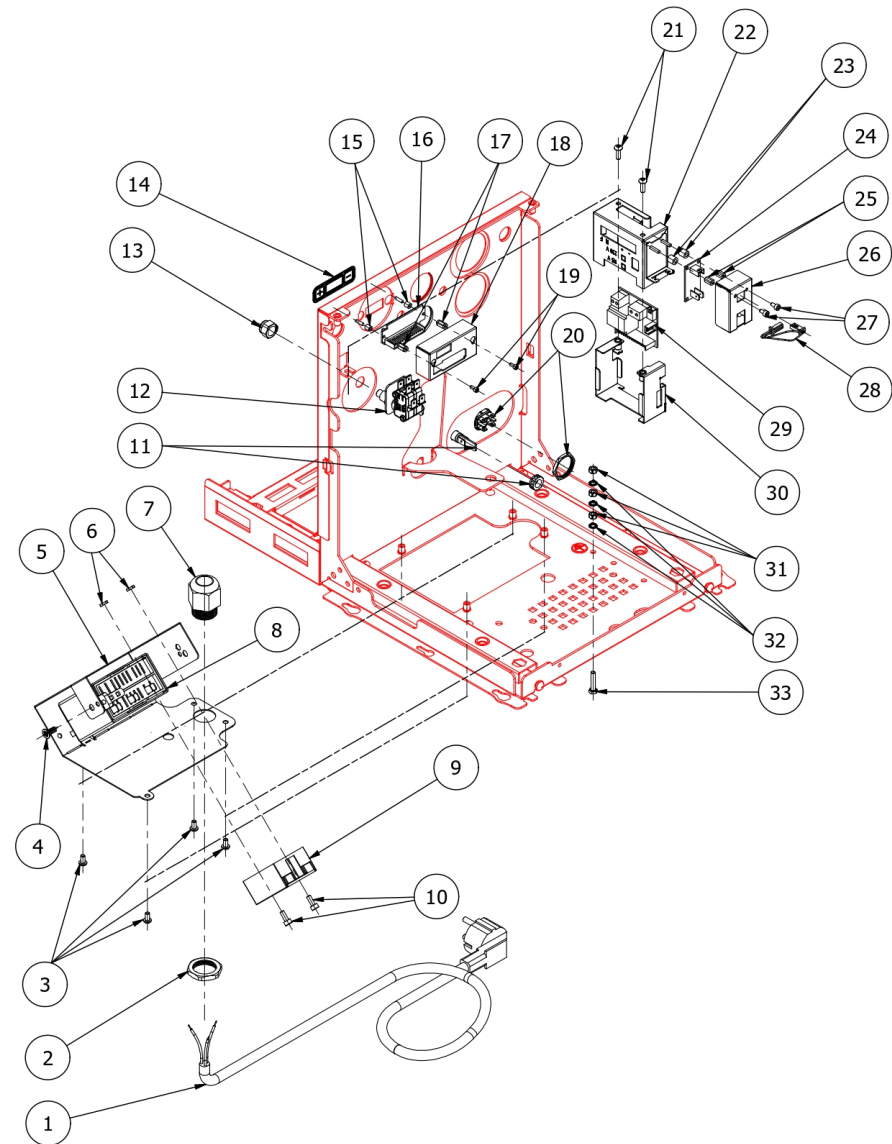


TABLE 6A  
SOLE FAST HEATING

POS	CODE	DESCRIPTION
1	7551001	ELECTRIC CABLE WITH USA PLUG L=1.5M
1	7555007	ELECTRIC CABLE WITH CHINA PLUG
1	7552001	ELECTRIC CABLE WITH AUSTRALIAN PLUG
1	7554001	ELECTRIC CABLE WITH ENGLISH PLUG
1	7553001	CABLE ISRAELE PLUG H05VV-F 3G1.5M
1	7555001	ELECTRIC CABLE WITH SHUKO PLUG
2	7614006	NUT PG13.5
3	7819908	SCREW TTEI M4X8
4	7819404	TAPPING SCREW TPS D2.9X9.5 UNI 6952
5	5035732LW	ELECTRIC PARTS PLATE
6	7812601	INOX NUT M4 UNI5588
7	7614007	FAIRLEAD WITH HOLE RUBBER
8	7661006R	LEVEL REGULATOR 100/120V 50/60HZ
8	7661007R	LEVEL REGULATOR 220/240V 50/60HZ
9	7635424.01	RELAIS SSR FOR T.PID
10	7816009	SCREW TCEI M4X10 UNI 5931A2
11	7633628	WHITE LAMP
12	7633910.01	MICRO SWITCH 2 POLIES W/WHEEL
13	5221875CM	NUT M10X0,75
14	5661508	STAINLESS STEEL THERMOPID DISPLAY BUTTON
15	5191522	SPACER
16	7665544	TPID DISPLAY CARD WHITE (PR)
17	5191518	PLASTIC SPACER M2.5X10
18	5053069LW	PID DISPLAY COVER
19	7816030	SCREW TCEI
20	7633354SG	SWITCH 230V ON/OFF
20	7633355SG	SWITCH 110V ON/OFF
21	7809817	SCREW M4X12
22	5343104	PID COMPLETE COVER
23	5191513	SPACER NYLON 66 L=7 MM

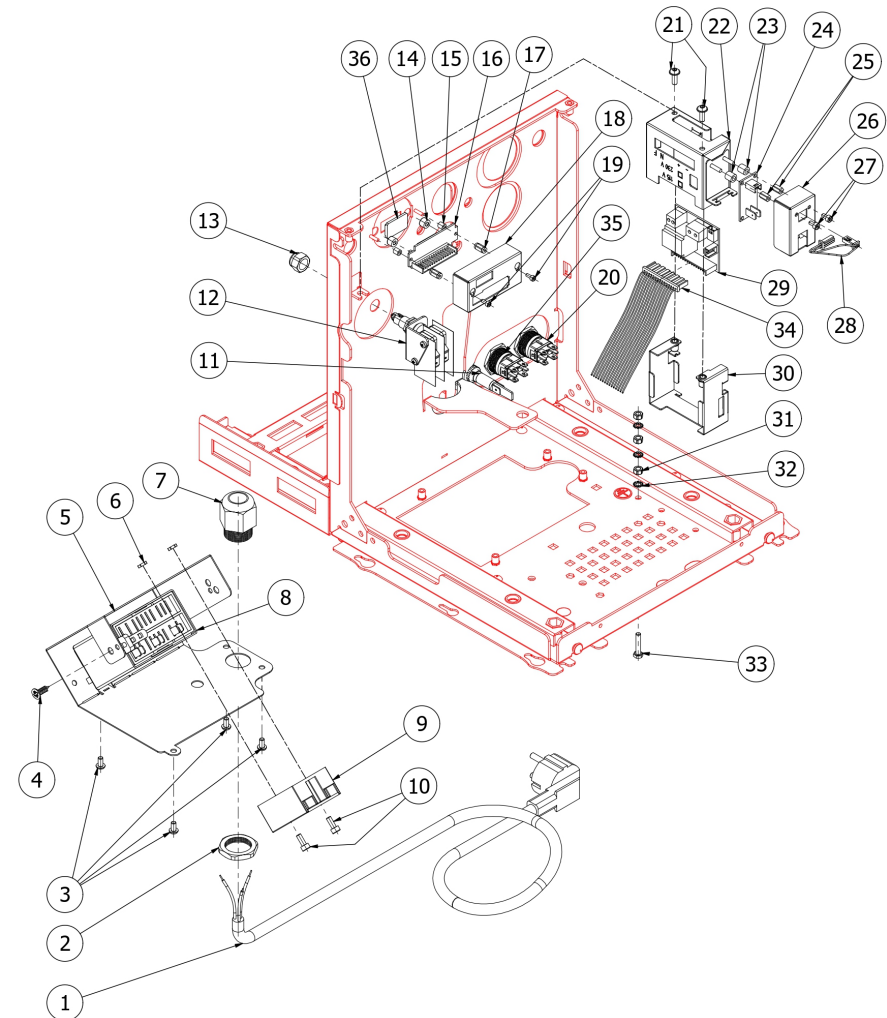
TABLE 6A  
SOLE FAST HEATING

TABLE 6A  
SOLE FAST HEATING

POS	CODE	DESCRIPTION
24	7665545	OPTO TIMER BOARD (PR)
25	7639915	PLASTIC SPACER M3X8
26	5053061LW	COVER OPTO TIMER (PR)
27	7816016	SCREW TCEI M3X6
28	7663641	CONNECTION CABLE CARD
29	7434026.03	TERMOSTAT TPID 110V WITHOUT DISPLAY
29	7434027.03	THERMOSTAT TPID 230/240V S/DISP
30	5058513LL	SUPPORT PID CARD W/COMPASSES
31	7822603	NUT M4 OT
32	7814001	WASHER D4 DIN 6798A A2
33	7826411	SCREW TE M4X20 UNI5739 OT
34	7663640	CABLE 15 VIE FEMALE L.320MM
35	7633357SG	INTERR.ANTIV.230V QN22-L FAST HEAT.
35	7633358SG	INTERR.ANTIV.110V QN22-L FAST HEAT.
36	5370046	PLEXIGLASS H3 TERMOPID FAST HEATING

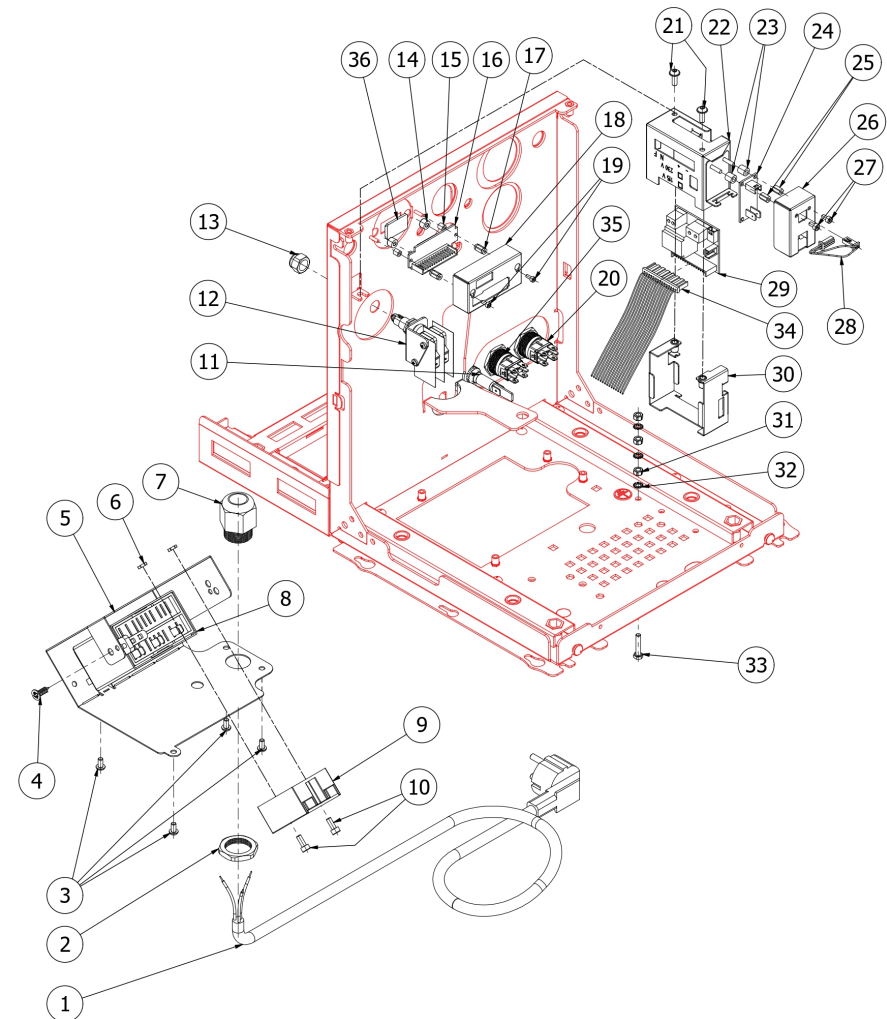
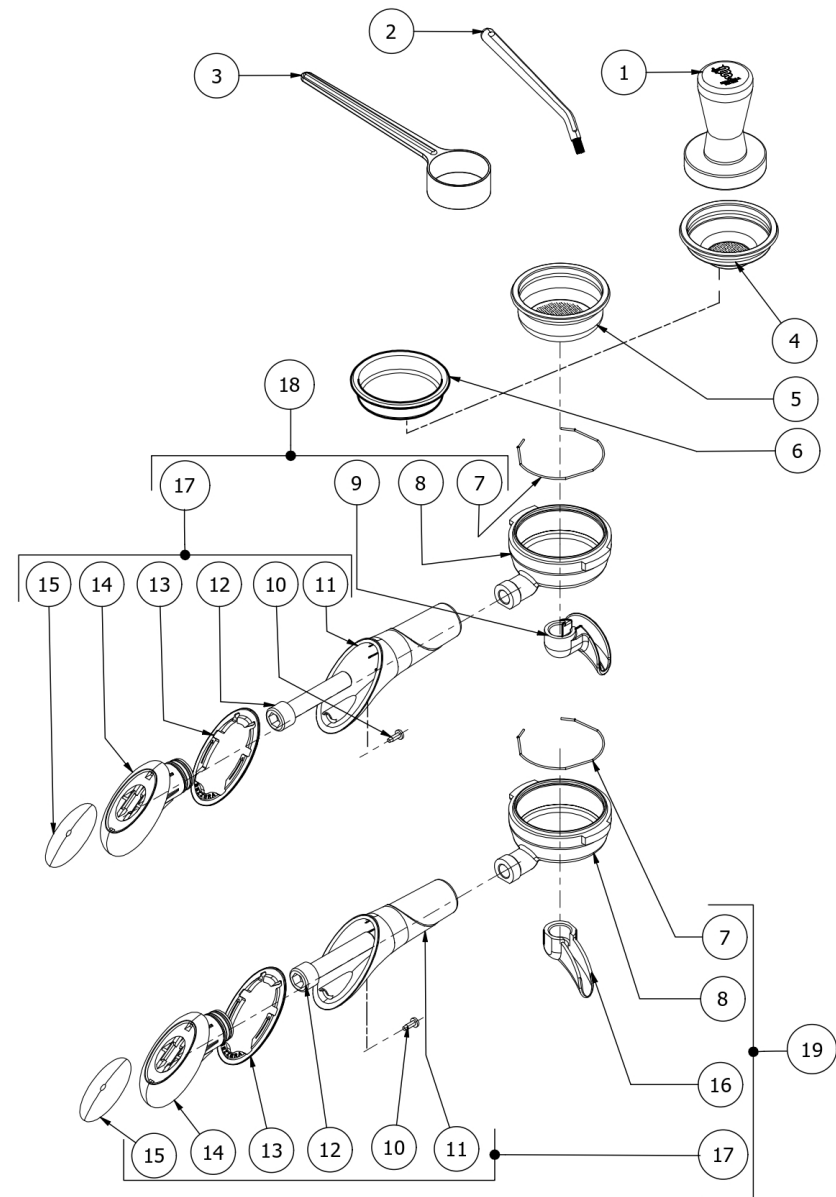
TABLE 6A  
SOLE FAST HEATING

TABLE 7  
SOLE

POS	CODE	DESCRIPTION
1	5963289.01AN	COFFEE TAMPER WITH BLACK KNOB
2	7990603	CLEANING BRUSH FOR COFFEE MACHINE
3	5372101	BLACK MEASURE
4	5471031.01	FILTER 1 CUP 10 GRAMS
5	5471035	FILTER 2 CUPS 20 GRAMS
6	5471038	BLIND FILTER AISI304
7	5471527	FILTER-HOLDER SPRING D1.2 AISI 302
8	7479972.01TW	RETRO FILTER-HOLDER ONLY HANDLE
9	7305007TW	SPOUT 2 WAYS WITHOUT PB+PWP
10	7809810	SCREW PLAS FIX 45 TC POZI D.3,5X10
11	5371203	HANDLE
12	7816026	SCREW TCEI M12X60
13	7493021	GASKET FOR LOGO HANDLE
14	5371204.01	CHROMED PLUG
15	5371205.01	BEZZERA VINTAGE LOGO LABEL
16	7305006TW	SPOUT 1 WAY S/PB+PWP
17	5978508.03	ASSY BLACK HANDLE W/LOGO VINTAGE
18	5965590.03R	ASSY FILTER-HOLDER E61 GROUP 2CUPS W/LOGO
19	5965588.03R	ASSY FILTER-HOLDER E61 GROUP 1CUP W/LOGO

TABLE 7  
SOLE





G.BEZZERA S.R.L.  
MACCHINE PER CAFFE' ESPRESSO  
Via Luigi Bezzera,1  
20088 Rosate - Milano - Italy  
Tel. +39 02 90848102 r.a.  
Web: [www.bezzera.com](http://www.bezzera.com)  
e-mail: [admin@bezzera.it](mailto:admin@bezzera.it)