



NINI

COD. 9942086

REV. 02 ed.06/26



BEZZERA

NINI

TABLE 1
NINI

POS	CODE	DESCRIPTION
1	5074696LW	NINI CUP WARMER GRID WITHOUT PROFILE
2	5056367	NINI CUP WARMER
3	7809817	SCREW M4X12
4	5522523	BEZZERA LABEL+LOGO BLACK
5	5071743LLR	NINI BACKSIDE STAINLESS STEEL W/COMPASSES W/BEZZERA LABEL BLACK
6	7809912DL	TC SCREW M8X12 AISI304 POLISHED.
7	5071742LL	NINI LEFT/RIGHT SIDE STAINLESS STEEL W/COMPASSES
7	5011730LL-YV	NINI LEFT/RIGHT SIDE GREEN BLACK W/COMPASSES
7	5011730LL-YI	NINI LEFT/RIGHT SIDE MATT WHITE W/COMPASSES
7	5011730LL-VN	NINI LEFT/RIGHT SIDE MATT BLACK W/COMPASSES
8	7822603	NUT M4 OT
9	7814001	WASHER D4 DIN 6798A A2
10	7826411	SCREW TE M4X20 UNI5739 OT
11	5059011	NINI REAR FOOT THICKNESS
12	7474224	FOOT M10 D.40X30
13	5964809	ASSY FRAME NINI DE/PM
14	5373102.01	HEATING ELEMENT PROTECTION
15	7816004	SCREW TCEI M4X16 A2
16	5521576	NINI BLACK STICKER 29X15
17	5521562	BEZZERA LOGO LABEL 50X37 BLACK
18	5074938LLR	FRONTAL GROUP NINI DE W/TPID W/COMPASSES W/LABEL
19	7496107	OR GASKET D8X2 NBR70
20	5225322	PUSH-FIT WASTE CONNECTOR
21	7304562TR	SWIVEL ELBOW FITTING F3/8
22	5492022	GASKET D25 X 17 X 2 ASBESTOS FREE
23	5340557ST	ASSY DRIP TRAY NINI
24	5225230NC	FITTING 3/8" G NICKEL
25	5221844	NUT 1/8
26	5225320	PUSH-FIT BLIND CONNECTOR
27	5340557LL	ASSY TRAY NINI

BEZZERA

NINI

TABLE 1
NINI

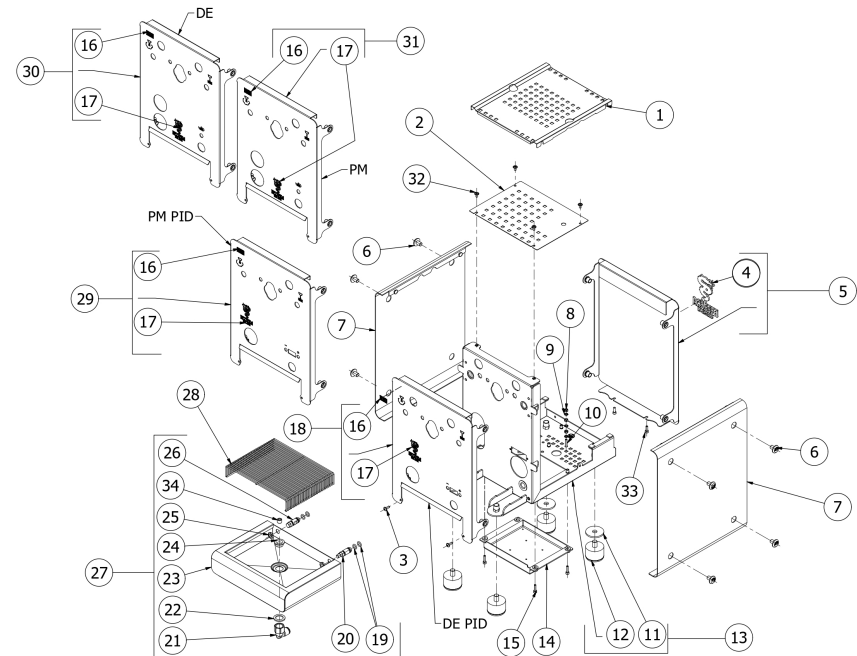


TABLE 1
NINI

POS	CODE	DESCRIPTION
28	5261022	WIRE DISCHARGE GRID NINI
29	5074939LLR	FRONTAL GROUP NINI PM W/TPID W/COMPASSES W/LABEL
30	5074942LLR	FRONTAL GROUP NINI DE W/COMPASSES W/LABEL
31	5074941LLR	FRONTAL GROUP NINI PM W/COMPASSES W/LABEL
32	7809814	SCREW TBEI M4X8
33	7816002	SCREW TCEI M4X12 UNI 5931 A2
34	7823001TP	HEADLESS SCREW 1/8"

TABLE 1
NINI

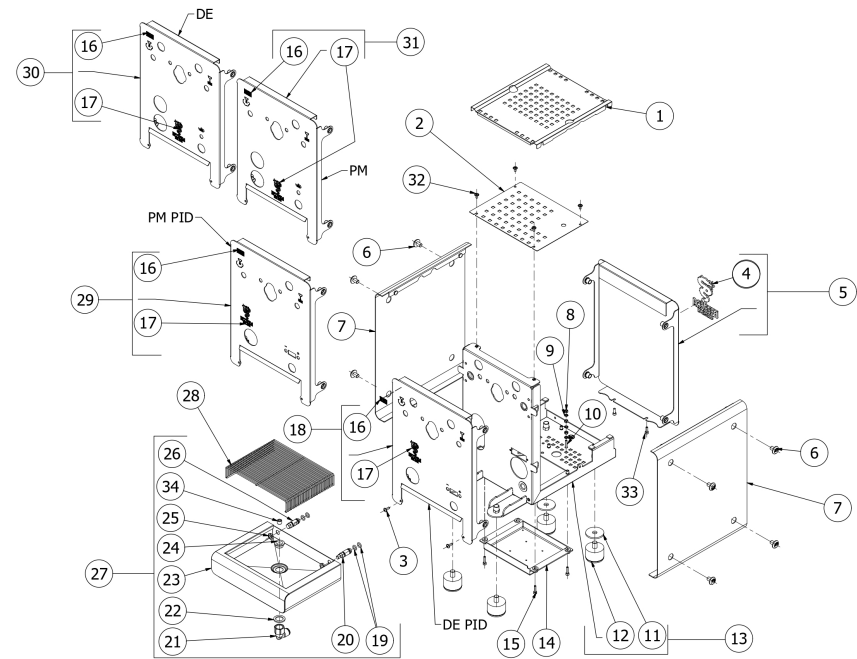


TABLE 2
NINI Mod. DE - DE PID

POS	CODE	DESCRIPTION
1	5963397	ASSY TANK W/FITTING
2	7374002	FILTER 1/4
3	7496076	GASKET OR 112 EP856 80SH
4	5058713LL	TANK SUPPORT NINI W/COMPASSES
5	7474212	ADHESIVE FEET
6	5375304	PLASTIC NUT
7	7816002	SCREW TCEI M4X12 UNI 5931 A2
8	5191510	SPACER
9	7666011	TANK SENSOR
10	7812402	NUT M3 UNI7473 A2 SELF-LOCKING INOX
11	5375300	PIPE FOR TANK W/RUBBER-HOLDER
12	7611516	CLAMP 10086
13	5194529	CRISTAL HOSE D6 X 9 L=150MM
14	7303039	FITTING
15	5194726	SILICONE TUBE 8X5X160
16	5194695	SILICONE TUBE 8X5X330
17	5194699	SILICON PIPE 8X5X120
18	5221833	NUT M18 ES.26 H5 OT
19	5225321	FIXED PUSH-FIT WASTE CONNECTOR
20	7474221	SQUARE FOOT
21	7432523.02	PRESSURE GAUGE D40 16BAR TRICOLOUR
22	7400903	BOILER PRESSURE GAUGE CAPILLARY
23	5225319	FIXED BLIND PUSH-FIT WASTE CONNECTOR
24	7470602	VIBRATION-DAMPING
25	7303006	RUBBER-HOLDER FITTING
26	5194733	CRYSTAL TUBE 9x6 L=200
27	7634816	THERMIC SAFETY DEV.AUT.PUMP 100°
28	7731027.01	VIBRATION PUMP PLUS 240V 50HZ OT57
28	7731024.01	VIBRATION PUMP PLUS 120V 60HZ OT57
28	7731023.01	VIBRATION PUMP OL PLUS 230V 50HZ OT

TABLE 2
NINI Mod. DE - DE PID

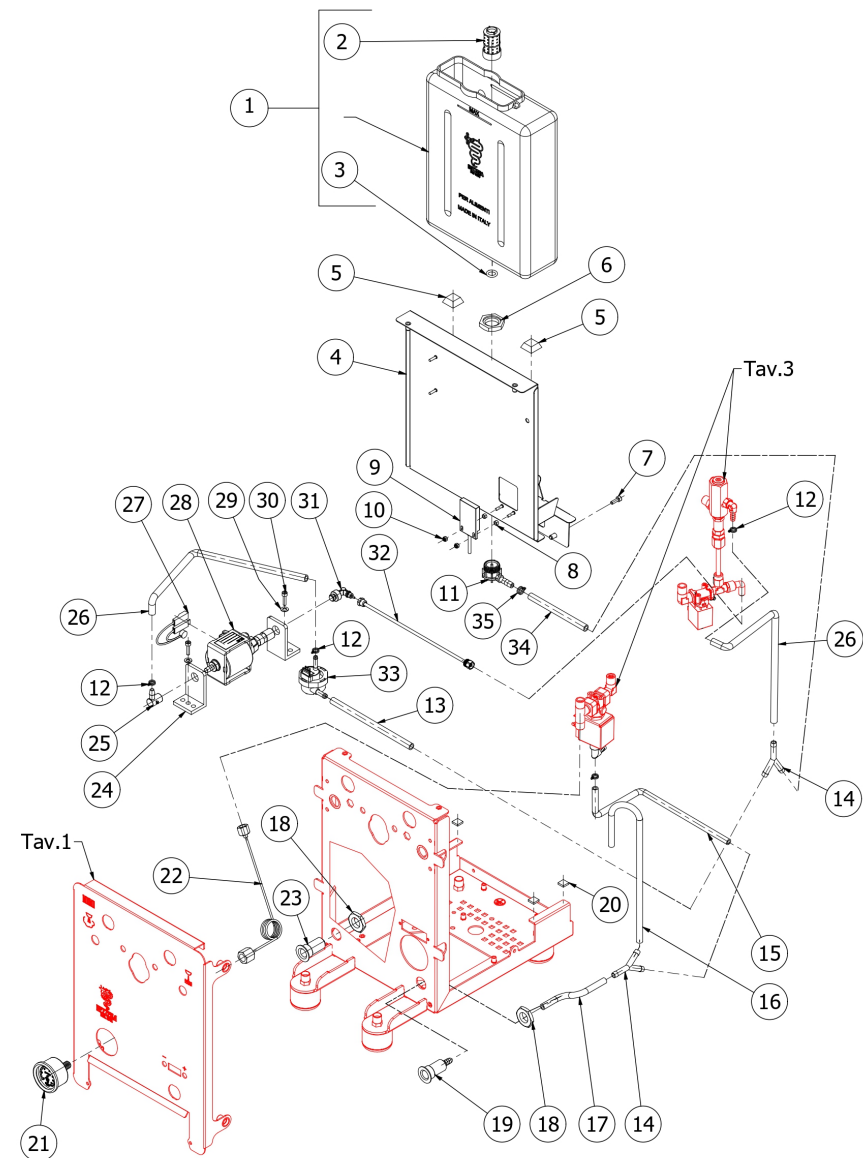


TABLE 2
NINI Mod. DE - DE PID

POS	CODE	DESCRIPTION
29	7815003	PLAIN WASHER D5 UNI 6592 A2
30	7816004	SCREW TCEI M4X16 A2
31	7303056	FITTING M 1/8
32	5194734LL	ASSY TUBE PTFE 4X200
33	7431002	FLOW METER LOW PRESSURE
34	5194735	CRYSTAL TUBEL D9X6 L=105
35	7611512	CLAMP

TABLE 2
NINI Mod. DE - DE PID

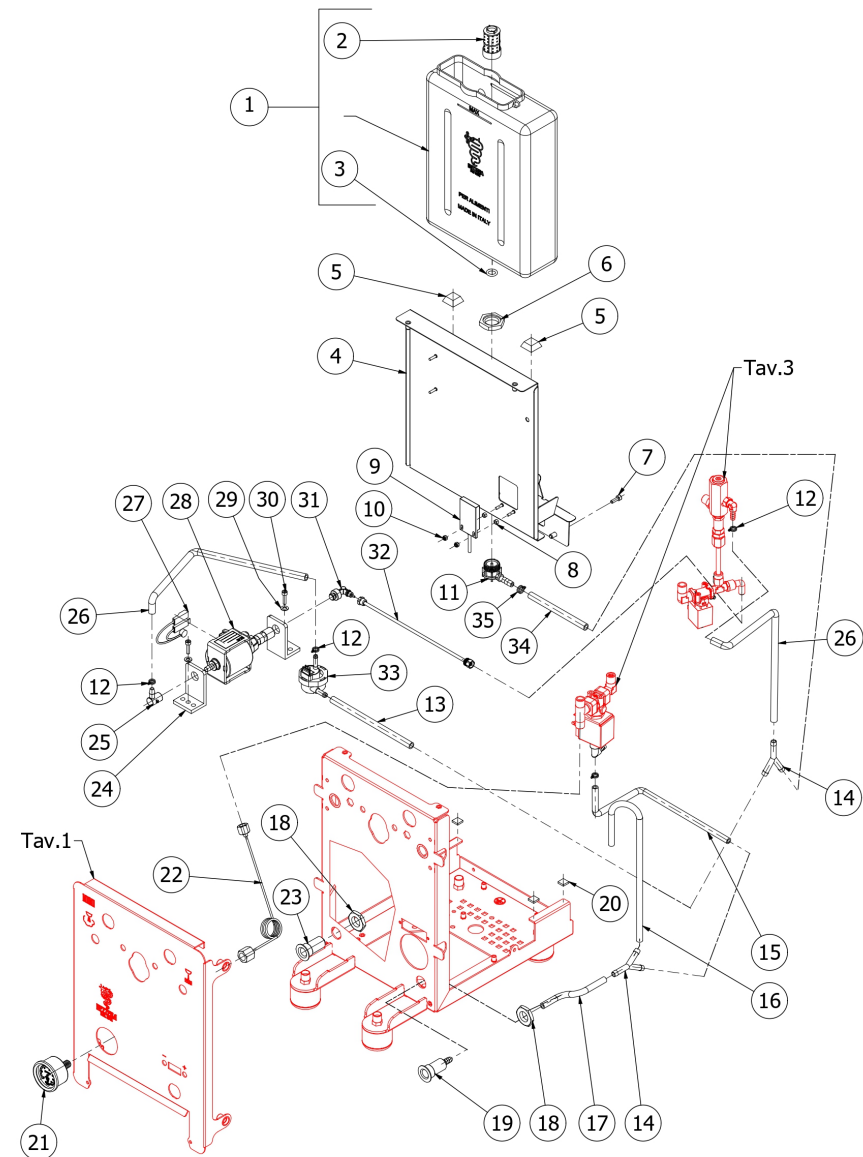


TABLE 2A
NINI Mod. PM - PM PID

POS	CODE	DESCRIPTION
1	5963397	ASSY TANK W/FITTING
2	7374002	FILTER 1/4
3	7496076	GASKET OR 112 EP856 80SH
4	5058713LL	TANK SUPPORT NINI W/COMPASSES
5	7474212	ADHESIVE FEET
6	5375304	PLASTIC NUT
7	7816002	SCREW TCEI M4X12 UNI 5931 A2
8	5191510	SPACER
9	7666011	TANK SENSOR
10	7812402	NUT M3 UNI7473 A2 SELF-LOCKING INOX
11	5375300	PIPE FOR TANK W/RUBBER-HOLDER
12	7611516	CLAMP 10086
13	5194736	CRYSTAL TUBEL D9X6 L=170
14	7303039	FITTING
15	5194726	SILICONE TUBE 8X5X160
16	5194695	SILICONE TUBE 8X5X330
17	5194699	SILICON PIPE 8X5X120
18	5221833	NUT M18 ES.26 H5 OT
19	5225321	FIXED PUSH-FIT WASTE CONNECTOR
20	7474221	SQUARE FOOT
21	7432523.02	PRESSURE GAUGE D40 16BAR TRICOLOUR
22	7400903	BOILER PRESSURE GAUGE CAPILLARY
23	5225319	FIXED BLIND PUSH-FIT WASTE CONNECTOR
24	7470602	VIBRATION-DAMPING
25	7303006	RUBBER-HOLDER FITTING
26	5194735	CRYSTAL TUBE 9x6 L=105
27	7634816	THERMIC SAFETY DEV.AUT.PUMP 100°
28	7731023.01	VIBRATION PUMP OL PLUS 230V 50HZ OT
28	7731024.01	VIBRATION PUMP PLUS 120V 60HZ OT57
28	7731027.01	VIBRATION PUMP PLUS 240V 50HZ OT57

TABLE 2A
NINI Mod. PM - PM PID

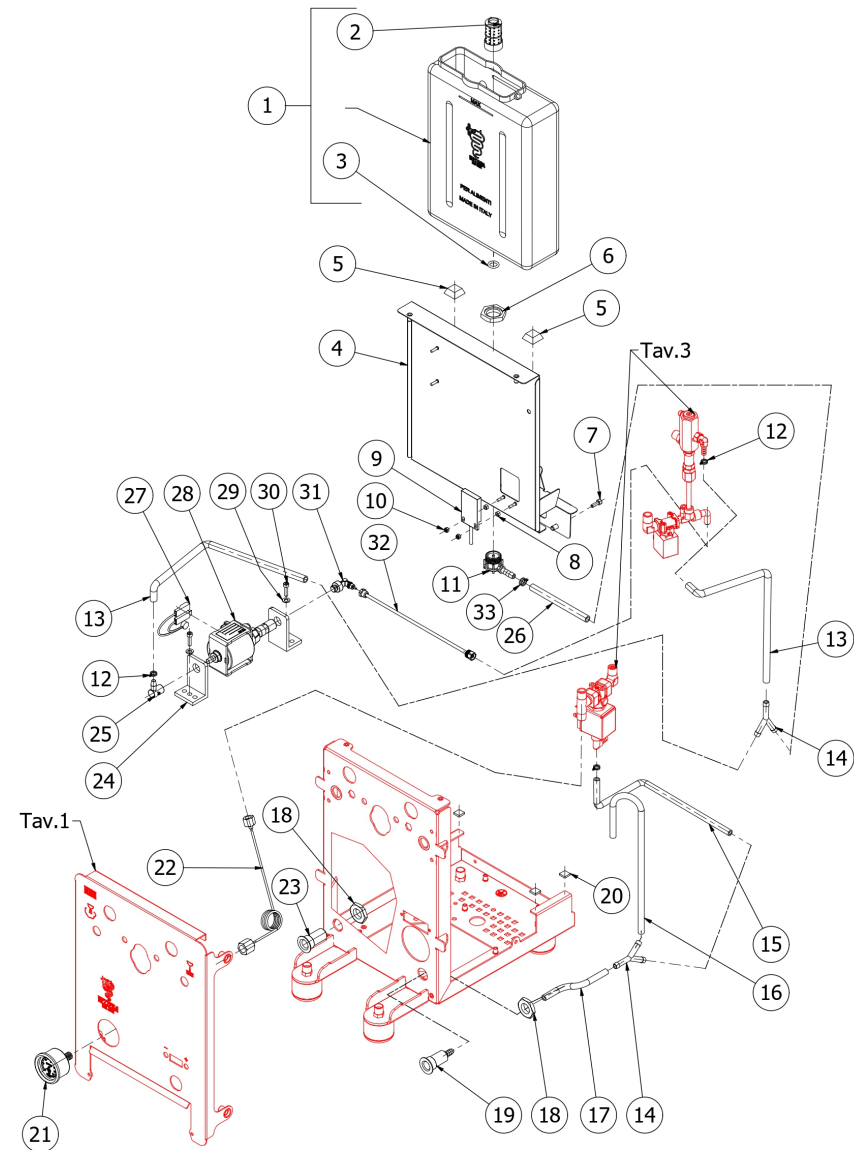


TABLE 2A
NINI Mod. PM - PM PID

POS	CODE	DESCRIPTION
29	7815003	PLAIN WASHER D5 UNI 6592 A2
30	7816004	SCREW TCEI M4X16 A2
31	7303056	FITTING M 1/8
32	5194734LL	ASSY TUBE PTFE 4X200
33	7611512	CLAMP

TABLE 2A
NINI Mod. PM - PM PID

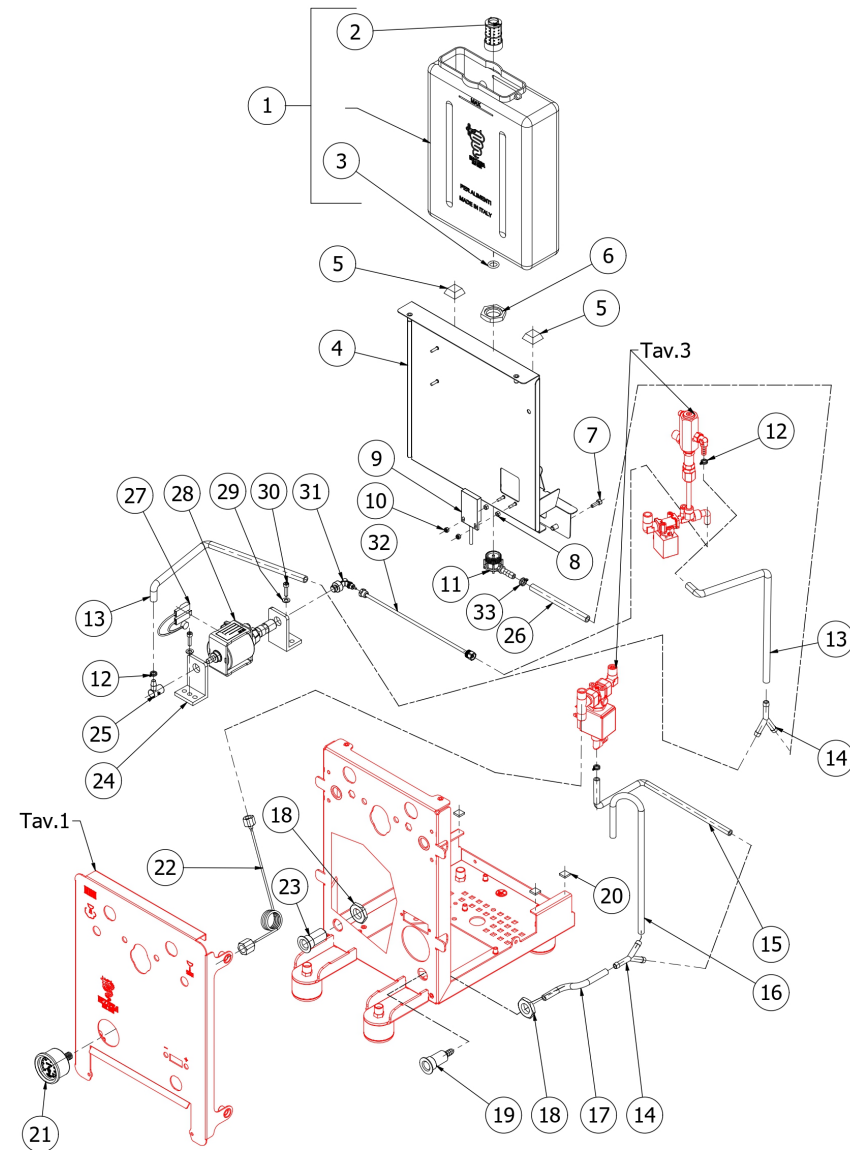


TABLE 3 - (up to 30/06/2026)
NINI

POS	CODE	DESCRIPTION
1	5162582LL	VALVE TUBE AST-EXCHANGER NINI
2	5968531R	ASSY SUPPRESSION VALVE NINI
3	5302006AL	FITTING M12X1/8
4	7304560TR	NOT RETURNING VALVE 14BAR 1/8"
5	5370315TR	RUBBER-HOLDER FITTING 1/8 CONICAL
6	7816017	SCREW TCEI M4X6
7	5057012	WASHER 4X9X0.7 AISI304 2B
8	5493021	PLUG GASKET OF VALVE SILICONE
9	5471550	SUPPRESSION VALVE SPRING
10	7496052	OR GASKET 114 VITON
11	5302094AL	SUPPRESSION VALVE RUBBER-HOLDER
12	5162585LL	EV. TUBE L/A-VALVE AST NINI
13	5162581LL	NINI BOILER LOAD PIPE
14	5965424OL	ASSY EV.L/A 110V NINI
14	5965422OL	ASSY EV.L/A 240V NINI
14	5965407OL	ASSY EV.L/A 230V NINI
15	5301504AL	ELBOW FITTING M12X1/8
16	7702415.01	EV.2 WAY 240V 25BAR SMALL COIL
16	7701123.01	EV.2 WAY 110V 25BAR SMALL COIL
16	7702322.01	EV.2WAY OLAB 220/230V 25BAR SMALL
17	7304514TR	CONNECTOR TEE BRASS LEAD FREE
18	5221844	NUT 1/8
19	7303063TR	ELBOW FITTING BODY 1/8"
20	5965423ED	EV ASSY NINI GROUP 110/120V POWER SUPPLY
20	5965421ED	EV ASSY NINI GROUP 230/240V POWER SUPPLY
21	5370314	TRAY RUBBER-HOLDER EV HOBBY GROUP
22	5300513TR	UNION
23	7702418R	SOLENOID VALVE 3 WAYS ODE 230/240V
23	7702419R	SOLENOID VALVE 3 WAYS ODE 110/120V
24	5223005TP	JET M6 X 6 HOLE D1.2 OT

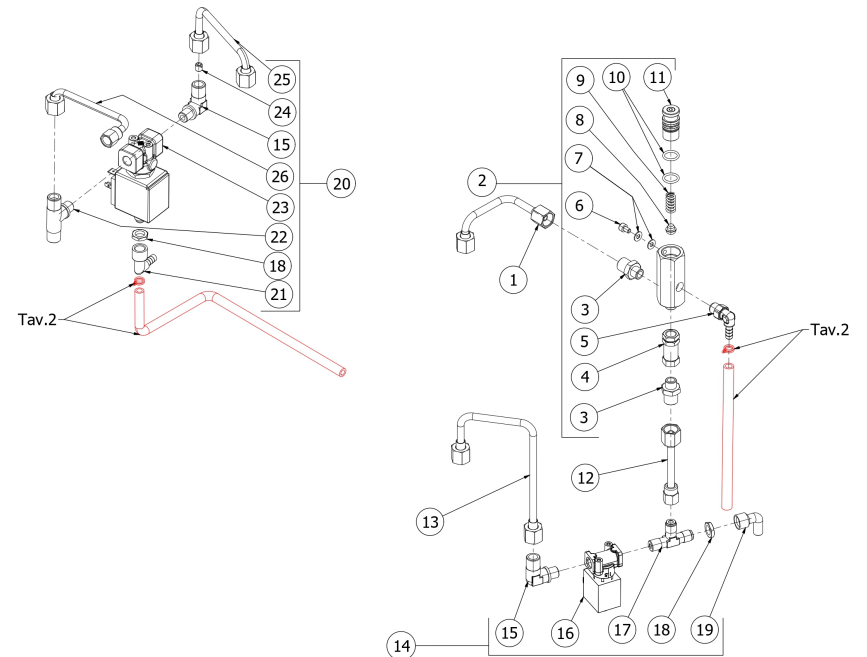
TABLE 3 - (up to 30/06/2026)
NINI

TABLE 3 - (up to 30/06/2026)
NINI

POS	CODE	DESCRIPTION
25	5162583LL	EXCHANGE PIPE/EV NINI GROUP
26	5162584LL	EV.GROUP TUBE - NINI GROUP

TABLE 3 - (up to 30/06/2026)
NINI

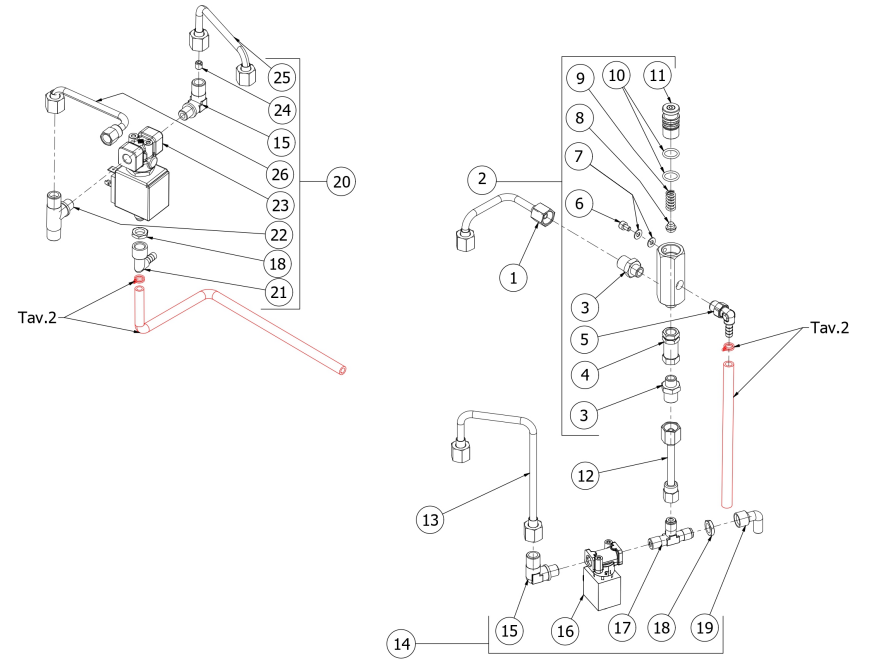


TABLE 3 - (from 01/07/2026)
NINI

POS	CODE	DESCRIPTION
1	5162582LL	VALVE TUBE AST-EXCHANGER NINI
2	5968531.01R	ASSY SUPRESSION VALVE NINI
3	5302006AL	FITTING M12X1/8
4	7304560TR	NOT RETURNING VALVE 14BAR 1/8'
5	5370315TR	RUBBER-HOLDER FITTING 1/8 CONICAL
6	7816017	SCREW TCEI M4X6
7	5057012	WASHER 4X9X0.7 AISI304 2B
8	5493062	PLUG GASKET OF VALVE SILICONE
9	5471550	SUPRESSION VALVE SPRING
10	7496052	OR GASKET 114 VITON
11	5302094AL	SUPRESSION VALVE RUBBER-HOLDER
12	5162585LL	EV. TUBE L/A-VALVE AST NINI
13	5162581LL	NINI BOILER LOAD PIPE
14	5965424OL	ASSY EV.L/A 110V NINI
14	5965422OL	ASSY EV.L/A 240V NINI
14	5965407OL	ASSY EV.L/A 230V NINI
15	5301504AL	ELBOW FITTING M12X1/8
16	7702415.01	EV.2 WAY 240V 25BAR SMALL COIL
16	7701123.01	EV.2 WAY 110V 25BAR SMALL COIL
16	7702322.01	EV.2WAY OLAB 220/230V 25BAR SMALL
17	7304514TR	CONNECTOR TEE BRASS LEAD FREE
18	5221844	NUT 1/8
19	7303063TR	ELBOW FITTING BODY 1/8"
20	5965421ED	EV ASSY NINI GROUP 230/240V POWER SUPPLY
20	5965423ED	EV ASSY NINI GROUP 110/120V POWER SUPPLY
21	5370314	TRAY RUBBER-HOLDER EV HOBBY GROUP
22	5300513TR	UNION
23	7702419R	SOLENOID VALVE 3 WAYS ODE 110/120V
23	7702418R	SOLENOID VALVE 3 WAYS ODE 230/240V
24	5223005TP	JET M6 X 6 HOLE D1.2 OT

TABLE 3 - (from 01/07/2026)
NINI

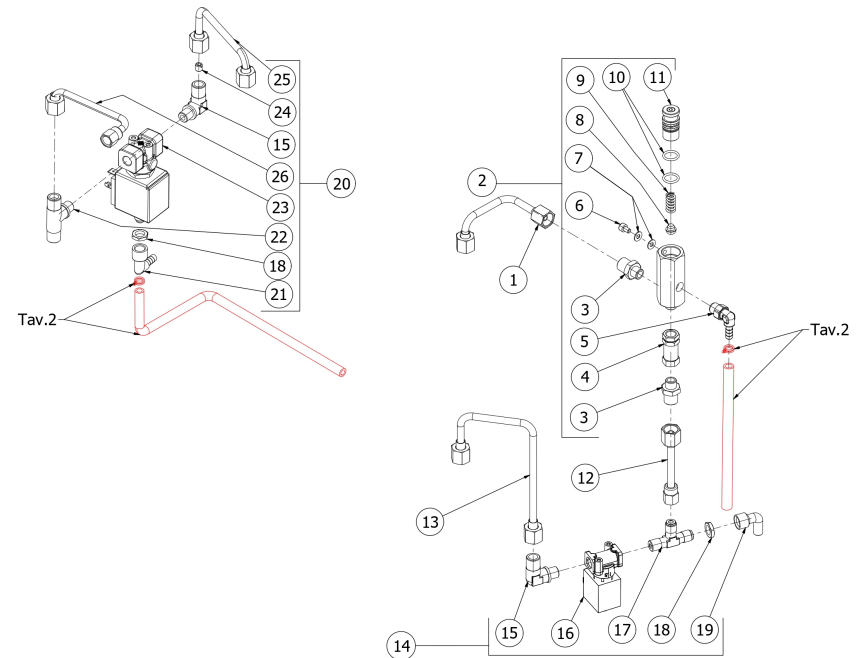


TABLE 3 - (from 01/07/2026)

NINI

POS	CODE	DESCRIPTION
25	5162583LL	EXCHANGE PIPE/EV NINI GROUP
26	5162584LL	EV.GROUP TUBE - NINI GROUP

TABLE 3 - (from 01/07/2026)

NINI

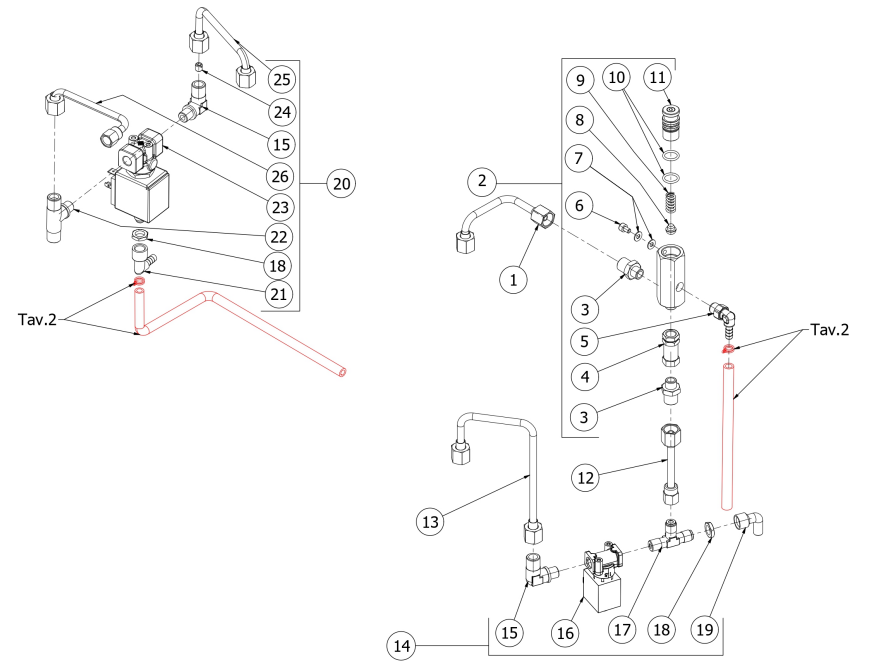


TABLE 4
NINI Mod. DE - PM

POS	CODE	DESCRIPTION
1	7432522.02	PRESSURE GAUGE D40 3BAR TRICOLOUR
2	7400912	SERVICE BOILER CAPILLARY
3	7303001TR	UNION ELBOW 1/8
5	5963410	PRESSURE SWITCH ASSY
6	7433013	PRESSOSTAT XP/100 1/4
7	5492028	GASKET D10.5X4X3
8	5162586LL	PRESSOSTAT PIPE
9	5192324	DRAW OUT D6X1 L=100 PTFE
10	5302006AL	FITTING M12X1/8
11	5963186	ASSY INJECTOR 150MM 8HOLES W/
12	5329019DC-AL	EXCHANGER 2 HOLES L=140 BZ-STREGA
13	5492025	GASKET D42X32X2 PTFE
14	7452509.02	SAFETY VALVE 3/8
16	7452511.02	VALVE ANTIDEPRESSION W/RUBBER-
18	5162579LL	NINI WATER PIPE
19	5192301	SUCTION D6X1 L=130MM PTFE
21	7496040	OR GASKET D73 X 3 VITON
22	5722263AL	HEATING ELEMENT 120V-1200W
22	5722261.01AL	HEATING ELEMENT 220/240V-1100/1300W
23	7663573.01	RESISTANCE CONNECTION CABLE
24	7814001	WASHER D4 DIN 6798A A2
25	7816409	SCREW TE M4X8 UNI 5739 A2
26	5058709LL	BOILER SUPPORT WITH COMPASSES
27	7809817	SCREW M4X12
28	7816422	SCREW TE M6X14 UNI 5739 OT
29	5221835	CAP NUT 1/8
30	5492019	GASKET D8 X 2 ASBESTOS FREE
31	7451506	MINI VALVE MINI BALL 1/4-1/8
32	7822603	NUT M4 OT
33	7634819.01	THERMIC PROTECTION 250V 130°C

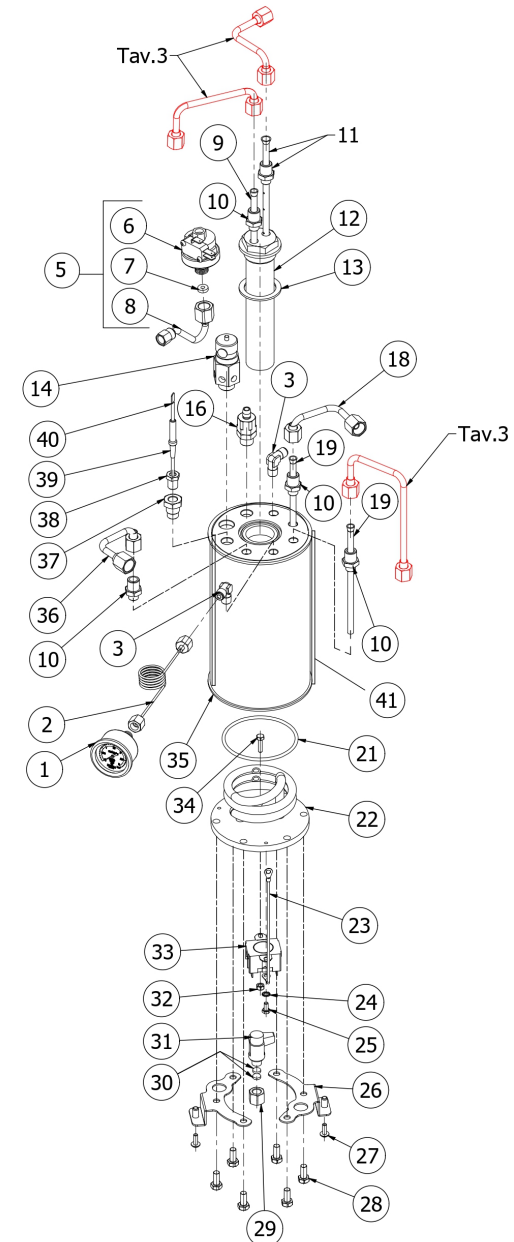
TABLE 4
NINI Mod. DE - PM

TABLE 4
NINI Mod. DE - PM

POS	CODE	DESCRIPTION
34	7826402	SCREW TE M4X16 UNI 5739 OT
35	5320520.01BL-AL	BOILER BZ07 WITHOUT LEAD AND NICKEL
36	5162580LL	NINI STEAM PIPE
37	5225209AL	FITTING M10X1/4
38	5225205	STRAIGHT FITTING M10 OT
39	5192001	PROBE SHEATH D8 X 45 HOLE D3 PTFE
40	5265804	LEVEL PROBE D3 X 110 X 6.3
41	9991028	BOILER COVER

TABLE 4
NINI Mod. DE - PM

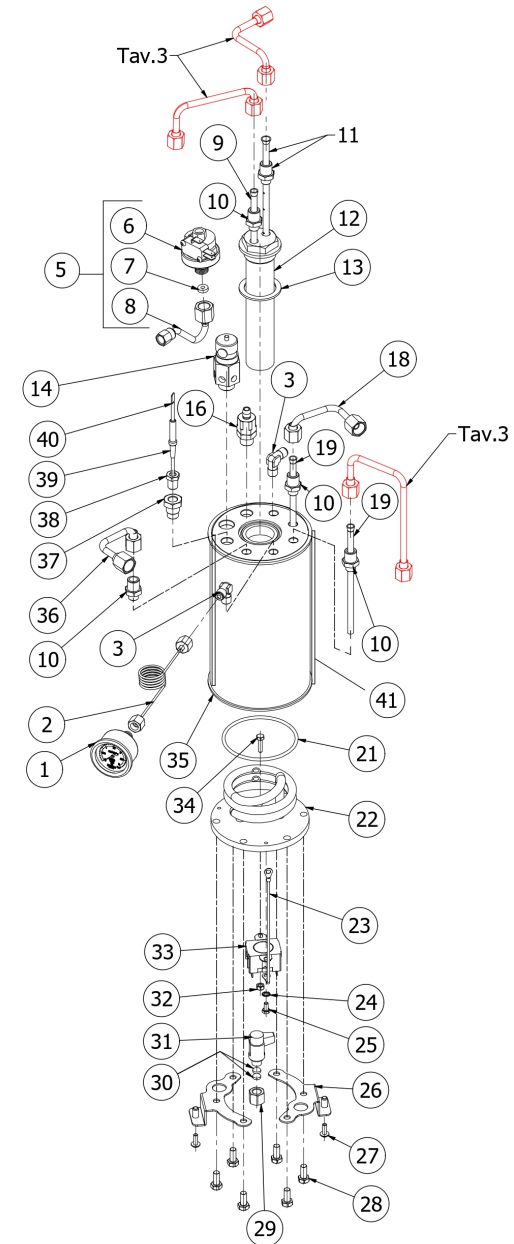


TABLE 4A

NINI Mod. DE PID - PM PID

POS	CODE	DESCRIPTION
9	5192324	DRAW OUT D6X1 L=100 PTFE
10	5302006AL	FITTING M12X1/8
11	5963186	ASSY INJECTOR 150MM 8HOLES W/
12	5329019DC-AL	EXCHANGER 2 HOLES L=140 BZ-STREGA
13	5492025	GASKET D42X32X2 PTFE
14	7452509.02	SAFETY VALVE 3/8
15	7666008	PROBE X THERMOPID AISI316 D3
16	7452511.02	VALVE ANTIDEPRESSION W/RUBBER-
17	5302062	REDUCTION GEAR 1/4
18	5162579LL	NINI WATER PIPE
19	5192301	SUCTION D6X1 L=130MM PTFE
20	5226411TP	PLUG 1/8
21	7496040	OR GASKET D73 X 3 VITON
22	5722263AL	HEATING ELEMENT 120V-1200W
22	5722261.01AL	HEATING ELEMENT 220/240V-1100/1300W
23	7663573.01	RESISTANCE CONNECTION CABLE
24	7814001	WASHER D4 DIN 6798A A2
25	7816409	SCREW TE M4X8 UNI 5739 A2
26	5058709LL	BOILER SUPPORT WITH COMPASSES
27	7809817	SCREW M4X12
28	7816422	SCREW TE M6X14 UNI 5739 OT
29	5221835	CAP NUT 1/8
30	5492019	GASKET D8 X 2 ASBESTOS FREE
31	7451506	MINI VALVE MINI BALL 1/4-1/8
32	7822603	NUT M4 OT
33	7634819.01	THERMIC PROTECTION 250V 130°C
34	7826402	SCREW TE M4X16 UNI 5739 OT
35	5320520.01BL-AL	BOILER BZ07 WITHOUT LEAD AND NICKEL
36	5162580LL	NINI STEAM PIPE
37	5225209AL	FITTING M10X1/4

TABLE 4A

NINI Mod. DE PID - PM PID

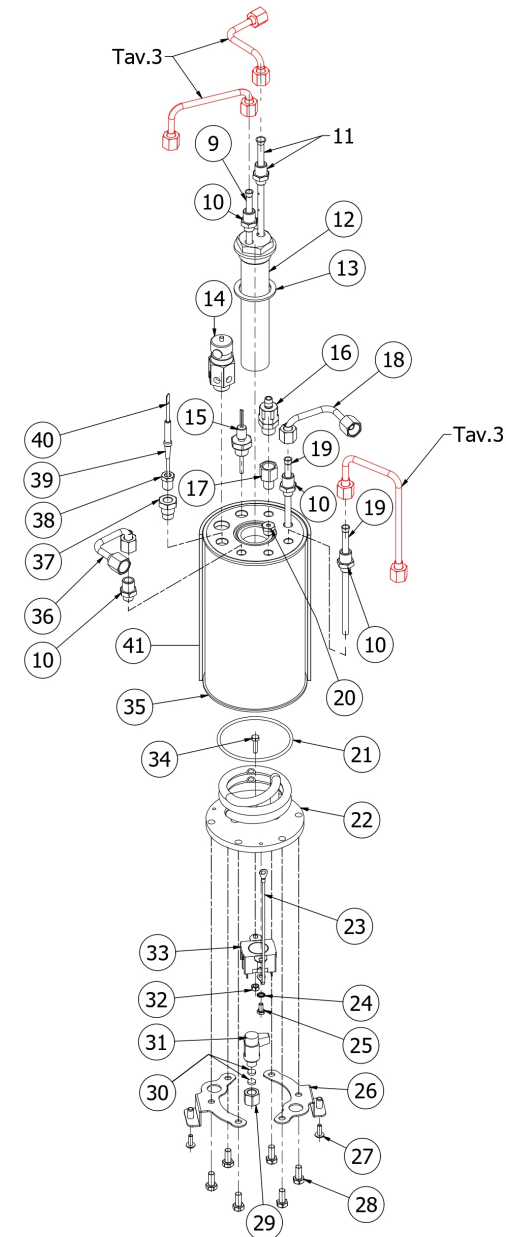


TABLE 4A
NINI Mod. DE PID - PM PID

POS	CODE	DESCRIPTION
38	5225205	STRAIGHT FITTING M10 OT
39	5192001	PROBE SHEATH D8 X 45 HOLE D3 PTFE
40	5265804	LEVEL PROBE D3 X 110 X 6.3
41	9991028	BOILER COVER

TABLE 4A
NINI Mod. DE PID - PM PID

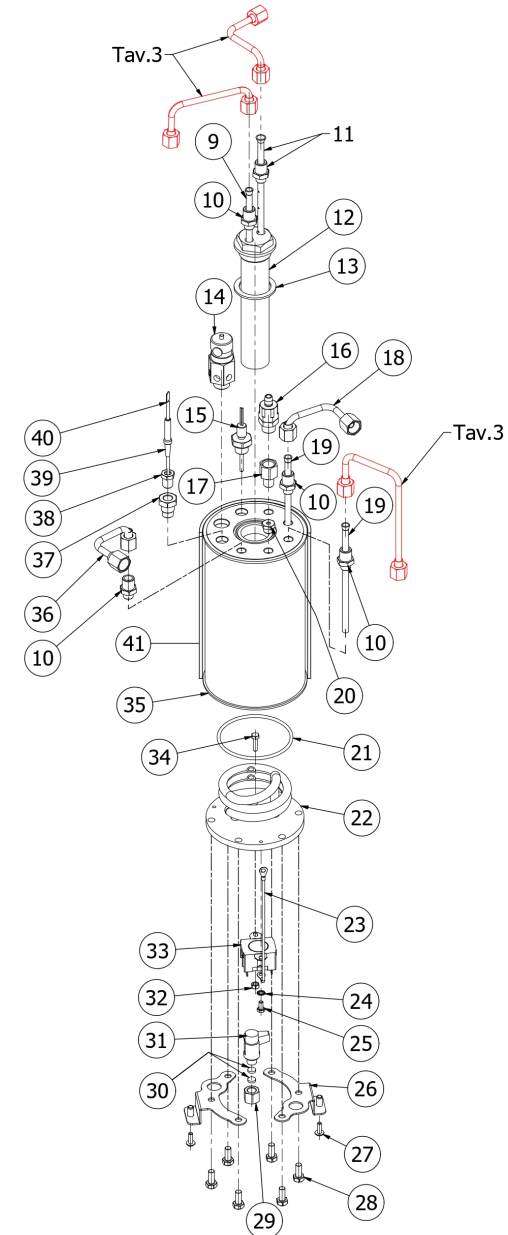


TABLE 5 - (up to 31/07/2026)
NINI

POS	CODE	DESCRIPTION
1	7816014	SCREW M8X20 UNI5931 A2
2	5162584LL	EV.GROUP TUBE - NINI GROUP
3	5225416.01AL	FITTING M14XM13 ES19 H31 WITHOUT OR
4	7814201	WASHER 14 DIN6798J A2
5	5964085.02AL	BZ07 TAP COMPLETE WITHOUT HOOKING
6	7496052	OR GASKET 114 VITON
7	5471532.01	SPRING FOR ARTICULATION
8	5190501	CUP FOR FITTING PTFE/GLASS
9	5226601TW	WATER HOSE TERMINAL
10	5966568	WATER TUBE LINEAR SPHERE 14,3
11	7493013	GASKET BZ07 GROUP
12	5221863CM	CAP NUT M8 ES.14 H17 OT CHROMED
13	5963742	ASSY GROUP BZ 110-120V FLOW PREDISPOSITION
13	5963741	ASSY GROUP BZ 220-240V FLOW PREDISPOSITION
14	7809903	SCREWS POLIERS M5X16 A4 AISI316
15	5470501	SHOWER D57 AISI 304
16	5285501AL	SHOWER-HOLDER D57 H7.5 OT60LF
17	7493022	COUPLING RING RED GASKET BZ GROUP
18	5280502TW-AL	COUPLING RING DENICROMAL
19	7496004.01	GASKET OR 139 VITON FDA
20	5283070TW-AL	BZ GROUP BODY POLISHED CHROME DRILLED
21	7816001	SCREW TCEI M5X12 UNI 5931 A2
22	7479938	GASKET TF 10X6X1
23	7479939	SCREW TCE M6X8
24	7479953	GASKET TF 22X17X2
25	7479952DL	POLISHED CHROME GROUP TOP CAP
26	5963220.01	ASSY HEATING CARTRIDGE DOUBLE
26	5963182.01	ASSY HEATING ELEMENT CARTRIDGE
27	7304502TR	STRAIGHT FITTING 1/8
28	5963575.06	ASSY BZ GROUP W/NEW OR GASKET 220-

TABLE 5 - (up to 31/07/2026)
NINI

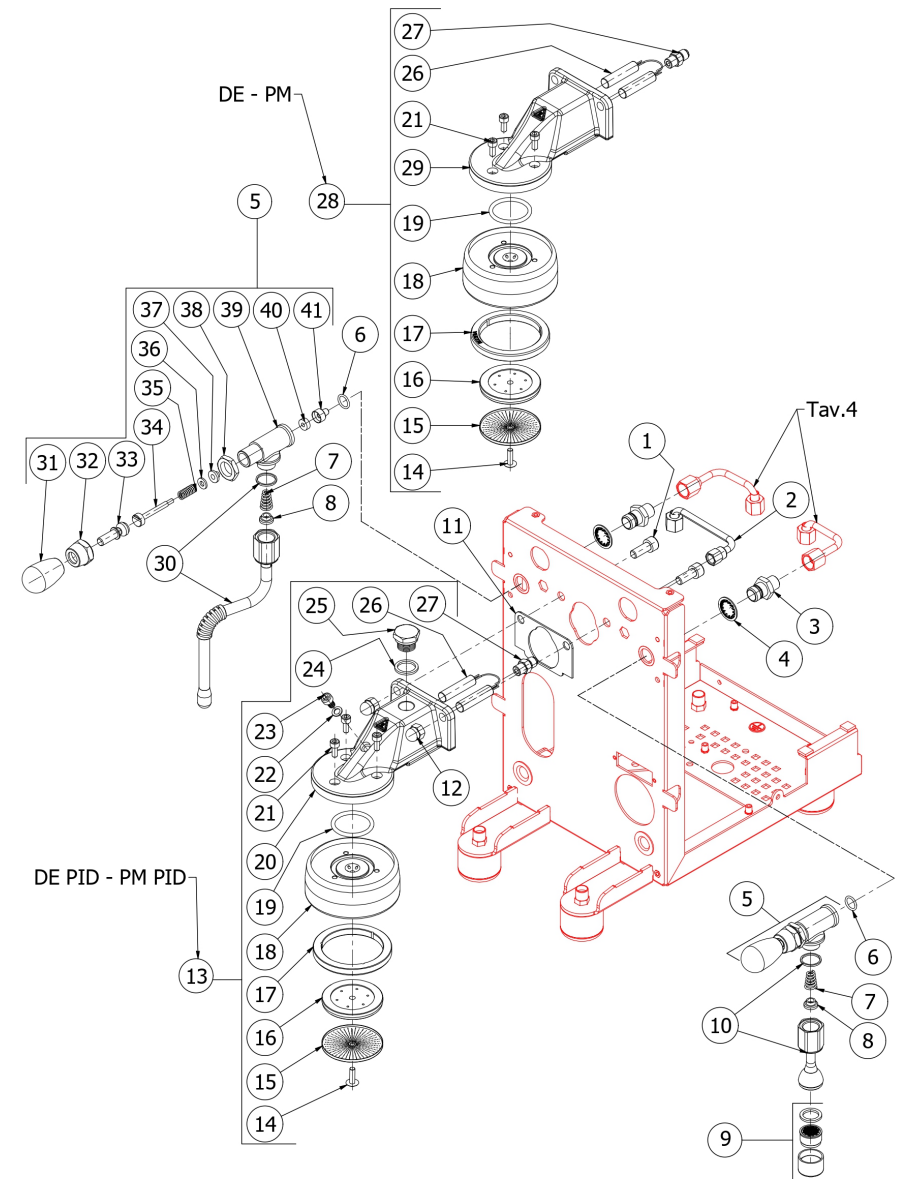


TABLE 5 - (up to 31/07/2026)
NINI

POS	CODE	DESCRIPTION
28	5963583.01	ASSY BZ GROUP 110-120V
29	5283059.02TW-AL	BZ GROUP BODY
30	7479990.03	STEAM TUBE TERMINAL 2 HOLES SPHERE
31	7371511.01	BLACK LEVER KNOB I.622/40-M8
32	5262801.01	FERRULE 3/8"G H17 STAINLESS STEEL
33	5225610	ARTICULATED JOINT M8
34	5260204DL	SHAFT D12X47 AISI303 POLISH
35	5471513	SPRING D8 H17 AISI302
36	5261801	WASHER D11
37	5494004	GASKET D12 X 6 PTFE GRAPHITIZED
38	5221826CM	NUT 3/8
39	5283055TW	TAP BODY OT FOR OR
40	5496042	GASKET D11X4X4 EPT 70
41	5224603AL	GASKET HOLDER D12X12 OT57USA

TABLE 5 - (up to 31/07/2026)
NINI

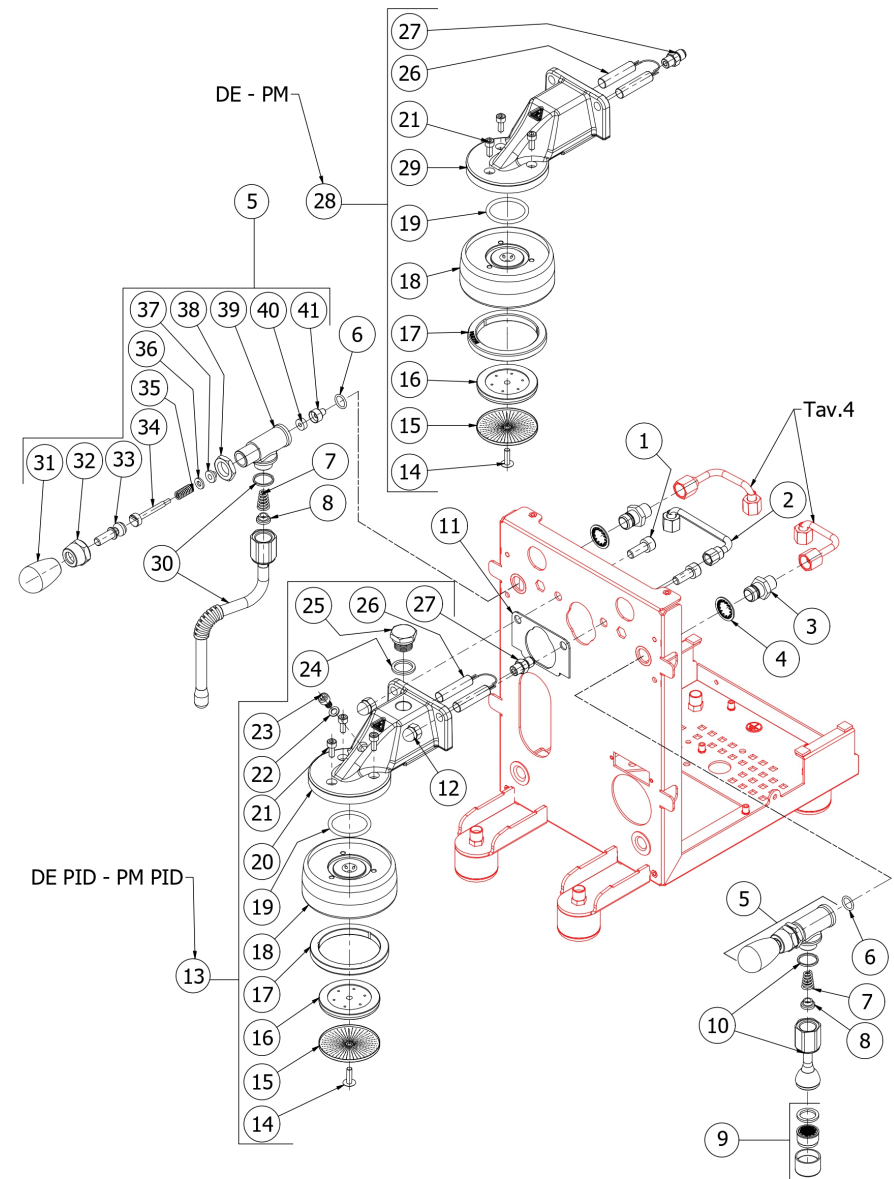


TABLE 5 - (from 01/08/2026)
NINI

POS	CODE	DESCRIPTION
1	7816014	SCREW M8X20 UNI5931 A2
2	5162584LL	EV.GROUP TUBE - NINI GROUP
3	5225416.01AL	FITTING M14XM13 ES19 H31 WITHOUT OR
4	7814201	WASHER 14 DIN6798J A2
5	5964085.02AL	BZ07 TAP COMPLETE WITHOUT HOOKING
6	7496052	OR GASKET 114 VITON
7	5471532.01	SPRING FOR ARTICULATION
8	5190501	CUP FOR FITTING PTFE/GLASS
9	5226601TW	WATER HOSE TERMINAL
10	5966566	WATER TUBE SEMISPHERE 14,3
11	7493013	GASKET BZ07 GROUP
12	5221863CM	CAP NUT M8 ES.14 H17 OT CHROMED
13	5963742	ASSY GROUP BZ 110-120V FLOW PREDISPOSITION
13	5963741	ASSY GROUP BZ 220-240V FLOW PREDISPOSITION
14	7809903	SCREWS POLIERS M5X16 A4 AISI316
15	5470501	SHOWER D57 AISI 304
16	5285501AL	SHOWER-HOLDER D57 H7.5 OT60LF
17	7493022	COUPLING RING RED GASKET BZ GROUP
18	5280502TW-AL	COUPLING RING DENICROMAL
19	7496004.01	GASKET OR 139 VITON FDA
20	5283070TW-AL	BZ GROUP BODY POLISHED CHROME DRILLED
21	7816001	SCREW TCEI M5X12 UNI 5931 A2
22	7479938	GASKET TF 10X6X1
23	7479939	SCREW TCE M6X8
24	7479953	GASKET TF 22X17X2
25	7479952DL	POLISHED CHROME GROUP TOP CAP
26	5963220.01	ASSY HEATING CARTRIDGE DOUBLE
26	5963182.01	ASSY HEATING ELEMENT CARTRIDGE
27	7304502TR	STRAIGHT FITTING 1/8
28	5963583.01	ASSY BZ GROUP 110-120V

TABLE 5 - (from 01/08/2026)
NINI

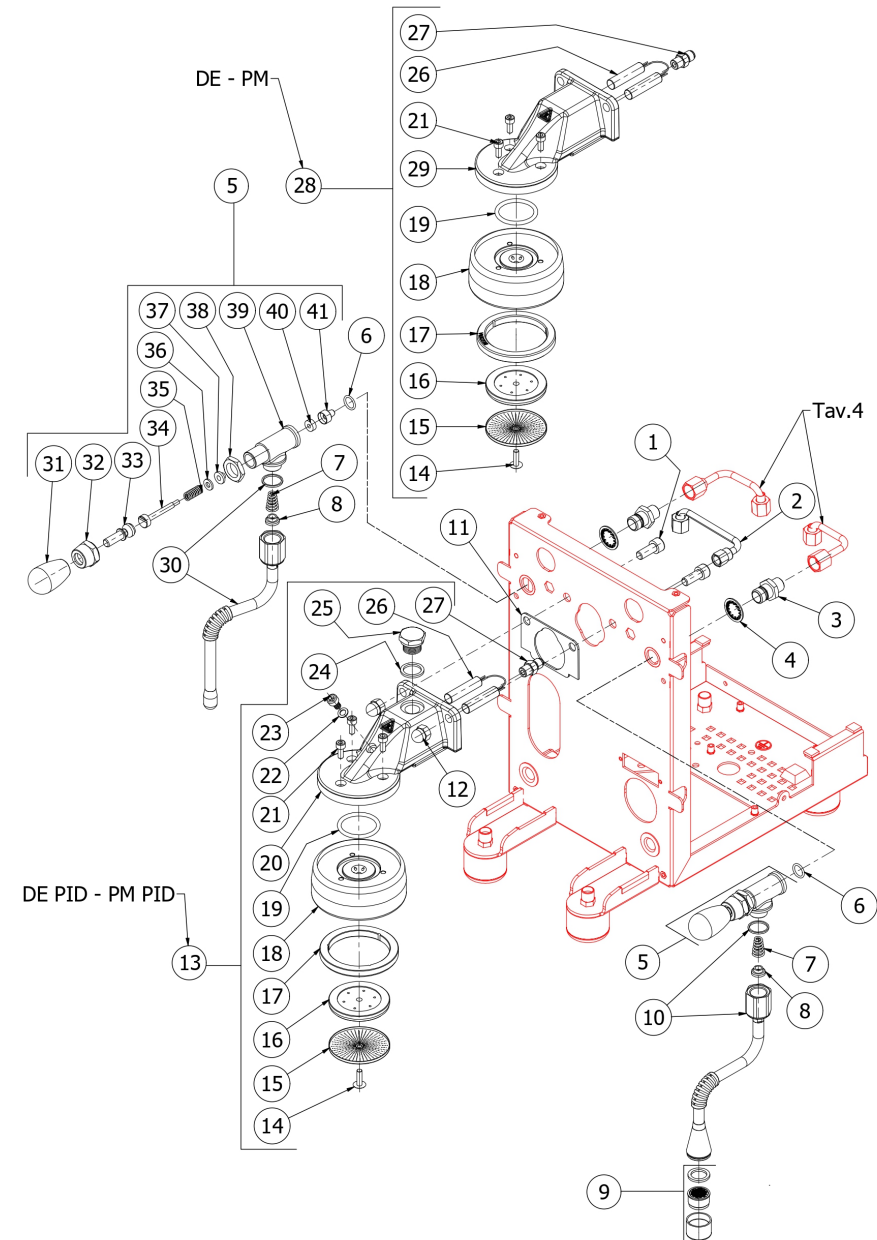


TABLE 5 - (from 01/08/2026)
NINI

POS	CODE	DESCRIPTION
28	5963575.06	ASSY BZ GROUP W/NEW OR GASKET 220-
29	5283059.02TW-AL	BZ GROUP BODY
30	7479990.03	STEAM TUBE TERMINAL 2 HOLES SPHERE
31	7371511.01	BLACK LEVER KNOB I.622/40-M8
32	5262801.01	FERRULE 3/8"G H17 STAINLESS STEEL
33	5225610	ARTICULATED JOINT M8
34	5260204DL	SHAFT D12X47 AISI303 POLISH
35	5471513	SPRING D8 H17 AISI302
36	5261801	WASHER D11
37	5494004	GASKET D12 X 6 PTFE GRAPHITIZED
38	5221826CM	NUT 3/8
39	5283055TW	TAP BODY OT FOR OR
40	5496042	GASKET D11X4X4 EPT 70
41	5224603AL	GASKET HOLDER D12X12 OT57USA

TABLE 5 - (from 01/08/2026)
NINI

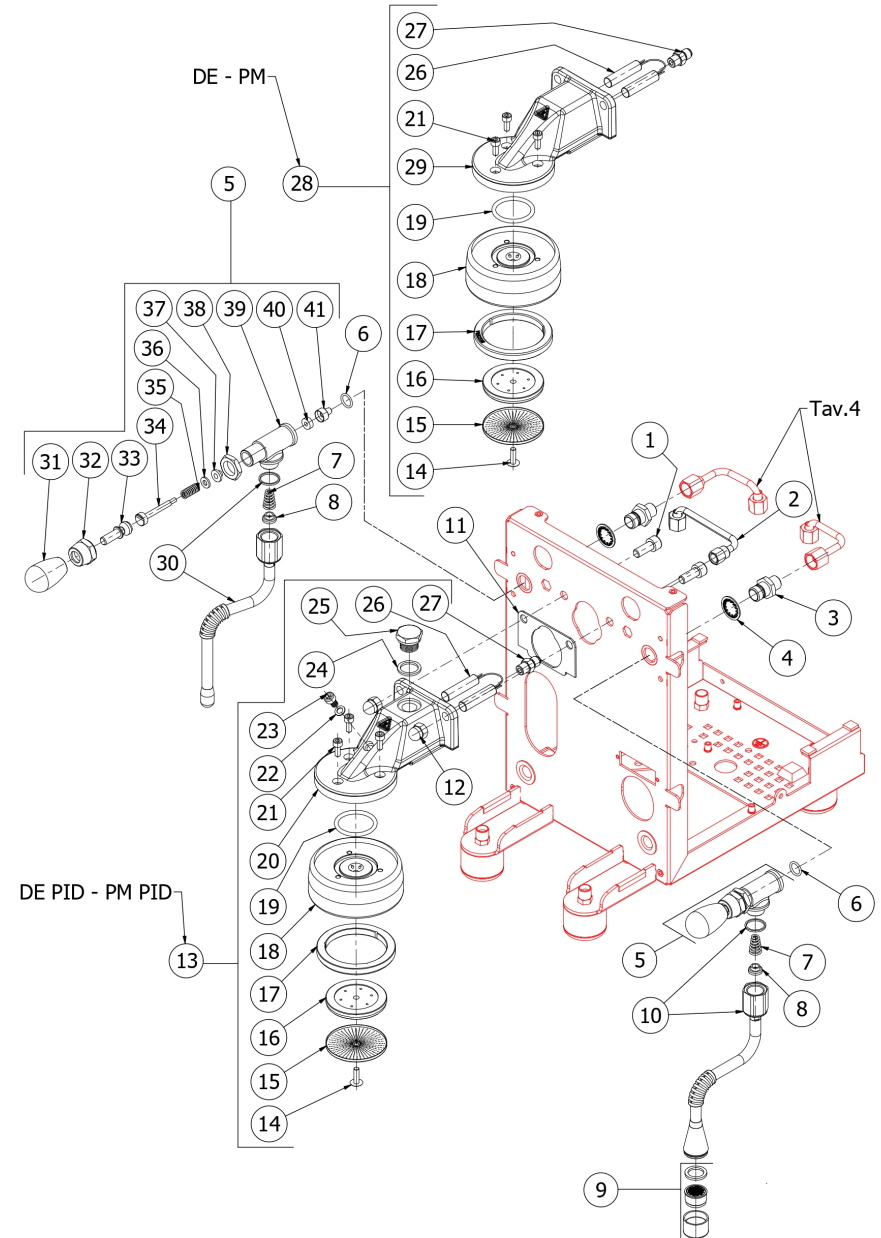


TABLE 6
NINI Mod. DE - DE PID

POS	CODE	DESCRIPTION
1	7816016	SCREW TCEI M3X6
2	7663641	CONNECTION CABLE CARD
3	5053061LW	COVER OPTO TIMER (PR)
4	7639915	PLASTIC SPACER M3X8
5	7665545	OPTO TIMER BOARD (PR)
6	5191513	SPACER NYLON 66 L=7 MM
7	7663640	CABLE 15 VIE FEMALE L.320MM
8	5058513LL	SUPPORT PID CARD W/COMPASSES
9	7434026.03	TERMOSTAT TPID 110V WITHOUT DISPLAY
9	7434027.03	THERMOSTAT TPID 230/240V S/DISP
10	5343104	PID COMPLETE COVER
11	5058517LL	PID+OPTO (PR) CARD SUPPORT WITH BUSHES
12	7809817	SCREW M4X12
13	7635627	RELAIS SSR COMPACT
14	7812402	NUT M3 UNI7473 A2 SELF-LOCKING INOX
15	7554001	ELECTRIC CABLE WITH ENGLISH PLUG
15	7555007	ELECTRIC CABLE WITH CHINA PLUG
15	7552001	ELECTRIC CABLE WITH AUSTRALIAN PLUG
15	7555001	ELECTRIC CABLE WITH SHUKO PLUG
15	7553001	CABLE ISRAELE PLUG H05VV-F 3G1.5M
15	7551001	ELECTRIC CABLE WITH USA PLUG L=1.5M
16	7614006	NUT PG13.5
17	7614007	FAIRLEAD WITH HOLE RUBBER
18	7816030	SCREW TCEI
19	5053069LW	PID DISPLAY COVER
20	5191516	PLASTIC SPACER M2.5X11
21	7665544	TPID DISPLAY CARD WHITE (PR)
22	5661508	STAINLESS STEEL THERMOPID DISPLAY BUTTON
23	5191522	SPACER
24	7633356SG3	KEYBOARD 5A 250V LED 5V 1 COFFEE

TABLE 6
NINI Mod. DE - DE PID

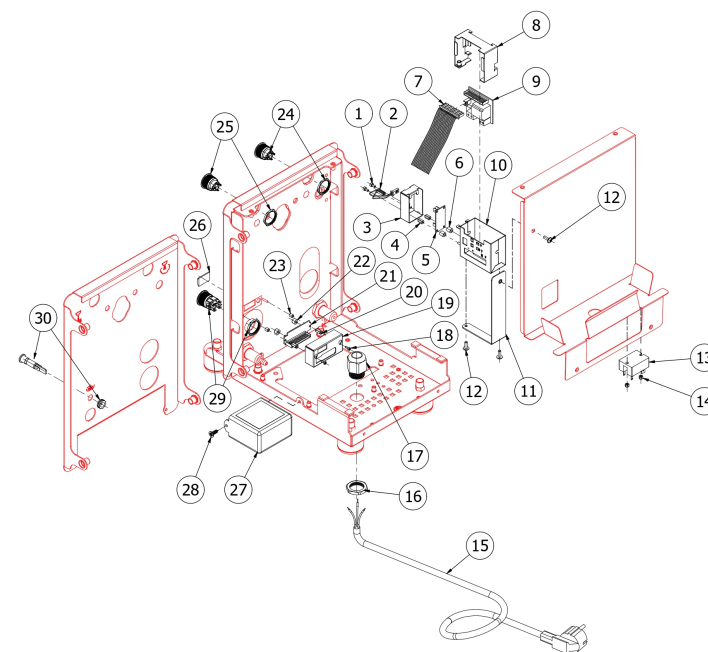


TABLE 6
NINI Mod. DE - DE PID

POS	CODE	DESCRIPTION
25	7633356SG4	KEYBOARD 5A 250V LED 5V 2 COFFEE
26	5370045	PLEXIGLASS H3 TERMOPID NINI
27	7662676PR	ELECTRONIC DOSAGE 1GR 3S 110/120V NINI
27	7662675PR	ELECTRONIC DOSAGE 1GR 3S 220/240V NINI
28	7819404	TAPPING SCREW TPS D2.9X9.5 UNI 6952
29	7633355SG	SWITCH 110V ON/OFF
29	7633354SG	SWITCH 230V ON/OFF
30	7633628	WHITE LAMP

TABLE 6
NINI Mod. DE - DE PID

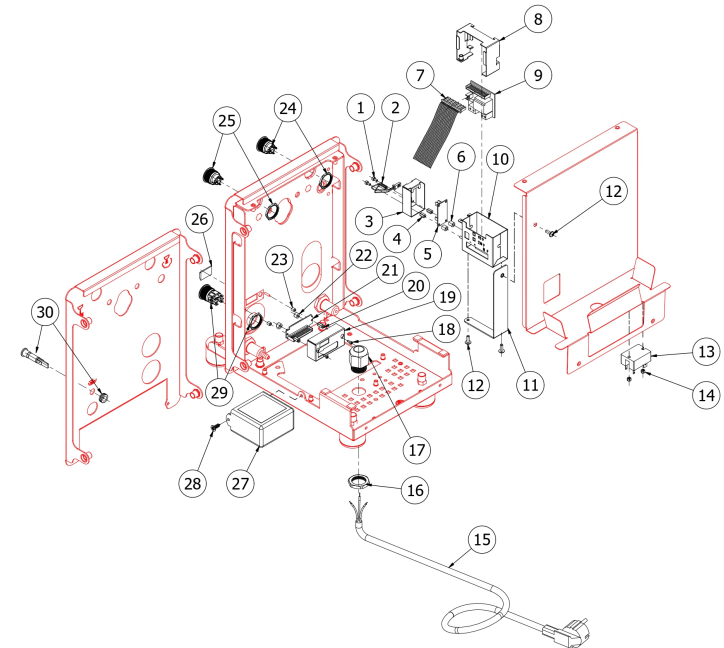


TABLE 6A
NINI Mod. PM - PM PID

POS	CODE	DESCRIPTION
1	7816016	SCREW TCEI M3X6
2	7663641	CONNECTION CABLE CARD
3	5053061LW	COVER OPTO TIMER (PR)
4	7639915	PLASTIC SPACER M3X8
5	7665545	OPTO TIMER BOARD (PR)
6	5191513	SPACER NYLON 66 L=7 MM
7	7663640	CABLE 15 VIE FEMALE L.320MM
8	5058513LL	SUPPORT PID CARD W/COMPASSES
9	7434027.03	THERMOSTAT TPID 230/240V S/DISP
9	7434026.03	TERMOSTAT TPID 110V WITHOUT DISPLAY
10	5343104	PID COMPLETE COVER
11	5058517LL	PID+OPTO (PR) CARD SUPPORT WITH BUSHES
12	7809817	SCREW M4X12
13	7635627	RELAIS SSR COMPACT
14	7812402	NUT M3 UNI7473 A2 SELF-LOCKING INOX
15	7552001	ELECTRIC CABLE WITH USA PLUG L=1.5M
15	7551001	ELECTRIC CABLE WITH CHINA PLUG
15	7554001	ELECTRIC CABLE WITH AUSTRALIAN PLUG
15	7555007	ELECTRIC CABLE WITH SHUKO PLUG
15	7553001	CABLE ISRAELE PLUG H05VV-F 3G1.5M
15	7555001	ELECTRIC CABLE WITH ENGLISH PLUG
16	7614006	NUT PG13.5
17	7614007	FAIRLEAD WITH HOLE RUBBER
18	7816030	SCREW TCEI
19	5053069LW	PID DISPLAY COVER
20	5191516	PLASTIC SPACER M2.5X11
21	7665544	TPID DISPLAY CARD WHITE (PR)
22	5661508	STAINLESS STEEL THERMOPID DISPLAY BUTTON
23	5191522	SPACER
24	7633354SG1	SWITCH 230V COFFEE

TABLE 6A
NINI Mod. PM - PM PID

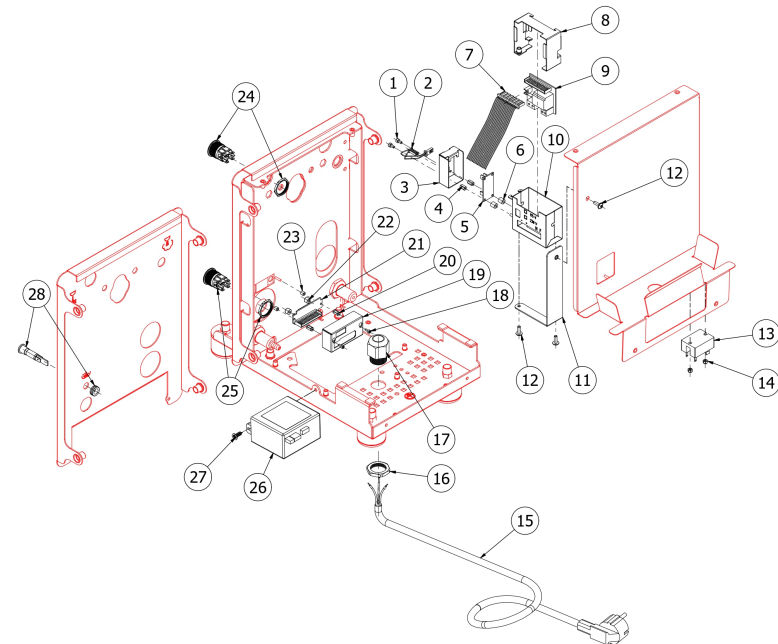


TABLE 6A
NINI Mod. PM - PM PID

POS	CODE	DESCRIPTION
24	7633355SG1	SWITCH 110V COFFEE
25	7633354SG	SWITCH 230V ON/OFF
25	7633355SG	SWITCH 110V ON/OFF
26	7661007.01R	CONTROL UNIT 220/240V 50/60HZ
26	7661006.01R	LEVEL REGULATOR 100/120V 50/60HZ
27	7819404	TAPPING SCREW TPS D2.9X9.5 UNI 6952
28	7633628	WHITE LAMP

TABLE 6A
NINI Mod. PM - PM PID

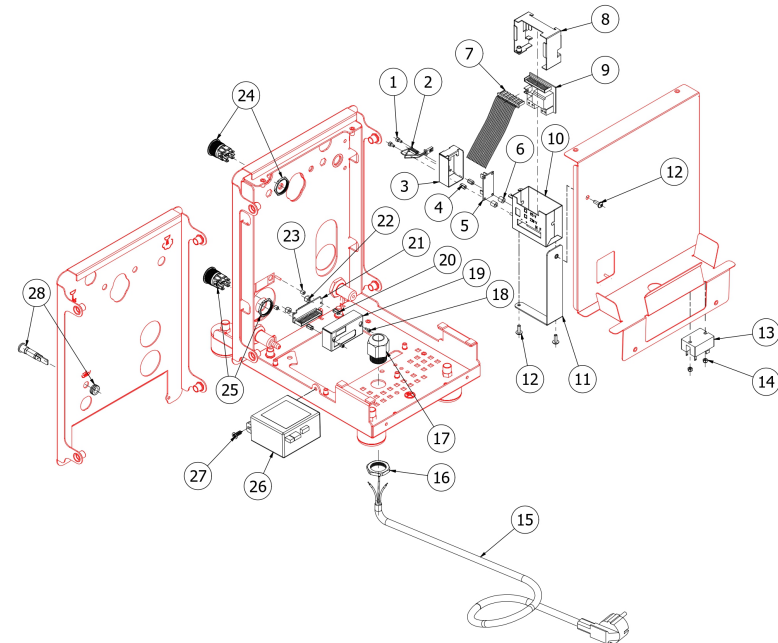
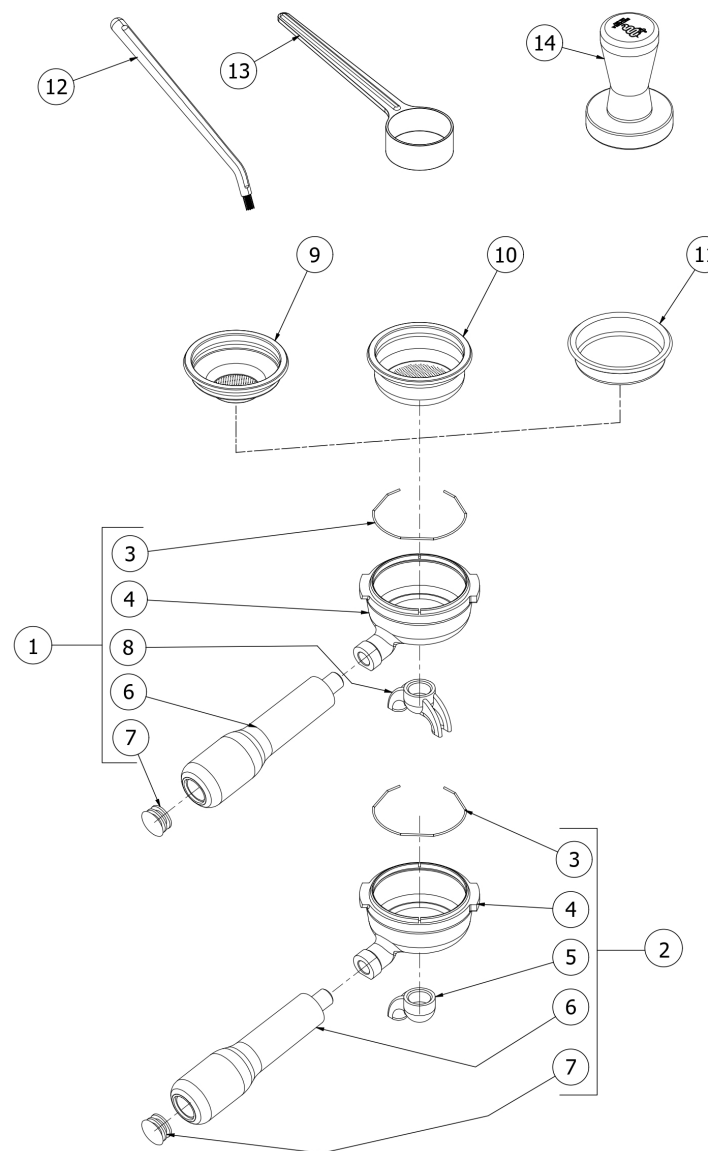


TABLE 7
NINI

POS	CODE	DESCRIPTION
1	5965603.01R	ASSY FILTER-HOLDER INCL.1TZ BZ
2	5965604.01R	FILTER-HOLDER COMPLETE 2 CUPS
3	5471527	FILTER-HOLDER SPRING D1.2 AISI 302
4	5286016TW	FILTER-HOLDER TILTED HANDLE BZ
5	7288505TW	SPOUT 1 WAY SHORT
6	7371502	FILTER-HOLDER KNOB
7	5373915CM	FILTER-HOLDER PLUG D16.5
8	7288501TW	SPOUT 2 WAY SHORT
9	5471031.01	FILTER 1 CUP 10 GRAMS
10	5471035	FILTER 2 CUPS 20 GRAMS
11	5471038	BLIND FILTER AISI304
12	7990603	CLEANING BRUSH FOR COFFEE MACHINE
13	5372101	BLACK MEASURE
14	5963289.01AN	COFFEE TAMPER WITH BLACK KNOB

TABLE 7
NINI





G.BEZZERA S.R.L.
MACCHINE PER CAFFE' ESPRESSO
Via Luigi Bezzera,1
20088 Rosate - Milano - Italy
Tel. +39 02 90848102 r.a.
Web: www.bezzera.com
e-mail: admin@bezzera.it