



MITICA

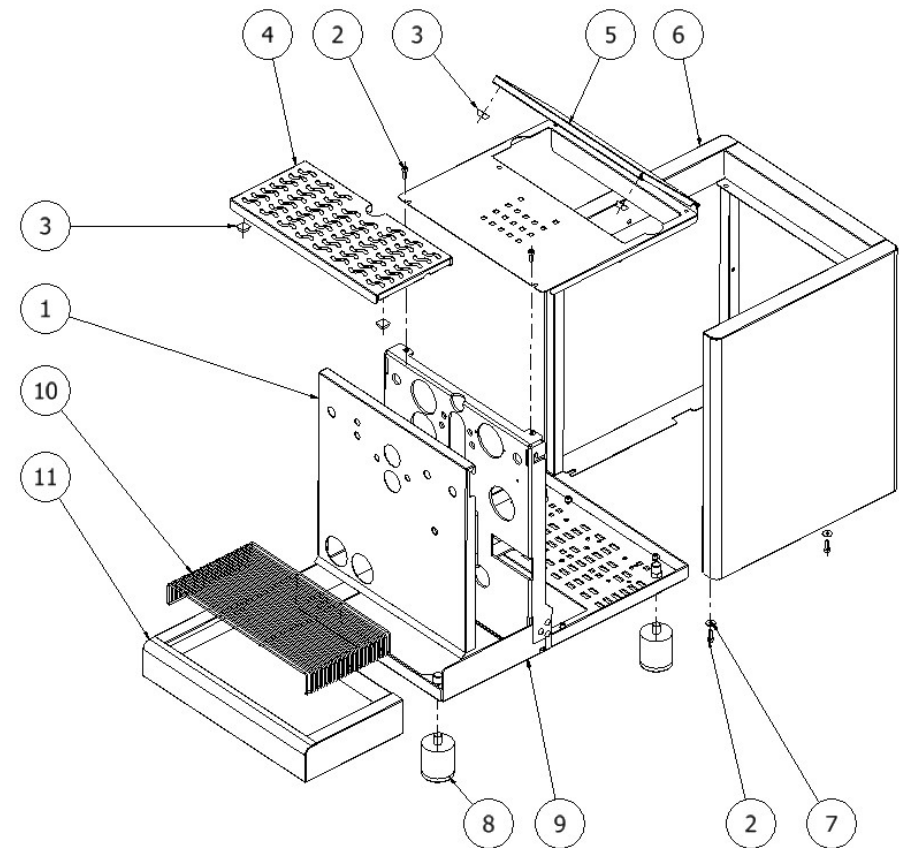
COD. 9942050.05

REV. 01 ed.02/26



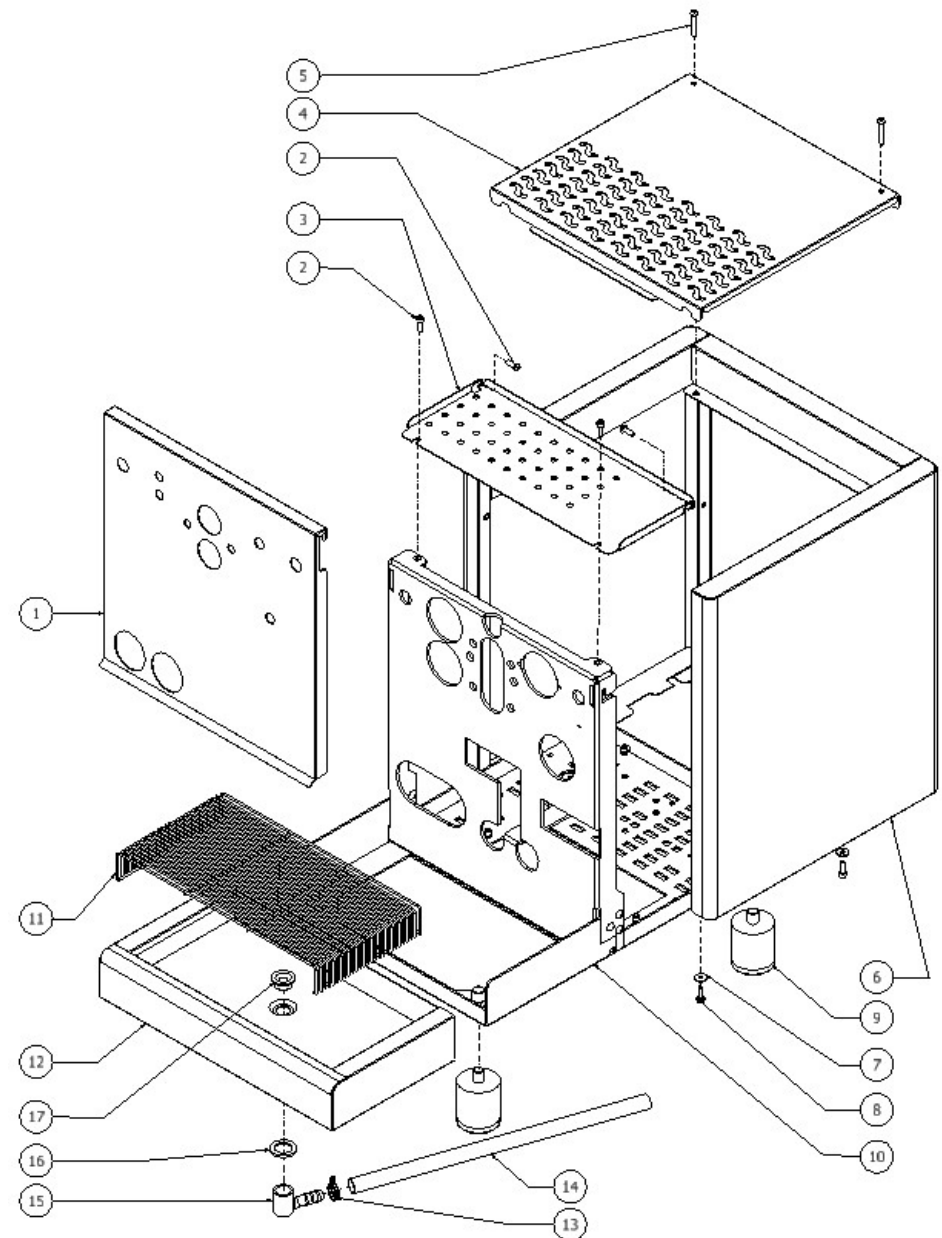
BEZZERA**MITICA**TABLE 1
MIT1 Mod. S - TOP

POS	CODE	DESCRIPTION
1	5074470.02SG	FRONTAL GROUP MITICA LED (TOP version)
1	5074469.01SG	FRONTAL GROUP MITICA LED
2	7816002	SCREW TCEI M4X12 UNI 5931 A2
3	7474217	ADHESIVE FEET 12,7 H5,8
4	5074616LW	CUPS-HEATER GRID - DOMUS
5	5961602.01	ASSEMBLY CUPS-HEATER
6	5344025.01	BODY COMPLETE POLISHED
7	7815005	FLAT WASHER D4.5X12 A2 AISI304
8	7474218	FEET M10 D40X46
9	5340011.01LL	COMPLETE FRAME MITICA (TOP version)
9	5340003.05LL	MITICA-STREGA BLACK CHASSIS COMPL.
10	5261012	WIRED DISCHARGE GRID MIT/MAG/STREGA
11	5340503DL	DRIP TRAY S/S POLISHED

BEZZERA**MITICA**TABLE 1
MIT1 Mod. S - TOP

BEZZERA**MITICA**TABLE 1A
MIT1 Mod. R

POS	CODE	DESCRIPTION
1	5074470.02SG	FRONT GROUP MITICA NET LED
2	7819901	SCREW TBEI M4X12 ISO 7380 A2 INOX
3	5056330LW	CUPS-HEATER TEK01 2B
4	5074620LW	CUPS-HEATER GRID
5	7819911	SCREW TTEI M4X25 INOX
6	5344025.01	BL06S BODY COMPLETE POLISHED
7	7815005	FLAT WASHER D4.5X12 A2 AISI304
8	7816002	SCREW TCEI M4X12 UNI 5931 A2
9	7474218	FEET M10 D40X46
10	5340003.05LL	MITICA-STREGA BLACK CHASSIS COMPL.
11	5261012	WIRED DISCHARGE GRID MIT/MAG/STREGA
12	5340503LL	DRIP TRAY S/S POLISHED
13	7611502	CLAMP D14
14	7303502	HOSE D14 L=1.5M PLASTIC
15	5224403.01NC	RUBBER-HOLDER
16	5492022	GASKET D25 X 17 X 2 ASBESTOS FREE
17	5225230NC	FITTING 3/8"G NICKEL

BEZZERA**MITICA**TABLE 1A
MIT1 Mod. R

BEZZERA**MITICA**TABLE 1B
MIT1 Mod. TOP PID

POS	CODE	DESCRIPTION
1	5074905.01SG	FRONT GROUP MITICA T/PID NET
2	7816002	SCREW TCEI M4X12 UNI 5931 A2
3	7474217	ADHESIVE FEET 12,7 H5,8
4	5074616LW	CUPS-HEATER GRID - DOMUS
5	5961602.01	ASSEMBLY CUPS-HEATER
6	5344042	COMPLETE BODY MITICA/STREGA BACK
7	7815005	FLAT WASHER D4.5X12 A2 AISI304
8	7474218	FEET M10 D40X46
9	5340011.01LL	COMPLETE FRAME MITICA (TOP version)
10	5261012	WIRED DISCHARGE GRID MIT/MAG/STREGA
11	5340503DL	DRIP TRAY S/S POLISHED
12	7819919	SCREW TTEI M4X16 ISO 7380 A2
13	7812601	INOX NUT M4 UNI5588
14	5058453.01LW	MITICA LED SUPPORT
15	5370012	REAR PANEL PLEXIGLASS MITICA SP.10
16	7804401	ELASTIC WASHER TYPE A D.4,3X8
17	7663625LL	LED WHITE ADHESIVES 12V L = 0.15MT

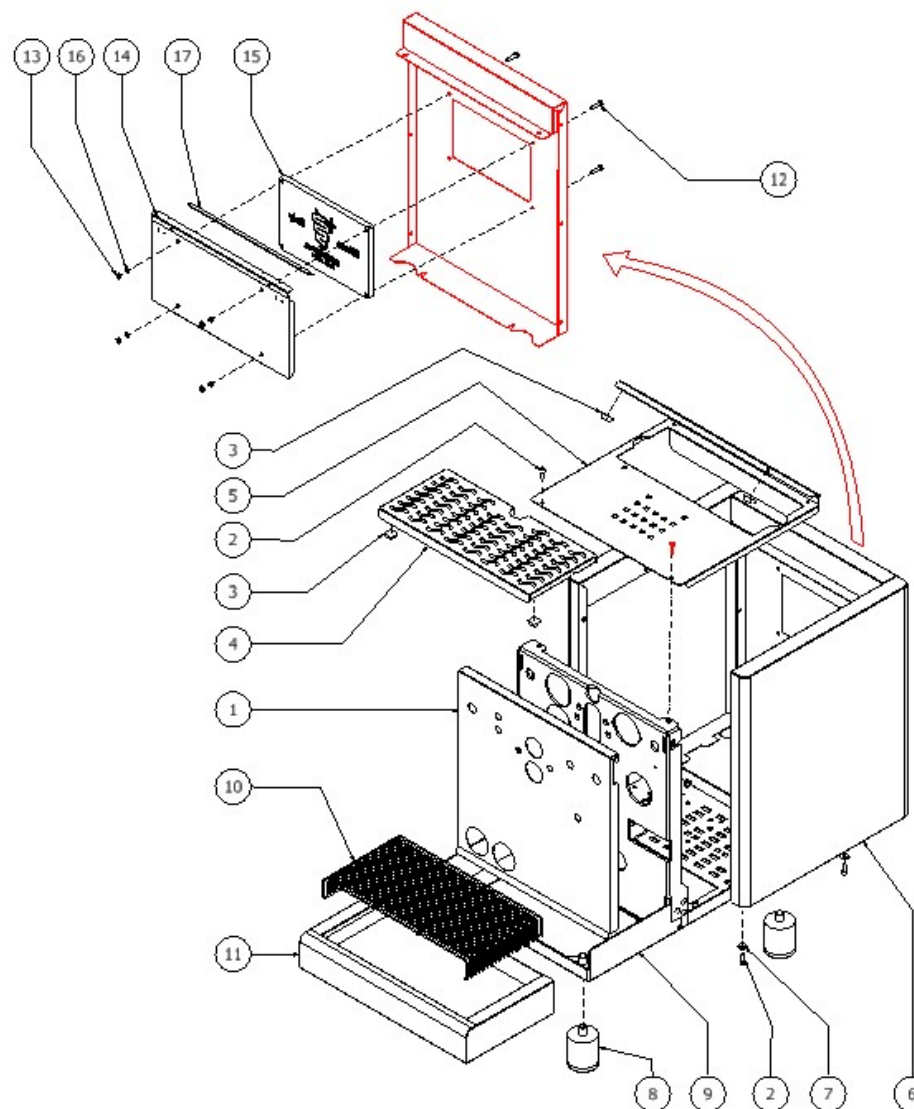
BEZZERA**MITICA**TABLE 1B
MIT1 Mod. TOP PID

TABLE 2 - (from 15/03/2019)
MIT1 Mod.S

POS	CODE	DESCRIPTION
1	7373006.04R	TANK 4LT WITH HOLES
2	7812001	CAP NUT M4 STAINLESS STEEL
3	7374004	WASHER D4 NYLON
4	7819912	SCREW M4X6
5	5194540	HOSE 8X5 L=300 SILICONE
6	5224409	RUBBER-HOLDER D7,5
7	7496073.01	OR GASKET 115 EP856
8	5471521.01	COUPLING SPRING
9	5471509	BALL 7/32
10	5224617AL	GASKET-HOLDER D14.5 X 25 OT
11	5963009.03	ASSEMBLY TANK SUPPORT
15	5221830	NUT M20 H5 OT
16	5225228.01AL	FITTING M20 H28.5 OT
17	7826206	SCREW TCI M3X30 UNI 6107 OT
18	5225246AL	FITTING 1/8
19	5194529	CRISTAL HOSE D6 X 9 L=150MM
20	7611512	CLAMP
21	7731024.01	VIBRATION PUMP OL PLUS 120V 60HZ
21	7731026.01	VIBRATION PUMP OL PLUS 220V 50/60HZ
21	7731023.01	VIBRATION PUMP OL PLUS 230V 50HZ
21	7731027.01	VIBRATION PUMP OL PLUS 240V 50HZ
21	7731025.01	VIBRATION PUMP OL PLUS 100V 50/60HZ
22	7303006	RUBBER-HOLDER FITTING
23	7303057	STRAIGHT FITTING BODY M1/8"
24	7634816	THERMIC SAFETY DEVICE 100°C AUTOMATIC
25	7470602	VIBRATION-DAMPING
27	7815003	PLAIN WASHER D5 UNI 6592 A2
28	7816004	SCREW TCEI M4 X 16
29	7701123.01	EV.2 WAY 110V 25BAR SMALL COIL
29	7702322.01	EV.2 WAY OLAB 220/230V 25BAR SMALL COIL

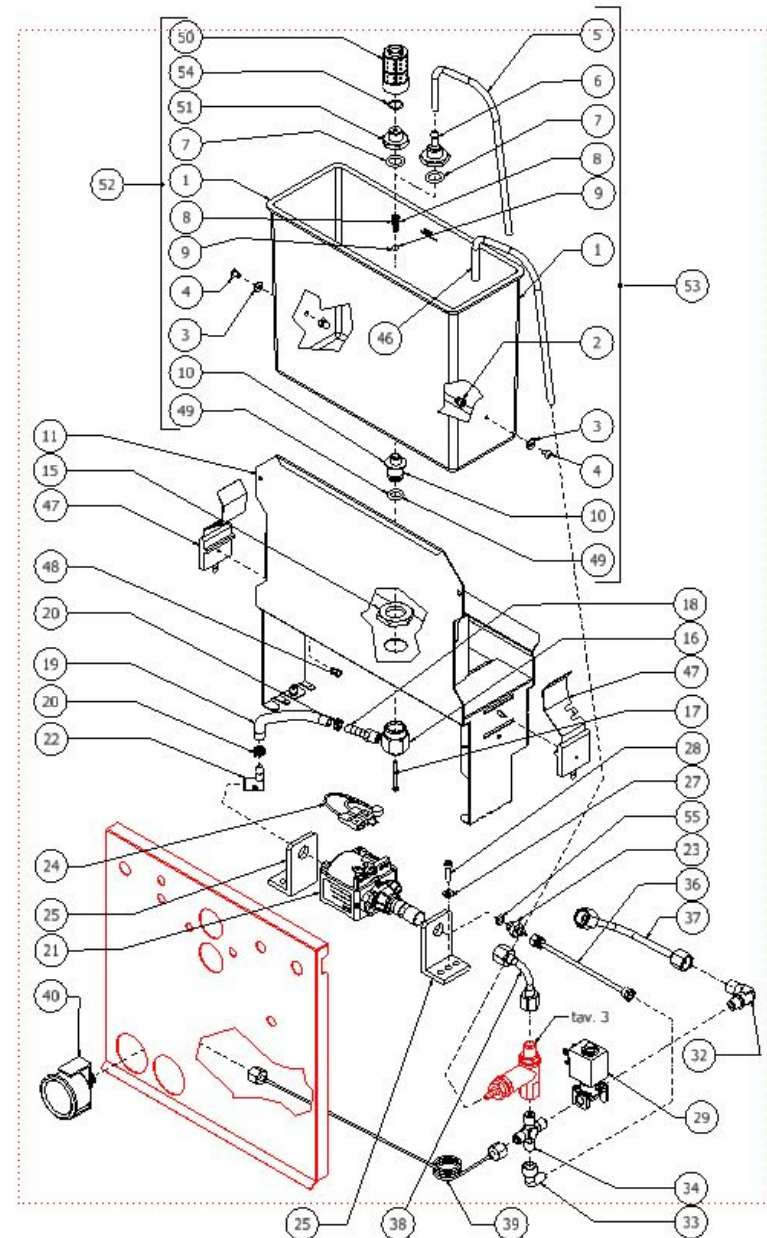
TABLE 2 - (from 15/03/2019)
MIT1 Mod.S

TABLE 2 - (from 15/03/2019)
MIT1 Mod.S

POS	CODE	DESCRIPTION
29	7702415.01	EV.2 WAY 240V 25BAR SMALL COIL
32	5301504AL	ELBOW FITTING M12X1/8
33	7303063TR	ELBOW FITTING BODY 1/8"
34	7304545TR	CROSS FITTING 1/8
36	5194590.01LL	ASSY PTFE PIPE 4X140
37	5162497LL	BOILER LOAD PIPE
38	5162236.01LL	SURPRESSION VALVE - HEAT EXCHANGER
39	7400909	PUMP CAPILLARY
40	7432523	PRESSURE GAUGE D40 16BAR
46	5194592	DRAIN HOSE SURPRESSION VALVE
47	5471535	TANK SUPPORT SHAPED SPRING
48	7809806	SCREW TC M 3,5X8 PLASTITE
49	7496076	OR GASKET 112 EPDM 70SH
50	7374002	FILTER 1/4
51	5302065.01AL	TANK FILTER REDUCTION OT57USA
52	5963070.05	ASSY TANK WITH FILTER
53	5963071.05	ASSY TANK W/RUBBER HOLDER
54	7496101	RED OR GASKET 11X1.5 SILICON 70SH
55	7496023	GASKET OR 106 VITON

TABLE 2 - (from 15/03/2019)
MIT1 Mod.S

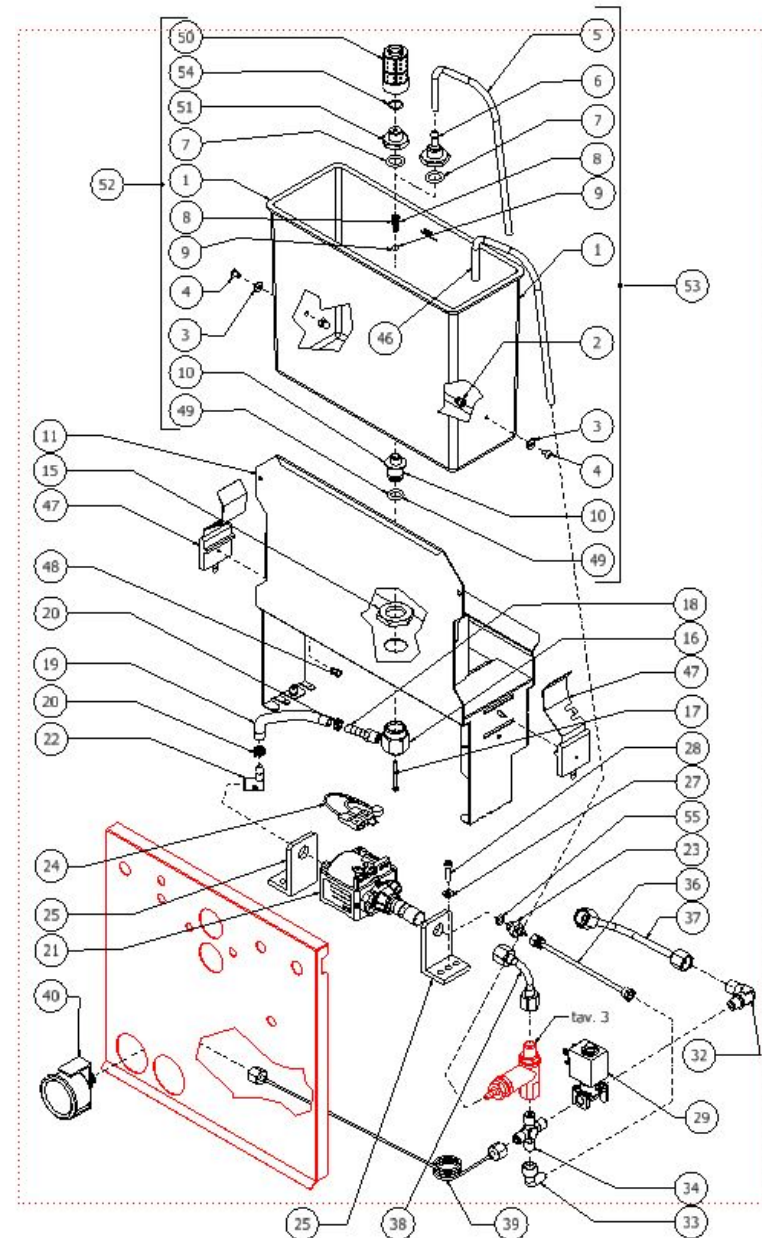


TABLE 2 - (up to 14/03/2019)
MIT1 Mod. S

POS	CODE	DESCRIPTION
1	7373006.04R	TANK 4LT WITH HOLES
2	7496073.01	OR GASKET 115 EP856
3	5471509	BALL 7/32 AISI 304
4	5302065.01AL	TANK FILTER REDUCTION OT57USA
5	7374002	FILTER 1/4
6	5471521.01	COUPLING SPRING
7	7812601	NUT M4 STAINLESS STEEL
8	7374004	WASHER D4 NYLON
9	7819908	SCREW TTEI M4X8
10	5224617AL	GASKET-HOLDER D14.5X25 D.20 OT57USA
11	7496076	OR GASKET 112 EPDM 70SH
12	5224414.01AL	RUBBER HOLDER D7.5 ES.22 OT57
13	5194540	HOSE 8X5 L=300 SILICONE
14	5221830	NUT M20 H5 OT
15	5225228.01AL	FITTING M20X1.25 ES22 H28.5 OT57USA
16	7826206	SCREW TCI M3X30 UNI 6107 OT
17	5225246AL	RUBBER-HOLDER G1/8" OT57USA CONICAL
18	5471535	TANK SUPPORT SHAPED SPRING
19	7400902	BOYLER-MANOMETER CAPILLARY
20	7432523	PRESSURE GAUGE D40 16BAR
21	5162237.01LL	BOILER LOAD HOSE
22	5194590	PUMP-SOLENOID VALVE HOSE
23	5301504AL	ELBOW FITTING M12X1/8"G OT57USA
24	7701123.01	EV.2 WAY 110V 25BAR SMALL COIL
24	7702322.01	EV.2WAY OLAB 220/230V 25BAR SMALL
24	7702415.01	EV.2 WAY 240V 25BAR SMALL COIL
26	5221844	NUT 1/8
27	7304545TR	CROSS FITTING 1/8"G
28	7303034TR	UNION ELBOW 1/8
29	7303036TR	STRAIGHT FITTING 1/8

TABLE 2 - (up to 14/03/2019)
MIT1 Mod. S

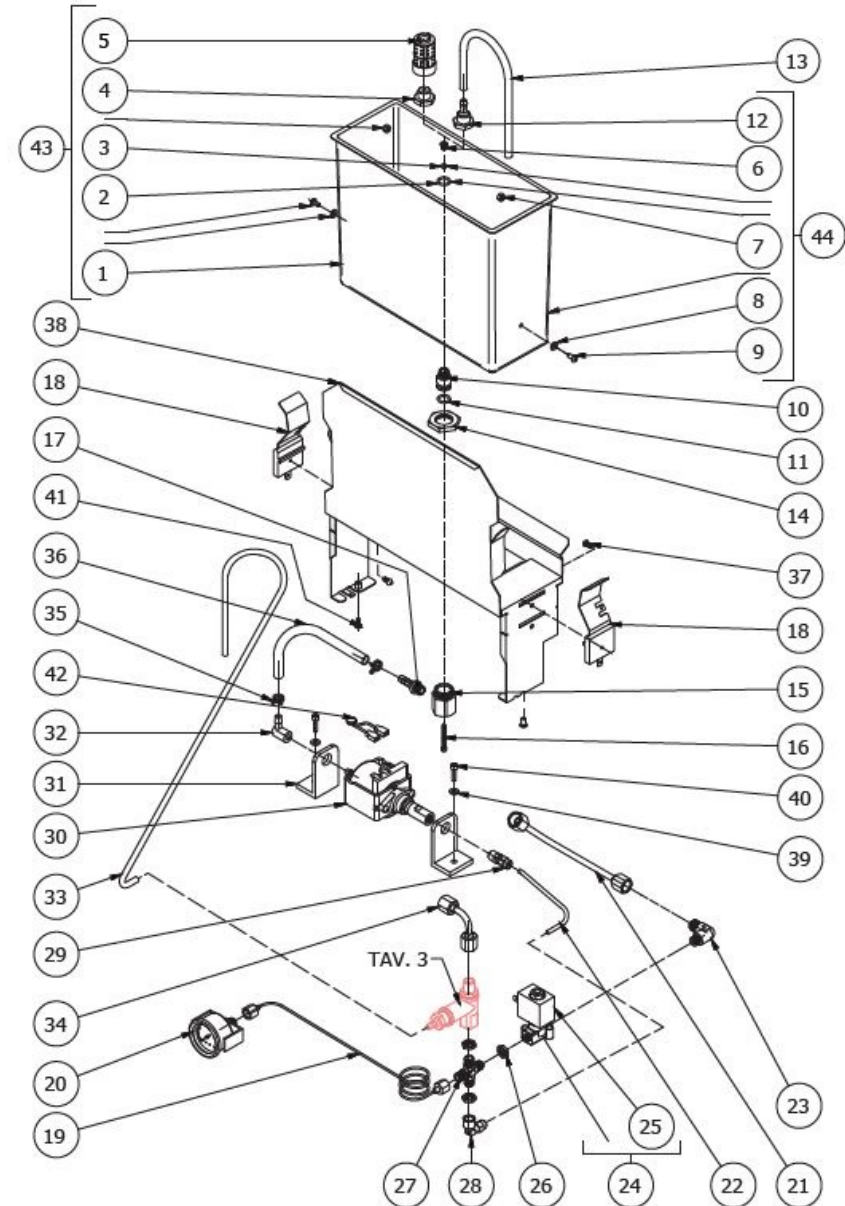
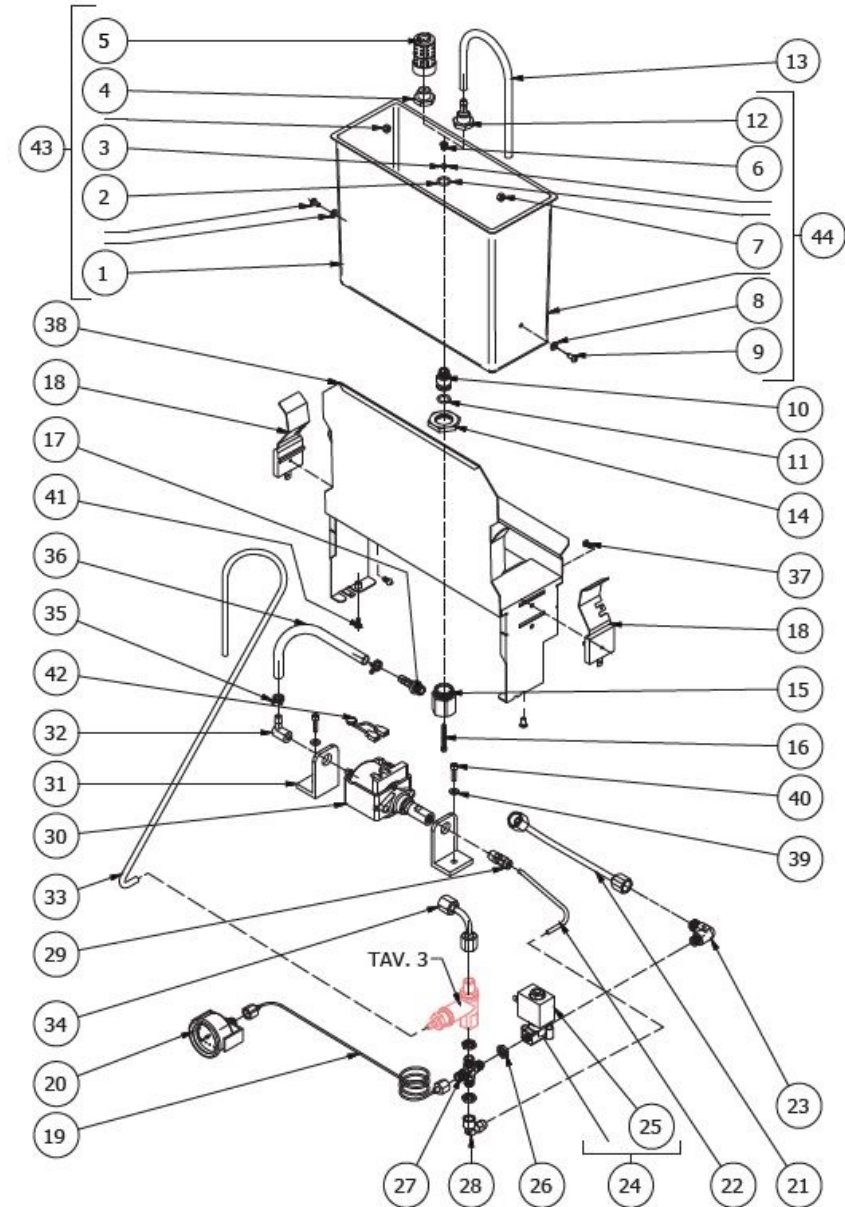


TABLE 2 - (up to 14/03/2019)
MIT1 Mod. S

POS	CODE	DESCRIPTION
30	7731025.01	VIBRATION PUMP OLAB PLUS 100V
30	7731024.01	VIBRATION PUMP PLUS 120V 60HZ OT57
30	7731026.01	VIBRATION PUMP OL PLUS 220V 50/60HZ
30	7731023.01	VIBRATION PUMP OL PLUS 230V 50HZ OT
30	7731027.01	VIBRATION PUMP PLUS 240V 50HZ OT57
31	7470602	VIBRATION-DAMPING
32	7303006	RUBBER-HOLDER FITTING
33	5194592	DRAIN HOSE SURPRESSION VALVE
34	5162236.01LL	SURPRESSION VALVE - HEAT EXCHANGER HOSE
35	7611512	CLAMP
36	5194529	CRISTAL HOSE D6 X 9 L=150MM
37	7809806	SCREW TC M 3,5X8 PLASTITE
38	5963009.03	ASSEMBLY TANK SUPPORT
39	7815003	PLAIN WASHER D5 UNI 6592 A2
40	7816004	SCREW TCEI M4 X 16
41	7816009	SCREW TCEI M4X10
42	7634816	THERMIC SAFETY DEVICE 100°C AUTOMATIC
43	5963070.05	ASSEMBLY TANK WITH FILTER
44	5963071.05	ASSEMBLY TANK WITH RUBBER-HOLDER

TABLE 2 - (up to 14/03/2019)
MIT1 Mod. S



BEZZERA

MITICA

TABLE 2A - (from 31/10/2019)
MIT1 Mod. TOP

POS	CODE	DESCRIPTION
1	5162497LL	BOILER LOAD PIPE
2	5301504AL	ELBOW FITTING M12X1/8
3	7702322.01	EV.2WAY OLAB 220/230V 25BAR SMALL
3	7702415.01	EV.2 WAY 240V 25BAR SMALL COIL
3	7701123.01	EV.2 WAY 110V 25BAR SMALL COIL
5	5194540	SILICON PIPE D8X5X1.5 L=300
6	5221844	NUT 1/8
7	7815001	WASHER D10 UNI 6592 A2
8	5283061	DRAIN FITTING 1/8
9	5162236.01LL	SURPRESSION VALVE - HEAT EXCHANGER
11	7809806	SCREW TC M 3,5X8 PLASTITE
12	7304538TR	FITTING
14	7200501	FLEXIBLE HOSE 1/8
15	7432523	PRESSURE GAUGE D40 16BAR NEUTRAL
16	7304545TR	CROSS FITTING 1/8
17	7303063TR	ELBOW FITTING BODY 1/8"
19	5194601.01LL	PUMP PIPE/EV PTFE L=250
20	7303062TR	ELBOW FITTING BODY M1/8
21	7304543TR	FITTING TEE CONICAL 1/8
22	5194617	PTFE HOSE 6X140
23	7304534TR	STRAIGHT FITTING M1/8
24	5225228.01AL	FITTING M20X1.25 ES22 H28.5 OT57USA
25	7826206	SCREW TCI M3X30 UNI 6107 OT
26	5302057AL	FITTING 1/8
27	5057859LW	SQUARE RISE TANK MITICA TOP
29	5471535	TANK SUPPORT SHAPED SPRING
30	5058411LL	MOTOR SUPPORT RPM W/COMPASSES
31	5963009.03	TANK SUPPORT
32	5221830	NUT M20 H5 OT
35	7730509	ROTARY PUMP 50-70L/H+BAND+JOINT

BEZZERA

MITICA

TABLE 2A - (from 31/10/2019)
MIT1 Mod. TOP

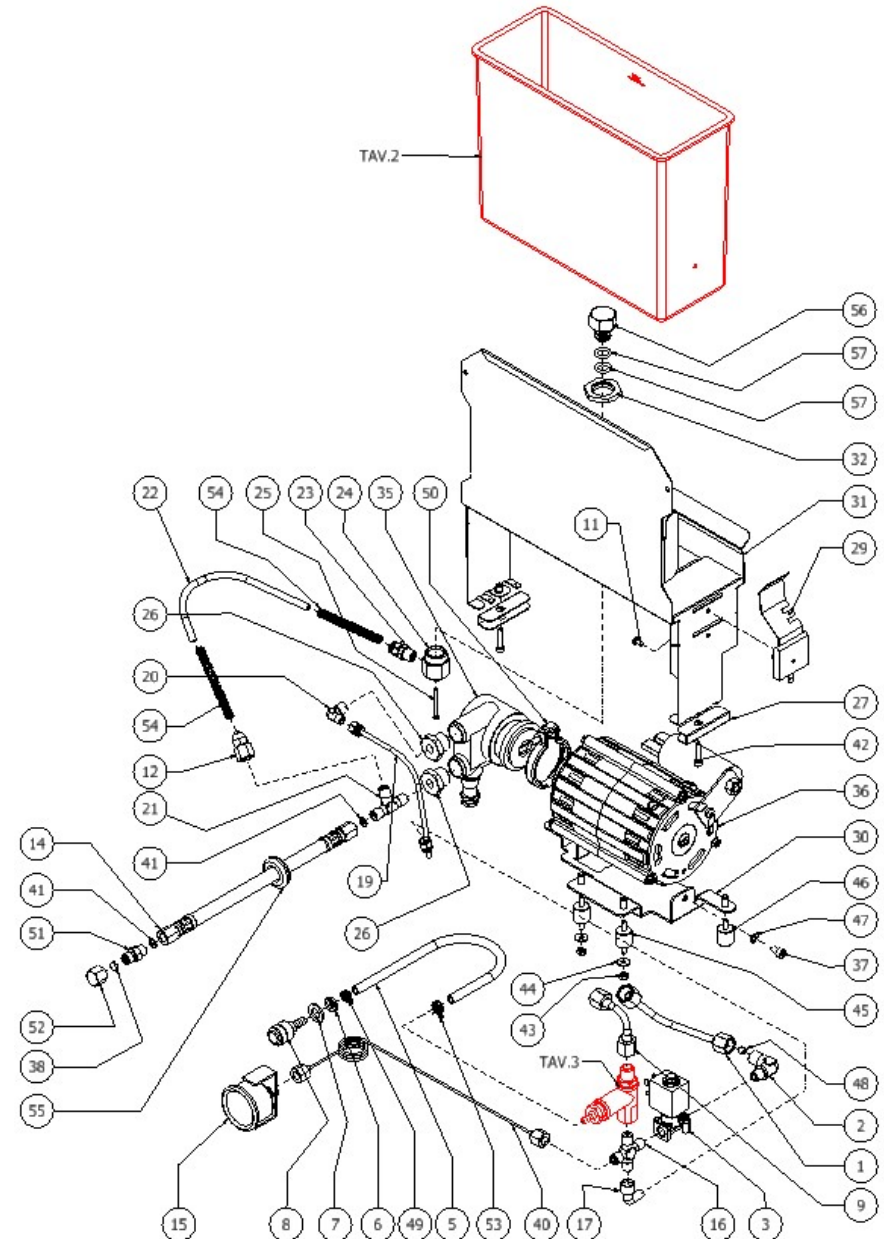


TABLE 2A - (from 31/10/2019)
MIT1 Mod. TOP

POS	CODE	DESCRIPTION
36	7741005.03	ELECTRIC MOTOR 110V 25MF 50/60HZ
36	7742404.03	ELECTRIC MOTOR 220/240V 6MF 50/60HZ
37	7816027	SCREW TCEI M5X8 UNI5931 A2
38	5492019	GASKET D8 X 2 ASBESTOS FREE
40	7400909	PUMP CAPILLARY
41	7492004	GASKET D8.5 X 4.2 X 1.5
42	7816005	SCREW TCEI M4X20 UNI 5931 A2
43	7822603	NUT M4 OT
44	7815005	FLAT WASHER D4.5X12 A2 AISI304
45	7470604	VIBRATION-DAMPING
46	7474219	FEET
47	7814002	NOTCHED WASHER D4
48	5223005TP	JET M6 X 6 HOLE D1.2 OT
49	7611512	CLAMP
50	7611508	PUMP CLAMP
51	7304502TR	STRAIGHT FITTING 1/8
52	5221835	CAP NUT 1/8
53	7611516	CLAMP 10086
54	5471545	SPRING COVER TUBE PTFE
55	7613004	FAIRLEAD WITH HOLE RUBBER
56	5226416AL	PLUG ES22 X 26.5

TABLE 2A - (from 31/10/2019)
MIT1 Mod. TOP

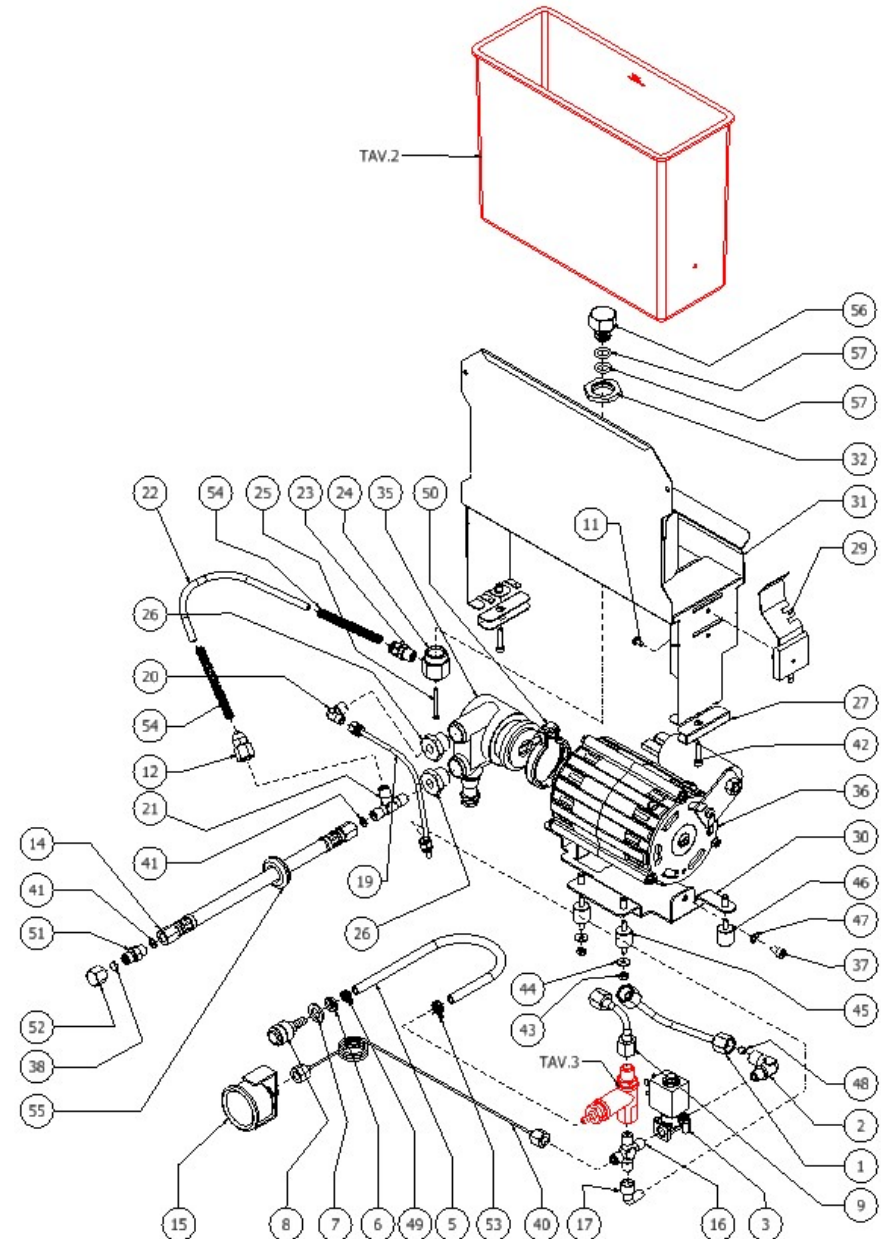
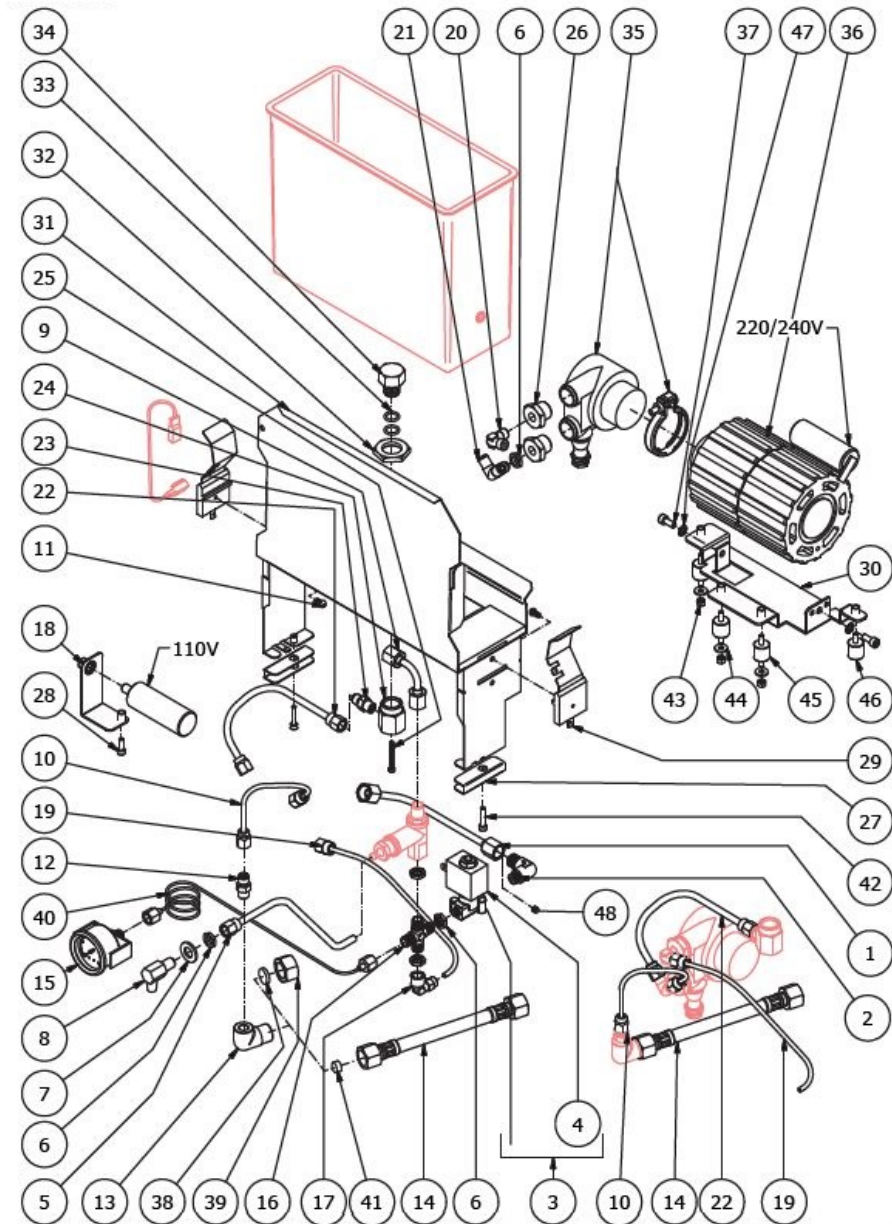


TABLE 2A - (from 21/02/2013 up to 30/10/2019)
MIT1 Mod. TOP

POS	CODE	DESCRIPTION
1	5162237.01LL	BOILER LOAD HOSE
2	5301504AL	ELBOW FITTING M12X1/8"G OT57USA
3	7701123.01	EV.2 WAY 110V 25BAR SMALL COIL
3	7702322.01	EV.2WAY OLAB 220/230V 25BAR SMALL
3	7702415.01	EV.2 WAY 240V 25BAR SMALL COIL
5	5194508.01R	SURP.VALVE DRAIN PIPE
6	5221844	NUT 1/8
7	7815001	WASHER D10 UNI 6592 A2
8	5283061	DRAIN FITTING 1/8"G
9	5162236.01LL	SURPRESSION VALVE - HEAT EXCHANGER HOSE
10	5194597R	PUMP PIPE
11	7809806	SCREW TC M 3,5X8 PLASTITE
12	7304502TR	STRAIGHT FITTING 1/8
13	5301519R	ELBOW FITTING
13	7304507TR	UNION ELBOW 1/8"G MF OT
14	7200512.01	FLEX INOX 3/8"FFC L=1500 VALV
14	7200514	FLEXIBLE HOSE 3/8"X1/8" L=1500MM
15	7432523	PRESSURE GAUGE D40 16BAR
16	7304545TR	CROSS FITTING 1/8"G
17	7303034TR	UNION ELBOW 1/8
18	5037842LL	SUPPORT COND. 110V W/COMPASSES
19	5194601R	PUMP PIPE
20	7303001TR	UNION ELBOW 1/8"G
21	7304505TR	FITTING 3 WAYS 1/8"G OT WITHOUT PB
22	5194617R	PUMP PIPE
23	7304502TR	STRAIGHT FITTING 1/8
24	5225228.01AL	FITTING M20X1.25 ES22 H28.5 OT57USA
25	7826206	SCREW TCI M3X30 UNI 6107 OT
26	5302057AL	FITTING 1/8"X3/8"G ES22 OT57USA
27	5057859LW	TANK SQUARE

TABLE 2A - (from 21/02/2013 up to 30/10/2019)
MIT1 Mod. TOP



BEZZERA

MITICA

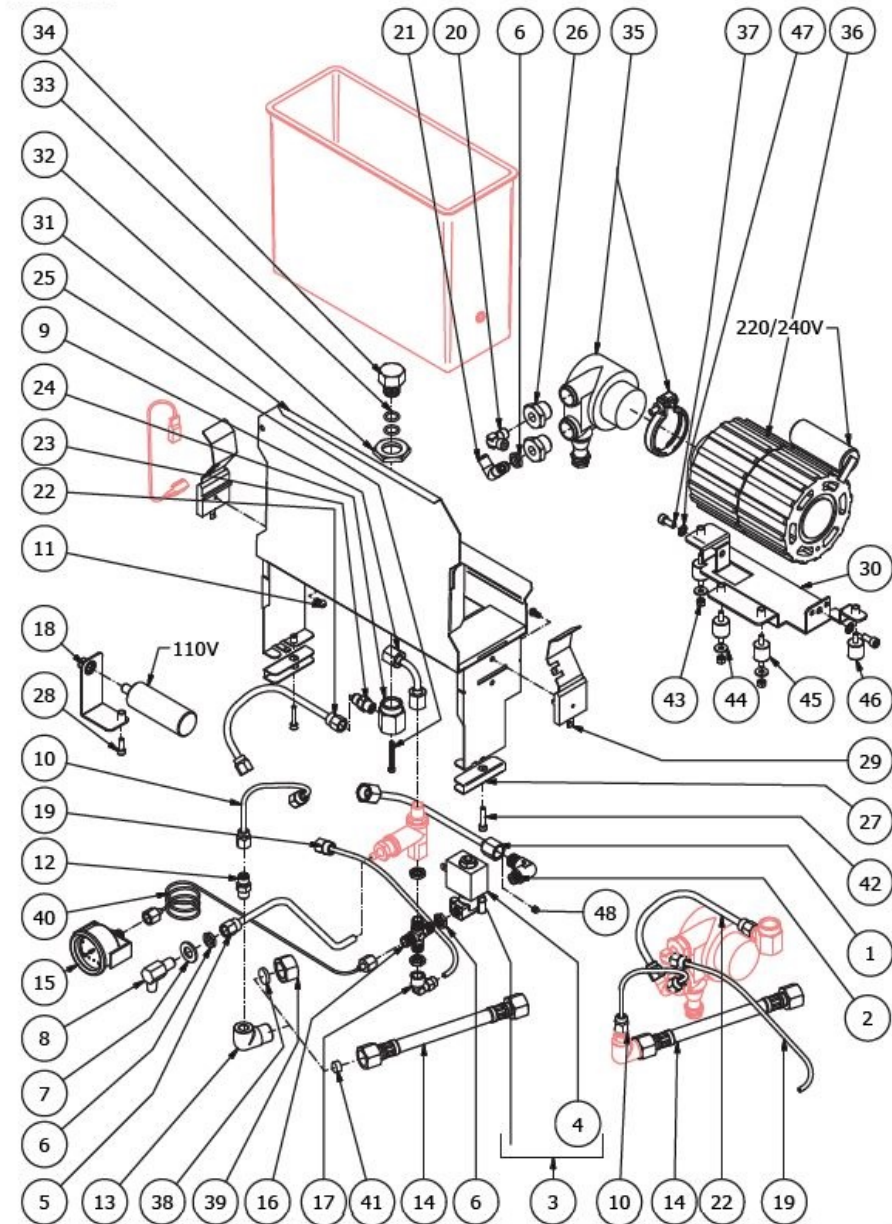
TABLE 2A - (from 21/02/2013 up to 30/10/2019)
MIT1 Mod. TOP

POS	CODE	DESCRIPTION
28	7816002	SCREW TCEI M4X12 UNI 5931 A2
29	5471535	TANK SUPPORT SHAPED SPRING
30	5058411LL	MOTOR SUPPORT RPM W/COMPASSES
31	5963009.03	ASSEMBLY TANK SUPPORT
32	5221830	NUT M20 H5 OT
33	7496076	OR GASKET 112 EPDM 70SH
34	5226416AL	PLUG ES22 X 26.5
35	7730509	PUMP 50-70L/H+CLAMP+JOINT
36	7741005.03	ELECTRIC MOTOR 110V 25MF 50/60HZ
36	7742404.03	ELECTRIC MOTOR 220/240V 6MF 50/60HZ
37	7816027	SCREW TCEI M5X8
38	5492011	GASKET D15X3
38	5492019	GASKET D8 X 2 ASBESTOS FREE
39	5221819	CAP NUT 3/8
39	5221835	CAP NUT 1/8"G ES.14 H12 OT
40	7400902	PUMP PRESSURE GAUGE CAPILLARY
41	5471032	FILTER
41	7492004	GASKET D8.5 X 4.2 X 1.5
42	7816005	SCREW TCEI M4X20
43	7822603	NUT M4
44	7815005	FLAT WASHER D4.5X12 A2 AISI304
45	7470604	VIBRATION-DAMPING
46	7474219	FEET
47	7814002	NOTCHED WASHER D5 DIN 6798A A2
48	5223005TP	JET M6 X 6 HOLE D1.2 OT

BEZZERA

MITICA

TABLE 2A - (from 21/02/2013 up to 30/10/2019)
MIT1 Mod. TOP



BEZZERA

MITICA

TABLE 2A - (up to 20/02/2013)
MIT1 Mod. TOP

POS	CODE	DESCRIPTION
1	5162237.01LL	BOILER LOAD HOSE
2	5301504AL	ELBOW FITTING M12X1/8"G OT57USA
3	7702415.01	EV.2 WAY 240V 25BAR SMALL COIL
3	7701123.01	EV.2 WAY 110V 25BAR SMALL COIL
3	7702322.01	EV.2WAY OLAB 220/230V 25BAR SMALL
5	5194508.01R	SURP.VALVE DRAIN PIPE
6	5221844	NUT 1/8
7	7815001	WASHER D10 UNI 6592 A2
8	5283061	DRAIN FITTING 1/8"G
9	5162236.01LL	SURPRESSION VALVE - HEAT EXCHANGER HOSE
10	5194597R	PUMP PIPE
11	7809806	SCREW TC M 3,5X8 PLASTITE
12	7304502TR	STRAIGHT FITTING 1/8
13	5301519R	ELBOW FITTING
14	7200512.02	FLEX INOX 3/8"FFP L=1500 VALVE
15	7432523	PRESSURE GAUGE D40 16BAR
16	7304545TR	CROSS FITTING 1/8"G
17	7303034TR	UNION ELBOW 1/8
18	7816001	SCREW TCEI M5X12 UNI5931 A2
19	5194601R	PUMP PIPE
20	7303001TR	UNION ELBOW 1/8"G
21	7304505TR	FITTING 3 WAYS 1/8"G OT WITHOUT PB
22	5194617R	PUMP PIPE
23	7304502TR	STRAIGHT FITTING 1/8
24	5225228.01AL	FITTING M20X1.25 ES22 H28.5 OT57USA
25	7826206	SCREW TCI M3X30 UNI 6107 OT
26	5302057AL	FITTING 1/8"X3/8"G ES22 OT57USA
27	5057859LW	TANK SQUARE
28	5221844	NUT 1/8
29	5471535	TANK SUPPORT SHAPED SPRING

BEZZERA

MITICA

TABLE 2A - (up to 20/02/2013)
MIT1 Mod. TOP

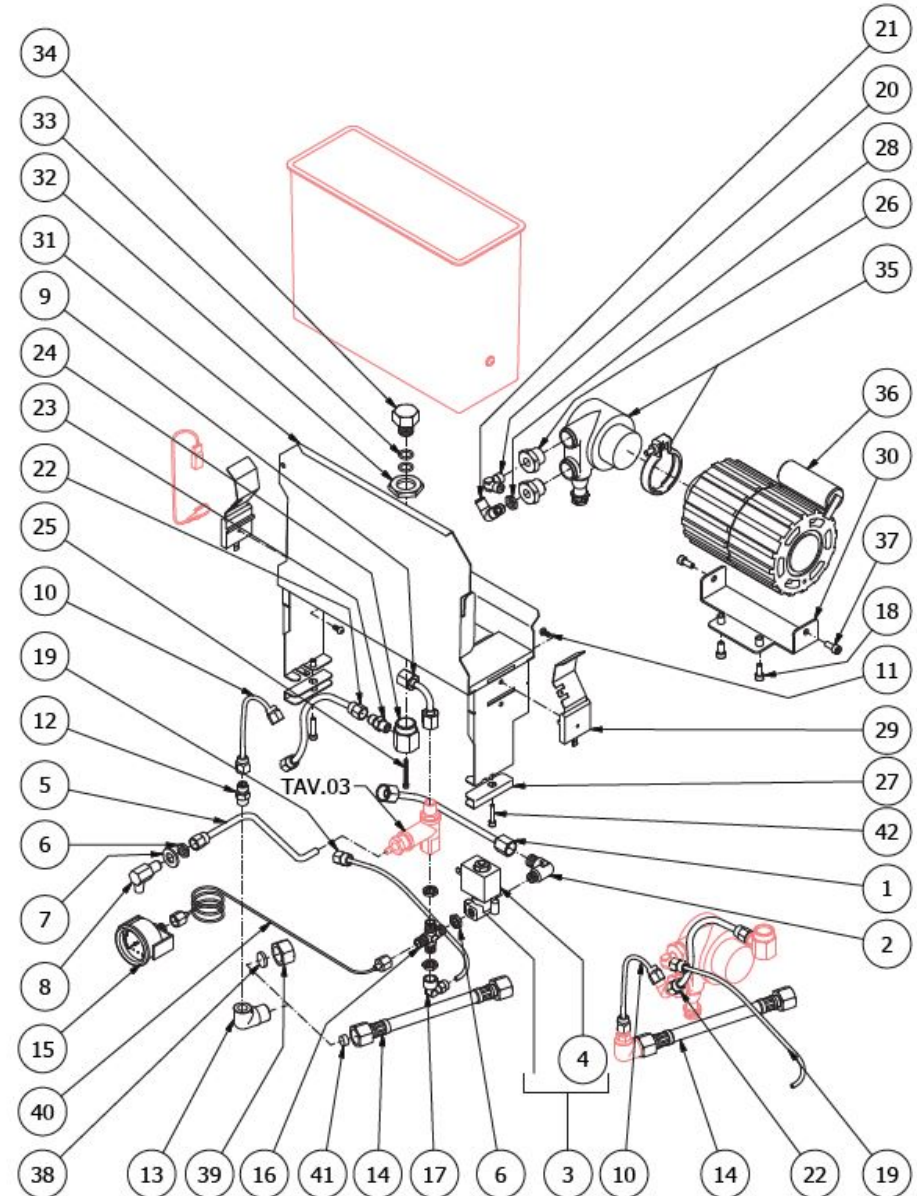
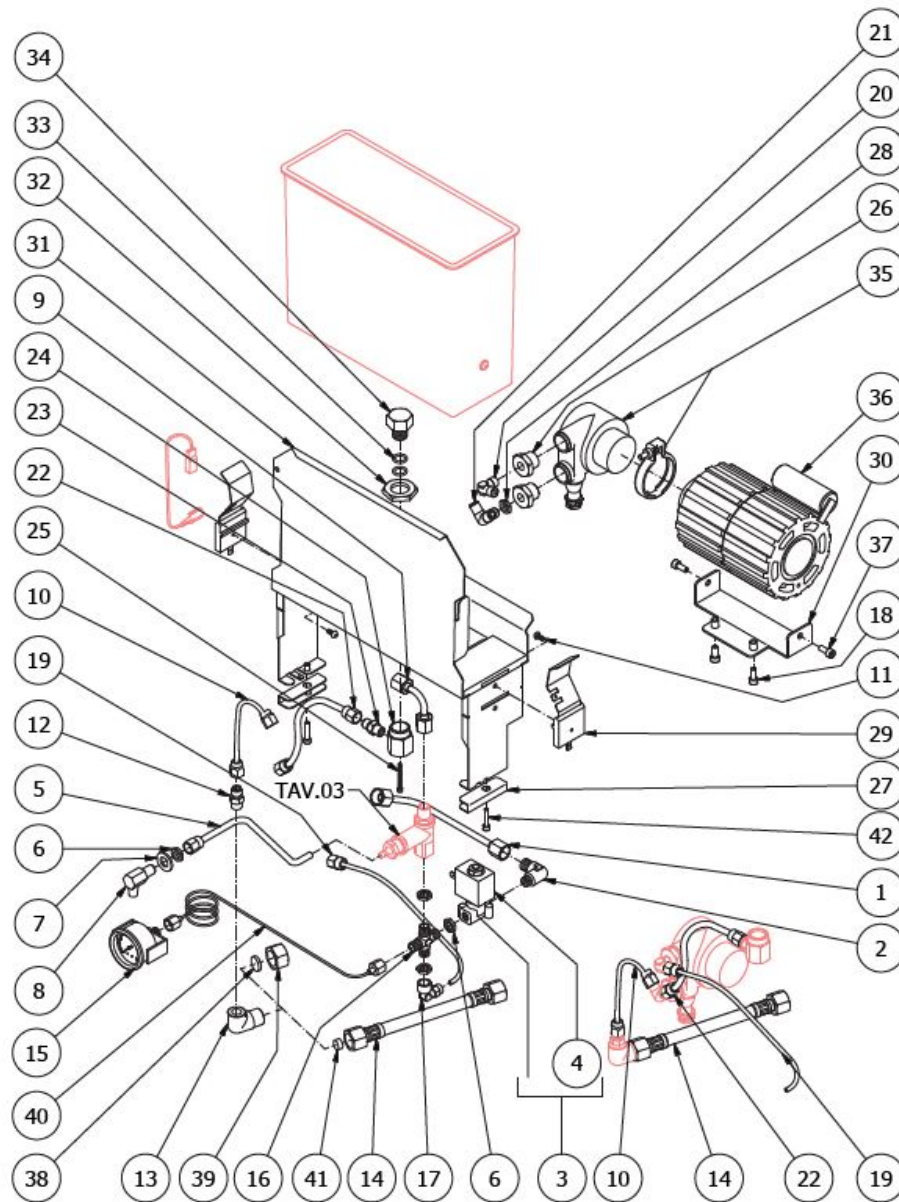


TABLE 2A - (up to 20/02/2013)
MIT1 Mod. TOP

POS	CODE	DESCRIPTION
30	5058411LL	MOTOR SUPPORT RPM W/COMPASSES
31	5963009.03	ASSEMBLY TANK SUPPORT
32	5221830	NUT M20 H5 OT
33	7496076	OR GASKET 112 EPDM 70SH
34	5226416AL	PLUG ES22 X 26.5
35	7730509	PUMP 50-70L/H+CLAMP+JOINT
36	7741005.03	ELECTRIC MOTOR 110V 25MF 50/60HZ
36	7742404.03	ELECTRIC MOTOR 220/240V 6MF 50/60HZ
37	7816027	SCREW TCEI M5X8
38	5492011	GASKET D15X3
39	5221819	CAP NUT 3/8
40	7400902	BOYLER-MANOMETER CAPILLARY
41	5471032	FILTER
42	7816005	SCREW TCEI M4X20

TABLE 2A - (up to 20/02/2013)
MIT1 Mod. TOP



BEZZERA

MITICA

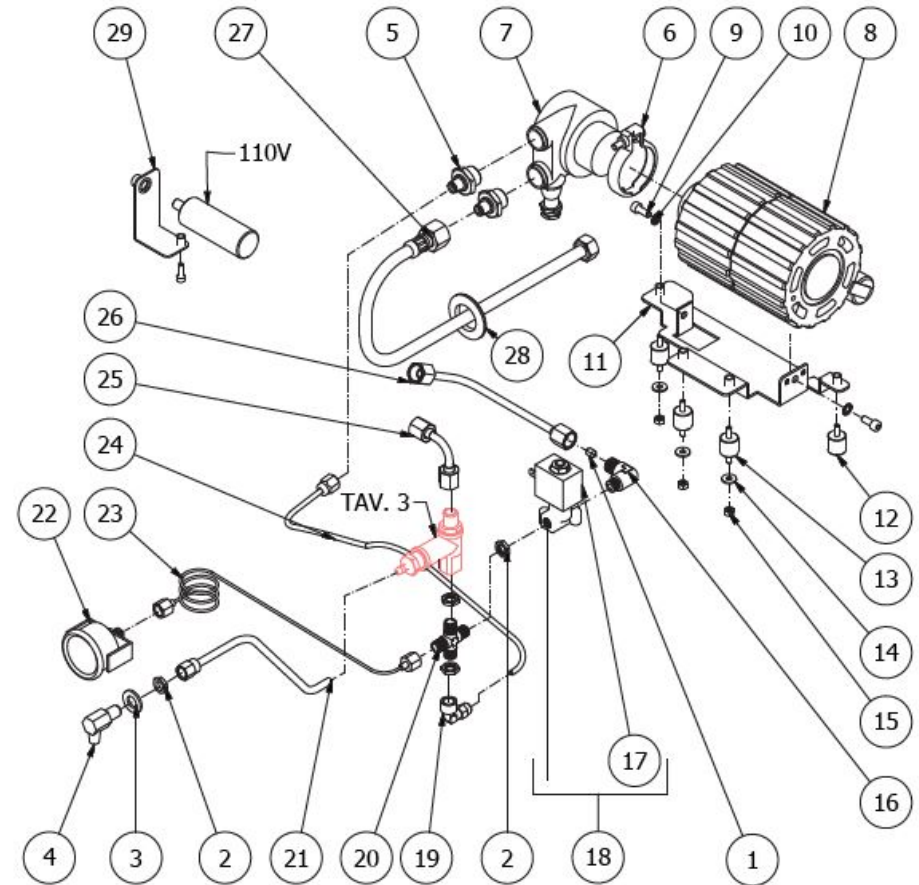
TABLE 2B - (from 02/03/2013 up to 13/09/2020)
MIT1 Mod. R

POS	CODE	DESCRIPTION
1	5223003	JET M6 X 6 HOLE D0.8 OT
2	5221844	NUT 1/8
3	7815001	WASHER D10 UNI 6592 A2
4	5283061	DRAIN FITTING 1/8"G
5	5302057AL-R	FITTING 1/8"X3/8"G
6	7611508	PUMP CLAMP
7	7730509	PUMP 50-70L/H+CLAMP+JOINT
8	7741005.03	ELECTRIC MOTOR 110V 25MF 50/60HZ
8	7742404.03	ELECTRIC MOTOR 220/240V 6MF 50/60HZ
9	7816027	SCREW TCEI M5X8
10	7814002	NOTCHED WASHER D5 DIN 6798A A2
11	5058411LL	MOTOR SUPPORT RPM W/COMPASSES
12	7474219	FEET
13	7470604	VIBRATION-DAMPING
14	7815005	FLAT WASHER D4.5X12 A2 AISI304
15	7822603	NUT M4
16	5301504AL	ELBOW FITTING M12X1/8"G OT57USA
18	7701123.01	EV.2 WAY 110V 25BAR SMALL COIL
18	7702322.01	EV.2WAY OLAB 220/230V 25BAR SMALL
18	7702415.01	EV.2 WAY 240V 25BAR SMALL COIL
19	7303034TR	UNION ELBOW 1/8
20	7304545TR	CROSS FITTING 1/8"G
21	5194508.01R	SURP.VALVE DRAIN PIPE
22	7432523	PRESSURE GAUGE D40 16BAR
23	7400902	BOYLER-MANOMETER CAPILLARY
24	5194574.01R	PTFE PIPE
25	5162236.01LL	SURPRESSION VALVE - HEAT EXCHANGER HOSE
26	5162237.01LL	BOILER LOAD HOSE
27	7200514	FLEXIBLE HOSE 3/8
28	7613004	FAIRLEAD

BEZZERA

MITICA

TABLE 2B - (from 02/03/2013 up to 13/09/2020)
MIT1 Mod. R



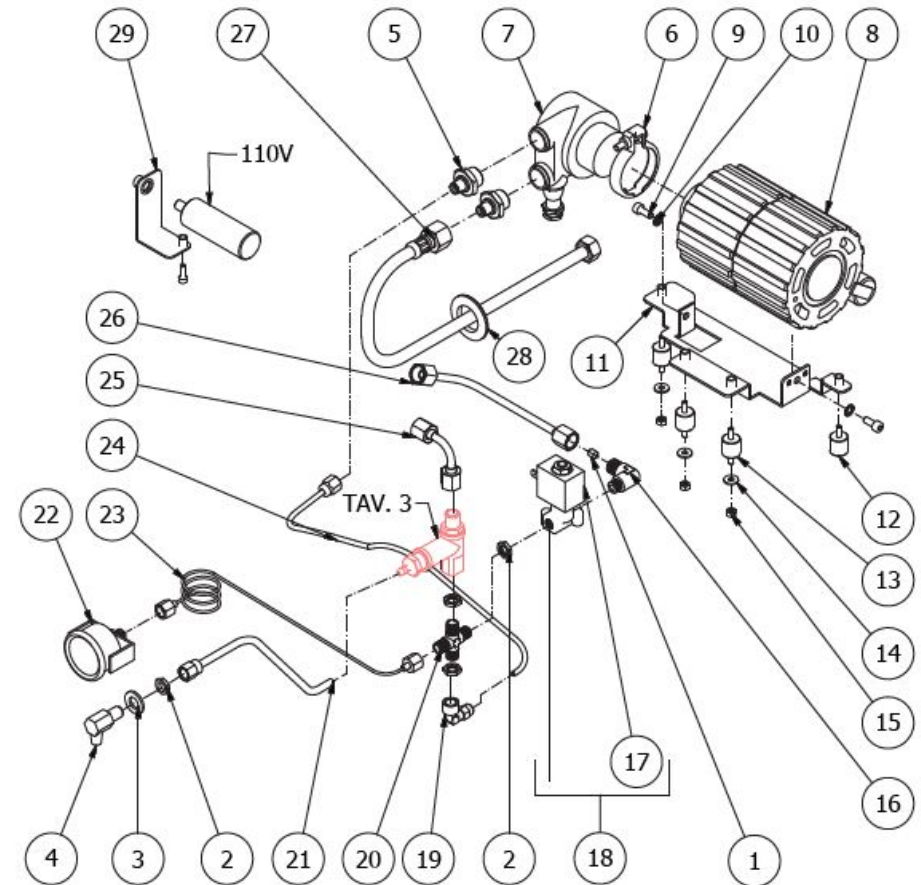
BEZZERA**MITICA**

TABLE 2B - (from 02/03/2013 up to 13/09/2020)
MIT1 Mod. R

POS	CODE	DESCRIPTION
29	5037842LL	BRACKET (only 110V versions)

BEZZERA**MITICA**

TABLE 2B - (from 02/03/2013 up to 13/09/2020)
MIT1 Mod. R



BEZZERA

MITICA

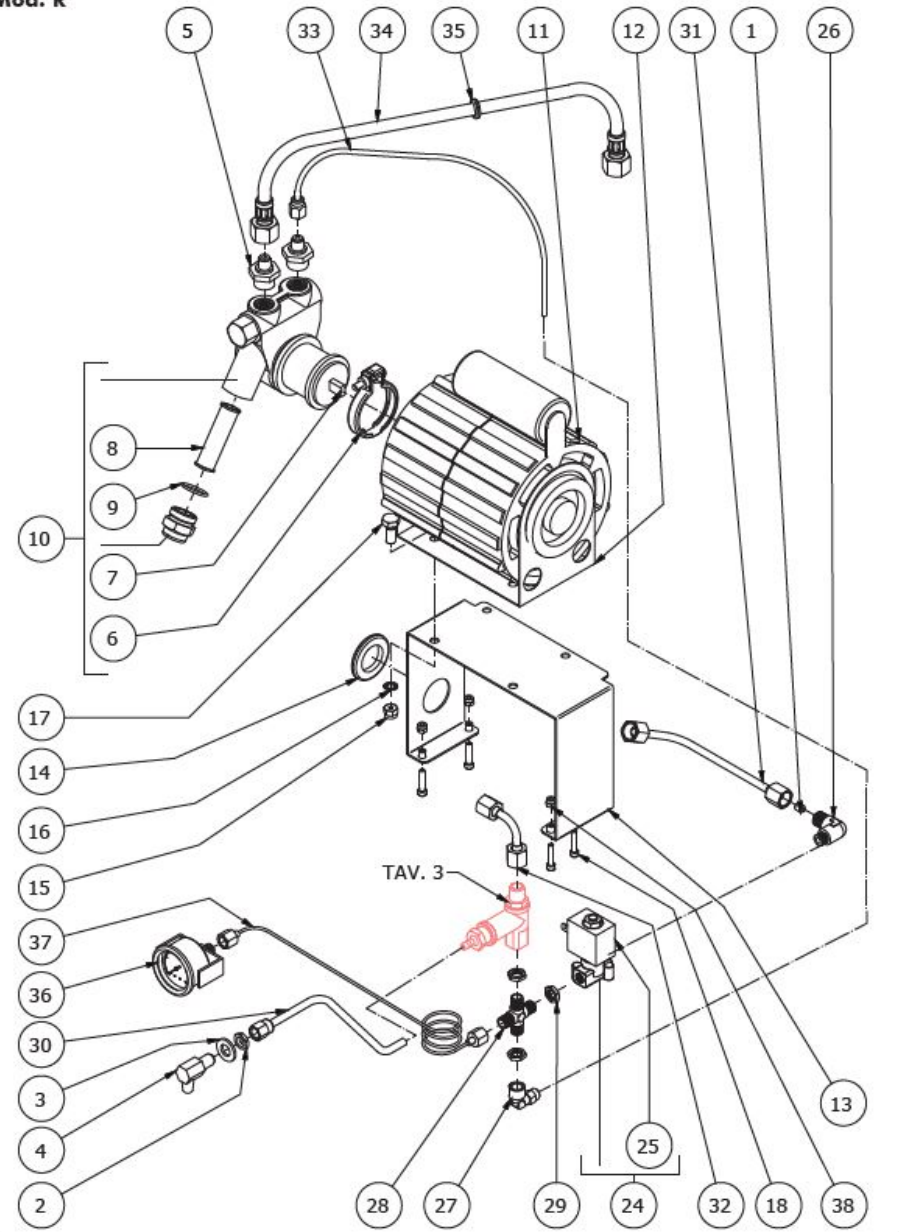
TABLE 2B - (up to 01/03/2013)
MIT1 Mod. R

POS	CODE	DESCRIPTION
1	5223003	JET M6 X 6 HOLE D0.8 OT
2	5221844	NUT 1/8
3	7815001	WASHER D10 UNI 6592 A2
4	5283061	DRAIN FITTING 1/8"G
5	5302032	STRAIGHT FITTING 1/8
6	7611508	PUMP CLAMP
7	7472401	PUMP JOINT
8	7374005	PUMP FILTER
10	7730506	PUMP 100 L/H PA104X 1-2GR
11	7741102	ELECTRIC MOTOR 110V 18MF
11	7742202.02	ELECTRIC MOTOR 220/240V 10MF
12	7479976	BRACKET MOTOR
13	5058411LL	MOTOR SUPPORT
14	7613001	FAIRLEAD P36 RUBBER
15	7802403	NUT M6 UNI 7473
16	7814005	WASHER D6
17	7816422	SCREW TE M6X14 UNI 5739 OT
18	7816005	SCREW TCEI M4X20
24	7702322.01	EV.2WAY OLAB 220/230V 25BAR SMALL
24	7702415.01	EV.2 WAY 240V 25BAR SMALL COIL
24	7701123.01	EV.2 WAY 110V 25BAR SMALL COIL
26	5301504AL	ELBOW FITTING M12X1/8"G OT57USA
27	7303034TR	UNION ELBOW 1/8
28	7304545TR	CROSS FITTING 1/8"G
29	5221844	NUT 1/8
30	5194592	DRAIN HOSE SURPRESSION VALVE
31	5162237.01LL	BOILER LOAD HOSE
32	5162236.01LL	SURPRESSION VALVE - HEAT EXCHANGER HOSE
33	5194574.01R	PTFE PIPE
34	7200514	FLEXIBLE HOSE 3/8

BEZZERA

MITICA

TABLE 2B - (up to 01/03/2013)
MIT1 Mod. R
Mod. R



BEZZERA**MITICA**

TABLE 2B - (up to 01/03/2013)

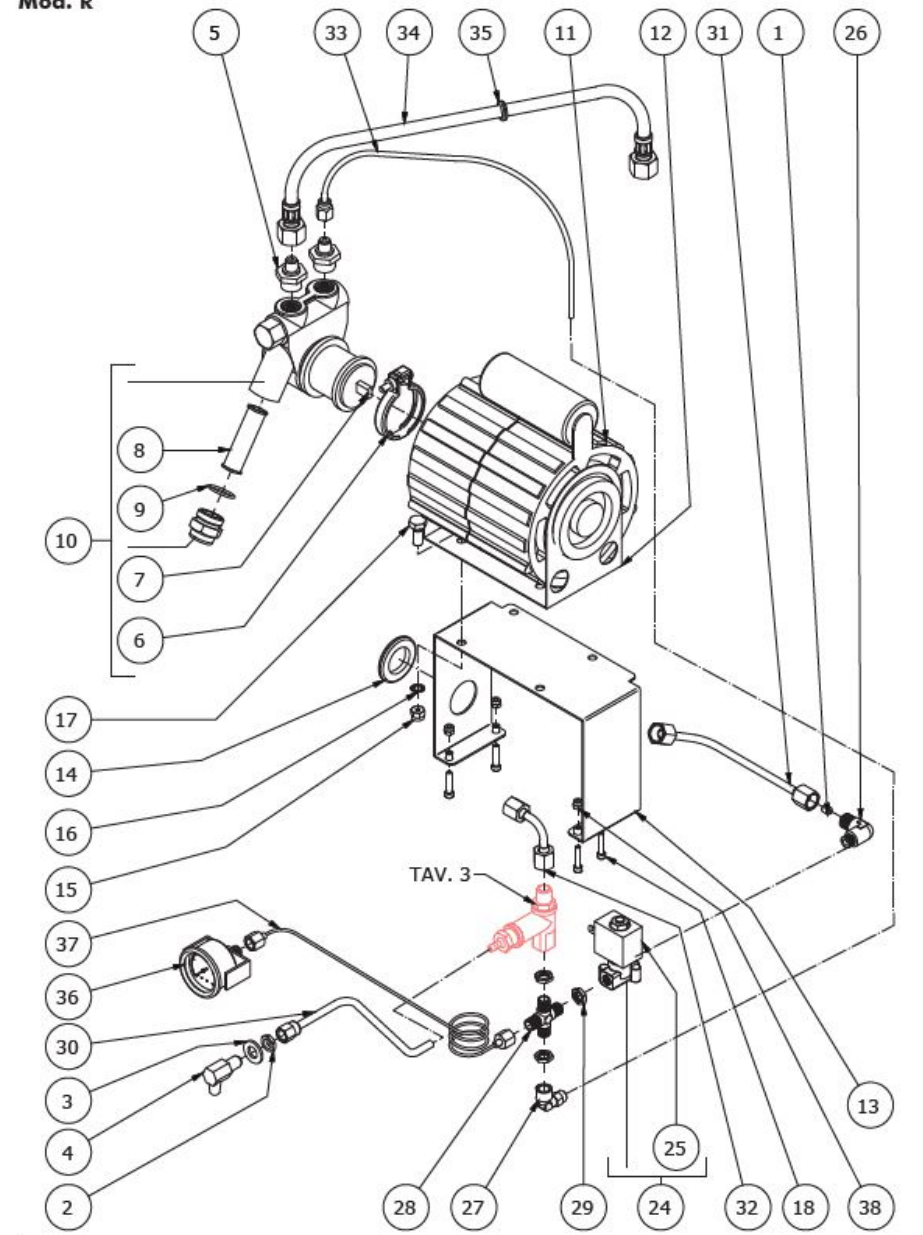
MIT1 Mod. R

POS	CODE	DESCRIPTION
35	7613004	FAIRLEAD
36	7432523	PRESSURE GAUGE D40 16BAR
37	7400902	BOYLER-MANOMETER CAPILLARY
38	7812401	NUT M4 UNI7473 A2 AUTO BLOCK

BEZZERA**MITICA**

TABLE 2B - (up to 01/03/2013)

MIT1 Mod. R

Mod. R

BEZZERA

MITICA

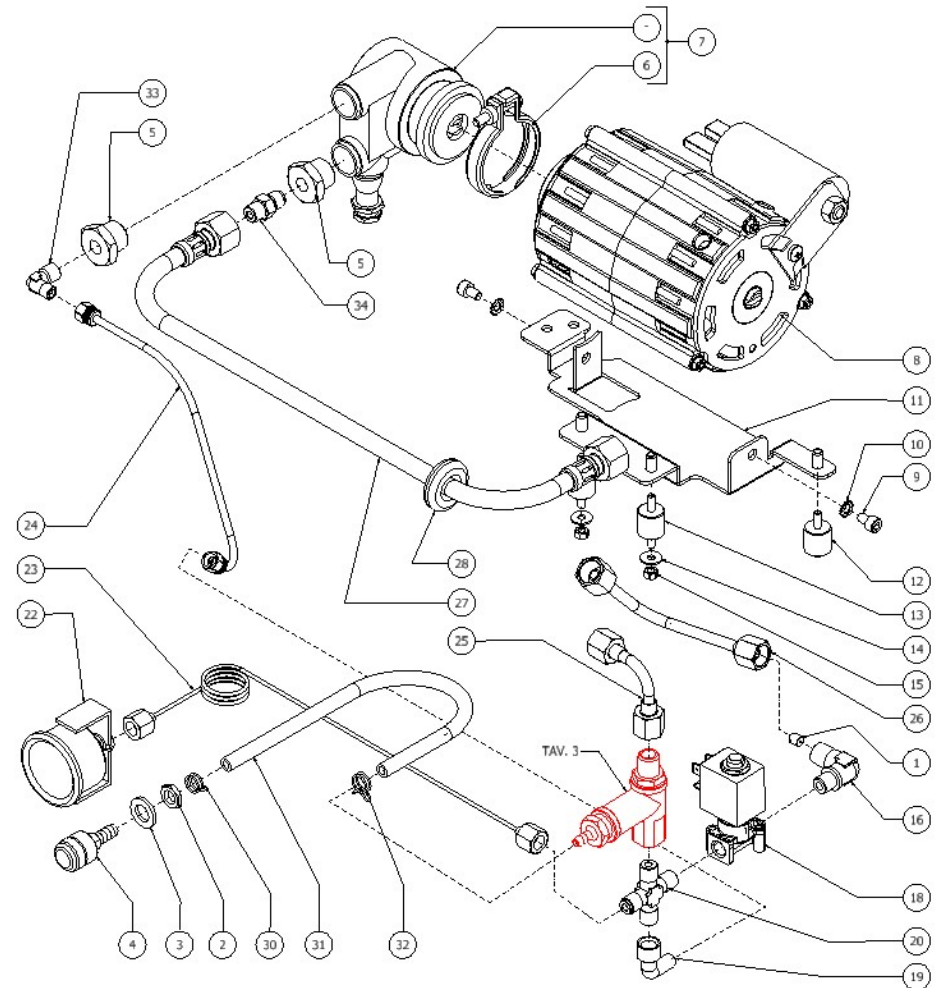
TABLE 2B - (from 14/09/2020)
MIT1 Mod. R

POS	CODE	DESCRIPTION
1	5223003	JET M6 X 6 HOLE D0.8 OT
2	5221844	NUT 1/8
3	7815001	WASHER D10 UNI 6592 A2
4	5283061	DRAIN FITTING 1/8
5	5302057AL	FITTING 1/8
6	7611508	PUMP CLAMP
7	7730509	ROTARY PUMP 50-70L/H+BAND+JOINT
8	7742404.03	ELECTRIC MOTOR 220/240V 6MF 50/60HZ
8	7741005.03	ELECTRIC MOTOR 110V 25MF 50/60HZ
9	7816027	SCREW TCEI M5X8 UNI5931 A2
10	7814002	NOTCHED WASHER D4
11	5058411LL	MOTOR SUPPORT RPM W/COMPASSES
12	7474219	FEET
13	7470604	VIBRATION-DAMPING
14	7815005	FLAT WASHER D4.5X12 A2 AISI304
15	7822603	NUT M4 OT
16	5301504AL	ELBOW FITTING M12X1/8
18	7701123.01	EV.2 WAY 110V 25BAR SMALL COIL
18	7702322.01	EV.2WAY OLAB 220/230V 25BAR SMALL
18	7702415.01	EV.2 WAY 240V 25BAR SMALL COIL
19	7303063TR	ELBOW FITTING BODY 1/8"
20	7304545TR	CROSS FITTING 1/8
22	7432523	PRESSURE GAUGE D40 16BAR NEUTRAL
23	7400909	PUMP CAPELLARY
24	5194601.01LL	PUMP PIPE/EV PTFE L=250
25	5162236.01LL	SURPRESSION VALVE - HEAT EXCHANGER
26	5162497LL	BOILER LOAD PIPE
27	7200514	FLEXIBLE HOSE 3/8
28	7613004	FAIRLEAD WITH HOLE RUBBER
30	7611512	CLAMP

BEZZERA

MITICA

TABLE 2B - (from 14/09/2020)
MIT1 Mod. R



BEZZERA**MITICA**

TABLE 2B - (from 14/09/2020)
MIT1 Mod. R

POS	CODE	DESCRIPTION
31	5194540	SILICON PIPE D8X5X1.5 L=300
32	7611516	CLAMP 10086
33	7303062TR	ELBOW FITTING BODY M1/8
34	7304502TR	STRAIGHT FITTING 1/8

BEZZERA**MITICA**

TABLE 2B - (from 14/09/2020)
MIT1 Mod. R

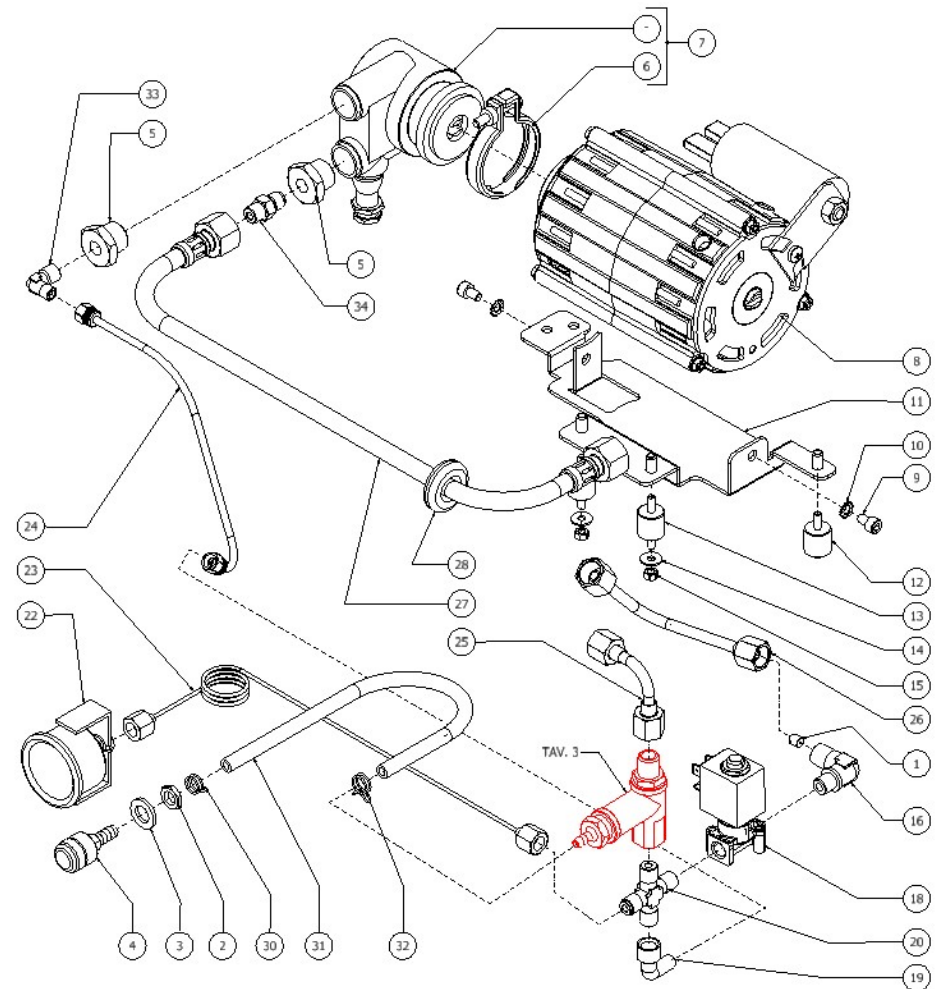


TABLE 3 - (up to 30/10/2012)
MIT1

POS	CODE	DESCRIPTION
1	5302017AL	FITTING M12 ES16 H26.5 OT57USA
2	5471505	SPRING
3	5224615AL	GASKET-HOLDER SURP.VALVE OT57USA
4	7496018	OR GASKET 105 VITON
5	5965212.01AL	ASSY OPV ADJUST. 9/12 BAR
6	5493001	GASKET D8 X 4 EPT 70SH
7	5224619AL	GASKET-HOLDER
8	5471506.01	CALIBRATED SPRING D1 H26 AISI 302
9	7496052	OR GASKET 114
10	5302072	RUBBER-HOLDER FITTING
11	5965212.01AL	ASSY OPV ADJUST. 9/12 BAR

TABLE 3 - (up to 30/10/2012)
MIT1

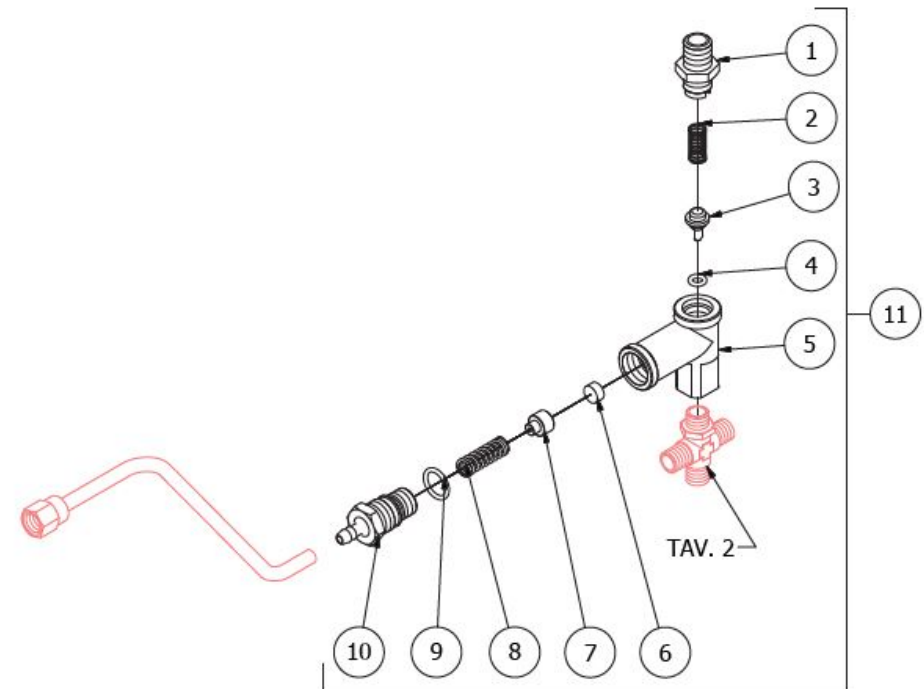


TABLE 3 - (from 31/10/2012)
MIT1

POS	CODE	DESCRIPTION
1	5302077AL	FITTING PORT.M14X1 OTXTUBO6X4 OT57U
2	5471539	CALIBRATED SPRING D.1.6
3	7496052	OR GASKET 114 VITON
4	5224620AL	GASKET-HOLDER ES.12X6.8 OT57USA
5	7496018	OR GASKET 105
6	5283053TP	SURPRESSION VALVE BODY
7	5224615AL	GASKET-HOLDER SURP.VALVE OT57USA
8	5471505	CALIBRATED SPRING D0.45 H22 AISI302
9	5302017AL	FITTING M12 ES16 H26.5 OT57USA
10	5965212.01AL	ASSY OPV ADJUST. 9/12 BAR
11	5493042	GASKET D.11X3
12	5471019	FILTER D8,5X5 AISI304

TABLE 3 - (from 31/10/2012)
MIT1

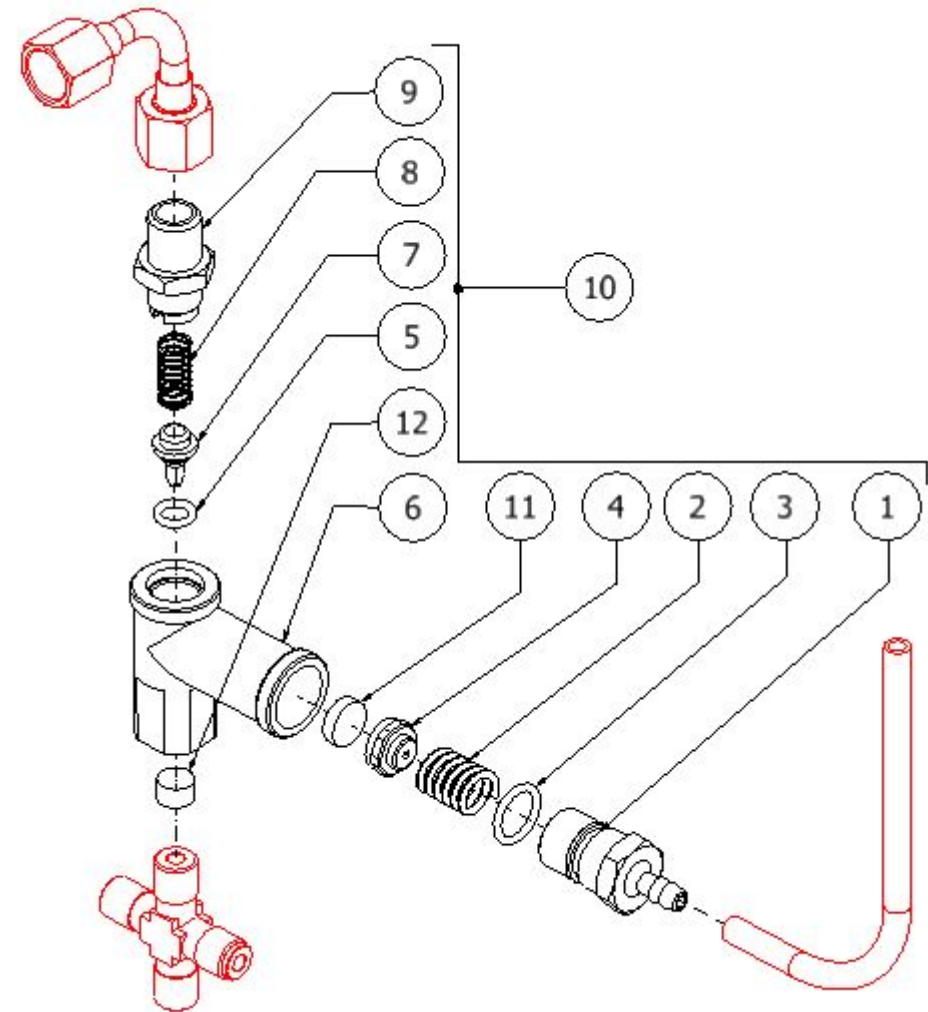


TABLE 4 - (up to 31/03/2021)
MIT1

POS	CODE	DESCRIPTION
1	7432522	PRESSURE GAUGE D40 3BAR
2	7400908	BOILER CAPILLARY
3	5162234LL	STEAM TAP HOSE
3	5162395LL	STEAM TAP HOSE (PID version)
4	5302005AL	FITTING M13X3/8"G ES22 H30 OT57USA
4	5225412AL	FITTING FOR TEMPERATURE PROBE
5	5265819	LEVEL PROBE D3 X 80 X 6.3
6	5265812	MINIMUM LEVEL PROBE D3 X 110 X 4.8
7	5225205	STRAIGHT FITTING M10 OT
8	5192001	PROBE SHEATH D8 X 45 HOLE D3 PTFE
9	7452511.01	ANTI-PRESSURE VALVE RC OT + TF
10	5301521TR	UNION ELBOW 1/8
11	5162239.02LL	VALVE PIPE
12	7452510.02R	ASSEMBLY SAFETY VALVE
12	7452509.02	SAFETY VALVE (from 01.03.11)
13	5162233LL	WATER TAP HOSE
14	7433013	PRESSOSTAT XP/100 1/4
15	5162288.01LL-R	PRESSURE SWITCH HOSE
16	5302064	FITTING M/F M13x1 (up to 04.10.2012)
17	5301520TR	UNION ELBOW 1/8
18	5320501.02BL	ASSEMBLY BOILER POLISHED
19	7434009	THERMOSTAT MANUAL 16A 135°C
20	5227007	DOWEL M8 X 6 HOLE M4
21	5492008	GASKET D10.5 X 2
22	5221813	CAP NUT M12
23	5492025	GASKET D42x32x2 PTFE
24	5721127AL	COPPER HEATING ELEMENT 110V 1350W
24	5722240.01AL	HEATING ELEMENT 220/240V-1250/1450W
25	5163204LL	BOTTOM HEATING HOSE
26	5164067.01LL	UPPER HEATING HOSE

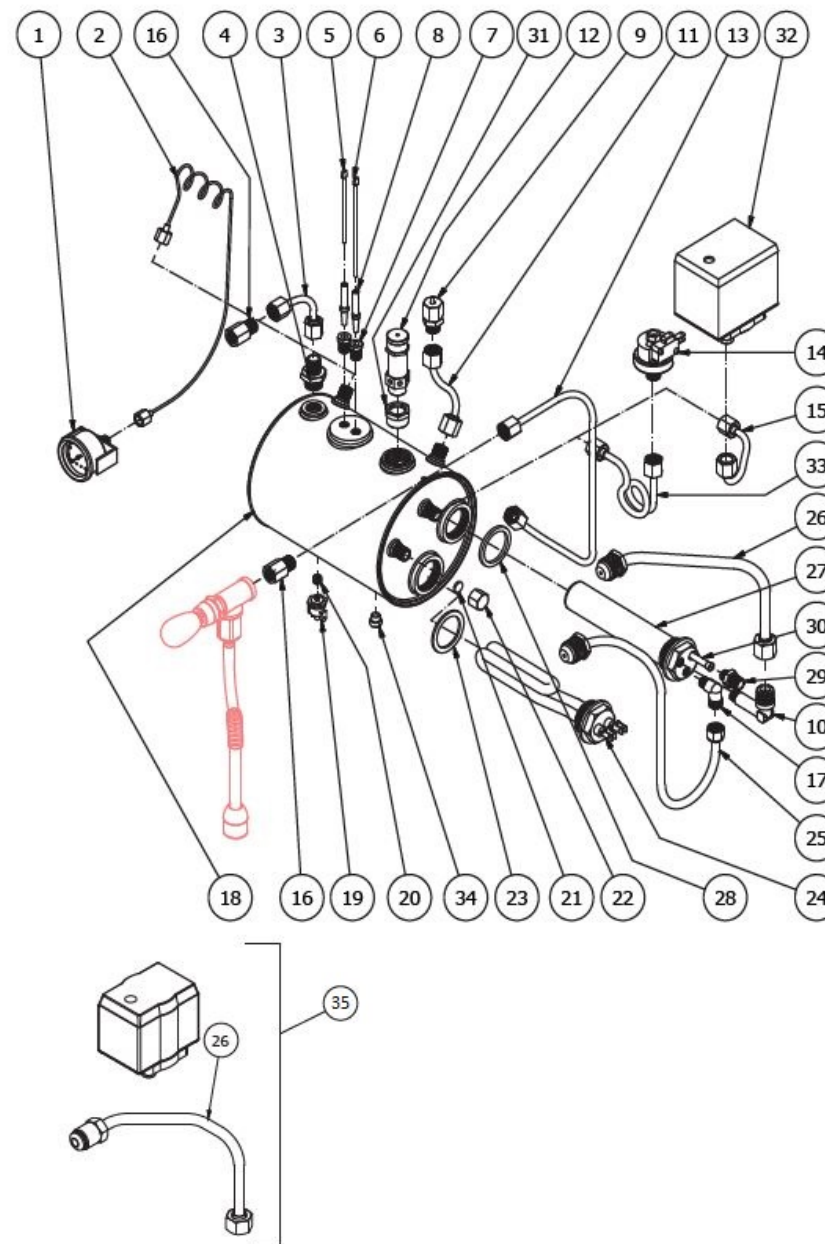
TABLE 4 - (up to 31/03/2021)
MIT1

TABLE 4 - (up to 31/03/2021)
MIT1

POS	CODE	DESCRIPTION
26	5164090LL	UPPER HEATING HOSE (only TOP version)
27	5329020DC-AL	SCAMBIATORE 3 FORI
28	5495007	GASKET D32 X 3 BRASS
29	5302006AL	FITTING M12X1/8"G ES15 H23 OT57USA
30	5192301	SUCTION HOSE D6 L=130MM PTFE
31	5225413AL	REDUCTION 1/2"GX3/8"G ES22 OT57USA
32	7433001	PRESSURE SWITCH 30A (only TOP version from 14.03.17)
33	5162235R	PRESSURE SWITCH HOSE
34	5227002	SCREW M8 X 6 OT
35	5963145	PRESSOSTAT KIT 30A+HEATED TUBE (only TOP version up to 13.03.17)

TABLE 4 - (up to 31/03/2021)
MIT1

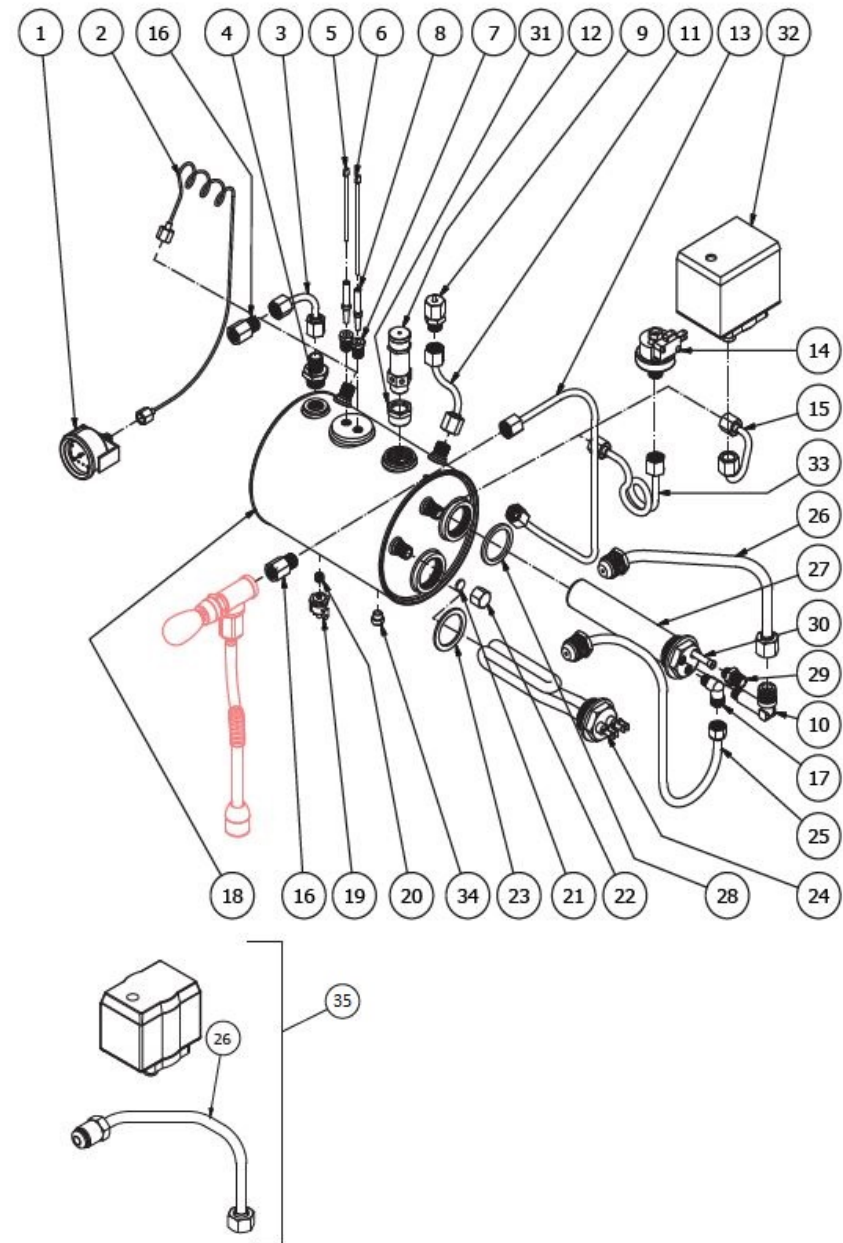


TABLE 4 - (from 07/10/2025)
MIT1

POS	CODE	DESCRIPTION
1	7432522	PRESSURE GAUGE D40 3BAR
2	7400908	BOILER CAPILLARY
2	7400910	BOILER CAPILLARY PID VERSION
3	5162234.01LL	STEAM TAP HOSE
3	5162395.01LL	STEAM TAP HOSE PID VERSION
4	5302005AL	STRAIGHT FITTING 3/8
4	5225412AL	FITTING FOR TEMPERATURE PROBE PID VERSION
5	5265826	LEVEL PROBE
7	5225205	STRAIGHT FITTING M10 OT
8	5192001	PROBE SHEATH D8 X 45 HOLE D3 PTFE
9	7452511.01	ANTI-PRESSURE VALVE RC OT + TF
10	5301521TR	UNION ELBOW 1/8
11	5162239.02LL	VALVE HOSE
12	7452510.02R	ASSEMBLY SAFETY VALVE
13	5162496.01LL	WATER PIPE
14	7433013	PRESSOSTAT XP/100 1/4
17	5301520TR	UNION ELBOW 1/8
18	5320501.02BL	ASSEMBLY BOILER POLISHED
19	7434009	THERMOSTAT MANUAL 16A 135°C
20	5227007	DOWEL M8 X 6 HOLE M4
21	5492008	GASKET D10.5 X 2
22	5221813	CAP NUT M12
23	5492025	GASKET D42x32x2 PTFE
24	5721127AL	COPPER HEATING ELEMENT 110V 1350W
24	5722240AL	HEATING ELEMENT 220/240V-1250/1450W OT60
25	5163204LL	BOTTOM HEATING HOSE
26	5164067.01LL	UPPER HEATING HOSE
27	5329020DC-AL	EXCHANGER 3 HOLES
28	5495007	GASKET D32 X 3 BRASS
29	5302006AL	STRAIGHT FITTING 1/8

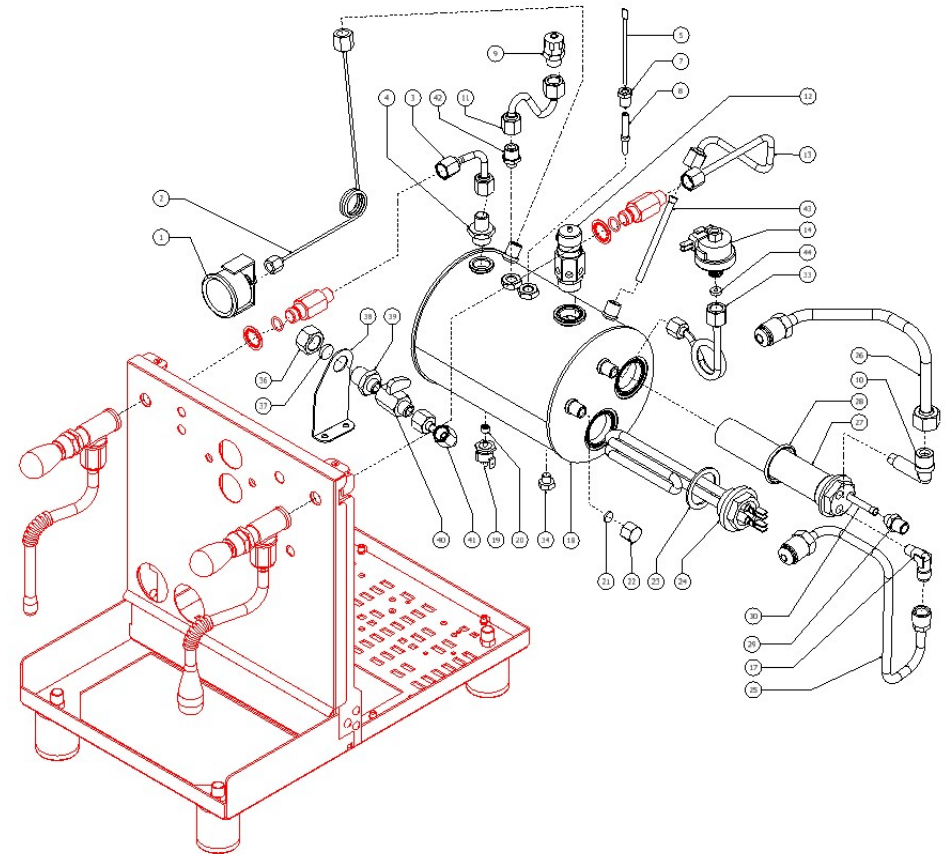
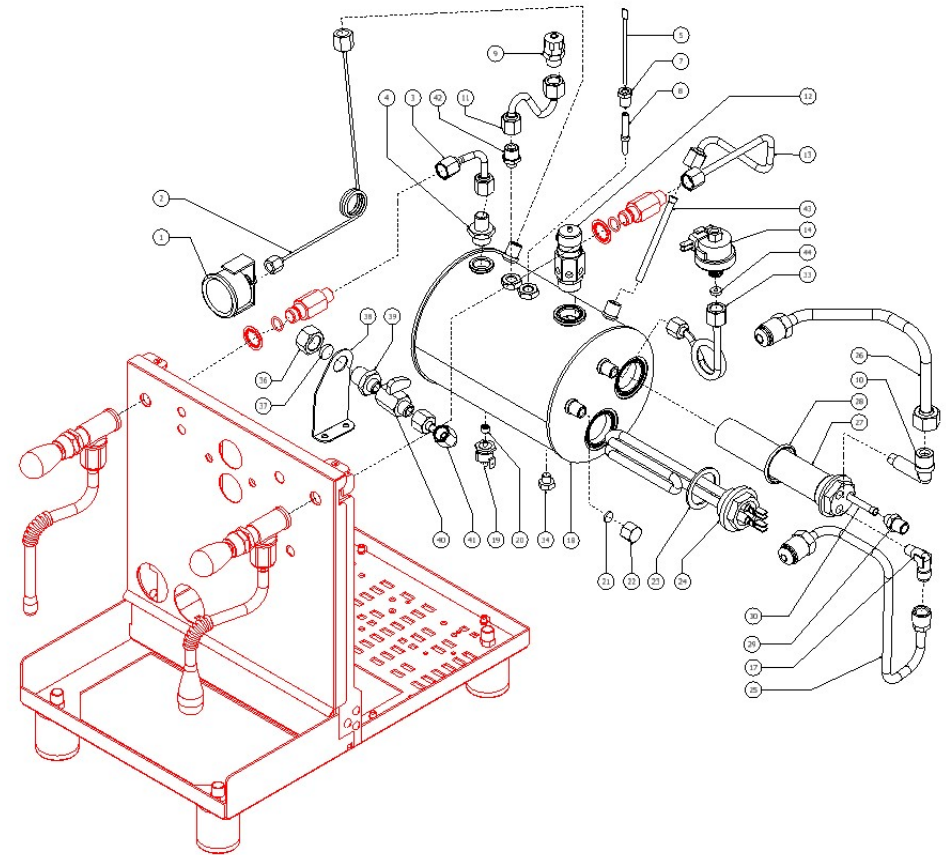
TABLE 4 - (from 07/10/2025)
MIT1

TABLE 4 - (from 07/10/2025)
MIT1

POS	CODE	DESCRIPTION
30	5192301	SUCTION HOSE D6 L=130MM PTFE
33	5162235.01LL	PRESSURE SWITCH HOSE
34	5227012	SCREW TE M8X7.5
36	5221819	CAP NUT 3/8
37	5492011	GASKET D15X3 ASBESTOS FREE
38	5058505LL	BOILER DRAIN SUPPORT W/COMPASSES
39	5302035AL	FITTING 3/8
40	7451504	BALL VALVE MINIBALL 1/4
41	5162498LL	BOILER DRAIN PIPE
42	5302092AL	FITTING M13-M10
43	5192325	DRAW OUT D6X1
44	5492028	GASKET D10.5X4X3

TABLE 4 - (from 07/10/2025)
MIT1



BEZZERA

MITICA

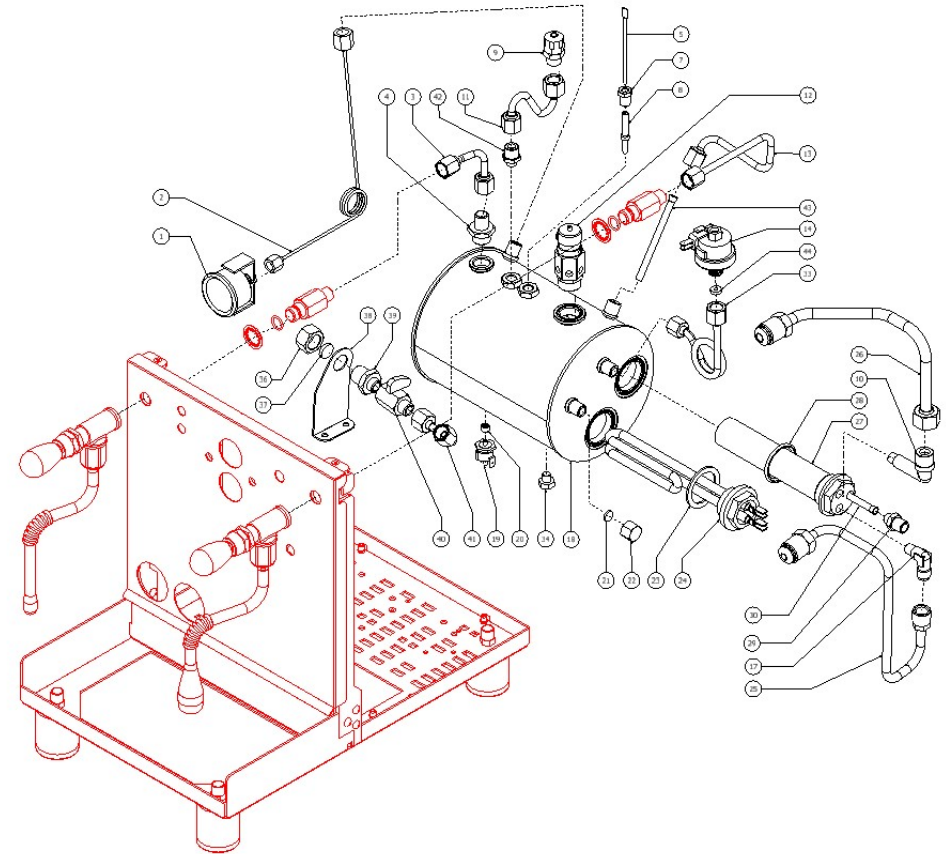
TABLE 4 - (from 01/04/2021 up to 06/10/2025)
MIT1

POS	CODE	DESCRIPTION
1	7432522	PRESSURE GAUGE D40 3BAR
2	7400908	BOILER CAPILLARY
2	7400910	BOILER CAPILLARY PID VERSION
3	5900035	STEAM HOSE AND FITTING KIT – STREGA MAGICA MITICA BZ16
3	5900037	STEAM HOSE AND FITTING KIT – MAGICA MITICA BZ16
4	5302005AL	STRAIGHT FITTING 3/8
4	5225412AL	FITTING FOR TEMPERATURE PROBE PID VERSION
5	5265826	LEVEL PROBE
7	5225205	STRAIGHT FITTING M10 OT
8	5192001	PROBE SHEATH D8 X 45 HOLE D3 PTFE
9	7452511.01	ANTI-PRESSURE VALVE RC OT + TF
10	5301521TR	UNION ELBOW 1/8
11	5162239.02LL	VALVE HOSE
12	7452510.02R	ASSEMBLY SAFETY VALVE
13	5900036	WATER HOSE AND FITTING KIT – MAGICA MITICA BZ16
14	7433013	PRESSOSTAT XP/100 1/4
17	5301520TR	UNION ELBOW 1/8
18	5320501.02BL	ASSEMBLY BOILER POLISHED
19	7434009	THERMOSTAT MANUAL 16A 135°C
20	5227007	DOWEL M8 X 6 HOLE M4
21	5492008	GASKET D10.5 X 2
22	5221813	CAP NUT M12
23	5492025	GASKET D42x32x2 PTFE
24	5721127AL	COPPER HEATING ELEMENT 110V 1350W
24	5722240.01AL	HEATING ELEMENT 220/240V-1250/1450W OT60
25	5163204LL	BOTTOM HEATING HOSE
26	5164067.01LL	UPPER HEATING HOSE
27	5329020DC-AL	EXCHANGER 3 HOLES
28	5495007	GASKET D32 X 3 BRASS
29	5302006AL	STRAIGHT FITTING 1/8

BEZZERA

MITICA

TABLE 4 - (from 01/04/2021 up to 06/10/2025)
MIT1



BEZZERA**MITICA**

TABLE 4 - (from 01/04/2021 up to 06/10/2025)

MIT1

POS	CODE	DESCRIPTION
30	5192301	SUCTION HOSE D6 L=130MM PTFE
33	5162235.01LL	PRESSURE SWITCH HOSE
34	5227012	SCREW TE M8X7.5
36	5221819	CAP NUT 3/8
37	5492011	GASKET D15X3 ASBESTOS FREE
38	5058505LL	BOILER DRAIN SUPPORT W/COMPASSES
39	5302035AL	FITTING 3/8
40	7451504	BALL VALVE MINIBALL 1/4
41	5162498LL	BOILER DRAIN PIPE
42	5302092AL	FITTING M13-M10
43	5192325	DRAW OUT D6X1
44	5492028	GASKET D10.5X4X3

BEZZERA**MITICA**

TABLE 4 - (from 01/04/2021 up to 06/10/2025)

MIT1

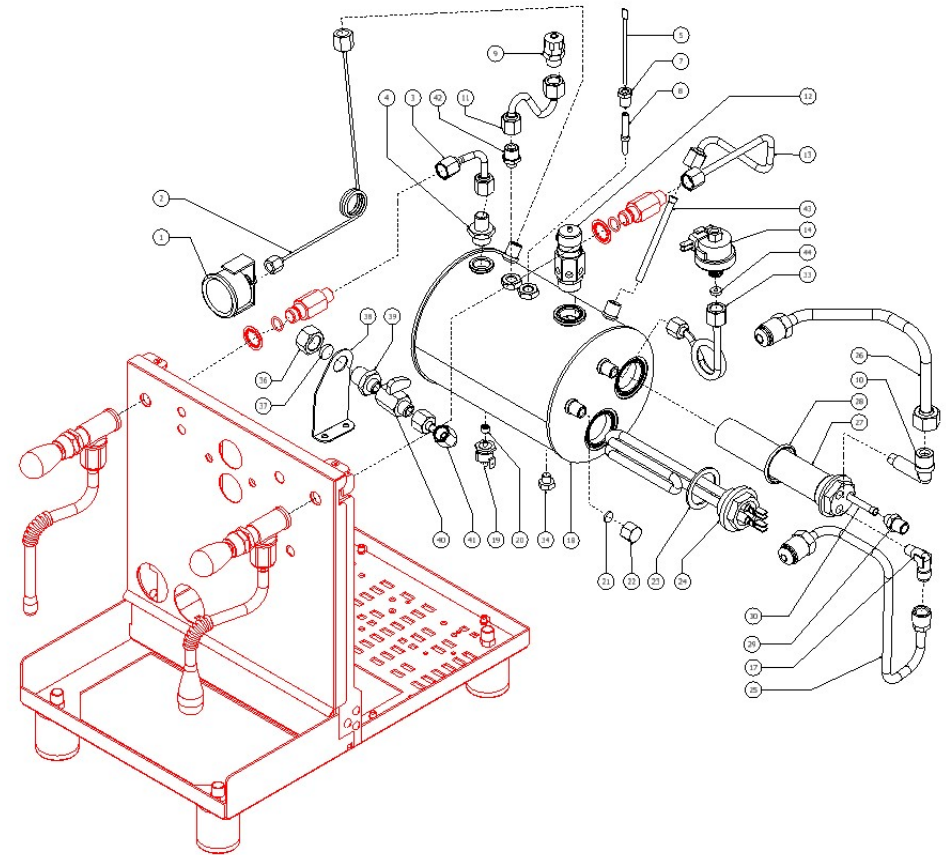


TABLE 5
MIT1

POS	CODE	DESCRIPTION
1	7479952DL	UPPER ASSY PLUG
2	7479953	GASKET TF 22X17X2
3	7479954	INOX FILTER D8,5X22
4	7479955.01	INJECTOR M6X0,75 HOLE D0,7
5	7479956.01	UPPER SLEEVE ASSY
6	7479933.01	INJECTOR D0.7 UPPER SLEEVE ASSY
7	7479934	GASKET OR 128 VITON
8	7479935	GASKET TF D35X30X2
9	7479936	DELIVERY VALVE SPRING
10	7479937	DELIVERY VALVE ASSY
11	7479940AL	DELIVERY GROUP BODY
12	7493011	INSULATING
13	5267013	TIE ROD M8 X 31 ASTM A193
14	7811402	NUT M8 UNI5587 A2
15	7479938	GASKET TF D10X6X1
16	7479939	SCREW TCE M6X8
17	7479951	CAM STOP PIN </td
18	7479950	CAM SHAFT </td
19	7479949	CAM FLANGE ASSY </td
20	7371511.01	LEVER KNOB
21	7479931	DELIVERY LEVER
22	7479947	WASHER D8
23	7479948	CAP D15XM6
24	7479946	ASSEMBLY VALVE
25	7479942	SPRING GUIDE BUSHING
26	7479957	LOWER SLEEVE ASSY
27	7479943	ASSEMBLY RELIEF VALVE
28	7479944	DRAIN SPRING
29	7479945	JET-BREAKER BUSHING D15X6
30	7479960	GASKET TF D26x21x2

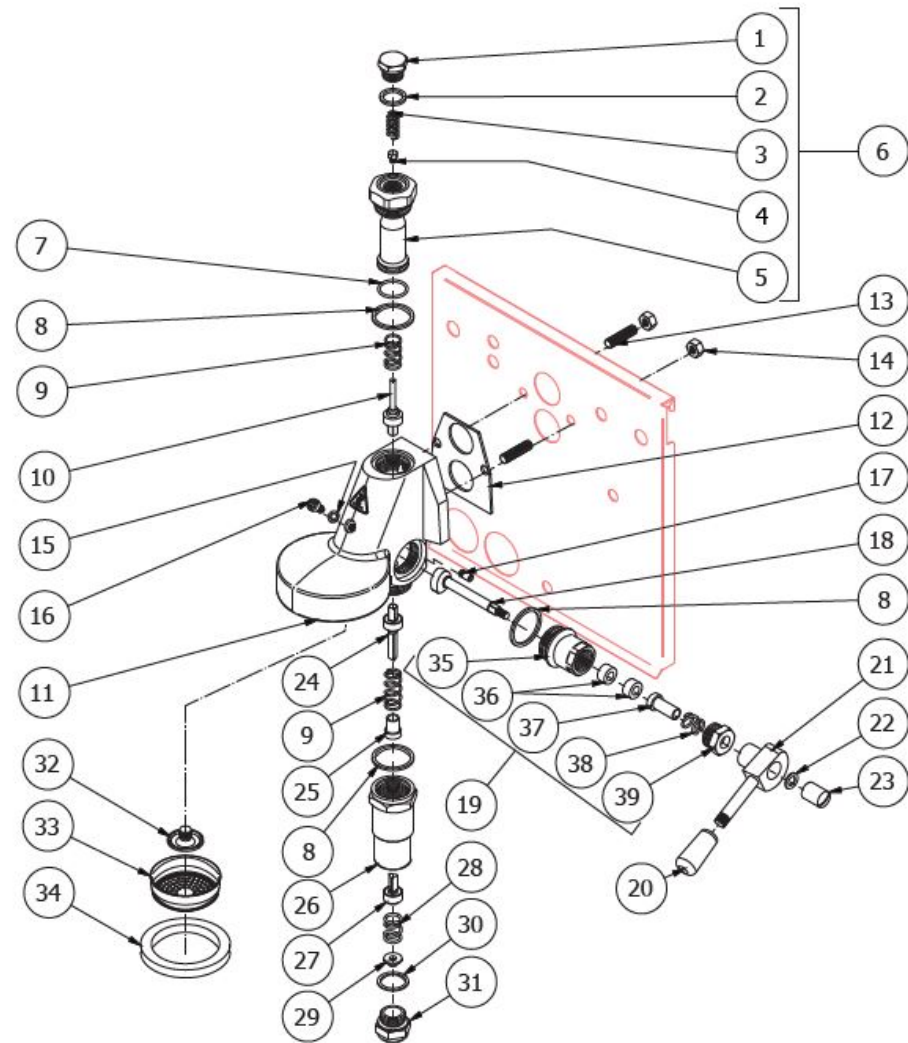
TABLE 5
MIT1

TABLE 5
MIT1

POS	CODE	DESCRIPTION
31	7479961	GROUP BOTTOM FITTING
32	7479941	SPRAYER D30
33	5471022	SHOWER FILTER
34	5493039	UNDERCUP GASKET
35	7479967	CAM FLANGE
36	7479968	WASHER EP709 15,5X7,5X4
37	7479969	BUSHING
38	7479970	SPRING
39	7479971	PLUG CHROMED

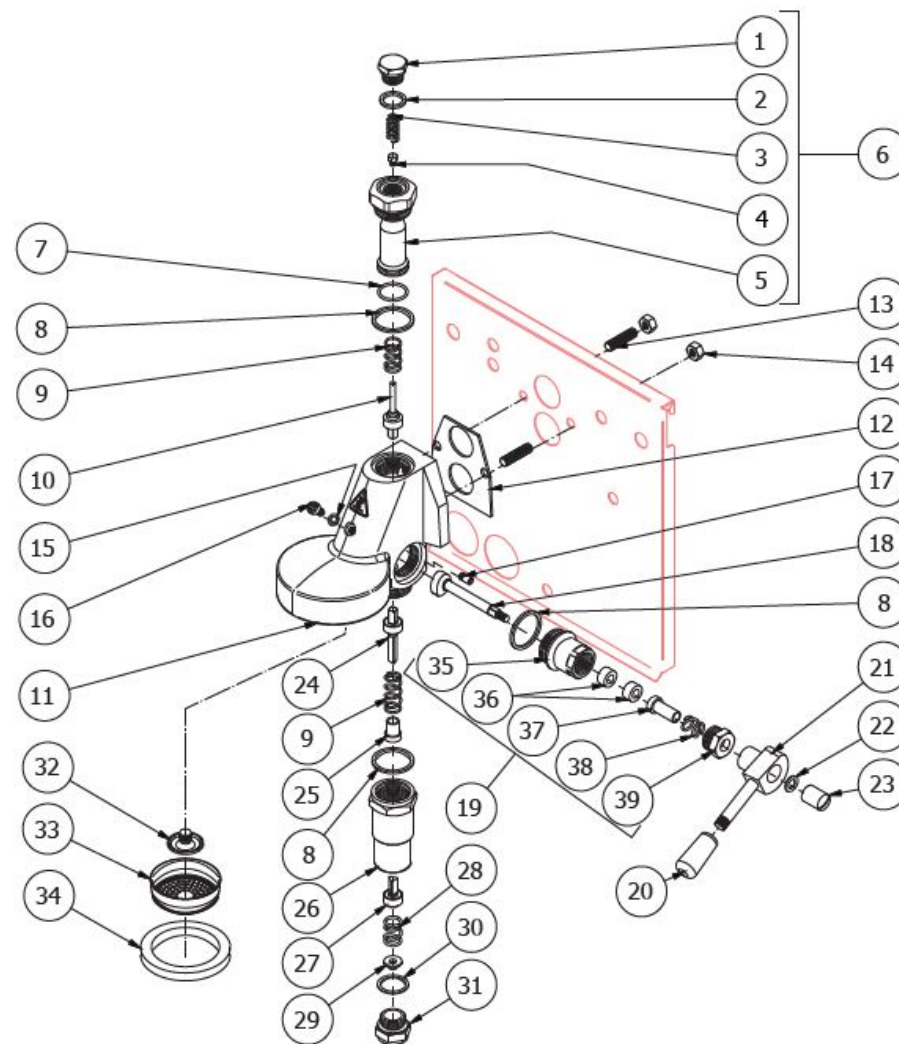
TABLE 5
MIT1

TABLE 5A - (from 10/12/2018 up to 06/10/2025)
MIT1

POS	CODE	DESCRIPTION
1	7371511.01	LEVER KNOB
2	5262801.01	FERRULE 3/8" G H17 STAINLESS STEEL
3	5221826CM	NUT 3/8
4	5225610	ARTICULATION M8 INOX
5	5260204DL	SHAFT D12X47
6	5471513	SPRING
7	5261801	WASHER D11
8	5494004	GASKET D12 X 6 PTFE GRAPHITIZED
9	5283055TW	TAP BODY OT FOR OR
10	5496042	GASKET D11X4X4 EPT 70 (C6)
11	5224603AL	GASKET-HOLDER
12	5964085.02AL	TAP COMPLETE WITHOUT HOOKING
13	7496052	OR GASKET 114
14	5900037	STEAM HOSE AND FITTING KIT - MAGICA MITICA BZ16
14	5900035	STEAM HOSE AND FITTING KIT - STREGA MAGICA MITICA BZ16
15	5494021	NUT GASKET PTFE H=1,5
16	5471532.01	SPRING
17	5190501	COMPLETE CUP
18	7496095	OR GASKET 6X1.2 EPDM70
19	5221872.01	NUT 3/8
20	7371004	INSULATING
21	7496084	GASKET OR D6,4X1,9 NBR70
22	5966566	WATER TUBE SEMISPHERE 14.3
24	5266609	STEAM TERMINAL 2 WAYS AISI303
25	7479990.03	STEAM TUBE TERMINAL 2 HOLES SPHERE 14,3
29	7496073.01	GASKET OR 115 EP856
30	7814201	WASHER 14 DIN6798J A2
31	5226601TW	WATER HOSE TERMINAL
32	5900036	WATER HOSE AND FITTING KIT - MAGICA MITICA BZ16

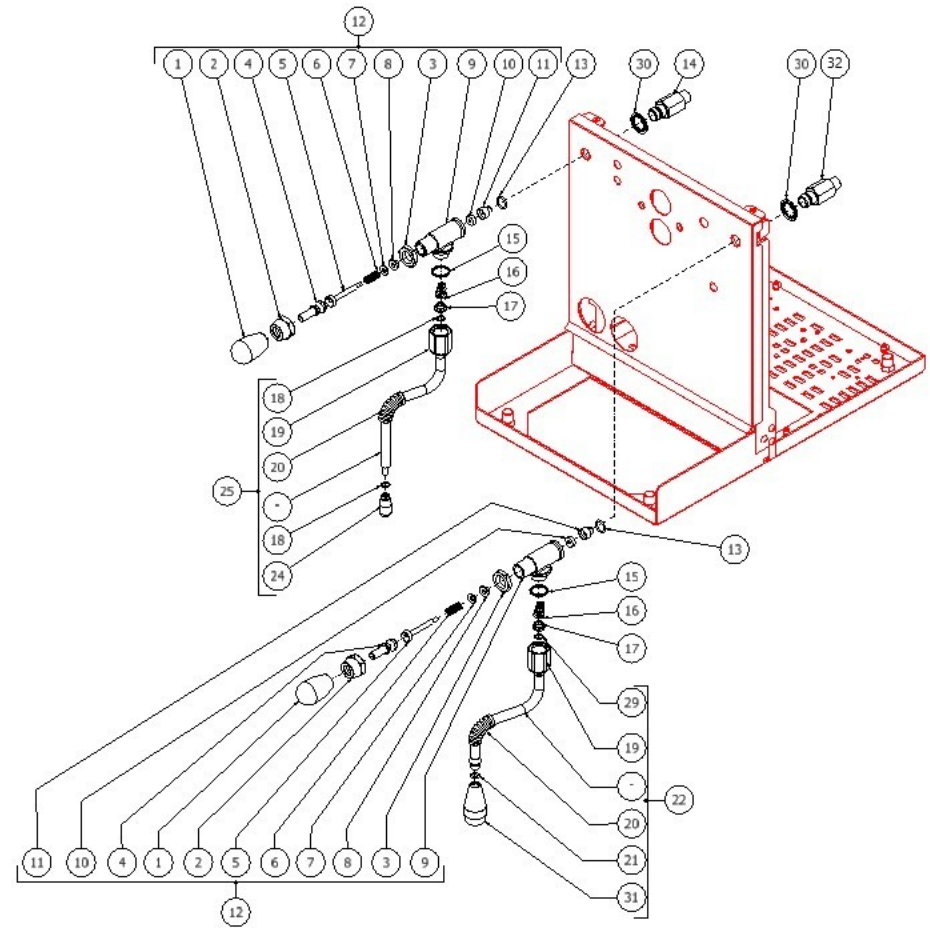
TABLE 5A - (from 10/12/2018 up to 06/10/2025)
MIT1

TABLE 5A - (from 07/10/2025)
MIT1

POS	CODE	DESCRIPTION
1	7371511.01	LEVER KNOB
2	5262801.01	FERRULE 3/8"G H17 STAINLESS STEEL
3	5221826CM	NUT 3/8
4	5225610	ARTICULATION M8 INOX
5	5260204DL	SHAFT D12X47
6	5471513	SPRING
7	5261801	WASHER D11
8	5494004	GASKET D12 X 6 PTFE GRAPHITIZED
9	5283055TW	TAP BODY OT FOR OR
10	5496042	GASKET D11X4X4 EPT 70 (C6)
11	5224603AL	GASKET-HOLDER
12	5964085.02AL	TAP COMPLETE WITHOUT HOOKING
13	7496052	OR GASKET 114
14	5225416.01AL	FITTING M14XM13 ES19 H31 WITHOUT OR
15	5494021	NUT GASKET PTFE H=1,5
16	5471532.01	SPRING
17	5190501	COMPLETE CUP
18	7496095	OR GASKET 6X1.2 EPDM70
19	5221872.01	NUT 3/8
20	7371004	INSULATING
21	7496084	GASKET OR D6,4X1,9 NBR70
22	5966566	WATER TUBE SEMISPHERE 14.3
24	5266609	STEAM TERMINAL 2 WAYS AISI303
25	7479990.03	STEAM TUBE TERMINAL 2 HOLES SPHERE 14,3
29	7496073.01	GASKET OR 115 EP856
30	7814201	WASHER 14 DIN6798J A2
31	5226601TW	WATER HOSE TERMINAL

TABLE 5A - (from 07/10/2025)
MIT1

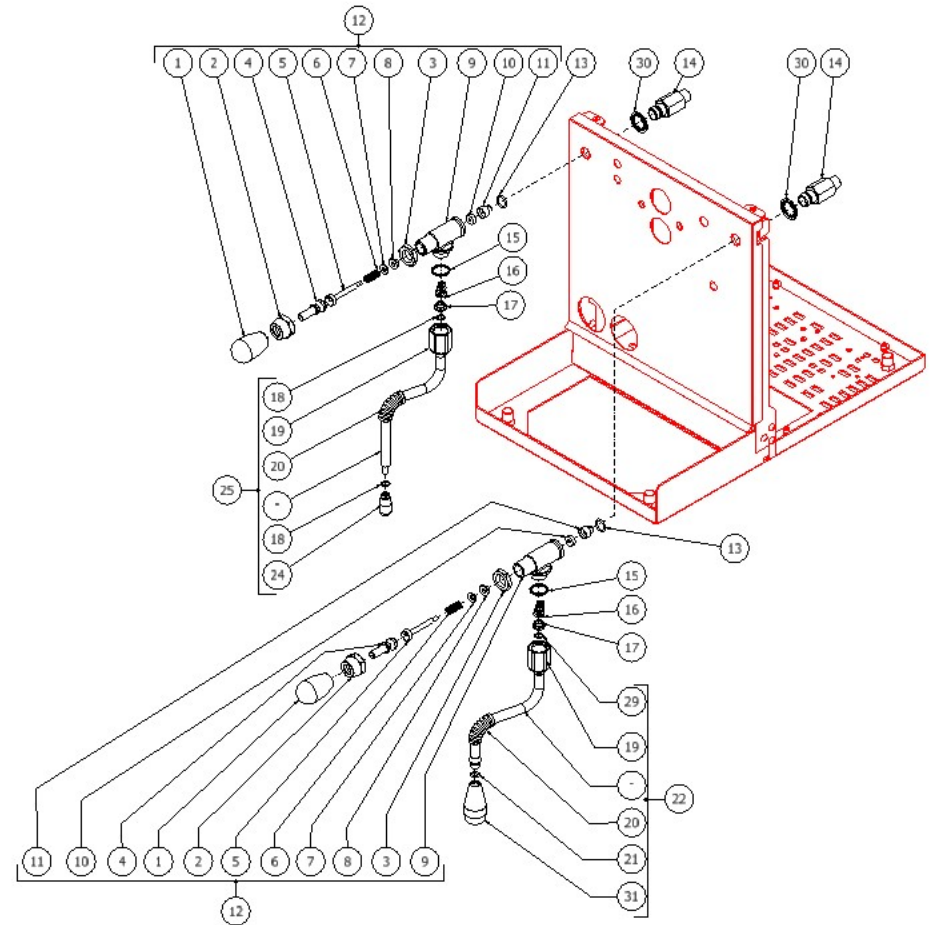


TABLE 5A - (from 21/09/2011 up to 28/01/2014)
MIT1

POS	CODE	DESCRIPTION
1	7371511.01	LEVER KNOB
2	5262801.01	FERRULE 3/8"G H17 STAINLESS STEEL
3	5225610	ARTICULATION M8 INOX
4	5260204DL	SHAFT D12X47
5	5471513	SPRING
6	5261801	WASHER D11
7	5494004	GASKET D12 X 6 PTFE GRAPHITIZED
8	5221826CM	NUT 3/8
9	5283047R	TAP BODY 3/8"GXM14
10	5496042	GASKET D11X4X4 EPT 70 (C6)
11	5224603AL	GASKET HOLDER D12X12 OT57USA
12	5225416AL-R	FITTING M14XM13
12	5302079	FITTING M14XM13 (from 05.10.2012)
13	5964085.02AL	BZ07 TAP COMPLETE WITHOUT HOOKING
14	7496072	OR GASKET 121
15	5471532.01	SPRING FOR ARTICULATION
16	5190501	COMPLETE CUP
17	7496073.01	GASKET OR 115 EP856
18	5221872.01	LOOSEN NUT 3/8"G H25 AISI303
19	7371003	INSULATING
20	7496084	GASKET
21	7305014	TERMINAL 2 HOLES
22	7479990.03	STEAM TUBE TERMINAL 2 HOLES SPHERE
23	5225610	ARTICULATION M8 INOX
24	5260204DL	SHAFT D12X47
25	7496084	GASKET
26	7479985R	WATER PIPE WITH WELDED CHROMED NUT H=25
27	5964085.02AL	BZ07 TAP COMPLETE WITHOUT HOOKING
28	5302064	FITTING M/F M13x1

TABLE 5A - (from 21/09/2011 up to 28/01/2014)
MIT1

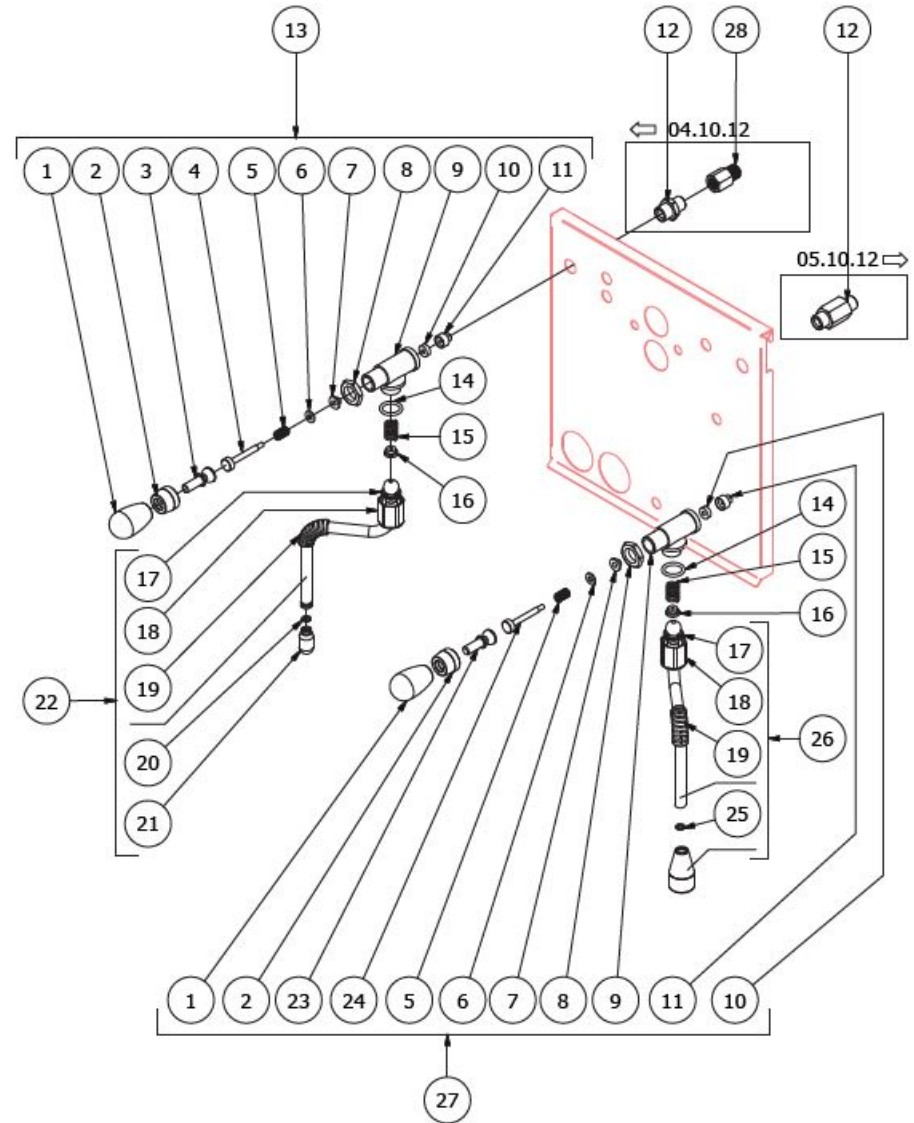


TABLE 5A - (from 29/01/2014 up to 09/12/2018)
MIT1

POS	CODE	DESCRIPTION
1	7371511.01	LEVER KNOB
2	5262801.01	FERRULE 3/8"G H17 STAINLESS STEEL
3	5221826CM	NUT 3/8
4	5225610	ARTICULATION M8 INOX
5	5260204DL	SHAFT D12X47
6	5471513	SPRING
7	5261801	WASHER D11
8	5494004	GASKET D12 X 6 PTFE GRAPHITIZED
9	5283055TW	TAP BODY OT FOR OR
10	5496042	GASKET D11X4X4 EPT 70 (C6)
11	5224603AL	GASKET HOLDER D12X12 OT57USA
12	5964085.02AL	BZ07 TAP COMPLETE WITHOUT HOOKING
13	7496052	OR GASKET 114
14	5225417R	FITTING M14XM13 WHIT OR
15	7496072	OR GASKET 121
16	5471532.01	SPRING FOR ARTICULATION
17	5190501	COMPLETE CUP
18	7496073.01	GASKET OR 115 EP856
19	5221872.01	LOOSEN NUT 3/8"G H25 AISI303
20	7371003	INSULATING
21	7496084	GASKET
22	7479985R	WATER PIPE WITH WELDED CHROMED NUT H=25
23	7496084	GASKET
24	7305014	TERMINAL 2 HOLES
25	7479990.03	STEAM TUBE TERMINAL 2 HOLES SPHERE
26	5225610	ARTICULATION M8 INOX
27	5260204DL	SHAFT D12X47
28	5964085.02AL	BZ07 TAP COMPLETE WITHOUT HOOKING

TABLE 5A - (from 29/01/2014 up to 09/12/2018)
MIT1

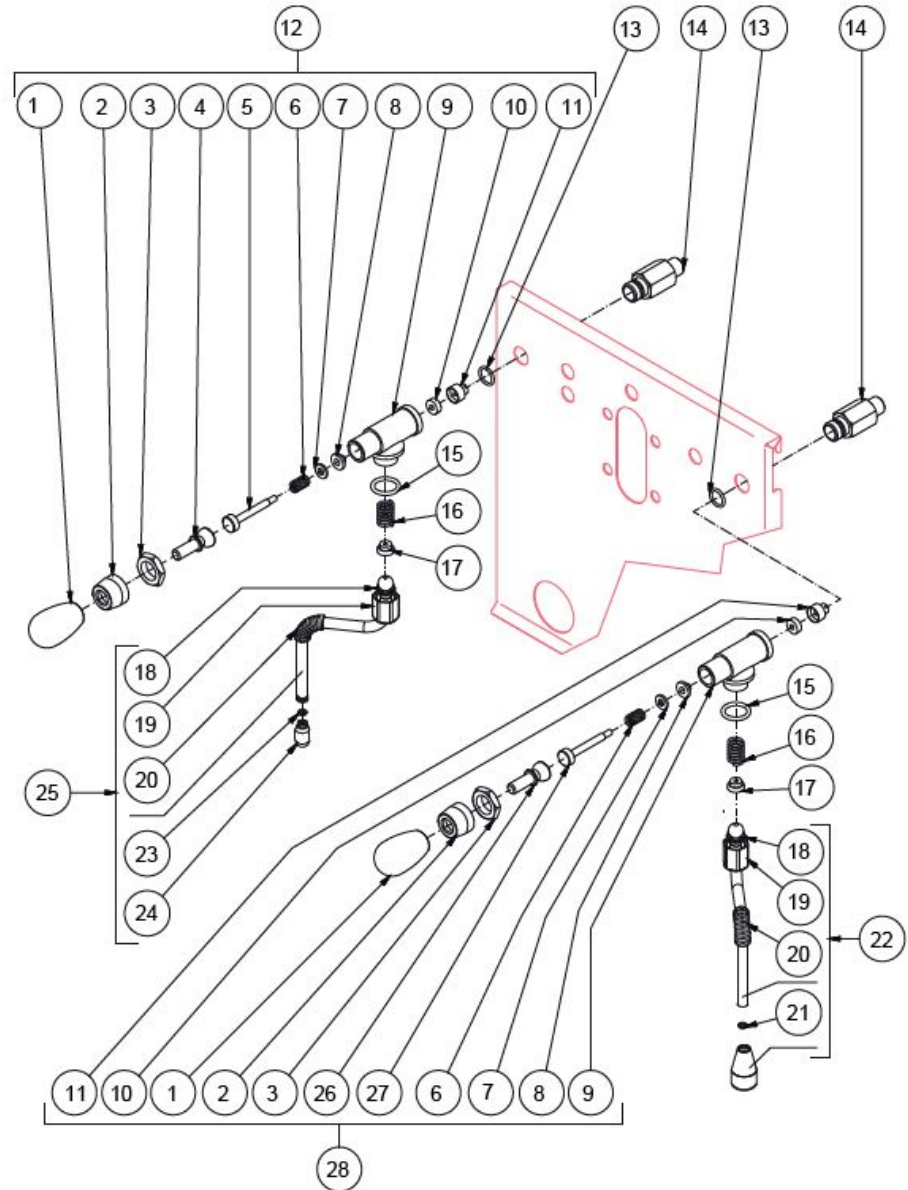


TABLE 5A - (up to 20/09/2011)
MIT1

POS	CODE	DESCRIPTION
1	7371511.01	LEVER KNOB
2	5262801.01	FERRULE 3/8"G H17 STAINLESS STEEL
3	5221826CM	NUT 3/8
4	5225610	ARTICULATION M8 INOX
5	5260204DL	SHAFT D12X47
6	5471513	SPRING
7	5261801	WASHER D11
8	5494004	GASKET D12 X 6 PTFE GRAPHITIZED
9	5283047R	TAP BODY 3/8"GXM14
10	5496042	GASKET D11X4X4 EPT 70 (C6)
11	5224603AL	GASKET HOLDER D12X12 OT57USA
12	5225416AL-R	FITTING M14XM13
12	5302079	FITTING M14XM13 (from 05.10.2012)
13	5964085.02AL	BZ07 TAP COMPLETE WITHOUT HOOKING
14	7496072	OR GASKET 121
15	5471532.01	SPRING FOR ARTICULATION
16	5190501	COMPLETE CUP
17	7496073.01	GASKET OR 115 EP856
18	5221872.01	LOOSEN NUT 3/8"G H25 AISI303
19	7371003	INSULATING
20	7496083	OR GASKET D4.5X1.5 NBR 70
21	7305010	TERMINAL 4 HOLES
22	7479990.03	STEAM TUBE TERMINAL 2 HOLES SPHERE
23	5225610	ARTICULATION M8 INOX
24	5260204DL	SHAFT D12X47
25	7496084	GASKET
26	7479985R	WATER PIPE WITH WELDED CHROMED NUT H=25
27	5964085.02AL	BZ07 TAP COMPLETE WITHOUT HOOKING
28	7305013	TERMINAL 2 HOLES
29	7479990.03	STEAM TUBE TERMINAL 2 HOLES SPHERE

TABLE 5A - (up to 20/09/2011)
MIT1

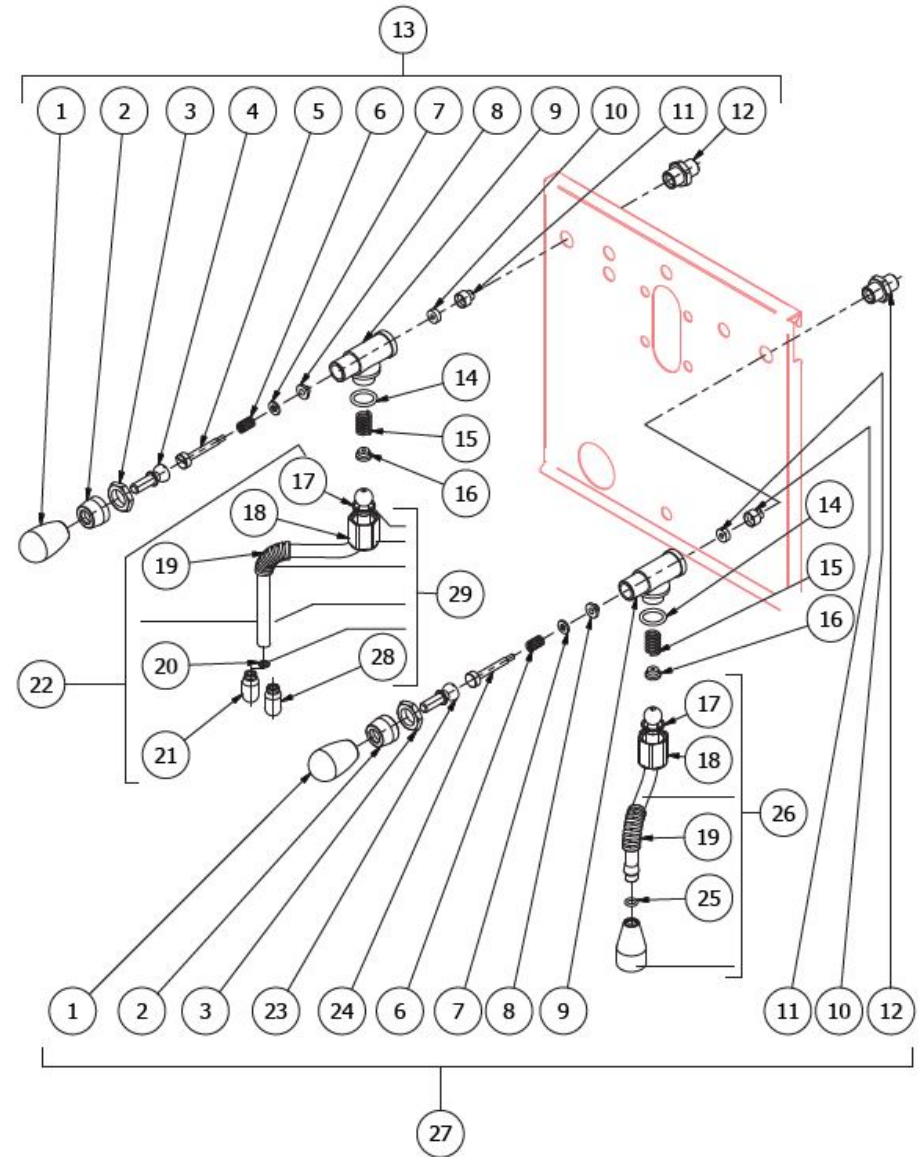


TABLE 6 - (from 01/12/2015)
MIT1

POS	CODE	DESCRIPTION
1	7661007R	LEVEL REGULATOR 220/240V 50/60HZ
1	7661006R	LEVEL REGULATOR 100/120V 50/60HZ
2	7635419	RELAY 16A 220/230V
2	7635420	RELAY 16A 240V
2	7635403	RELAY 30A 110V (only TOP version)
2	7635410	RELAY 30A 220/230V (only TOP version)
2	7635401	RELAY 30A 240V (only TOP version)
2	7635418	RELAY 16A 110V
3	7819404	TAPPING SCREW TPS D4.8X16 UNI 6955 A2
4	7816017	SCREW TCEI M4X6
5	5035709.02LL	ELECTRIC PARTS SUPPORT PLATE
5	5035718.01LL	ELECTRIC PARTS SUPPORT PLATE (only TOP version)
6	7633625	ORANGE LAMP
7	7819908	SCREW TTEI M4X8
8	7551003	CABLE WITH USA PLUG 250V 20A
8	7551001	CABLE WITH USA PLUG 125V 15A
8	7555003	CABLE WITH SWITZERLAND PLUG
8	7552001	CABLE WITH AUSTRALIAN PLUG
8	7555001	CABLE WITH SCHUKO PLUG
9	7614006	NUT PG13,5
10	7614007	CABLE-PRESS PG13,5
11	7663012R	FILTER RC 0,22MF 100 OHM UL
12	7633906.01	MICRO SWITCH
13	5221875CM	NUT M10X0,75
14	7633326	BIPOLAR SWITCH LEVER
15	7372507	SWTCH PROTECTION PLASTIC
16	7633624	GREEN LAMP

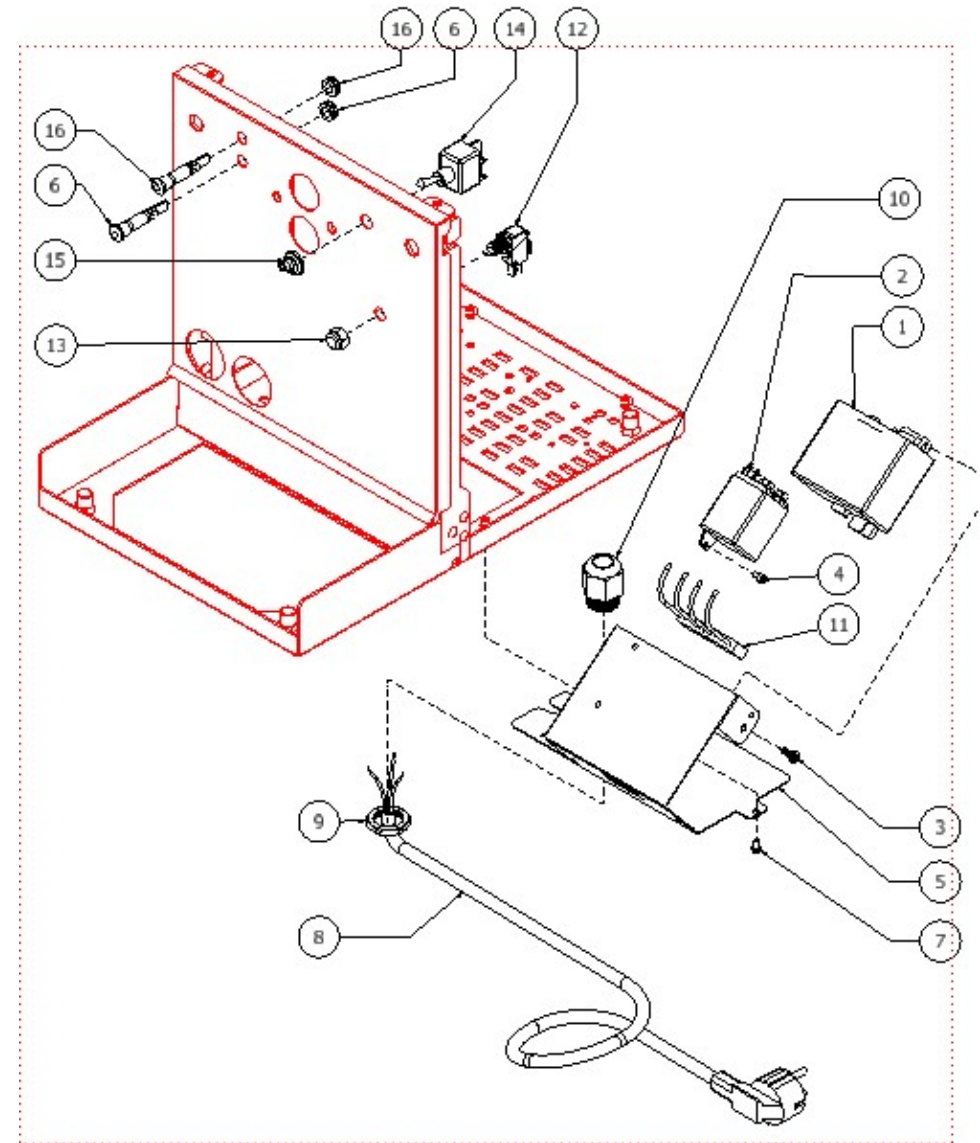
TABLE 6 - (from 01/12/2015)
MIT1

TABLE 6 - (up to 30/11/2015)
MIT1

POS	CODE	DESCRIPTION
1	7661007R	LEVEL REGULATOR 220/240V 50/60HZ
1	7661006R	LEVEL REGULATOR 100/120V 50/60HZ
2	7635418	RELAY 16A 110V
2	7635419	RELAY 16A 220/230V
2	7635420	RELAY 16A 240V
2	7635403	RELAY 30A 110V (only TOP version)
2	7635410	RELAY 30A 220/230V (only TOP version)
2	7635401	RELAY 30A 240V (only TOP version)
3	7819404	TAPPING SCREW TPS D4.8X16 UNI 6955 A2
4	7816017	SCREW TCEI M4X6
5	5035709.02LL	ELECTRIC PARTS SUPPORT PLATE
5	5035718.01LL	ELECTRIC PARTS SUPPORT PLATE (only TOP version)
6	7633621	ORANGE LAMP 110/240V
7	7819908	SCREW TTEI M4X8
8	7551001	CABLE WITH USA PLUG 125V 15A
8	7551003	CABLE WITH USA PLUG 250V 20A
8	7555001	CABLE WITH SCHUKO PLUG
8	7554001	CABLE WITH ENGLISH PLUG
8	7552001	CABLE WITH AUSTRALIAN PLUG
8	7555003	CABLE WITH SWITZERLAND PLUG
9	7614006	NUT PG13,5
10	7614007	CABLE-PRESS PG13,5
11	7663012R	FILTER RC 0,22MF 100 OHM UL
12	7633906.01	MICRO SWITCH
13	5221875CM	NUT M10X0,75
14	7633326	BIPOLAR SWITCH LEVER
15	7372507	SWTCH PROTECTION PLASTIC
16	7633622	GREEN LAMP 110/240V

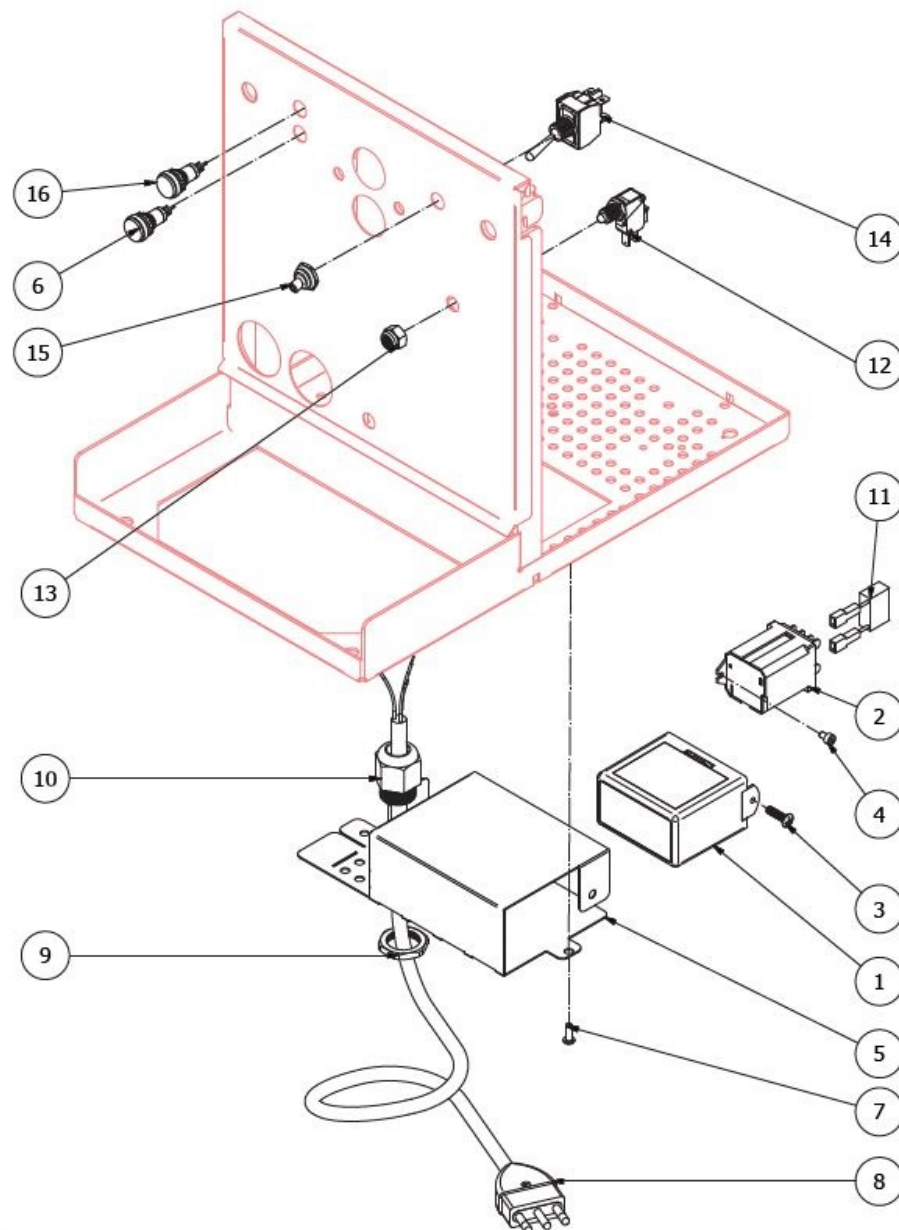
TABLE 6 - (up to 30/11/2015)
MIT1

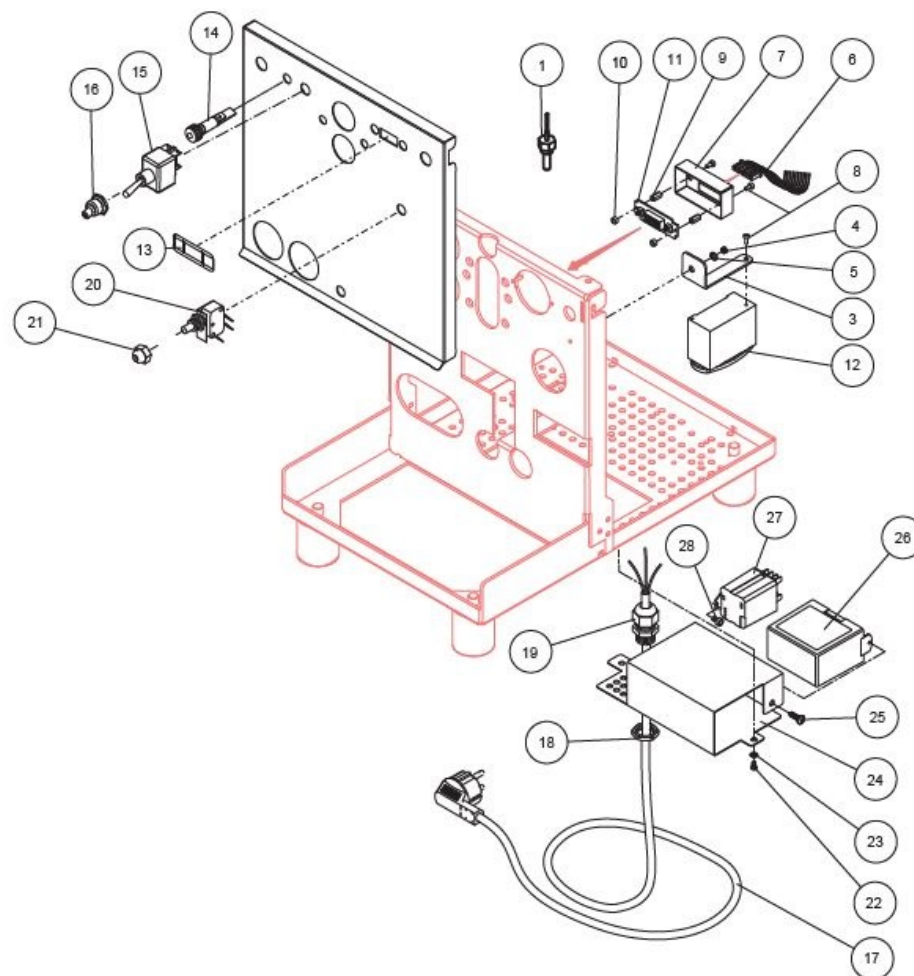
TABLE 6A - (up to 28/07/2022)

MIT1 Mod.PID

POS	CODE	DESCRIPTION
1	7666008	PROBE X THERMOPID AISI316 D3
3	5018475LW	PID SUPPORT
4	7822602	NUT M3
5	7814001	WASHER D4 DIN 6798A A2
6	7663581	CONNECTING CABLE
7	5053059LW	PID DISPLAY COVER
8	7816016	M3X6 SCREW
9	5191511	SPACER
10	5191510	SPACER
11	7665544	TPID DISPLAY CARD WHITE (PR)
12	7434027	PID 230/240V WITHOUT DISPLAY
13	5522076	TERMOPID PLATE
14	7633626	RED LED
15	7633326	BIPOLAR SWITCH LEVER
16	7372507	SWTCH PROTECTION PLASTIC
17	7555001	CABLE WITH SCHUKO PLUG
17	7552001	CABLE WITH AUSTRALIAN PLUG
17	7555003	CABLE WITH SWITZERLAND PLUG
17	7551001	CABLE WITH USA PLUG 125V 15A
17	7551003	CABLE WITH USA PLUG 250V 20A
18	7614006	NUT PG13,5
19	7614007	CABLE-PRESS PG13,5
20	7633906.01	MICRO SWITCH
21	5221875CM	NUT M10X0,75
22	7819908	SCREW TTEI M4X8
23	7814001	WASHER D4 DIN 6798A A2
24	5035709.02LW	ELECTRIC PARTS SUPPORT PLATE
25	7819404	TAPPING SCREW TPS D4.8X16 UNI 6955 A2
26	7661006R	LEVEL REGULATOR 100/120V 50/60HZ
26	7661007R	LEVEL REGULATOR 220/240V 50/60HZ

TABLE 6A - (up to 28/07/2022)

MIT1 Mod.PID



BEZZERA**MITICA**

TABLE 6A - (up to 28/07/2022)
MIT1 Mod.PID

POS	CODE	DESCRIPTION
27	7635424.01	RELAY
28	7816017	SCREW TCEI M4X6

BEZZERA**MITICA**

TABLE 6A - (up to 28/07/2022)
MIT1 Mod.PID

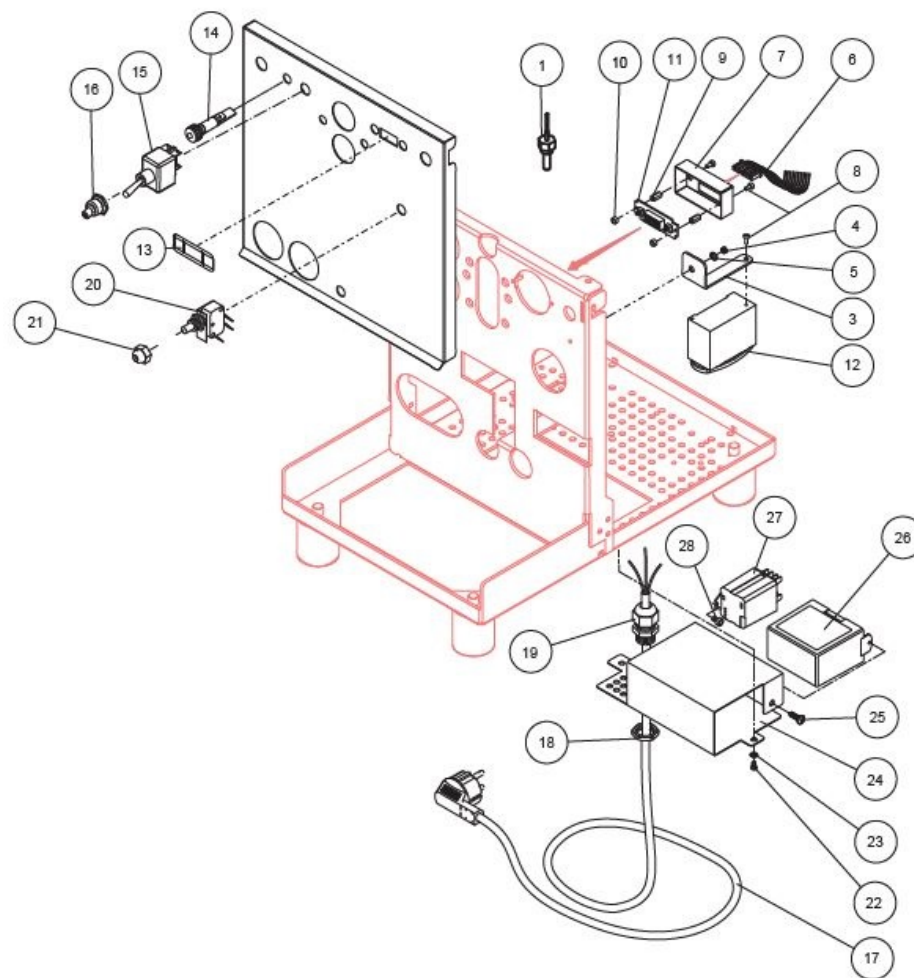
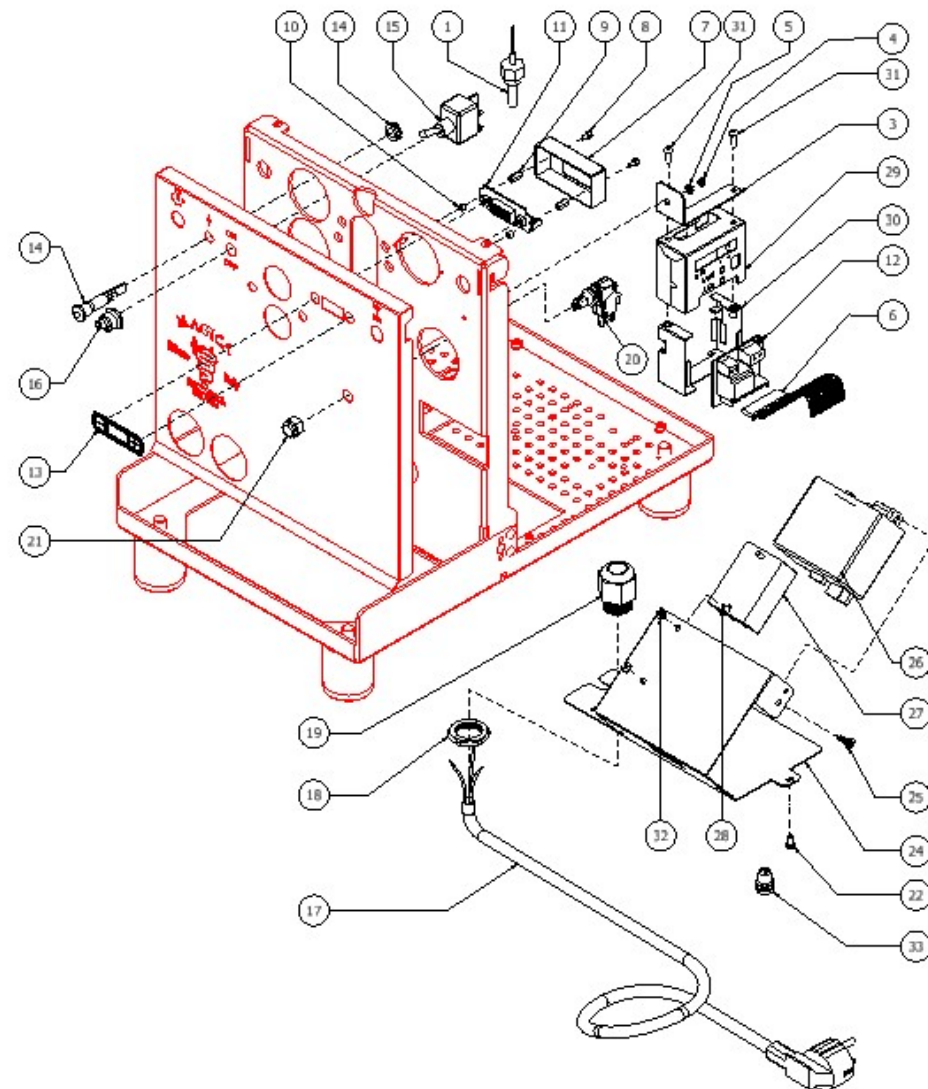


TABLE 6A - (from 29/07/2022)
MIT1 Mod. PID

POS	CODE	DESCRIPTION
1	7666008	PROBE X THERMOPID AISI316 D3
3	5018475LW	PID SUPPORT
4	7822602	NUT M3
5	7814001	WASHER D4 DIN 6798A A2
6	7663640	CABLE 15 VIE FEMALE L.320MM
7	5053059LW	PID DISPLAY COVER
8	7816016	M3X6 SCREW
9	5191511	SPACER
10	5191521	PID DISPLAY SPACER
11	7665544	TPID DISPLAY CARD WHITE (PR)
12	7434026	PID 110V WITHOUT DISPLAY SW.1.12
12	7434027	PID 230/240V WITHOUT DISPLAY SW.1.12
13	5522076	TERMOPID PLATE
14	7633626	RED LED
15	7633326	BIPOLAR SWITCH LEVER
16	7372507	SWTCH PROTECTION PLASTIC
17	7555001	CABLE WITH SCHUKO PLUG
17	7551003	CABLE WITH USA PLUG 250V 20A
17	7551001	CABLE WITH USA PLUG 125V 15A
17	7555003	CABLE WITH SWITZERLAND PLUG
17	7552001	CABLE WITH AUSTRALIAN PLUG
18	7614006	NUT PG13,5
19	7614007	CABLE-PRESS PG13,5
20	7633906.01	MICRO SWITCH
21	5221875CM	NUT M10X0,75
22	7819908	SCREW TTEI M4X8
24	5035709.02LW	ELECTRIC PARTS SUPPORT PLATE
25	7819404	TAPPING SCREW TPS D4.8X16 UNI 6955 A2
26	7661006R	LEVEL REGULATOR 100/120V 50/60HZ
26	7661007R	LEVEL REGULATOR 220/240V 50/60HZ

TABLE 6A - (from 29/07/2022)
MIT1 Mod. PID



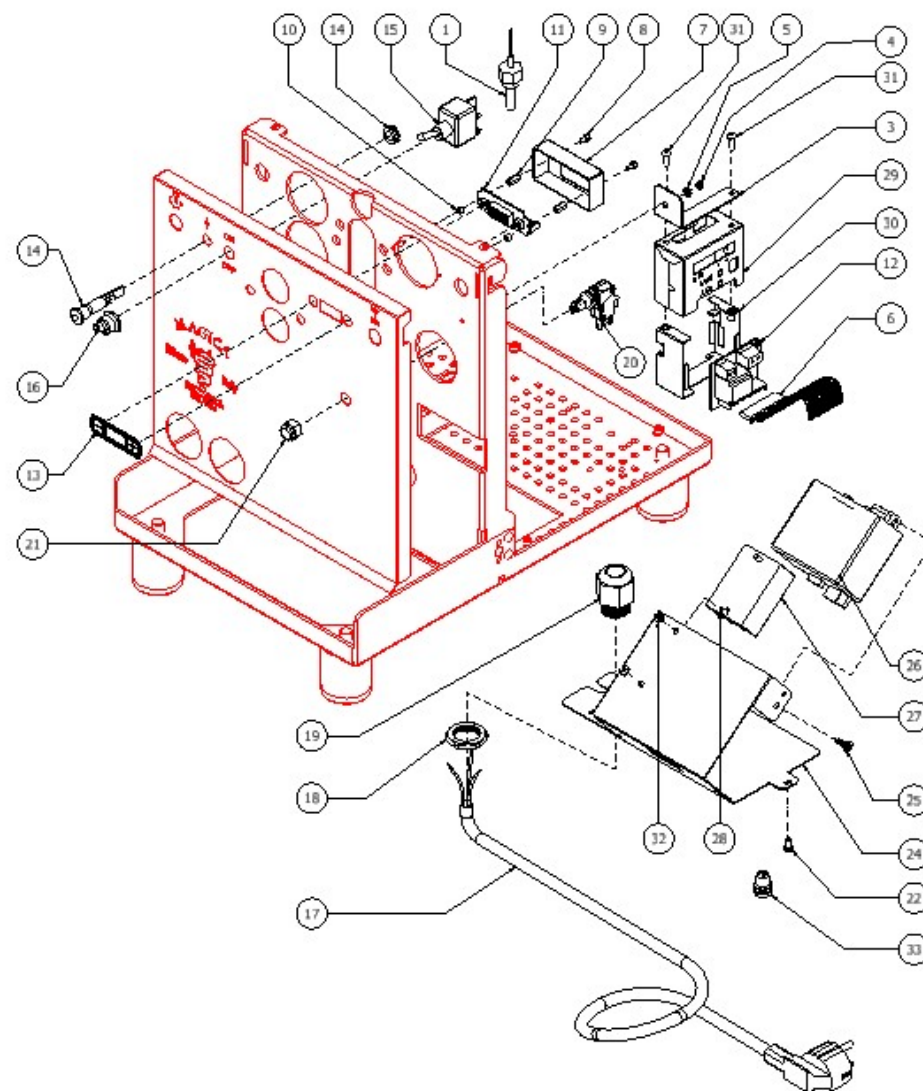
BEZZERA**MITICA**

TABLE 6A - (from 29/07/2022)
MIT1 Mod. PID

POS	CODE	DESCRIPTION
27	7635424.01	RELAIS SSR FOR T.PID
28	7816009	SCREW TCEI M4X10 UNI 5931A2
29	5053060LW	SUPPORT COVER PID CARD
30	5058513LL	SUPPORT PID CARD W/COMPASSES
31	7819901	SCREW TBEI M4X12 ISO 7380 A2 INOX
32	7812601	INOX NUT M4 UNI5588
33	7633346	SWITCH FOR MITICA TOP PID LED

BEZZERA**MITICA**

TABLE 6A - (from 29/07/2022)
MIT1 Mod. PID



BEZZERA

MITICA

TABLE 7 - (from 03/12/2012)
MIT1

POS	CODE	DESCRIPTION
1	7990603	CLEANING BRUSH
2	5373001	COFFEE-PRESS
3	5372101	MEASURER
4	5471038	BLIND FILTER AISI304
5	5471031.01	FILTER 1 CUP 10 GRAMS WITH RUN CHANNEL
6	5471021.01	FILTER 2 CUPS 16GRAMS AISI 304 WITH RUN CHANNEL
6	5471035	FILTER 2 CUPS 20 GRAMS AISI 304 WITH RUN CHANNEL
7	5965588.02R	ASSY FILTER-HOLDER E61 1CUP 80° W/LOGO
7	5965590.02R	ASSEMBLY COMPLETE FILTER-HOLDER 2 CUPS E61 W/LOGO
8	5471527	FILTER-HOLDER SPRING D1.2 AISI 302
9	7479972.01TW	FILTER-HOLDER
10	5978508.02	HANDLE WITH LOGO
11	5371203	HANDLE
12	7816026	SCREW TCEI M12X60
13	7809810	SCREW TC M3.5X8
14	5371204.01	CHROMED PLUG
15	5371205	PLATE WITH LOGO
16	7305006TW	SPOUT 1 WAY
17	7305007TW	SPOUT 2 WAY
18	7493021	GASKET FOR LOGO HANDLE

BEZZERA

MITICA

TABLE 7 - (from 03/12/2012)
MIT1

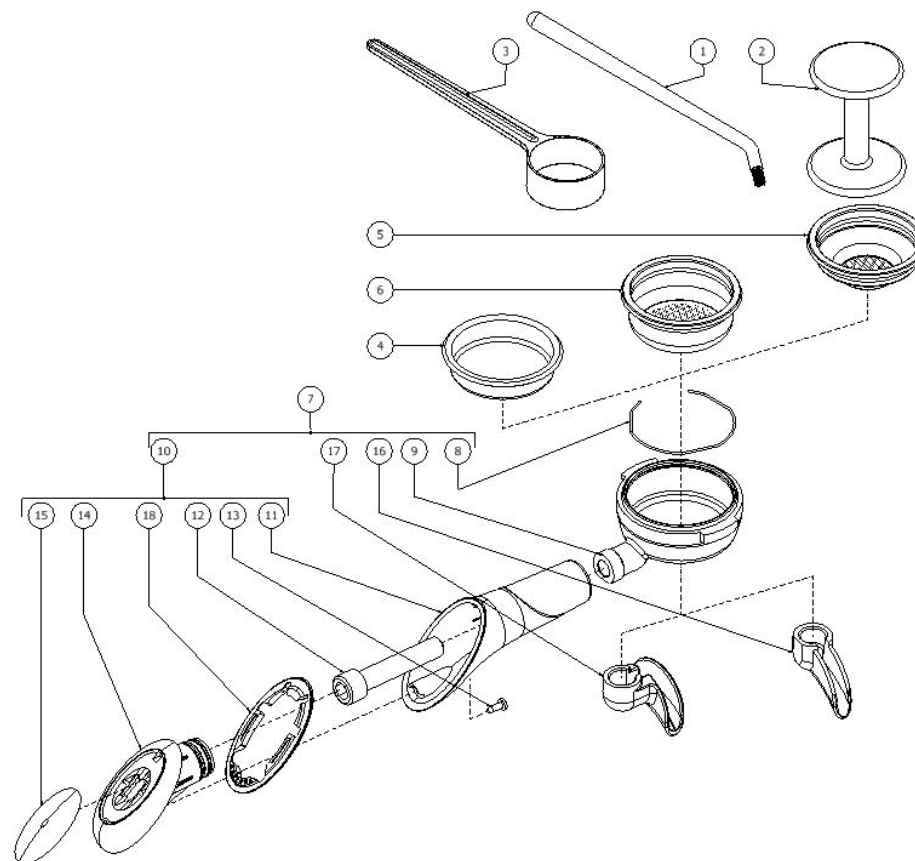
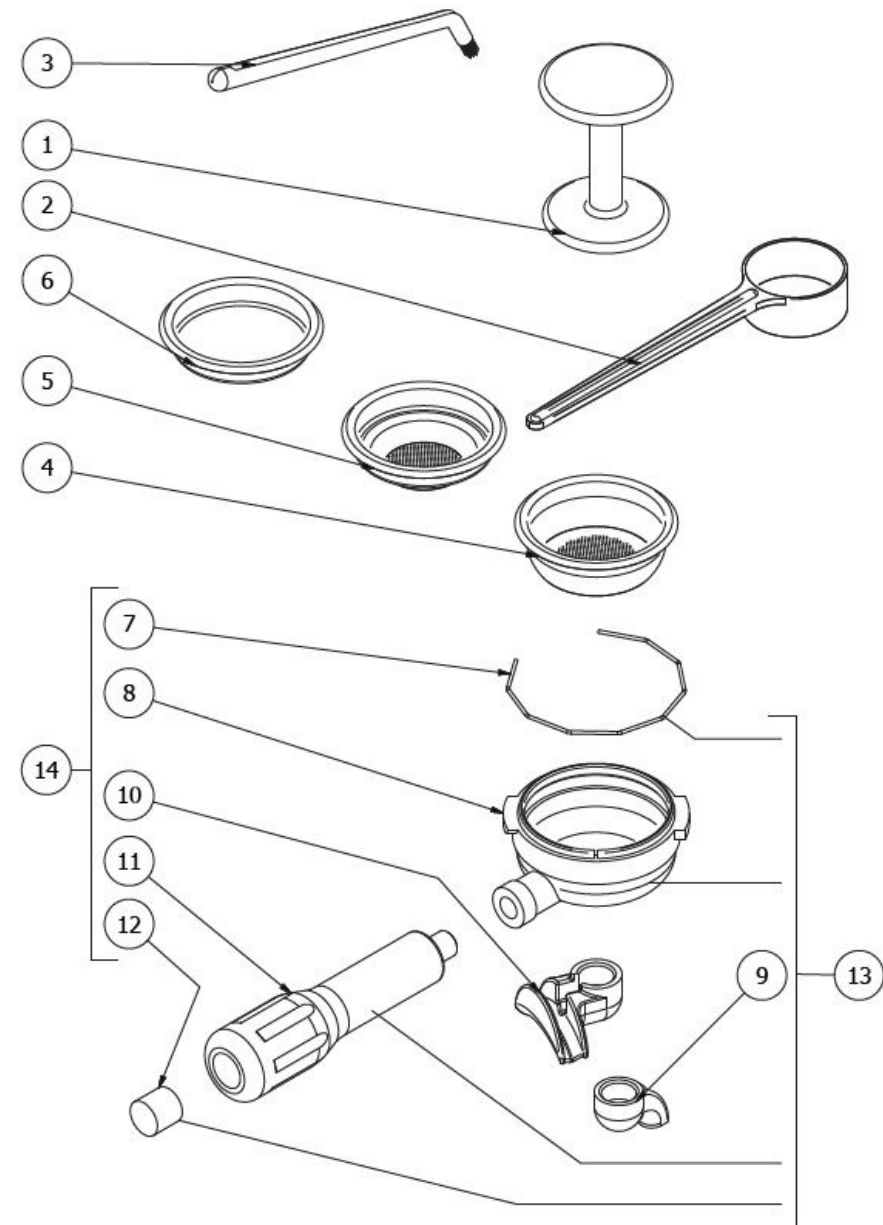


TABLE 7 - (up to 02/12/2012)
MIT1

POS	CODE	DESCRIPTION
1	5373001	COFFEE-PRESS
2	5372101	MEASURER
3	7990603	CLEANING BRUSH
4	5471021.01	FILTER 2 CUPS 16 GRAMS AISI 304 WITH RUN CHANNEL
5	5471031.01	FILTER 1 CUP 10 GRAMS WITH RUN CHANNEL
6	5471003	BLIND FILTER
7	5471527	FILTER-HOLDER SPRING D1.2 AISI 302
8	7479972.01TW	FILTER-HOLDER
9	7305006TW	SPOUT 1 WAY
10	7305007TW	SPOUT 2 WAY
11	7371502	KNOB POLISHED
12	5373915CM	KNOB CHROME CAP
13	5965588.03R	ASSY FILTER-HOLDER E61 1CUP 80°
14	5965590.03R	ASSEMBLY FILTER-HOLDER 2 CUPS

TABLE 7 - (up to 02/12/2012)
MIT1



G.BEZZERA S.R.L.
MACCHINE PER CAFFÈ ESPRESSO
Via Luigi Bezzera,1
20088 Rosate - Milano - Italy
Tel. +39 02 90848102 r.a.
Web: www.bezzera.com
e-mail: admin@bezzera.it