



MATRIX

COD. 9942068

REV. 11 ed. 06/26



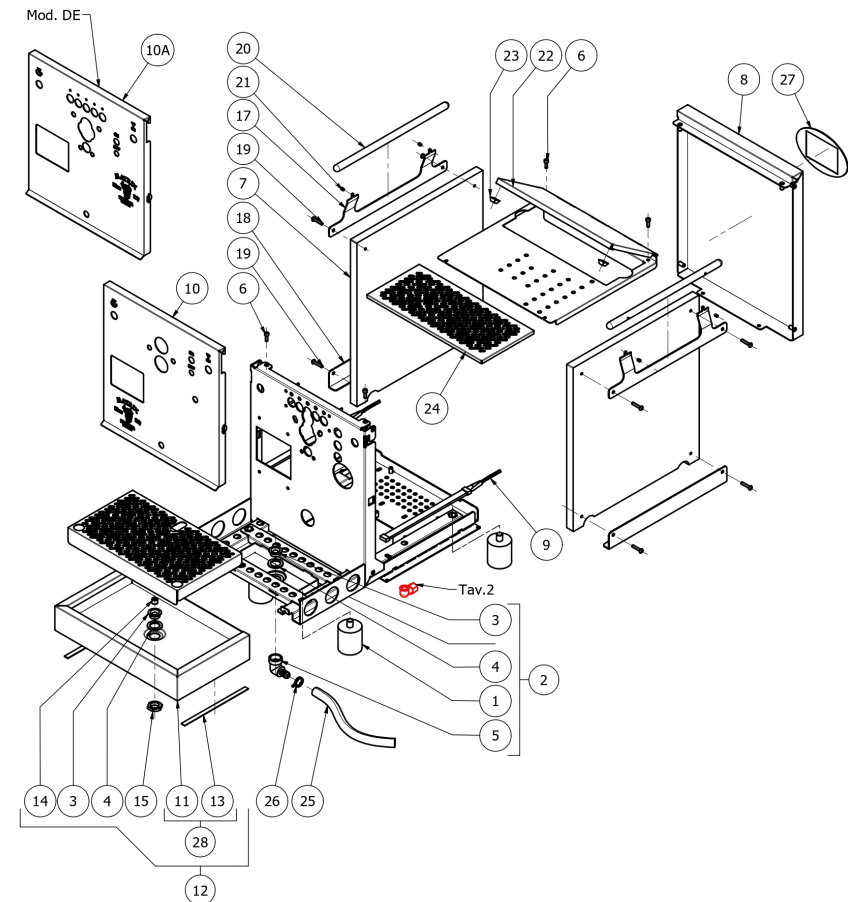
TABLE 1

MATRIX Mod. MN/DE (old frame)

| POS | CODE | DESCRIPTION |
|-----|-------------|---|
| 1 | 7474218 | FEET M10 D40X46 |
| 2 | 5964676 | ASSEMBLY CHASSIS DUO/MATRIX |
| 3 | 5225230 | FITTING 3/8 |
| 4 | 5492022 | GASKET D25 X 17 X 2 |
| 5 | 5224403.01 | RUBBER-HOLDER 3/8 |
| 6 | 7816002 | SCREW TCEI M4X12 |
| 7 | 5370920 | RIGHT/LEFT LATERAL SIDE |
| 8 | 5073642LL | REAR BODY STAINLESS STEEL POLISHED |
| 9 | 7663626.01 | LED RGB 12V L=200MM |
| 10 | 5074924SG | GROUP FRONTAL MATRIX MN |
| 10A | 5074923SG1 | GROUP FRONTAL MATRIX DE |
| 11 | 5340531DL | DRIP TRAY |
| 12 | 5968124.01 | ASSY DRIP TRAY DUO/MATRIX |
| 13 | 7497013 | ADHESIVE STRIP PTFE 150X11X1MM |
| 14 | 7823001 | DOWEL 1/8 |
| 15 | 5221826 | NUT 3/8 |
| 17 | 5073643LW | MATRIX TOP PROFILE |
| 18 | 5073644LW | MATRIX LOWER PROFILE |
| 19 | 7819902 | SCREW M4X20 |
| 20 | 5260206 | PROFILE |
| 21 | 7812805 | DOWELM4X6 |
| 22 | 5961602.01 | CUPS-HEATER |
| 23 | 7474217 | ADHESIVE FEET 12,7 H5,8 |
| 24 | 5074673LW | CUPS-HEATER GRID MATRIX |
| 25 | 5194654 | HOSE D15X10 L=1500 SILICONE |
| 26 | 7611502 | CLAMP 15140-BIFM140 |
| 27 | 5521512 | LABEL |
| 28 | 5968127.01R | ASSY DRIP TRAY DUO/MATRIX + PTFE ADHESIVE |

TABLE 1

MATRIX Mod. MN/DE (old frame)



BEZZERA

MATRIX

TABLE 1A
MATRIX Mod. MN/DE (new frame)

| POS | CODE | DESCRIPTION |
|-----|---------------|-----------------------------------|
| 1A | 5074924.01SG | FRONTAL GROUP MATRIX MN |
| 1 | 5074923.01SG1 | FRONTAL GROUP MATRIX DE SERIGR. |
| 2 | 5260206 | MATRIX EDGE AISI303 |
| 3 | 7819911 | SCREW TTEI M4X25 INOX |
| 4 | 7812805 | WHEAT EI M4X6 UNI5927 A2 |
| 5 | 5073643LW | UPPER MATRIX PROFILE |
| 6 | 5370920 | LEFT/RIGHT LATERAL SIDE MATRIX |
| 7 | 5073644LW | MATRIX LOWER PROFILE |
| 8 | 5074673LW | CUP WARMERS GRID MATRIX |
| 9 | 7816002 | SCREW TCEI M4X12 UNI 5931 A2 |
| 10 | 5961602.01 | ASSEMBLY FEET HEATER |
| 11 | 7474217 | ADHESIVE FEET 12,7 H5,8 |
| 12 | 5073642LL | BACK BODY MATRIX STAINLESS |
| 13 | 5521512 | BEZZERA LABEL |
| 14 | 7815003 | PLAIN WASHER D5 UNI 6592 A2 |
| 15 | 7663626.01 | LED RGB 12V L = 200MM FEMALE |
| 16 | 5225230NC | FITTING 3/8" G NICKEL |
| 17 | 5492022 | GASKET D25 X 17 X 2 ASBESTOS FREE |
| 18 | 5224403.01NC | RUBBER-HOLDER |
| 19 | 7474218 | FEET M10 D40X46 |
| 20 | 5964676.01 | ASSY FRAME DUO/MATRIX |
| 21 | 5261013 | WIRE DISCHARGE GRID DUO/MATRIX |
| 22 | 5340531DL | COMPLETE TRAY DUO/MATRIX INOX |
| 23 | 7497013 | ADHESIVE STRIP PTFE 150X11X1MM |
| 24 | 7823001TP | HEADLESS SCREW 1/8 |
| 25 | 5221826 | NUT 3/8 |
| 26 | 5968124.01 | ASSY TRAY DUO/MATRIX W/DISCHARGE |

BEZZERA

MATRIX

TABLE 1A
MATRIX Mod. MN/DE (new frame)

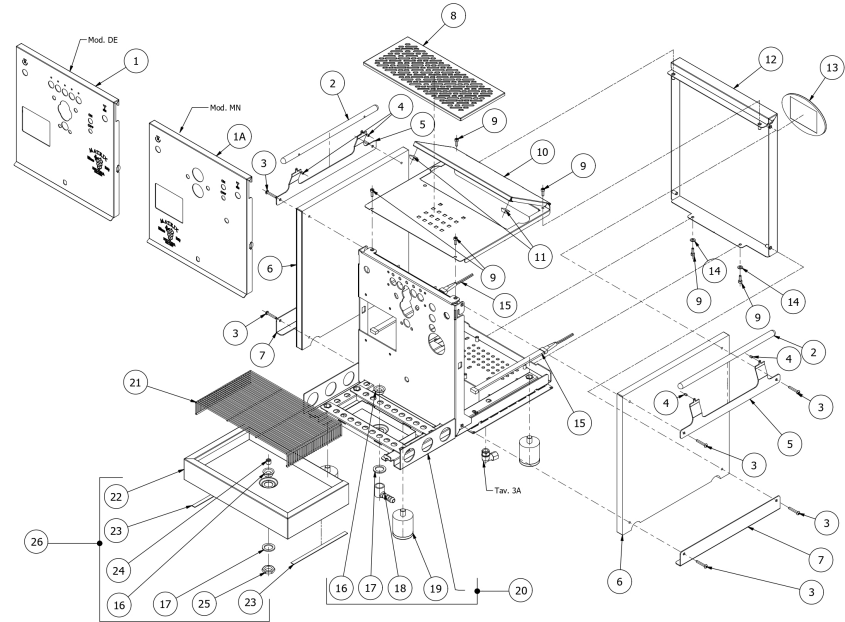


TABLE 2
MATRIX Mod. MN

| POS | CODE | DESCRIPTION |
|-----|------------|---|
| 1 | 5283060 | DRAIN FITTING |
| 2 | 7815001 | WASHER D10 UNI 6592 A2 |
| 3 | 5221844 | NUT 1/8 |
| 4 | 7816002 | SCREW TCEI M4X12 |
| 5 | 7304507TR | UNION ELBOW 1/8 |
| 6 | 7304517 | UNION 1/8 |
| 7 | 7666005 | PRESSURE SENSOR ETX165 |
| 8 | 5162421LL | PRESSURE GAUGE HOSE |
| 9 | 7304502TR | UNION 1/8 |
| 10 | 5162415LL | L / A INPUT TUBE DUO/MATRIX |
| 11 | 5162414LL | PUMP WATER INPUT TUBE DUO/MATRIX |
| 12 | 5492019 | GASKET D8X2 |
| 13 | 5221835 | CAP NUT 1/8 |
| 14 | 7815003 | WASHER D5 UNI6592 A2 |
| 15 | 7812601 | NUT M4 STAINLESS STEEL UNI 5588 |
| 16 | 5058463LL | TANK SUPPORT |
| 17 | 7474212 | ADHESIVE FEET |
| 18 | 5221830 | NUT M20X1.25 H5 OT |
| 20 | 7819901 | SCREW TBEI M4X12 ISO 7380 A2 |
| 21 | 7666006.01 | TANK LEVEL SENSOR |
| 22 | 5162413LL | COFFEE BOILER DUO / MATRIX LOADING TUBE |
| 23 | 5194554 | HOSE D8X5 L=250 SLICONE |
| 24 | 7611516 | CLAMP 10086-BIFM086 |
| 25 | 7303001TR | UNION ELBOW 1/8 |
| 26 | 7304505TR | FITTING ELBOW 3 WAY 1/8 |
| 27 | 7304538TR | UNION STRAIGHT F1/8 |
| 28 | 5194617 | PTFE HOSE D16x140 |
| 29 | 5225228.01 | FITTING M20X1.25 H28.5 OT |
| 30 | 7304534TR | UNION STRAIGHT M1/8 |
| 31 | 7826206 | SCREW TCI M3X30 UNI6107 OT |

TABLE 2
MATRIX Mod. MN

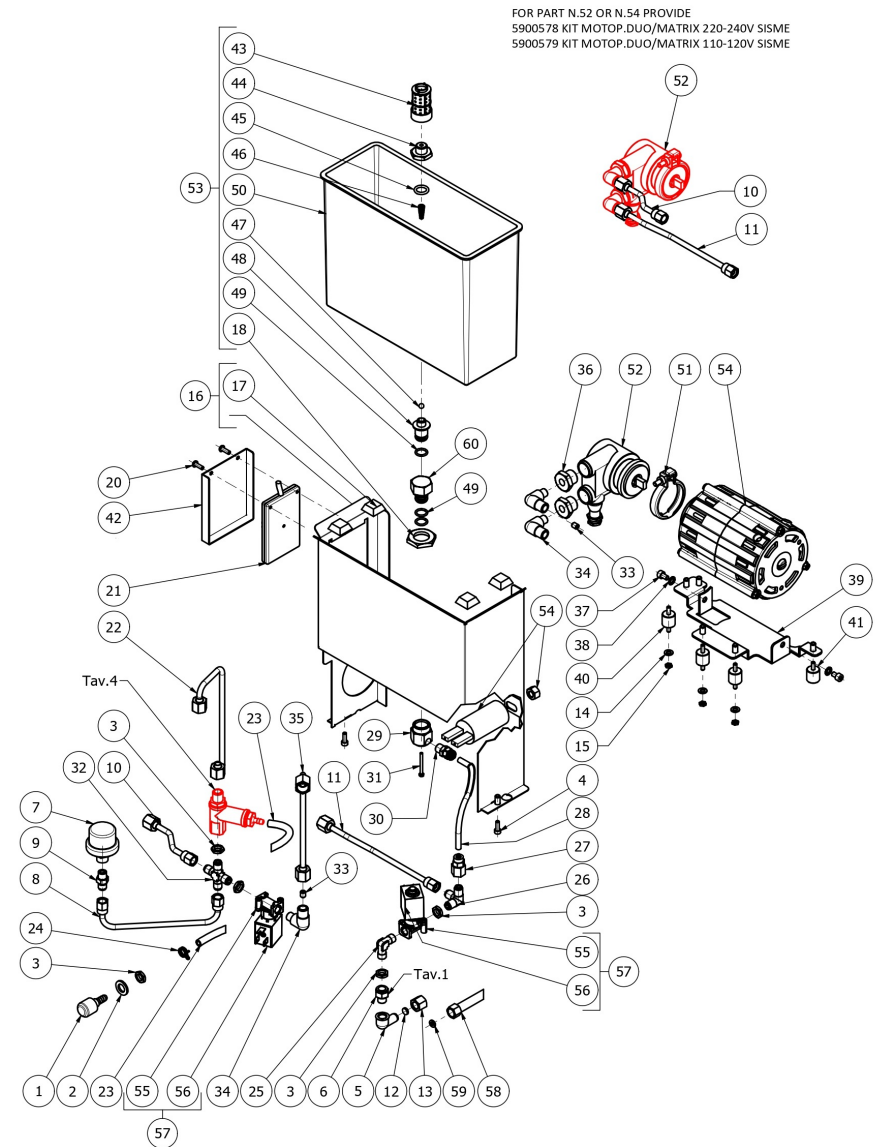


TABLE 2
MATRIX Mod. MN

| POS | CODE | DESCRIPTION |
|-----|--------------|---|
| 32 | 7304001TR | UNION CROSS 1/8 |
| 33 | 5223003 | JET M6X6 HOLE D0.8 BRASS |
| 34 | 5301504TR | FITTING ELBOW M12X1/8 |
| 35 | 5162412LL | BOILER LOAD HOSE |
| 36 | 5302057AL | FITTING 1/8 |
| 37 | 7816027 | SCREW TCEI M5X8 |
| 38 | 7814002 | NOTCHED WASHER D5 DIN 6798A A2 |
| 39 | 5058411LL | MOTOR SUPPORT |
| 40 | 7470604 | VIBRATION-DAMPING |
| 41 | 7474219 | RUBBER FEET D15X15 M4X10 |
| 42 | 5055752LW | TANK LEVEL SENSOR PLATE |
| 43 | 7374002 | FILTER 1/4 |
| 44 | 5302065.01AL | TANK FILTER REDUCTION |
| 45 | 7496073.01 | GASKET OR 115 EP856 |
| 46 | 5471521.01 | COUPLING SPRING |
| 47 | 5471509 | BALL 7/32" AISI 304 |
| 48 | 5224617 | GASKET-HOLDER D14.5X25 OT |
| 49 | 7496076 | OR GASKET 112 EP856 80SH |
| 50 | 7373012 | TANK 3 LT. CAPACITY |
| 51 | 7611508 | PUMP CLAMP |
| 52 | 7730509 | PUMP 50-70L/H+CLAMP+JOINT |
| 53 | 5963171 | ASSEMBLY TANK C / FILTER DUO/MATRIX |
| 54 | 7741005.01 | ELECTRIC MOTOR 110V 25MF 50/60HZ |
| 54 | 7742404.01 | ELECTRIC MOTOR 220/240V 6MF 50/60HZ |
| 55 | 7703018 | SOLENOID VALVE WITHOUT COIL 2 WAY OLAB |
| 56 | 7630341 | SOLENOID VALVE COIL 2 WAY 220/230V OLAB |
| 56 | 7630343 | SOLENOID VALVE COIL 2 WAY 240V OLAB |
| 56 | 7630339 | SOLENOID VALVE COIL 2 WAY 110V OLAB |
| 57 | 7702415 | SOLENOID VALVE 2 WAY 240V OLAB |
| 57 | 7701123 | SOLENOID VALVE 2 WAY 110V OLAB |

TABLE 2
MATRIX Mod. MN

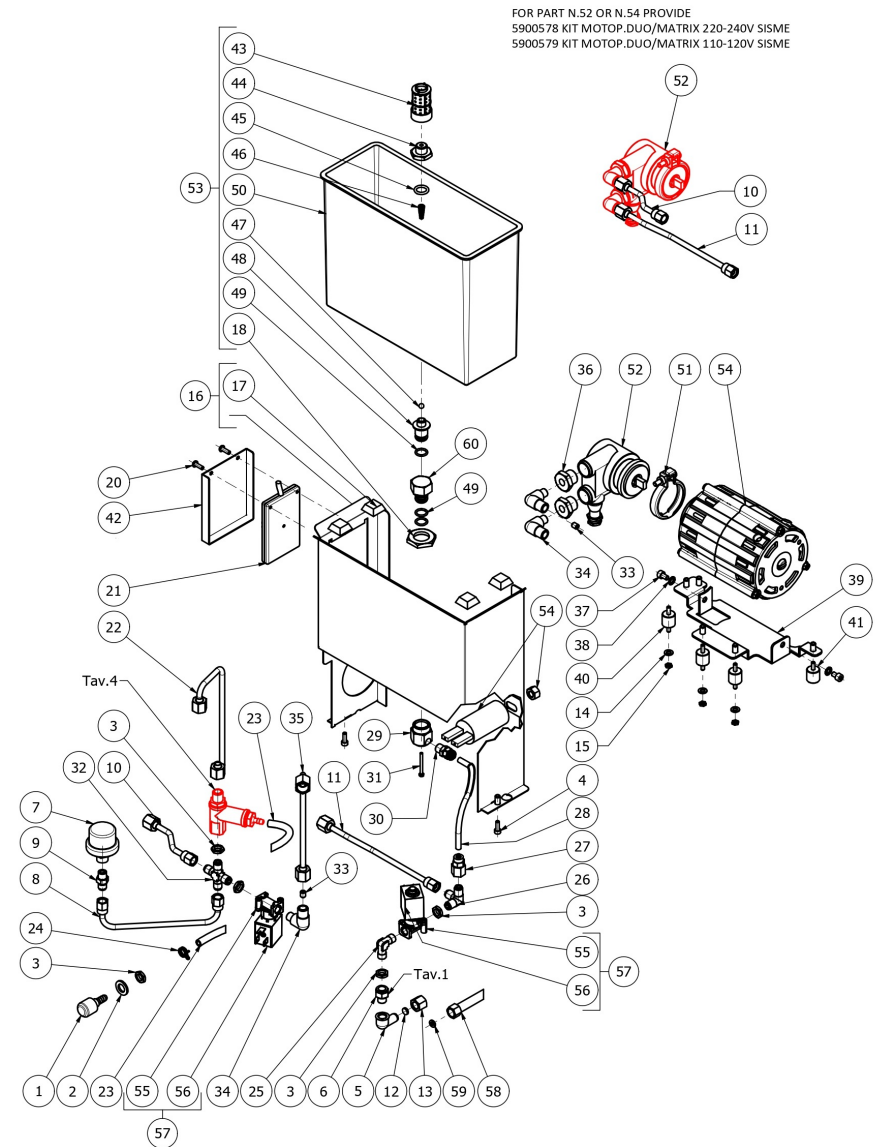
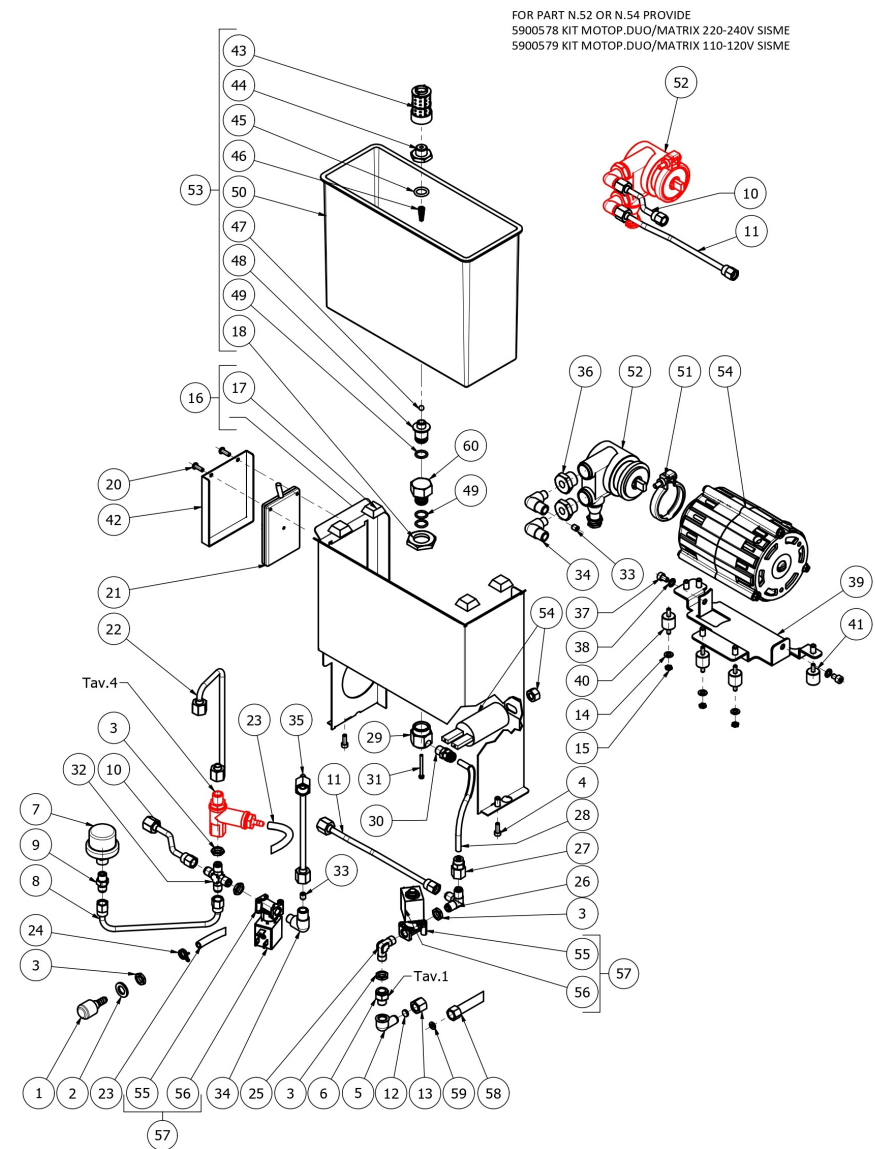


TABLE 2
MATRIX Mod. MN

| POS | CODE | DESCRIPTION |
|-----|-----------|------------------------------------|
| 57 | 7702322 | SOLENOID VALVE 2 WAY 220/230V OLAB |
| 58 | 7200514 | FLEXIBLE HOSE |
| 59 | 7492004 | GASKET D8.5X4.2X1.5 |
| 60 | 5226416AL | PLUG HEXAGONAL 22 x 26.5 |

TABLE 2
MATRIX Mod. MN



BEZZERA

MATRIX

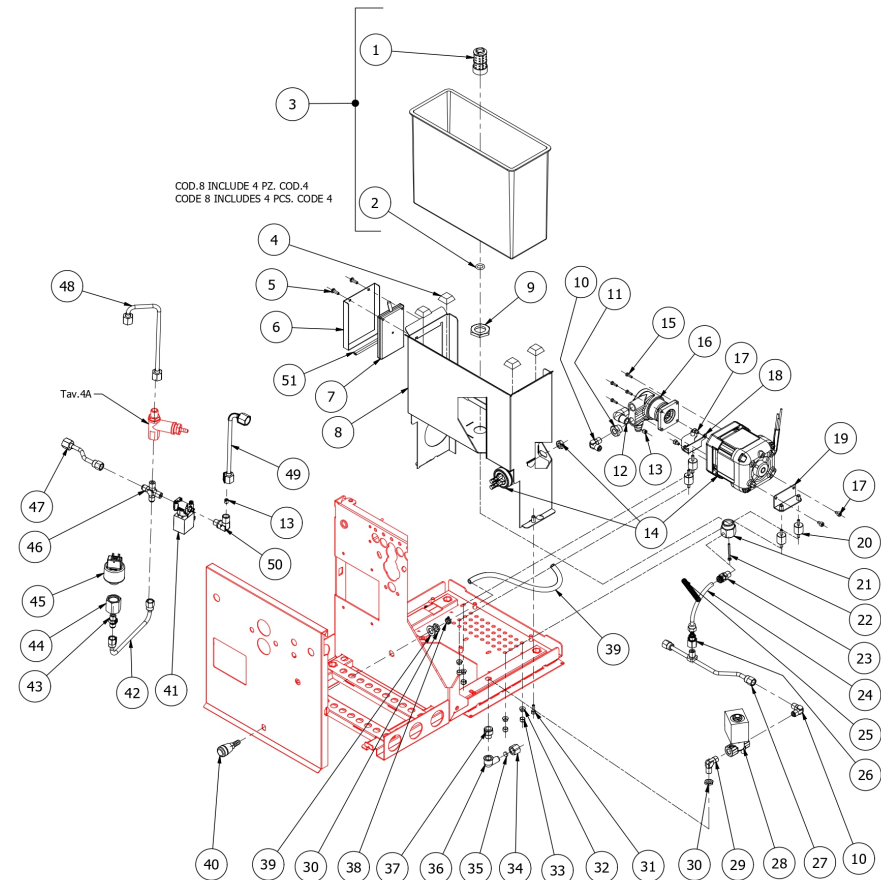
TABLE 2A - (up to 30/04/2025)
MATRIX Mod. MN

| POS | CODE | DESCRIPTION |
|-----|--------------|--|
| 1 | 7374002 | FILTER 1/4 |
| 2 | 7496076 | GASKET OR 112 EP856 80SH |
| 3 | 5963171.01 | ASSY TANK W/FILTER DUO/MATRIX |
| 4 | 7474212 | ADHESIVE FEET |
| 5 | 7819901 | SCREW TBEI M4X12 ISO 7380 A2 INOX |
| 6 | 5055752LW | TANK LEVEL SENSOR PLATE |
| 7 | 7666006.01 | TANK LEVEL SENSOR |
| 8 | 5058463.01LL | DUO/MATRIX TANK SUPPORT W/COMPASSES |
| 9 | 5221830 | NUT M20 H5 OT |
| 10 | 7303001TR | UNION ELBOW 1/8 |
| 11 | 7304559 | CYLINDRICAL MF REDUCTION G1/4 |
| 12 | 5301512.01AL | ELBOW FITTING M12X1/4 |
| 13 | 5223003 | JET M6 X 6 HOLE D0.8 OT |
| 14 | 7741007 | ELECTRIC MOTOR 110-115V 50/60HZ |
| 14 | 7742405 | ELECTRIC MOTOR 220/240V |
| 15 | 7819921 | SCREW M3x10 |
| 16 | 7730514 | ROTATIVE PUMP 70L/H COMPACT |
| 17 | 7816017 | SCREW TCEI M4X6 |
| 18 | 5058515LL | DUO FRONT ENGINE SUPPORT WITH BUSHINGS |
| 19 | 5058514LL | DUO REAR ENGINE SUPPORT WITH BUSHINGS |
| 20 | 7470604 | VIBRATION-DAMPING |
| 21 | 5225228.01AL | FITTING M20X1.25 ES22 H28.5 OT57USA |
| 22 | 7826206 | SCREW TCI M3X30 UNI 6107 OT |
| 23 | 7304534TR | STRAIGHT FITTING M1/8 |
| 24 | 5194638 | TUBE PTFE 6X75 |
| 25 | 5471545 | SPRING COVER TUBE PTFE |
| 26 | 7304538TR | FITTING |
| 27 | 5162535LL | WATER INLET HOSE-PUMP DUO MOT.SISME |
| 28 | 7702414.01 | EV.2 WAYS OLAB 240V BIG COIL |
| 28 | 7701121.01 | SOLENOID VALVE 2WAY OLAB 110V BIG |

BEZZERA

MATRIX

TABLE 2A - (up to 30/04/2025)
MATRIX Mod. MN



BEZZERA

MATRIX

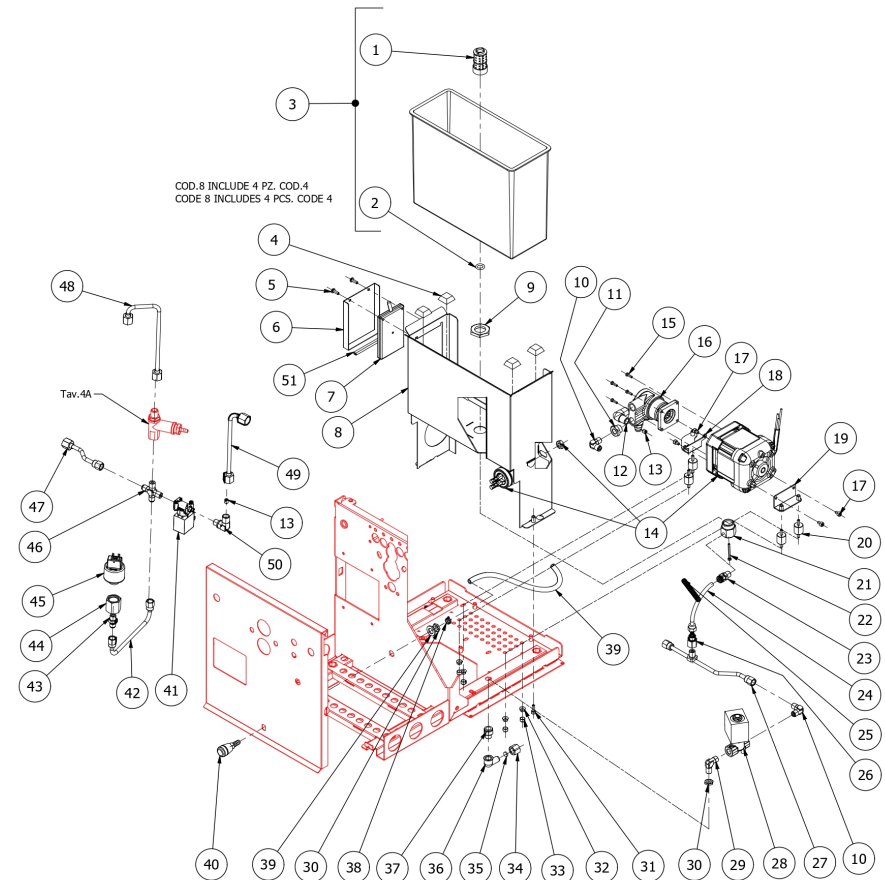
TABLE 2A - (up to 30/04/2025)
MATRIX Mod. MN

| POS | CODE | DESCRIPTION |
|-----|------------|-------------------------------------|
| 28 | 7702320.01 | EV.2 WAY 220/230V BIG COIL |
| 29 | 7303054TR | ELBOW FITTING 1/8 |
| 30 | 5221844 | NUT 1/8 |
| 31 | 7816002 | SCREW TCEI M4X12 UNI 5931 A2 |
| 32 | 7812706 | NUT M4 |
| 33 | 5373110 | NUT COVER |
| 34 | 5221835 | CAP NUT 1/8 |
| 35 | 5492019 | GASKET D8 X 2 ASBESTOS FREE |
| 36 | 7304507TR | UNION ELBOW 1/8 |
| 37 | 7304517 | FITTING SERTO 1/8 |
| 38 | 7611512 | CLAMP |
| 39 | 7815001 | WASHER D10 UNI 6592 A2 |
| 39 | 5194554 | SURPRESSION VALVE DRAIN HOSE |
| 40 | 5283062 | CONICAL DISCHARGE FITTING |
| 41 | 7701123.01 | EV.2 WAY 110V 25BAR SMALL COIL |
| 41 | 7702415.01 | EV.2 WAY 240V 25BAR SMALL COIL |
| 41 | 7702322.01 | EV.2WAY OLAB 220/230V 25BAR SMALL |
| 42 | 5162421LL | TUBE PRESSURE TRANSDUCER DUO/MATRIX |
| 43 | 7304502TR | STRAIGHT FITTING 1/8 |
| 44 | 5225420AL | FITTING 3/8 |
| 45 | 7666009 | PRESSURE SENSOR |
| 46 | 7304544TR | FITTING 1/8"G |
| 47 | 5162536LL | INLET TUBE L/A DUO MOT.SISME |
| 48 | 5162413LL | COFFEE BOILER DRAIN PIPE DUO/MATRIX |
| 49 | 5162412LL | BOILER SERVICE DRAIN PIPE |
| 50 | 5301504AL | ELBOW FITTING M12X1/8 |
| 51 | 5859956 | SHEATH TYPE |

BEZZERA

MATRIX

TABLE 2A - (up to 30/04/2025)
MATRIX Mod. MN



BEZZERA

MATRIX

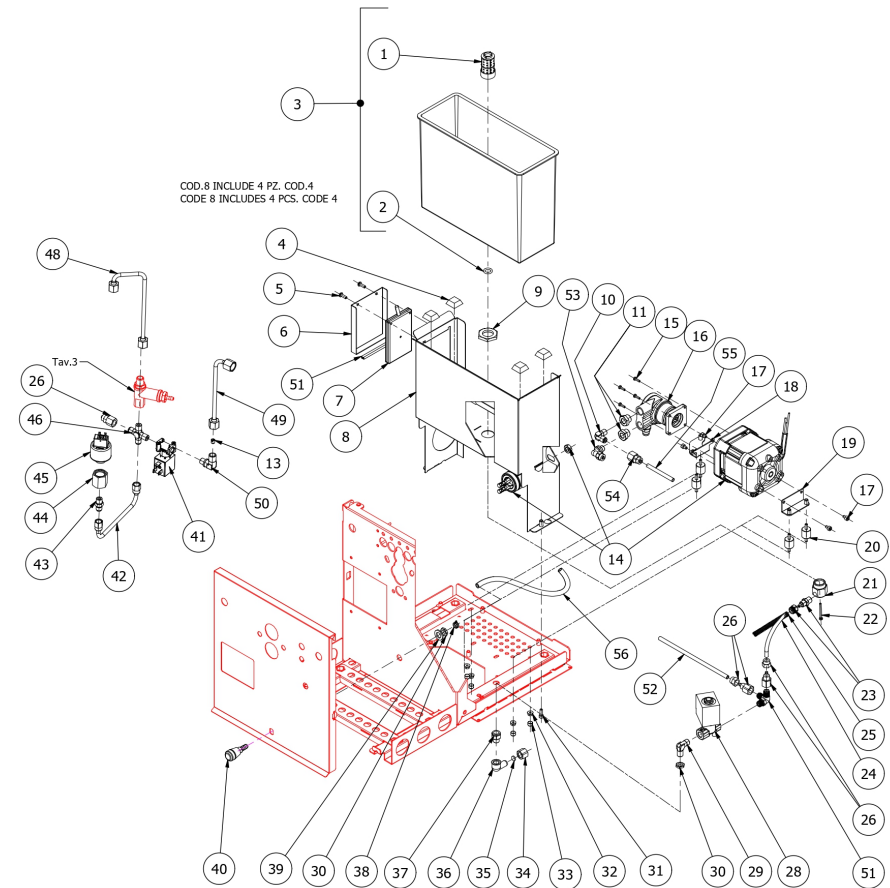
TABLE 2A - (from 01/05/2025)
MATRIX Mod. MN

| POS | CODE | DESCRIPTION |
|-----|--------------|-------------------------------------|
| 1 | 7374002 | FILTER 1/4 |
| 2 | 7496076 | GASKET OR 112 EP856 80SH |
| 3 | 5963171.01 | ASSY TANK W/FILTER DUO/MATRIX |
| 4 | 7474212 | ADHESIVE FEET |
| 5 | 7819901 | SCREW TBEI M4X12 ISO 7380 A2 INOX |
| 6 | 5055752LW | TANK LEVEL SENSOR PLATE |
| 7 | 7666006.01 | TANK LEVEL SENSOR |
| 8 | 5058463.01LL | DUO/MATRIX TANK SUPPORT W/COMPASSES |
| 9 | 5221830 | NUT M20 H5 OT |
| 10 | 7303001TR | UNION ELBOW 1/8 |
| 11 | 7304559 | REDUCTION 1/4" 1/8" |
| 13 | 5223003 | JET M6 X 6 HOLE D0.8 OT |
| 14 | 7742405 | ELECTRIC MOTOR 220/240V |
| 14 | 7741007 | ELECTRIC MOTOR 110-115V 50/60HZ |
| 15 | 7819921 | SCREW M3x10 |
| 16 | 7730514 | ROTATIVE PUMP 70L/H COMPACT |
| 17 | 7816017 | SCREW TCEI M4X6 |
| 18 | 5058515LL | MOTOR SUPPORT W/COMPASSES |
| 19 | 5058514LL | MOTOR SUPPORT W/COMPASSES |
| 20 | 7470604 | VIBRATION-DAMPING |
| 21 | 5225228.01AL | FITTING M20X1.25 ES22 H28.5 OT57USA |
| 22 | 7826206 | SCREW TCI M3X30 UNI 6107 OT |
| 23 | 7304534TR | STRAIGHT FITTING M1/8 |
| 24 | 5194717 | PTFE HOSE 6X110 |
| 25 | 5471545 | SPRING COVER TUBE PTFE |
| 26 | 7304538TR | FITTING |
| 28 | 7702414.01 | EV.2 WAYS OLAB 240V BIG COIL |
| 28 | 7701121.01 | SOLENOID VALVE 2WAY OLAB 110V BIG |
| 28 | 7702320.01 | EV.2 WAY 220/230V BIG COIL |
| 29 | 7303054TR | ELBOW FITTING 1/8" |

BEZZERA

MATRIX

TABLE 2A - (from 01/05/2025)
MATRIX Mod. MN



BEZZERA

MATRIX

TABLE 2A - (from 01/05/2025)
MATRIX Mod. MN

| POS | CODE | DESCRIPTION |
|-----|--------------|-------------------------------------|
| 30 | 5221844 | NUT 1/8 |
| 31 | 7816002 | SCREW TCEI M4X12 UNI 5931 A2 |
| 32 | 7812706 | NUT M4 |
| 33 | 5373110 | NUT COVER |
| 34 | 5221835 | CAP NUT 1/8 |
| 35 | 5492019 | GASKET D8 X 2 ASBESTOS FREE |
| 36 | 7304507TR | UNION ELBOW 1/8 |
| 37 | 7304517 | FITTING SERTO 1/8 |
| 38 | 7611512 | CLAMP |
| 39 | 7815001 | WASHER D10 UNI 6592 A2 |
| 40 | 5283062 | CONICAL DISCHARGE FITTING |
| 41 | 7702415.01 | EV.2 WAY 240V 25BAR SMALL COIL |
| 41 | 7701123.01 | EV.2 WAY 110V 25BAR SMALL COIL |
| 41 | 7702322.01 | EV.2WAY OLAB 220/230V 25BAR SMALL |
| 42 | 5162421LL | TUBE PRESSURE TRANSDUCER DUO/MATRIX |
| 43 | 7304502TR | STRAIGHT FITTING 1/8 |
| 44 | 5225420AL | FITTING 3/8 |
| 45 | 7666009 | PRESSURE SENSOR |
| 46 | 7304544TR | FITTING 1/8"G |
| 48 | 5162413LL | COFFEE BOILER DRAIN PIPE DUO/MATRIX |
| 49 | 5162412LL | BOILER SERVICE DRAIN PIPE |
| 50 | 5301504AL | ELBOW FITTING M12X1/8 |
| 51 | 7304505.01TR | ELBOW FITTING 3 WAYS |
| 52 | 5194718 | PTFE PIPE 6X110 |
| 53 | 7304536TR | UNION ELBOW D6 1/8"G RUVECO |
| 54 | 7304561TR | STRAIGHT CONNECTION F1/8 |
| 55 | 5194716 | PTFE TUBE 6X60 |
| 56 | 5194554 | SURPRESSION VALVE DRAIN HOSE |

BEZZERA

MATRIX

TABLE 2A - (from 01/05/2025)
MATRIX Mod. MN

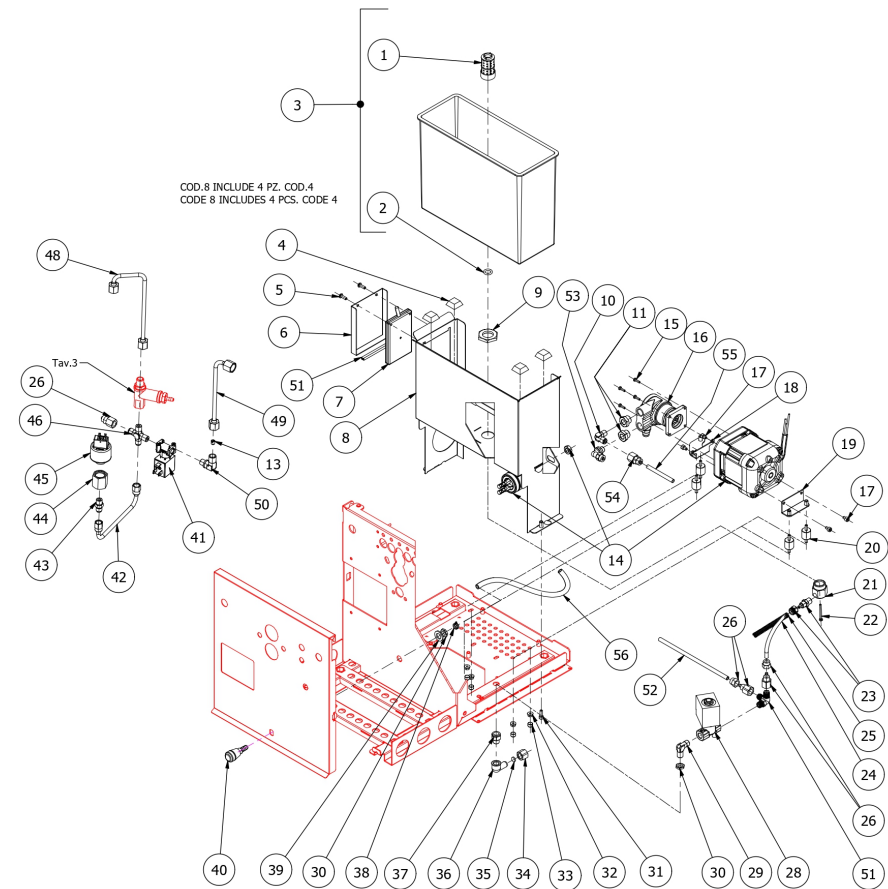


TABLE 3
MATRIX Mod. DE

| POS | CODE | DESCRIPTION |
|-----|------------|----------------------------------|
| 1 | 5283060 | DRAIN FITTING |
| 2 | 7815001 | WASHER D10 UNI 6592 A2 |
| 3 | 5221844 | NUT 1/8 |
| 4 | 7816002 | SCREW TCEI M4X12 |
| 5 | 7304507TR | UNION ELBOW 1/8 |
| 6 | 7304517 | UNION 1/8 |
| 7 | 7666005 | PRESSURE SENSOR ETX165 |
| 8 | 5162421LL | PRESSURE GAUGE HOSE |
| 9 | 7304502TR | UNION 1/8 |
| 10 | 5162415LL | L / A INPUT TUBE DUO/MATRIX |
| 11 | 5162414LL | PUMP WATER INPUT TUBE DUO/MATRIX |
| 12 | 5492019 | GASKET D8X2 |
| 13 | 5221835 | CAP NUT 1/8 |
| 14 | 7815003 | WASHER D5 UNI6592 A2 |
| 15 | 7812601 | NUT M4 STAINLESS STEEL UNI 5588 |
| 16 | 5058463LL | TANK SUPPORT |
| 17 | 7474212 | ADHESIVE FEET |
| 18 | 5221830 | NUT M20X1.25 H5 OT |
| 20 | 7819901 | SCREW TBEI M4X12 ISO 7380 A2 |
| 21 | 7666006.01 | TANK LEVEL SENSOR |
| 22 | 5194554 | HOSE D8X5 L=250 SLICONE |
| 23 | 7611516 | CLAMP 10086-BIFM086 |
| 24 | 7303001TR | UNION ELBOW 1/8 |
| 25 | 7304505TR | FITTING ELBOW 3 WAY 1/8 |
| 26 | 7304538TR | UNION STRAIGHT F1/8 |
| 27 | 5194617 | PTFE HOSE D6x140 |
| 28 | 5225228.01 | FITTING M20X1.25 H28.5 OT |
| 29 | 7304534TR | UNION STRAIGHT M 1/8 |
| 30 | 7826206 | SCREW TCI M3X30 UNI6107 OT |
| 31 | 7304001TR | UNION CROSS 1/8 |

TABLE 3
MATRIX Mod. DE

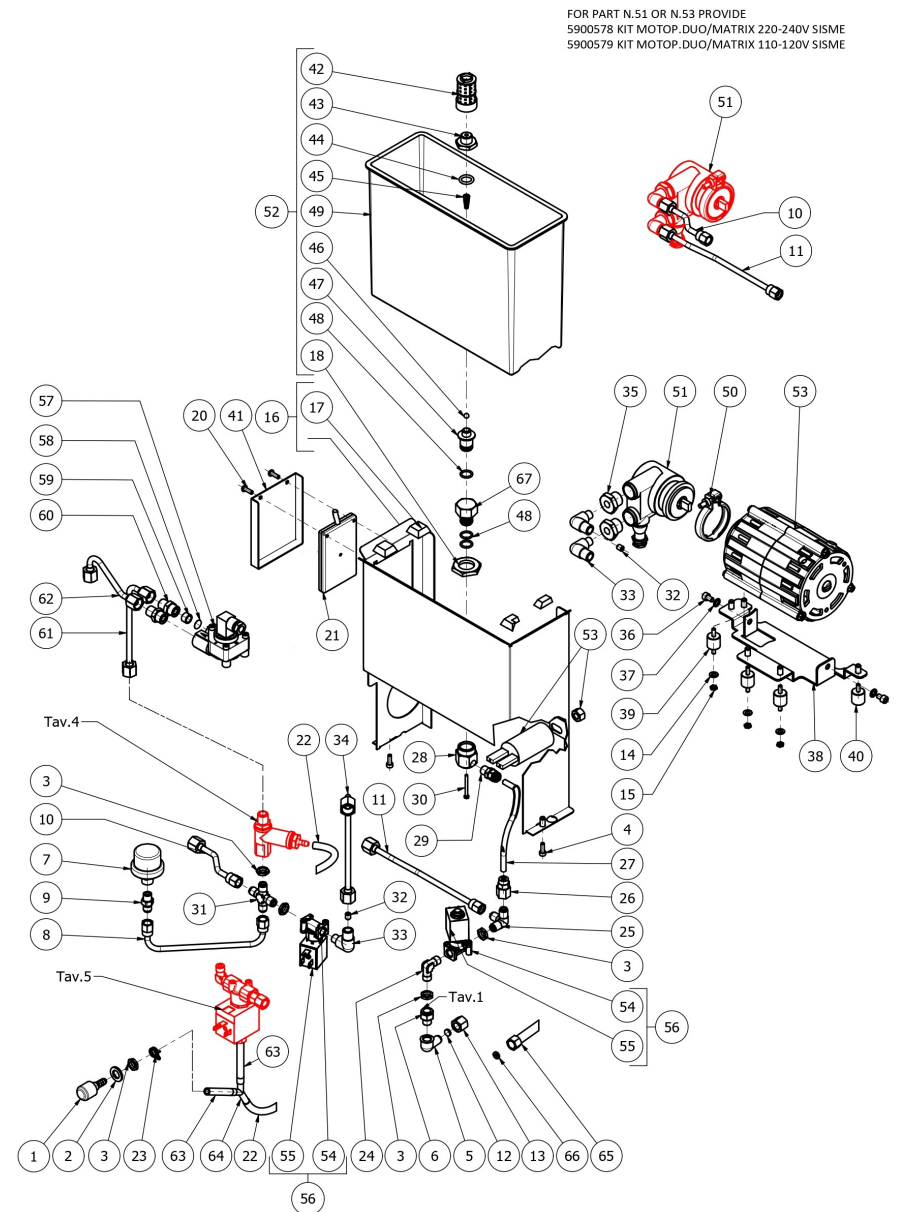


TABLE 3
MATRIX Mod. DE

| POS | CODE | DESCRIPTION |
|-----|--------------|---|
| 32 | 5223003 | JET M6X6 HOLE D0.8 BRASS |
| 33 | 5301504TR | FITTING ELBOW M12X1/8 |
| 34 | 5162412LL | BOILER LOAD HOSE |
| 35 | 5302057AL | FITTING 1/8 |
| 36 | 7816027 | SCREW TCEI M5X8 |
| 37 | 7814002 | NOTCHED WASHER D5 DIN 6798A A2 |
| 38 | 5058411LL | MOTOR SUPPORT |
| 39 | 7470604 | VIBRATION-DAMPING |
| 40 | 7474219 | RUBBER FEET D15X15 M4X10 |
| 41 | 5055752LW | TANK LEVEL SENSOR PLATE |
| 42 | 7374002 | FILTER 1/4 |
| 43 | 5302065.01AL | TANK FILTER REDUCTION |
| 44 | 7496073.01 | OR GASKET 115 EP856 |
| 45 | 5471521.01 | COUPLING SPRING |
| 46 | 5471509 | BALL 7/32 |
| 47 | 5224617 | GASKET-HOLDER D14.5X25 OT |
| 48 | 7496076 | OR GASKET 112 EP856 80SH |
| 49 | 7373012 | TANK 3 LT. CAPACITY |
| 50 | 7611508 | PUMP CLAMP |
| 51 | 7730509 | PUMP 50-70L/H+CLAMP+JOINT |
| 52 | 5963171 | ASSEMBLY TANK C / FILTER DUO/MATRIX |
| 53 | 7742404.01 | ELECTRIC MOTOR 220/240V 50/60HZ 1 GROUP |
| 53 | 7741005.01 | ELECTRIC MOTOR 110V 25MF 50/60HZ |
| 54 | 7703018 | SOLENOID VALVE WITHOUT COIL 2 WAY OLAB |
| 55 | 7630341 | SOLENOID VALVE COIL 2 WAY 220/230V OLAB |
| 55 | 7630343 | SOLENOID VALVE COIL 2 WAY 240V OLAB |
| 55 | 7630339 | SOLENOID VALVE COIL 2 WAY 110V OLAB |
| 56 | 7701123 | SOLENOID VALVE 2 WAY 110V OLAB |
| 56 | 7702415 | SOLENOID VALVE 2 WAY 240V OLAB |
| 56 | 7702322 | SOLENOID VALVE 2 WAY 220/230V OLAB |

TABLE 3
MATRIX Mod. DE

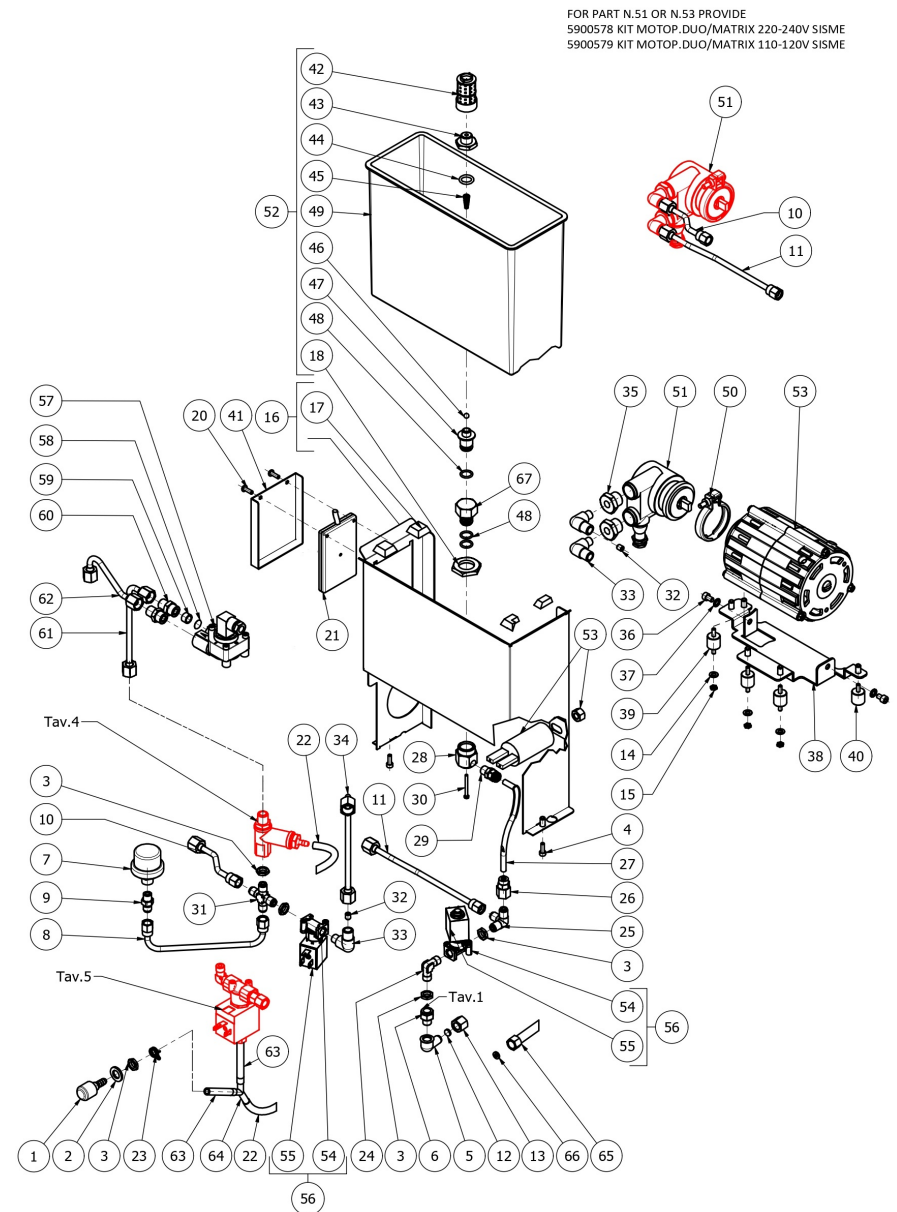
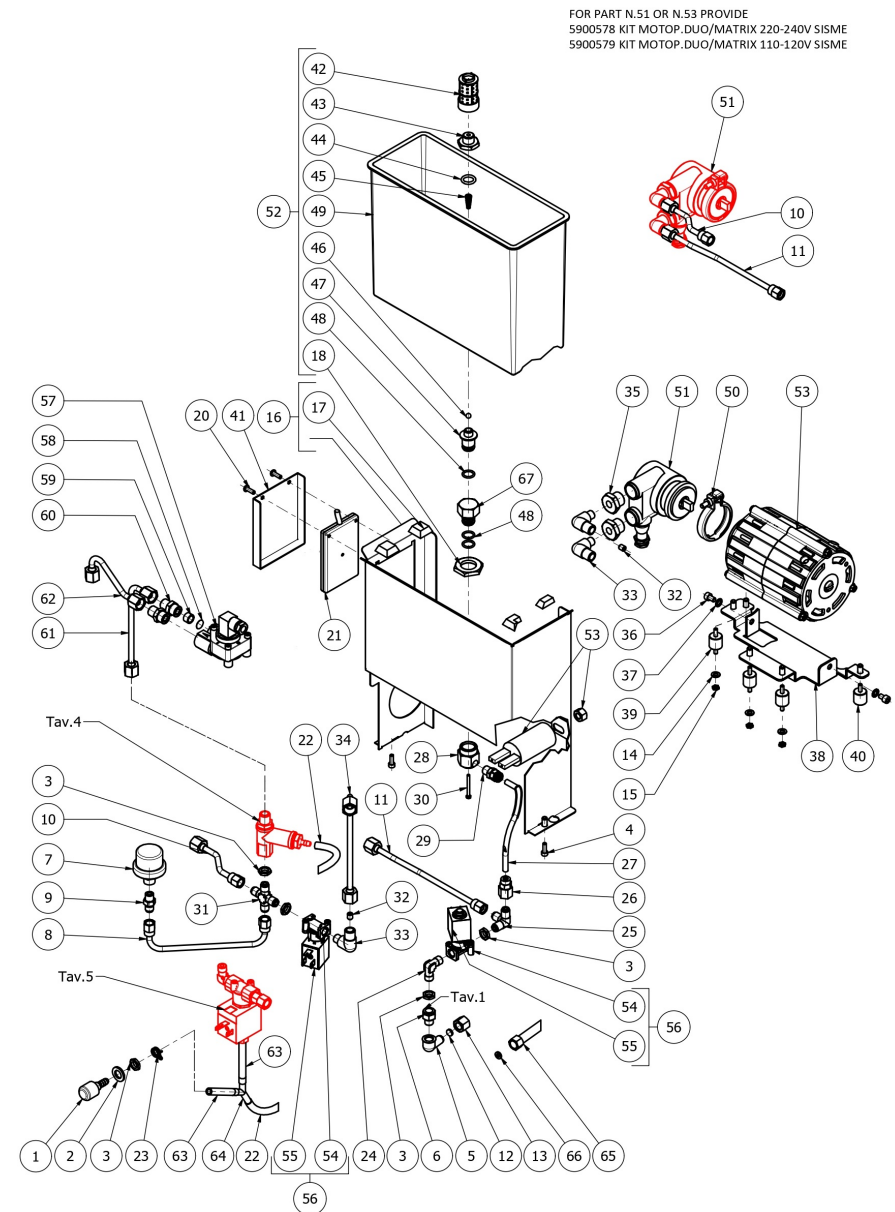


TABLE 3
MATRIX Mod. DE

| POS | CODE | DESCRIPTION |
|-----|-----------|----------------------------------|
| 57 | 7431001 | FLOW METER + AUT. WITH LED |
| 58 | 5471001 | MESH FILTER D11 AISI 304 |
| 59 | 5191501 | SPACER D11X8X6.5 PTFE |
| 60 | 5302009 | FITTING M12X1/4 |
| 61 | 5162416LL | FLOW METER INPUT TUBE DUO/MATRIX |
| 62 | 5162418LL | OUTLET HOSE FLOW METER |
| 63 | 5194532 | HOSE D8X5 L=60 SLICONE |
| 64 | 7303039 | FITTING |
| 65 | 7200514 | FLEXIBLE HOSE |
| 66 | 7492004 | GASKET D8.5X4.2X1.5 |
| 67 | 5226416AL | PLUG HEXAGONAL 22 x 26.5 |

TABLE 3
MATRIX Mod. DE



BEZZERA

MATRIX

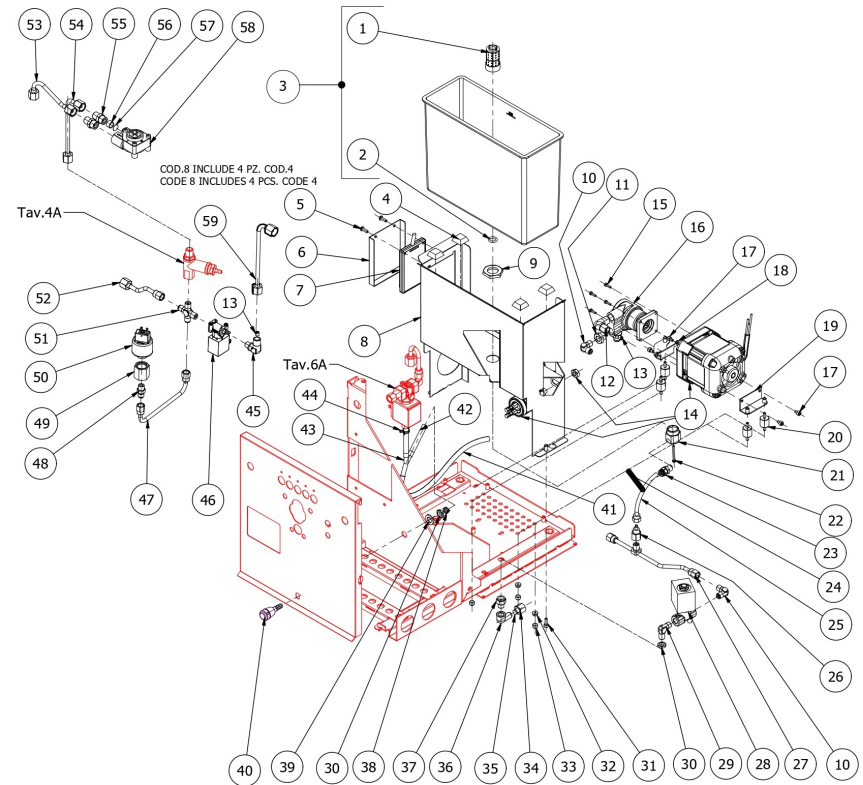
TABLE 3A - (from 01/05/2025)
 MATRIX Mod. DE

| POS | CODE | DESCRIPTION |
|-----|--------------|-------------------------------------|
| 1 | 7374002 | FILTER 1/4 |
| 2 | 7496076 | GASKET OR 112 EP856 80SH |
| 3 | 5963171.01 | ASSY TANK W/FILTER DUO/MATRIX |
| 4 | 7474212 | ADHESIVE FEET |
| 5 | 7819901 | SCREW TBEI M4X12 ISO 7380 A2 INOX |
| 6 | 5055752LW | TANK LEVEL SENSOR PLATE |
| 7 | 7666006.01 | TANK LEVEL SENSOR |
| 8 | 5058463.01LL | DUO/MATRIX TANK SUPPORT W/COMPASSES |
| 9 | 5221830 | NUT M20 H5 OT |
| 10 | 7303001TR | UNION ELBOW 1/8 |
| 11 | 7304559 | REDUCTION 1/4" 1/8" |
| 13 | 5223003 | JET M6 X 6 HOLE D0.8 OT |
| 14 | 7742405 | ELECTRIC MOTOR 220/240V |
| 14 | 7741007 | ELECTRIC MOTOR 110-115V 50/60HZ |
| 15 | 7819921 | SCREW M3x10 |
| 16 | 7730514 | ROTATIVE PUMP 70L/H COMPACT |
| 17 | 7816017 | SCREW TCEI M4X6 |
| 18 | 5058515LL | MOTOR SUPPORT W/COMPASSES |
| 19 | 5058514LL | MOTOR SUPPORT W/COMPASSES |
| 20 | 7470604 | VIBRATION-DAMPING |
| 21 | 5225228.01AL | FITTING M20X1.25 ES22 H28.5 OT57USA |
| 22 | 7826206 | SCREW TCI M3X30 UNI 6107 OT |
| 23 | 7304534TR | STRAIGHT FITTING M1/8 |
| 24 | 5471545 | SPRING COVER TUBE PTFE |
| 25 | 5194717 | PTFE HOSE 6X110 |
| 26 | 7304538TR | FITTING |
| 28 | 7702414.01 | EV.2 WAYS OLAB 240V BIG COIL |
| 28 | 7702320.01 | EV.2 WAY 220/230V BIG COIL |
| 28 | 7701121.01 | SOLENOID VALVE 2WAY OLAB 110V BIG |
| 29 | 7303054TR | ELBOW FITTING 1/8" |

BEZZERA

MATRIX

TABLE 3A - (from 01/05/2025)
 MATRIX Mod. DE



BEZZERA

MATRIX

TABLE 3A - (from 01/05/2025)
MATRIX Mod. DE

| POS | CODE | DESCRIPTION |
|-----|------------|-------------------------------------|
| 30 | 5221844 | NUT 1/8 |
| 31 | 7816002 | SCREW TCEI M4X12 UNI 5931 A2 |
| 32 | 7812706 | NUT M4 |
| 33 | 5373110 | NUT COVER |
| 34 | 5221835 | CAP NUT 1/8 |
| 35 | 5492019 | GASKET D8 X 2 ASBESTOS FREE |
| 36 | 7304507TR | UNION ELBOW 1/8 |
| 37 | 7304517 | FITTING SERTO 1/8 |
| 38 | 7611512 | CLAMP |
| 39 | 7815001 | WASHER D10 UNI 6592 A2 |
| 40 | 5283062 | CONICAL DISCHARGE FITTING |
| 41 | 5194554 | SURPRESSION VALVE DRAIN HOSE |
| 42 | 5194532 | D8 X 1.5 SILICONE HOSE |
| 43 | 7303039 | FITTING |
| 44 | 7611516 | CLAMP 10086 |
| 45 | 5301504AL | ELBOW FITTING M12X1/8 |
| 46 | 7702415.01 | EV.2 WAY 240V 25BAR SMALL COIL |
| 46 | 7701123.01 | EV.2 WAY 110V 25BAR SMALL COIL |
| 46 | 7702322.01 | EV.2WAY OLAB 220/230V 25BAR SMALL |
| 47 | 5162421LL | TUBE PRESSURE TRANSDUCER DUO/MATRIX |
| 48 | 7304502TR | STRAIGHT FITTING 1/8 |
| 49 | 5225420AL | FITTING 3/8 |
| 50 | 7666009 | PRESSURE SENSOR |
| 51 | 7304544TR | FITTING 1/8"G |
| 53 | 5162418LL | EXIT TUBE VOLUMETRIC COUNTER |
| 54 | 5162416LL | INLET TUBE VOLUMETRIC COUNTER DUO/ |
| 55 | 5471019 | FILTER D8,5X5 AISI304 |
| 56 | 5302009AL | FITTING M12X1/4 |
| 57 | 5191501 | SPACER D11X8X6.5 PTFE |
| 57 | 5471001 | NET FILTER D11 AISI 304 |

BEZZERA

MATRIX

TABLE 3A - (from 01/05/2025)
MATRIX Mod. DE

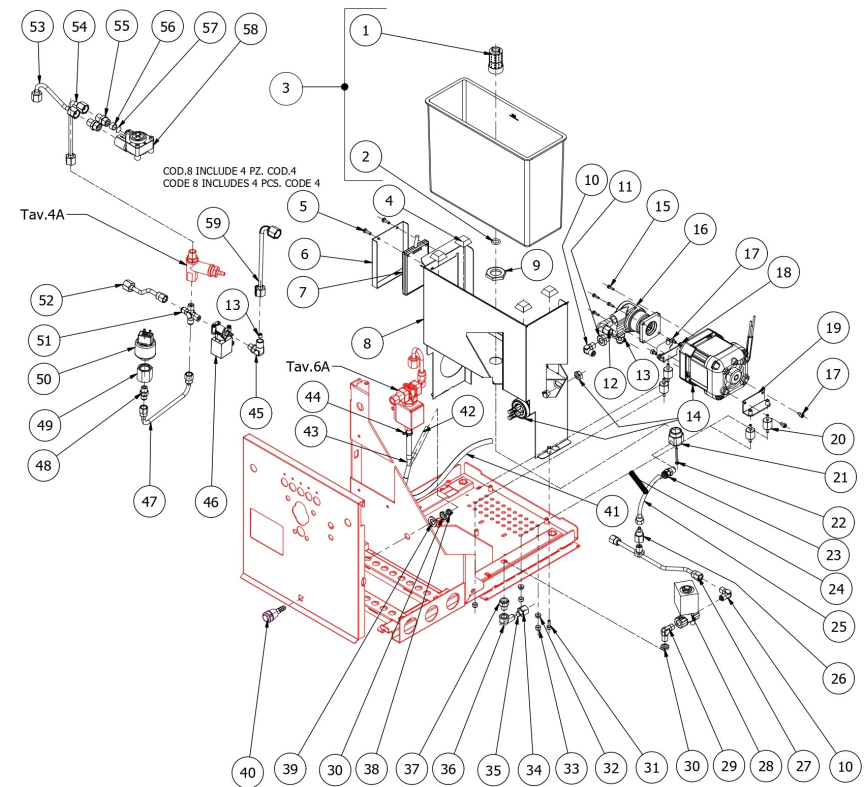
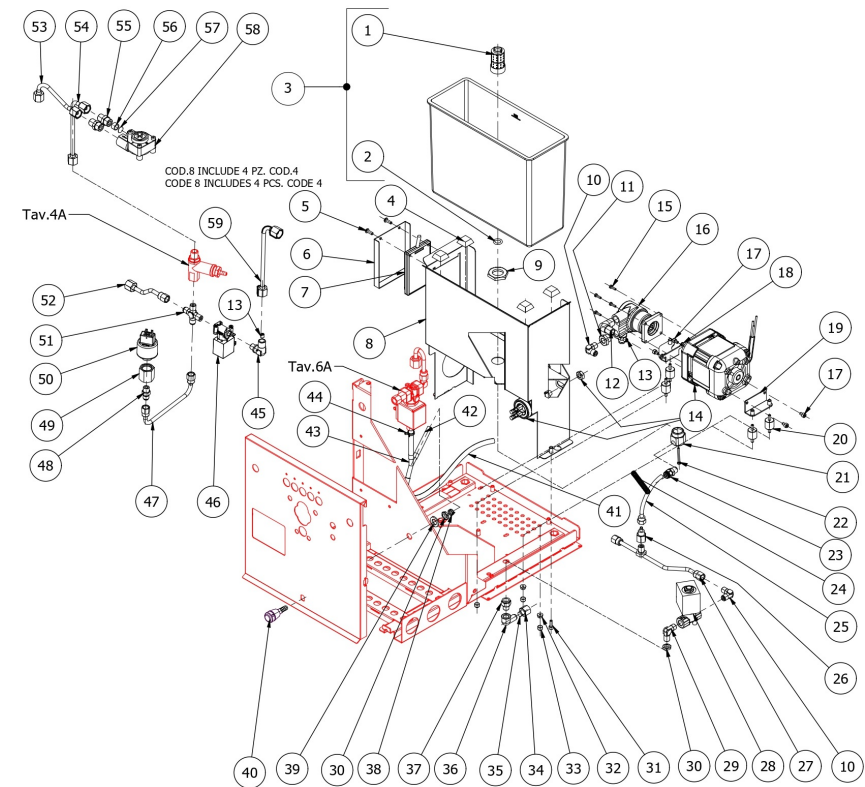


TABLE 3A - (from 01/05/2025)
 MATRIX Mod. DE

| POS | CODE | DESCRIPTION |
|-----|--------------|----------------------------------|
| 58 | 7431001.01 | VOLUMETRIC COUNTER+AUTOMATIC LED |
| 59 | 5162412LL | BOILER SERVICE DRAIN PIPE |
| 61 | 7304505.01TR | ELBOW FITTING 3 WAYS |
| 62 | 5194718 | PTFE PIPE 6X110 |
| 63 | 7304536TR | UNION ELBOW D6 1/8"G RUVECO |
| 64 | 7304561TR | STRAIGHT CONNECTION F1/8 |
| 65 | 5194716 | PTFE TUBE 6X60 |

TABLE 3A - (from 01/05/2025)
 MATRIX Mod. DE



BEZZERA

MATRIX

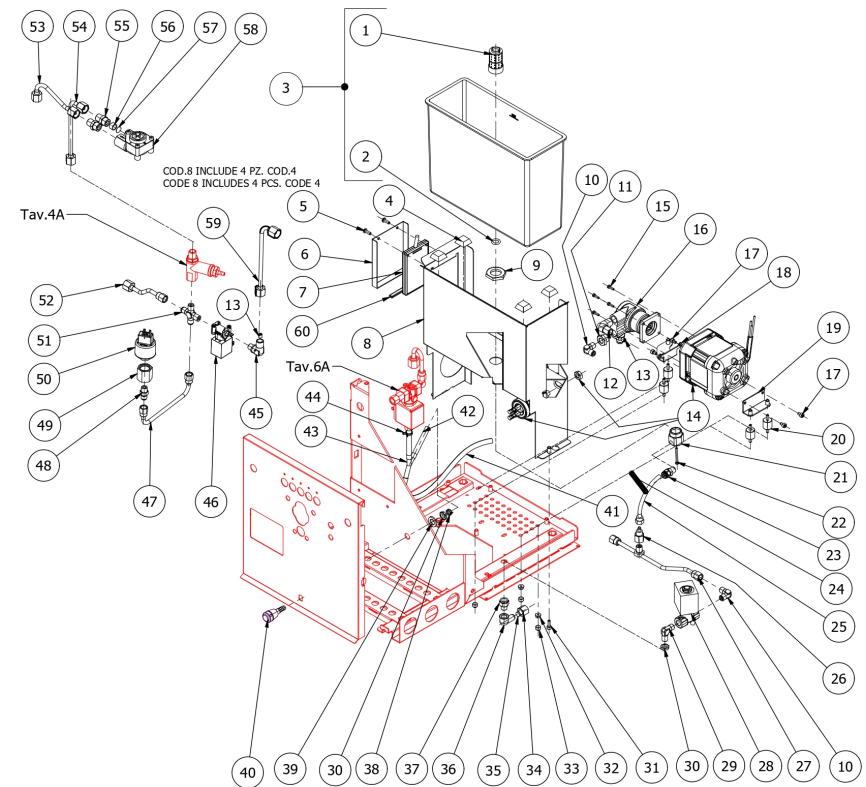
TABLE 3A - (up to 30/04/2025)
MATRIX Mod. DE

| POS | CODE | DESCRIPTION |
|-----|--------------|--|
| 1 | 7374002 | FILTER 1/4 |
| 2 | 7496076 | GASKET OR 112 EP856 80SH |
| 3 | 5963171.01 | ASSY TANK W/FILTER DUO/MATRIX |
| 4 | 7474212 | ADHESIVE FEET |
| 5 | 7819901 | SCREW TBEI M4X12 ISO 7380 A2 INOX |
| 6 | 5055752LW | TANK LEVEL SENSOR PLATE |
| 7 | 7666006.01 | TANK LEVEL SENSOR |
| 8 | 5058463.01LL | DUO/MATRIX TANK SUPPORT W/COMPASSES |
| 9 | 5221830 | NUT M20 H5 OT |
| 10 | 7303001TR | UNION ELBOW 1/8 |
| 11 | 7304559 | CYLINDRICAL MF REDUCTION G1/4 |
| 12 | 5301512.01AL | ELBOW FITTING M12X1/4 |
| 13 | 5223003 | JET M6 X 6 HOLE D0.8 OT |
| 14 | 7741007 | ELECTRIC MOTOR 110-115V 50/60HZ |
| 14 | 7742405 | ELECTRIC MOTOR 220/240V |
| 15 | 7819921 | SCREW M3x10 |
| 16 | 7730514 | ROTATIVE PUMP 70L/H COMPACT |
| 17 | 7816017 | SCREW TCEI M4X6 |
| 18 | 5058515LL | DUO FRONT ENGINE SUPPORT WITH BUSHINGS |
| 19 | 5058514LL | DUO REAR ENGINE SUPPORT WITH BUSHINGS |
| 20 | 7470604 | VIBRATION-DAMPING |
| 21 | 5225228.01AL | FITTING M20X1.25 ES22 H28.5 OT57USA |
| 22 | 7826206 | SCREW TCI M3X30 UNI 6107 OT |
| 23 | 7304534TR | STRAIGHT FITTING M1/8 |
| 24 | 5471545 | SPRING COVER TUBE PTFE |
| 25 | 5194638 | TUBE PTFE 6X75 |
| 26 | 7304538TR | FITTING |
| 27 | 5221806 | NUT 1/8 |
| 28 | 7702414.01 | EV.2 WAYS OLAB 240V BIG COIL |
| 28 | 7701121.01 | SOLENOID VALVE 2WAY OLAB 110V BIG |

BEZZERA

MATRIX

TABLE 3A - (up to 30/04/2025)
MATRIX Mod. DE



BEZZERA

MATRIX

TABLE 3A - (up to 30/04/2025)

MATRIX Mod. DE

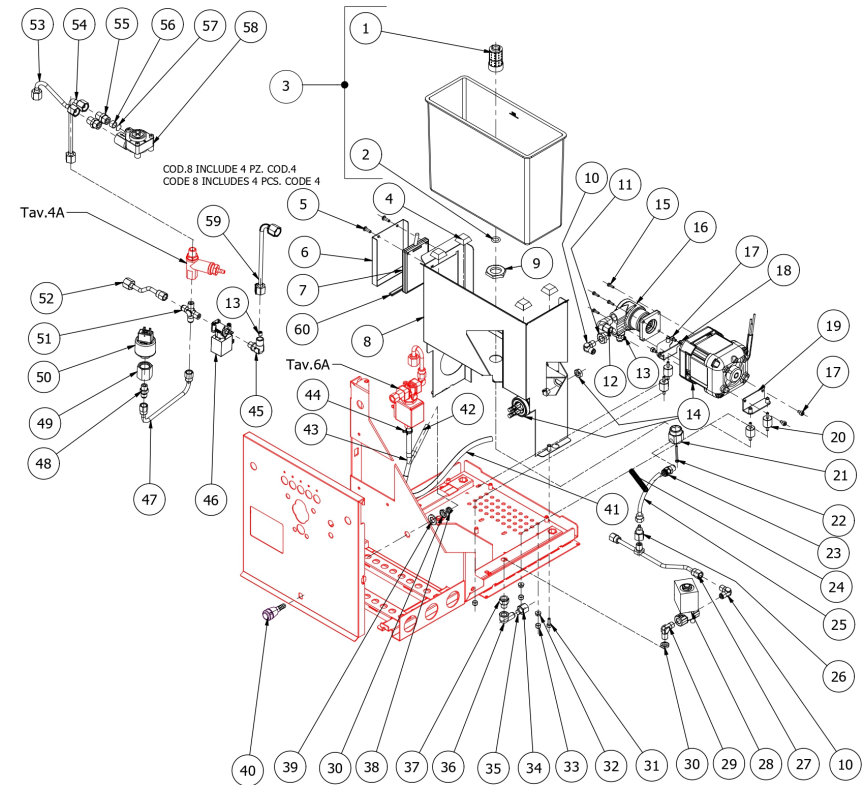
| POS | CODE | DESCRIPTION |
|-----|------------|-------------------------------------|
| 28 | 7702320.01 | EV.2 WAY 220/230V BIG COIL |
| 29 | 7303054TR | ELBOW FITTING 1/8 |
| 30 | 5221844 | NUT 1/8 |
| 31 | 7816002 | SCREW TCEI M4X12 UNI 5931 A2 |
| 32 | 7812706 | NUT M4 |
| 33 | 5373110 | NUT COVER |
| 34 | 5221835 | CAP NUT 1/8 |
| 35 | 5492019 | GASKET D8 X 2 ASBESTOS FREE |
| 36 | 7304507TR | UNION ELBOW 1/8 |
| 37 | 7304517 | FITTING SERTO 1/8 |
| 38 | 7611512 | CLAMP |
| 39 | 7815001 | WASHER D10 UNI 6592 A2 |
| 40 | 5283062 | CONICAL DISCHARGE FITTING |
| 41 | 5194554 | SURPRESSION VALVE DRAIN HOSE |
| 42 | 5194532 | D8 X 1.5 SILICONE HOSE |
| 43 | 7303039 | FITTING |
| 44 | 7611516 | CLAMP 10086 |
| 45 | 5301504AL | ELBOW FITTING M12X1/8 |
| 46 | 7702322.01 | EV.2WAY OLAB 220/230V 25BAR SMALL |
| 46 | 7701123.01 | EV.2 WAY 110V 25BAR SMALL COIL |
| 46 | 7702415.01 | EV.2 WAY 240V 25BAR SMALL COIL |
| 47 | 5162421LL | TUBE PRESSURE TRANSDUCER DUO/MATRIX |
| 48 | 7304502TR | STRAIGHT FITTING 1/8 |
| 49 | 5225420AL | FITTING 3/8 |
| 50 | 7666009 | PRESSURE SENSOR |
| 51 | 7304544TR | FITTING 1/8"G |
| 52 | 5162536LL | INLET TUBE L/A DUO MOT.SISME |
| 53 | 5162418LL | EXIT TUBE VOLUMETRIC COUNTER |
| 54 | 5162416LL | INLET TUBE VOLUMETRIC COUNTER DUO/ |
| 55 | 5471019 | FILTER D8,5X5 AISI304 |

BEZZERA

MATRIX

TABLE 3A - (up to 30/04/2025)

MATRIX Mod. DE



BEZZERA**MATRIX**

TABLE 3A - (up to 30/04/2025)
 MATRIX Mod. DE

| POS | CODE | DESCRIPTION |
|-----|------------|----------------------------------|
| 55 | 5302009AL | FITTING M12X1/4 |
| 56 | 5191501 | SPACER D11X8X6.5 PTFE |
| 57 | 5471001 | NET FILTER D11 AISI 304 |
| 58 | 7431001.01 | VOLUMETRIC COUNTER+AUTOMATIC LED |
| 59 | 5162412LL | BOILER SERVICE DRAIN PIPE |
| 60 | 5859956 | SHEATH TYPE |

BEZZERA**MATRIX**

TABLE 3A - (up to 30/04/2025)
 MATRIX Mod. DE

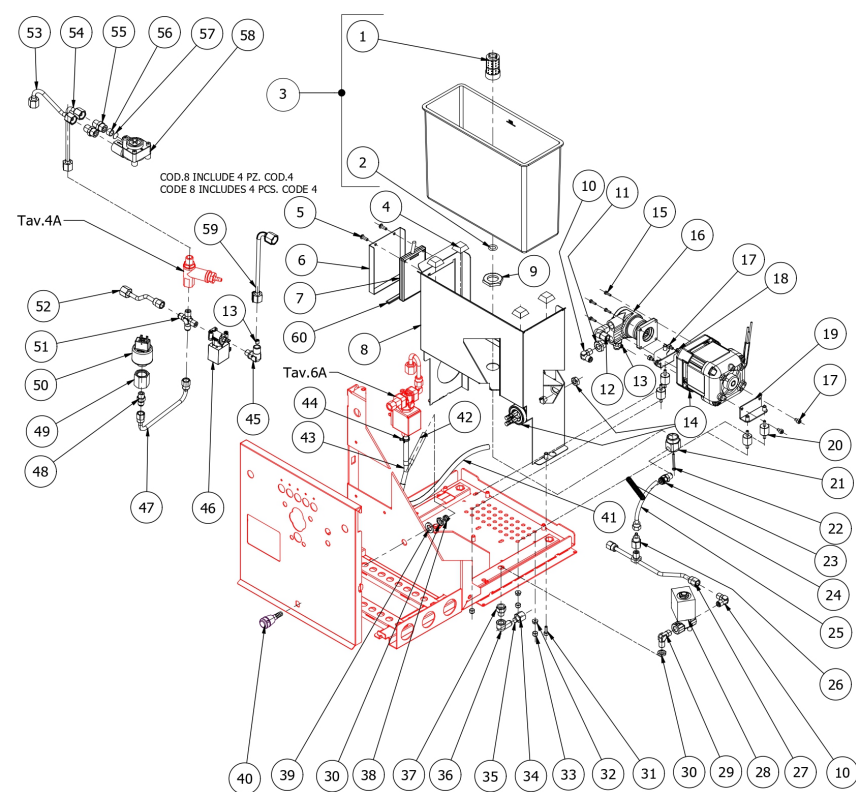


TABLE 4
MATRIX Mod. MN/DE

| POS | CODE | DESCRIPTION |
|-----|--------------|--------------------------------------|
| 1 | 5493042 | GASKET D11X3 EPDM 80SH |
| 2 | 5471539 | CALIBRATED SPRING D1.6 H21.5 AISI302 |
| 3 | 7496018 | OR GASKET 105 VITON |
| 4 | 5471505 | CALIBRATED SPRING D0.45 H22 AISI302 |
| 5 | 7496052 | OR GASKET 114 VITON |
| 6 | 5471019 | FILTER D8,5X5 AISI304 |
| 7 | 5283053TP | SURPRESSION VALVE BODY |
| 8 | 5224615TP | GASKET-HOLDER S/PB-NI |
| 9 | 5302017TP | FITTING M20X1.25 H28.5 OT |
| 10 | 5302077TP | RIBBER-HOLDER FITTING |
| 11 | 5224620TP | GASKET-HOLDER OT S/PB |
| 12 | 5965212.01AL | ASSEMBLY SURPRESSION VALVE 12BAR |

TABLE 4
MATRIX Mod. MN/DE

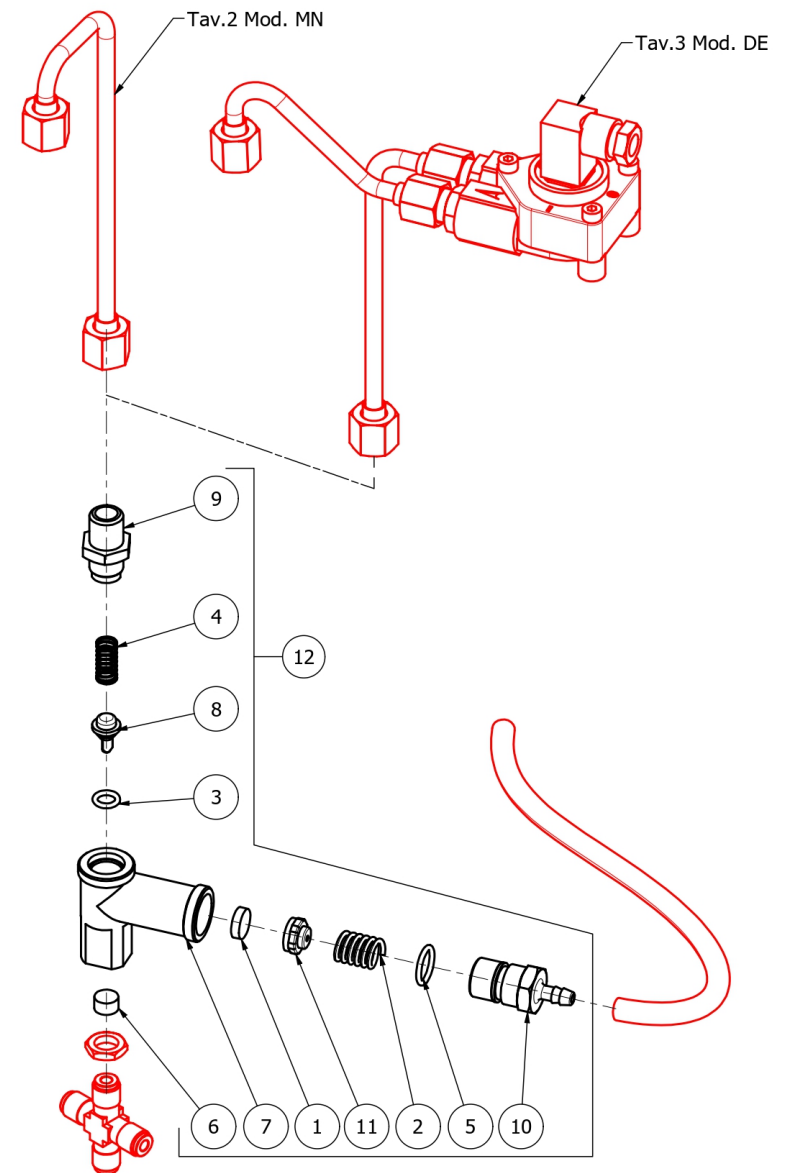


TABLE 4A
MATRIX Mod. MN/DE

| POS | CODE | DESCRIPTION |
|-----|--------------|-------------------------------------|
| 1 | 5302017AL | FITTING M12 ES16 H26.5 OT57USA |
| 2 | 5471505 | CALIBRATED SPRING D0.45 H22 AISI302 |
| 3 | 5224615AL | GASKET-HOLDER SURP.VALVE OT57USA |
| 4 | 7496018 | OR GASKET 105 |
| 5 | 5302077AL | FITTING PORT.M14X1 OTXTUBO6X4 OT57U |
| 6 | 7496052 | OR GASKET 114 VITON |
| 7 | 5471539 | CALIBRATED SPRING D.1,6 |
| 8 | 5224620AL | GASKET-HOLDER ES.12X6.8 OT57USA |
| 9 | 5493042 | GASKET D.11X3 |
| 10 | 5283053TP | SURPRESSION VALVE BODY |
| 11 | 5471019 | FILTER D8,5X5 AISI304 |
| 12 | 5965212.01AL | ASSY OPV ADJUST. 9/12 BAR |

TABLE 4A
MATRIX Mod. MN/DE

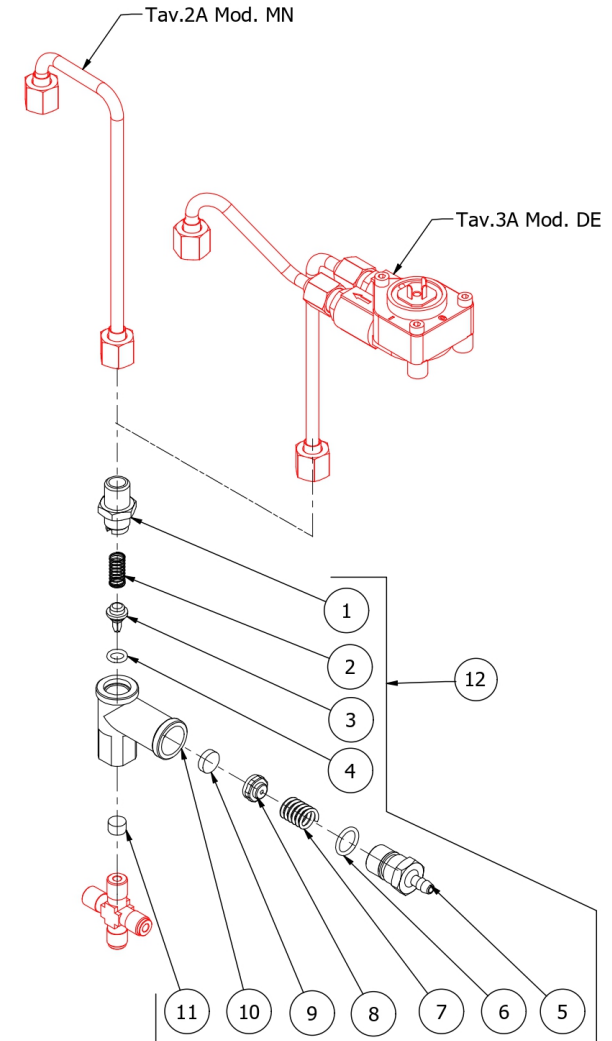


TABLE 5
MATRIX Mod. MN

| POS | CODE | DESCRIPTION |
|-----|-----------|--------------------------------|
| 1 | 5163374LL | UPPER HEATING HOSE |
| 2 | 5164092LL | BOTTOM HEATING HOSE |
| 3 | 5320527BL | COFFEE BOILER DUO/MATRIX |
| 4 | 5494016 | GASKET 56X42X2 |
| 5 | 5302006TP | FITTING M12 X 1/8 |
| 6 | 5192320 | SUCTION HOSE D6X1 L=60MM PTFE |
| 7 | 7666008 | PROBE T.PID AISI316 D3 |
| 8 | 7814001 | WASHER D4 DIN 6798A A2 |
| 9 | 7663573 | GROUND WIRE |
| 10 | 5722313TP | HEATING ELEMENT 115V 800W |
| 10 | 5722312TP | HEATING ELEMENT 230V 800W |
| 11 | 5301507TR | FITTING ELBOW M13X3/8 |
| 12 | 7826212 | SCREW TCI M4X6 UNI6107 OT |
| 13 | 7434009 | THERMOSTAT MANUAL 16A 135°C |
| 14 | 5164091R | UPPER HEATING HOSE |
| 15 | 5302011 | FITTING 3/8 |
| 16 | 7303044TR | FITTING 3/8 |
| 17 | 5495008 | GASKET D23x17.2x3 |
| 18 | 9991014 | COFFEE BOILER COVER DUO/MATRIX |

TABLE 5
MATRIX Mod. MN

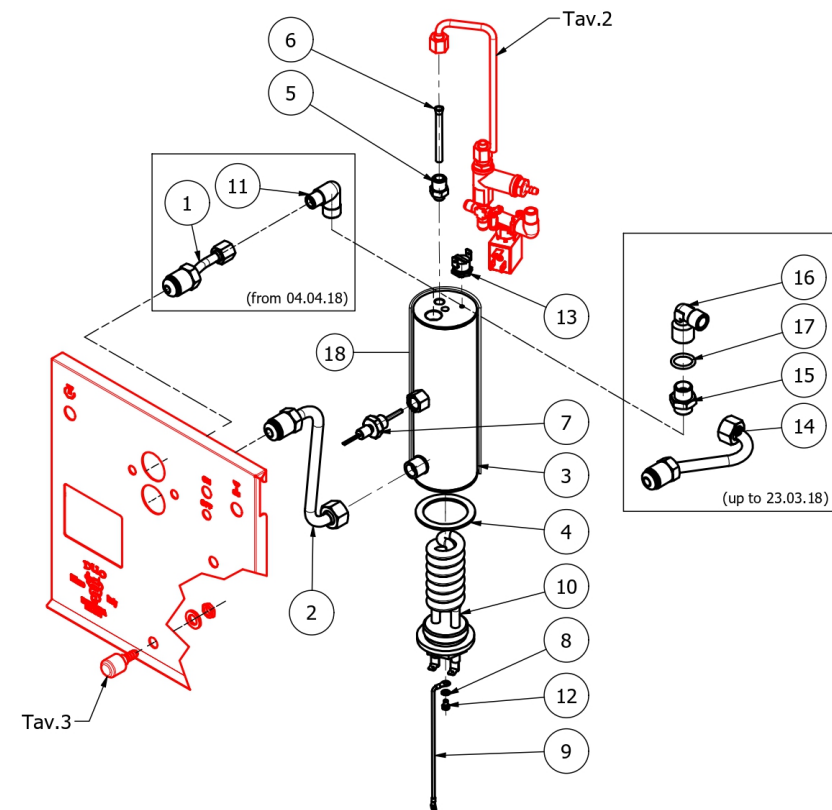


TABLE 6
MATRIX Mod. DE

| POS | CODE | DESCRIPTION |
|-----|-----------|---|
| 1 | 5320527BL | COFFEE BOILER DUO/MATRIX |
| 2 | 5494016 | GASKET 56X42X2 |
| 3 | 5302006TP | FITTING M12 X 1/8 |
| 4 | 5192320 | SUCTION HOSE D6X1 L=60MM PTFE |
| 5 | 7666008 | PROBE T.PID AISI316 D3 |
| 6 | 7814001 | WASHER D4 DIN 6798A A2 |
| 7 | 7663573 | GROUND WIRE |
| 8 | 5722312TP | HEATING ELEMENT 230V 800W |
| 8 | 5722313TP | HEATING ELEMENT 115V 800W |
| 9 | 7823001 | DOWEL 1/8 |
| 10 | 7826212 | SCREW TCI M4X6 UNI6107 OT |
| 11 | 7434009 | THERMOSTAT MANUAL 16A 135°C |
| 12 | 5302005TP | FITTING M13 X 3/8 |
| 13 | 5370313 | RUBBER-HOLDER |
| 14 | 7303001TR | UNION ELBOW 1/8 |
| 15 | 5194532 | HOSE D8X5 L=60 SLICONE |
| 16 | 7303039 | FITTING |
| 17 | 5162417LL | GROUP INPUT TUBE DUO/MATRIX |
| 18 | 5194554 | HOSE D8X5 L=250 SLICONE |
| 19 | 7304541TR | STRAIGHT ROTARY FITTING |
| 20 | 7703016 | SOLENOID VALVE WITHOUT COIL 3 WAY OLAB |
| 21 | 7630340 | SOLENOID VALVE COIL 2-3 WAY 220/230V OLAB |
| 22 | 7702319 | SOLENOID VALVE 3 WAY 220/230V OLAB |
| 22 | 7702412 | SOLENOID VALVE 3 WAY 240V OLAB |
| 22 | 7701120 | SOLENOID VALVE 3 WAY 110V OLAB |
| 23 | 9991014 | COFFEE BOILER COVER DUO/MATRIX |

TABLE 6
MATRIX Mod. DE

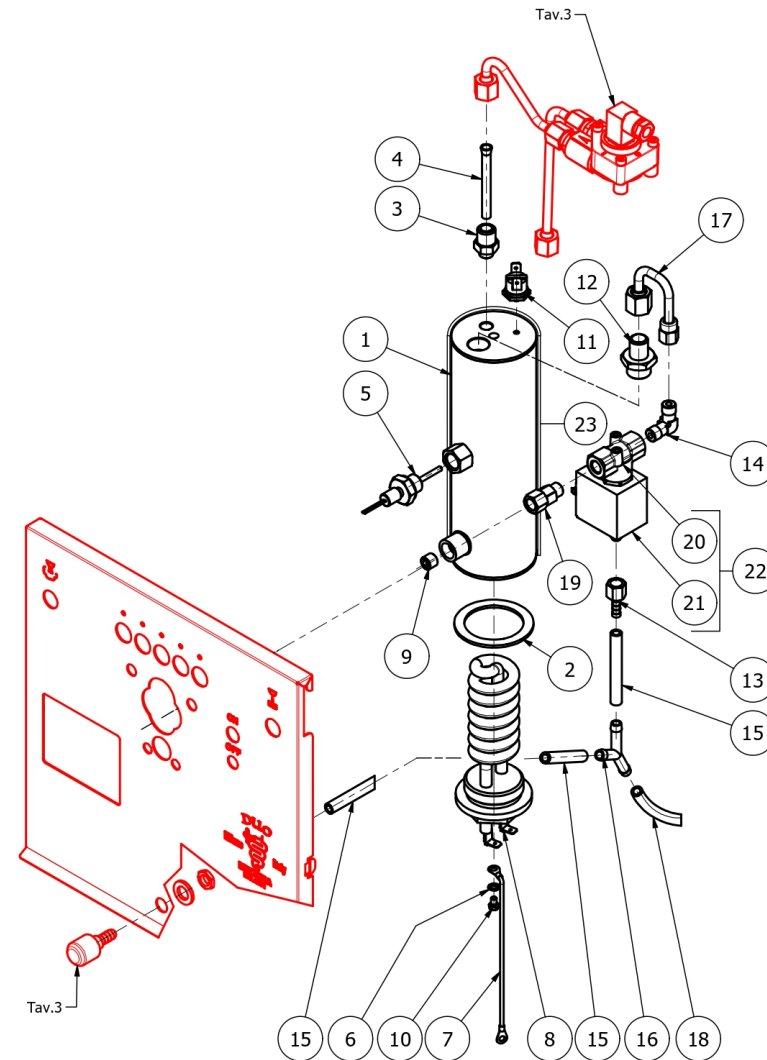


TABLE 6A
MATRIX Mod. DE

| POS | CODE | DESCRIPTION |
|-----|------------|------------------------------------|
| 1 | 5192320 | DRAW OUT D6X1 L=60 PTFE |
| 2 | 5302006AL | FITTING M12X1/8 |
| 3 | 7434009 | THERMOSTAT MANUAL 16A 135°C |
| 4 | 5302005AL | FITTING M13X3/8 |
| 5 | 5320527BL | COFFEE BOILER DUO/MATRIX BRILLIANT |
| 6 | 7666008 | PROBE X THERMOPID AISI316 D3 |
| 7 | 7823001TP | HEADLESS SCREW 1/8 |
| 8 | 5494016 | GASKET D56X42X2 |
| 9 | 5722315AL | HEATING ELEMENT 115V 800W |
| 9 | 5722314AL | HEATING ELEMENT 230V 800W |
| 10 | 7663573.01 | RESISTANCE CONNECTION CABLE |
| 11 | 5058127LW | STAFFA CALD.CAF.DUO/MATRIX DE |
| 12 | 7826212 | SCREW TCI M4X6 UNI 6107 OT |
| 13 | 7814001 | WASHER D4 DIN 6798A A2 |
| 14 | 7304558 | FITTING 1/8 1/8 |
| 15 | 5162417LL | INTEL TUBE GROUP DUO/MATRIX(BZ) |
| 16 | 7303001TR | UNION ELBOW 1/8 |
| 17 | 7702419 | SOLENOID VALVE 3 WAYS 110/120V |
| 17 | 7702420 | EV.3 VIE ODE 220V 60HZ |
| 17 | 7702418 | SOLENOID VALVE 3 WAYS ODE 230/240V |
| 18 | 5370313 | GROUP E.VALVE DRAIN RUBBER HOLDER |
| 19 | 9991014 | COFFEE BOILER COVER DUO/MATRIX |

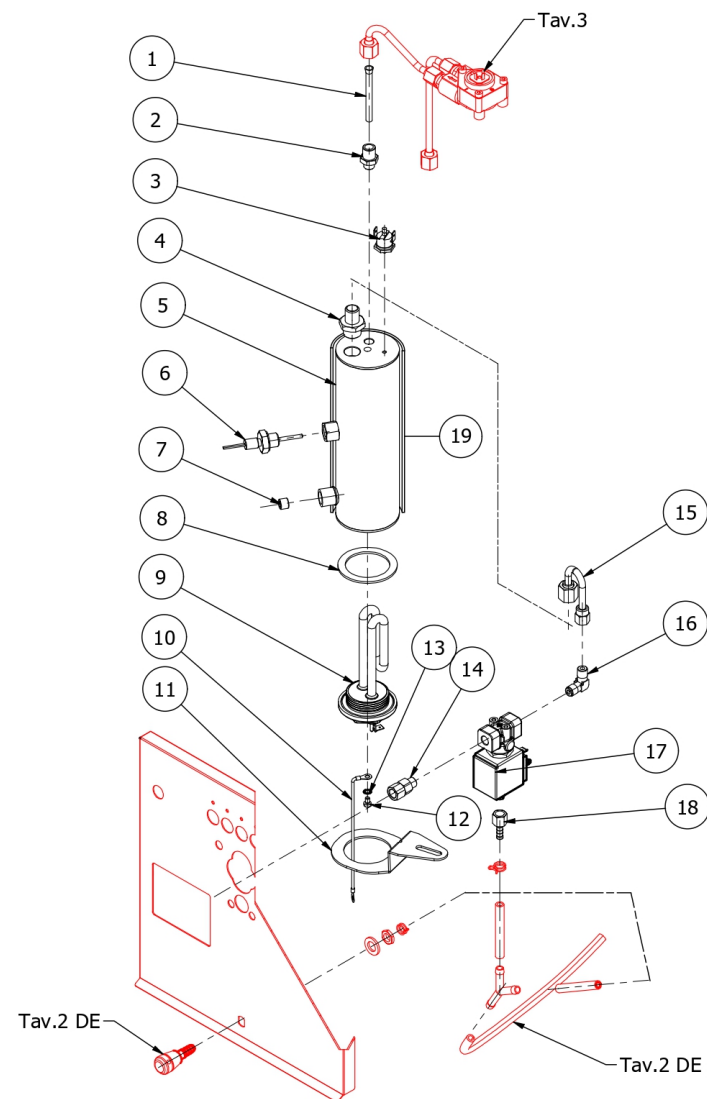
TABLE 6A
MATRIX Mod. DE

TABLE 7
MATRIX Mod. MN/DE

| POS | CODE | DESCRIPTION |
|-----|--------------|-------------------------------------|
| 1 | 7615002 | DOUBLE FASTON 45° HOLE D6.3 |
| 2 | 5225416TP | FITTING M12XM13 H29,5 S/OR S/PB-NI |
| 3 | 7816002 | SCREW TCEI M4X12 |
| 4 | 7814001 | WASHER D4 DIN 6798A A2 |
| 5 | 5162420LL | STEAM HOSE DUO/MATRIX |
| 6 | 5162419LL | WATER HOSE |
| 7 | 5320528BL | BOILER SERV.MATRIX/DUO |
| 8 | 5302006TP | FITTING M12X1/8 |
| 9 | 5302009 | FITTING M12X1/4 |
| 10 | 5225209TP | FITTING M10X1/4 |
| 11 | 5192321 | SUCTION HOSE D6X1 L=140MM PTFE |
| 12 | 5301506TR | FITTING ELBOW M13X1/4 |
| 13 | 7666008 | PROBE T.PID AISI316 D3 |
| 14 | 7452509.02 | SICURITY VALVE 3/8 |
| 15 | 7452511.01 | VALVE OT+TF |
| 16 | 7434009 | THERMOSTAT MANUAL 16A 135°C |
| 17 | 7496040 | OR GASKET D73X3 VITON 75SH |
| 18 | 7816422 | SCREW TE M6X14 UNI5739/DIN933 A2 |
| 19 | 7816017 | SCREW TCEI M4X6 |
| 20 | 5058125LW | BOILER BRACKET SERVICES DUO/MATRIX |
| 21 | 5225205 | FITTING M10x1 OT |
| 22 | 5192001 | PROBE SHEATH D8X45 HOLE D3 |
| 23 | 5265807 | LEVEL PROBE 2/3/4 GR D3X90X6.3 |
| 24 | 5722239.02AL | HEATING ELEMENT 220/240V 1100/1300W |
| 24 | 5721128.01AL | HEATING ELEMENT 120V 1200W |
| 25 | 9991015 | MATRIX/DUO SERVICE BOILER COVER |

TABLE 7
MATRIX Mod. MN/DE

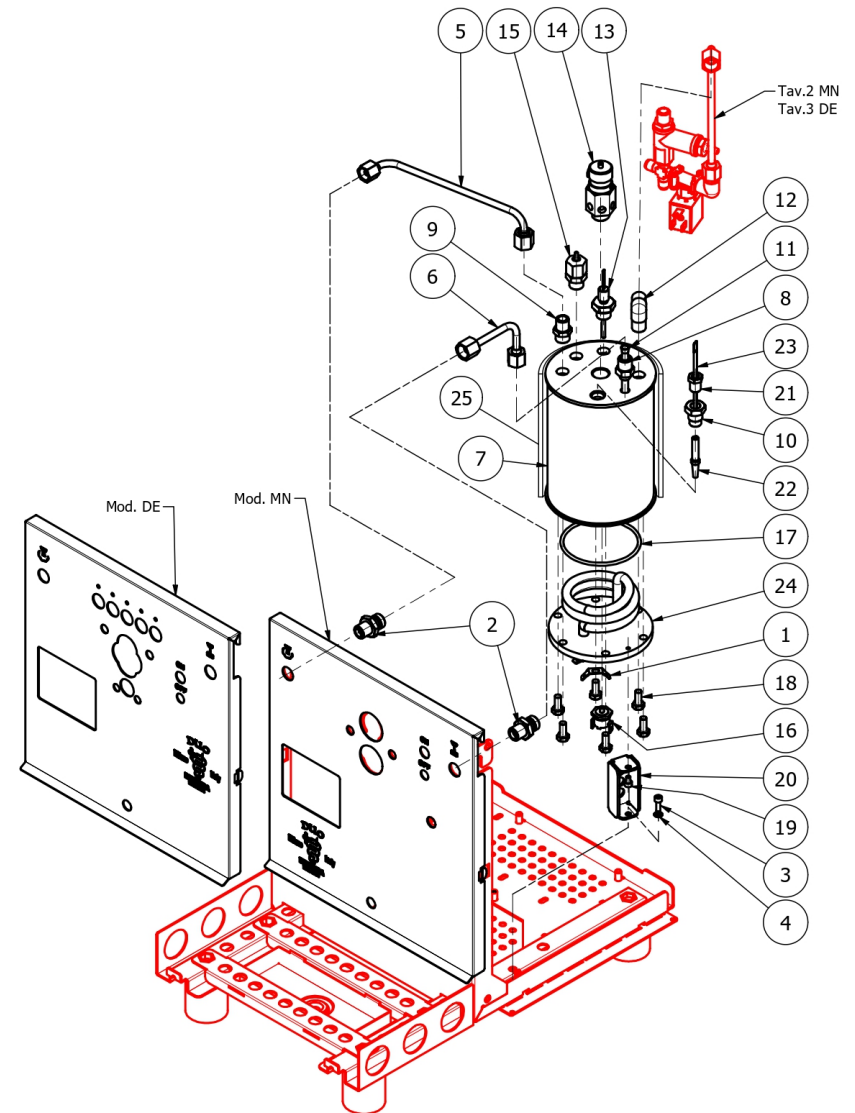


TABLE 7A
MATRIX Mod. MN/DE

| POS | CODE | DESCRIPTION |
|-----|--------------|-------------------------------------|
| 1 | 5225416.01AL | FITTING M14XM13 ES19 H31 WITHOUT OR |
| 2 | 5162419LL | WATER TUBE DUO/MATRIX |
| 3 | 5302009AL | FITTING M12X1/4 |
| 4 | 5162420LL | STEAM TUBE DUO/MATRIX |
| 5 | 7452511.01 | ANTI-PRESSURE VALVE RC OT + TF |
| 6 | 7452509.02 | SAFETY VALVE 3/8 |
| 7 | 7666008 | PROBE X THERMOPID AISI316 D3 |
| 8 | 5192321 | PESCANTE D6X1 L=140 PTFE |
| 9 | 5302006AL | FITTING M12X1/8 |
| 10 | 5301506TR | UNION ELBOW M13X1/4 |
| 11 | 5265807 | LEVEL PROBE 2-3-4GR. D3X90X6.3 AISI |
| 12 | 5225205 | STRAIGHT FITTING M10 OT |
| 13 | 5225209AL | FITTING M10X1/4 |
| 14 | 5192001 | PROBE SHEATH D8 X 45 HOLE D3 PTFE |
| 15 | 5320528BL | SERVICE BOILER DUO/MATRIX BRILLIANT |
| 16 | 7496040 | OR GASKET D73 X 3 VITON |
| 17 | 5721128.01AL | HEATING ELEMENT 120V 1200W |
| 17 | 5722239.02AL | HEATING ELEMENT 220/240V-1100/1300W |
| 18 | 7816422 | SCREW TE M6X14 UNI 5739 OT |
| 19 | 7615002 | DOUBLE FASTON 90° HOLE D6.3 |
| 20 | 7434009 | THERMOSTAT MANUAL 16A 135°C |
| 21 | 5057012 | WASHER 4X9X0.7 AISI304 2B |
| 22 | 7816002 | SCREW TCEI M4X12 UNI 5931 A2 |
| 23 | 7814001 | WASHER D4 DIN 6798A A2 |
| 24 | 7816009 | SCREW TCEI M4X10 UNI 5931A2 |
| 25 | 5058125LW | BOILER BRACKET DUO / MATRIX |
| 26 | 9991015 | MATRIX/DUO SERVICE BOILER COVER |

TABLE 7A
MATRIX Mod. MN/DE

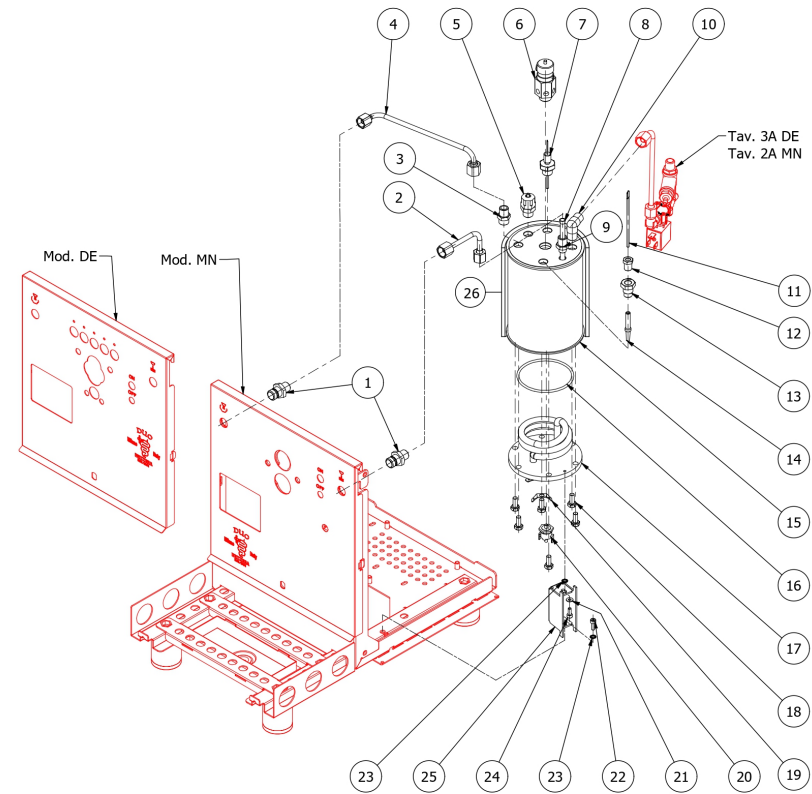


TABLE 8A
MATRIX Mod. MN

| POS | CODE | DESCRIPTION |
|-----|-----------|---------------------------------|
| 1 | 7811402 | NUT M8 UNI5587 A2 |
| 2 | 7493011 | INSULATING |
| 3 | 5267013 | TIE ROD M8X31 ASTM A 193 B8 C/1 |
| 4 | 7479951 | CAMS LOCK STUD |
| 5 | 7479948 | CAP D15XM6 |
| 6 | 7479947 | WASHER D8 |
| 7 | 7479931 | DELIVERY LEVER |
| 8 | 7372004 | WOODEN KNOB |
| 9 | 7479971 | PLUG CHROMED |
| 10 | 7479970 | SPRING |
| 11 | 7479969 | BUSHING |
| 12 | 7479968 | WASHER EP079 15.5X7.5X4 |
| 13 | 7479967 | CAM FLANGE |
| 14 | 7479949 | CAM FLANGE ASSY |
| 15 | 7479935 | GASKET TF Ø35X30X2 |
| 16 | 7479950 | GROUND CAMS TREE |
| 17 | 7479946 | ASSEMBLY VALVE |
| 18 | 7479936 | DELIVERY VALVE SPRING |
| 19 | 7479942 | SPRING GUIDE BUSHING |
| 20 | 7479957 | LOWER SLEEVE ASSY |
| 21 | 7479943 | ASSEMBLY RELIEF VALVE |
| 22 | 7479944 | DRAIN SPRING |
| 23 | 7479945 | JET-BREAKER BUSHING Ø15X6 |
| 24 | 7479960 | GASKET TF D26x21x2 |
| 25 | 7479961 | GROUP BOTTOM FITTING |
| 26 | 5493039 | GASKET H8 E61 GROUP |
| 27 | 5471022 | INOX SHOWER FILTER |
| 28 | 7479941 | SPRAYER D.30 |
| 29 | 7479940AL | LEVER BODY GROUP CHROMED OT57 |
| 30 | 7479938 | GASKET TF 10X6X1 |

TABLE 8A
MATRIX Mod. MN

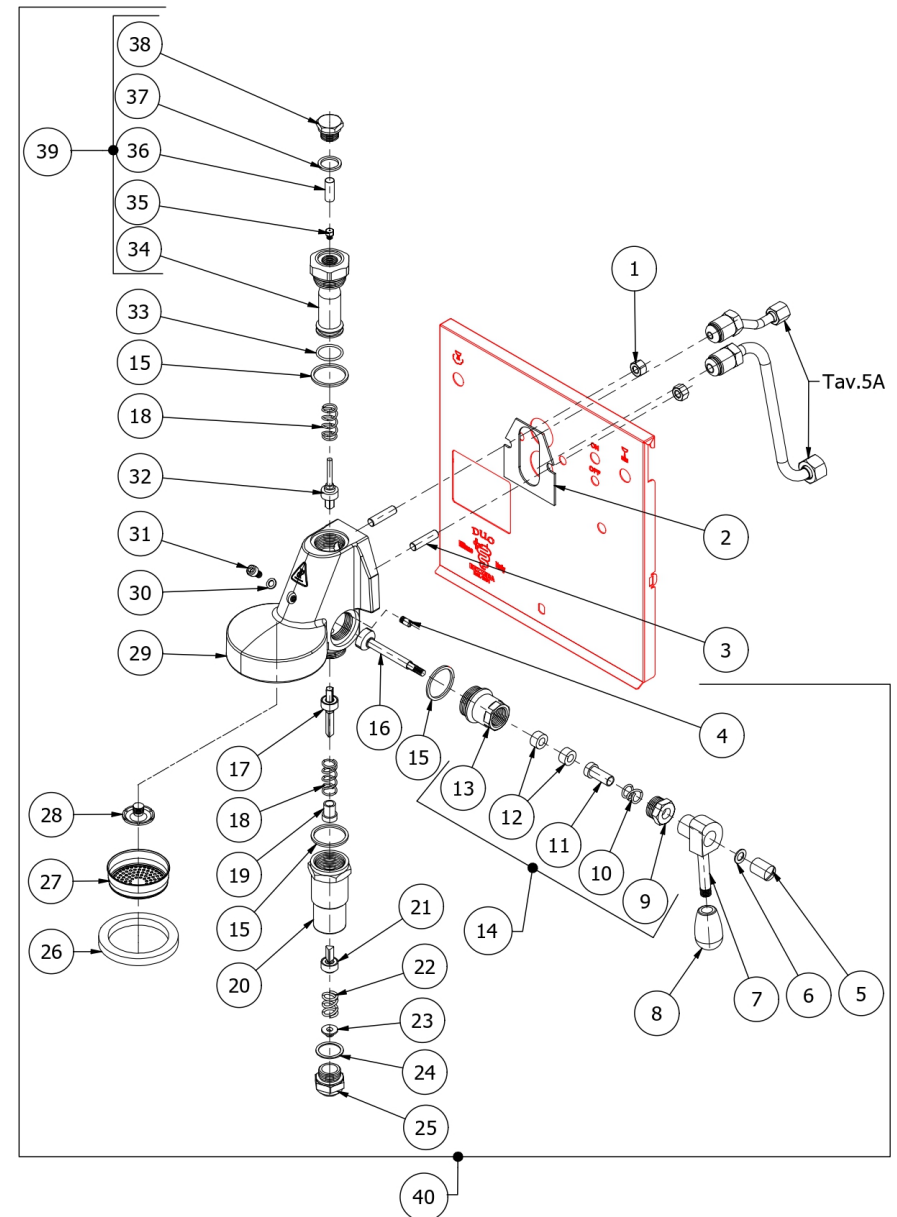


TABLE 8A
MATRIX Mod. MN

| POS | CODE | DESCRIPTION |
|-----|-------------|---------------------------------|
| 31 | 7479939 | SCREW TCE M6X8 |
| 32 | 7479937 | DELIVERY VALVE ASSY |
| 33 | 7479934 | GASKET OR 128 VITON |
| 34 | 7479956.01 | UPPER SLEEVE ASSY |
| 35 | 7479955.01 | INJECTOR CH7X9 M6X0.75 HOLE 0.7 |
| 36 | 7479954 | INOX FILTER D.8,5X22 |
| 37 | 7479953 | GASKET TF 22X17X2 |
| 38 | 7479952DL | UPPER ASSY PLUG |
| 39 | 7479933.01 | INJECTOR 0,7 UPPER SLEEVE ASSY |
| 40 | 5963576.01R | ASSY E61 GROUP OT57 (WOOD) |

TABLE 8A
MATRIX Mod. MN

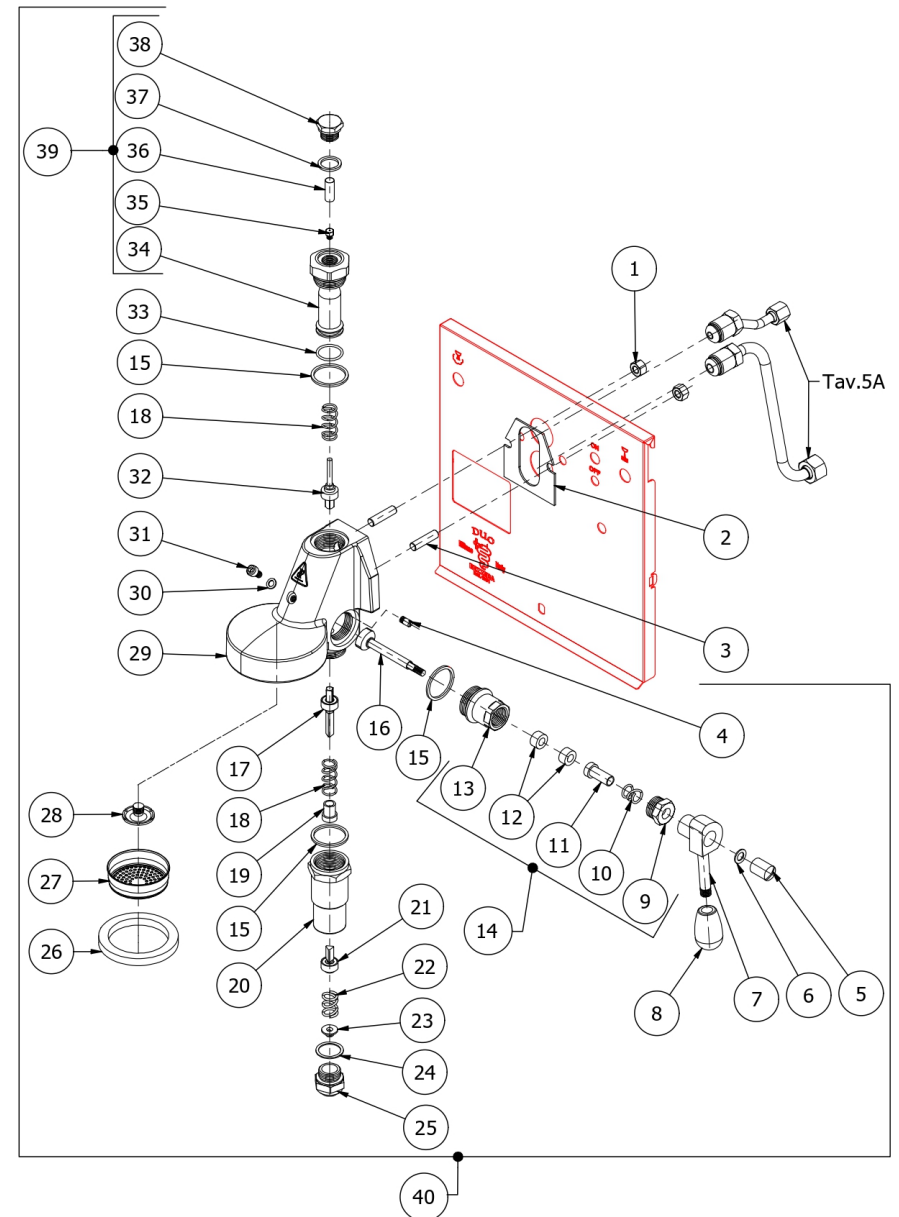


TABLE 9
MATRIX Mod. DE

| POS | CODE | DESCRIPTION |
|-----|--------------|-------------------------------------|
| 1 | 5073032LW | BZ16 LED COVERAGE |
| 2 | 7663623 | WHITE LEDS 12V |
| 3 | 7809811 | SCREW TCI M3X16 DIN85 PLASTIC |
| 4 | 7822602 | NUT M3 |
| 5 | 5221863CM | CAP NUT M8 CHROMED |
| 6 | 7496004 | OR GASKET 139 |
| 7 | 7816001 | SCREW TCEI M5X12 UNI5931 A2 |
| 8 | 5470501 | SHOWER D57 AISI 304 |
| 9 | 7817001 | SCREW TPS M5X16 A2 |
| 10 | 7496092 | OR GASKET 55X8.1 NBR75SH PEROX ALI |
| 11 | 5285501AL | SHOWER-HOLDER D57 H7,5 |
| 12 | 7304502TR | UNION 1/8 |
| 13 | 7493013 | GASKET BZ07 GROUP |
| 14 | 7816015 | SCREW TCEI M8X25 UNI5931 A2 |
| 15 | 5280502TW-AL | COUPLING RING OT CHROMED |
| 16 | 5283059TW-AL | GROUP BODY BZ OT60-LF |
| 17 | 7819901 | SCREW TBEI M4X12 ISO 7380 A2 |
| 18 | 5056107LL | REINFORCEMENT FRAME DUO / MATRIX DE |
| 19 | 7666003 | PROBE FOR PID WITH DIAM.4MM RING |
| 20 | 7814001 | WASHER D4 DIN 6798A A2 |
| 21 | 7826212 | SCREW TCI M4X6 UNI6107 OT |
| 22 | 5963098.01 | ASSEMBLY HEATING ELEMENT 220/240V |
| 22 | 5963097.01 | ASSEMBLY HEATING ELEMENT 110V |
| 23 | 5963575.02 | ASSEMBLY GROUP BZ |

TABLE 9
MATRIX Mod. DE

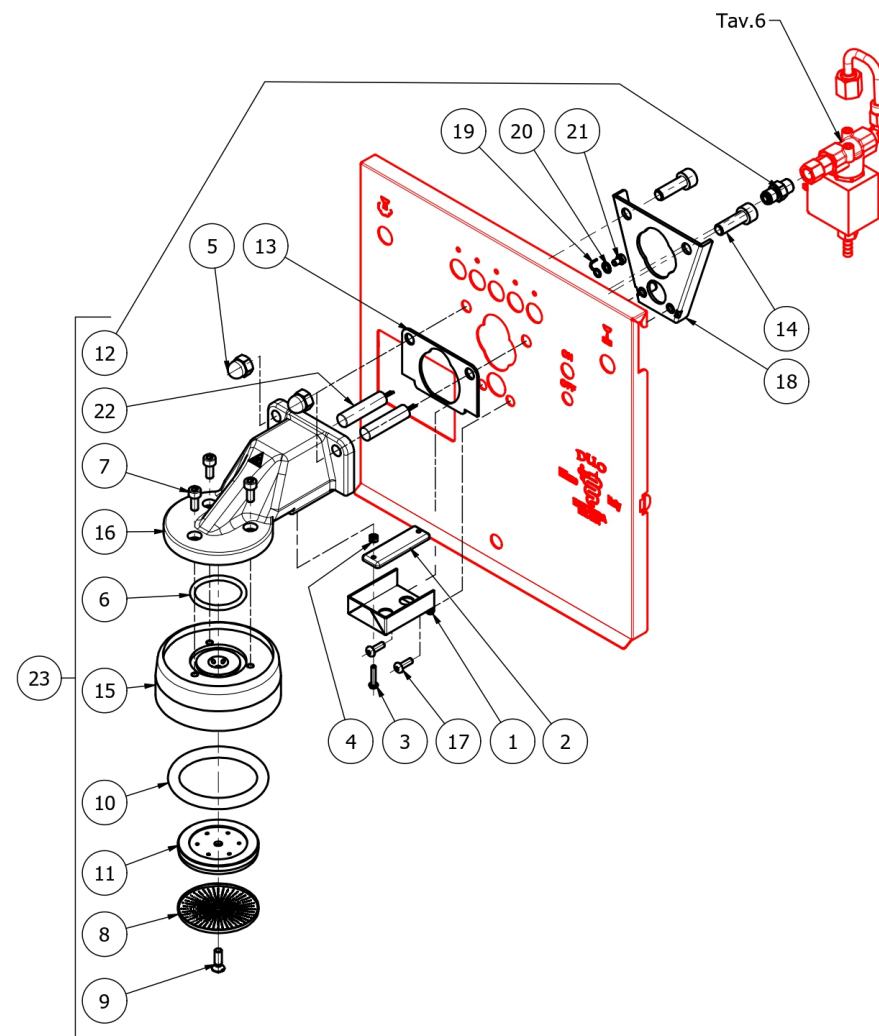


TABLE 9A
MATRIX Mod. DE

| POS | CODE | DESCRIPTION |
|-----|-----------------|------------------------------------|
| 1 | 7809903 | SCREWS POLIERS M5X16 A4 AISI316 |
| 2 | 5470501 | SHOWER D57 AISI 304 |
| 3 | 5285501AL | SHOWER-HOLDER D57 H7.5 OT60LF |
| 4 | 7493022 | COUPLING RING RED GASKET BZ GROUP |
| 5 | 5280502TW-AL | COUPLING RING DENICROMAL |
| 6 | 7496004.01 | GASKET OR 139 VITON FDA |
| 7 | 5283059.02TW-AL | BZ GROUP BODY |
| 8 | 7816001 | SCREW TCEI M5X12 UNI 5931 A2 |
| 9 | 5963306 | ASSY CARTDRIDGE 110V 100W |
| 9 | 5963182.01 | ASSY HEATING ELEMENT CARTRIDGE |
| 10 | 7304502TR | STRAIGHT FITTING 1/8 |
| 11 | 5963583.01 | ASSY GROUP BZ NEW GUAR.OR 110-120V |
| 11 | 5963575.06 | ASSY BZ GROUP W/NEW OR GASKET 220- |
| 12 | 5221863CM | CAP NUT M8 ES.14 H17 OT CHROMED |
| 13 | 7493013 | GASKET BZ07 GROUP |
| 14 | 7666013 | PROBE RING FOR PID |
| 15 | 7814001 | WASHER D4 DIN 6798A A2 |
| 16 | 7826212 | SCREW TCI M4X6 UNI 6107 OT |
| 17 | 7816015 | SCREW TCEI M8X25 UNI 5931 A2 |
| 18 | 5056107LW | RINF.TELAIO DUO/MATRIX DE |
| 19 | 7663623 | WHITE LED 12V |
| 20 | 5073032LW | BZ16 LED SUPPORT |
| 21 | 7809811 | PLASTIC SCREW TCI M3X16 DIN85 |
| 22 | 7819901 | SCREW TBEI M4X12 ISO 7380 A2 INOX |
| 23 | 7822602 | NUT M3 OT |
| 24 | 5962543 | ASSY GROUP LED BZ16 |

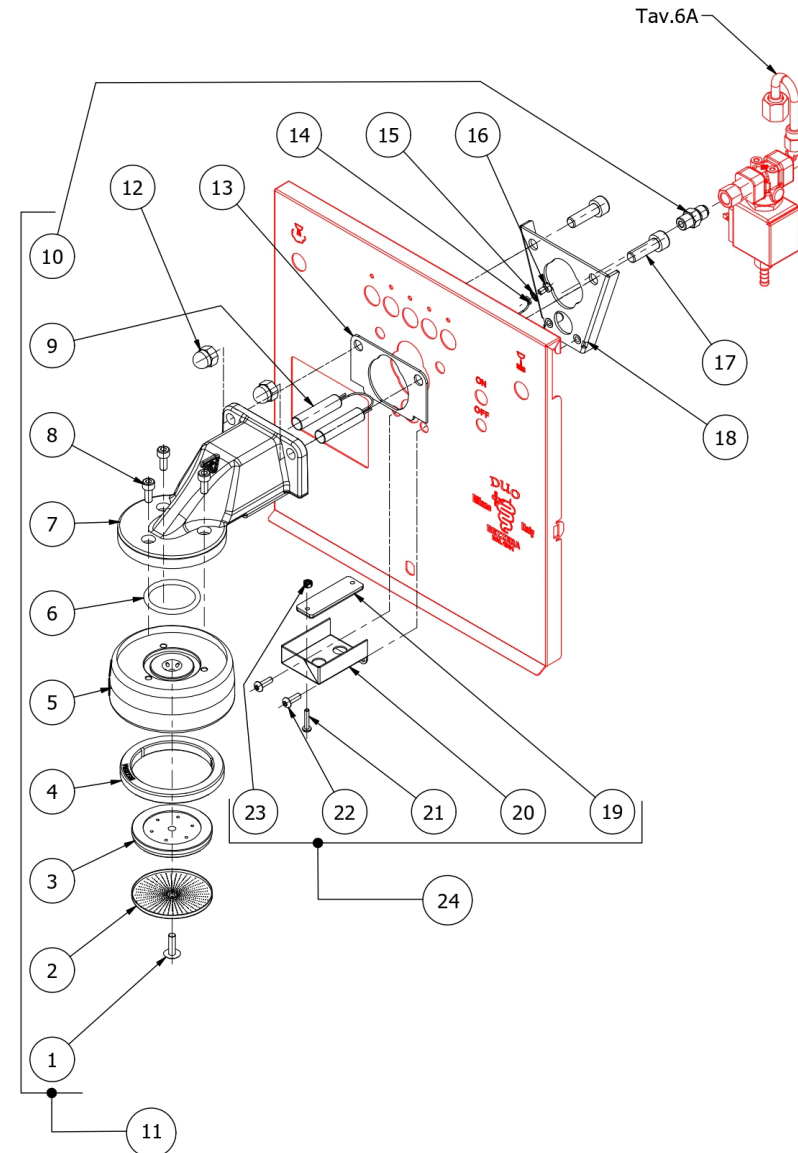
TABLE 9A
MATRIX Mod. DE

TABLE 10
MATRIX Mod. MN/DE

| POS | CODE | DESCRIPTION |
|-----|--------------|---------------------------------|
| 1 | 7496052 | OR GASKET 114 |
| 2 | 5283055TW | TAP BODY |
| 3 | 5494004 | GASKET D12X5X6 PTFE |
| 4 | 5496042 | GASKET D11X4X4 EPT 70 (C6) |
| 5 | 5225610 | ARTICULATION M8 INOX |
| 6 | 5222823CM | RING NUT 3/8 |
| 7 | 5221826CM | CAP NUT 3/8 |
| 8 | 5260204DL | SHAFT D12X47 AISI303 |
| 9 | 5471513 | SPRING D8 H17 AISI302 |
| 10 | 7372004 | KNOB WOOD |
| 10 | 7371511.01 | KNOB (WOOD) |
| 11 | 5261801 | WASHER D11 AISI303 |
| 12 | 5224603TP | GASKET-HOLDER D12X12 OT S/PB-NI |
| 13 | 7496072 | OR GASKET 121 |
| 14 | 5471532 | SPRING |
| 15 | 5190501 | BALL CUP D14.3 PTFE/GLASS |
| 16 | 7496073 | GASKET |
| 17 | 7371004 | INSULATING |
| 19 | 7496095 | OR GASKET 6X1.2 EPDM70 |
| 20 | 5471037 | ACETALIC FILTER |
| 21 | 7305019 | TERMINAL 2 HOLES |
| 22 | 5221872TW | NUT |
| 23 | 5226621DL | FILTER CONICAL SUPPORT |
| 24 | 5226622DL | RING NUT |
| 25 | 5493046 | GASKET D20.5x15x2 |
| 26 | 7479990.02TW | STEAM HOSE 2 HOLES TERMINAL |
| 27 | 7479985.02TW | WATER HOSE WELDED INOX |
| 28 | 5964101 | ASSEMBLY STEAM HOSE WOOD |
| 28 | 5964085.01AL | ASSEMBLY STEAM HOSE PLASTIC |

TABLE 10
MATRIX Mod. MN/DE

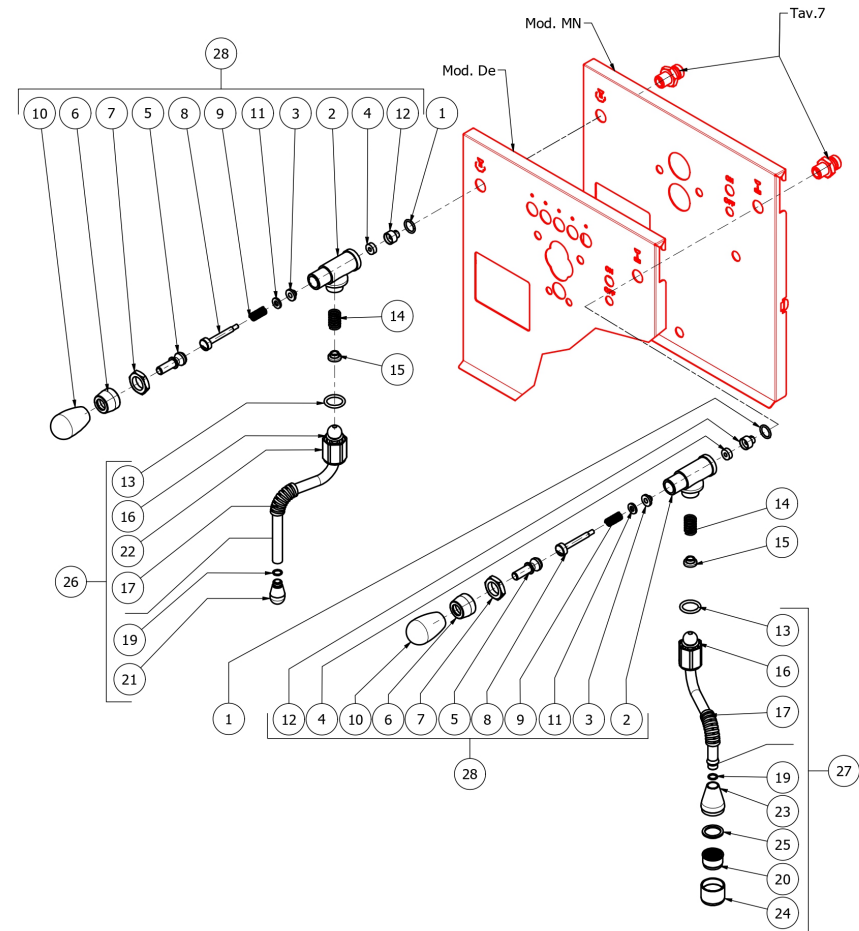


TABLE 10A
MATRIX Mod. MN/DE

| POS | CODE | DESCRIPTION |
|-----|------------|------------------------------------|
| 1 | 7372004 | WOODEN KNOB |
| 2 | 5262801.01 | FERRULE 3/8" G H17 STAINLESS STEEL |
| 3 | 5221826CM | NUT 3/8 |
| 4 | 5225610 | ARTICULATED JOINT M8 |
| 5 | 5260204DL | SHAFT D12X47 AISI303 POLISH |
| 6 | 5471513 | SPRING D8 H17 AISI302 |
| 7 | 5261801 | WASHER D11 |
| 8 | 5494004 | GASKET D12 X 6 PTFE GRAPHITIZED |
| 9 | 5283055TW | TAP BODY OT FOR OR |
| 10 | 5496042 | GASKET D11X4X4 EPT 70 |
| 11 | 5224603AL | GASKET HOLDER D12X12 OT57USA |
| 12 | 5964101.01 | SEMI-PROFESSIONAL ASSY WOODEN TAP |
| 13 | 7496052 | OR GASKET 114 VITON |
| 14 | 5494021 | NUT GASKET PTFE H=1,5 |
| 15 | 5471532.01 | SPRING FOR ARTICULATION |
| 16 | 5190501 | CUP FOR FITTING PTFE/GLASS |
| 17 | 5494020 | GLOBE GASKET 14.3 PTFE |
| 18 | 5221872.01 | LOOSEN NUT 3/8 |
| 19 | 7371004 | STEAM PIPE PROTECTION |
| 20 | 7496095 | OR GASKET 6X1.2 EPDM70 |
| 21 | 5266609 | STEAM TERMINAL 2 WAYS AISI303 |
| 22 | 7479990.03 | STEAM TUBE TERMINAL 2 HOLES SPHERE |
| 23 | 5966566 | WATER TUBE SEMISPHERE 14.3 |
| 24 | 5493003 | GASKET D20.5X15 H1.5 NBR 70SH |
| 25 | 5471037 | ACETALIC AIR FILTER |
| 26 | 7305020TW | WATER TERMINAL |
| 27 | 5226601TW | WATER HOSE TERMINAL |
| 28 | 7814201 | WASHER 14 DIN6798J A2 |

TABLE 10A
MATRIX Mod. MN/DE

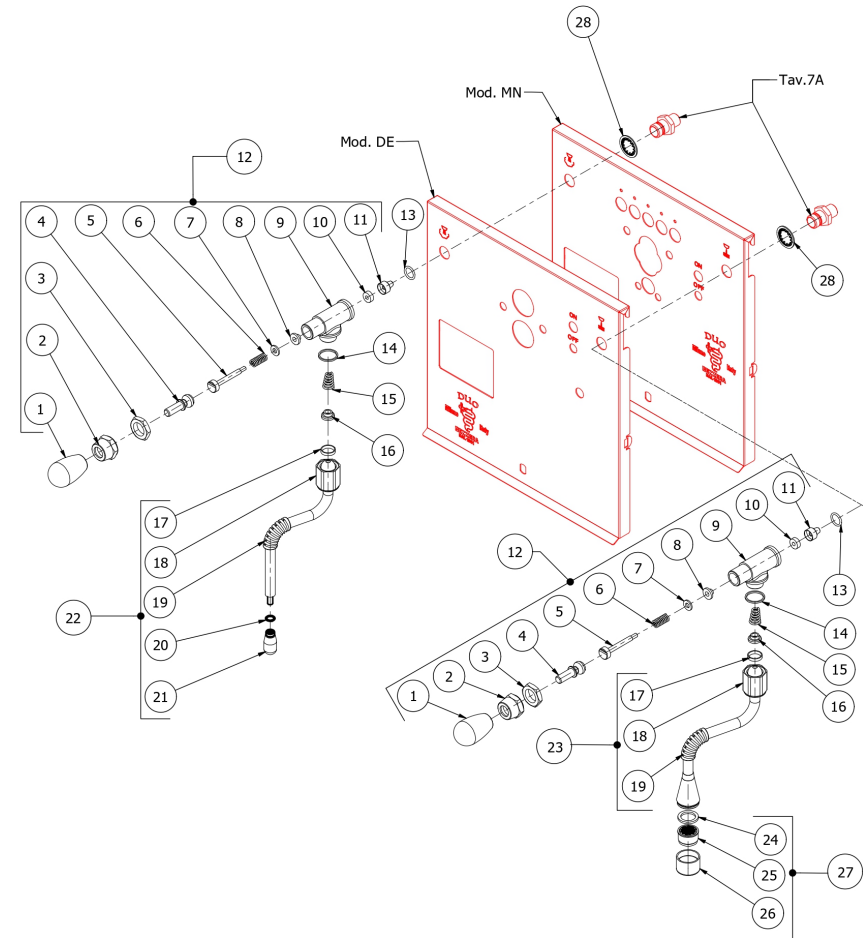


TABLE 11 - (up to 30/11/2022)
MATRIX Mod. MN

| POS | CODE | DESCRIPTION |
|-----|--------------|-------------------------------------|
| 1 | 7615002 | DOUBLE FASTON 45° HOLE D6.3 |
| 2 | 7812402 | SELF-LOCKING NUT M3 INOX |
| 3 | 5057012 | WASHER 4X9X0.7 AISI304 2B |
| 4 | 5493047.01 | GASKET 130X97X3 DISPLAY DUO/MATRIX |
| 5 | 5493049 | GASKET 130X97X1 DISPLAY DUO/MATRIX |
| 6 | 7816002 | SCREW TCEI M4X12 |
| 7 | 5053044 | HEATING ELEMENT COVER |
| 8 | 7826402 | SCREW TE M4X16 UNI5739 OT |
| 9 | 7822603 | NUT M4 OT |
| 10 | 7814001 | WASHER D4 DIN 6798A A2 |
| 11 | 7614007 | CABLE HOLDER |
| 12 | 7614006 | NUT PG.13.5 |
| 13 | 7372507 | PRTOTECTION WITH NICHEL-PLATED NUT |
| 14 | 7633628 | WHITE LAMP 110-230V FM6.3 |
| 15 | 7633906 | MICROSWITCH M1DX20M |
| 16 | 5221875CM | NUT M10x0,75 |
| 17 | 7633326 | BIPOLAR SWITCH LEVER |
| 18 | 7637209 | FEEDER 25VA 12V ARCADIA |
| 19 | 7635424.01 | RELAY SSR FOR PID |
| 20 | 7816203 | SCREW TCI M3X5 UNI6107 A2 |
| 21 | 7663007 | NOISE FILTER |
| 22 | 7816017 | SCREW TCEI M4X6 |
| 23 | 7818009 | TAPPING SCREW TB D2.9X6.5 INOX |
| 24 | 5058124.01LL | ELECTRICAL PARTS BRACKET DUO/MATRIX |
| 25 | 7661052R | CONTROL UNIT DUO/MATRIX V2.4 |
| 25 | 7661054R | CONTROL UNIT DUO/MATRIX V2.1 |
| 25 | 7661056R | CONTROL UNIT DUO/MATRIX V1.0 15A |
| 25 | 7661047R | CONTROL UNIT V.1.2 |
| 26 | 5963350.01R | ASSY DISP DUO/MATRIX V1.1 15A |
| 26 | 5963202R | ASSY DISPLAY WITHOUT GLASS V1.1 |

TABLE 11 - (up to 30/11/2022)
MATRIX Mod. MN

IT IS RECOMMENDED TO CONTACT THE SPARE PARTS DEPARTMENT TO PURCHASE COMPONENT NO.25 AND NO.26

| SOFTWARE COMPATIBILITY | |
|------------------------|-----------------|
| SW DISPLAY | SW CONTROL UNIT |
| 2.2 | 2.4 |
| 2.0 | 2.1 |
| 1.1 | 1.2 |
| 1.1 15A | 1.0 15A |

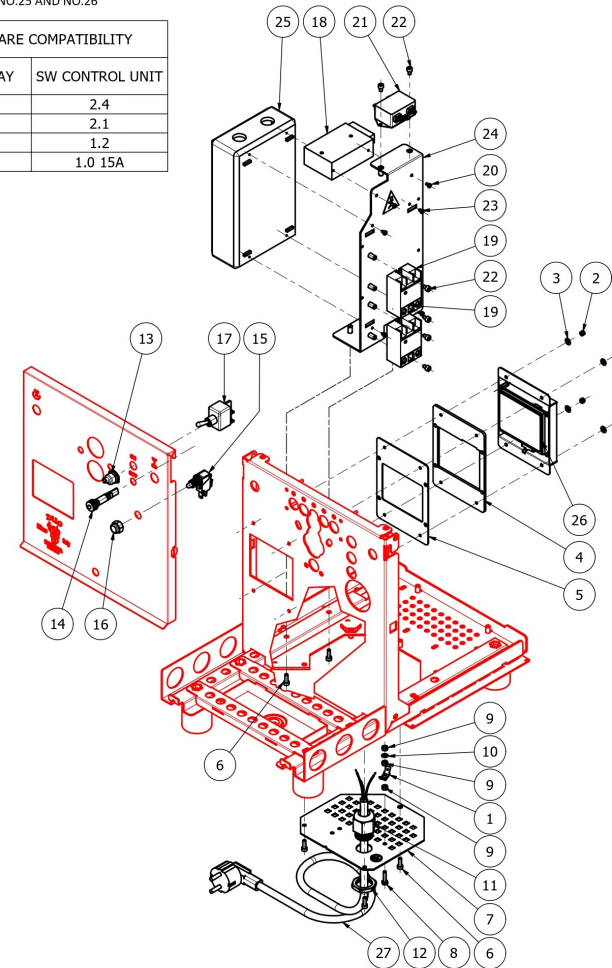


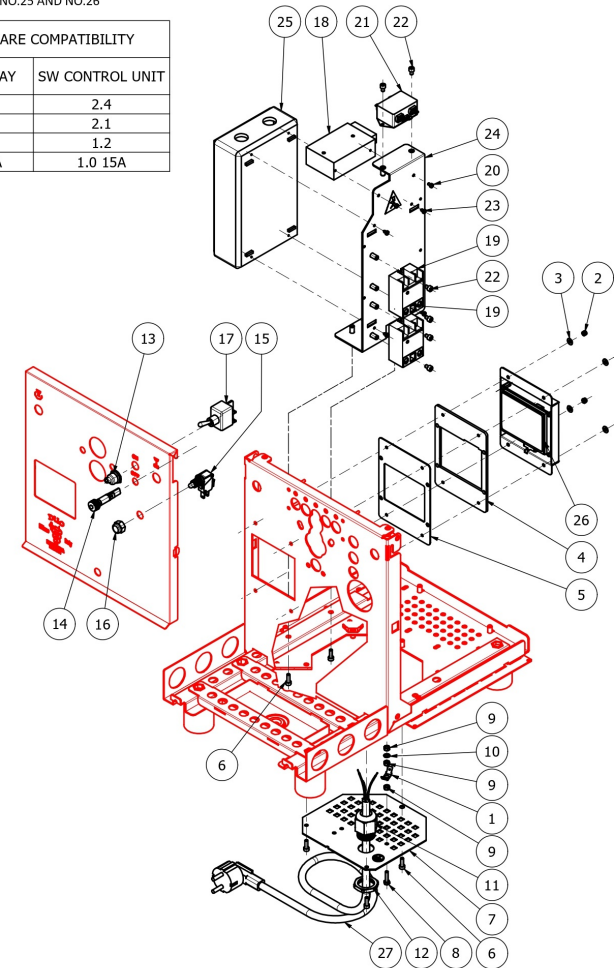
TABLE 11 - (up to 30/11/2022)
MATRIX Mod. MN

| POS | CODE | DESCRIPTION |
|-----|-------------|--|
| 26 | 5963201.01R | ASSY DISP. V2.2 |
| 26 | 5963425R | ASSY DISPLAY WITHOUT GLASS DUO/MATRIX V2.0 |
| 27 | 7551003 | CABLE WITH USA PLUG 250V 20A |
| 27 | 7555001 | CABLE WITH SCHUKO PLUG |
| 27 | 7554001 | CABLE WITH ENGLISH PLUG |
| 27 | 7552001 | CABLE WITH AUSTRALIAN PLUG |
| 27 | 7555003 | CABLE WITH SWITZERLAND PLUG |
| 27 | 7551001 | CABLE WITH USA PLUG 125V 15A |

TABLE 11 - (up to 30/11/2022)
MATRIX Mod. MN

IT IS RECOMMENDED TO CONTACT THE SPARE PARTS DEPARTMENT TO PURCHASE COMPONENT NO.25 AND NO.26

| SOFTWARE COMPATIBILITY | |
|------------------------|-----------------|
| SW DISPLAY | SW CONTROL UNIT |
| 2.2 | 2.4 |
| 2.0 | 2.1 |
| 1.1 | 1.2 |
| 1.1 15A | 1.0 15A |



BEZZERA

MATRIX

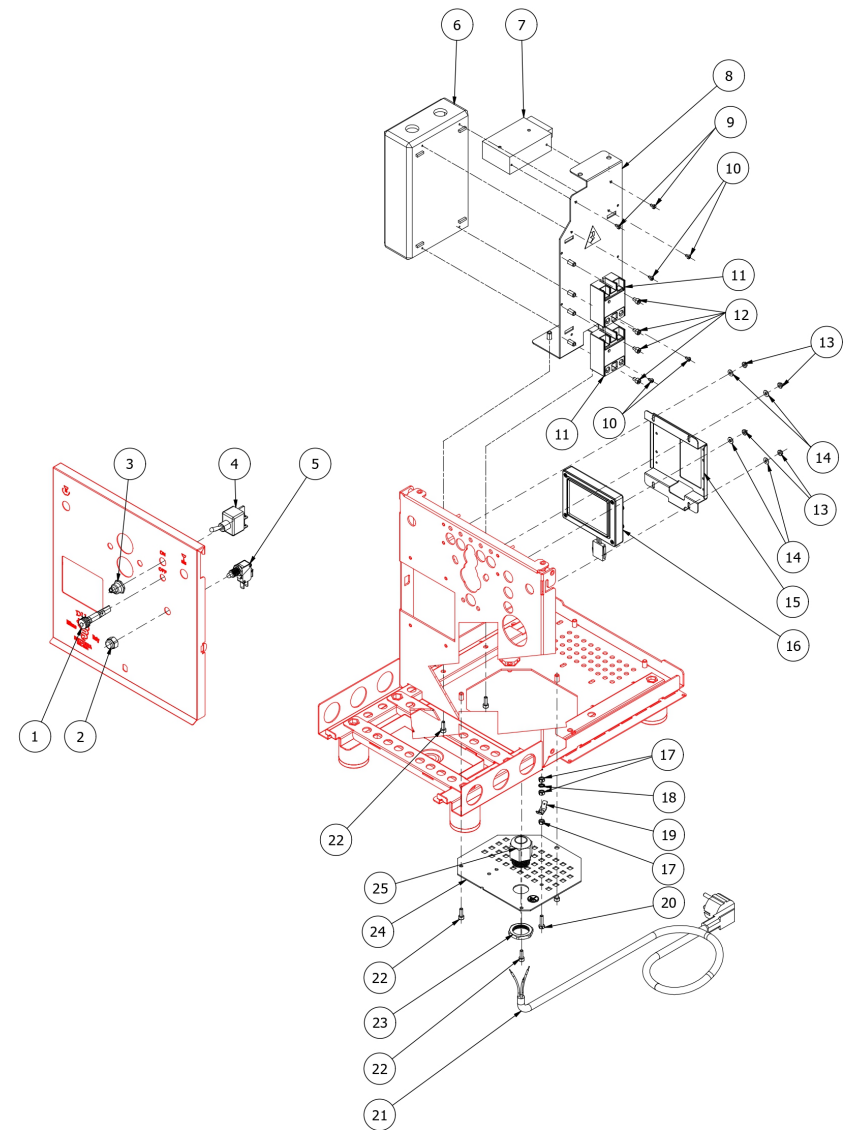
TABLE 11A - (from 01/12/2022)
MATRIX Mod. MN

| POS | CODE | DESCRIPTION |
|-----|--------------|-------------------------------------|
| 1 | 7633628 | WHITE LAMP |
| 2 | 5221875CM | NUT M10X0,75 |
| 3 | 7372507 | PROTECTION WITH NICKEL NUT IU0598 |
| 4 | 7633326 | BIPOLAR SWITCH LEVER |
| 5 | 7633906.01 | MICRO SWITCH |
| 6 | 7661047.06PR | CONTROL UNIT EL.DUO/MATRIX V3.4 |
| 7 | 7637209 | FEEDER 25V 12V ARCADIA |
| 8 | 5058124.01LL | BRACKETS PARTS ELET.DUO / MATRIX W |
| 9 | 7816203 | SCREW TCI M3X5 UNI 6107 A2 |
| 10 | 7818009 | SCREW AUTOF.TB D2.9X6.5 INOX |
| 11 | 7635424.01 | RELAIS SSR FOR T.PID |
| 12 | 7816017 | SCREW TCEI M4X6 |
| 13 | 7812705 | NUT M3 |
| 14 | 5057012 | WASHER 4X9X0.7 AISI304 2B |
| 15 | 5053062.01LW | COPERT.DISPLAY DUO/MATRIX NEW |
| 16 | 5963312.01 | ASSY DISP. DUO/MATRIX V3.4 |
| 17 | 7822603 | NUT M4 OT |
| 18 | 7814001 | WASHER D4 DIN 6798A A2 |
| 19 | 7615002 | DOUBLE FASTON 90° HOLE D6.3 |
| 20 | 7826402 | SCREW TE M4X16 UNI 5739 OT |
| 21 | 7551001 | ELECTRIC CABLE WITH USA PLUG L=1.5M |
| 21 | 7555007 | ELECTRIC CABLE WITH CHINA PLUG |
| 21 | 7552001 | ELECTRIC CABLE WITH AUSTRALIAN PLUG |
| 21 | 7554001 | ELECTRIC CABLE WITH ENGLISH PLUG |
| 21 | 7553001 | CABLE ISRAELE PLUG H05VV-F 3G1.5M |
| 21 | 7555001 | ELECTRIC CABLE WITH SHUKO PLUG |
| 22 | 7816002 | SCREW TCEI M4X12 UNI 5931 A2 |
| 23 | 7614006 | NUT PG13.5 |
| 24 | 5053044 | HEATING ELEMENT COVER DUO/MATRIX |
| 25 | 7614007 | FAIRLEAD WITH HOLE RUBBER |

BEZZERA

MATRIX

TABLE 11A - (from 01/12/2022)
MATRIX Mod. MN



BEZZERA

MATRIX

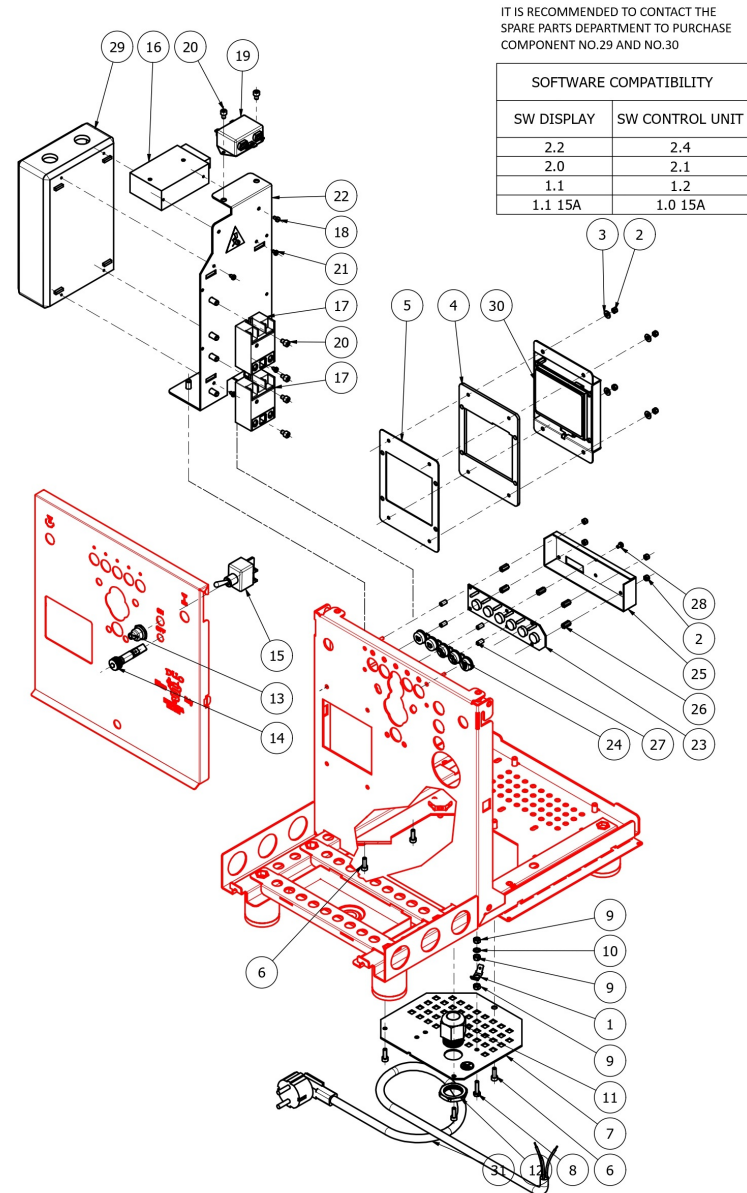
TABLE 12 - (up to 30/11/2022)
MATRIX Mod. DE

| POS | CODE | DESCRIPTION |
|-----|--------------|-------------------------------------|
| 1 | 7615002 | DOUBLE FASTON 45° HOLE D6.3 |
| 2 | 7812402 | SELF-LOCKING NUT M3 INOX |
| 3 | 5057012 | WASHER 4X9X0.7 AISI304 2B |
| 4 | 5493047.01 | GASKET 130X97X3 DISPLAY DUO/MATRIX |
| 5 | 5493049 | GASKET 130X97X1 DISPLAY DUO/MATRIX |
| 6 | 7816002 | SCREW TCEI M4X12 |
| 7 | 5053044 | HEATING ELEMENT COVER |
| 8 | 7826402 | SCREW TE M4X16 UNI5739 OT |
| 9 | 7822603 | NUT M4 OT |
| 10 | 7814001 | WASHER D4 DIN 6798A A2 |
| 11 | 7614007 | CABLE HOLDER |
| 12 | 7614006 | NUT PG.13.5 |
| 13 | 7372507 | PRTOTECTION WITH NICHEL-PLATED NUT |
| 14 | 7633628 | WHITE LAMP 110-230V FM6.3 |
| 15 | 7633326 | BIPOLAR SWITCH LEVER |
| 16 | 7637209 | FEEDER 25VA 12V ARCADIA |
| 17 | 7635424.01 | RELAY SSR FOR PID |
| 18 | 7816203 | SCREW TCI M3X5 UNI6107 A2 |
| 19 | 7663007 | NOISE FILTER |
| 20 | 7816017 | SCREW TCEI M4X6 |
| 21 | 7818009 | TAPPING SCREW TB D2.9X6.5 INOX |
| 22 | 5058124.01LL | ELECTRICAL PARTS BRACKET DUO/MATRIX |
| 23 | 7665524.01PR | 6 BUTTONS BOARD WITH 6 WHITE LEDS |
| 24 | 5661505 | 5 BUTTON PACK BLACK ABS |
| 25 | 5053024.02LW | PUSH-BOTTON PANEL COVERAGE |
| 26 | 5191511 | SPACER |
| 27 | 5191514 | PLASTIC SPACER L=8 mm |
| 28 | 7809809 | SCREW TCI M3X5 PLASTIC |
| 29 | 7661047R | CONTROL UNIT V.1.2 |
| 29 | 7661054R | CONTROL UNIT DUO/MATRIX V2.1 |

BEZZERA

MATRIX

TABLE 12 - (up to 30/11/2022)
MATRIX Mod. DE



BEZZERA

MATRIX

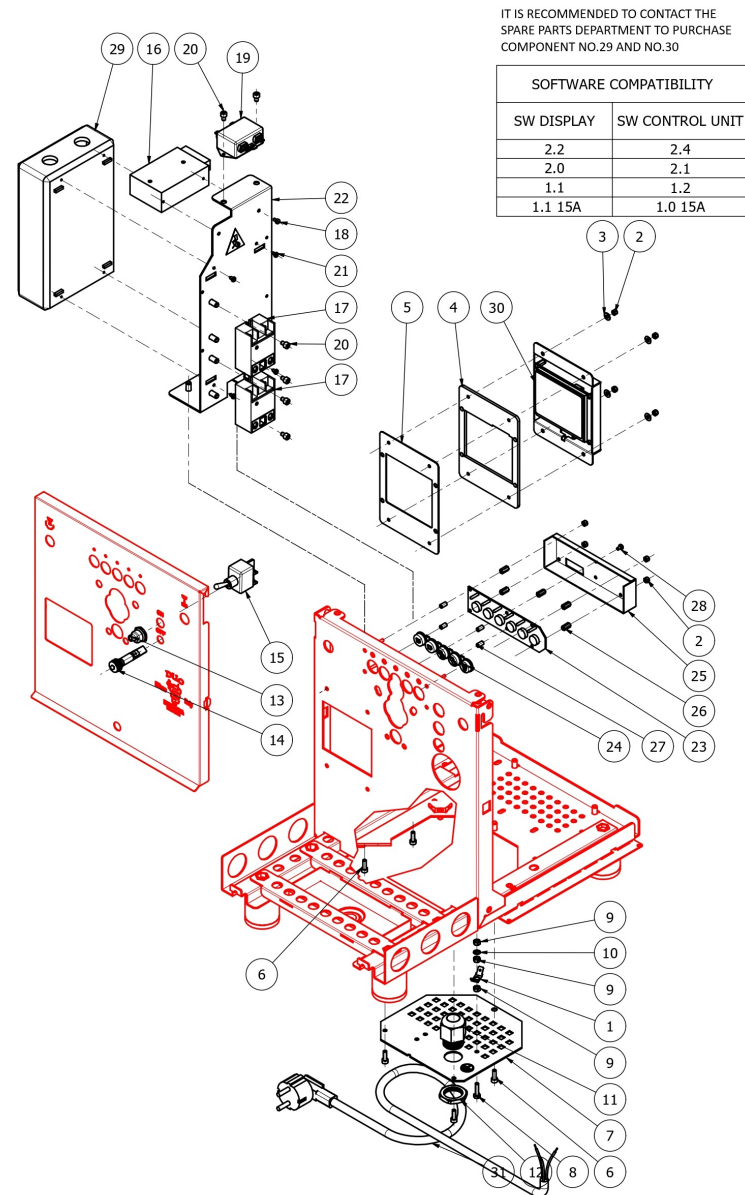
TABLE 12 - (up to 30/11/2022)
MATRIX Mod. DE

| POS | CODE | DESCRIPTION |
|-----|-------------|--|
| 29 | 7661053 | CONTROL UNIT DUO/MATRIX V1.0 15A |
| 29 | 7661052R | CONTROL UNIT DUO/MATRIX V2.4 |
| 30 | 5963425R | ASSY DISPLAY WITHOUT GLASS DUO/MATRIX V2.0 |
| 30 | 5963350.01R | ASSY DISP DUO/MATRIX V1.1 15A |
| 30 | 5963202R | ASSY DISPLAY WITHOUT GLASS V1.1 |
| 30 | 5963201.01R | ASSY DISP. V2.2 |
| 31 | 7551003 | CABLE WITH USA PLUG 250V 20A |
| 31 | 7555001 | CABLE WITH SCHUKO PLUG |
| 31 | 7554001 | CABLE WITH ENGLISH PLUG |
| 31 | 7552001 | CABLE WITH AUSTRALIAN PLUG |
| 31 | 7555003 | CABLE WITH SWITZERLAND PLUG |
| 31 | 7551001 | CABLE WITH USA PLUG 125V 15A |

BEZZERA

MATRIX

TABLE 12 - (up to 30/11/2022)
MATRIX Mod. DE



BEZZERA

MATRIX

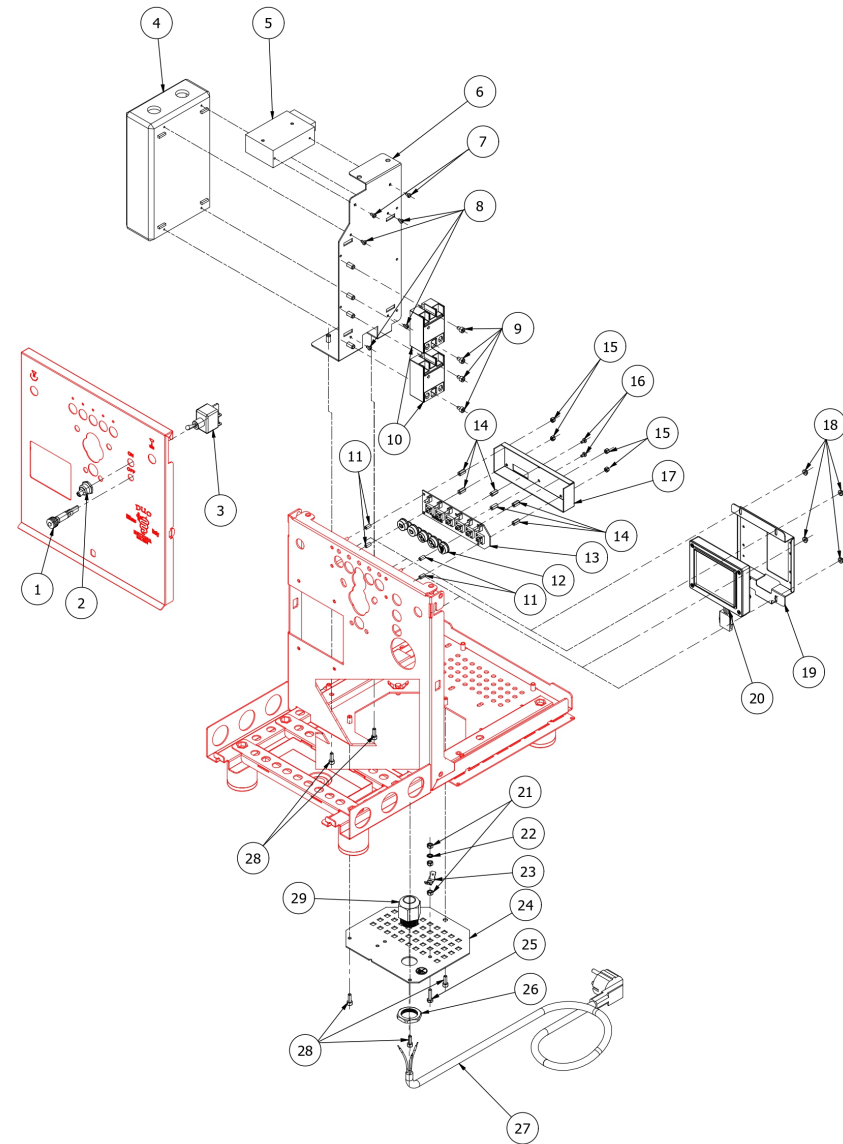
TABLE 12A - (from 01/12/2022)
MATRIX Mod. DE

| POS | CODE | DESCRIPTION |
|-----|--------------|-------------------------------------|
| 1 | 7633628 | WHITE LAMP |
| 2 | 7372507 | 7372507 |
| 3 | 7633326 | BIPOLAR SWITCH LEVER |
| 4 | 7661047.06PR | CONTROL UNIT EL.DUO/MATRIX V3.4 |
| 5 | 7637209 | FEEDER 25V 12V ARCADIA |
| 6 | 5058124.01LL | BRACKETS PARTS ELET.DUO / MATRIX W |
| 7 | 7816203 | SCREW TCI M3X5 UNI 6107 A2 |
| 8 | 7818009 | SCREW AUTOF.TB D2.9X6.5 INOX |
| 9 | 7816017 | SCREW TCEI M4X6 |
| 10 | 7635424.01 | RELAIS SSR FOR T.PID |
| 11 | 5191514 | PLASTIC SPACER L=8 MM |
| 12 | 5661505.02NY | 5 BLACK KEYS SERIES NYLON |
| 13 | 7665524.02PR | CARD KEYS.6KEYS 6LED WHITE PRESSURE |
| 14 | 5191511 | SPACER |
| 15 | 7812402 | NUT M3 UNI7473 A2 SELF-LOCKING INOX |
| 16 | 7809809 | PLASTIC SCREW TCI M3X5 DIN7985 |
| 17 | 5053024.02LW | BZ16 COVERING KEYBOARD PROELIND |
| 18 | 7812705 | NUT M3 |
| 19 | 5053062.01LW | COPERT.DISPLAY DUO/MATRIX NEW |
| 20 | 5963312.01 | ASSY DISP. DUO/MATRIX V3.4 |
| 21 | 7822603 | NUT M4 OT |
| 22 | 7814001 | WASHER D4 DIN 6798A A2 |
| 23 | 7615002 | DOUBLE FASTON 90° HOLE D6.3 |
| 24 | 5053044 | HEATING ELEMENT COVER DUO/MATRIX |
| 25 | 7826402 | SCREW TE M4X16 UNI 5739 OT |
| 26 | 7614006 | NUT PG13.5 |
| 27 | 7555001 | ELECTRIC CABLE WITH SHUKO PLUG |
| 27 | 7551001 | ELECTRIC CABLE WITH USA PLUG L=1.5M |
| 27 | 7555007 | ELECTRIC CABLE WITH CHINA PLUG |
| 27 | 7552001 | ELECTRIC CABLE WITH AUSTRALIAN PLUG |

BEZZERA

MATRIX

TABLE 12A - (from 01/12/2022)
MATRIX Mod. DE



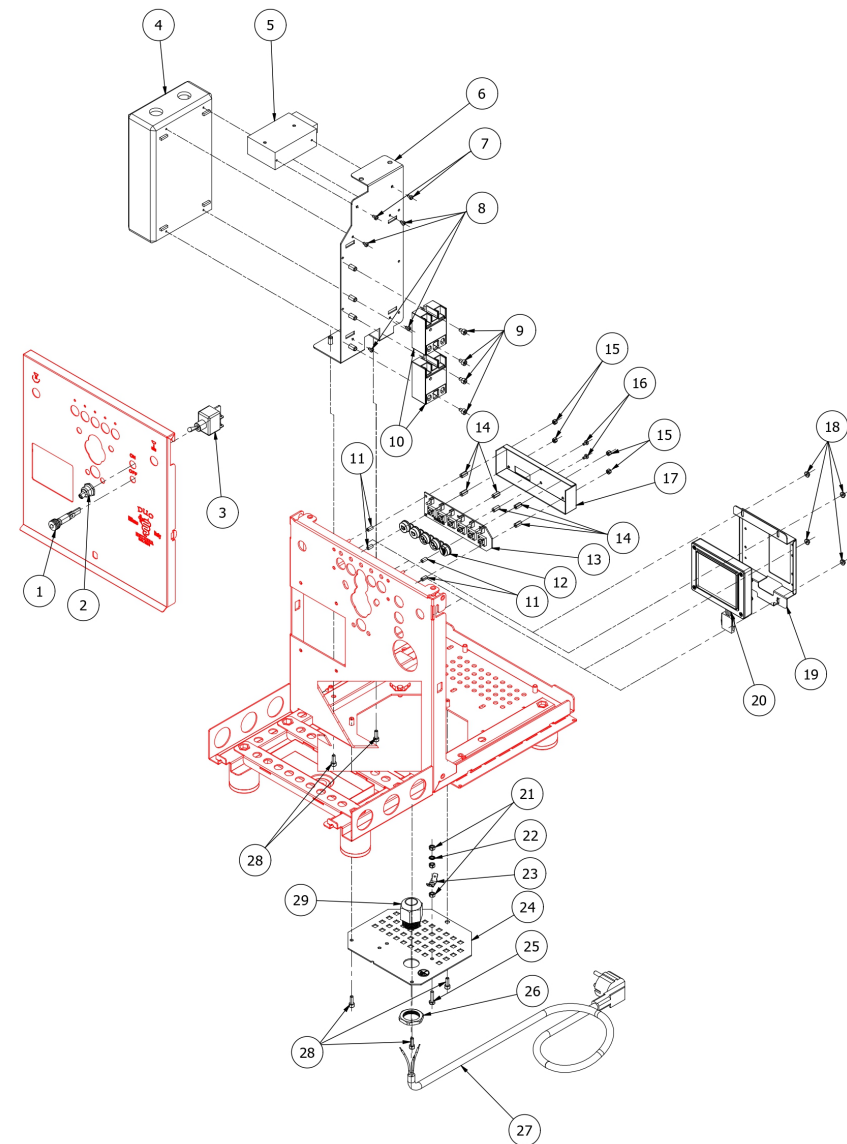
BEZZERA**MATRIX**

TABLE 12A - (from 01/12/2022)
 MATRIX Mod. DE

| POS | CODE | DESCRIPTION |
|-----|---------|-----------------------------------|
| 27 | 7554001 | ELECTRIC CABLE WITH ENGLISH PLUG |
| 27 | 7553001 | CABLE ISRAELE PLUG H05VV-F 3G1.5M |
| 28 | 7816002 | SCREW TCEI M4X12 UNI 5931 A2 |
| 29 | 7614007 | FAIRLEAD WITH HOLE RUBBER |

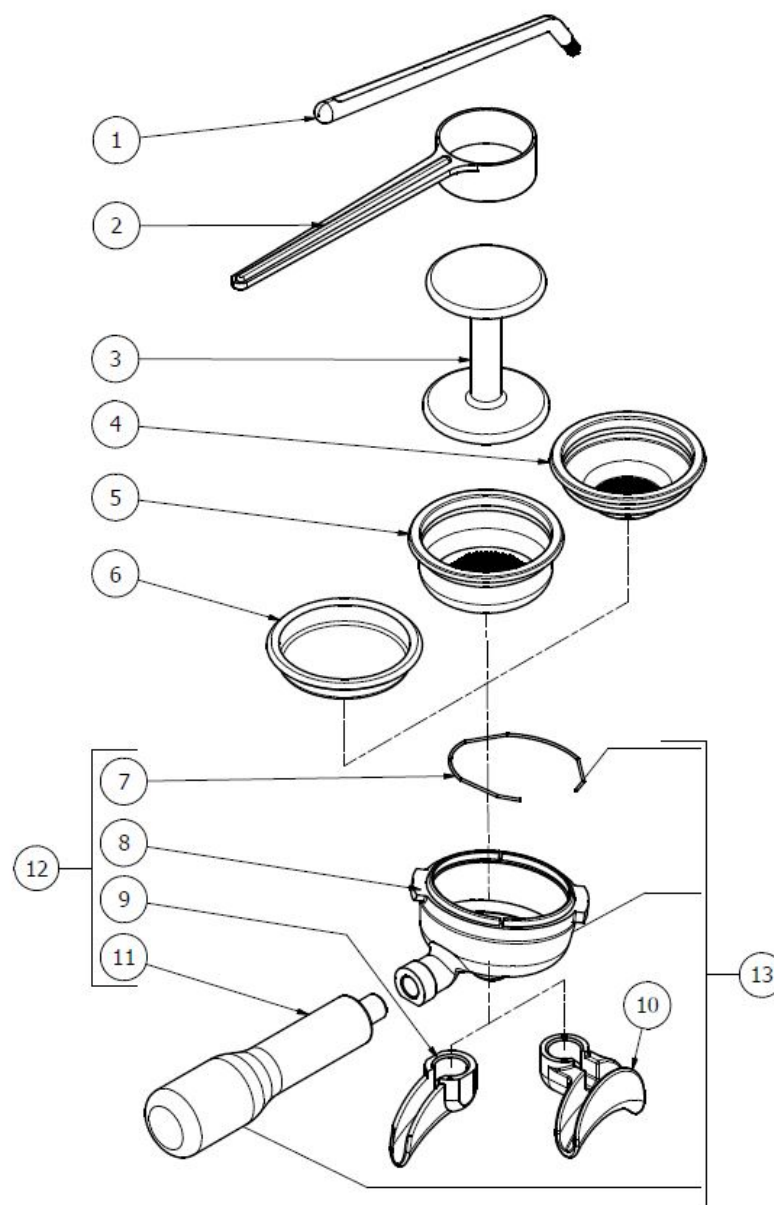
BEZZERA**MATRIX**

TABLE 12A - (from 01/12/2022)
 MATRIX Mod. DE



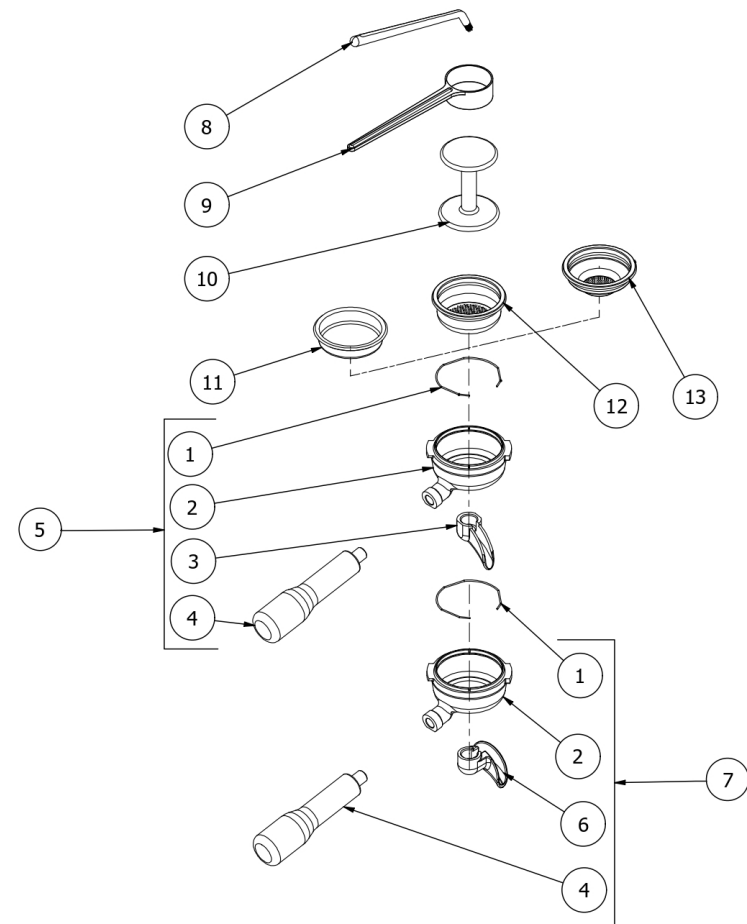
BEZZERA**MATRIX**TABLE 13
MATRIX Mod. DE

| POS | CODE | DESCRIPTION |
|-----|------------|---------------------------------------|
| 1 | 7990603 | CLEANING BRUSH |
| 2 | 5372101 | BLACK MEASURE |
| 3 | 5373001 | COFFEE-PRESS |
| 4 | 5471031.01 | FILTER 1 CUP 8 GRAMS WITH RUN CHANNEL |
| 5 | 5471035 | FILTER 2 CUPS 16 GRAMS |
| 6 | 5471003 | FILTER AISI 430 |
| 7 | 5471527 | SHAPED SPRING |
| 8 | 5286016TW | FILTER HOLDER |
| 9 | 7305006TW | SPOUT 1 WAY |
| 10 | 7305007TW | SPOUT 2 WAY |
| 11 | 7371520 | KNOB (WOOD) |
| 12 | 5965631R | ASSEMBLY FILTER-HOLDER BZ 1CUP (WOOD) |
| 13 | 5965628R | ASSEMBLY FILTER-HOLDER BZ 2CUP (WOOD) |

BEZZERA**MATRIX**TABLE 13
MATRIX Mod. DE

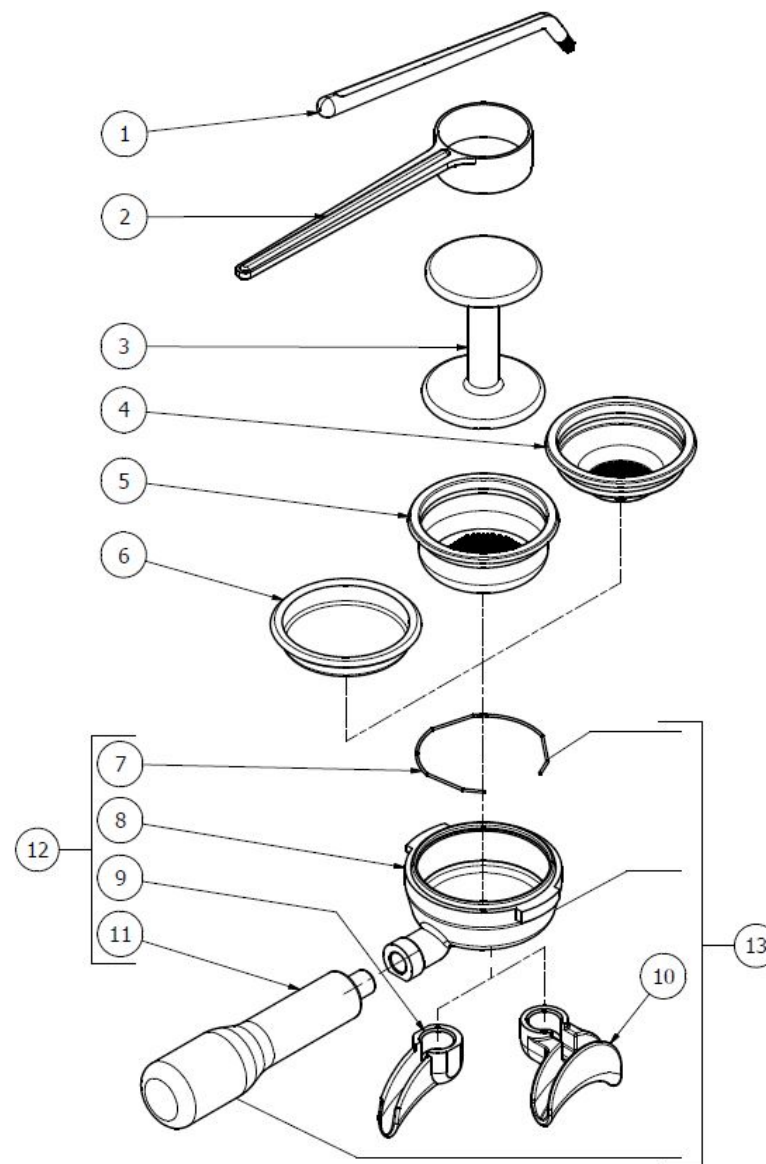
BEZZERA**MATRIX**TABLE 13A
MATRIX Mod. DE

| POS | CODE | DESCRIPTION |
|-----|-------------|-------------------------------------|
| 1 | 5471527 | FILTER-HOLDER SPRING D1.2 AISI 302 |
| 2 | 5286016TW | FILTER-HOLDER TILTED HANDLE BZ |
| 3 | 7305006TW | SPOUT 1 WAY S/PB+PWP |
| 4 | 7371520.01 | WOODEN FILTER-HOLDER HANDLE |
| 5 | 5965631.01R | ASSY FILTER-HOLDER BZ 1CUP 80° WOOD |
| 6 | 7305007TW | SPOUT 2 WAYS WITHOUT PB+PWP |
| 7 | 5965628.01R | ASSY FILTER-HOLDER BZ 2CUPS WOOD |
| 8 | 7990603 | CLEANING BRUSH FOR COFFEE MACHINE |
| 9 | 5372101 | BLACK MEASURE |
| 10 | 5373001 | COFFEE-PRESS ABS |
| 11 | 5471038 | BLIND FILTER AISI304 |
| 12 | 5471035 | FILTER 2 CUPS 20 GRAMS |
| 13 | 5471031.01 | FILTER 1 CUP 10 GRAMS |

BEZZERA**MATRIX**TABLE 13A
MATRIX Mod. DE

BEZZERA**MATRIX**TABLE 14
MATRIX Mod. MN

| POS | CODE | DESCRIPTION |
|-----|--------------|--|
| 1 | 7990603 | CLEANING BRUSH |
| 2 | 5372101 | BLACK MEASURE |
| 3 | 5373001 | COFFEE-PRESS |
| 4 | 5471031.01 | FILTER 1 CUP 8 GRAMS WITH RUN CHANNEL |
| 5 | 5471035 | FILTER 2 CUPS 16 GRAMS |
| 6 | 5471003 | FILTER AISI 430 |
| 7 | 5471527 | SHAPED SPRING |
| 8 | 7479972.01TW | FILTER HOLDER |
| 9 | 7305006TW | SPOUT 1 WAY |
| 10 | 7305007TW | SPOUT 2 WAY |
| 11 | 7371520 | KNOB (WOOD) |
| 12 | 5965630R | ASSEMBLY FILTER-HOLDER E61 1CUP (WOOD) |
| 13 | 5965629R | ASSEMBLY FILTER-HOLDER E61 2CUP (WOOD) |

BEZZERA**MATRIX**TABLE 14
MATRIX Mod. MN

BEZZERA

MATRIX

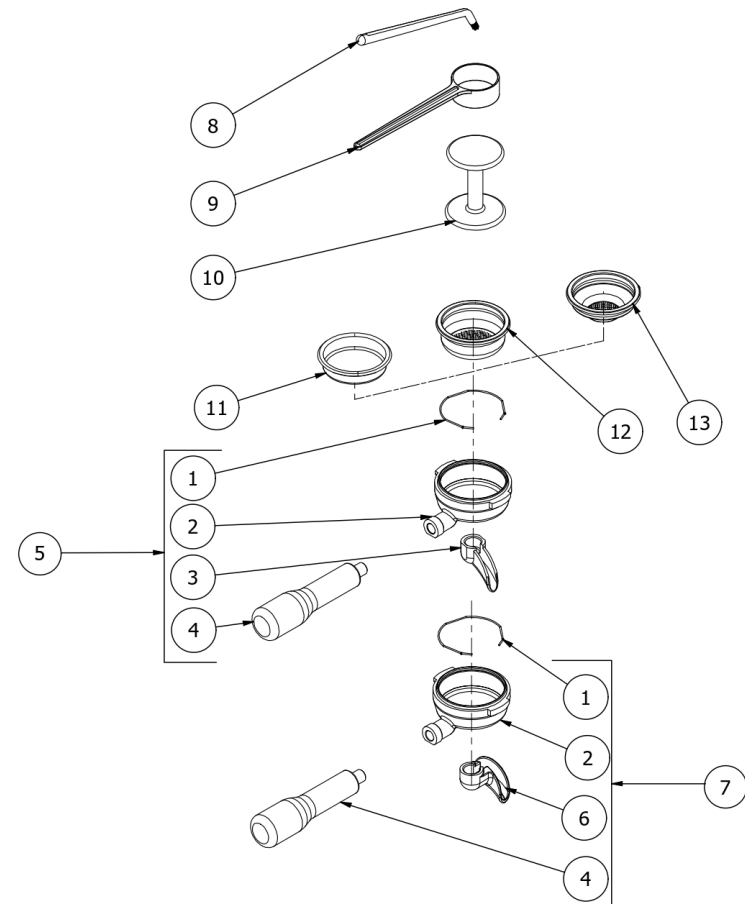
TABLE 14A
MATRIX Mod. MN

| POS | CODE | DESCRIPTION |
|-----|--------------|------------------------------------|
| 1 | 5471527 | FILTER-HOLDER SPRING D1.2 AISI 302 |
| 2 | 7479972.01TW | RETRO FILTER-HOLDER ONLY HANDLE |
| 3 | 7305006TW | SPOUT 1 WAY S/PB+PWP |
| 4 | 7371520.01 | WOODEN FILTER-HOLDER HANDLE |
| 5 | 5965630.01R | ASSY FILTER-HOLDER E61 1CUP 80° |
| 6 | 7305007TW | SPOUT 2 WAYS WITHOUT PB+PWP |
| 7 | 5965629.01R | ASSY FILTER-HOLDER E61 2CUPS WOOD |
| 8 | 7990603 | CLEANING BRUSH FOR COFFEE MACHINE |
| 9 | 5372101 | BLACK MEASURE |
| 10 | 5373001 | COFFEE-PRESS ABS |
| 11 | 5471038 | BLIND FILTER AISI304 |
| 12 | 5471035 | FILTER 2 CUPS 20 GRAMS |
| 13 | 5471031.01 | FILTER 1 CUP 10 GRAMS |

BEZZERA

MATRIX

TABLE 14A
MATRIX Mod. MN





G.BEZZERA S.R.L.
MACCHINE PER CAFFE' ESPRESSO
Via Luigi Bezzera,1
20088 Rosate - Milano - Italy
Tel. +39 02 90848102 r.a.
Web: www.bezzera.com
e-mail: admin@bezzera.it