



MATRIX

COD. 9942068

REV. 08 ed. 01/26



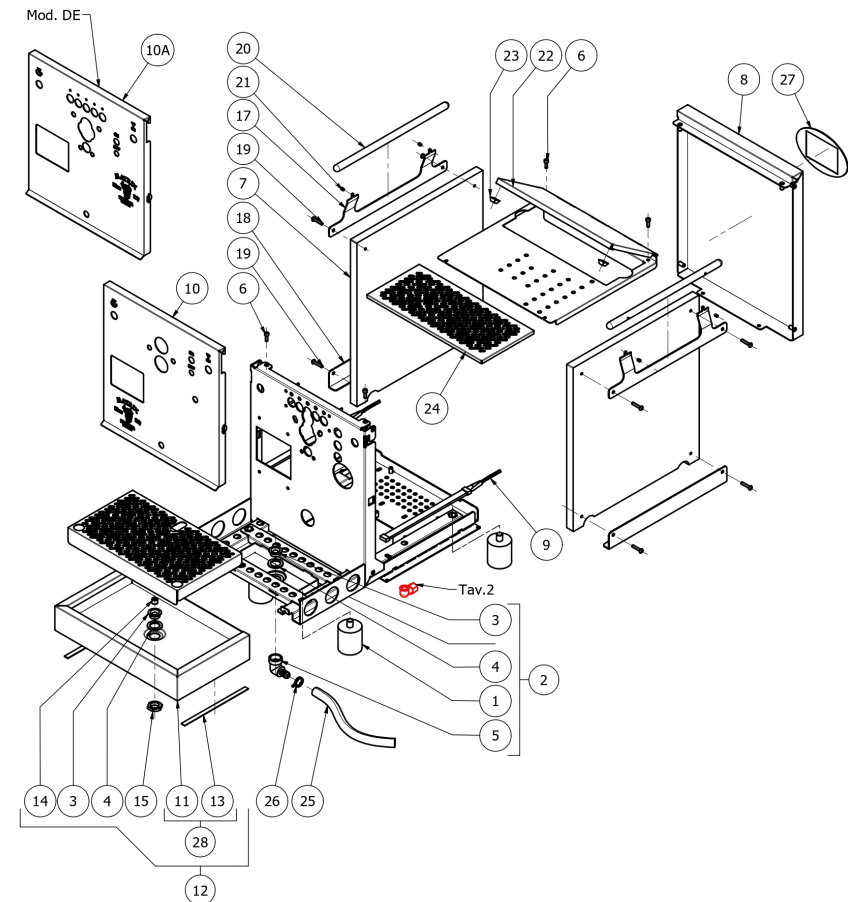
TABLE 1

MATRIX Mod. MN/DE (old frame)

POS	CODE	DESCRIPTION
1	7474218	FEET M10 D40X46
2	5964676	ASSEMBLY CHASSIS DUO/MATRIX
3	5225230	FITTING 3/8
4	5492022	GASKET D25 X 17 X 2
5	5224403.01	RUBBER-HOLDER 3/8
6	7816002	SCREW TCEI M4X12
7	5370920	RIGHT/LEFT LATERAL SIDE
8	5073642LL	REAR BODY STAINLESS STEEL POLISHED
9	7663626.01	LED RGB 12V L=200MM
10	5074924SG	GROUP FRONTAL MATRIX MN
10A	5074923SG1	GROUP FRONTAL MATRIX DE
11	5340531DL	DRIP TRAY
12	5968124.01	ASSY DRIP TRAY DUO/MATRIX
13	7497013	ADHESIVE STRIP PTFE 150X11X1MM
14	7823001	DOWEL 1/8
15	5221826	NUT 3/8
17	5073643LW	MATRIX TOP PROFILE
18	5073644LW	MATRIX LOWER PROFILE
19	7819902	SCREW M4X20
20	5260206	PROFILE
21	7812805	DOWELM4X6
22	5961602.01	CUPS-HEATER
23	7474217	ADHESIVE FEET 12,7 H5,8
24	5074673LW	CUPS-HEATER GRID MATRIX
25	5194654	HOSE D15X10 L=1500 SILICONE
26	7611502	CLAMP 15140-BIFM140
27	5521512	LABEL
28	5968127.01R	ASSY DRIP TRAY DUO/MATRIX + PTFE ADHESIVE

TABLE 1

MATRIX Mod. MN/DE (old frame)



BEZZERA

MATRIX

TABLE 1A
MATRIX Mod. MN/DE (new frame)

POS	CODE	DESCRIPTION
1A	5074924.01SG	FRONTAL GROUP MATRIX MN
1	5074923.01SG1	FRONTAL GROUP MATRIX DE SERIGR.
2	5260206	MATRIX EDGE AISI303
3	7819911	SCREW TTEI M4X25 INOX
4	7812805	WHEAT EI M4X6 UNI5927 A2
5	5073643LW	UPPER MATRIX PROFILE
6	5370920	LEFT/RIGHT LATERAL SIDE MATRIX
7	5073644LW	MATRIX LOWER PROFILE
8	5074673LW	CUP WARMERS GRID MATRIX
9	7816002	SCREW TCEI M4X12 UNI 5931 A2
10	5961602.01	ASSEMBLY FEET CUPS-HEATER
11	7474217	ADHESIVE FEET 12,7 H5,8
12	5073642LL	BACK BODY MATRIX STAINLESS
13	5521512	BEZZERA LABEL
14	7815003	PLAIN WASHER D5 UNI 6592 A2
15	7663626.01	LED RGB 12V L = 200MM FEMALE
16	5225230NC	FITTING 3/8" G NICKEL
17	5492022	GASKET D25 X 17 X 2 ASBESTOS FREE
18	5224403.01NC	RUBBER-HOLDER
19	7474218	FEET M10 D40X46
20	5964676.01	ASSY FRAME DUO/MATRIX
21	5261013	WIRE DISCHARGE GRID DUO/MATRIX
22	5340531DL	COMPLETE TRAY DUO/MATRIX INOX
23	7497013	ADHESIVE STRIP PTFE 150X11X1MM
24	7823001TP	HEADLESS SCREW 1/8
25	5221826	NUT 3/8
26	5968124.01	ASSY TRAY DUO/MATRIX W/DISCHARGE

BEZZERA

MATRIX

TABLE 1A
MATRIX Mod. MN/DE (new frame)

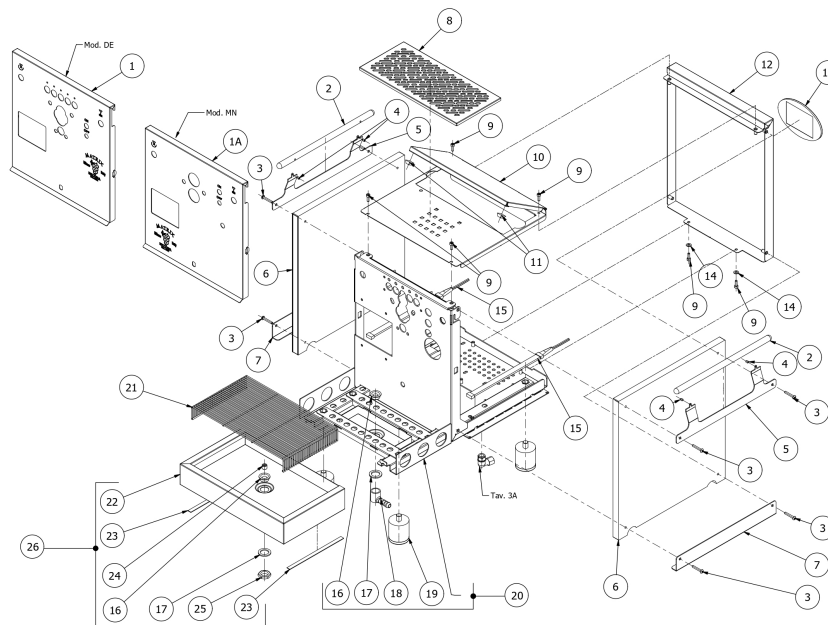


TABLE 2
MATRIX Mod. MN

POS	CODE	DESCRIPTION
1	5283060	DRAIN FITTING
2	7815001	WASHER D10 UNI 6592 A2
3	5221844	NUT 1/8
4	7816002	SCREW TCEI M4X12
5	7304507TR	UNION ELBOW 1/8
6	7304517	UNION 1/8
7	7666005	PRESSURE SENSOR ETX165
8	5162421LL	PRESSURE GAUGE HOSE
9	7304502TR	UNION 1/8
10	5162415LL	L / A INPUT TUBE DUO/MATRIX
11	5162414LL	PUMP WATER INPUT TUBE DUO/MATRIX
12	5492019	GASKET D8X2
13	5221835	CAP NUT 1/8
14	7815003	WASHER D5 UNI6592 A2
15	7812601	NUT M4 STAINLESS STEEL UNI 5588
16	5058463LL	TANK SUPPORT
17	7474212	ADHESIVE FEET
18	5221830	NUT M20X1.25 H5 OT
19	7633012	SHEATH 142 EPDM BLACK
20	7819901	SCREW TBEI M4X12 ISO 7380 A2
21	7666006.01	TANK LEVEL SENSOR
22	5162413LL	COFFEE BOILER DUO / MATRIX LOADING TUBE
23	5194554	HOSE D8X5 L=250 SLICONE
24	7611516	CLAMP 10086-BIFM086
25	7303001TR	UNION ELBOW 1/8
26	7304505TR	FITTING ELBOW 3 WAY 1/8
27	7304538TR	UNION STRAIGHT F1/8
28	5194617	PTFE HOSE D16x140
29	5225228.01	FITTING M20X1.25 H28.5 OT
30	7304534TR	UNION STRAIGHT M1/8

TABLE 2
MATRIX Mod. MN

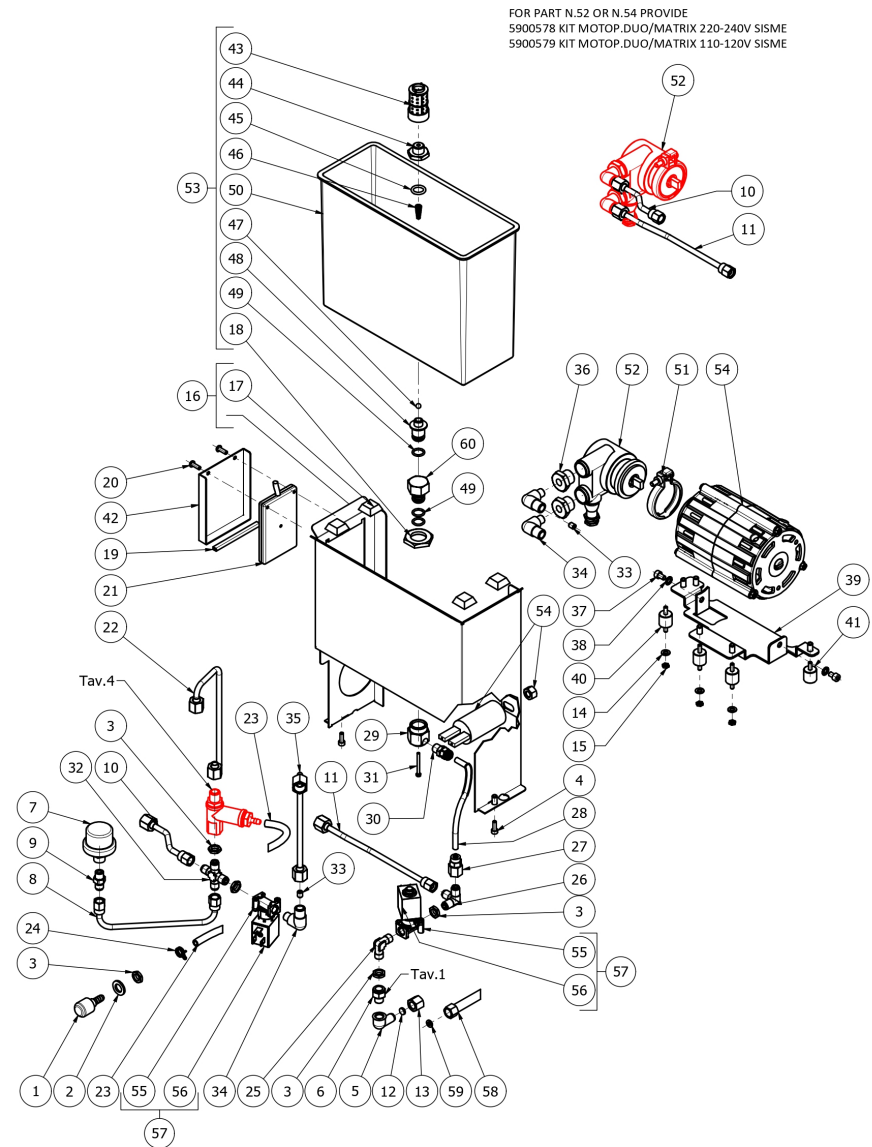


TABLE 2
MATRIX Mod. MN

POS	CODE	DESCRIPTION
31	7826206	SCREW TCI M3X30 UNI6107 OT
32	7304001TR	UNION CROSS 1/8
33	5223003	JET M6X6 HOLE D0.8 BRASS
34	5301504TR	FITTING ELBOW M12X1/8
35	5162412LL	BOILER LOAD HOSE
36	5302057AL	FITTING 1/8
37	7816027	SCREW TCEI M5X8
38	7814002	NOTCHED WASHER D5 DIN 6798A A2
39	5058411LL	MOTOR SUPPORT
40	7470604	VIBRATION-DAMPING
41	7474219	RUBBER FEET D15X15 M4X10
42	5055752LW	TANK LEVEL SENSOR PLATE
43	7374002	FILTER 1/4
44	5302065.01AL	TANK FILTER REDUCTION
45	7496073.01	GASKET OR 115 EP856
46	5471521.01	COUPLING SPRING
47	5471509	BALL 7/32" AISI 304
48	5224617	GASKET-HOLDER D14.5X25 OT
49	7496076	OR GASKET 112 EP856 80SH
50	7373012	TANK 3 LT. CAPACITY
51	7611508	PUMP CLAMP
52	7730509	PUMP 50-70L/H+CLAMP+JOINT
53	5963171	ASSEMBLY TANK C / FILTER DUO/MATRIX
54	7741005.01	ELECTRIC MOTOR 110V 25MF 50/60HZ
54	7742404.01	ELECTRIC MOTOR 220/240V 6MF 50/60HZ
55	7703018	SOLENOID VALVE WITHOUT COIL 2 WAY OLAB
56	7630341	SOLENOID VALVE COIL 2 WAY 220/230V OLAB
56	7630343	SOLENOID VALVE COIL 2 WAY 240V OLAB
56	7630339	SOLENOID VALVE COIL 2 WAY 110V OLAB
57	7702415	SOLENOID VALVE 2 WAY 240V OLAB

TABLE 2
MATRIX Mod. MN

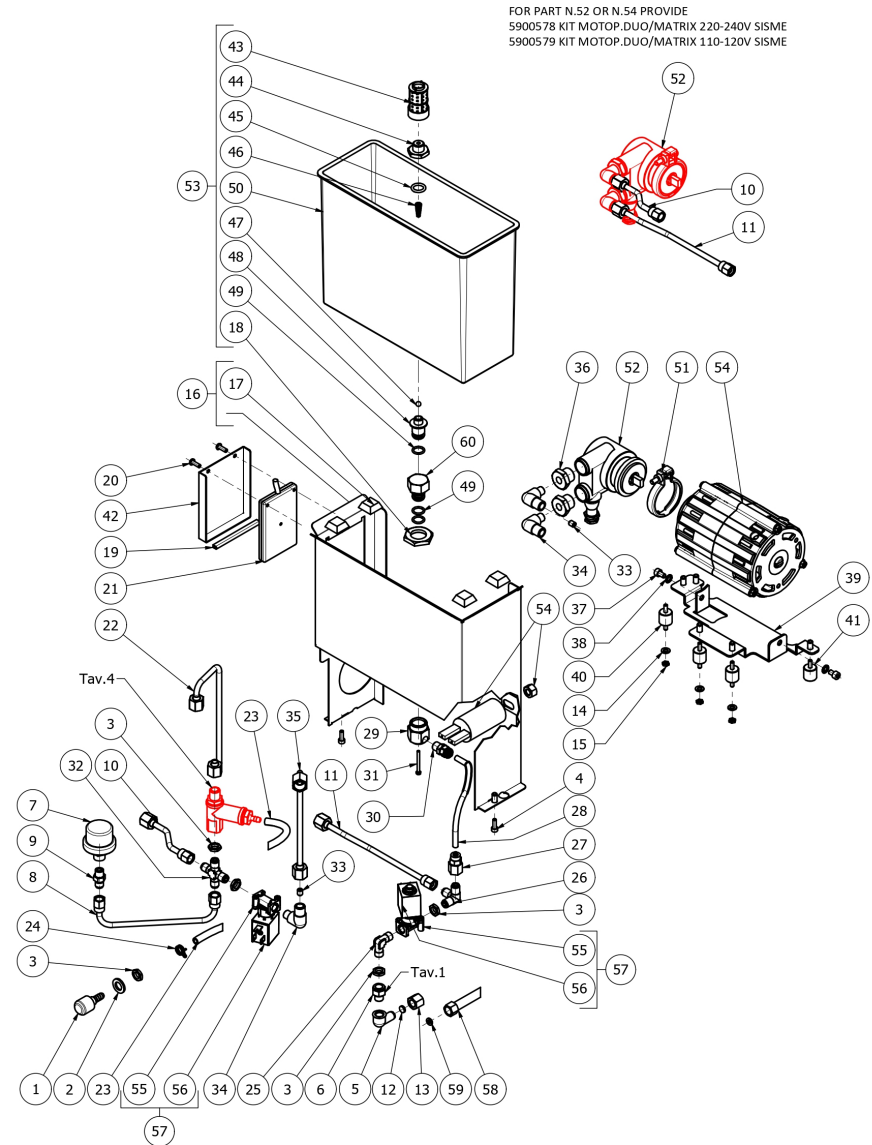
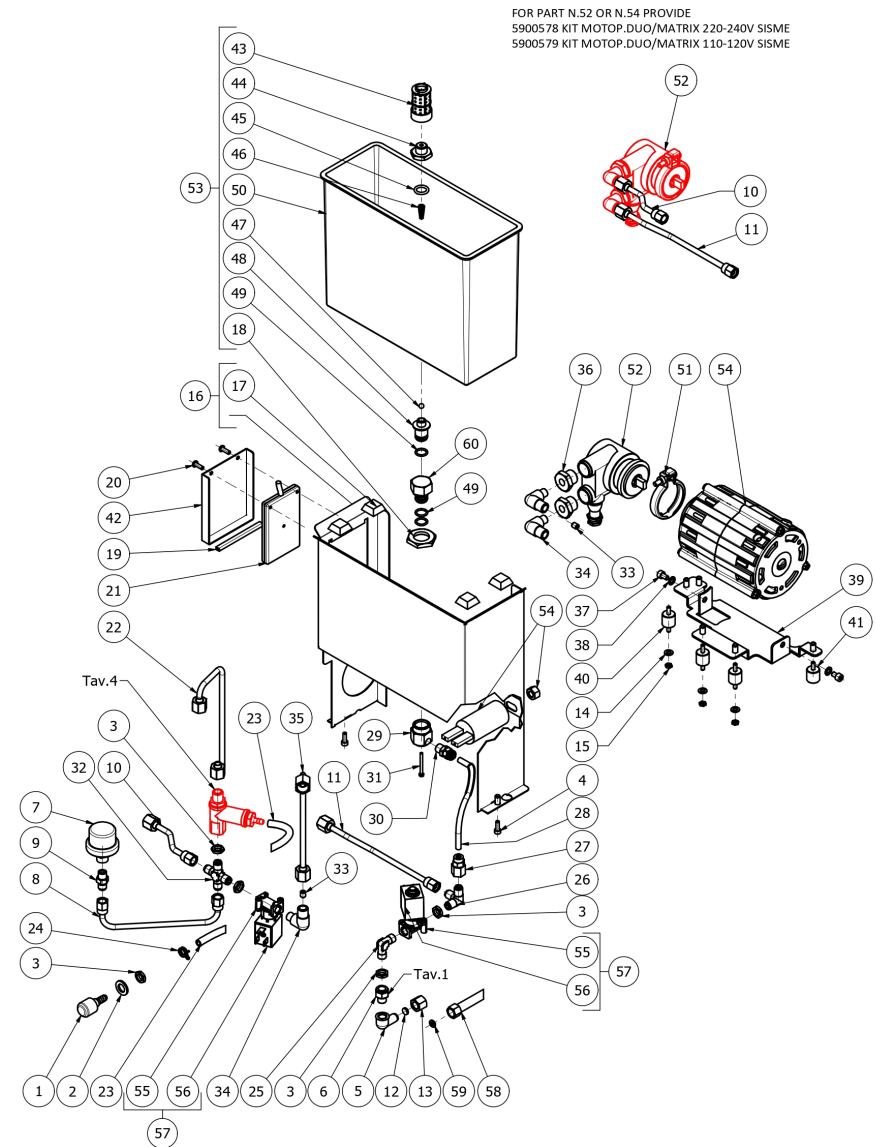


TABLE 2
MATRIX Mod. MN

POS	CODE	DESCRIPTION
57	7701123	SOLENOID VALVE 2 WAY 110V OLAB
57	7702322	SOLENOID VALVE 2 WAY 220/230V OLAB
58	7200514	FLEXIBLE HOSE
59	7492004	GASKET D8.5X4.2X1.5
60	5226416AL	PLUG HEXAGONAL 22 x 26.5

TABLE 2
MATRIX Mod. MN



BEZZERA

MATRIX

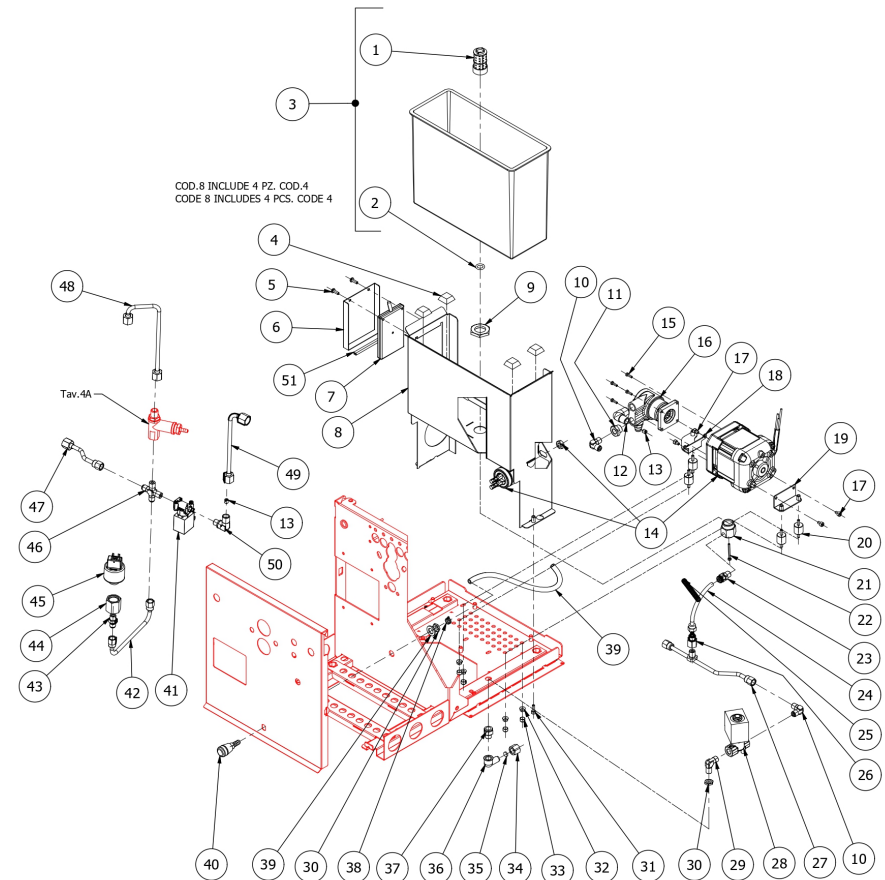
TABLE 2A - (up to 30/04/2025)
MATRIX Mod. MN

POS	CODE	DESCRIPTION
1	7374002	FILTER 1/4
2	7496076	GASKET OR 112 EP856 80SH
3	5963171.01	ASSY TANK W/FILTER DUO/MATRIX
4	7474212	ADHESIVE FEET
5	7819901	SCREW TBEI M4X12 ISO 7380 A2 INOX
6	5055752LW	TANK LEVEL SENSOR PLATE
7	7666006.01	TANK LEVEL SENSOR
8	5058463.01LL	DUO/MATRIX TANK SUPPORT W/COMPASSES
9	5221830	NUT M20 H5 OT
10	7303001TR	UNION ELBOW 1/8
11	7304559	CYLINDRICAL MF REDUCTION G1/4
12	5301512.01AL	ELBOW FITTING M12X1/4
13	5223003	JET M6 X 6 HOLE D0.8 OT
14	7741007	ELECTRIC MOTOR 110-115V 50/60HZ
14	7742405	ELECTRIC MOTOR 220/240V
15	7819921	SCREW M3x10
16	7730514	ROTATIVE PUMP 70L/H COMPACT
17	7816017	SCREW TCEI M4X6
18	5058515LL	DUO FRONT ENGINE SUPPORT WITH BUSHINGS
19	5058514LL	DUO REAR ENGINE SUPPORT WITH BUSHINGS
20	7470604	VIBRATION-DAMPING
21	5225228.01AL	FITTING M20X1.25 ES22 H28.5 OT57USA
22	7826206	SCREW TCI M3X30 UNI 6107 OT
23	7304534TR	STRAIGHT FITTING M1/8
24	5194638	TUBE PTFE 6X75
25	5471545	SPRING COVER TUBE PTFE
26	7304538TR	FITTING
27	5162535LL	WATER INLET HOSE-PUMP DUO MOT.SISME
28	7702414.01	EV.2 WAYS OLAB 240V BIG COIL
28	7701121.01	SOLENOID VALVE 2WAY OLAB 110V BIG

BEZZERA

MATRIX

TABLE 2A - (up to 30/04/2025)
MATRIX Mod. MN



BEZZERA

MATRIX

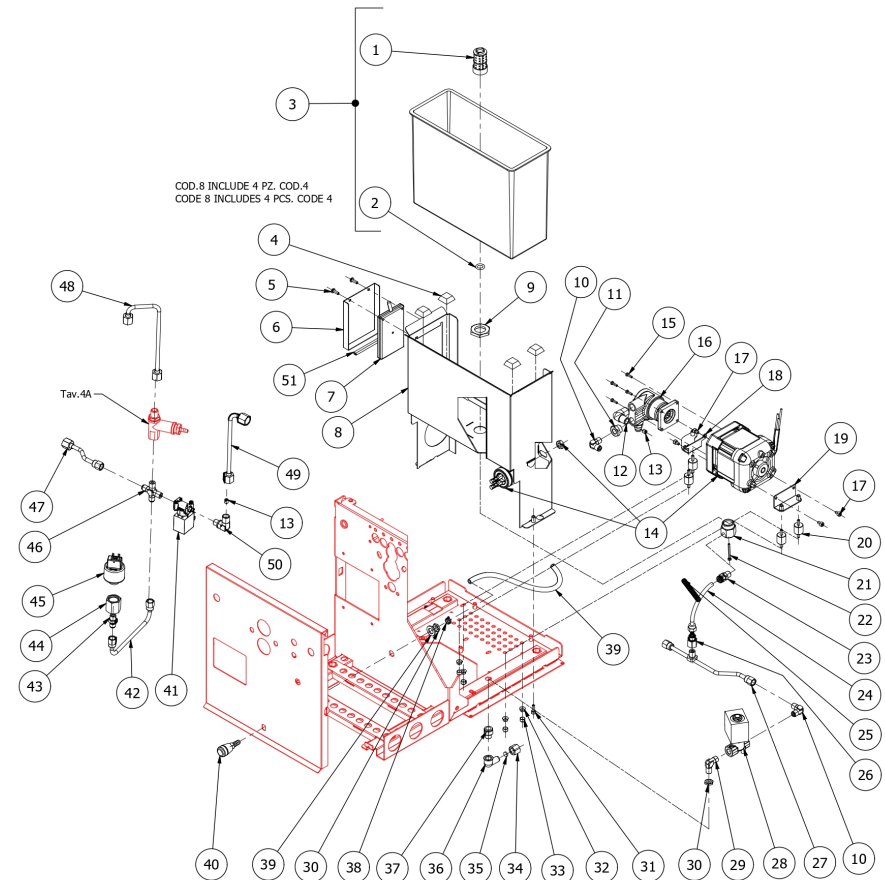
TABLE 2A - (up to 30/04/2025)
MATRIX Mod. MN

POS	CODE	DESCRIPTION
28	7702320.01	EV.2 WAY 220/230V BIG COIL
29	7303054TR	ELBOW FITTING 1/8
30	5221844	NUT 1/8
31	7816002	SCREW TCEI M4X12 UNI 5931 A2
32	7812706	NUT M4
33	5373110	NUT COVER
34	5221835	CAP NUT 1/8
35	5492019	GASKET D8 X 2 ASBESTOS FREE
36	7304507TR	UNION ELBOW 1/8
37	7304517	FITTING SERTO 1/8
38	7611512	CLAMP
39	7815001	WASHER D10 UNI 6592 A2
39	5194554	SURPRESSION VALVE DRAIN HOSE
40	5283062	CONICAL DISCHARGE FITTING
41	7701123.01	EV.2 WAY 110V 25BAR SMALL COIL
41	7702415.01	EV.2 WAY 240V 25BAR SMALL COIL
41	7702322.01	EV.2WAY OLAB 220/230V 25BAR SMALL
42	5162421LL	TUBE PRESSURE TRANSDUCER DUO/MATRIX
43	7304502TR	STRAIGHT FITTING 1/8
44	5225420AL	FITTING 3/8
45	7666009	PRESSURE SENSOR
46	7304544TR	FITTING 1/8"G
47	5162536LL	INLET TUBE L/A DUO MOT.SISME
48	5162413LL	COFFEE BOILER DRAIN PIPE DUO/MATRIX
49	5162412LL	BOILER SERVICE DRAIN PIPE
50	5301504AL	ELBOW FITTING M12X1/8
51	5859956	SHEATH TYPE

BEZZERA

MATRIX

TABLE 2A - (up to 30/04/2025)
MATRIX Mod. MN



BEZZERA

MATRIX

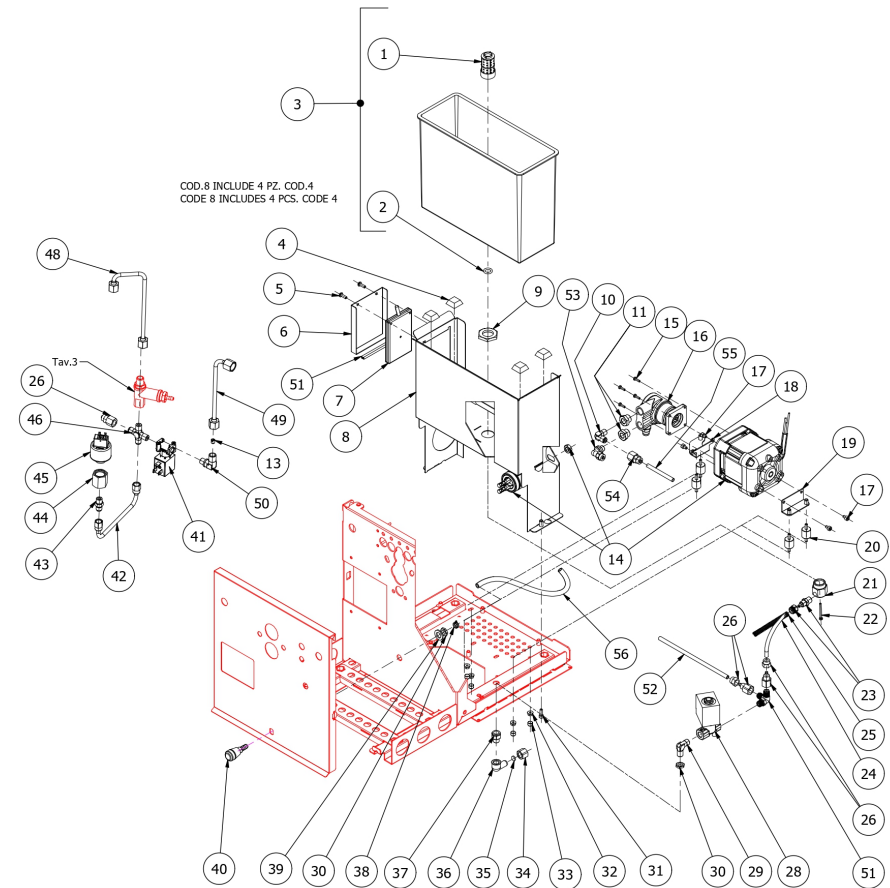
TABLE 2A - (from 01/05/2025)
MATRIX Mod. MN

POS	CODE	DESCRIPTION
1	7374002	FILTER 1/4
2	7496076	GASKET OR 112 EP856 80SH
3	5963171.01	ASSY TANK W/FILTER DUO/MATRIX
4	7474212	ADHESIVE FEET
5	7819901	SCREW TBEI M4X12 ISO 7380 A2 INOX
6	5055752LW	TANK LEVEL SENSOR PLATE
7	7666006.01	TANK LEVEL SENSOR
8	5058463.01LL	DUO/MATRIX TANK SUPPORT W/COMPASSES
9	5221830	NUT M20 H5 OT
10	7303001TR	UNION ELBOW 1/8
11	7304559	REDUCTION 1/4" 1/8"
13	5223003	JET M6 X 6 HOLE D0.8 OT
14	7742405	ELECTRIC MOTOR 220/240V
14	7741007	ELECTRIC MOTOR 110-115V 50/60HZ
15	7819921	SCREW M3x10
16	7730514	ROTATIVE PUMP 70L/H COMPACT
17	7816017	SCREW TCEI M4X6
18	5058515LL	MOTOR SUPPORT W/COMPASSES
19	5058514LL	MOTOR SUPPORT W/COMPASSES
20	7470604	VIBRATION-DAMPING
21	5225228.01AL	FITTING M20X1.25 ES22 H28.5 OT57USA
22	7826206	SCREW TCI M3X30 UNI 6107 OT
23	7304534TR	STRAIGHT FITTING M1/8
24	5194717	PTFE HOSE 6X110
25	5471545	SPRING COVER TUBE PTFE
26	7304538TR	FITTING
28	7702414.01	EV.2 WAYS OLAB 240V BIG COIL
28	7701121.01	SOLENOID VALVE 2WAY OLAB 110V BIG
28	7702320.01	EV.2 WAY 220/230V BIG COIL
29	7303054TR	ELBOW FITTING 1/8"

BEZZERA

MATRIX

TABLE 2A - (from 01/05/2025)
MATRIX Mod. MN



BEZZERA

MATRIX

TABLE 2A - (from 01/05/2025)
MATRIX Mod. MN

POS	CODE	DESCRIPTION
30	5221844	NUT 1/8
31	7816002	SCREW TCEI M4X12 UNI 5931 A2
32	7812706	NUT M4
33	5373110	NUT COVER
34	5221835	CAP NUT 1/8
35	5492019	GASKET D8 X 2 ASBESTOS FREE
36	7304507TR	UNION ELBOW 1/8
37	7304517	FITTING SERTO 1/8
38	7611512	CLAMP
39	7815001	WASHER D10 UNI 6592 A2
40	5283062	CONICAL DISCHARGE FITTING
41	7702415.01	EV.2 WAY 240V 25BAR SMALL COIL
41	7701123.01	EV.2 WAY 110V 25BAR SMALL COIL
41	7702322.01	EV.2WAY OLAB 220/230V 25BAR SMALL
42	5162421LL	TUBE PRESSURE TRANSDUCER DUO/MATRIX
43	7304502TR	STRAIGHT FITTING 1/8
44	5225420AL	FITTING 3/8
45	7666009	PRESSURE SENSOR
46	7304544TR	FITTING 1/8"G
48	5162413LL	COFFEE BOILER DRAIN PIPE DUO/MATRIX
49	5162412LL	BOILER SERVICE DRAIN PIPE
50	5301504AL	ELBOW FITTING M12X1/8
51	7304505.01TR	ELBOW FITTING 3 WAYS
52	5194718	PTFE PIPE 6X110
53	7304536TR	UNION ELBOW D6 1/8"G RUVECO
54	7304561TR	STRAIGHT CONNECTION F1/8
55	5194716	PTFE TUBE 6X60
56	5194554	SURPRESSION VALVE DRAIN HOSE

BEZZERA

MATRIX

TABLE 2A - (from 01/05/2025)
MATRIX Mod. MN

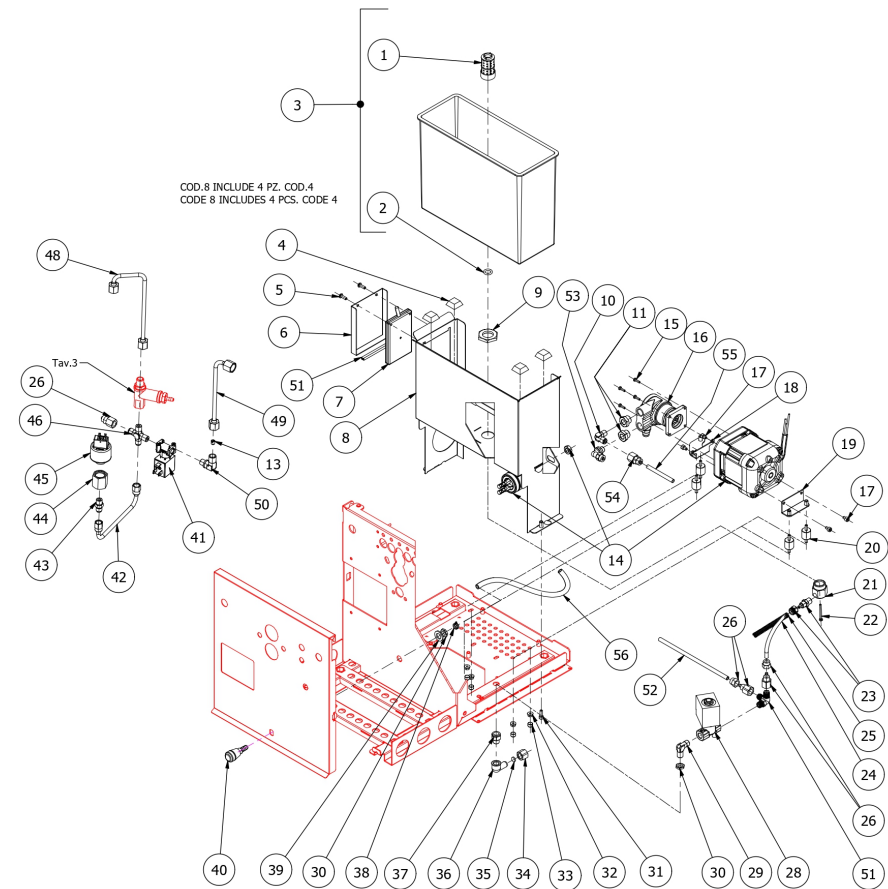


TABLE 3
MATRIX Mod. DE

POS	CODE	DESCRIPTION
1	5283060	DRAIN FITTING
2	7815001	WASHER D10 UNI 6592 A2
3	5221844	NUT 1/8
4	7816002	SCREW TCEI M4X12
5	7304507TR	UNION ELBOW 1/8
6	7304517	UNION 1/8
7	7666005	PRESSURE SENSOR ETX165
8	5162421LL	PRESSURE GAUGE HOSE
9	7304502TR	UNION 1/8
10	5162415LL	L / A INPUT TUBE DUO/MATRIX
11	5162414LL	PUMP WATER INPUT TUBE DUO/MATRIX
12	5492019	GASKET D8X2
13	5221835	CAP NUT 1/8
14	7815003	WASHER D5 UNI6592 A2
15	7812601	NUT M4 STAINLESS STEEL UNI 5588
16	5058463LL	TANK SUPPORT
17	7474212	ADHESIVE FEET
18	5221830	NUT M20X1.25 H5 OT
19	7633012	SHEATH 142 EPDM BLACK
20	7819901	SCREW TBEI M4X12 ISO 7380 A2
21	7666006.01	TANK LEVEL SENSOR
22	5194554	HOSE D8X5 L=250 SLICONE
23	7611516	CLAMP 10086-BIFM086
24	7303001TR	UNION ELBOW 1/8
25	7304505TR	FITTING ELBOW 3 WAY 1/8
26	7304538TR	UNION STRAIGHT F1/8
27	5194617	PTFE HOSE D6x140
28	5225228.01	FITTING M20X1.25 H28.5 OT
29	7304534TR	UNION STRAIGHT M 1/8
30	7826206	SCREW TCI M3X30 UNI6107 OT

TABLE 3
MATRIX Mod. DE

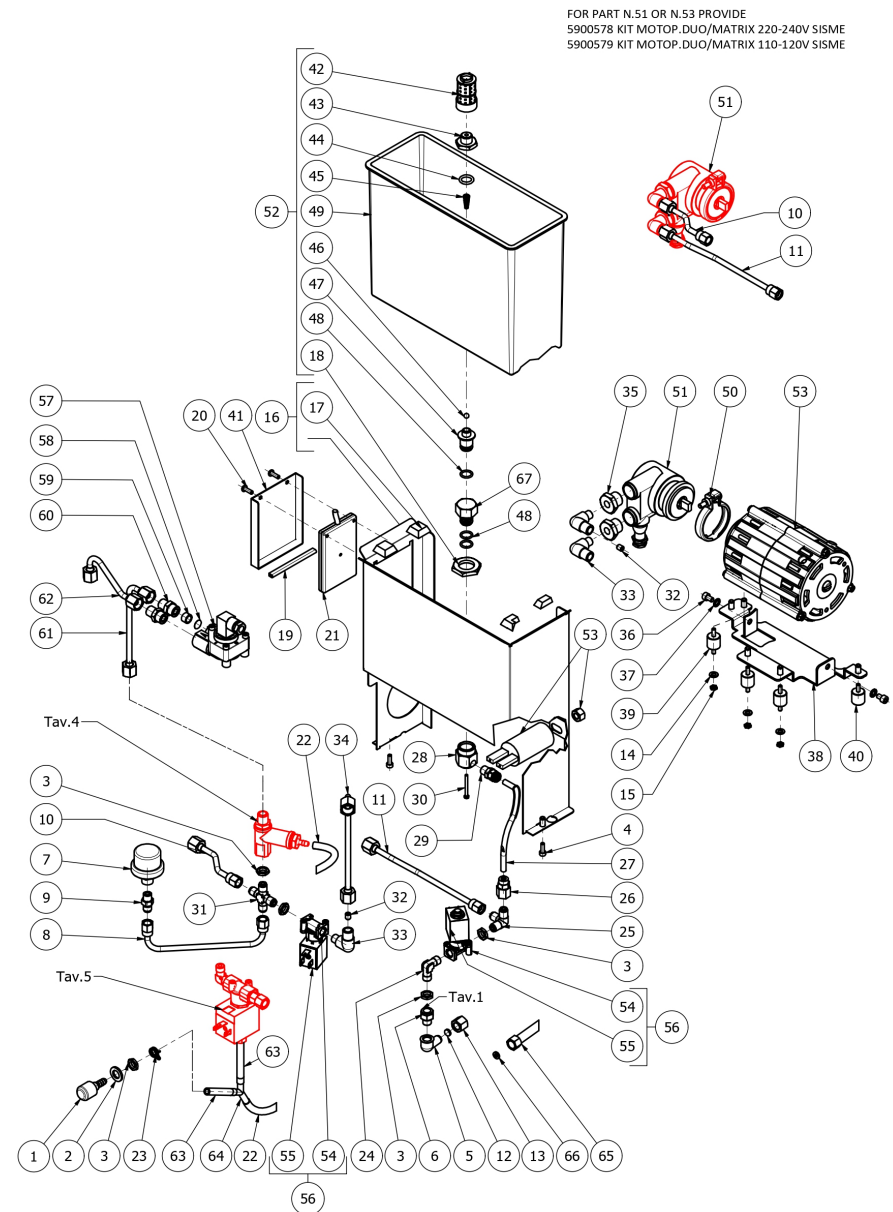


TABLE 3
MATRIX Mod. DE

POS	CODE	DESCRIPTION
31	7304001TR	UNION CROSS 1/8
32	5223003	JET M6X6 HOLE D0.8 BRASS
33	5301504TR	FITTING ELBOW M12X1/8
34	5162412LL	BOILER LOAD HOSE
35	5302057AL	FITTING 1/8
36	7816027	SCREW TCEI M5X8
37	7814002	NOTCHED WASHER D5 DIN 6798A A2
38	5058411LL	MOTOR SUPPORT
39	7470604	VIBRATION-DAMPING
40	7474219	RUBBER FEET D15X15 M4X10
41	5055752LW	TANK LEVEL SENSOR PLATE
42	7374002	FILTER 1/4
43	5302065.01AL	TANK FILTER REDUCTION
44	7496073.01	OR GASKET 115 EP856
45	5471521.01	COUPLING SPRING
46	5471509	BALL 7/32
47	5224617	GASKET-HOLDER D14.5X25 OT
48	7496076	OR GASKET 112 EP856 80SH
49	7373012	TANK 3 LT. CAPACITY
50	7611508	PUMP CLAMP
51	7730509	PUMP 50-70L/H+CLAMP+JOINT
52	5963171	ASSEMBLY TANK C / FILTER DUO/MATRIX
53	7742404.01	ELECTRIC MOTOR 220/240V 50/60HZ 1 GROUP
53	7741005.01	ELECTRIC MOTOR 110V 25MF 50/60HZ
54	7703018	SOLENOID VALVE WITHOUT COIL 2 WAY OLAB
55	7630341	SOLENOID VALVE COIL 2 WAY 220/230V OLAB
55	7630343	SOLENOID VALVE COIL 2 WAY 240V OLAB
55	7630339	SOLENOID VALVE COIL 2 WAY 110V OLAB
56	7701123	SOLENOID VALVE 2 WAY 110V OLAB
56	7702415	SOLENOID VALVE 2 WAY 240V OLAB

TABLE 3
MATRIX Mod. DE

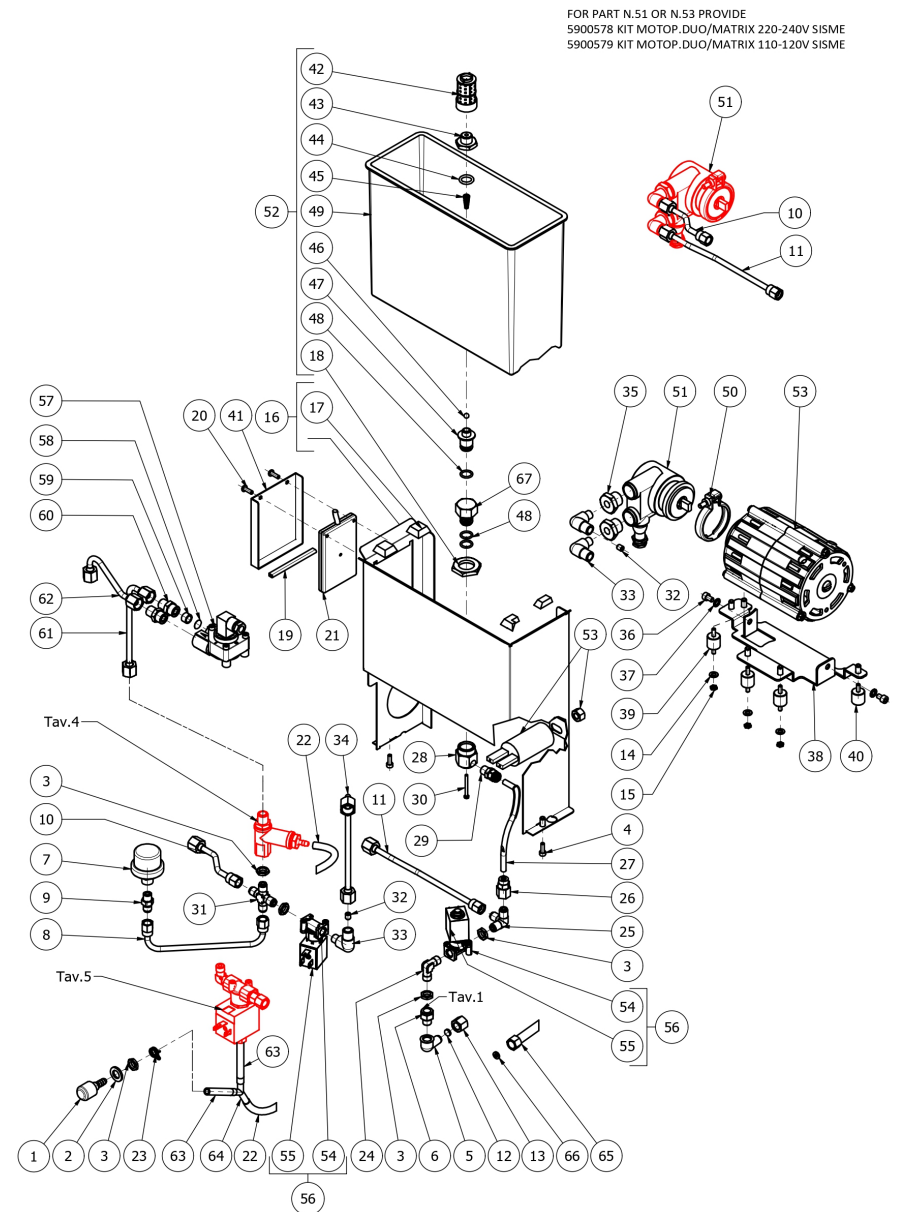
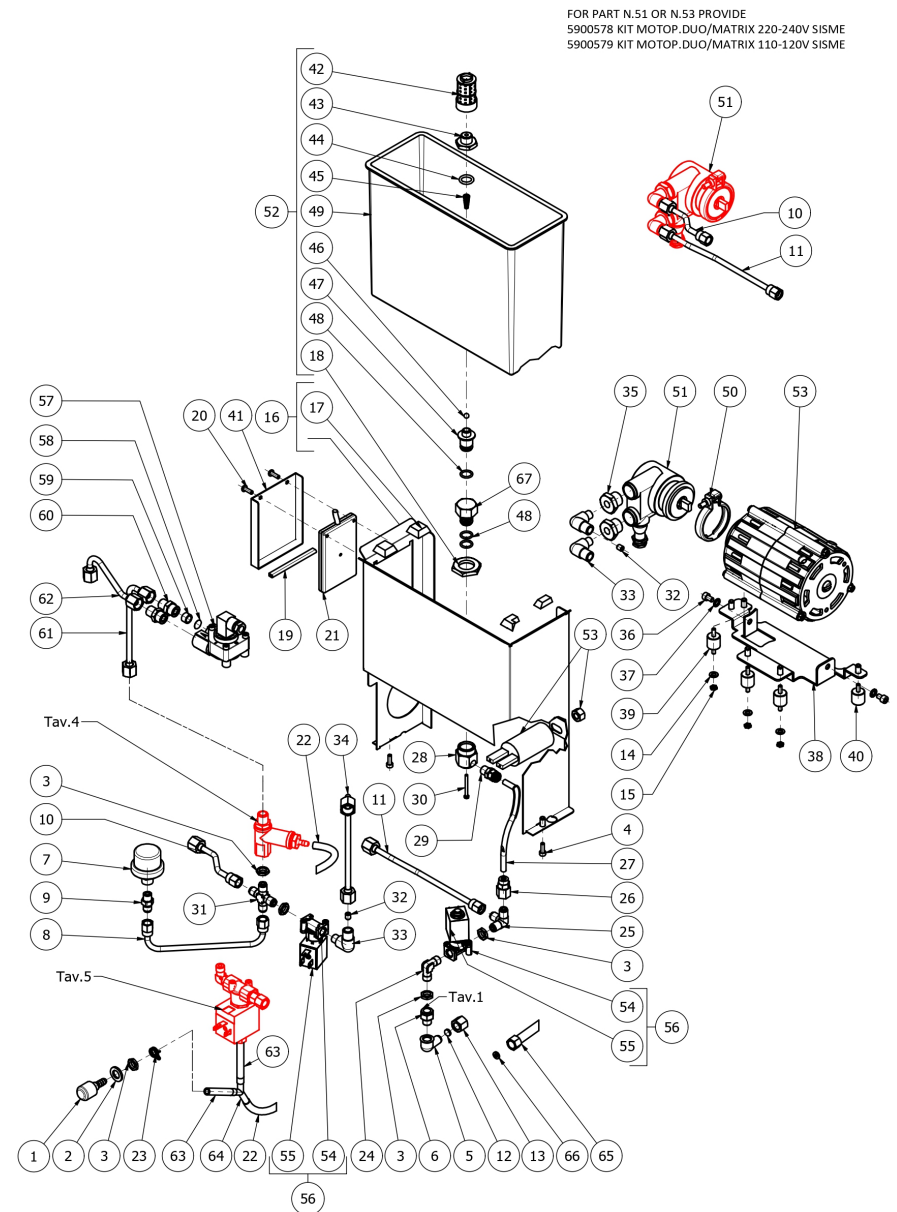


TABLE 3
MATRIX Mod. DE

POS	CODE	DESCRIPTION
56	7702322	SOLENOID VALVE 2 WAY 220/230V OLAB
57	7431001	FLOW METER + AUT. WITH LED
58	5471001	MESH FILTER D11 AISI 304
59	5191501	SPACER D11X8X6.5 PTFE
60	5302009	FITTING M12X1/4
61	5162416LL	FLOW METER INPUT TUBE DUO/MATRIX
62	5162418LL	OUTLET HOSE FLOW METER
63	5194532	HOSE D8X5 L=60 SLICONE
64	7303039	FITTING
65	7200514	FLEXIBLE HOSE
66	7492004	GASKET D8.5X4.2X1.5
67	5226416AL	PLUG HEXAGONAL 22 x 26.5

TABLE 3
MATRIX Mod. DE



BEZZERA

MATRIX

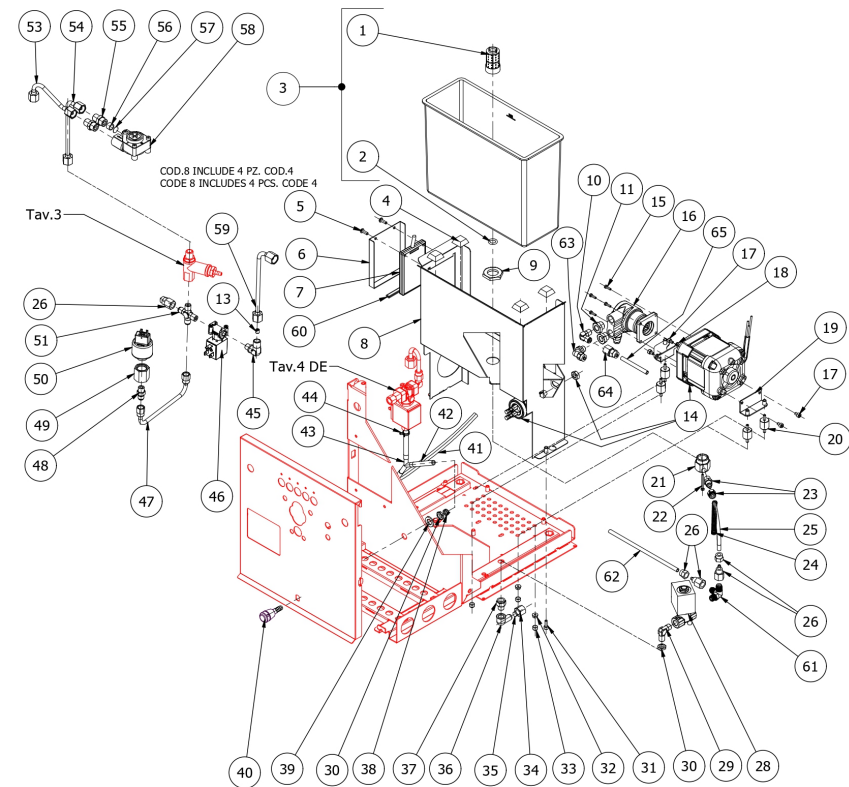
TABLE 3A - (from 01/05/2025)
MATRIX Mod. DE

POS	CODE	DESCRIPTION
1	7374002	FILTER 1/4
2	7496076	GASKET OR 112 EP856 80SH
3	5963171.01	ASSY TANK W/FILTER DUO/MATRIX
4	7474212	ADHESIVE FEET
5	7819901	SCREW TBEI M4X12 ISO 7380 A2 INOX
6	5055752LW	TANK LEVEL SENSOR PLATE
7	7666006.01	TANK LEVEL SENSOR
8	5058463.01LL	DUO/MATRIX TANK SUPPORT W/COMPASSES
9	5221830	NUT M20 H5 OT
10	7303001TR	UNION ELBOW 1/8
11	7304559	REDUCTION 1/4" 1/8"
13	5223003	JET M6 X 6 HOLE D0.8 OT
14	7742405	ELECTRIC MOTOR 220/240V
14	7741007	ELECTRIC MOTOR 110-115V 50/60HZ
15	7819921	SCREW M3x10
16	7730514	ROTATIVE PUMP 70L/H COMPACT
17	7816017	SCREW TCEI M4X6
18	5058515LL	MOTOR SUPPORT W/COMPASSES
19	5058514LL	MOTOR SUPPORT W/COMPASSES
20	7470604	VIBRATION-DAMPING
21	5225228.01AL	FITTING M20X1.25 ES22 H28.5 OT57USA
22	7826206	SCREW TCI M3X30 UNI 6107 OT
23	7304534TR	STRAIGHT FITTING M1/8
24	5471545	SPRING COVER TUBE PTFE
25	5194717	PTFE HOSE 6X110
26	7304538TR	FITTING
28	7702414.01	EV.2 WAYS OLAB 240V BIG COIL
28	7702320.01	EV.2 WAY 220/230V BIG COIL
28	7701121.01	SOLENOID VALVE 2WAY OLAB 110V BIG
29	7303054TR	ELBOW FITTING 1/8"

BEZZERA

MATRIX

TABLE 3A - (from 01/05/2025)
MATRIX Mod. DE



BEZZERA

MATRIX

TABLE 3A - (from 01/05/2025)
MATRIX Mod. DE

POS	CODE	DESCRIPTION
30	5221844	NUT 1/8
31	7816002	SCREW TCEI M4X12 UNI 5931 A2
32	7812706	NUT M4
33	5373110	NUT COVER
34	5221835	CAP NUT 1/8
35	5492019	GASKET D8 X 2 ASBESTOS FREE
36	7304507TR	UNION ELBOW 1/8
37	7304517	FITTING SERTO 1/8
38	7611512	CLAMP
39	7815001	WASHER D10 UNI 6592 A2
40	5283062	CONICAL DISCHARGE FITTING
41	5194554	SURPRESSION VALVE DRAIN HOSE
42	5194532	D8 X 1.5 SILICONE HOSE
43	7303039	FITTING
44	7611516	CLAMP 10086
45	5301504AL	ELBOW FITTING M12X1/8
46	7702415.01	EV.2 WAY 240V 25BAR SMALL COIL
46	7701123.01	EV.2 WAY 110V 25BAR SMALL COIL
46	7702322.01	EV.2WAY OLAB 220/230V 25BAR SMALL
47	5162421LL	TUBE PRESSURE TRANSDUCER DUO/MATRIX
48	7304502TR	STRAIGHT FITTING 1/8
49	5225420AL	FITTING 3/8
50	7666009	PRESSURE SENSOR
51	7304544TR	FITTING 1/8"G
53	5162418LL	EXIT TUBE VOLUMETRIC COUNTER
54	5162416LL	INLET TUBE VOLUMETRIC COUNTER DUO/
55	5471019	FILTER D8,5X5 AISI304
56	5302009AL	FITTING M12X1/4
57	5191501	SPACER D11X8X6.5 PTFE
57	5471001	NET FILTER D11 AISI 304

BEZZERA

MATRIX

TABLE 3A - (from 01/05/2025)
MATRIX Mod. DE

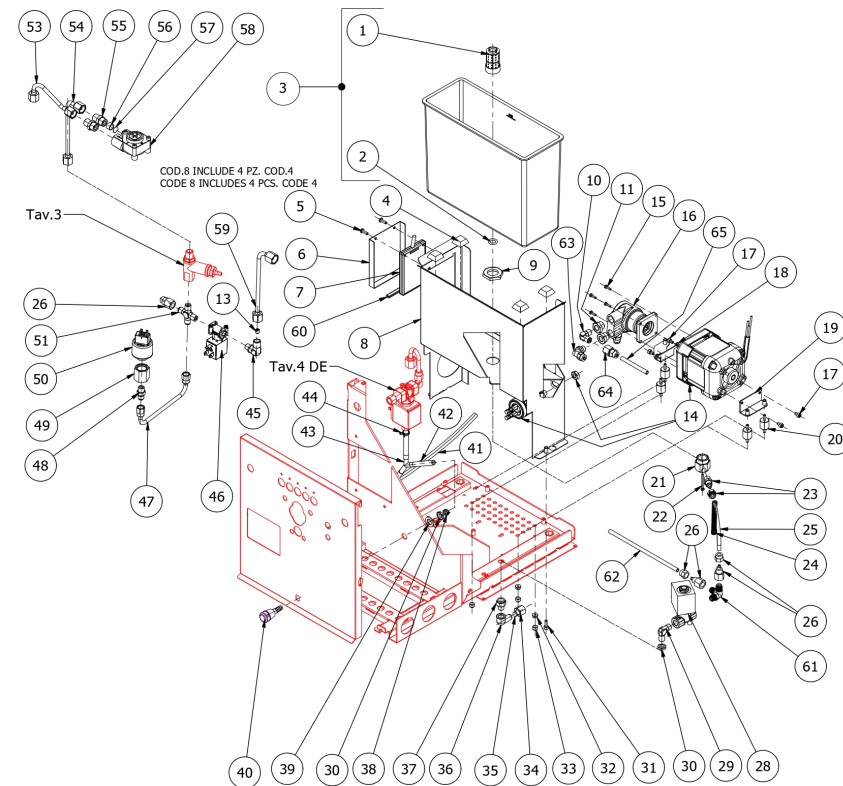
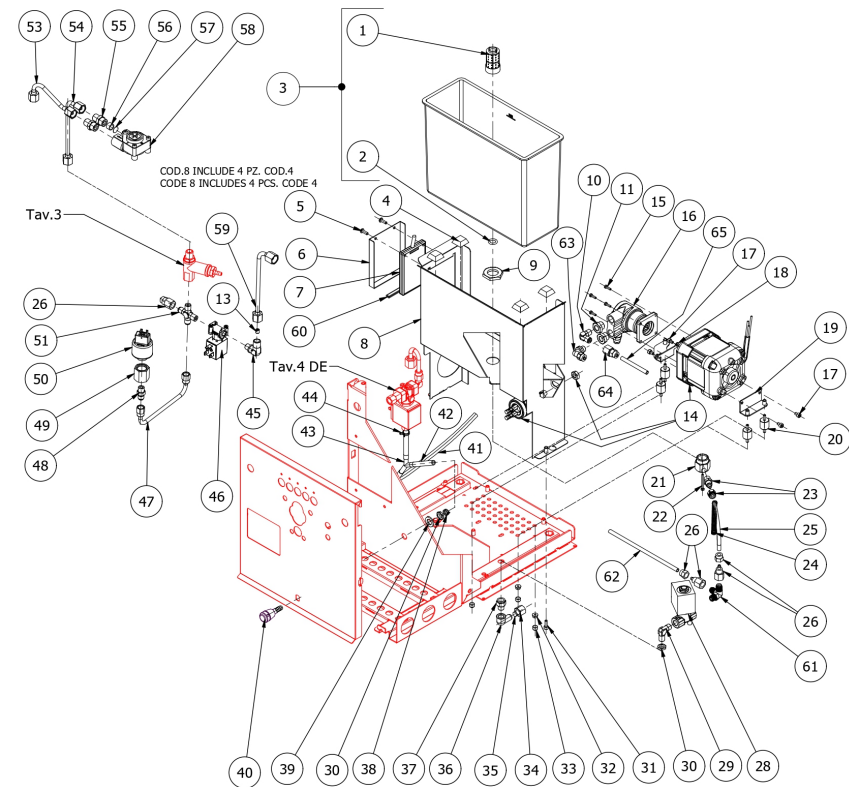


TABLE 3A - (from 01/05/2025)
MATRIX Mod. DE

POS	CODE	DESCRIPTION
58	7431001.01	VOLUMETRIC COUNTER+AUTOMATIC LED
59	5162412LL	BOILER SERVICE DRAIN PIPE
60	7633012	SHEATH A
61	7304505.01TR	ELBOW FITTING 3 WAYS
62	5194718	PTFE PIPE 6X110
63	7304536TR	UNION ELBOW D6 1/8"G RUVECO
64	7304561TR	STRAIGHT CONNECTION F1/8
65	5194716	PTFE TUBE 6X60

TABLE 3A - (from 01/05/2025)
MATRIX Mod. DE



BEZZERA

MATRIX

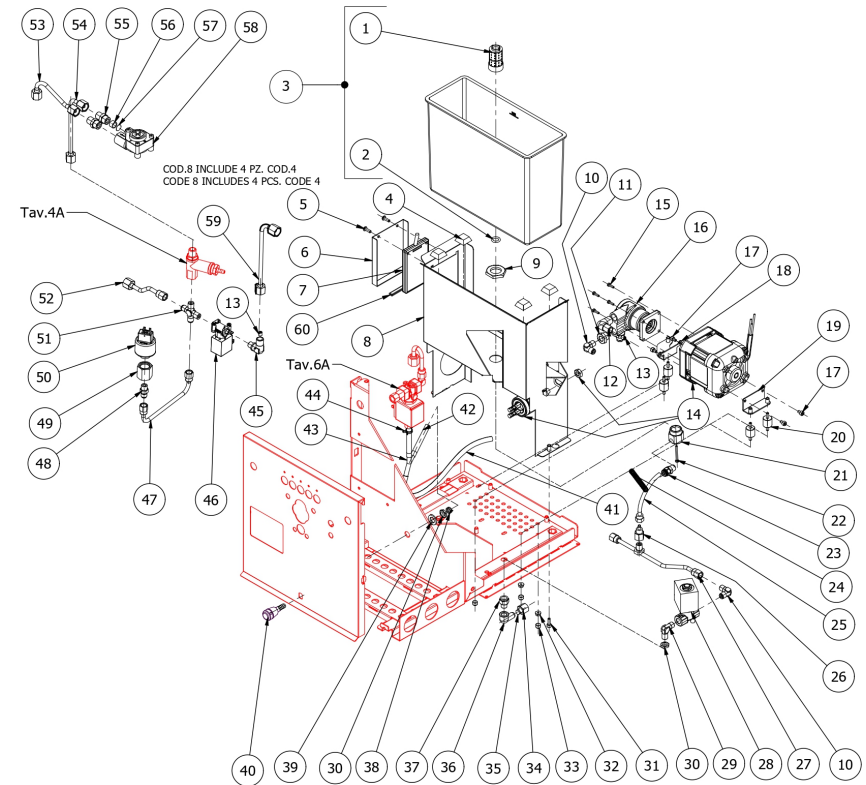
TABLE 3A - (up to 30/04/2025)
MATRIX Mod. DE

POS	CODE	DESCRIPTION
1	7374002	FILTER 1/4
2	7496076	GASKET OR 112 EP856 80SH
3	5963171.01	ASSY TANK W/FILTER DUO/MATRIX
4	7474212	ADHESIVE FEET
5	7819901	SCREW TBEI M4X12 ISO 7380 A2 INOX
6	5055752LW	TANK LEVEL SENSOR PLATE
7	7666006.01	TANK LEVEL SENSOR
8	5058463.01LL	DUO/MATRIX TANK SUPPORT W/COMPASSES
9	5221830	NUT M20 H5 OT
10	7303001TR	UNION ELBOW 1/8
11	7304559	CYLINDRICAL MF REDUCTION G1/4
12	5301512.01AL	ELBOW FITTING M12X1/4
13	5223003	JET M6 X 6 HOLE D0.8 OT
14	7741007	ELECTRIC MOTOR 110-115V 50/60HZ
14	7742405	ELECTRIC MOTOR 220/240V
15	7819921	SCREW M3x10
16	7730514	ROTATIVE PUMP 70L/H COMPACT
17	7816017	SCREW TCEI M4X6
18	5058515LL	DUO FRONT ENGINE SUPPORT WITH BUSHINGS
19	5058514LL	DUO REAR ENGINE SUPPORT WITH BUSHINGS
20	7470604	VIBRATION-DAMPING
21	5225228.01AL	FITTING M20X1.25 ES22 H28.5 OT57USA
22	7826206	SCREW TCI M3X30 UNI 6107 OT
23	7304534TR	STRAIGHT FITTING M1/8
24	5471545	SPRING COVER TUBE PTFE
25	5194638	TUBE PTFE 6X75
26	7304538TR	FITTING
27	5221806	NUT 1/8
28	7702414.01	EV.2 WAYS OLAB 240V BIG COIL
28	7701121.01	SOLENOID VALVE 2WAY OLAB 110V BIG

BEZZERA

MATRIX

TABLE 3A - (up to 30/04/2025)
MATRIX Mod. DE



BEZZERA

MATRIX

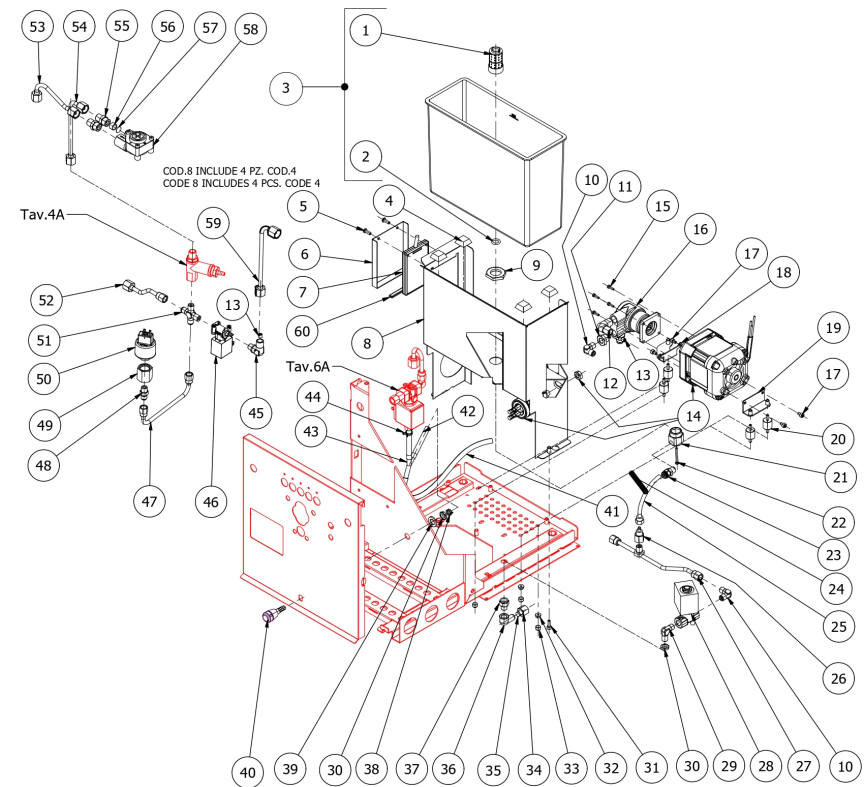
TABLE 3A - (up to 30/04/2025)
MATRIX Mod. DE

POS	CODE	DESCRIPTION
28	7702320.01	EV.2 WAY 220/230V BIG COIL
29	7303054TR	ELBOW FITTING 1/8
30	5221844	NUT 1/8
31	7816002	SCREW TCEI M4X12 UNI 5931 A2
32	7812706	NUT M4
33	5373110	NUT COVER
34	5221835	CAP NUT 1/8
35	5492019	GASKET D8 X 2 ASBESTOS FREE
36	7304507TR	UNION ELBOW 1/8
37	7304517	FITTING SERTO 1/8
38	7611512	CLAMP
39	7815001	WASHER D10 UNI 6592 A2
40	5283062	CONICAL DISCHARGE FITTING
41	5194554	SURPRESSION VALVE DRAIN HOSE
42	5194532	D8 X 1.5 SILICONE HOSE
43	7303039	FITTING
44	7611516	CLAMP 10086
45	5301504AL	ELBOW FITTING M12X1/8
46	7702322.01	EV.2WAY OLAB 220/230V 25BAR SMALL
46	7701123.01	EV.2 WAY 110V 25BAR SMALL COIL
46	7702415.01	EV.2 WAY 240V 25BAR SMALL COIL
47	5162421LL	TUBE PRESSURE TRANSDUCER DUO/MATRIX
48	7304502TR	STRAIGHT FITTING 1/8
49	5225420AL	FITTING 3/8
50	7666009	PRESSURE SENSOR
51	7304544TR	FITTING 1/8"G
52	5162536LL	INLET TUBE L/A DUO MOT.SISME
53	5162418LL	EXIT TUBE VOLUMETRIC COUNTER
54	5162416LL	INLET TUBE VOLUMETRIC COUNTER DUO/
55	5471019	FILTER D8,5X5 AISI304

BEZZERA

MATRIX

TABLE 3A - (up to 30/04/2025)
MATRIX Mod. DE



BEZZERA**MATRIX**

TABLE 3A - (up to 30/04/2025)

MATRIX Mod. DE

POS	CODE	DESCRIPTION
55	5302009AL	FITTING M12X1/4
56	5191501	SPACER D11X8X6.5 PTFE
57	5471001	NET FILTER D11 AISI 304
58	7431001.01	VOLUMETRIC COUNTER+AUTOMATIC LED
59	5162412LL	BOILER SERVICE DRAIN PIPE
60	5859956	SHEATH TYPE

BEZZERA**MATRIX**

TABLE 3A - (up to 30/04/2025)

MATRIX Mod. DE

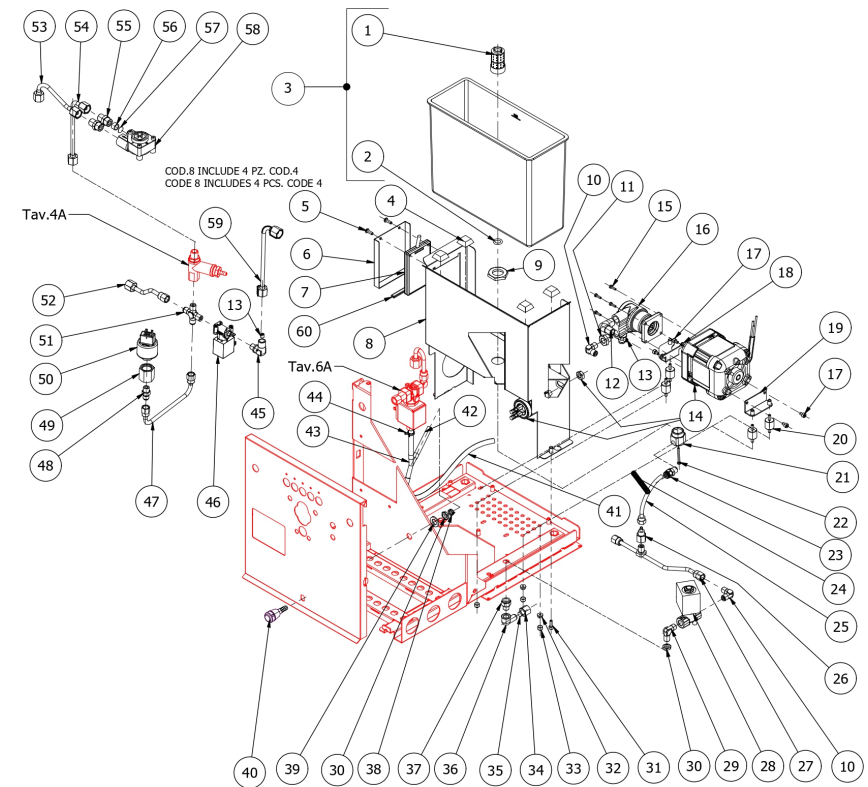


TABLE 4
MATRIX Mod. MN/DE

POS	CODE	DESCRIPTION
1	5493042	GASKET D11X3 EPDM 80SH
2	5471539	CALIBRATED SPRING D1.6 H21.5 AISI302
3	7496018	OR GASKET 105 VITON
4	5471505	CALIBRATED SPRING D0.45 H22 AISI302
5	7496052	OR GASKET 114 VITON
6	5471019	FILTER D8,5X5 AISI304
7	5283053TP	SURPRESSION VALVE BODY
8	5224615TP	GASKET-HOLDER S/PB-NI
9	5302017TP	FITTING M20X1.25 H28.5 OT
10	5302077TP	RIBBER-HOLDER FITTING
11	5224620TP	GASKET-HOLDER OT S/PB
12	5965212.01AL	ASSEMBLY SURPRESSION VALVE 12BAR

TABLE 4
MATRIX Mod. MN/DE

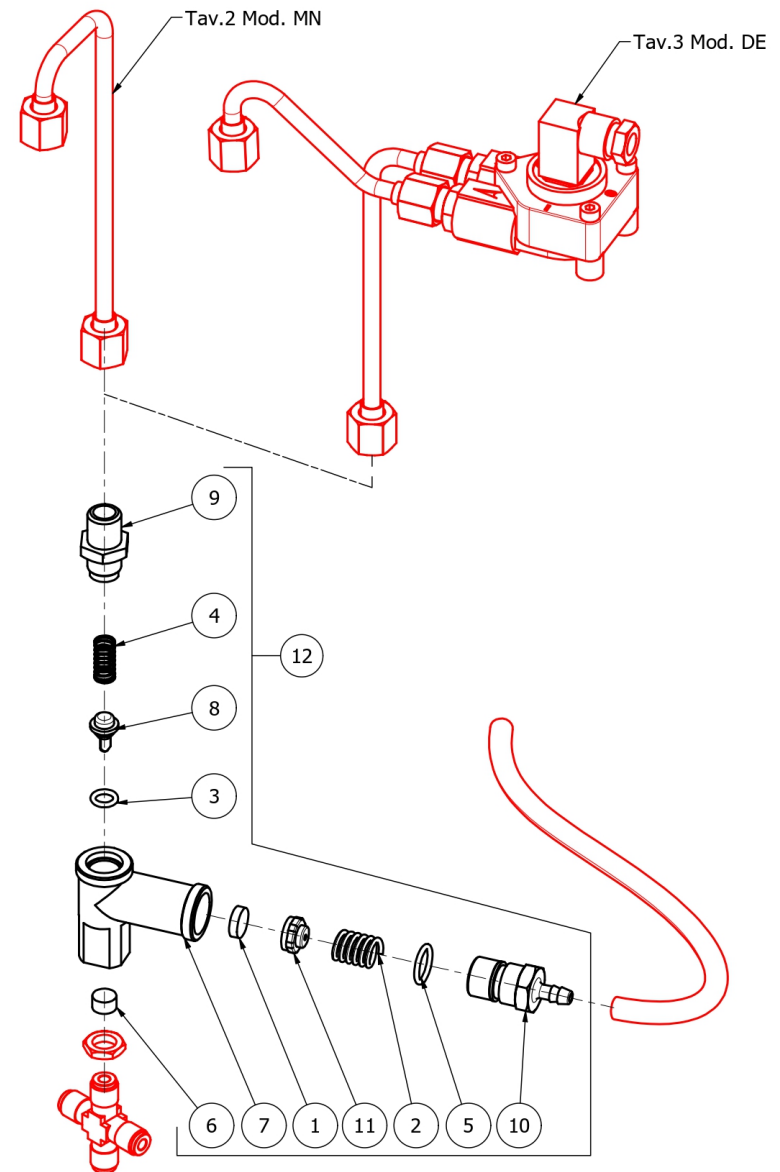


TABLE 4A
MATRIX Mod. MN/DE

POS	CODE	DESCRIPTION
1	5302017AL	FITTING M12 ES16 H26.5 OT57USA
2	5471505	CALIBRATED SPRING D0.45 H22 AISI302
3	5224615AL	GASKET-HOLDER SURP.VALVE OT57USA
4	7496018	OR GASKET 105
5	5302077AL	FITTING PORT.M14X1 OTXTUBO6X4 OT57U
6	7496052	OR GASKET 114 VITON
7	5471539	CALIBRATED SPRING D.1,6
8	5224620AL	GASKET-HOLDER ES.12X6.8 OT57USA
9	5493042	GASKET D.11X3
10	5283053TP	SURPRESSION VALVE BODY
11	5471019	FILTER D8,5X5 AISI304
12	5965212.01AL	ASSY OPV ADJUST. 9/12 BAR

TABLE 4A
MATRIX Mod. MN/DE

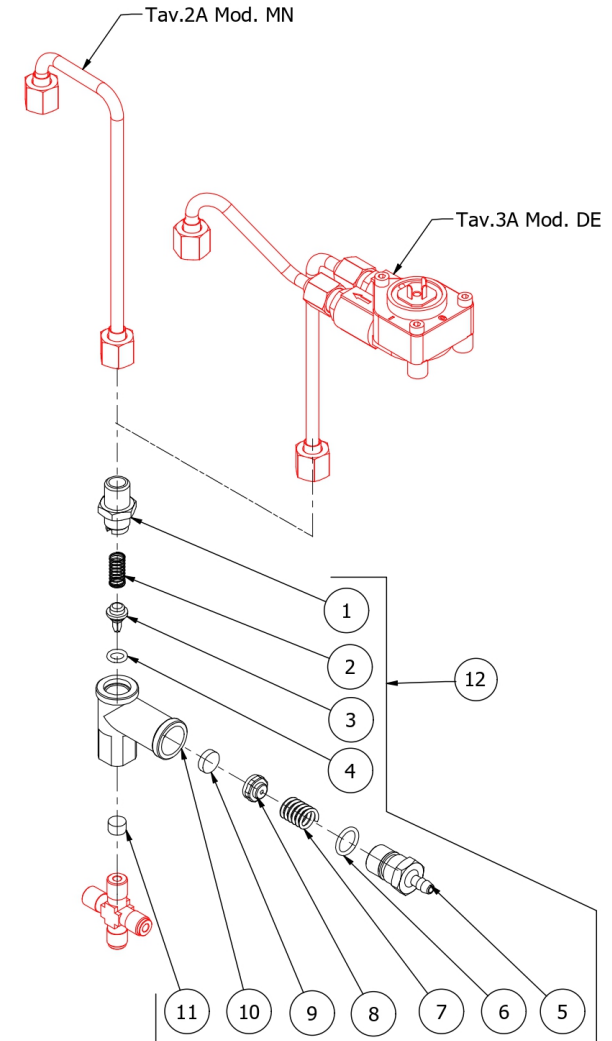


TABLE 5
MATRIX Mod. MN

POS	CODE	DESCRIPTION
1	5163374LL	UPPER HEATING HOSE
2	5164092LL	BOTTOM HEATING HOSE
3	5320527BL	COFFEE BOILER DUO/MATRIX
4	5494016	GASKET 56X42X2
5	5302006TP	FITTING M12 X 1/8
6	5192320	SUCTION HOSE D6X1 L=60MM PTFE
7	7666008	PROBE T.PID AISI316 D3
8	7814001	WASHER D4 DIN 6798A A2
9	7663573	GROUND WIRE
10	5722313TP	HEATING ELEMENT 115V 800W
10	5722312TP	HEATING ELEMENT 230V 800W
11	5301507TR	FITTING ELBOW M13X3/8
12	7826212	SCREW TCI M4X6 UNI6107 OT
13	7434009	THERMOSTAT MANUAL 16A 135°C
14	5164091R	UPPER HEATING HOSE
15	5302011	FITTING 3/8
16	7303044TR	FITTING 3/8
17	5495008	GASKET D23x17.2x3
18	9991014	COFFEE BOILER COVER DUO/MATRIX

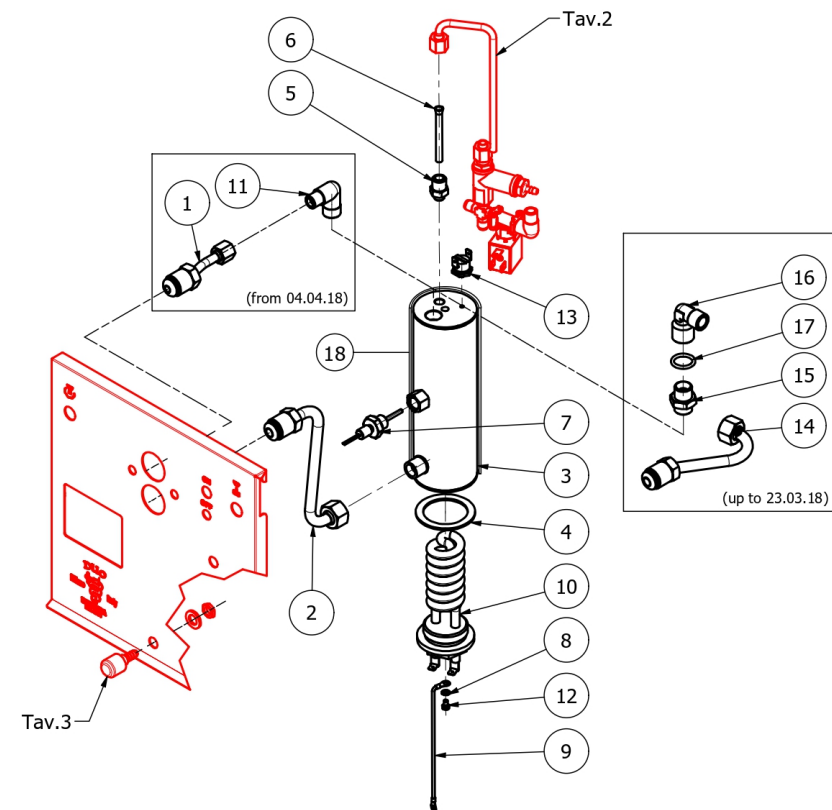
TABLE 5
MATRIX Mod. MN

TABLE 6
MATRIX Mod. DE

POS	CODE	DESCRIPTION
1	5320527BL	COFFEE BOILER DUO/MATRIX
2	5494016	GASKET 56X42X2
3	5302006TP	FITTING M12 X 1/8
4	5192320	SUCTION HOSE D6X1 L=60MM PTFE
5	7666008	PROBE T.PID AISI316 D3
6	7814001	WASHER D4 DIN 6798A A2
7	7663573	GROUND WIRE
8	5722312TP	HEATING ELEMENT 230V 800W
8	5722313TP	HEATING ELEMENT 115V 800W
9	7823001	DOWEL 1/8
10	7826212	SCREW TCI M4X6 UNI6107 OT
11	7434009	THERMOSTAT MANUAL 16A 135°C
12	5302005TP	FITTING M13 X 3/8
13	5370313	RUBBER-HOLDER
14	7303001TR	UNION ELBOW 1/8
15	5194532	HOSE D8X5 L=60 SLICONE
16	7303039	FITTING
17	5162417LL	GROUP INPUT TUBE DUO/MATRIX
18	5194554	HOSE D8X5 L=250 SLICONE
19	7304541TR	STRAIGHT ROTARY FITTING
20	7703016	SOLENOID VALVE WITHOUT COIL 3 WAY OLAB
21	7630340	SOLENOID VALVE COIL 2-3 WAY 220/230V OLAB
22	7702319	SOLENOID VALVE 3 WAY 220/230V OLAB
22	7702412	SOLENOID VALVE 3 WAY 240V OLAB
22	7701120	SOLENOID VALVE 3 WAY 110V OLAB
23	9991014	COFFEE BOILER COVER DUO/MATRIX

TABLE 6
MATRIX Mod. DE

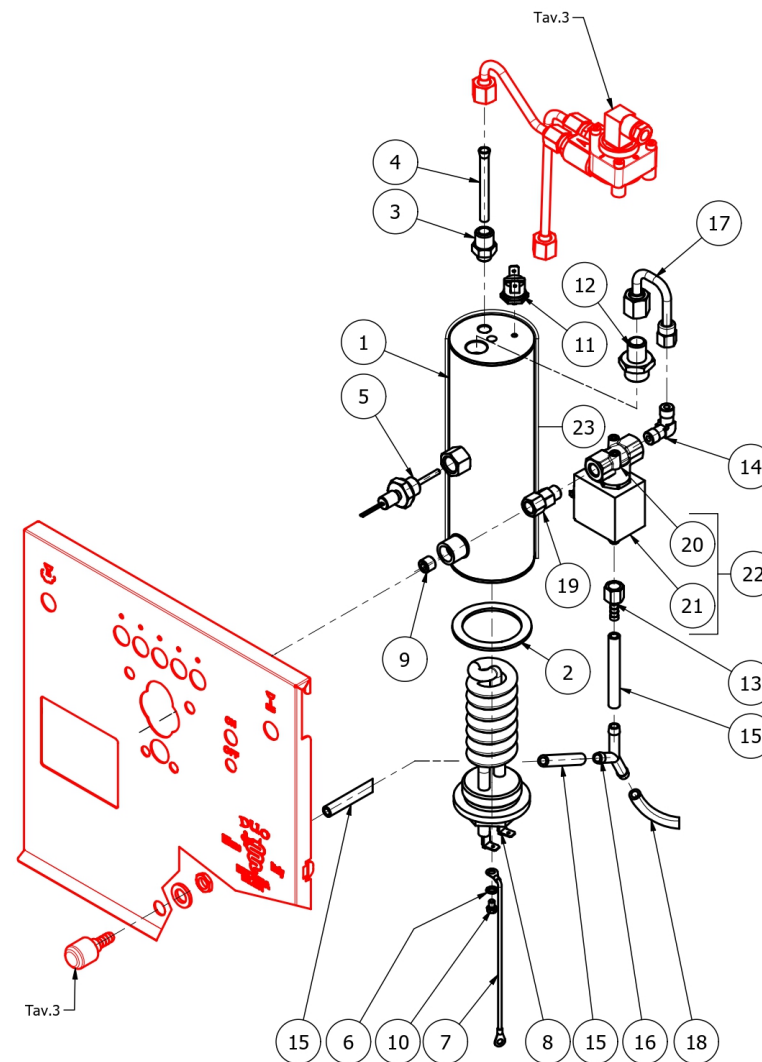


TABLE 6A
MATRIX Mod. DE

POS	CODE	DESCRIPTION
1	5192320	DRAW OUT D6X1 L=60 PTFE
2	5302006AL	FITTING M12X1/8
3	7434009	THERMOSTAT MANUAL 16A 135°C
4	5302005AL	FITTING M13X3/8
5	5320527BL	COFFEE BOILER DUO/MATRIX BRILLIANT
6	7666008	PROBE X THERMOPID AISI316 D3
7	7823001TP	HEADLESS SCREW 1/8
8	5494016	GASKET D56X42X2
9	5722315AL	HEATING ELEMENT 115V 800W
9	5722314AL	HEATING ELEMENT 230V 800W
10	7663573.01	RESISTANCE CONNECTION CABLE
11	5058127LW	STAFFA CALD.CAF.DUO/MATRIX DE
12	7826212	SCREW TCI M4X6 UNI 6107 OT
13	7814001	WASHER D4 DIN 6798A A2
14	7304558	FITTING 1/8 1/8
15	5162417LL	INTEL TUBE GROUP DUO/MATRIX(BZ)
16	7303001TR	UNION ELBOW 1/8
17	7702419	SOLENOID VALVE 3 WAYS 110/120V
17	7702420	EV.3 VIE ODE 220V 60HZ
17	7702418	SOLENOID VALVE 3 WAYS ODE 230/240V
18	5370313	GROUP E.VALVE DRAIN RUBBER HOLDER
19	9991014	COFFEE BOILER COVER DUO/MATRIX

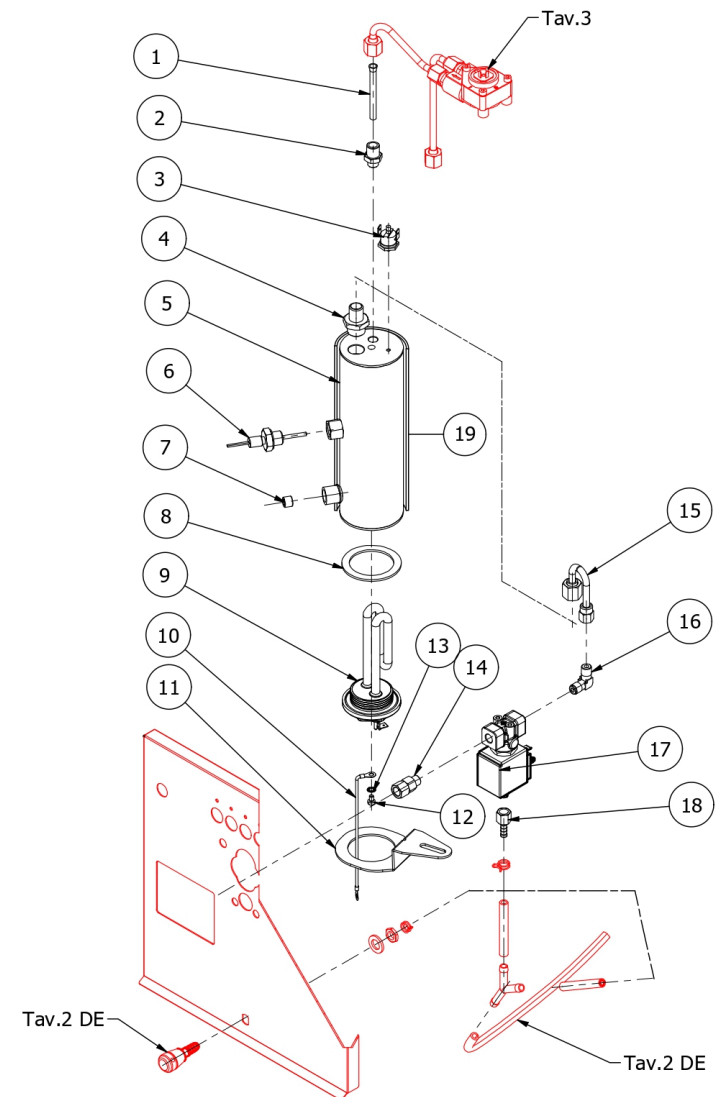
TABLE 6A
MATRIX Mod. DE

TABLE 7
MATRIX Mod. MN/DE

POS	CODE	DESCRIPTION
1	7615002	DOUBLE FASTON 45° HOLE D6.3
2	5225416TP	FITTING M12XM13 H29,5 S/OR S/PB-NI
3	7816002	SCREW TCEI M4X12
4	7814001	WASHER D4 DIN 6798A A2
5	5162420LL	STEAM HOSE DUO/MATRIX
6	5162419LL	WATER HOSE
7	5320528BL	BOILER SERV.MATRIX/DUO
8	5302006TP	FITTING M12X1/8
9	5302009	FITTING M12X1/4
10	5225209TP	FITTING M10X1/4
11	5192321	SUCTION HOSE D6X1 L=140MM PTFE
12	5301506TR	FITTING ELBOW M13X1/4
13	7666008	PROBE T.PID AISI316 D3
14	7452509.02	SICURITY VALVE 3/8
15	7452511.01	VALVE OT+TF
16	7434009	THERMOSTAT MANUAL 16A 135°C
17	7496040	OR GASKET D73X3 VITON 75SH
18	7816422	SCREW TE M6X14 UNI5739/DIN933 A2
19	7816017	SCREW TCEI M4X6
20	5058125LW	BOILER BRACKET SERVICES DUO/MATRIX
21	5225205	FITTING M10x1 OT
22	5192001	PROBE SHEATH D8X45 HOLE D3
23	5265807	LEVEL PROBE 2/3/4 GR D3X90X6.3
24	5722239.02AL	HEATING ELEMENT 220/240V 1100/1300W
24	5721128.01AL	HEATING ELEMENT 120V 1200W
25	9991015	MATRIX/DUO SERVICE BOILER COVER

TABLE 7
MATRIX Mod. MN/DE

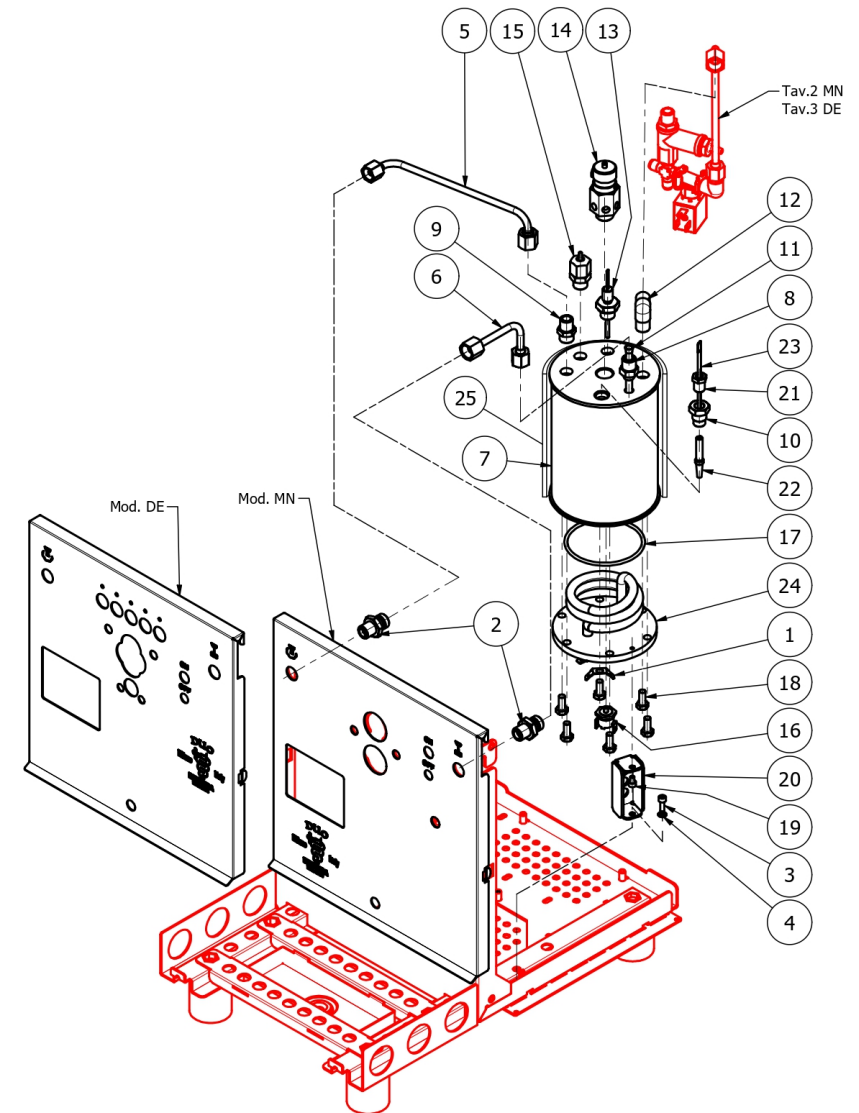


TABLE 7A
MATRIX Mod. MN/DE

POS	CODE	DESCRIPTION
1	5225416.01AL	FITTING M14XM13 ES19 H31 WITHOUT OR
2	5162419LL	WATER TUBE DUO/MATRIX
3	5302009AL	FITTING M12X1/4
4	5162420LL	STEAM TUBE DUO/MATRIX
5	7452511.01	ANTI-PRESSURE VALVE RC OT + TF
6	7452509.02	SAFETY VALVE 3/8
7	7666008	PROBE X THERMOPID AISI316 D3
8	5192321	PESCANTE D6X1 L=140 PTFE
9	5302006AL	FITTING M12X1/8
10	5301506TR	UNION ELBOW M13X1/4
11	5265807	LEVEL PROBE 2-3-4GR. D3X90X6.3 AISI
12	5225205	STRAIGHT FITTING M10 OT
13	5225209AL	FITTING M10X1/4
14	5192001	PROBE SHEATH D8 X 45 HOLE D3 PTFE
15	5320528BL	SERVICE BOILER DUO/MATRIX BRILLIANT
16	7496040	OR GASKET D73 X 3 VITON
17	5721128.01AL	HEATING ELEMENT 120V 1200W
17	5722239.02AL	HEATING ELEMENT 220/240V-1100/1300W
18	7816422	SCREW TE M6X14 UNI 5739 OT
19	7615002	DOUBLE FASTON 90° HOLE D6.3
20	7434009	THERMOSTAT MANUAL 16A 135°C
21	5057012	WASHER 4X9X0.7 AISI304 2B
22	7816002	SCREW TCEI M4X12 UNI 5931 A2
23	7814001	WASHER D4 DIN 6798A A2
24	7816009	SCREW TCEI M4X10 UNI 5931A2
25	5058125LW	BOILER BRACKET DUO / MATRIX
26	9991015	MATRIX/DUO SERVICE BOILER COVER

TABLE 7A
MATRIX Mod. MN/DE

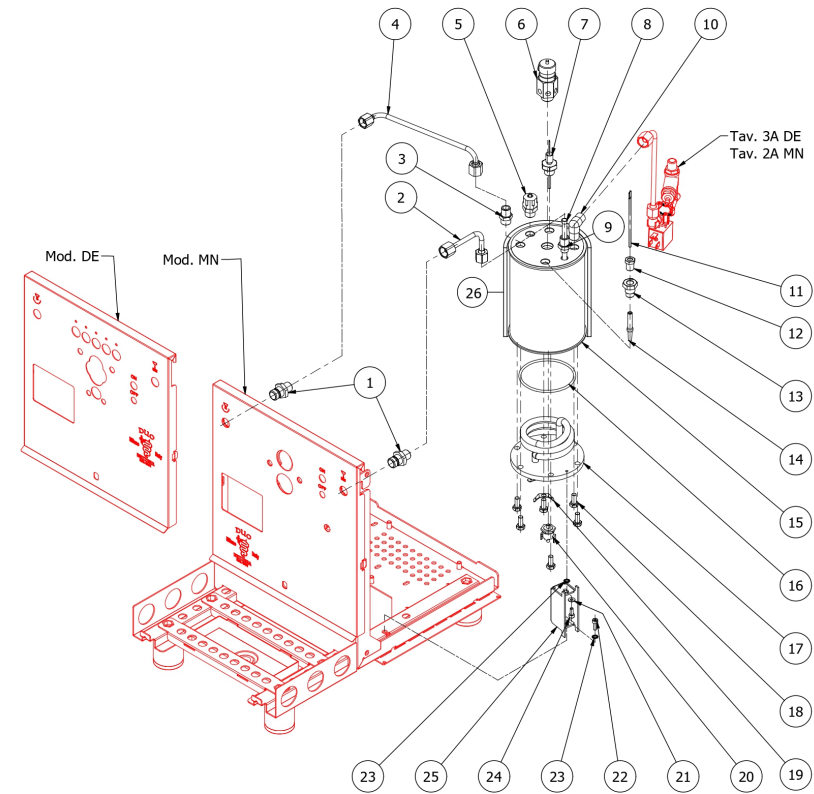


TABLE 8A
MATRIX Mod. MN

POS	CODE	DESCRIPTION
1	7811402	NUT M8 UNI5587 A2
2	7493011	INSULATING
3	5267013	TIE ROD M8X31 ASTM A 193 B8 C/1
4	7479951	CAMS LOCK STUD
5	7479948	CAP D15XM6
6	7479947	WASHER D8
7	7479931	DELIVERY LEVER
8	7372004	WOODEN KNOB
9	7479971	PLUG CHROMED
10	7479970	SPRING
11	7479969	BUSHING
12	7479968	WASHER EP079 15.5X7.5X4
13	7479967	CAM FLANGE
14	7479949	CAM FLANGE ASSY
15	7479935	GASKET TF Ø35X30X2
16	7479950	GROUND CAMS TREE
17	7479946	ASSEMBLY VALVE
18	7479936	DELIVERY VALVE SPRING
19	7479942	SPRING GUIDE BUSHING
20	7479957	LOWER SLEEVE ASSY
21	7479943	ASSEMBLY RELIEF VALVE
22	7479944	DRAIN SPRING
23	7479945	JET-BREAKER BUSHING Ø15X6
24	7479960	GASKET TF D26x21x2
25	7479961	GROUP BOTTOM FITTING
26	5493039	GASKET H8 E61 GROUP
27	5471022	INOX SHOWER FILTER
28	7479941	SPRAYER D.30
29	7479940AL	LEVER BODY GROUP CHROMED OT57
30	7479938	GASKET TF 10X6X1

TABLE 8A
MATRIX Mod. MN

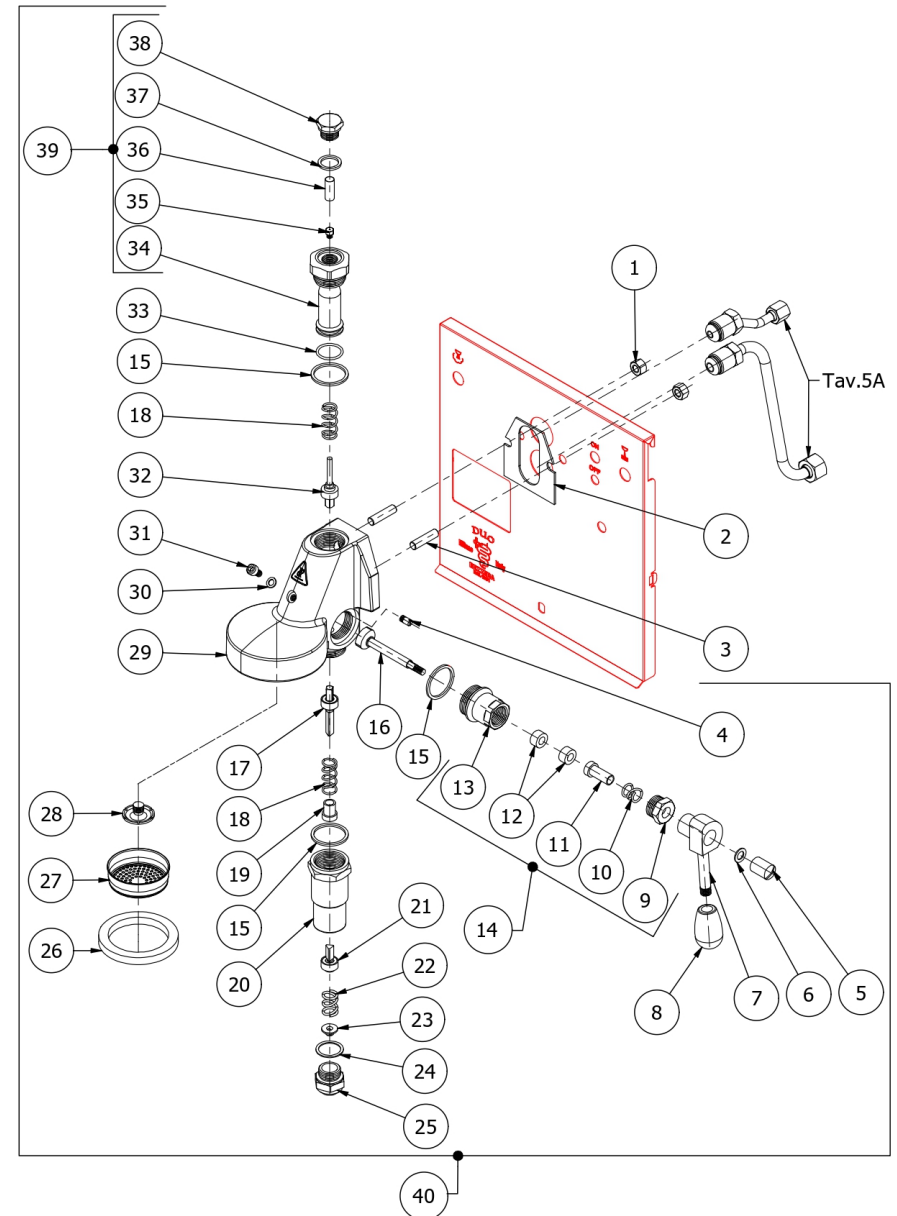


TABLE 8A
MATRIX Mod. MN

POS	CODE	DESCRIPTION
31	7479939	SCREW TCE M6X8
32	7479937	DELIVERY VALVE ASSY
33	7479934	GASKET OR 128 VITON
34	7479956.01	UPPER SLEEVE ASSY
35	7479955.01	INJECTOR CH7X9 M6X0.75 HOLE 0.7
36	7479954	INOX FILTER D.8,5X22
37	7479953	GASKET TF 22X17X2
38	7479952DL	UPPER ASSY PLUG
39	7479933.01	INJECTOR 0,7 UPPER SLEEVE ASSY
40	5963576.01AL	ASSY E61 GROUP OT57 (WOOD)

TABLE 8A
MATRIX Mod. MN

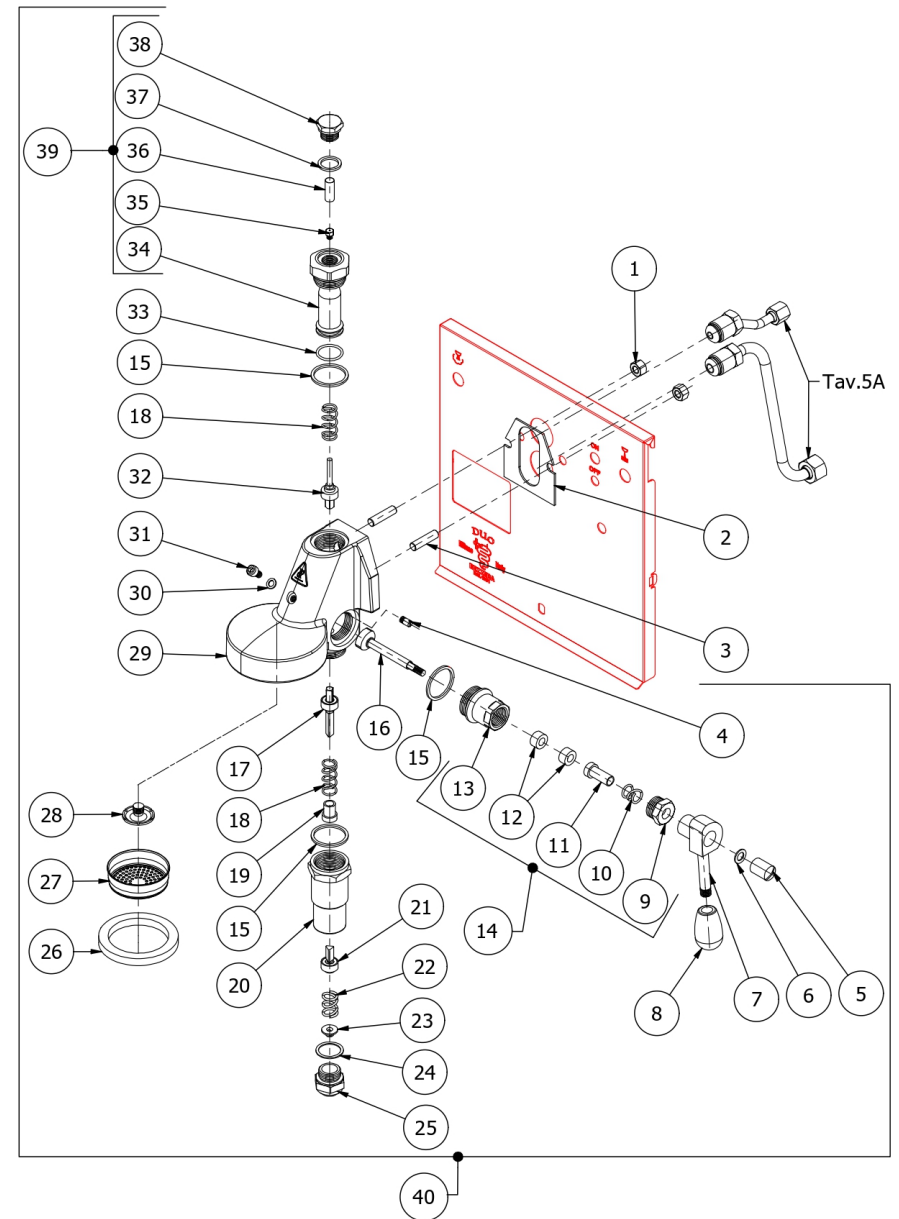


TABLE 9A
MATRIX Mod. DE

POS	CODE	DESCRIPTION
1	7809903	SCREWS POLIERS M5X16 A4 AISI316
2	5470501	SHOWER D57 AISI 304
3	5285501AL	SHOWER-HOLDER D57 H7.5 OT60LF
4	7493022	COUPLING RING RED GASKET BZ GROUP
5	5280502TW-AL	COUPLING RING DENICROMAL
6	7496004.01	GASKET OR 139 VITON FDA
7	5283059.02TW-AL	BZ GROUP BODY
8	7816001	SCREW TCEI M5X12 UNI 5931 A2
9	5963306	ASSY CARTDRIDGE 110V 100W
9	5963182.01	ASSY HEATING ELEMENT CARTRIDGE
10	7304502TR	STRAIGHT FITTING 1/8
11	5963583.01	ASSY GROUP BZ NEW GUAR.OR 110-120V
11	5963575.06	ASSY BZ GROUP W/NEW OR GASKET 220-
12	5221863CM	CAP NUT M8 ES.14 H17 OT CHROMED
13	7493013	GASKET BZ07 GROUP
14	7666013	PROBE RING FOR PID
15	7814001	WASHER D4 DIN 6798A A2
16	7826212	SCREW TCI M4X6 UNI 6107 OT
17	7816015	SCREW TCEI M8X25 UNI 5931 A2
18	5056107LW	RINF.TELAIO DUO/MATRIX DE
19	7663623	WHITE LED 12V
20	5073032LW	BZ16 LED SUPPORT
21	7809811	PLASTIC SCREW TCI M3X16 DIN85
22	7819901	SCREW TBEI M4X12 ISO 7380 A2 INOX
23	7822602	NUT M3 OT
24	5962543	ASSY GROUP LED BZ16

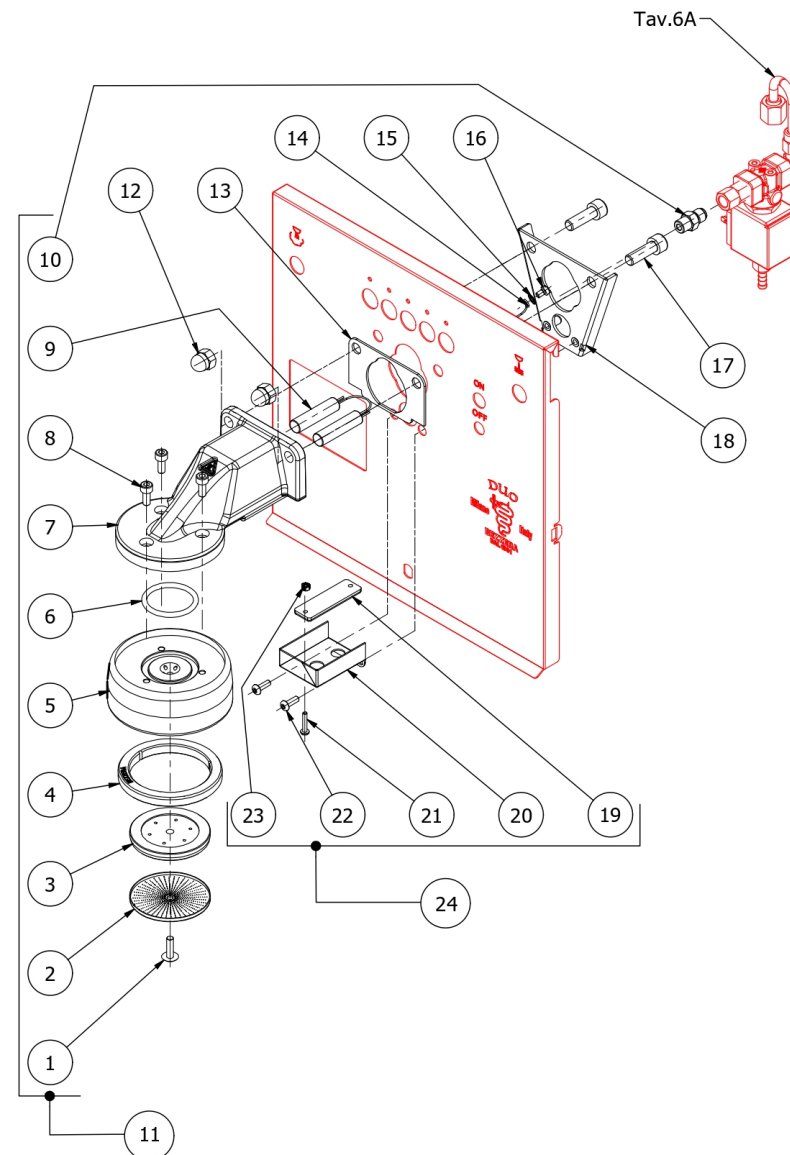
TABLE 9A
MATRIX Mod. DE

TABLE 10
MATRIX Mod. MN/DE

POS	CODE	DESCRIPTION
1	7496052	OR GASKET 114
2	5283055TW	TAP BODY
3	5494004	GASKET D12X5X6 PTFE
4	5496042	GASKET D11X4X4 EPT 70 (C6)
5	5225610	ARTICULATION M8 INOX
6	5222823CM	RING NUT 3/8
7	5221826CM	CAP NUT 3/8
8	5260204DL	SHAFT D12X47 AISI303
9	5471513	SPRING D8 H17 AISI302
10	7372004	KNOB WOOD
10	7371511.01	KNOB (WOOD)
11	5261801	WASHER D11 AISI303
12	5224603TP	GASKET-HOLDER D12X12 OT S/PB-NI
13	7496072	OR GASKET 121
14	5471532	SPRING
15	5190501	BALL CUP D14.3 PTFE/GLASS
16	7496073	GASKET
17	7371004	INSULATING
19	7496095	OR GASKET 6X1.2 EPDM70
20	5471037	ACETALIC FILTER
21	7305019	TERMINAL 2 HOLES
22	5221872TW	NUT
23	5226621DL	FILTER CONICAL SUPPORT
24	5226622DL	RING NUT
25	5493046	GASKET D20.5x15x2
26	7479990.02TW	STEAM HOSE 2 HOLES TERMINAL
27	7479985.02TW	WATER HOSE WELDED INOX
28	5964101	ASSEMBLY STEAM HOSE WOOD
28	5964085.01AL	ASSEMBLY STEAM HOSE PLASTIC

TABLE 10
MATRIX Mod. MN/DE

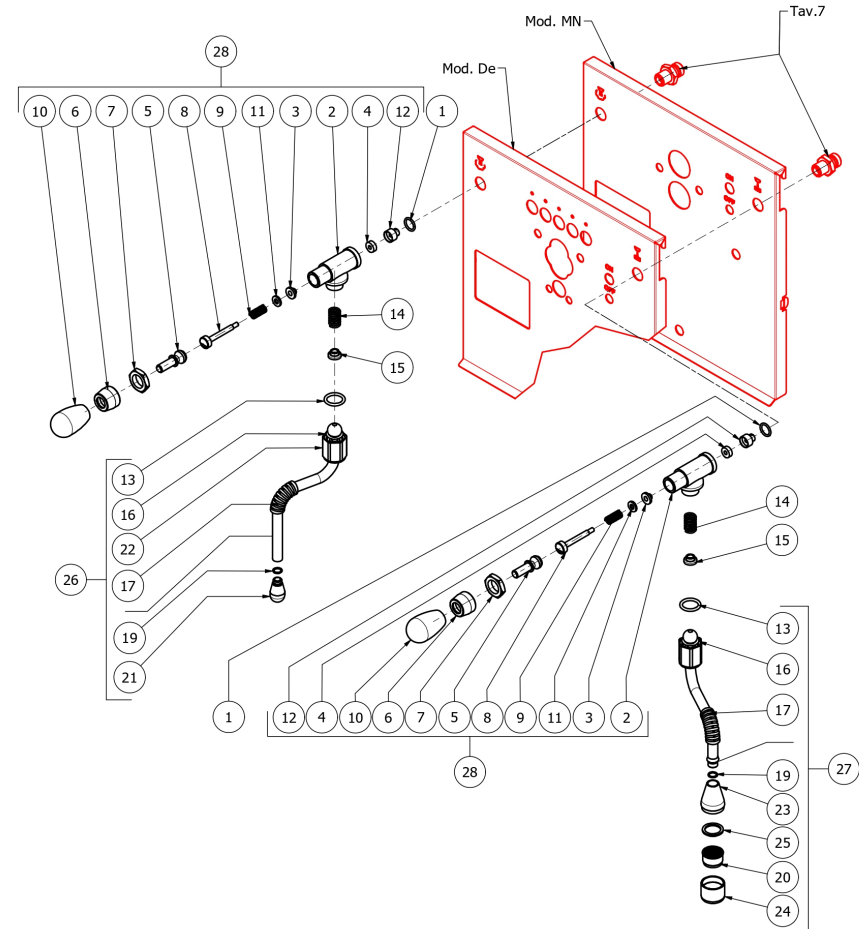


TABLE 10A
MATRIX Mod. MN/DE

POS	CODE	DESCRIPTION
1	7372004	WOODEN KNOB
2	5262801.01	FERRULE 3/8" G H17 STAINLESS STEEL
3	5221826CM	NUT 3/8
4	5225610	ARTICULATED JOINT M8
5	5260204DL	SHAFT D12X47 AISI303 POLISH
6	5471513	SPRING D8 H17 AISI302
7	5261801	WASHER D11
8	5494004	GASKET D12 X 6 PTFE GRAPHITIZED
9	5283055TW	TAP BODY OT FOR OR
10	5496042	GASKET D11X4X4 EPT 70
11	5224603AL	GASKET HOLDER D12X12 OT57USA
12	5964101.01	SEMI-PROFESSIONAL ASSY WOODEN TAP
13	7496052	OR GASKET 114 VITON
14	5494021	NUT GASKET PTFE H=1,5
15	5471532.01	SPRING FOR ARTICULATION
16	5190501	CUP FOR FITTING PTFE/GLASS
17	5494020	GLOBE GASKET 14.3 PTFE
18	5221872.01	LOOSEN NUT 3/8
19	7371004	STEAM PIPE PROTECTION
20	7496095	OR GASKET 6X1.2 EPDM70
21	5266609	STEAM TERMINAL 2 WAYS AISI303
22	7479990.03	STEAM TUBE TERMINAL 2 HOLES SPHERE
23	5966566	WATER TUBE SEMISPHERE 14.3
24	5493003	GASKET D20.5X15 H1.5 NBR 70SH
25	5471037	ACETALIC AIR FILTER
26	7305020TW	WATER TERMINAL
27	5226601TW	WATER HOSE TERMINAL
28	7814201	WASHER 14 DIN6798J A2

TABLE 10A
MATRIX Mod. MN/DE

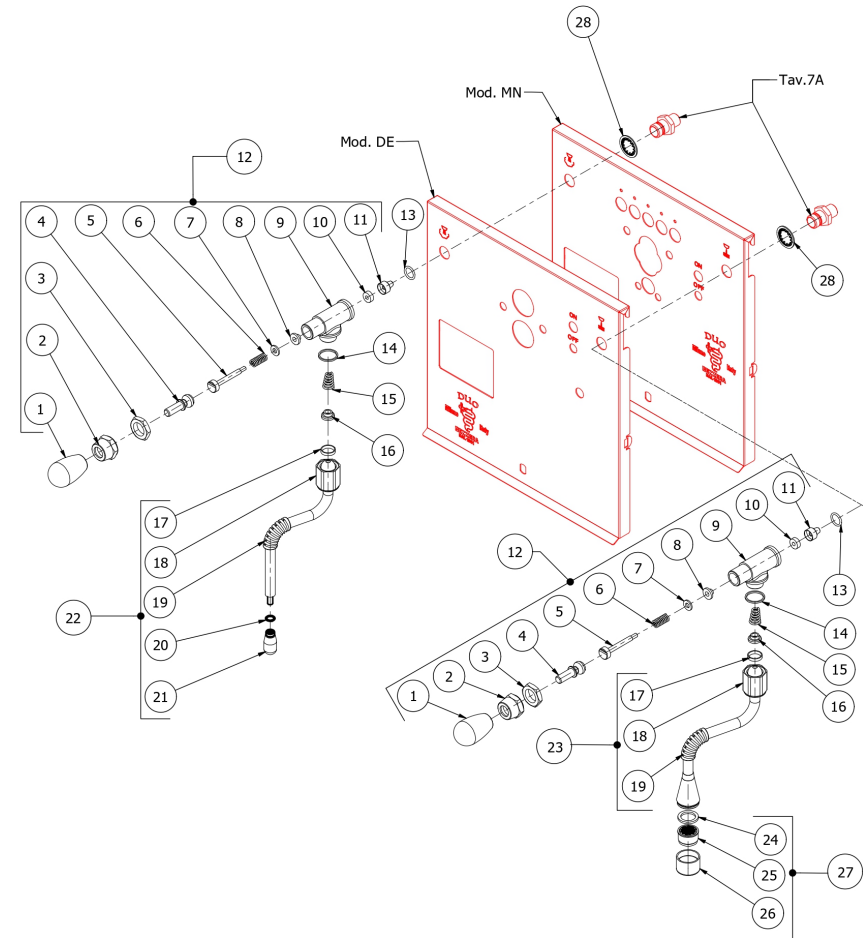


TABLE 11
MATRIX Mod. MN (old frame)

POS	CODE	DESCRIPTION
1	7615002	DOUBLE FASTON 45° HOLE D6.3
2	7812402	SELF-LOCKING NUT M3 INOX
3	5057012	WASHER 4X9X0.7 AISI304 2B
4	5493047.01	GASKET 130X97X3 DISPLAY DUO/MATRIX
5	5493049	GASKET 130X97X1 DISPLAY DUO/MATRIX
6	7816002	SCREW TCEI M4X12
7	5053044	HEATING ELEMENT COVER
8	7826402	SCREW TE M4X16 UNI5739 OT
9	7822603	NUT M4 OT
10	7814001	WASHER D4 DIN 6798A A2
11	7614007	CABLE HOLDER
12	7614006	NUT PG.13.5
13	7372507	PRTOTECTION WITH NICHEL-PLATED NUT
14	7633628	WHITE LAMP 110-230V FM6.3
15	7633906	MICROSWITCH M1DX20M
16	5221875CM	NUT M10x0,75
17	7633326	BIPOLAR SWITCH LEVER
18	7637209	FEEDER 25VA 12V ARCADIA
19	7635424.01	RELAY SSR FOR PID
20	7816203	SCREW TCI M3X5 UNI6107 A2
21	7663007	NOISE FILTER
22	7816017	SCREW TCEI M4X6
23	7818009	TAPPING SCREW TB D2.9X6.5 INOX
24	5058124.01LL	ELECTRICAL PARTS BRACKET DUO/MATRIX
25	7661052R	CONTROL UNIT DUO/MATRIX V2.4
25	7661054R	CONTROL UNIT DUO/MATRIX V2.1
25	7661056R	CONTROL UNIT DUO/MATRIX V1.0 15A
25	7661047R	CONTROL UNIT V.1.2
26	5963350.01R	ASSY DISP DUO/MATRIX V1.1 15A
26	5963202R	ASSY DISPLAY WITHOUT GLASS V1.1

TABLE 11
MATRIX Mod. MN (old frame)

SOFTWARE COMPATIBILITY	
SW DISPLAY	SW CONTROL UNIT
2.2	2.4
2.0	2.1
1.1	1.2
1.1 15A	1.0 15A

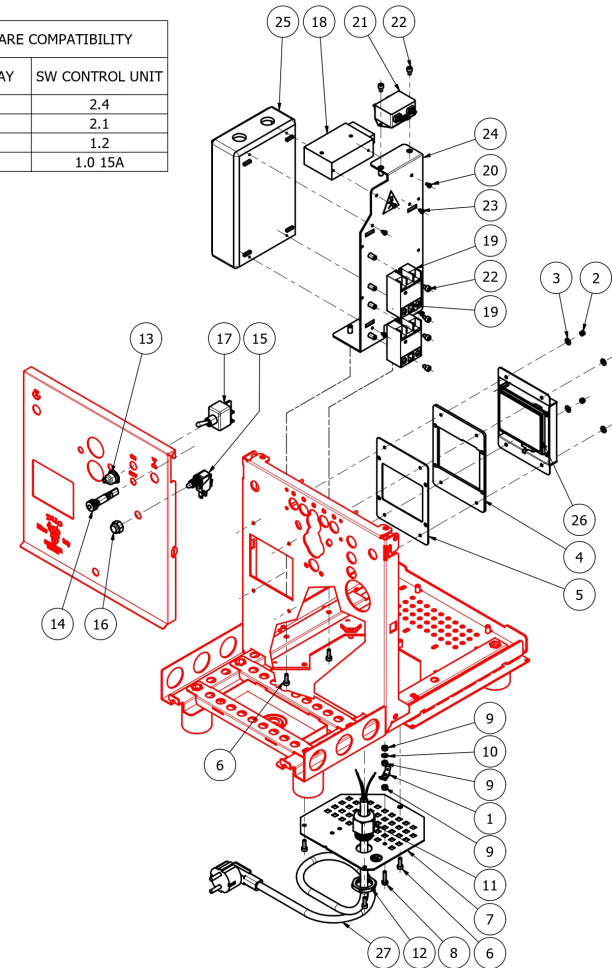


TABLE 11
MATRIX Mod. MN (old frame)

POS	CODE	DESCRIPTION
26	5963201.01R	ASSY DISP. V2.2
26	5963425R	ASSY DISPLAY WITHOUT GLASS DUO/MATRIX V2.0
27	7551003	CABLE WITH USA PLUG 250V 20A
27	7555001	CABLE WITH SCHUKO PLUG
27	7554001	CABLE WITH ENGLISH PLUG
27	7552001	CABLE WITH AUSTRALIAN PLUG
27	7555003	CABLE WITH SWITZERLAND PLUG
27	7551001	CABLE WITH USA PLUG 125V 15A

TABLE 11
MATRIX Mod. MN (old frame)

SOFTWARE COMPATIBILITY	
SW DISPLAY	SW CONTROL UNIT
2.2	2.4
2.0	2.1
1.1	1.2
1.1 15A	1.0 15A

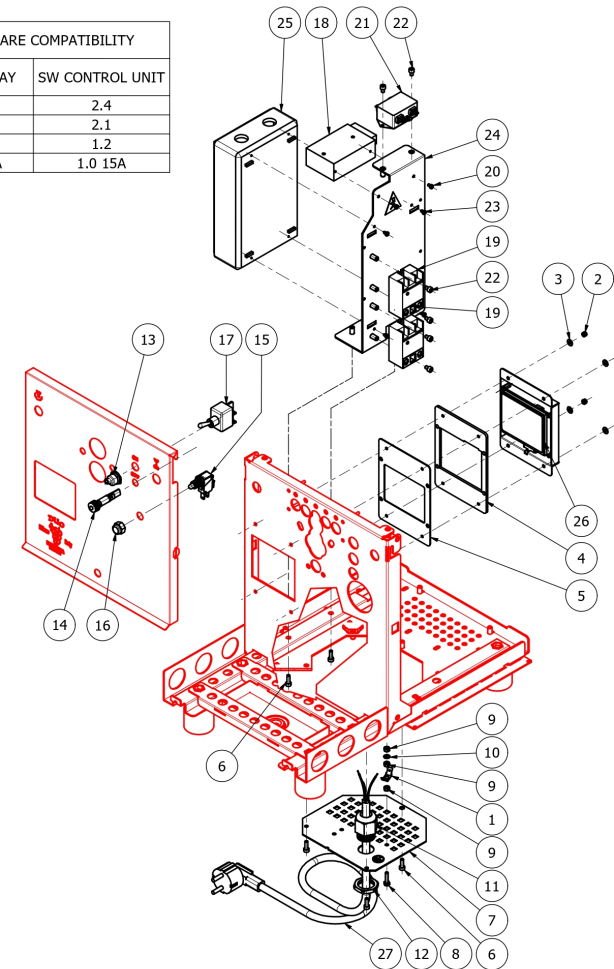


TABLE 11A
MATRIX Mod. MN (new frame)

POS	CODE	DESCRIPTION
1	7633628	WHITE LAMP
2	5221875CM	NUT M10X0,75
3	7372507	PROTECTION WITH NICKEL NUT IU0598
4	7633326	BIPOLAR SWITCH LEVER
5	7633906.01	MICRO SWITCH
6	7661047.06PR	CONTROL UNIT EL.DUO/MATRIX V3.4
7	7637209	FEEDER 25V 12V ARCADIA
8	5058124.01LL	BRACKETS PARTS ELET.DUO / MATRIX W
9	7816203	SCREW TCI M3X5 UNI 6107 A2
10	7818009	SCREW AUTOF.TB D2.9X6.5 INOX
11	7635424.01	RELAIS SSR FOR T.PID
12	7816017	SCREW TCEI M4X6
13	7812705	NUT M3
14	5057012	WASHER 4X9X0.7 AISI304 2B
15	5053062.01LW	COPERT.DISPLAY DUO/MATRIX NEW
16	5963312.01	ASSY DISP. DUO/MATRIX V3.4
17	7822603	NUT M4 OT
18	7814001	WASHER D4 DIN 6798A A2
19	7615002	DOUBLE FASTON 90° HOLE D6.3
20	7826402	SCREW TE M4X16 UNI 5739 OT
21	7551001	ELECTRIC CABLE WITH USA PLUG L=1.5M
21	7555007	ELECTRIC CABLE WITH CHINA PLUG
21	7552001	ELECTRIC CABLE WITH AUSTRALIAN PLUG
21	7554001	ELECTRIC CABLE WITH ENGLISH PLUG
21	7553001	CABLE ISRAELE PLUG H05VV-F 3G1.5M
21	7555001	ELECTRIC CABLE WITH SHUKO PLUG
22	7816002	SCREW TCEI M4X12 UNI 5931 A2
23	7614006	NUT PG13.5
24	5053044	HEATING ELEMENT COVER DUO/MATRIX
25	7614007	FAIRLEAD WITH HOLE RUBBER

TABLE 11A
MATRIX Mod. MN (new frame)

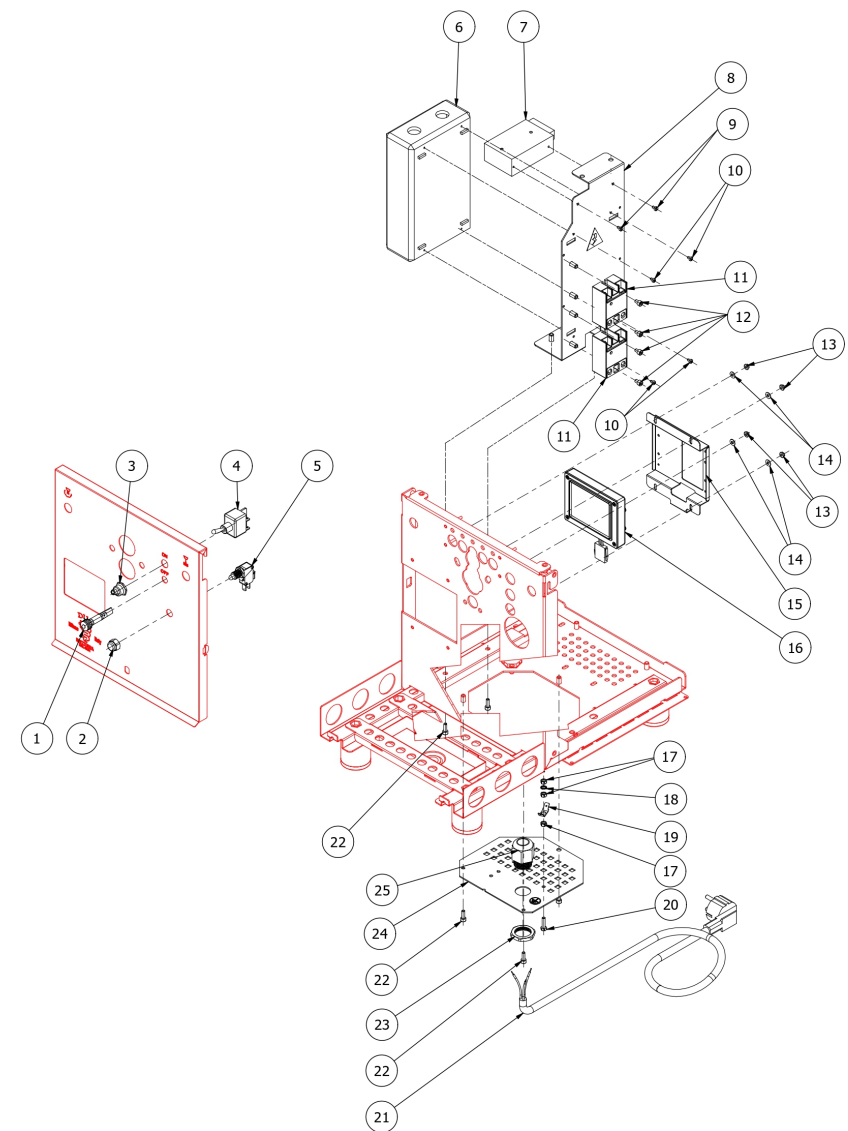


TABLE 12
MATRIX Mod. DE (old frame)

POS	CODE	DESCRIPTION
1	7615002	DOUBLE FASTON 45° HOLE D6.3
2	7812402	SELF-LOCKING NUT M3 INOX
3	5057012	WASHER 4X9X0.7 AISI304 2B
4	5493047.01	GASKET 130X97X3 DISPLAY DUO/MATRIX
5	5493049	GASKET 130X97X1 DISPLAY DUO/MATRIX
6	7816002	SCREW TCEI M4X12
7	5053044	HEATING ELEMENT COVER
8	7826402	SCREW TE M4X16 UNI5739 OT
9	7822603	NUT M4 OT
10	7814001	WASHER D4 DIN 6798A A2
11	7614007	CABLE HOLDER
12	7614006	NUT PG.13.5
13	7372507	PRTOTECTION WITH NICHEL-PLATED NUT
14	7633628	WHITE LAMP 110-230V FM6.3
15	7633326	BIPOLAR SWITCH LEVER
16	7637209	FEEDER 25VA 12V ARCADIA
17	7635424.01	RELAY SSR FOR PID
18	7816203	SCREW TCI M3X5 UNI6107 A2
19	7663007	NOISE FILTER
20	7816017	SCREW TCEI M4X6
21	7818009	TAPPING SCREW TB D2.9X6.5 INOX
22	5058124.01LL	ELECTRICAL PARTS BRACKET DUO/MATRIX
23	7665524.01PR	6 BUTTONS BOARD WITH 6 WHITE LEDS
24	5661505	5 BUTTON PACK BLACK ABS
25	5053024.02LW	PUSH-BOTTON PANEL COVERAGE
26	5191511	SPACER
27	5191514	PLASTIC SPACER L=8 mm
28	7809809	SCREW TCI M3X5 PLASTIC
29	7661047R	CONTROL UNIT V.1.2
29	7661054R	CONTROL UNIT DUO/MATRIX V2.1

TABLE 12
MATRIX Mod. DE (old frame)

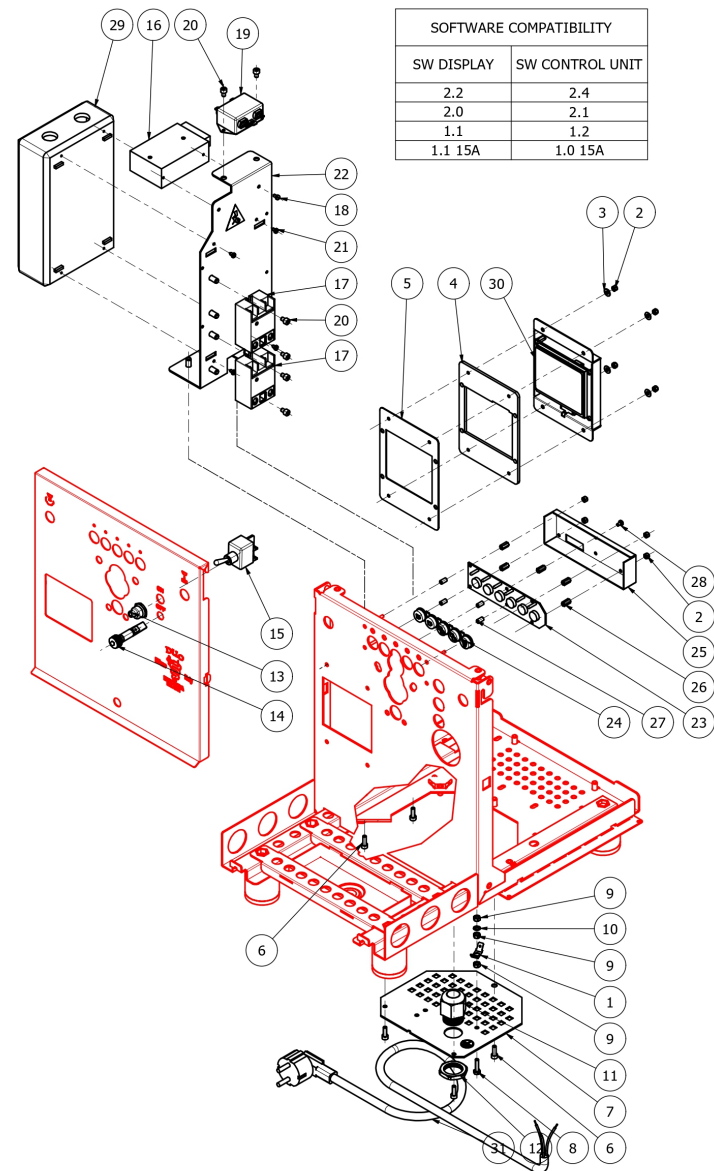
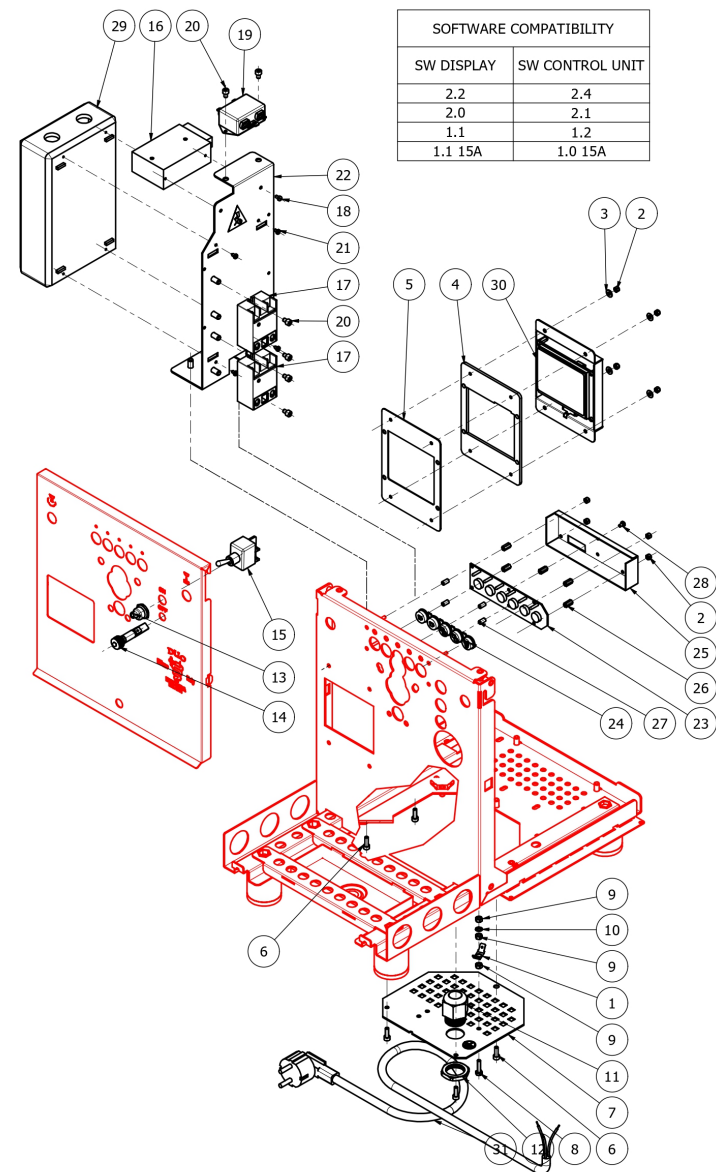


TABLE 12
MATRIX Mod. DE (old frame)

POS	CODE	DESCRIPTION
29	7661053	CONTROL UNIT DUO/MATRIX V1.0 15A
29	7661052R	CONTROL UNIT DUO/MATRIX V2.4
30	5963425R	ASSY DISPLAY WITHOUT GLASS DUO/MATRIX V2.0
30	5963350.01R	ASSY DISP DUO/MATRIX V1.1 15A
30	5963202R	ASSY DISPLAY WITHOUT GLASS V1.1
30	5963201.01R	ASSY DISP. V2.2
31	7551003	CABLE WITH USA PLUG 250V 20A
31	7555001	CABLE WITH SCHUKO PLUG
31	7554001	CABLE WITH ENGLISH PLUG
31	7552001	CABLE WITH AUSTRALIAN PLUG
31	7555003	CABLE WITH SWITZERLAND PLUG
31	7551001	CABLE WITH USA PLUG 125V 15A

TABLE 12
MATRIX Mod. DE (old frame)



BEZZERA

MATRIX

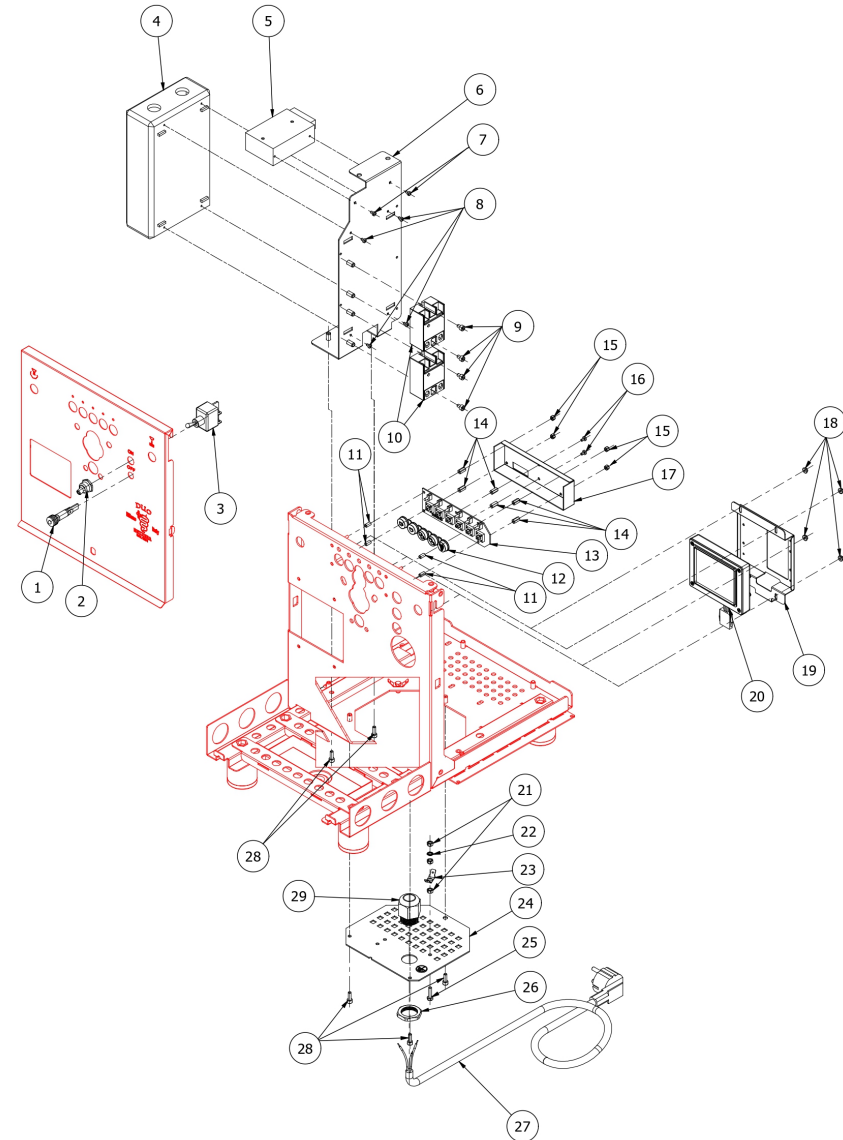
TABLE 12A
MATRIX Mod. DE (new frame)

POS	CODE	DESCRIPTION
1	7633628	WHITE LAMP
2	7372507	7372507
3	7633326	BIPOLAR SWITCH LEVER
4	7661047.06PR	CONTROL UNIT EL.DUO/MATRIX V3.4
5	7637209	FEEDER 25V 12V ARCADIA
6	5058124.01LL	BRACKETS PARTS ELET.DUO / MATRIX W
7	7816203	SCREW TCI M3X5 UNI 6107 A2
8	7818009	SCREW AUTOF.TB D2.9X6.5 INOX
9	7816017	SCREW TCEI M4X6
10	7635424.01	RELAIS SSR FOR T.PID
11	5191514	PLASTIC SPACER L=8 MM
12	5661505.02NY	5 BLACK KEYS SERIES NYLON
13	7665524.02PR	CARD KEYS.6KEYS 6LED WHITE PRESSURE
14	5191511	SPACER
15	7812402	NUT M3 UNI7473 A2 SELF-LOCKING INOX
16	7809809	PLASTIC SCREW TCI M3X5 DIN7985
17	5053024.02LW	BZ16 COVERING KEYBOARD PROELIND
18	7812705	NUT M3
19	5053062.01LW	COPERT.DISPLAY DUO/MATRIX NEW
20	5963312.01	ASSY DISP. DUO/MATRIX V3.4
21	7822603	NUT M4 OT
22	7814001	WASHER D4 DIN 6798A A2
23	7615002	DOUBLE FASTON 90° HOLE D6.3
24	5053044	HEATING ELEMENT COVER DUO/MATRIX
25	7826402	SCREW TE M4X16 UNI 5739 OT
26	7614006	NUT PG13.5
27	7555001	ELECTRIC CABLE WITH SHUKO PLUG
27	7551001	ELECTRIC CABLE WITH USA PLUG L=1.5M
27	7555007	ELECTRIC CABLE WITH CHINA PLUG
27	7552001	ELECTRIC CABLE WITH AUSTRALIAN PLUG

BEZZERA

MATRIX

TABLE 12A
MATRIX Mod. DE (new frame)



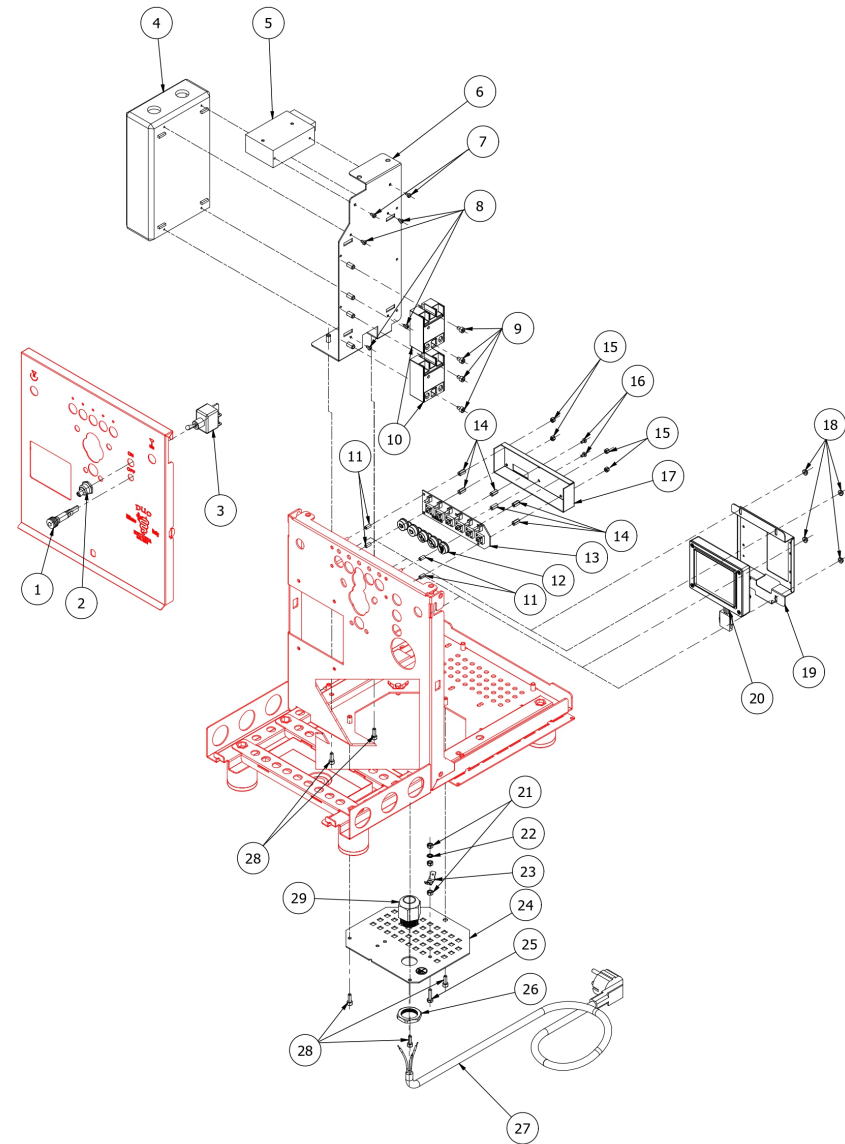
BEZZERA**MATRIX**

TABLE 12A
MATRIX Mod. DE (new frame)

POS	CODE	DESCRIPTION
27	7554001	ELECTRIC CABLE WITH ENGLISH PLUG
27	7553001	CABLE ISRAELE PLUG H05VV-F 3G1.5M
28	7816002	SCREW TCEI M4X12 UNI 5931 A2
29	7614007	FAIRLEAD WITH HOLE RUBBER

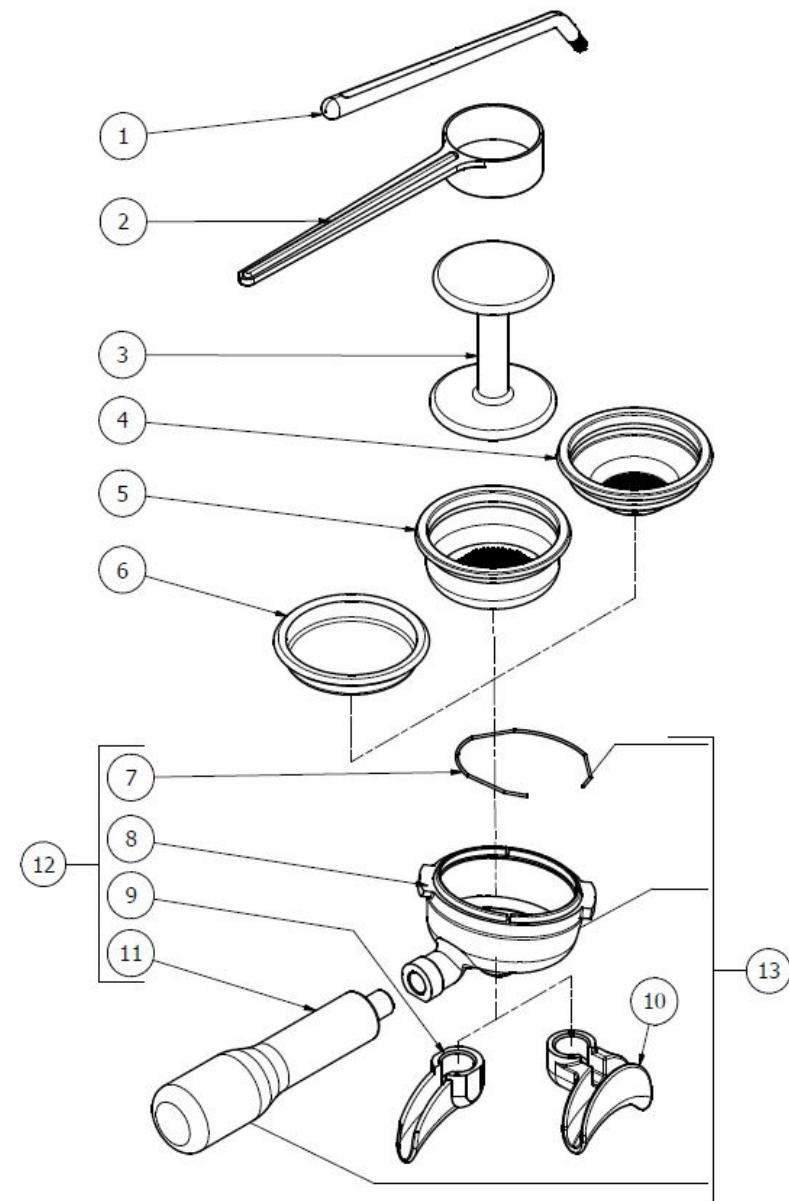
BEZZERA**MATRIX**

TABLE 12A
MATRIX Mod. DE (new frame)



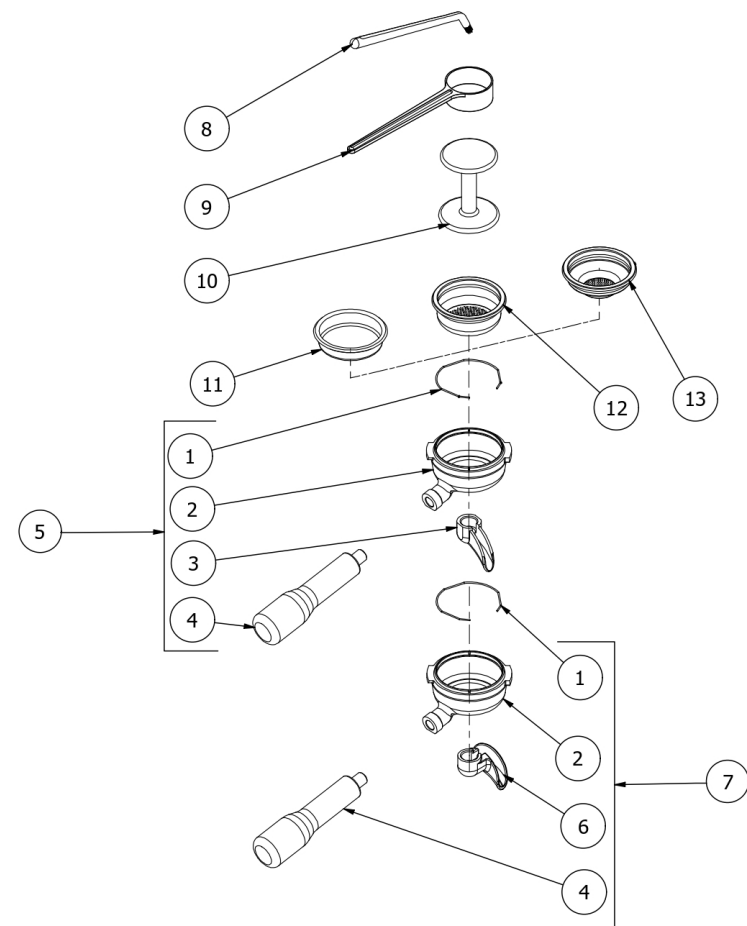
BEZZERA**MATRIX**TABLE 13
MATRIX Mod. DE

POS	CODE	DESCRIPTION
1	7990603	CLEANING BRUSH
2	5372101	BLACK MEASURE
3	5373001	COFFEE-PRESS
4	5471031.01	FILTER 1 CUP 8 GRAMS WITH RUN CHANNEL
5	5471035	FILTER 2 CUPS 16 GRAMS
6	5471003	FILTER AISI 430
7	5471527	SHAPED SPRING
8	5286016TW	FILTER HOLDER
9	7305006TW	SPOUT 1 WAY
10	7305007TW	SPOUT 2 WAY
11	7371520	KNOB (WOOD)
12	5965631R	ASSEMBLY FILTER-HOLDER BZ 1CUP (WOOD)
13	5965628R	ASSEMBLY FILTER-HOLDER BZ 2CUP (WOOD)

BEZZERA**MATRIX**TABLE 13
MATRIX Mod. DE

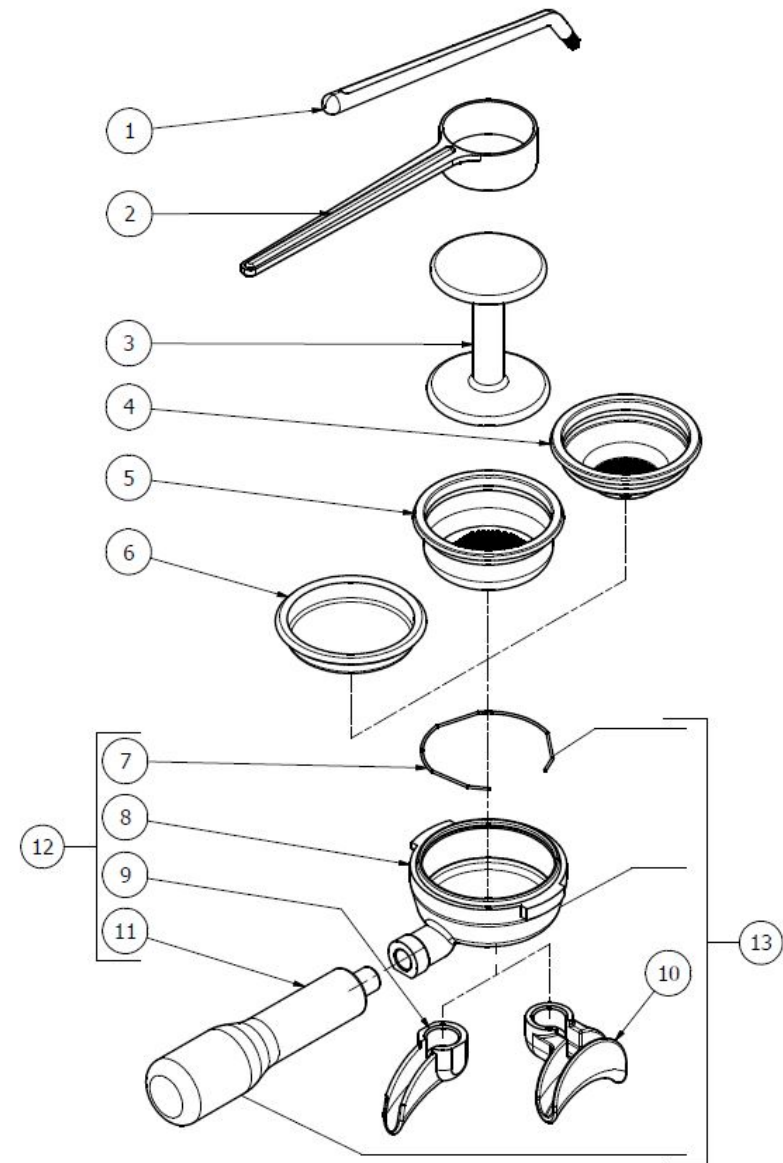
BEZZERA**MATRIX**TABLE 13A
MATRIX Mod. DE

POS	CODE	DESCRIPTION
1	5471527	FILTER-HOLDER SPRING D1.2 AISI 302
2	5286016TW	FILTER-HOLDER TILTED HANDLE BZ
3	7305006TW	SPOUT 1 WAY S/PB+PWP
4	7371520.01	WOODEN FILTER-HOLDER HANDLE
5	5965631.01R	ASSY FILTER-HOLDER BZ 1CUP 80° WOOD
6	7305007TW	SPOUT 2 WAYS WITHOUT PB+PWP
7	5965628.01R	ASSY FILTER-HOLDER BZ 2CUPS WOOD
8	7990603	CLEANING BRUSH FOR COFFEE MACHINE
9	5372101	BLACK MEASURE
10	5373001	COFFEE-PRESS ABS
11	5471038	BLIND FILTER AISI304
12	5471035	FILTER 2 CUPS 20 GRAMS
13	5471031.01	FILTER 1 CUP 10 GRAMS

BEZZERA**MATRIX**TABLE 13A
MATRIX Mod. DE

BEZZERA**MATRIX**TABLE 14
MATRIX Mod. MN

POS	CODE	DESCRIPTION
1	7990603	CLEANING BRUSH
2	5372101	BLACK MEASURE
3	5373001	COFFEE-PRESS
4	5471031.01	FILTER 1 CUP 8 GRAMS WITH RUN CHANNEL
5	5471035	FILTER 2 CUPS 16 GRAMS
6	5471003	FILTER AISI 430
7	5471527	SHAPED SPRING
8	7479972.01TW	FILTER HOLDER
9	7305006TW	SPOUT 1 WAY
10	7305007TW	SPOUT 2 WAY
11	7371520	KNOB (WOOD)
12	5965630R	ASSEMBLY FILTER-HOLDER E61 1CUP (WOOD)
13	5965629R	ASSEMBLY FILTER-HOLDER E61 2CUP (WOOD)

BEZZERA**MATRIX**TABLE 14
MATRIX Mod. MN

BEZZERA

MATRIX

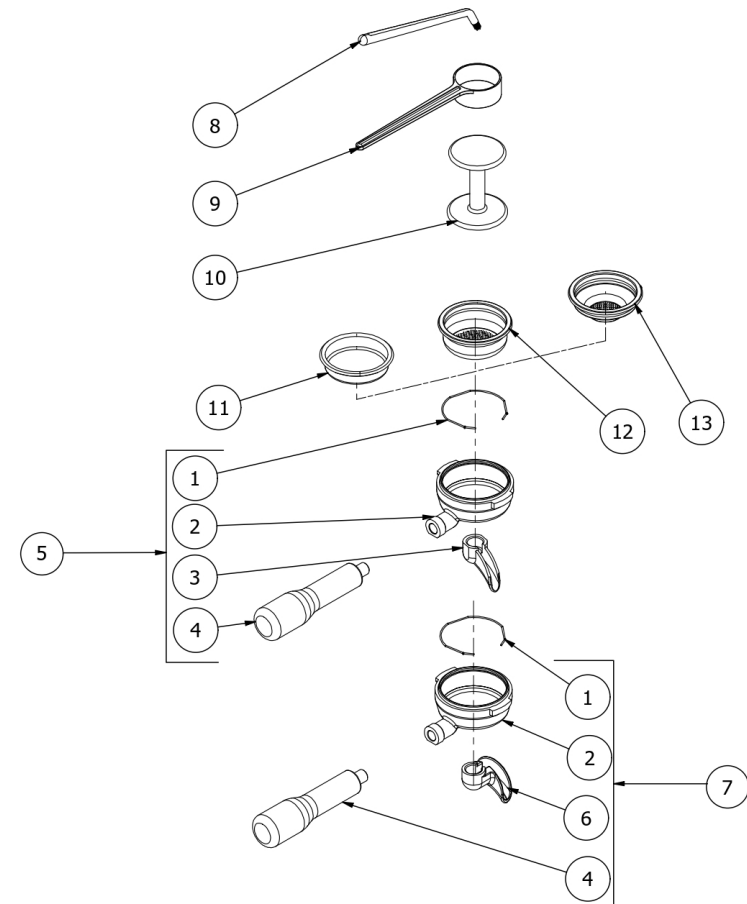
TABLE 14A
MATRIX Mod. MN

POS	CODE	DESCRIPTION
1	5471527	FILTER-HOLDER SPRING D1.2 AISI 302
2	7479972.01TW	RETRO FILTER-HOLDER ONLY HANDLE
3	7305006TW	SPOUT 1 WAY S/PB+PWP
4	7371520.01	WOODEN FILTER-HOLDER HANDLE
5	5965630.01R	ASSY FILTER-HOLDER E61 1CUP 80°
6	7305007TW	SPOUT 2 WAYS WITHOUT PB+PWP
7	5965629.01R	ASSY FILTER-HOLDER E61 2CUPS WOOD
8	7990603	CLEANING BRUSH FOR COFFEE MACHINE
9	5372101	BLACK MEASURE
10	5373001	COFFEE-PRESS ABS
11	5471038	BLIND FILTER AISI304
12	5471035	FILTER 2 CUPS 20 GRAMS
13	5471031.01	FILTER 1 CUP 10 GRAMS

BEZZERA

MATRIX

TABLE 14A
MATRIX Mod. MN





G.BEZZERA S.R.L.
MACCHINE PER CAFFE' ESPRESSO
Via Luigi Bezzera,1
20088 Rosate - Milano - Italy
Tel. +39 02 90848102 r.a.
Web: www.bezzera.com
e-mail: admin@bezzera.it