



LUCE

COD. 9942081

REV. 01 ed.06/26

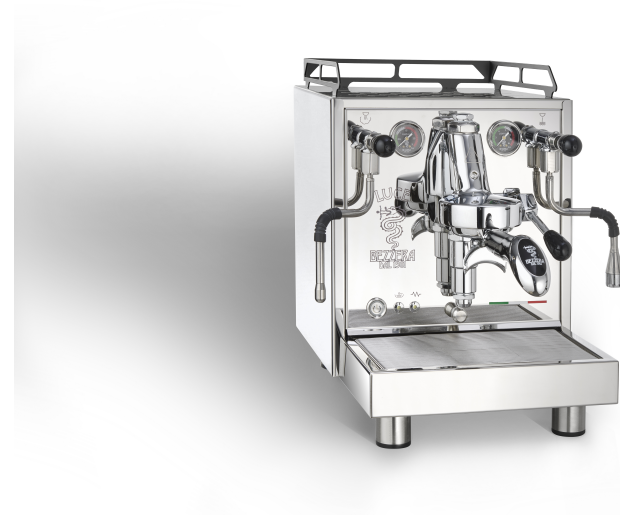


TABLE 1
LUCE

POS	CODE	DESCRIPTION
1	5961857.01	ASSY CUPS-HEATER BLACK FRAME LUCE
2	5056022.01VN	CUPS-HEATER GRID PROFILE BLACK FRAME LUCE
3	5074693.01LW	CUPS-HEATER GRID LUCE
4	5071741LLR	BODY STAINLESS STEEL W/COMPASSES W LOGO LUCE
4	5011727LL-YVR	LUCE MATT GREEN BODY W/COMP. W/LOGO
4	5011727LL-YIR	LUCE MATT WHITE BODY W/COMP. W/LOGO
4	5011727LL-VNR	LUCE MATT BLACK BODY W/COMP. W/LOGO
5	5071741LL	BODY STAINLESS STEEL W/COMPASSES LUCE
5	5011727LL-VN	LUCE MATT BLACK BODY W/COMPASSES
5	5011727LL-YI	LUCE MATT WHITE BODY W/COMPASSES
5	5011727LL-YV	LUCE MATT GREEN BODY W/COMPASSES
6	5522523	BEZZERA LABEL + LOGO BLACK
7	5302029	REDUCTION GEAR 1/4
8	7451506	MINI VALVE MINI BALL 1/4-1/8
9	5492019	GASKET D8 X 2 ASBESTOS FREE
10	5221835	CAP NUT 1/8
11	7809814	SCREW TBEI M4X8
12	7474218	FEET M10 D40X46
13	5225230NC	FITTING 3/8" G NICKEL
14	5492022	GASKET D25 X 17 X 2 ASBESTOS FREE
16	5968124.01	ASSY TRAY DUO/MATRIX W/DISCHARGE
16	5968146.01	ASSY TRAY BLACK DUO/MATRIX
16	5968157.01	ASSY MATT WHITE DRIP TRAY
16	5968158.01	ASSY TRAY GREEN DUO/MATRIX
17	5221826	NUT 3/8
18	5968159.01R	ASSY DRIP TRAY BLACK + ADHESIVE
18	5968160.01R	ASSY DRIP TRAY WHITE + ADHESIVE
18	5968161.01R	ASSY DRIP TRAY GREEN + ADHESIVE
18	5968127.01R	ASSY TRAY DUO / MATRIX + PTFE
19	7823001	DOWEL EI 1/8

TABLE 1
LUCE

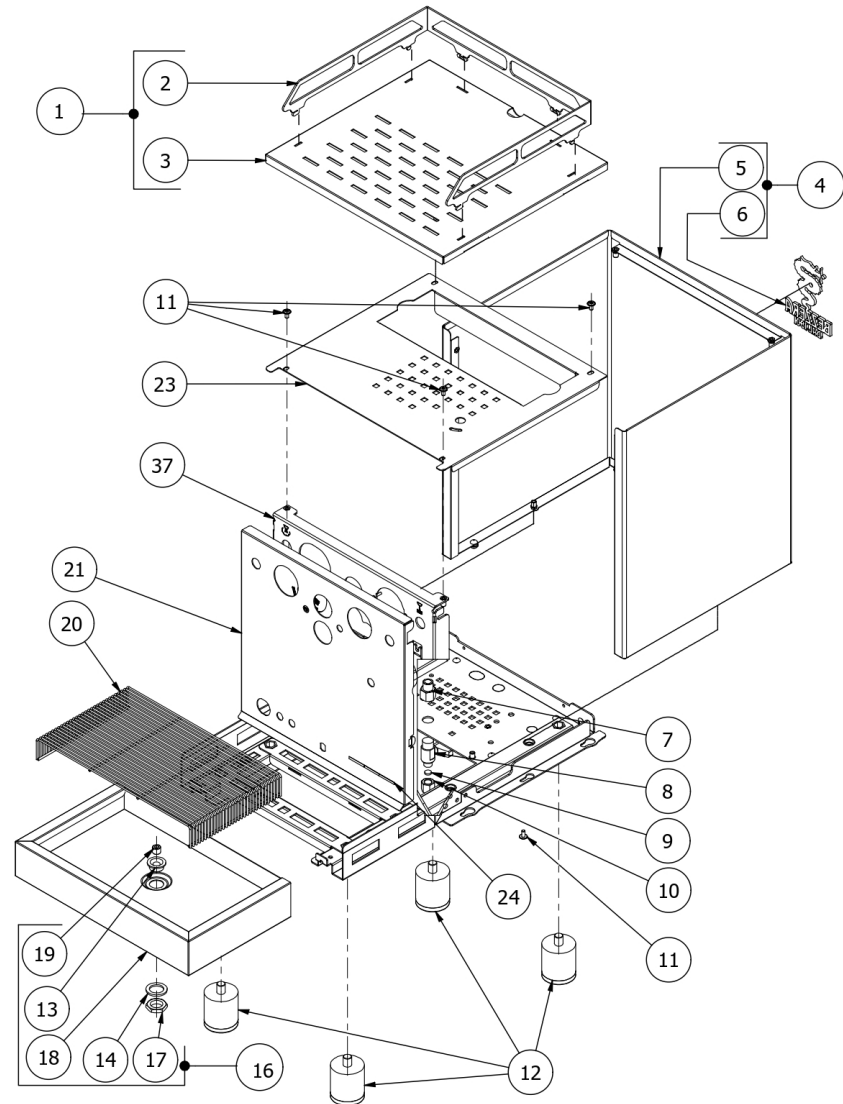
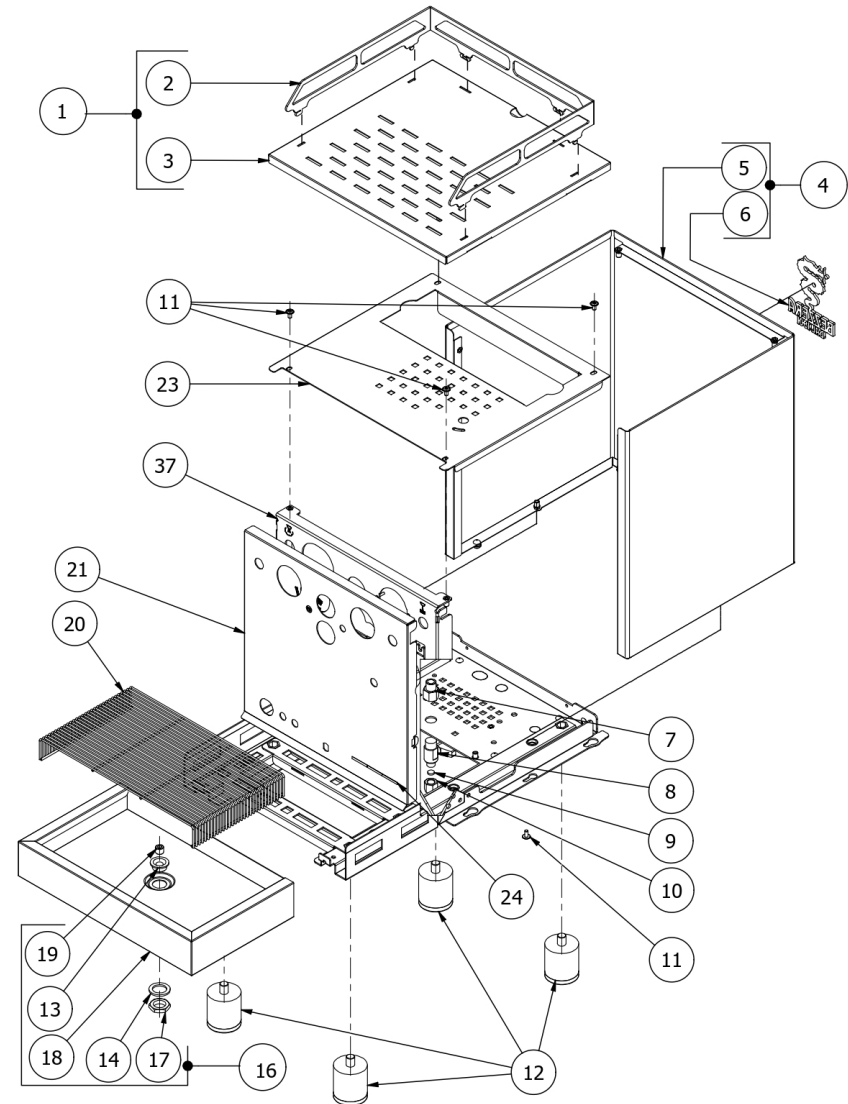


TABLE 1
LUCE

POS	CODE	DESCRIPTION
20	5261013	WIRE DISCHARGE GRID DUO/MATRIX
21	5074934SG	FRONTAL GROUP LUCE
22	5964797.01 R	ASSY TANK FRAME LUCE
23	5056364.01LW	CUPS-HEATER LUCE
24	5521556	ITALY FLAG ADHESIVE 3,5"

TABLE 1
LUCE



BEZZERA

LUCE

TABLE 1A
LUCE PID

POS	CODE	DESCRIPTION
1	5961857.01	ASSY CUPS-HEATER BLACK FRAME LUCE
2	5056022.01VN	CUPS-HEATER GRID PROFILE BLACK FRAME LUCE
3	5074693.01LW	CUPS-HEATER GRID LUCE
4	5011727LL-YVR	LUCE MATT GREEN BODY W/COMP. W/LOGO
4	5011727LL-YIR	LUCE MATT WHITE BODY W/COMP. W/LOGO
4	5011727LL-VNR	LUCE MATT BLACK BODY W/COMP. W/LOGO
4	5071741LLR	BODY STAINLESS STEEL W/COMPASSES W LOGO LUCE
5	5071741LL	BODY STAINLESS STEEL W/COMPASSES LUCE
5	5011727LL-VN	LUCE MATT BLACK BODY W/COMPASSES
5	5011727LL-YI	LUCE MATT WHITE BODY W/COMPASSES
5	5011727LL-YV	LUCE MATT GREEN BODY W/COMPASSES
6	5522523	BEZZERA LABEL + LOGO BLACK
7	5302029	REDUCTION GEAR 1/4
8	7451506	MINI VALVE MINI BALL 1/4-1/8
9	5492019	GASKET D8 X 2 ASBESTOS FREE
10	5221835	CAP NUT 1/8
11	7809814	SCREW TBEI M4X8
12	7474218	FEET M10 D40X46
13	5225230NC	FITTING 3/8" G NICKEL
14	5492022	GASKET D25 X 17 X 2 ASBESTOS FREE
16	5968124.01	ASSY TRAY DUO/MATRIX W/DISCHARGE
16	5968146.01	ASSY TRAY BLACK DUO/MATRIX
16	5968157.01	ASSY MATT WHITE DRIP TRAY
16	5968158.01	ASSY TRAY GREEN DUO/MATRIX
17	5221826	NUT 3/8
18	5968159.01R	ASSY DRIP TRAY BLACK + ADHESIVE
18	5968160.01R	ASSY DRIP TRAY WHITE + ADHESIVE
18	5968161.01R	ASSY DRIP TRAY GREEN + ADHESIVE
18	5968127.01R	ASSY TRAY DUO / MATRIX + PTFE
19	7823001	DOWEL EI 1/8

BEZZERA

LUCE

TABLE 1A
LUCE PID

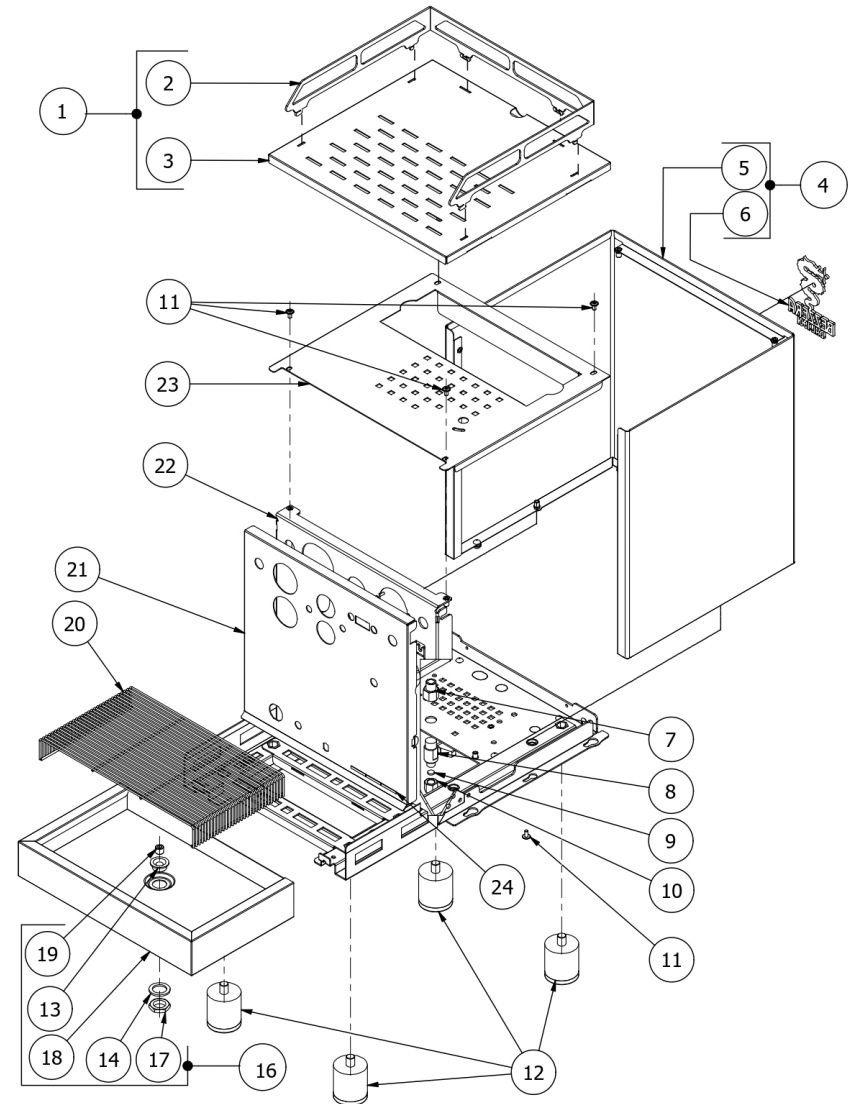


TABLE 1A
LUCE PID

POS	CODE	DESCRIPTION
20	5261013	WIRE DISCHARGE GRID DUO/MATRIX
21	5074933SG1	FRONTAL GROUP LUCE PID
22	5964797.01R	ASSY TANK FRAME LUCE
23	5056364.01LW	CUPS-HEATER LUCE
24	5521556	ITALY FLAG ADHESIVE 3,5"

TABLE 1A
LUCE PID

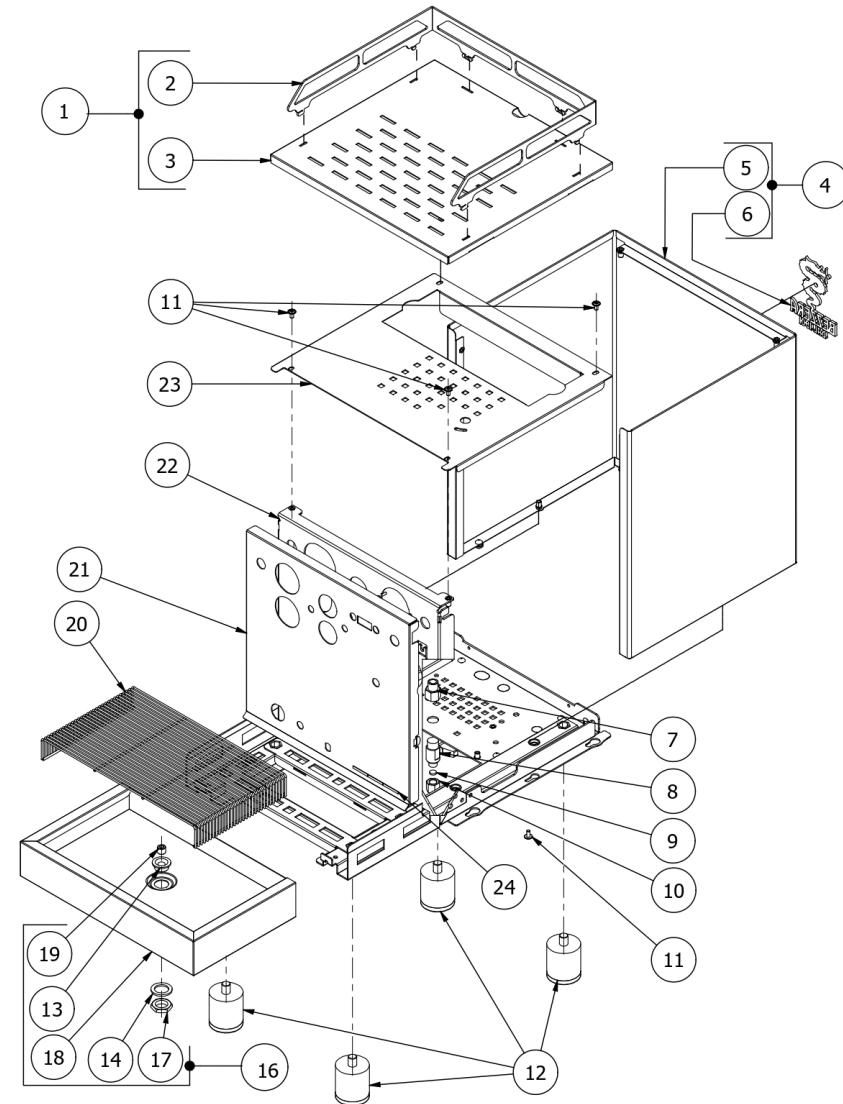


TABLE 1B
LUCE PID FAST HEATING

POS	CODE	DESCRIPTION
1	5961857.01	ASSY CUPS-HEATER BLACK FRAME LUCE
2	5056022.01VN	CUPS-HEATER GRID PROFILE BLACK FRAME LUCE
3	5074693.01LW	CUPS-HEATER GRID LUCE
4	5011727LL-YVR	LUCE MATT GREEN BODY W/COMP. W/LOGO
4	5011727LL-YIR	LUCE MATT WHITE BODY W/COMP. W/LOGO
4	5011727LL-VNR	LUCE MATT BLACK BODY W/COMP. W/LOGO
4	5071741LLR	BODY STAINLESS STEEL W/COMPASSES W LOGO LUCE
5	5011727LL-VN	LUCE MATT BLACK BODY W/COMPASSES
5	5011727LL-YI	LUCE MATT WHITE BODY W/COMPASSES
5	5011727LL-YV	LUCE MATT GREEN BODY W/COMPASSES
5	5071741LL	BODY STAINLESS STEEL W/COMPASSES LUCE
6	5522523	BEZZERA LABEL + LOGO BLACK
7	5302029	REDUCTION GEAR 1/4
8	7451506	MINI VALVE MINI BALL 1/4-1/8
9	5492019	GASKET D8 X 2 ASBESTOS FREE
10	5221835	CAP NUT 1/8
11	7809814	SCREW TBEI M4X8
12	7474218	FEET M10 D40X46
13	5225230NC	FITTING 3/8" G NICKEL
14	5492022	GASKET D25 X 17 X 2 ASBESTOS FREE
16	5968124	ASSY TRAY DUO/MATRIX W/DISCHARGE
16	5968146	ASSY TRAY BLACK DUO/MATRIX
16	5968157	ASSY MATT WHITE DRIP TRAY
16	5968158	ASSY TRAY GREEN DUO/MATRIX
17	5221826	NUT 3/8
18	5968127R	ASSY TRAY DUO / MATRIX + PTFE
18	5968159R	ASSY DRIP TRAY BLACK + ADHESIVE
18	5968160R	ASSY DRIP TRAY WHITE + ADHESIVE
18	5968161R	ASSY DRIP TRAY GREEN + ADHESIVE
19	7823001	DOWEL EI 1/8

TABLE 1B
LUCE PID FAST HEATING

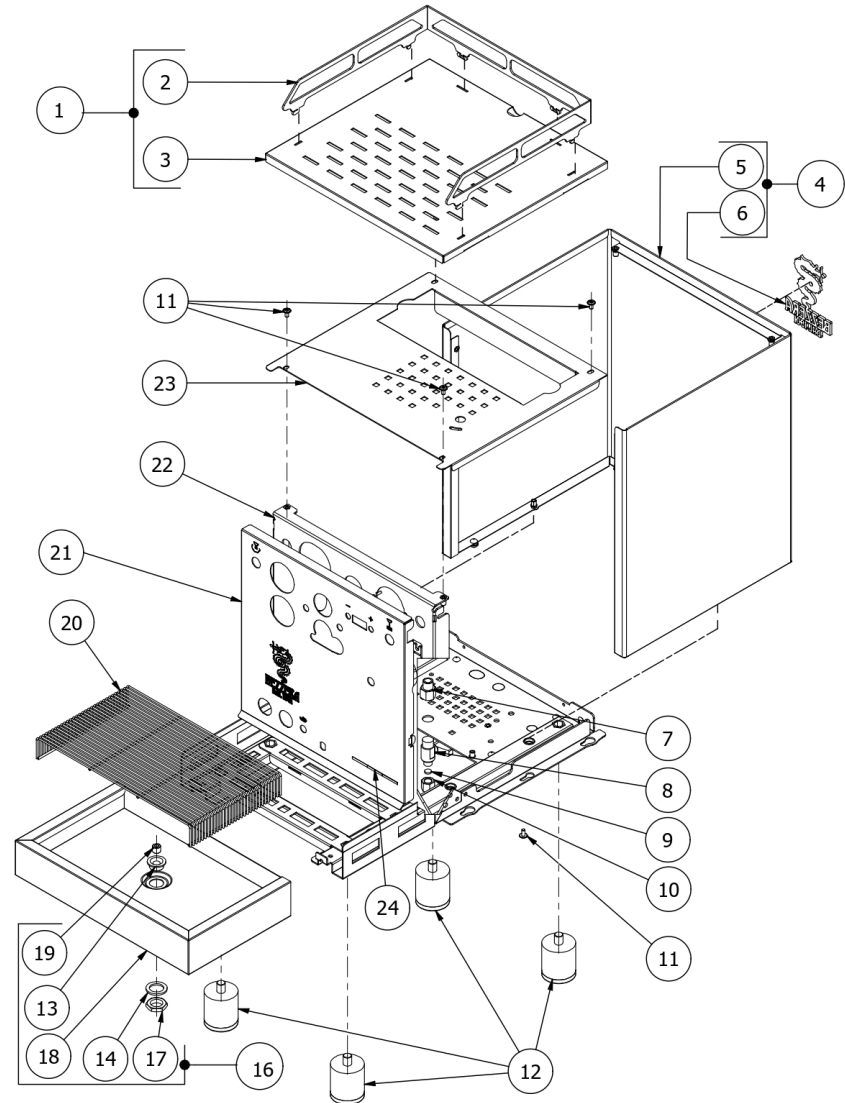


TABLE 1B
LUCE PID FAST HEATING

POS	CODE	DESCRIPTION
20	5261013	WIRE DISCHARGE GRID DUO/MATRIX
21	5074947SG	FRONTALGROUP LUCE PID FAST HEATING
22	5964797.02R	LUCE ASSY FRAME TANK FAST HEATING
23	5056364.01LW	CUPS-HEATER LUCE
24	5521556	ITALY FLAG ADHESIVE 3,5"

TABLE 1B
LUCE PID FAST HEATING

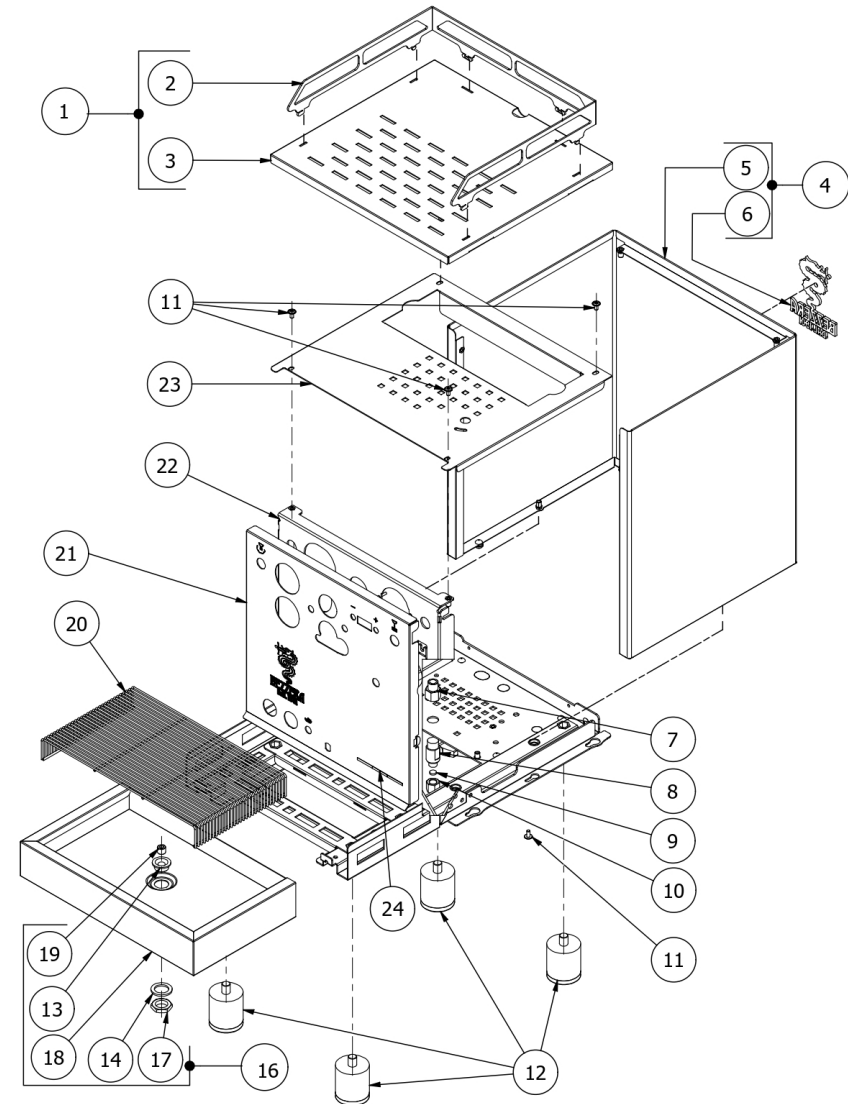


TABLE 2
LUCE

POS	CODE	DESCRIPTION
1	7374002	FILTER 1/4
2	7496076	GASKET OR 112 EP856 80SH
3	5963345	ASSY TANK W/FITTING
4	5058463.04LL	TANK SUPPORT W/COMPASSES
5	7812402	NUT M3 UNI7473 A2 SELF-LOCKING INOX
6	7666011	TANK SENSOR
7	5191510	SPACER
8	7474212	ADHESIVE FEET
10	5375304	PLASTIC NUT
11	5375300	PIPE FOR TANK W/RUBBER-HOLDER
12	7611512	CLAMP
13	7611516	CLAMP 10086
14	5194529	PIPE L=150MM
15	7303039	FITTING
16	5194715	PIPE L=300MM
17	7432523.02	PRESSURE GAUGE D40 16BAR TRICOLOUR
18	7815003	PLAIN WASHER D5 UNI 6592 A2
19	7816004	SCREW TCEI M4X16 A2
20	5162572.01LL	L/A-SURPRESSION VALVE PIPE
21	5162573.01LL	VALVE-EXCHANGER SHAPED PIPE
22	5162567LL	LOAD PIPE
23	7304544TR	FITTING 1/8"G
24	7303063TR	ELBOW FITTING BODY 1/8"
25	5194596.01LL	ASSY PTFE PIPE 4X110
26	7702415.01	EV.2 WAY 240V 25BAR SMALL COIL
26	7702322.01	EV.2WAY OLAB 220/230V 25BAR SMALL
26	7701123.01	EV.2 WAY 110V 25BAR SMALL COIL
27	5301504AL	ELBOW FITTING M12X1/8
29	7634816	THERMIC SAFETY DEV.AUT.PUMP 100°
30	7731027.01	VIBRATION PUMP PLUS 240V 50HZ OT57

TABLE 2
LUCE

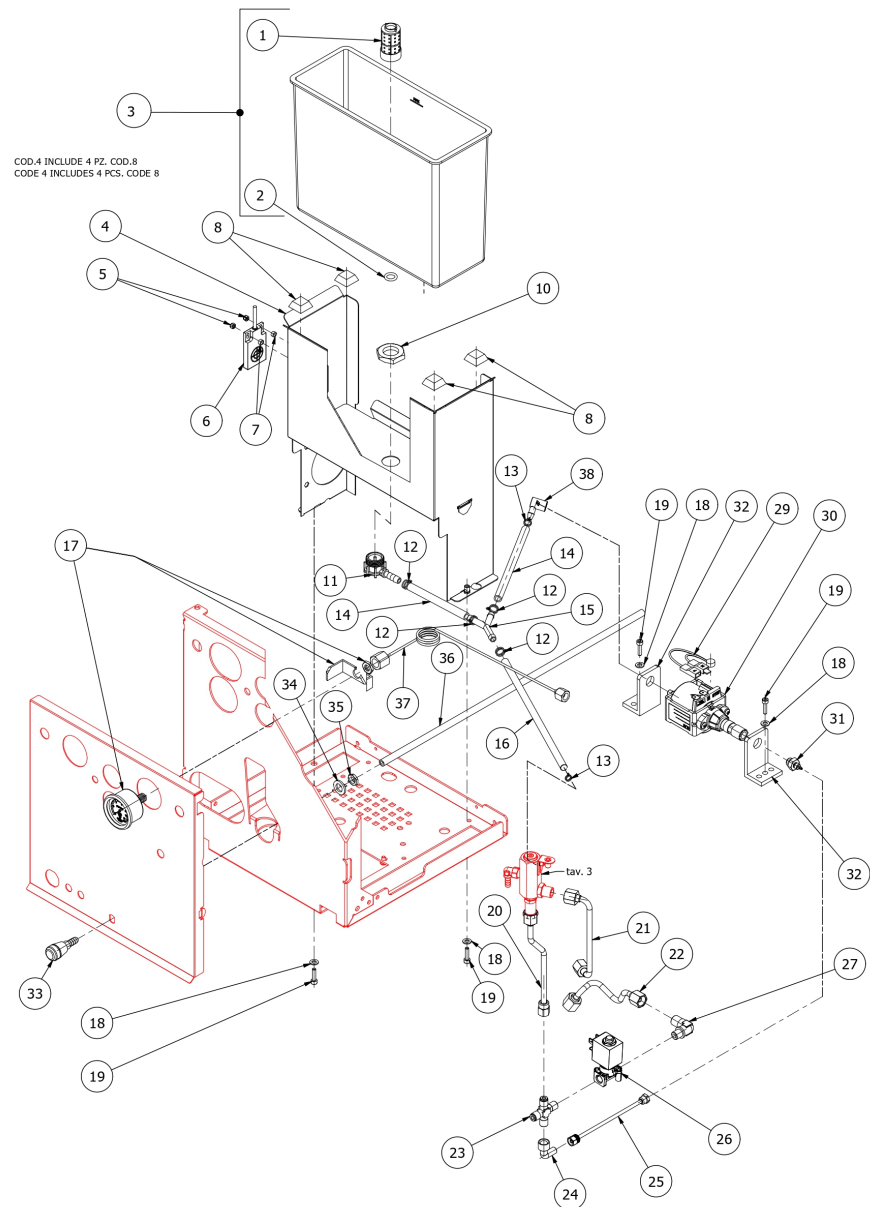


TABLE 2
LUCE

POS	CODE	DESCRIPTION
30	7731024.01	VIBRATION PUMP PLUS 120V 60HZ OT57
30	7731023.01	VIBRATION PUMP OL PLUS 230V 50HZ OT
31	7303057	STRAIGHT FITTING BODY M1/8
32	7470602	VIBRATION-DAMPING
33	5283062	CONICAL DISCHARGE FITTING
34	7815001	WASHER D10 UNI 6592 A2
35	5221844	NUT 1/8
36	5194709	SILICON PIPE
37	7400910	BOILER CAPILLARY PID VERSION
38	7303006	RUBBER-HOLDER FITTING

TABLE 2
LUCE

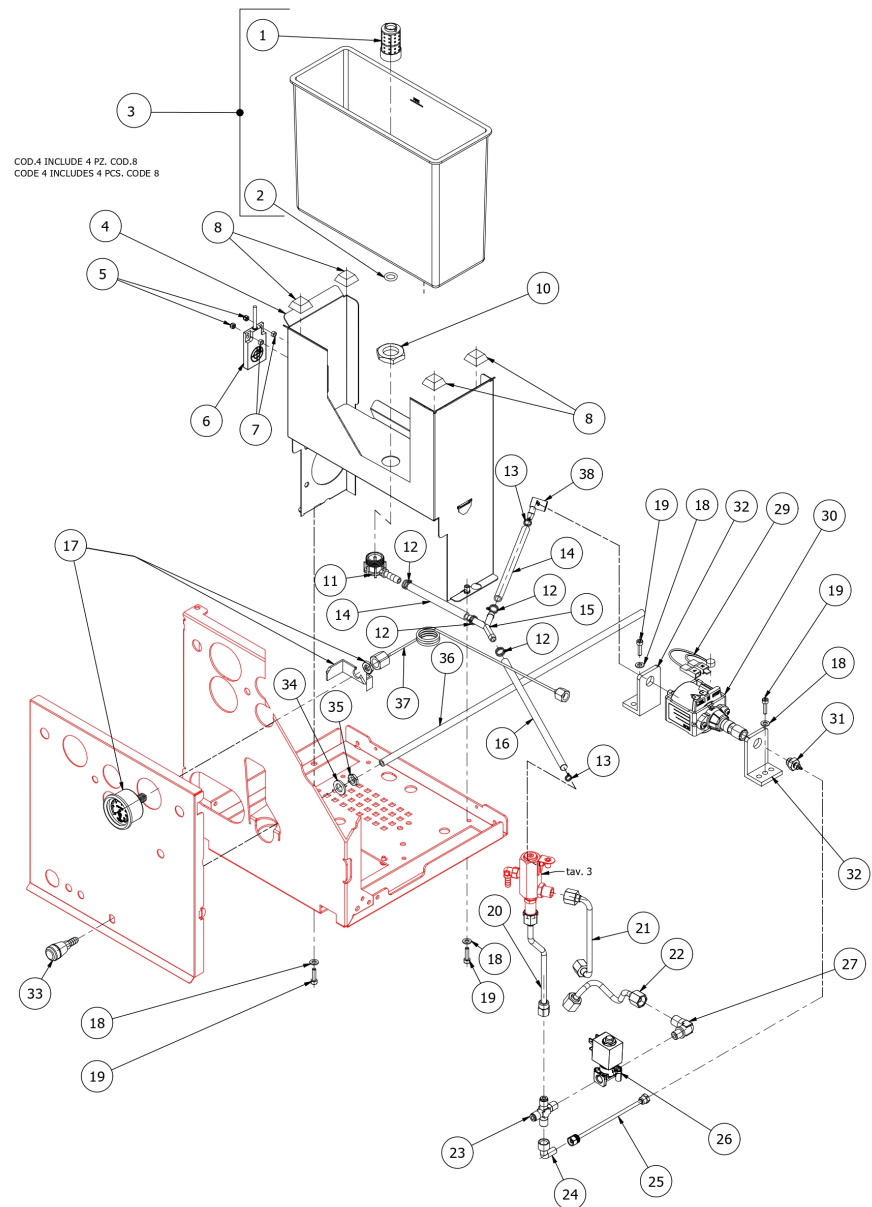


TABLE 2A
LUCE PID

POS	CODE	DESCRIPTION
1	7374002	FILTER 1/4
2	7496076	GASKET OR 112 EP856 80SH
3	5963345	ASSY TANK W/FITTING
4	5058463.04LL	TANK SUPPORT W/COMPASSES
5	7812402	NUT M3 UNI7473 A2 SELF-LOCKING INOX
6	7666011	TANK SENSOR
7	5191510	SPACER
8	7474212	ADHESIVE FEET
10	5375304	PLASTIC NUT
11	5375300	PIPE FOR TANK W/RUBBER-HOLDER
12	7611512	CLAMP
13	7611516	CLAMP 10086
14	5194529	PIPE L=150MM
15	7303039	FITTING
16	5194715	PIPE L=300MM
17	7432523.02	PRESSURE GAUGE D40 16BAR TRICOLOUR
18	7815003	PLAIN WASHER D5 UNI 6592 A2
19	7816004	SCREW TCEI M4X16 A2
20	5162572.01LL	L/A-SURPRESSION VALVE PIPE
21	5162573.01LL	VALVE-EXCHANGER SHAPED PIPE
22	5162567LL	LOAD PIPE
23	7304544TR	FITTING 1/8"G
24	7303063TR	ELBOW FITTING BODY 1/8"
25	5194596.01LL	ASSY PTFE PIPE 4X110
26	7702415.01	EV.2 WAY 240V 25BAR SMALL COIL
26	7702322.01	EV.2WAY OLAB 220/230V 25BAR SMALL
26	7701123.01	EV.2 WAY 110V 25BAR SMALL COIL
27	5301504AL	ELBOW FITTING M12X1/8
29	7634816	THERMIC SAFETY DEV.AUT.PUMP 100°
30	7731023.01	VIBRATION PUMP OL PLUS 230V 50HZ OT

TABLE 2A
LUCE PID

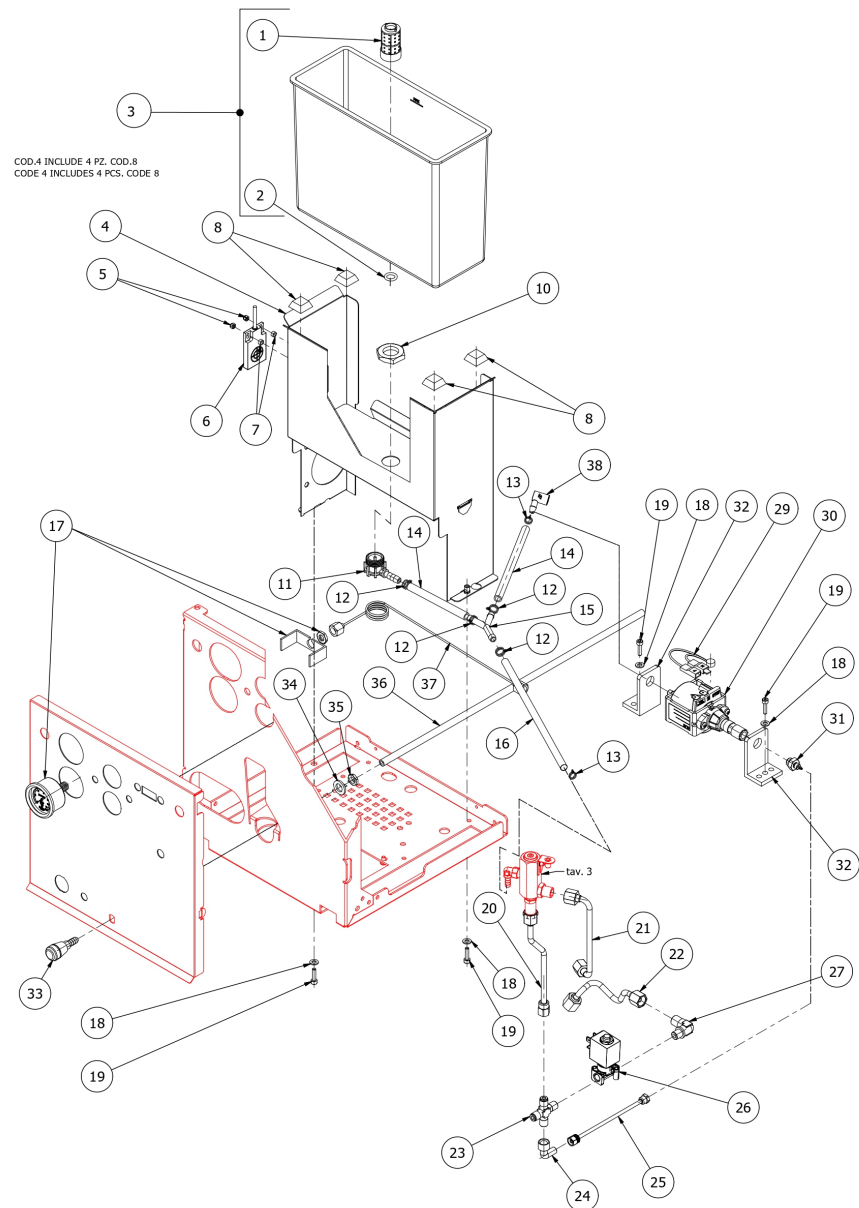


TABLE 2A
LUCE PID

POS	CODE	DESCRIPTION
30	7731027.01	VIBRATION PUMP PLUS 240V 50HZ OT57
30	7731024.01	VIBRATION PUMP PLUS 120V 60HZ OT57
31	7303057	STRAIGHT FITTING BODY M1/8
32	7470602	VIBRATION-DAMPING
33	5283062	CONICAL DISCHARGE FITTING
34	7815001	WASHER D10 UNI 6592 A2
35	5221844	NUT 1/8
36	5194709	SILICON PIPE
37	7400909	PUMP CAPILLARY
38	7303006	RUBBER-HOLDER FITTING

TABLE 2A
LUCE PID

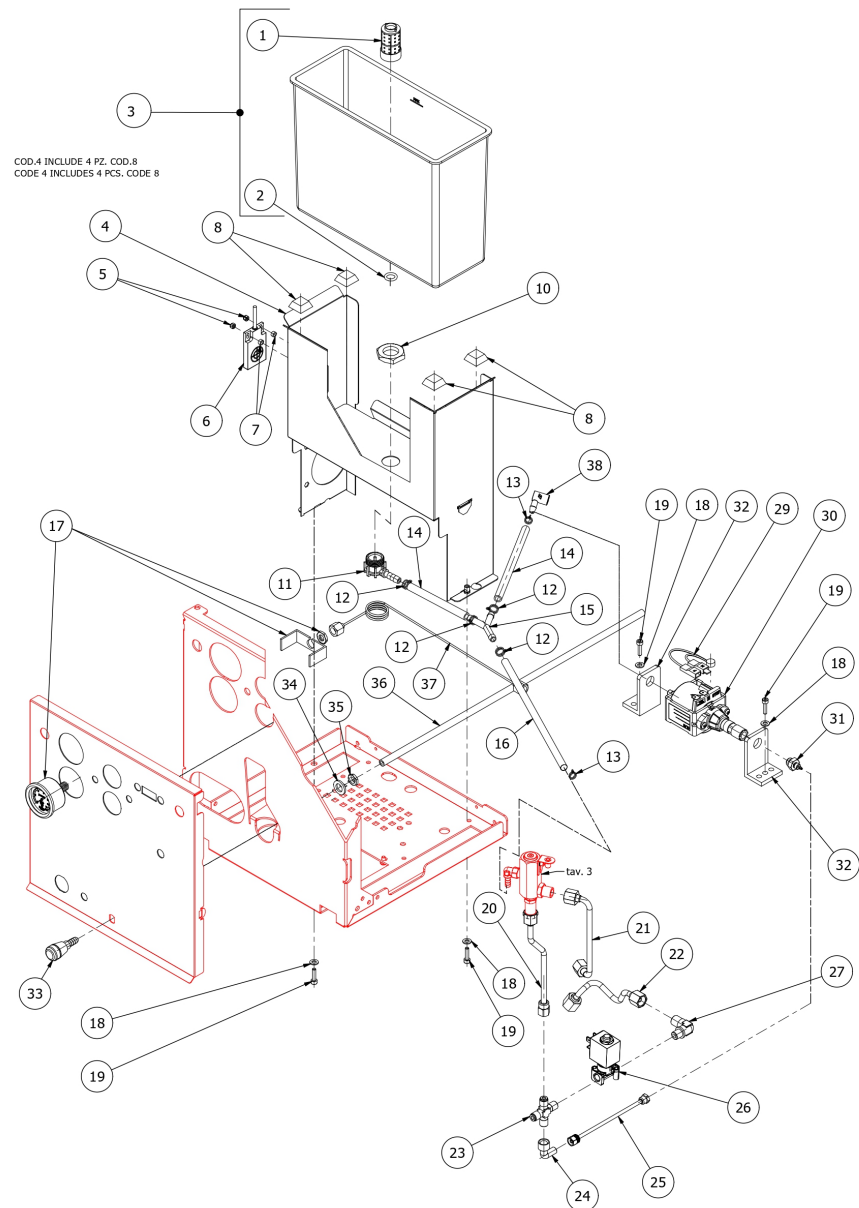


TABLE 3 - (from 01/07/2026)

LUCE

POS	CODE	DESCRIPTION
1	5302094AL	SUPRESSION VALVE RUBBER-HOLDER FITTING
2	7496052	OR GASKET 114 VITON
3	5471550	SURPRESSION VALVE SPRING
4	5493062	PLUG GASKET OF VALVE SILICONE
5	5283068AL	SURPRESSION VALVE BODY
6	5370315TR	RUBBER-HOLDER 1/8' CONICAL
7	5302006AL	FITTING M12X1/8
8	7304560TR	VALVE 14BAR 1/8'
10	5078436LL	VALVE SQUARE SUPPORT W/COMPASSES
11	7815005	FLAT WASHER D4.5X12 A2 AISI304
12	7816017	SCREW TCEI M4X6
13	5968526.01	ASSY SURPRESSION VALVE

TABLE 3 - (from 01/07/2026)

LUCE

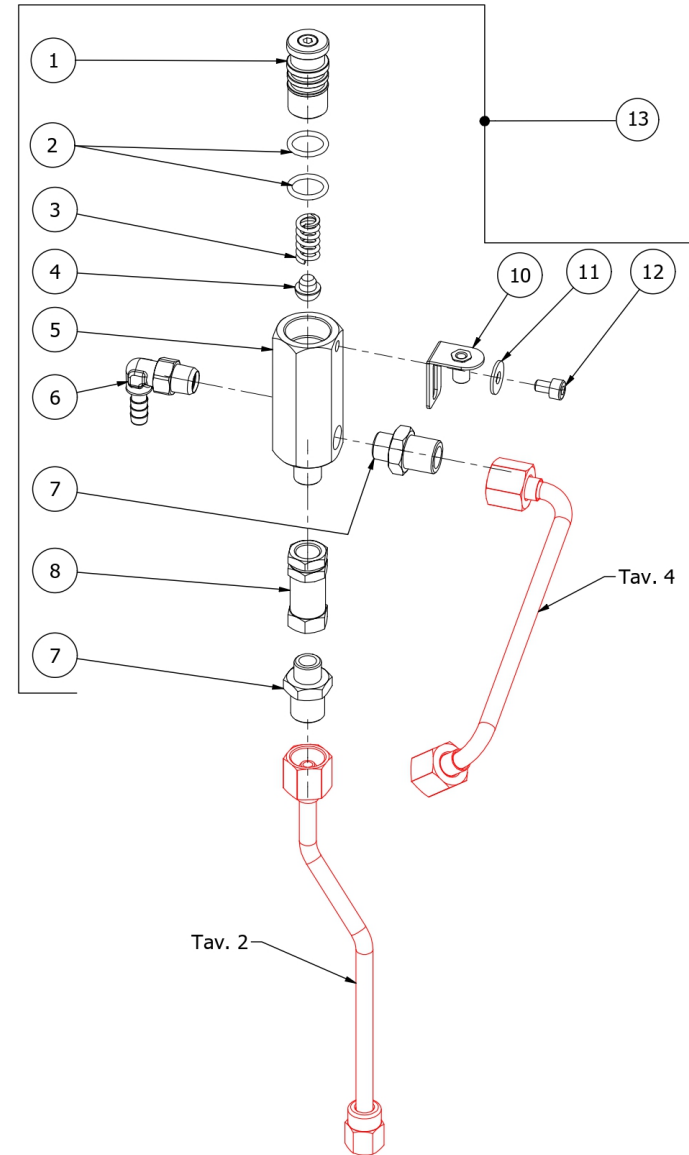
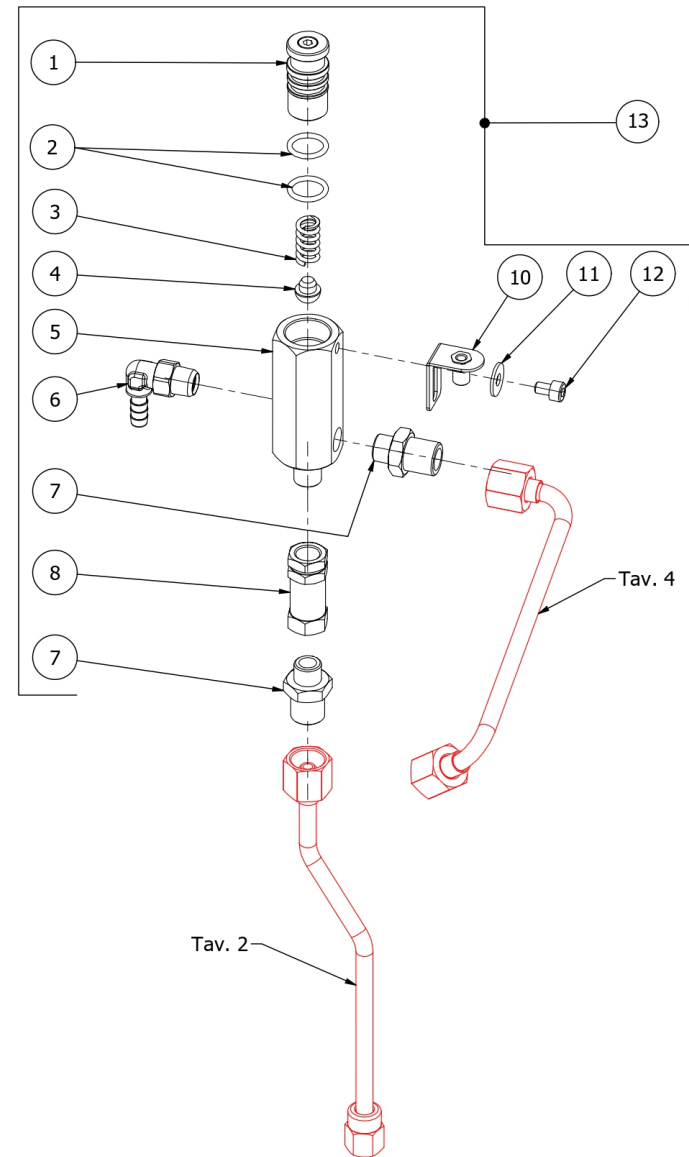


TABLE 3 - (up to 30/06/2026)
LUCE

POS	CODE	DESCRIPTION
1	5302094AL	SUPRESSION VALVE RUBBER-HOLDER FITTING
2	7496052	OR GASKET 114 VITON
3	5471550	SURPRESSION VALVE SPRING
4	5493021	PLUG GASKET OF VALVE SILICONE
5	5283068AL	SURPRESSION VALVE BODY
6	5370315TR	RUBBER-HOLDER 1/8' CONICAL
7	5302006AL	FITTING M12X1/8
8	7304560TR	VALVE 14BAR 1/8'
10	5078436LL	VALVE SQUARE SUPPORT W/COMPASSES
11	7815005	FLAT WASHER D4.5X12 A2 AISI304
12	7816017	SCREW TCEI M4X6
13	5968526	ASSY SURPRESSION VALVE

TABLE 3 - (up to 30/06/2026)
LUCE



BEZZERA

LUCE

TABLE 4 - (up to 06/10/2025)
LUCE

POS	CODE	DESCRIPTION
1	7432522.02	PRESSURE GAUGE D40 3BAR TRICOLOUR
2	7400910	BOILER CAPILLARY PID VERSION
3	9991035	BOILER COVER
4	5302005AL	FITTING M13X3/8
5	5162568LL	PRESSOSTAT PIPE
6	5492028	GASKET D10.5X4X3
7	7433013	PRESSOSTAT XP/100 1/4
8	7452511.02	VALVE ANTIDEPRESSION W/RUBBER-
9	5192001	PROBE SHEATH D8 X 45 HOLE D3 PTFE
10	5225205	STRAIGHT FITTING M10 OT
11	5265826	LEVEL PROBE
12	5900033	STEAM HOSE AND FITTING KIT – SOLE LUCE
13	7452509.02	SAFETY VALVE 3/8
14	5225413AL	REDUCTION 1/2
15	5900032	WATER HOSE AND FITTING KIT – SOLE LUCE
16	5320509BL	BOILER
17	5492025	GASKET D42X32X2 PTFE
18	5722240.01AL	HEATING ELEMENT 220/240V-1250/1450W
18	5721127AL	COPPER HEATING ELEMENT 110V 1350W
19	5329020DC-AL	EXCHANGER 3 HOLES L=1440 MAG-MIT.
20	5495007	COPPER GASKET D32X40
21	5192301	SUCTION D6X1 L=130MM PTFE
22	5162573.01LL	VALVE-EXCHANGER PIPE
23	5302006AL	FITTING M12X1/8
24	5164067.01LL	UPPER HEATING HOSE
25	5301521TR	UNION ELBOW 1/8
26	5301520TR	UNION ELBOW MM 1/8
27	5163204LL	BOTTOM HEATING HOSE
28	5227012	SCREW TE M8X7.5
29	5227007	DOWEL M8 X 6 HOLE M4 OT

BEZZERA

LUCE

TABLE 4 - (up to 06/10/2025)
LUCE

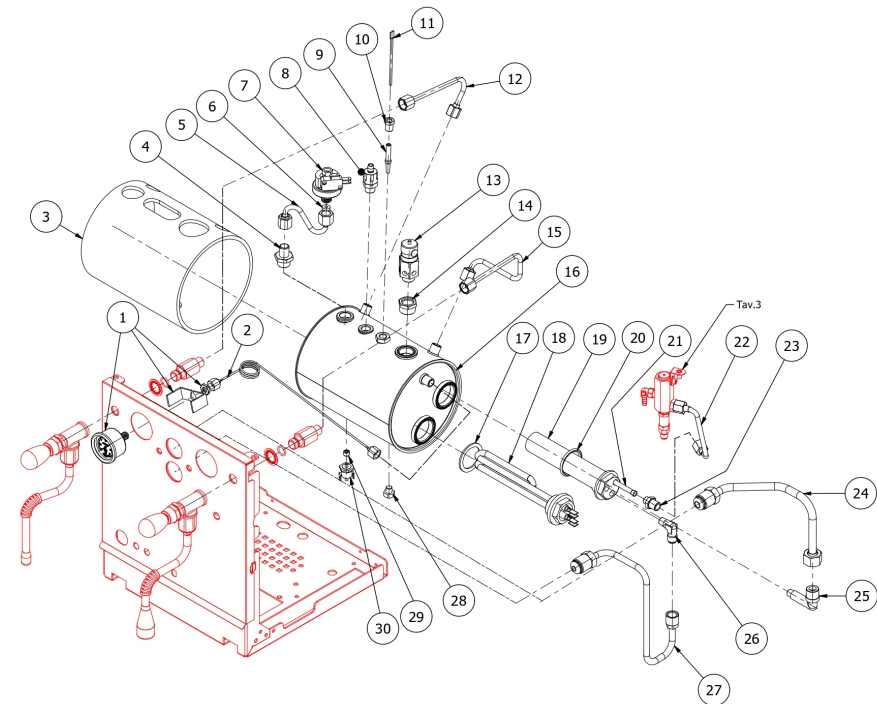


TABLE 4 - (up to 06/10/2025)

LUCE

POS	CODE	DESCRIPTION
30	7434009	THERMOSTAT MANUAL 16A 135°C

TABLE 4 - (up to 06/10/2025)

LUCE

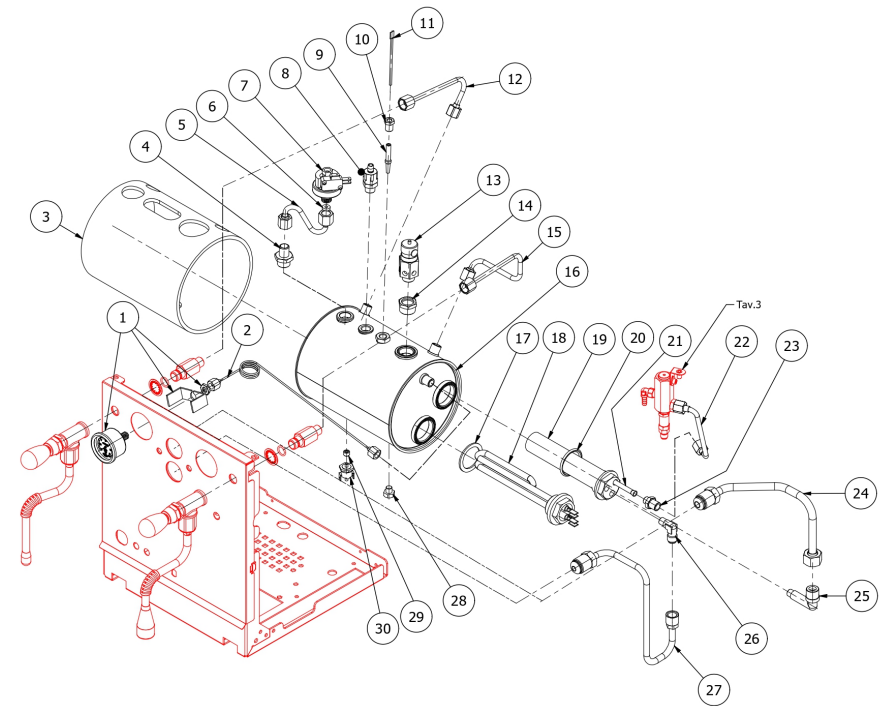


TABLE 4 - (from 07/10/2025)
LUCE

POS	CODE	DESCRIPTION
1	7432522.02	PRESSURE GAUGE D40 3BAR TRICOLOUR
2	7400909	PUMP CAPILLARY
3	9991035	BOILER COVER
4	5302005AL	FITTING M13X3/8
5	5162568LL	PRESSOSTAT PIPE
6	5492028	GASKET D10.5X4X3
7	7433013	PRESSOSTAT XP/100 1/4
8	7452511.02	VALVE ANTIDEPRESSION W/RUBBER-
9	5192001	PROBE SHEATH D8 X 45 HOLE D3 PTFE
10	5225205	STRAIGHT FITTING M10 OT
11	5265826	LEVEL PROBE
12	5162395LL	STEAM TAP TUBE MITICA PID
13	7452509.02	SAFETY VALVE 3/8
14	5225413AL	REDUCTION 1/2
15	5162496LL	WATER PIPE
16	5320509BL	BOILER
17	5492025	GASKET D42X32X2 PTFE
18	5721127AL	COPPER HEATING ELEMENT 110V 1350W
18	5722240AL	HEATING ELEMENT 220/240V-1250/1450W
19	5329020DC-AL	EXCHANGER 3 HOLES L=1440 MAG-MIT.
20	5495007	COPPER GASKET D32X40
21	5192301	SUCTION D6X1 L=130MM PTFE
22	5162573.01LL	VALVE-EXCHANGER PIPE
23	5302006AL	FITTING M12X1/8
24	5164067.01LL	UPPER HEATING HOSE
25	5301521TR	UNION ELBOW 1/8
26	5301520TR	UNION ELBOW MM 1/8
27	5163204LL	BOTTOM HEATING HOSE
28	5227012	SCREW TE M8X7.5
29	5227007	DOWEL M8 X 6 HOLE M4 OT

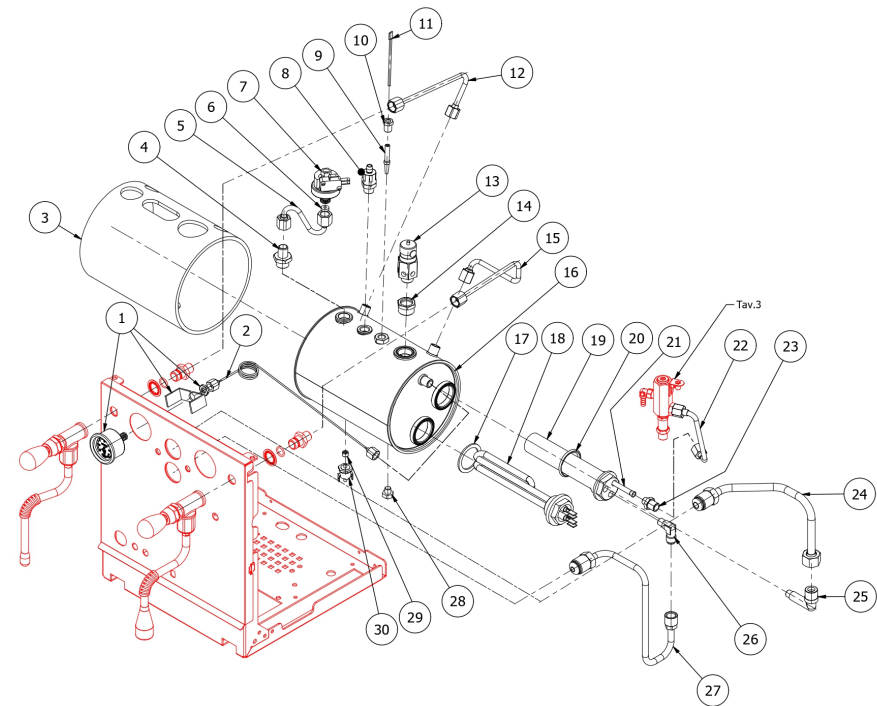
TABLE 4 - (from 07/10/2025)
LUCE

TABLE 4 - (from 07/10/2025)
 LUCE

POS	CODE	DESCRIPTION
30	7434009	THERMOSTAT MANUAL 16A 135°C

TABLE 4 - (from 07/10/2025)
 LUCE

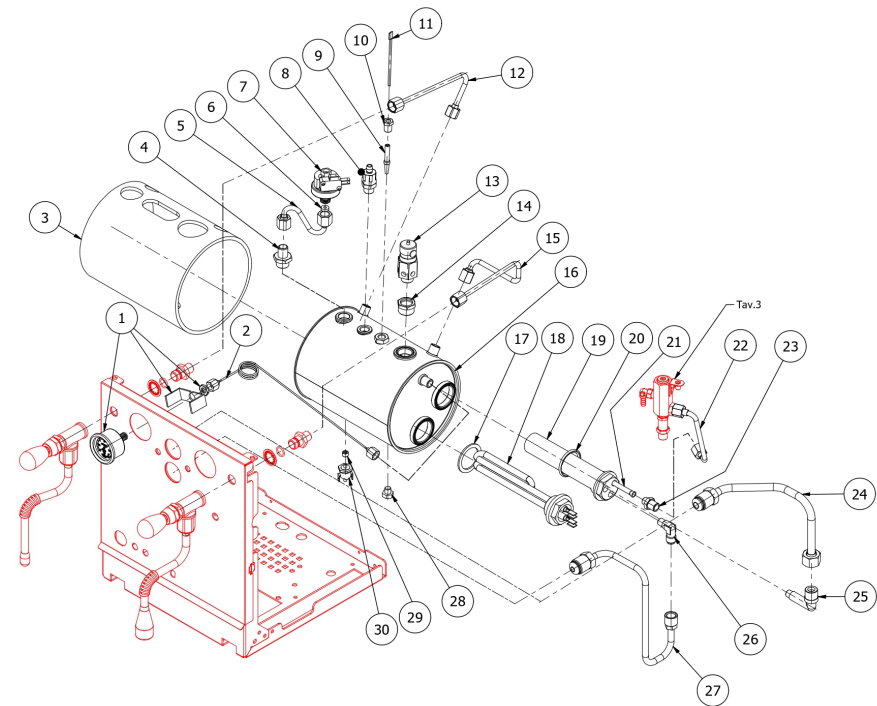
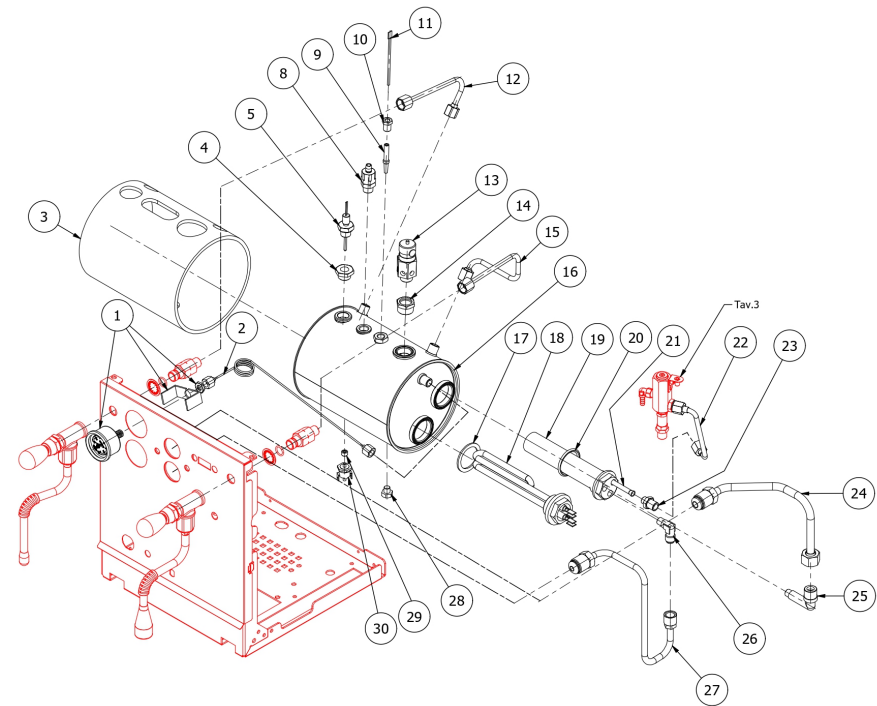


TABLE 4A - (up to 06/10/2025)
LUCE PID

POS	CODE	DESCRIPTION
1	7432522.02	PRESSURE GAUGE D40 3BAR TRICOLOUR
2	7400910	BOILER CAPILLARY PID VERSION
3	9991035	BOILER COVER
4	5225412AL	FITTING FOR TEMPERATURE PROBE
5	7666008	PROBE X THERMOPID AISI316 D3
8	7452511.02	VALVE ANTIDEPRESSION W/RUBBER-
9	5192001	PROBE SHEATH D8 X 45 HOLE D3 PTFE
10	5225205	STRAIGHT FITTING M10 OT
11	5265826	LEVEL PROBE
12	5900033	STEAM HOSE AND FITTING KIT - SOLE LUCE
13	7452509.02	SAFETY VALVE 3/8
14	5225413AL	REDUCTION 1/2
15	5900032	WATER HOSE AND FITTING KIT - SOLE LUCE
16	5320509BL	BOILER
17	5492025	GASKET D42X32X2 PTFE
18	5722240.01AL	HEATING ELEMENT 220/240V-1250/1450W
18	5721127AL	COPPER HEATING ELEMENT 110V 1350W
19	5329020DC-AL	EXCHANGER 3 HOLES L=1440 MAG-MIT.
20	5495007	COPPER GASKET D32X40
21	5192301	SUCTION D6X1 L=130MM PTFE
22	5162573.01LL	VALVE-EXCHANGER PIPE
23	5302006AL	FITTING M12X1/8
24	5164067.01LL	UPPER HEATING HOSE
25	5301521TR	UNION ELBOW 1/8
26	5301520TR	UNION ELBOW MM 1/8
27	5163204LL	BOTTOM HEATING HOSE
28	5227012	SCREW TE M8X7.5
29	5227007	DOWEL M8 X 6 HOLE M4 OT
30	7434009	THERMOSTAT MANUAL 16A 135°C

TABLE 4A - (up to 06/10/2025)
LUCE PID

BEZZERA

LUCE

TABLE 4A - (from 07/10/2025)
LUCE PID

POS	CODE	DESCRIPTION
1	7432522.02	PRESSURE GAUGE D40 3BAR TRICOLOUR
2	7400910	BOILER CAPILLARY PID VERSION
3	9991035	BOILER COVER
4	5225412AL	FITTING FOR TEMPERATURE PROBE
5	7666008	PROBE X THERMOPID AISI316 D3
8	7452511.02	VALVE ANTIDEPRESSION W/RUBBER-
9	5192001	PROBE SHEATH D8 X 45 HOLE D3 PTFE
10	5225205	STRAIGHT FITTING M10 OT
11	5265826	LEVEL PROBE
12	5162395.01LL	STEAM TAP TUBE MITICA PID
13	7452509.02	SAFETY VALVE 3/8
14	5225413AL	REDUCTION 1/2
15	5162496.01LL	WATER PIPE
16	5320509BL	BOILER
17	5492025	GASKET D42X32X2 PTFE
18	5722240AL	HEATING ELEMENT 220/240V-1250/1450W
18	5721127AL	COPPER HEATING ELEMENT 110V 1350W
19	5329020DC-AL	EXCHANGER 3 HOLES L=1440 MAG-MIT.
20	5495007	COPPER GASKET D32X40
21	5192301	SUCTION D6X1 L=130MM PTFE
22	5162573.01LL	VALVE-EXCHANGER PIPE
23	5302006AL	FITTING M12X1/8
24	5164067.01LL	UPPER HEATING HOSE
25	5301521TR	UNION ELBOW 1/8
26	5301520TR	UNION ELBOW MM 1/8
27	5163204LL	BOTTOM HEATING HOSE
28	5227012	SCREW TE M8X7.5
29	5227007	DOWEL M8 X 6 HOLE M4 OT
30	7434009	THERMOSTAT MANUAL 16A 135°C

BEZZERA

LUCE

TABLE 4A - (from 07/10/2025)
LUCE PID

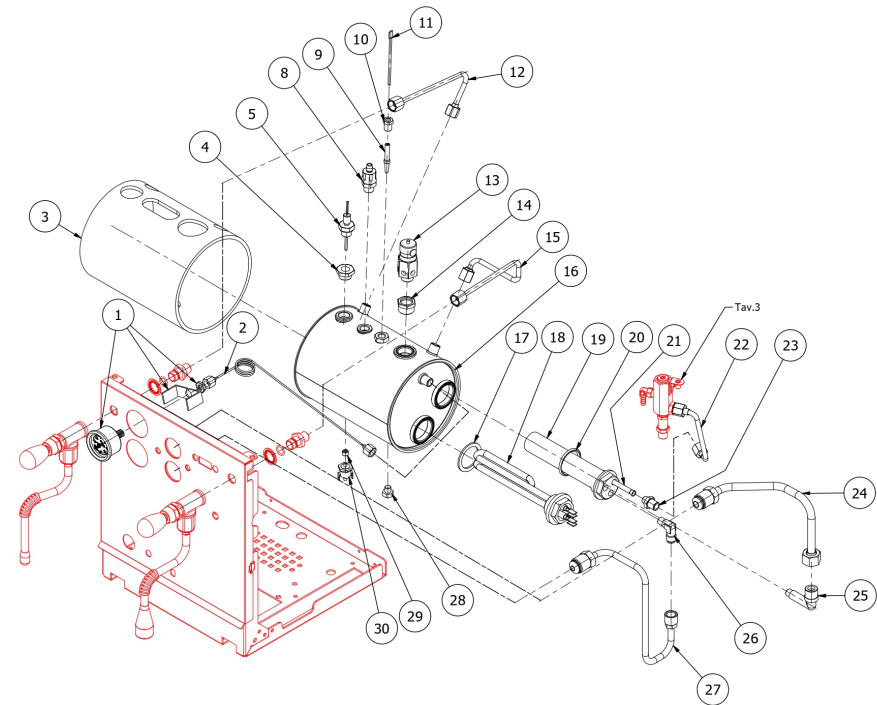
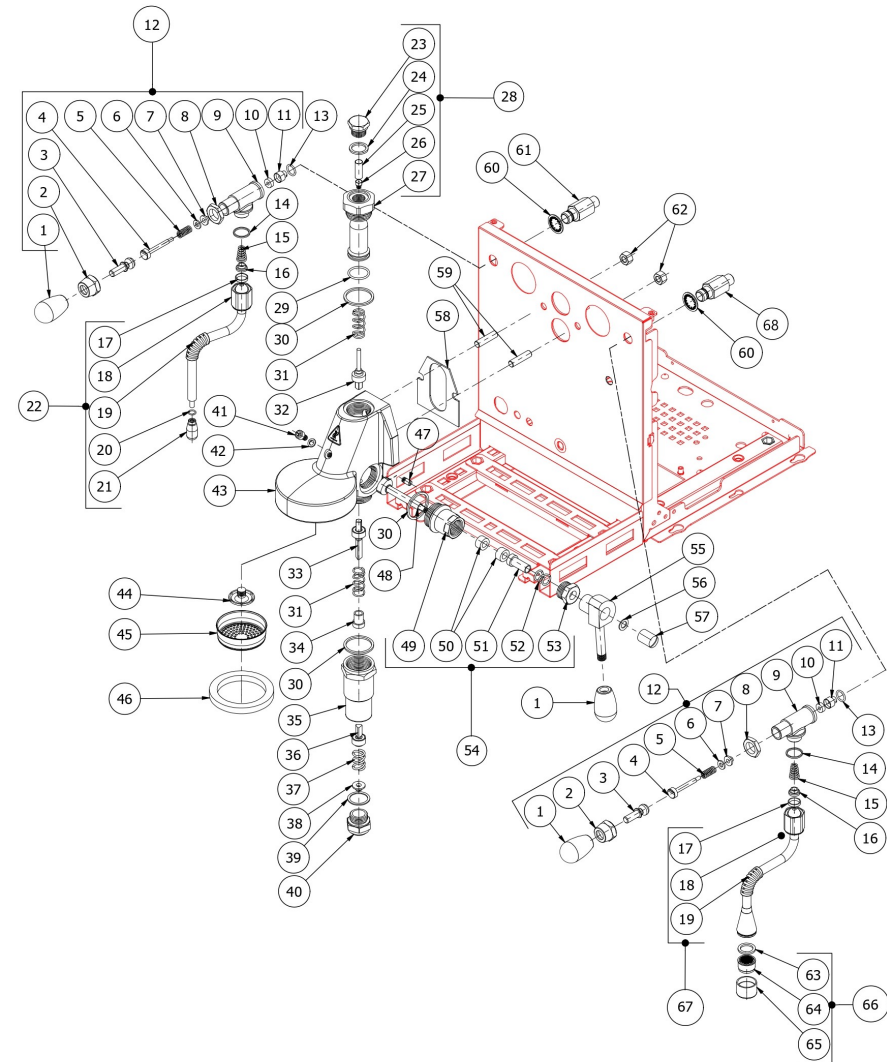


TABLE 5 - (up to 06/10/2025)
LUCE

POS	CODE	DESCRIPTION
1	7371511.01	BLACK LEVER KNOB I.622/40-M8
2	5262801.01	FERRULE 3/8" G H17 STAINLESS STEEL
3	5225610	ARTICULATED JOINT M8
4	5260204DL	SHAFT D12X47 AISI303 POLISH
5	5471513	SPRING D8 H17 AISI302
6	5261801	WASHER D11
7	5494004	GASKET D12 X 6 PTFE GRAPHITIZED
8	5221826CM	NUT 3/8
9	5283055TW	TAP BODY OT FOR OR
10	5496042	GASKET D11X4X4 EPT 70
11	5224603AL	GASKET HOLDER D12X12 OT57USA
12	5964085.02AL	BZ07 TAP COMPLETE WITHOUT HOOKING
13	7496052	OR GASKET 114 VITON
14	5494021	NUT GASKET PTFE H=1,5
15	5471532.01	SPRING FOR ARTICULATION
16	5190501	CUP FOR FITTING PTFE/GLASS
17	7496073.01	GASKET OR 115 EP856 (FOR TANK)
18	5221872.01	LOOSEN NUT 3/8
19	7371004	STEAM PIPE PROTECTION
20	7496095	OR GASKET 6X1.2 EPDM70
21	5266609	STEAM TERMINAL 2 WAYS AISI303
22	7479990.03	STEAM TUBE TERMINAL 2 HOLES SPHERE
23	7479952DL	UPPER ASSY PLUG
24	7479953	GASKET TF 22X17X2
25	7479954	INOX FILTER D.8,5X22
26	7479955.01	INJECTOR CH7X9 M6X0.75 HOLE 0.7
27	7479956.01	UPPER SLEEVE ASSY
28	7479933.01	INJECTOR 0,7 UPPER SLEEVE ASSY
29	7479934	GASKET OR 128 VITON
30	7479935	GASKET TF Ø35X30X2

TABLE 5 - (up to 06/10/2025)
LUCE



BEZZERA

LUCE

TABLE 5 - (up to 06/10/2025)
LUCE

POS	CODE	DESCRIPTION
31	7479936	DELIVERY VALVE SPRING
32	7479937	DELIVERY VALVE ASSY
33	7479946	ASSEMBLY VALVE
34	7479942	SPRING GUIDE BUSHING
35	7479957	LOWER SLEEVE ASSY
36	7479943	ASSEMBLY RELIEF VALVE
37	7479944	DRAIN SPRING
38	7479945	JET-BREAKER BUSHING Ø15X6
39	7479960	GASKET TF D26x21x2
40	7479961	GROUP BOTTOM FITTING
41	7479939	SCREW TCE M6X8
42	7479938	GASKET TF 10X6X1
43	7479940AL	LEVER BODY GROUP CHROMED OT57
44	7479941	SPRAYER D.30
45	5471022	INOX SHOWER FILTER
46	5493039	GASKET H8 E61 GROUP
47	7479951	CAMS LOCK STUD
48	7479950	GROUND CAMS TREE
49	7479967	CAM FLANGE
50	7479968	WASHER EP079 15.5X7.5X4
51	7479969	BUSHING
52	7479970	SPRING
53	7479971	PLUG CHROMED
54	7479949	CAM FLANGE ASSY
55	7479931	DELIVERY LEVER
56	7479947	WASHER D8
57	7479948	CAP D15XM6
58	7493011	INSULATING
59	5267013	TIE ROD M8X31 ASTM A 193 B8 C/1
60	7814201	WASHER 14 DIN6798J A2

BEZZERA

LUCE

TABLE 5 - (up to 06/10/2025)
LUCE

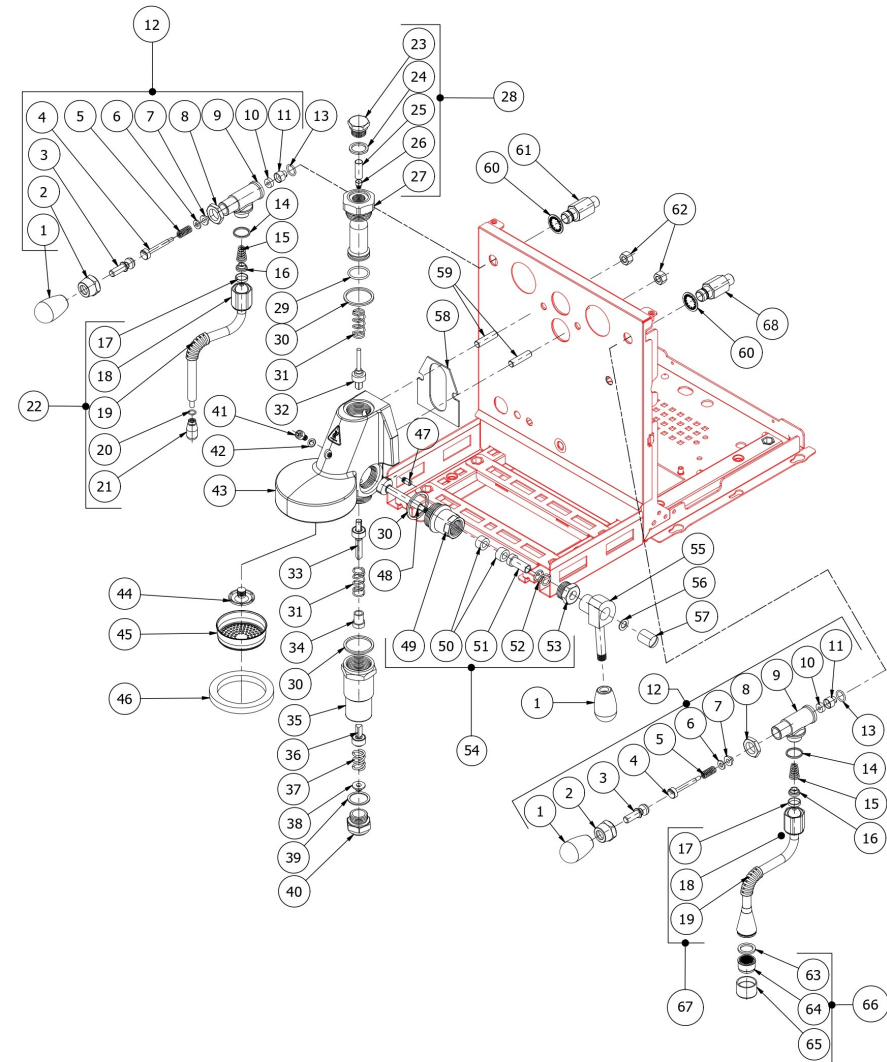


TABLE 5 - (up to 06/10/2025)
LUCE

POS	CODE	DESCRIPTION
61	5900033	STEAM HOSE AND FITTING KIT - SOLE LUCE
62	7811402	NUT M8 UNI5587 A2
63	5493003	GASKET D20.5X15 H1.5 NBR 70SH
64	5471037	ACETALIC AIR FILTER
65	7305020TW	WATER TERMINAL
66	5226601TW	WATER HOSE TERMINAL
67	5966566	WATER TUBE SEMISPHERE 14.3
68	5900032	WATER HOSE AND FITTING KIT - SOLE LUCE

TABLE 5 - (up to 06/10/2025)
LUCE

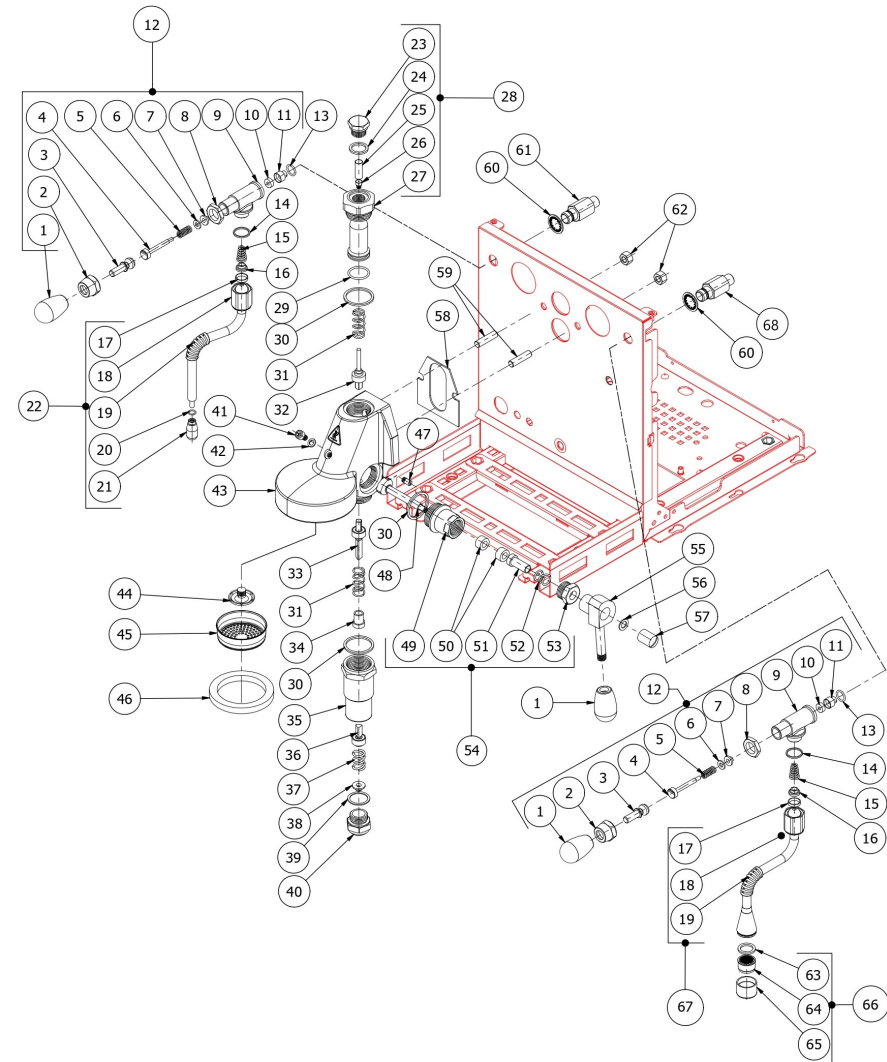
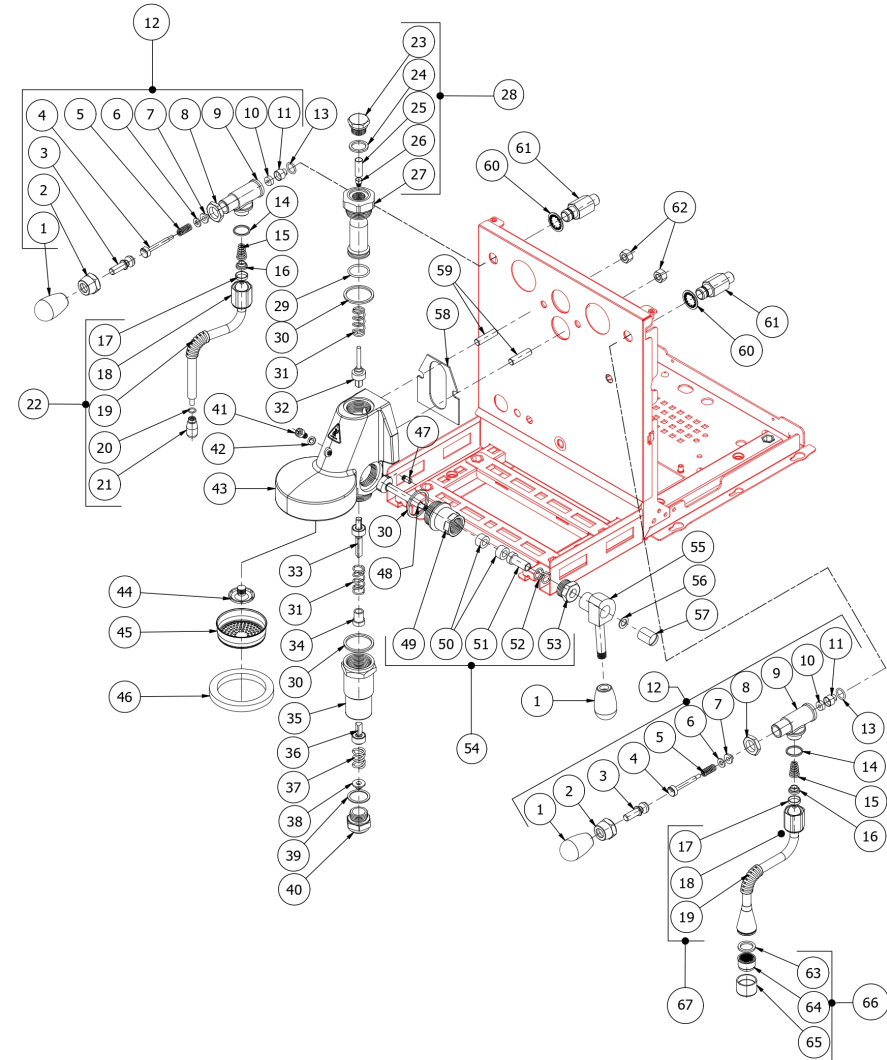


TABLE 5 - (from 07/10/2025)
LUCE

POS	CODE	DESCRIPTION
1	7371511.01	BLACK LEVER KNOB I.622/40-M8
2	5262801.01	FERRULE 3/8" G H17 STAINLESS STEEL
3	5225610	ARTICULATED JOINT M8
4	5260204DL	SHAFT D12X47 AISI303 POLISH
5	5471513	SPRING D8 H17 AISI302
6	5261801	WASHER D11
7	5494004	GASKET D12 X 6 PTFE GRAPHITIZED
8	5221826CM	NUT 3/8
9	5283055TW	TAP BODY OT FOR OR
10	5496042	GASKET D11X4X4 EPT 70
11	5224603AL	GASKET HOLDER D12X12 OT57USA
12	5964085.02AL	BZ07 TAP COMPLETE WITHOUT HOOKING
13	7496052	OR GASKET 114 VITON
14	5494021	NUT GASKET PTFE H=1,5
15	5471532.01	SPRING FOR ARTICULATION
16	5190501	CUP FOR FITTING PTFE/GLASS
17	7496073.01	GASKET OR 115 EP856 (FOR TANK)
18	5221872.01	LOOSEN NUT 3/8
19	7371004	STEAM PIPE PROTECTION
20	7496095	OR GASKET 6X1.2 EPDM70
21	5266609	STEAM TERMINAL 2 WAYS AISI303
22	7479990.03	STEAM TUBE TERMINAL 2 HOLES SPHERE
23	7479952	UPPER ASSY PLUG
24	7479953	GASKET TF 22X17X2
25	7479954	INOX FILTER D.8,5X22
26	7479955.01	INJECTOR CH7X9 M6X0.75 HOLE 0.7
27	7479956.01	UPPER SLEEVE ASSY
28	7479933.01	INJECTOR 0,7 UPPER SLEEVE ASSY
29	7479934	GASKET OR 128 VITON
30	7479935	GASKET TF Ø35X30X2

TABLE 5 - (from 07/10/2025)
LUCE



BEZZERA

LUCE

TABLE 5 - (from 07/10/2025)
LUCE

POS	CODE	DESCRIPTION
31	7479936	DELIVERY VALVE SPRING
32	7479937	DELIVERY VALVE ASSY
33	7479946	ASSEMBLY VALVE
34	7479942	SPRING GUIDE BUSHING
35	7479957	LOWER SLEEVE ASSY
36	7479943	ASSEMBLY RELIEF VALVE
37	7479944	DRAIN SPRING
38	7479945	JET-BREAKER BUSHING Ø15X6
39	7479960	GASKET TF D26x21x2
40	7479961	GROUP BOTTOM FITTING
41	7479939	SCREW TCE M6X8
42	7479938	GASKET TF 10X6X1
43	7479940AL	LEVER BODY GROUP CHROMED OT57
44	7479941	SPRAYER D.30
45	5471022	INOX SHOWER FILTER
46	5493039	GASKET H8 E61 GROUP
47	7479951	CAMS LOCK STUD
48	7479950	GROUND CAMS TREE
49	7479967	CAM FLANGE
50	7479968	WASHER EP079 15.5X7.5X4
51	7479969	BUSHING
52	7479970	SPRING
53	7479971	PLUG CHROMED
54	7479949	CAM FLANGE ASSY
55	7479931	DELIVERY LEVER
56	7479947	WASHER D8
57	7479948	CAP D15XM6
58	7493011	INSULATING
59	5267013	TIE ROD M8X31 ASTM A 193 B8 C/1
60	7814201	WASHER 14 DIN6798J A2

BEZZERA

LUCE

TABLE 5 - (from 07/10/2025)
LUCE

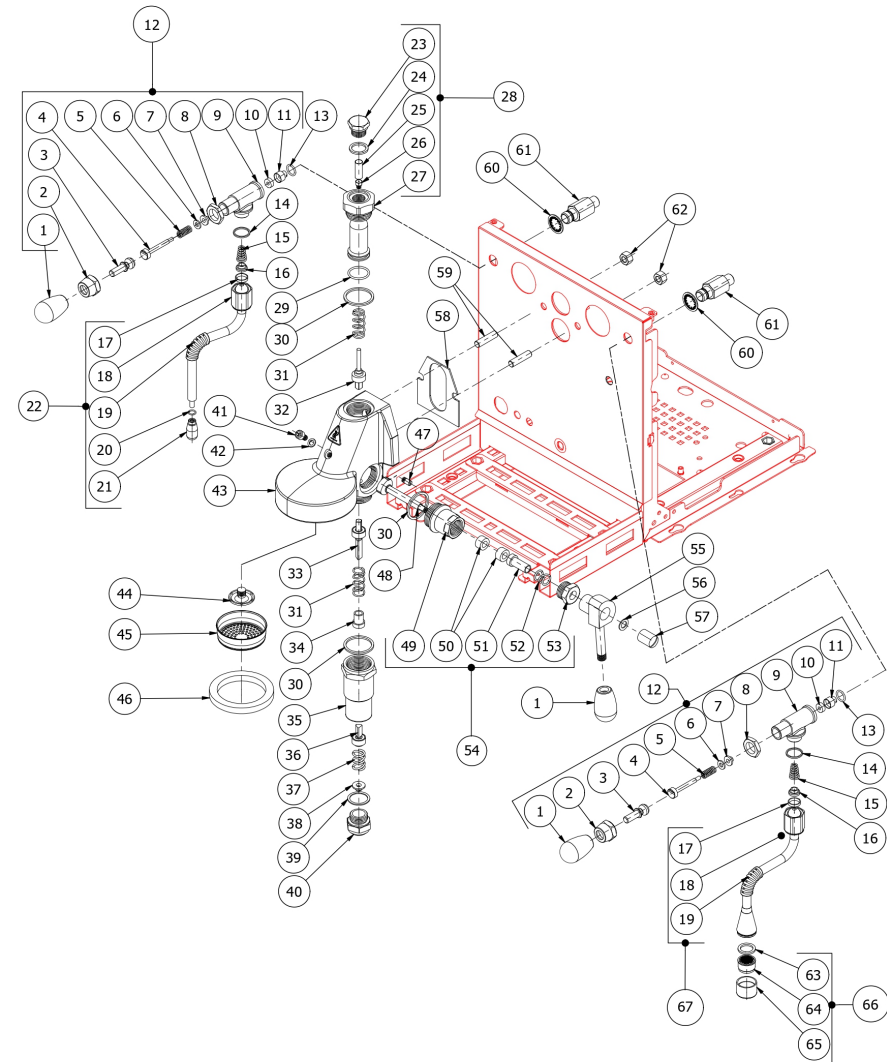


TABLE 5 - (from 07/10/2025)
LUCE

POS	CODE	DESCRIPTION
61	5225416.01AL	FITTING M14XM13 ES19 H31 WITHOUT OR
62	7811402	NUT M8 UNI5587 A2
63	5493003	GASKET D20.5X15 H1.5 NBR 70SH
64	5471037	ACETALIC AIR FILTER
65	7305020TW	WATER TERMINAL
66	5226601TW	WATER HOSE TERMINAL
67	5966566	WATER TUBE SEMISPHERE 14.3

TABLE 5 - (from 07/10/2025)
LUCE

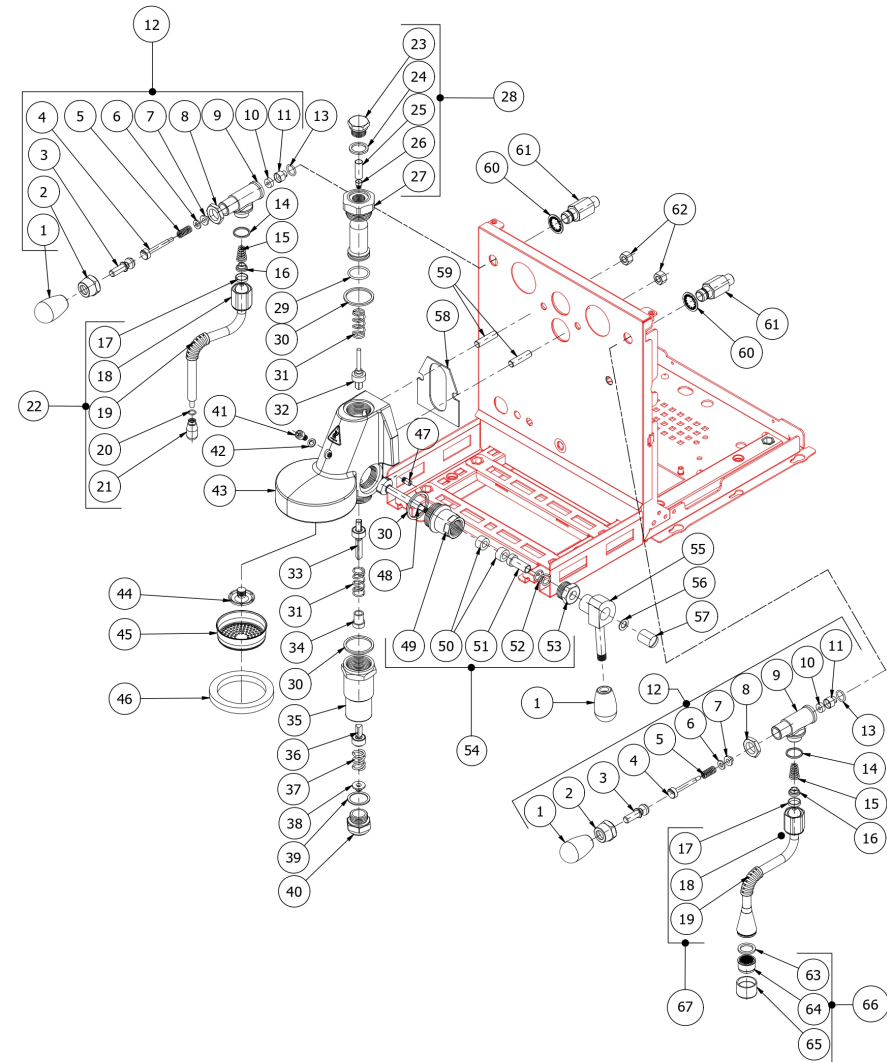


TABLE 5A
LUCE PID FAST HEATING

POS	CODE	DESCRIPTION
1	7371511.01	BLACK LEVER KNOB I.622/40-M8
2	5262801.01	FERRULE 3/8"G H17 STAINLESS STEEL
3	5225610	ARTICULATED JOINT M8
4	5260204DL	SHAFT D12X47 AISI303 POLISH
5	5471513	SPRING D8 H17 AISI302
6	5261801	WASHER D11
7	5494004	GASKET D12 X 6 PTFE GRAPHITIZED
8	5221826CM	NUT 3/8
9	5283055TW	TAP BODY OT FOR OR
10	5496042	GASKET D11X4X4 EPT 70
11	5224603AL	GASKET HOLDER D12X12 OT57USA
12	5964085.02AL	BZ07 TAP COMPLETE WITHOUT HOOKING
13	7496052	OR GASKET 114 VITON
14	5494021	NUT GASKET PTFE H=1,5
15	5471532.01	SPRING FOR ARTICULATION
16	5190501	CUP FOR FITTING PTFE/GLASS
17	7496073.01	GASKET OR 115 EP856 (FOR TANK)
18	5221872.01	LOOSEN NUT 3/8
19	7371004	STEAM PIPE PROTECTION
20	7496095	OR GASKET 6X1.2 EPDM70
21	5266609	STEAM TERMINAL 2 WAYS AISI303
22	7479990.03	STEAM TUBE TERMINAL 2 HOLES SPHERE
23	7479952	UPPER ASSY PLUG
24	7479953	GASKET TF 22X17X2
25	7479954	INOX FILTER D.8,5X22
26	7479955.01	INJECTOR CH7X9 M6X0.75 HOLE 0.7
27	7479956.01	UPPER SLEEVE ASSY
28	7479933.01	INJECTOR 0,7 UPPER SLEEVE ASSY
29	7479934	GASKET OR 128 VITON
30	7479935	GASKET TF Ø35X30X2

TABLE 5A
LUCE PID FAST HEATING

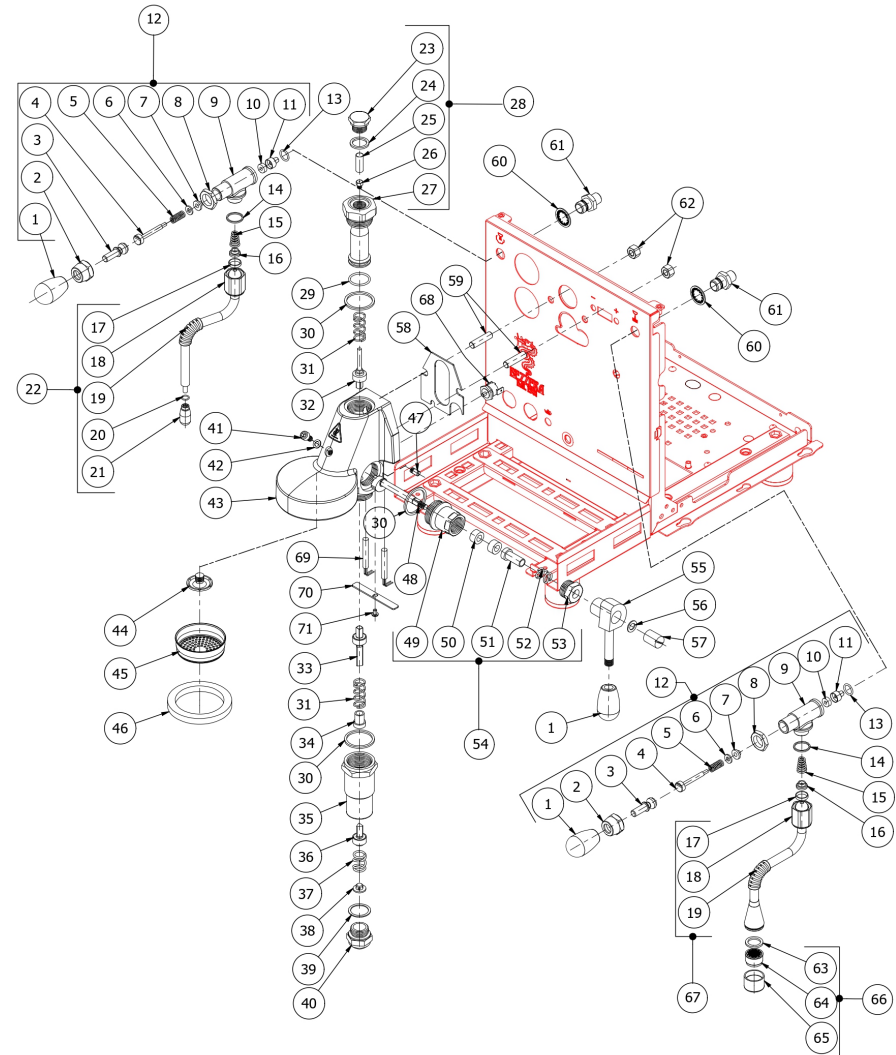


TABLE 5A
LUCE PID FAST HEATING

POS	CODE	DESCRIPTION
31	7479936	DELIVERY VALVE SPRING
32	7479937	DELIVERY VALVE ASSY
33	7479946	ASSEMBLY VALVE
34	7479942	SPRING GUIDE BUSHING
35	7479957	LOWER SLEEVE ASSY
36	7479943	ASSEMBLY RELIEF VALVE
37	7479944	DRAIN SPRING
38	7479945	JET-BREAKER BUSHING Ø15X6
39	7479960	GASKET TF D26x21x2
40	7479961	GROUP BOTTOM FITTING
41	7479939	SCREW TCE M6X8
42	7479938	GASKET TF 10X6X1
43	7479962AL	LEVER BODY GROUP E61 CR.OT57 FOR FAST HEATING
44	7479941	SPRAYER D.30
45	5471022	INOX SHOWER FILTER
46	5493039	GASKET H8 E61 GROUP
47	7479951	CAMS LOCK STUD
48	7479950	GROUND CAMS TREE
49	7479967	CAM FLANGE
50	7479968	WASHER EP079 15.5X7.5X4
51	7479969	BUSHING
52	7479970	SPRING
53	7479971	PLUG CHROMED
54	7479949	CAM FLANGE ASSY
55	7479931	DELIVERY LEVER
56	7479947	WASHER D8
57	7479948	CAP D15XM6
58	7493026	INSULATING
59	5267013	TIE ROD M8X31 ASTM A 193 B8 C/1
60	7814201	WASHER 14 DIN6798J A2

TABLE 5A
LUCE PID FAST HEATING

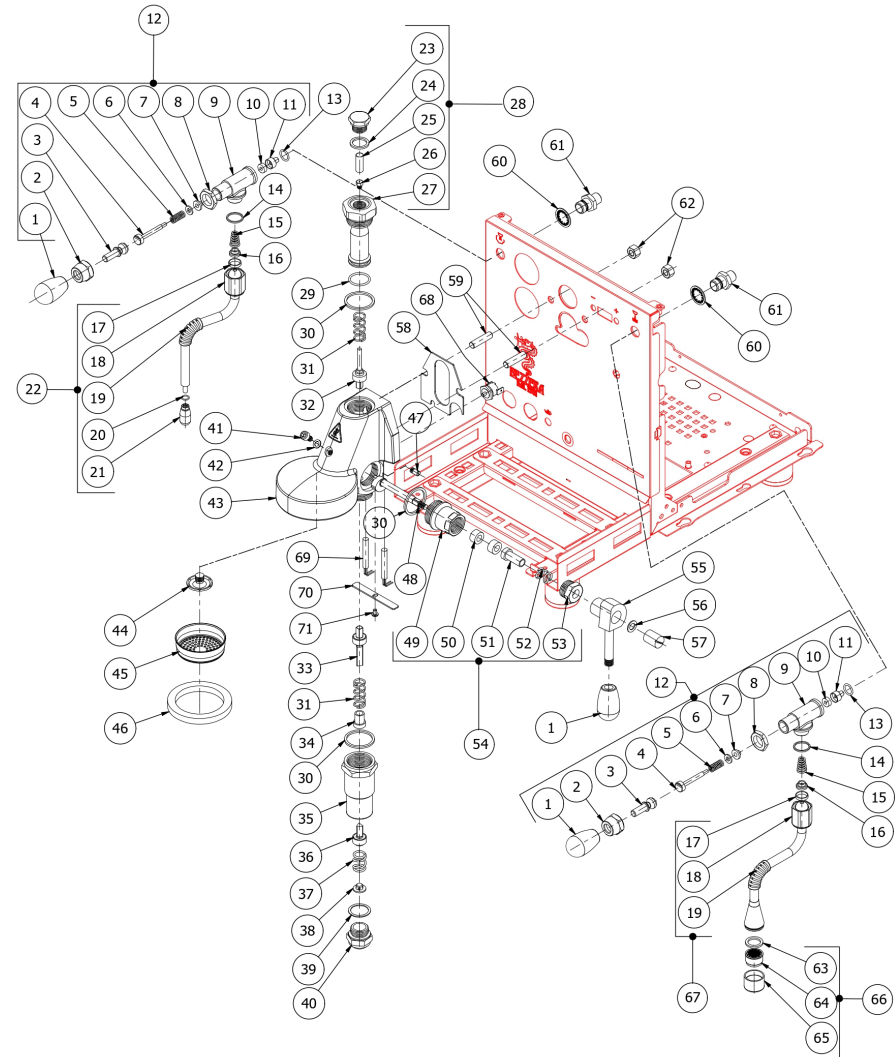


TABLE 5A
LUCE PID FAST HEATING

POS	CODE	DESCRIPTION
61	5225416.01AL	FITTING M14XM13 ES19 H31 WITHOUT OR
62	7811402	NUT M8 UNI5587 A2
63	5493003	GASKET D20.5X15 H1.5 NBR 70SH
64	5471037	ACETALIC AIR FILTER
65	7305020TW	WATER TERMINAL
66	5226601TW	WATER HOSE TERMINAL
67	5966566	WATER TUBE SEMISPHERE 14.3
68	7634808	THERMIC SAFETY DEVICE 250V 95°C AUTOMATIC
69	5963403	GLOW PLUG ASSY DOUBLE 110/120V 150W
69	5963401	GLOW PLUG ASSY DOUBLE 220/240V 150W
70	5058533	GLOW PLUG COVER GROUP E61
71	7819912	SCREW M4X6

TABLE 5A
LUCE PID FAST HEATING

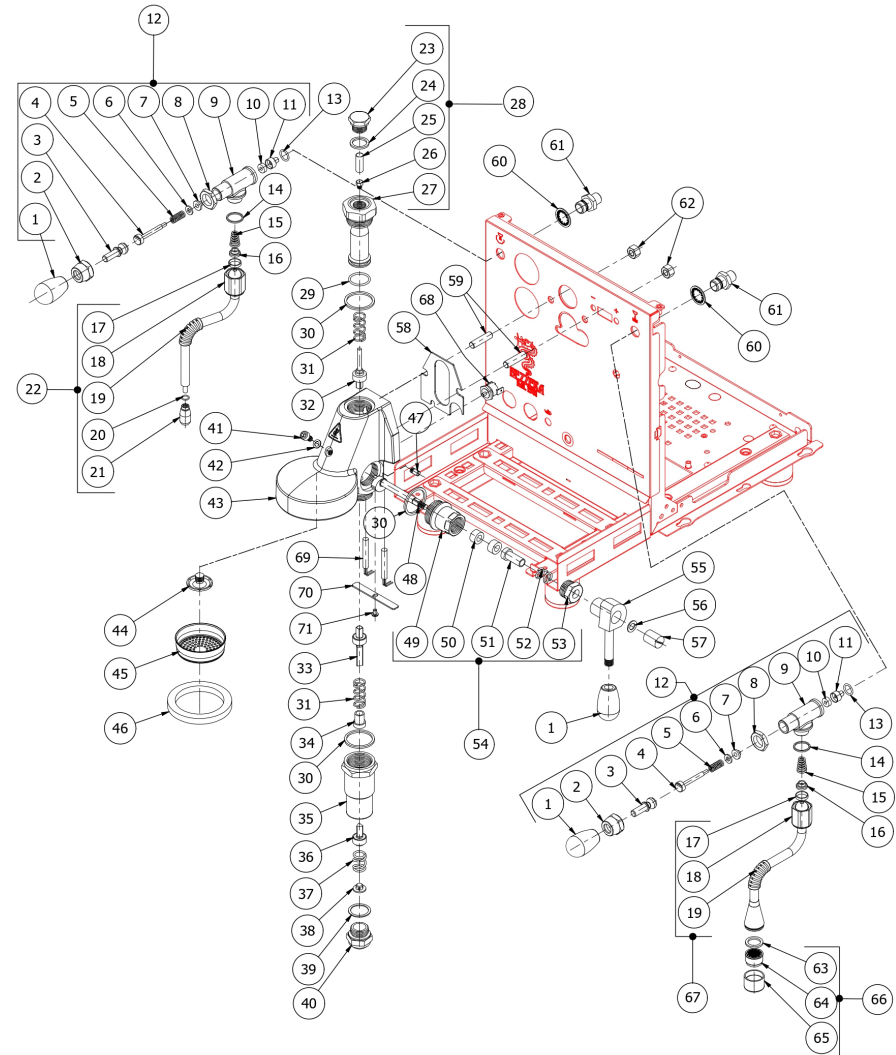
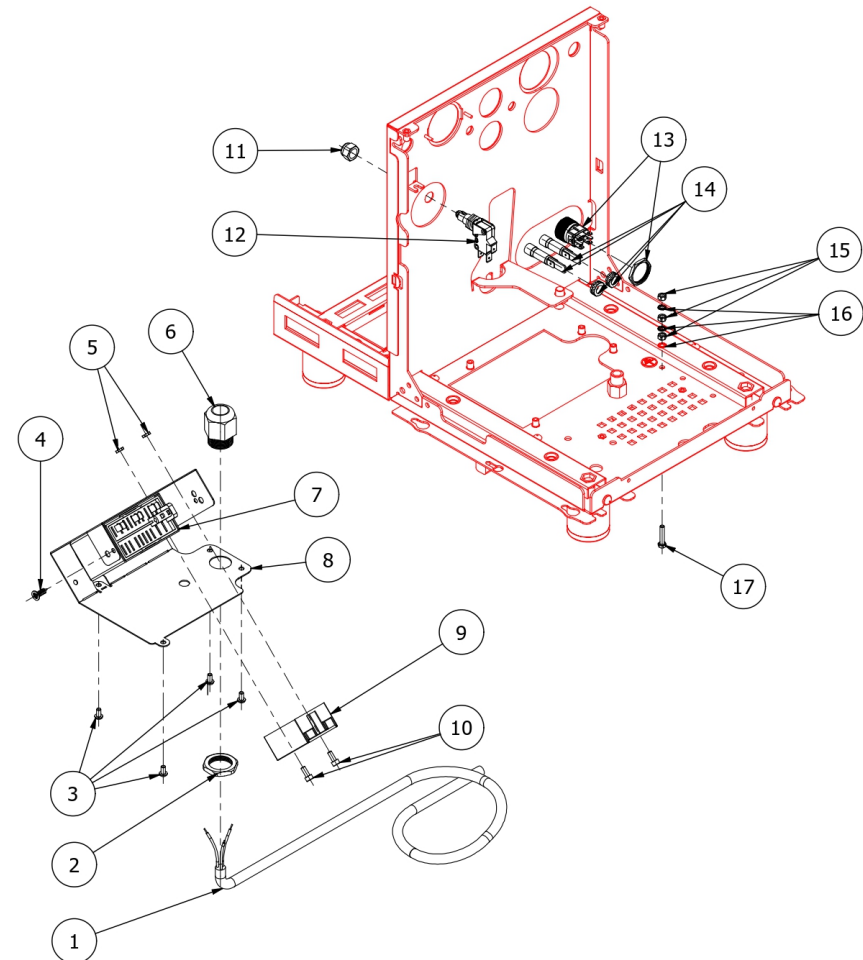


TABLE 6
LUCE

POS	CODE	DESCRIPTION
1	7551001	ELECTRIC CABLE WITH USA PLUG L=1.5M
1	7555007	ELECTRIC CABLE WITH CHINA PLUG
1	7552001	ELECTRIC CABLE WITH AUSTRALIAN PLUG
1	7554001	ELECTRIC CABLE WITH ENGLISH PLUG
1	7553001	CABLE ISRAELE PLUG H05VV-F 3G1.5M
1	7555001	ELECTRIC CABLE WITH SHUKO PLUG
2	7614006	NUT PG13.5
3	7819908	SCREW TTEI M4X8
4	7819404	TAPPING SCREW TPS D2.9X9.5 UNI 6952
5	7812601	INOX NUT M4 UNI5588
6	7614007	FAIRLEAD WITH HOLE RUBBER
7	7661007R	LEVEL REGULATOR 220/240V 50/60HZ
7	7661006R	LEVEL REGULATOR 100/120V 50/60HZ
8	5035732LW	ELECTRIC PARTS PLATE
9	7635424.01	RELAIS SSR FOR T.PID
10	7816009	SCREW TCEI M4X10 UNI 5931A2
11	5221875CM	NUT M10X0,75
12	7633906.01	MICRO SWITCH
13	7633355SG	SWITCH 110V ON/OFF
13	7633354SG	SWITCH 230V ON/OFF
14	7633628	WHITE LAMP
15	7822603	NUT M4 OT
16	7814001	WASHER D4 DIN 6798A A2
17	7826411	SCREW TE M4X20 UNI5739 OT

TABLE 6
LUCE

BEZZERA

LUCE

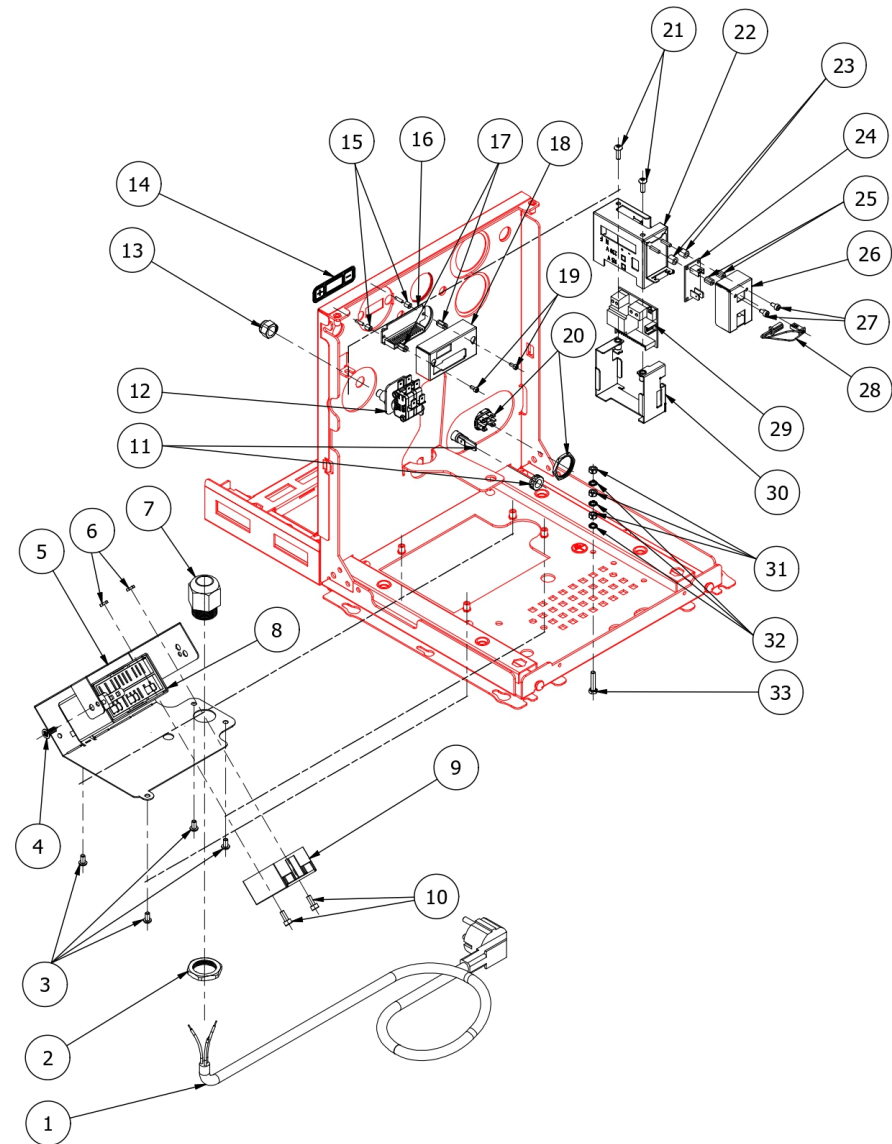
TABLE 6A
LUCE PID

POS	CODE	DESCRIPTION
1	7555001	ELECTRIC CABLE WITH SHUKO PLUG
1	7551001	ELECTRIC CABLE WITH USA PLUG L=1.5M
1	7555007	ELECTRIC CABLE WITH CHINA PLUG
1	7552001	ELECTRIC CABLE WITH AUSTRALIAN PLUG
1	7554001	ELECTRIC CABLE WITH ENGLISH PLUG
1	7553001	CABLE ISRAELE PLUG H05VV-F 3G1.5M
2	7614006	NUT PG13.5
3	7819908	SCREW TTEI M4X8
4	7819404	TAPPING SCREW TPS D2.9X9.5 UNI 6952
5	5035732LW	ELECTRIC PARTS PLATE
6	7812601	INOX NUT M4 UNI5588
7	7614007	FAIRLEAD WITH HOLE RUBBER
8	7661006R	LEVEL REGULATOR 100/120V 50/60HZ
8	7661007R	LEVEL REGULATOR 220/240V 50/60HZ
9	7635424.01	RELAIS SSR FOR T.PID
10	7816009	SCREW TCEI M4X10 UNI 5931A2
11	7633628	WHITE LAMP
12	7633910.01	MICRO SWITCH 2 POLIES W/WEEL
13	5221875CM	NUT M10X0,75
14	5522077	PID ADHESIVE LABEL
15	5191522	SPACER
16	7665544	TPID DISPLAY CARD WHITE (PR)
17	5191518	PLASTIC SPACER M2.5X10
18	5053069LW	PID DISPLAY COVER
19	7816030	SCREW TCEI
20	7633354SG	SWITCH 230V ON/OFF
20	7633355SG	SWITCH 110V ON/OFF
21	7809817	SCREW M4X12
22	5343104	PID COMPLETE COVER
23	5191513	SPACER NYLON 66 L=7 MM

BEZZERA

LUCE

TABLE 6A
LUCE PID



BEZZERA

LUCE

TABLE 6A
LUCE PID

POS	CODE	DESCRIPTION
24	7665545	OPTO TIMER BOARD (PR)
25	5058513LL	SUPPORT PID CARD W/COMPASSES
25	7639915	PLASTIC SPACER M3X8
26	5053061LW	COVER OPTO TIMER (PR)
27	7816016	SCREW TCEI M3X6
28	7663641	CONNECTION CABLE CARD
29	7434026.03	TERMOSTAT TPID 110V WITHOUT DISPLAY
29	7434027.03	THERMOSTAT TPID 230/240V S/DISP
30	5058513LL	SUPPORT PID CARD W/COMPASSES
31	7822603	NUT M4 OT
32	7814001	WASHER D4 DIN 6798A A2
33	7826411	SCREW TE M4X20 UNI5739 OT

BEZZERA

LUCE

TABLE 6A
LUCE PID

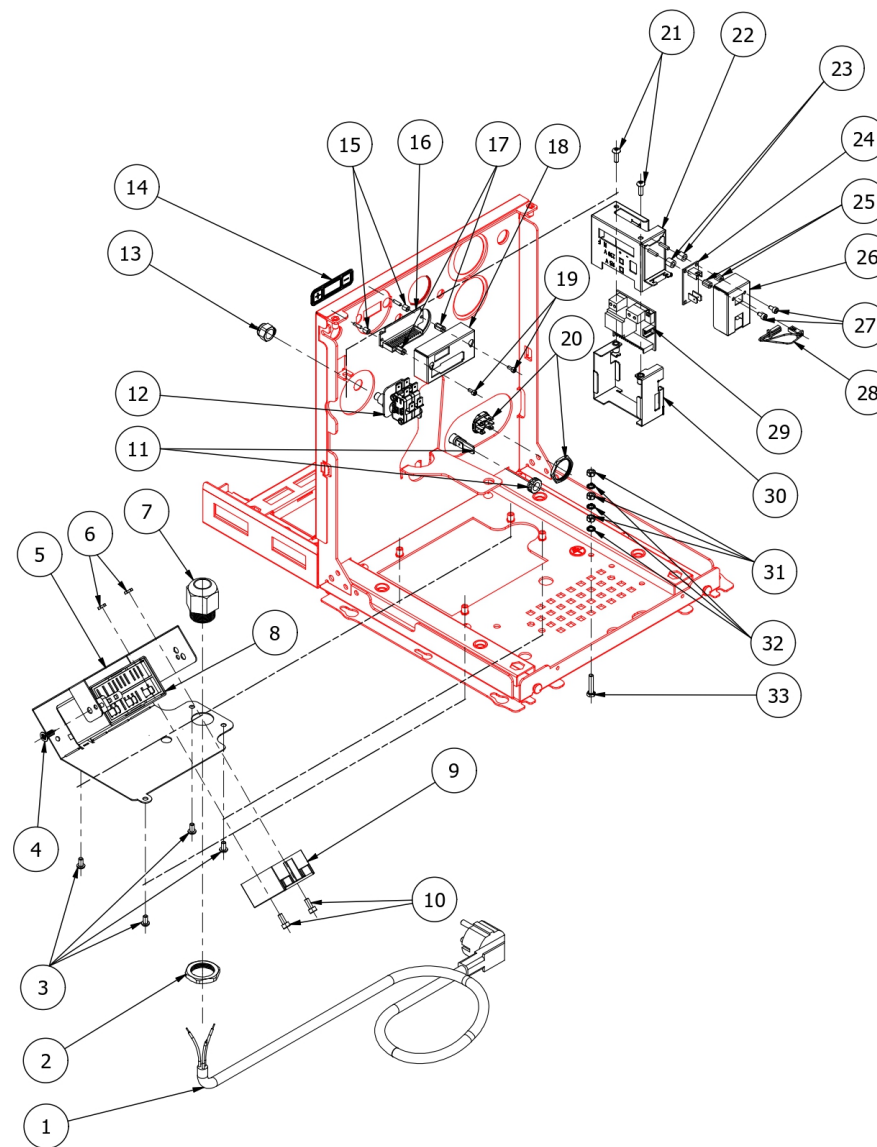


TABLE 6B

LUCE PID FAST HEATING

POS	CODE	DESCRIPTION
1	7551001	ELECTRIC CABLE WITH USA PLUG L=1.5M
1	7555007	ELECTRIC CABLE WITH CHINA PLUG
1	7552001	ELECTRIC CABLE WITH AUSTRALIAN PLUG
1	7554001	ELECTRIC CABLE WITH ENGLISH PLUG
1	7553001	CABLE ISRAELE PLUG H05VV-F 3G1.5M
1	7555001	ELECTRIC CABLE WITH SHUKO PLUG
2	7614006	NUT PG13.5
3	7819908	SCREW TTEI M4X8
4	7819404	TAPPING SCREW TPS D2.9X9.5 UNI 6952
5	5035732LW	ELECTRIC PARTS PLATE
6	7812601	INOX NUT M4 UNI5588
7	7614007	FAIRLEAD WITH HOLE RUBBER
8	7661006R	LEVEL REGULATOR 100/120V 50/60HZ
8	7661007R	LEVEL REGULATOR 220/240V 50/60HZ
9	7635424.01	RELAIS SSR FOR T.PID
10	7816009	SCREW TCEI M4X10 UNI 5931A2
11	7633628	WHITE LAMP
12	7633910.01	MICRO SWITCH 2 POLIES W/WHEEL
13	5221875CM	NUT M10X0,75
14	5661508	STAINLESS STEEL THERMOPID DISPLAY BUTTON
15	5191522	SPACER
16	7665544	TPID DISPLAY CARD WHITE (PR)
17	5191518	PLASTIC SPACER M2.5X10
18	5053069LW	PID DISPLAY COVER
19	7816030	SCREW TCEI
20	7633355SG	SWITCH 110V ON/OFF
20	7633354SG	SWITCH 230V ON/OFF
21	7809817	SCREW M4X12
22	5343104	PID COMPLETE COVER
23	5191513	SPACER NYLON 66 L=7 MM

TABLE 6B

LUCE PID FAST HEATING

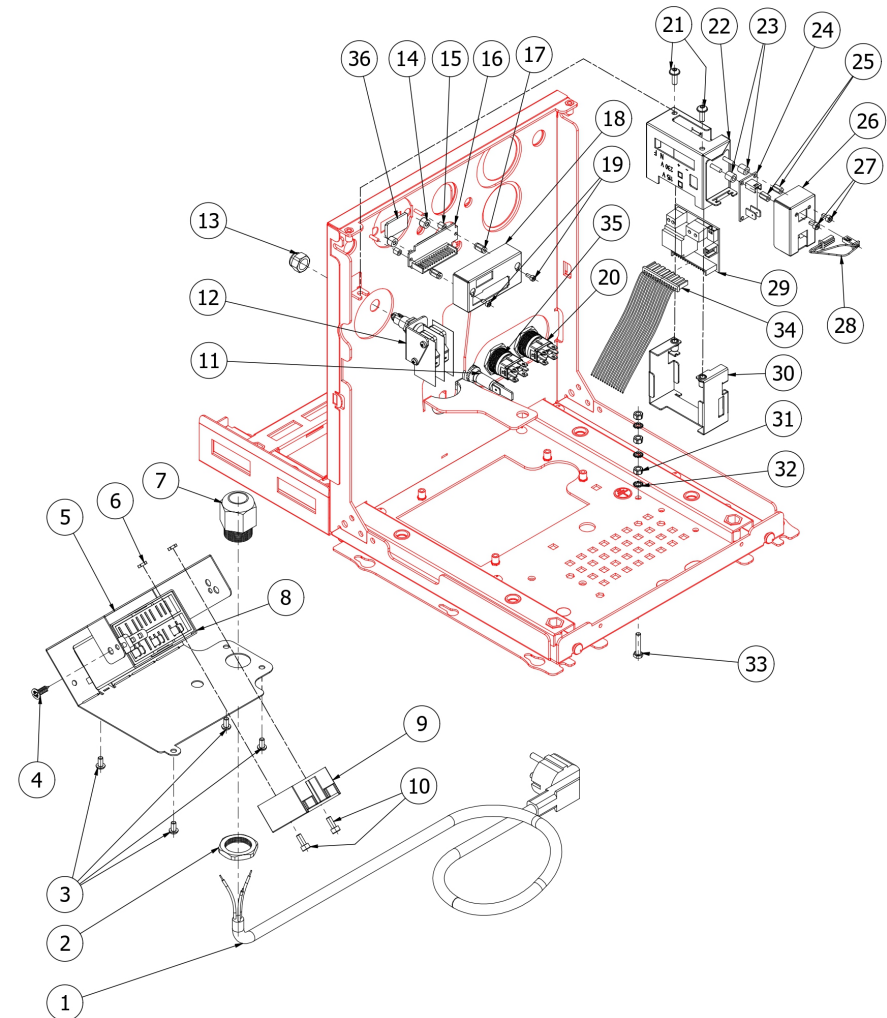


TABLE 6B

LUCE PID FAST HEATING

POS	CODE	DESCRIPTION
24	7665545	OPTO TIMER BOARD (PR)
25	7639915	PLASTIC SPACER M3X8
26	5053061LW	COVER OPTO TIMER (PR)
27	7816016	SCREW TCEI M3X6
28	7663641	CONNECTION CABLE CARD
29	7434026.03	TERMOSTAT TPID 110V WITHOUT DISPLAY
29	7434027.03	THERMOSTAT TPID 230/240V S/DISP
30	5058513LL	SUPPORT PID CARD W/COMPASSES
31	7822603	NUT M4 OT
32	7814001	WASHER D4 DIN 6798A A2
33	7826411	SCREW TE M4X20 UNI5739 OT
34	7663640	CABLE 15 VIE FEMALE L.320MM
35	7633358SG	INTERR.ANTIV.110V QN22-L FAST HEAT.
35	7633357SG	INTERR.ANTIV.230V QN22-L FAST HEAT.
36	5370046	PLEXIGLASS H3 TERMOPID FAST HEATING

TABLE 6B

LUCE PID FAST HEATING

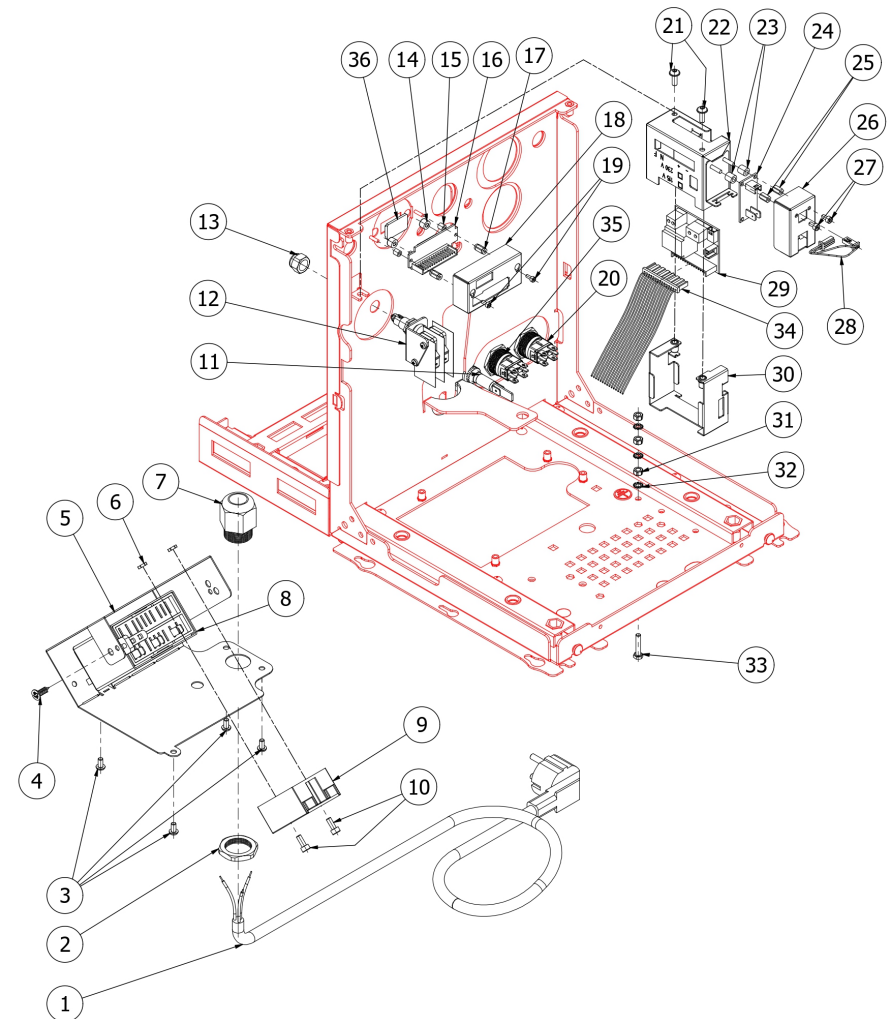
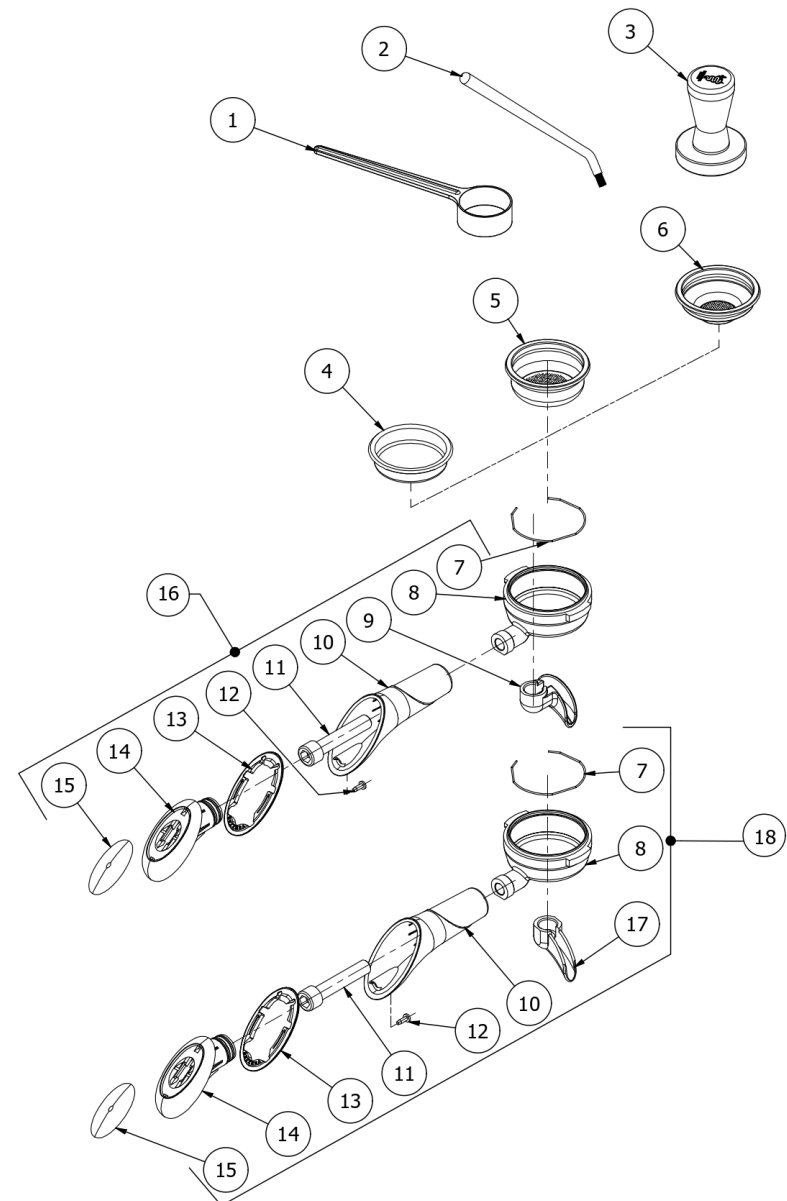


TABLE 7
LUCE

POS	CODE	DESCRIPTION
1	5372101	BLACK MEASURE
2	7990603	CLEANING BRUSH FOR COFFEE MACHINE
3	5963289.01AN	COFFEE TAMPER WITH BLACK KNOB
4	5471038	BLIND FILTER AISI304
5	5471035	FILTER 2 CUPS 20 GRAMS
6	5471031.01	FILTER 1 CUP 10 GRAMS
7	5471527	FILTER-HOLDER SPRING D1.2 AISI 302
8	7479972.01TW	RETRO FILTER-HOLDER ONLY HANDLE
9	7305007TW	SPOUT 2 WAYS WITHOUT PB+PWP
10	5371203	HANDLE
11	7816026	SCREW TCEI M12X60
12	7809810	SCREW PLAS FIX 45 TC POZI D.3,5X10
13	7493021	GASKET FOR LOGO HANDLE
14	5371204.01	CHROMED PLUG
15	5371205.01	BEZZERA VINTAGE LOGO LABEL
16	5965590.03R	ASSY FILTER-HOLDER E61 GROUP 2CUPS
17	7305006TW	SPOUT 1 WAY S/PB+PWP
18	5965588.03R	ASSY FILTER-HOLDER E61 GROUP 1CUP

TABLE 7
LUCE



G.BEZZERA S.R.L.
MACCHINE PER CAFFE' ESPRESSO
Via Luigi Bezzera,1
20088 Rosate - Milano - Italy
Tel. +39 02 90848102 r.a.
Web: www.bezzera.com
e-mail: admin@bezzera.it