



LUCE

COD. 9942081

REV. 00 ed.07/26

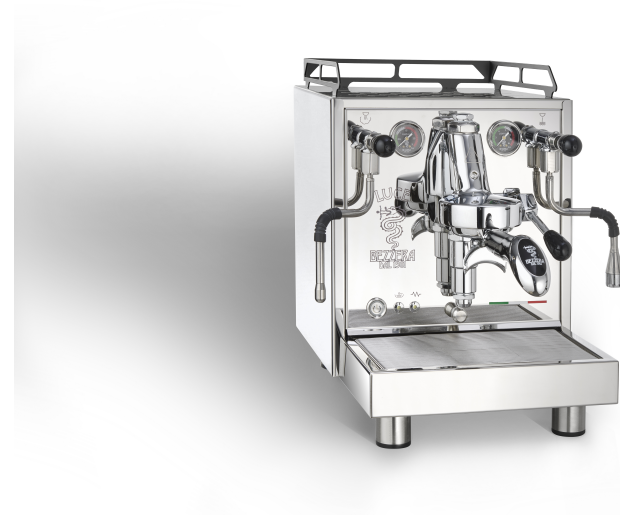


TABLE 1
LUCE

| POS | CODE | DESCRIPTION |
|-----|---------------|--|
| 1 | 5961857.01 | ASSY CUPS-HEATER BLACK FRAME LUCE |
| 2 | 5056022.01VN | CUPS-HEATER GRID PROFILE BLACK FRAME LUCE |
| 3 | 5074693.01LW | CUPS-HEATER GRID LUCE |
| 4 | 5071741LLR | BODY STAINLESS STEEL W/COMPASSES W LOGO LUCE |
| 4 | 5011727LL-YVR | LUCE MATT GREEN BODY W/COMP. W/LOGO |
| 4 | 5011727LL-YIR | LUCE MATT WHITE BODY W/COMP. W/LOGO |
| 4 | 5011727LL-VNR | LUCE MATT BLACK BODY W/COMP. W/LOGO |
| 5 | 5071741LL | BODY STAINLESS STEEL W/COMPASSES LUCE |
| 5 | 5011727LL-VN | LUCE MATT BLACK BODY W/COMPASSES |
| 5 | 5011727LL-YI | LUCE MATT WHITE BODY W/COMPASSES |
| 5 | 5011727LL-YV | LUCE MATT GREEN BODY W/COMPASSES |
| 6 | 5522523 | BEZZERA LABEL + LOGO BLACK |
| 7 | 5302029 | REDUCTION GEAR 1/4 |
| 8 | 7451506 | MINI VALVE MINI BALL 1/4-1/8 |
| 9 | 5492019 | GASKET D8 X 2 ASBESTOS FREE |
| 10 | 5221835 | CAP NUT 1/8 |
| 11 | 7809814 | SCREW TBEI M4X8 |
| 12 | 7474218 | FEET M10 D40X46 |
| 13 | 5225230NC | FITTING 3/8" G NICKEL |
| 14 | 5492022 | GASKET D25 X 17 X 2 ASBESTOS FREE |
| 16 | 5968124.01 | ASSY TRAY DUO/MATRIX W/DISCHARGE |
| 16 | 5968146.01 | ASSY TRAY BLACK DUO/MATRIX |
| 16 | 5968157.01 | ASSY MATT WHITE DRIP TRAY |
| 16 | 5968158.01 | ASSY TRAY GREEN DUO/MATRIX |
| 17 | 5221826 | NUT 3/8 |
| 18 | 5968159.01R | ASSY DRIP TRAY BLACK + ADHESIVE |
| 18 | 5968160.01R | ASSY DRIP TRAY WHITE + ADHESIVE |
| 18 | 5968161.01R | ASSY DRIP TRAY GREEN + ADHESIVE |
| 18 | 5968127.01R | ASSY TRAY DUO / MATRIX + PTFE |
| 19 | 7823001 | DOWEL EI 1/8 |

TABLE 1
LUCE

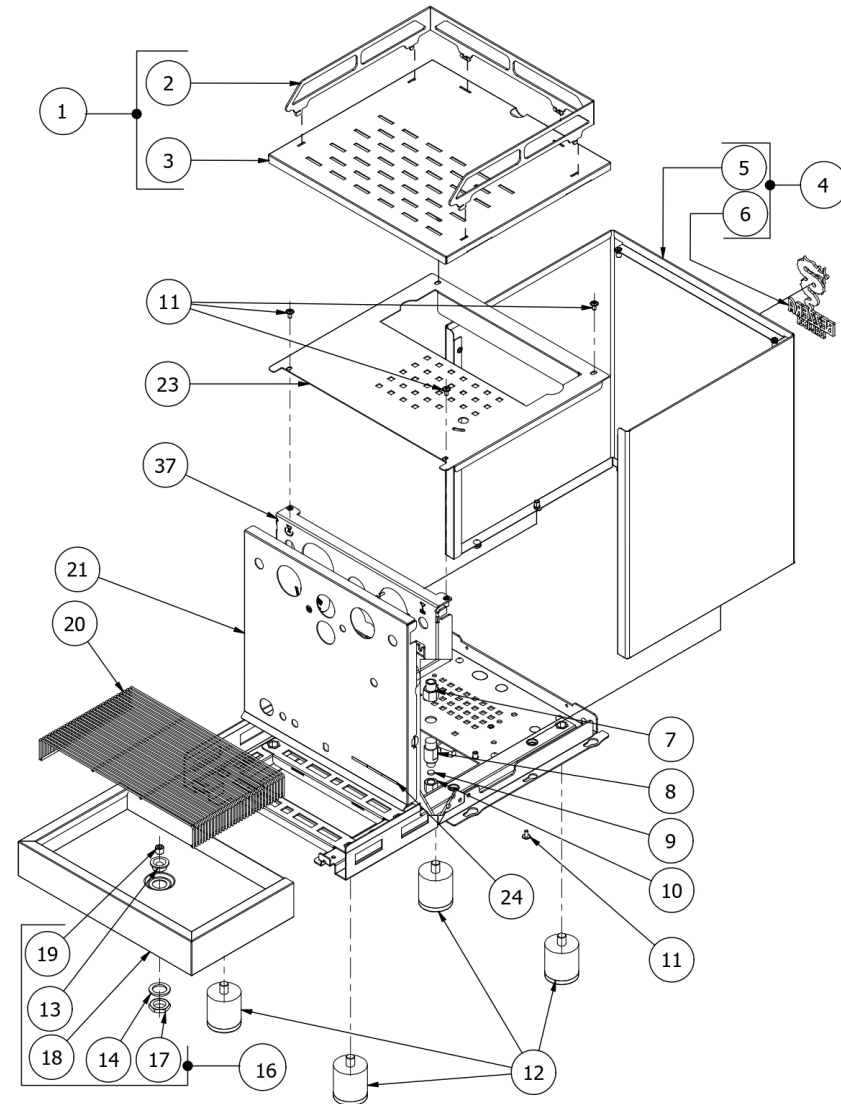
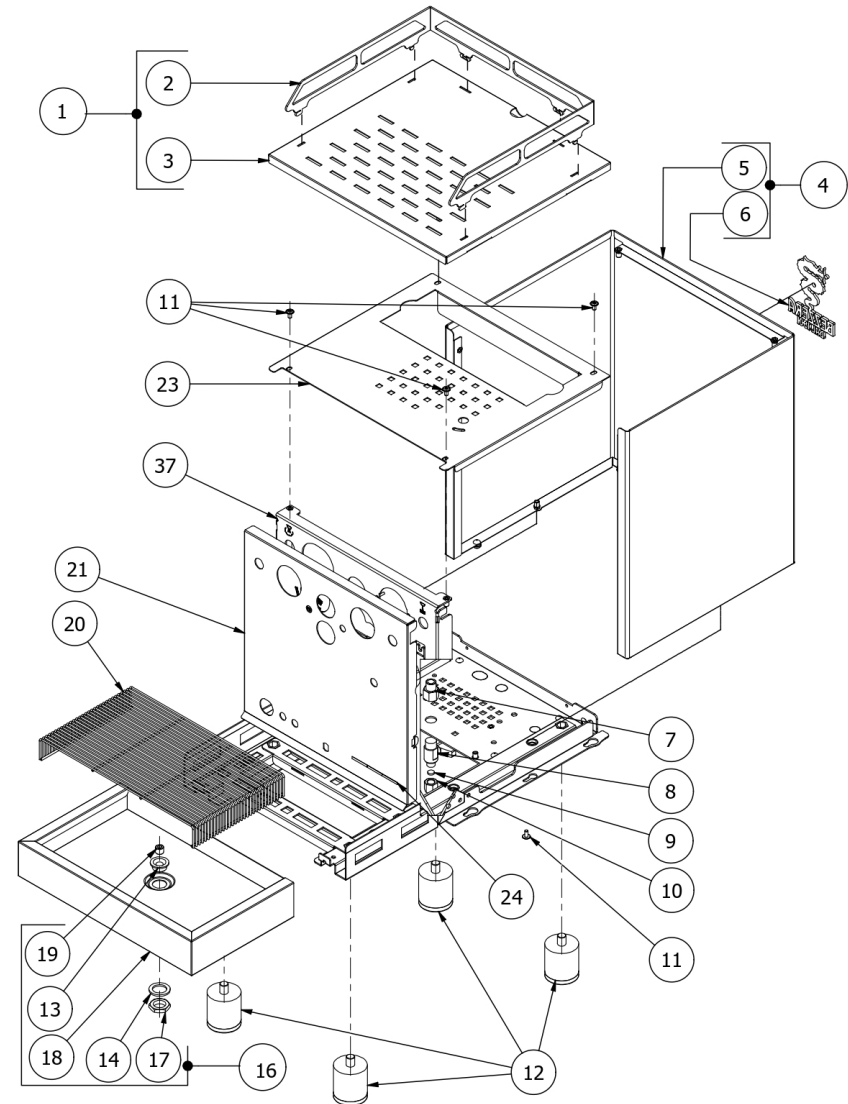


TABLE 1
LUCE

| POS | CODE | DESCRIPTION |
|-----|--------------|--------------------------------|
| 20 | 5261013 | WIRE DISCHARGE GRID DUO/MATRIX |
| 21 | 5074934SG | FRONTAL GROUP LUCE |
| 22 | 5964797.01 R | ASSY TANK FRAME LUCE |
| 23 | 5056364.01LW | CUPS-HEATER LUCE |
| 24 | 5521556 | ITALY FLAG ADHESIVE 3,5" |

TABLE 1
LUCE



BEZZERA

LUCE

TABLE 1A
LUCE PID

| POS | CODE | DESCRIPTION |
|-----|---------------|--|
| 1 | 5961857.01 | ASSY CUPS-HEATER BLACK FRAME LUCE |
| 2 | 5056022.01VN | CUPS-HEATER GRID PROFILE BLACK FRAME LUCE |
| 3 | 5074693.01LW | CUPS-HEATER GRID LUCE |
| 4 | 5011727LL-YVR | LUCE MATT GREEN BODY W/COMP. W/LOGO |
| 4 | 5011727LL-YIR | LUCE MATT WHITE BODY W/COMP. W/LOGO |
| 4 | 5011727LL-VNR | LUCE MATT BLACK BODY W/COMP. W/LOGO |
| 4 | 5071741LLR | BODY STAINLESS STEEL W/COMPASSES W LOGO LUCE |
| 5 | 5071741LL | BODY STAINLESS STEEL W/COMPASSES LUCE |
| 5 | 5011727LL-VN | LUCE MATT BLACK BODY W/COMPASSES |
| 5 | 5011727LL-YI | LUCE MATT WHITE BODY W/COMPASSES |
| 5 | 5011727LL-YV | LUCE MATT GREEN BODY W/COMPASSES |
| 6 | 5522523 | BEZZERA LABEL + LOGO BLACK |
| 7 | 5302029 | REDUCTION GEAR 1/4 |
| 8 | 7451506 | MINI VALVE MINI BALL 1/4-1/8 |
| 9 | 5492019 | GASKET D8 X 2 ASBESTOS FREE |
| 10 | 5221835 | CAP NUT 1/8 |
| 11 | 7809814 | SCREW TBEI M4X8 |
| 12 | 7474218 | FEET M10 D40X46 |
| 13 | 5225230NC | FITTING 3/8" G NICKEL |
| 14 | 5492022 | GASKET D25 X 17 X 2 ASBESTOS FREE |
| 16 | 5968124.01 | ASSY TRAY DUO/MATRIX W/DISCHARGE |
| 16 | 5968146.01 | ASSY TRAY BLACK DUO/MATRIX |
| 16 | 5968157.01 | ASSY MATT WHITE DRIP TRAY |
| 16 | 5968158.01 | ASSY TRAY GREEN DUO/MATRIX |
| 17 | 5221826 | NUT 3/8 |
| 18 | 5968159.01R | ASSY DRIP TRAY BLACK + ADHESIVE |
| 18 | 5968160.01R | ASSY DRIP TRAY WHITE + ADHESIVE |
| 18 | 5968161.01R | ASSY DRIP TRAY GREEN + ADHESIVE |
| 18 | 5968127.01R | ASSY TRAY DUO / MATRIX + PTFE |
| 19 | 7823001 | DOWEL EI 1/8 |

BEZZERA

LUCE

TABLE 1A
LUCE PID

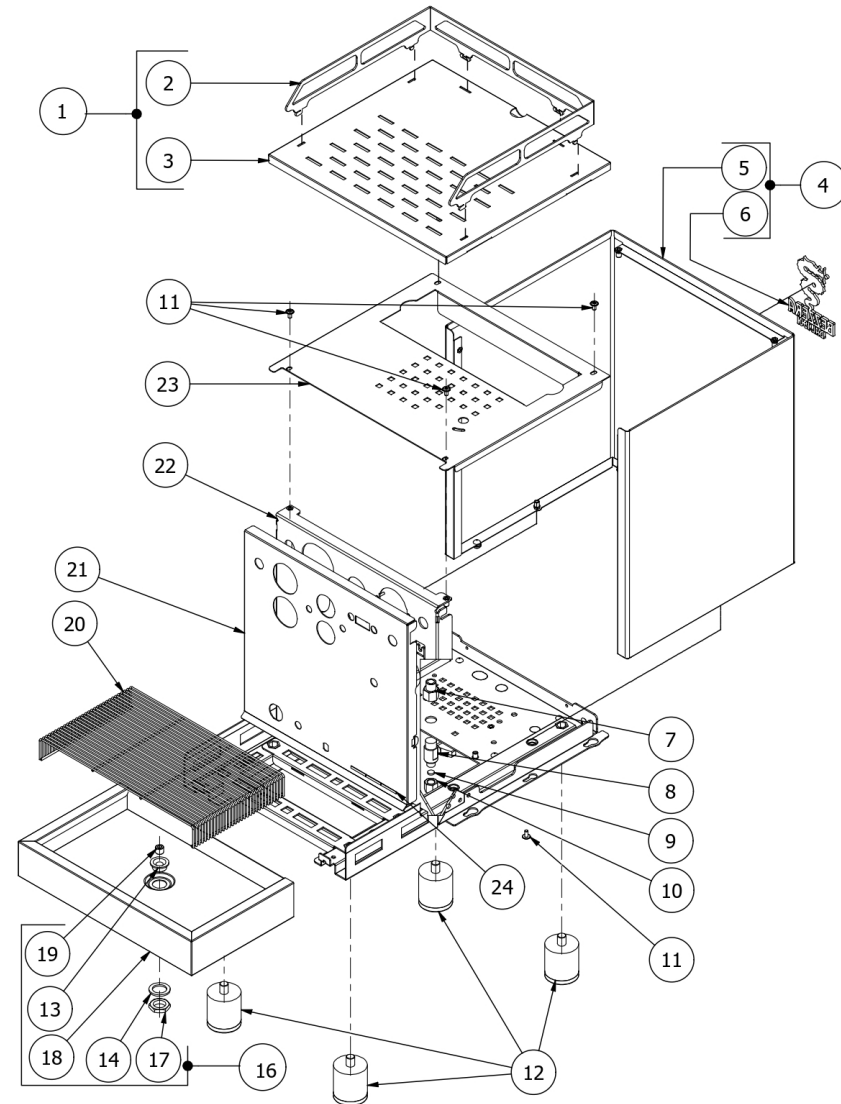
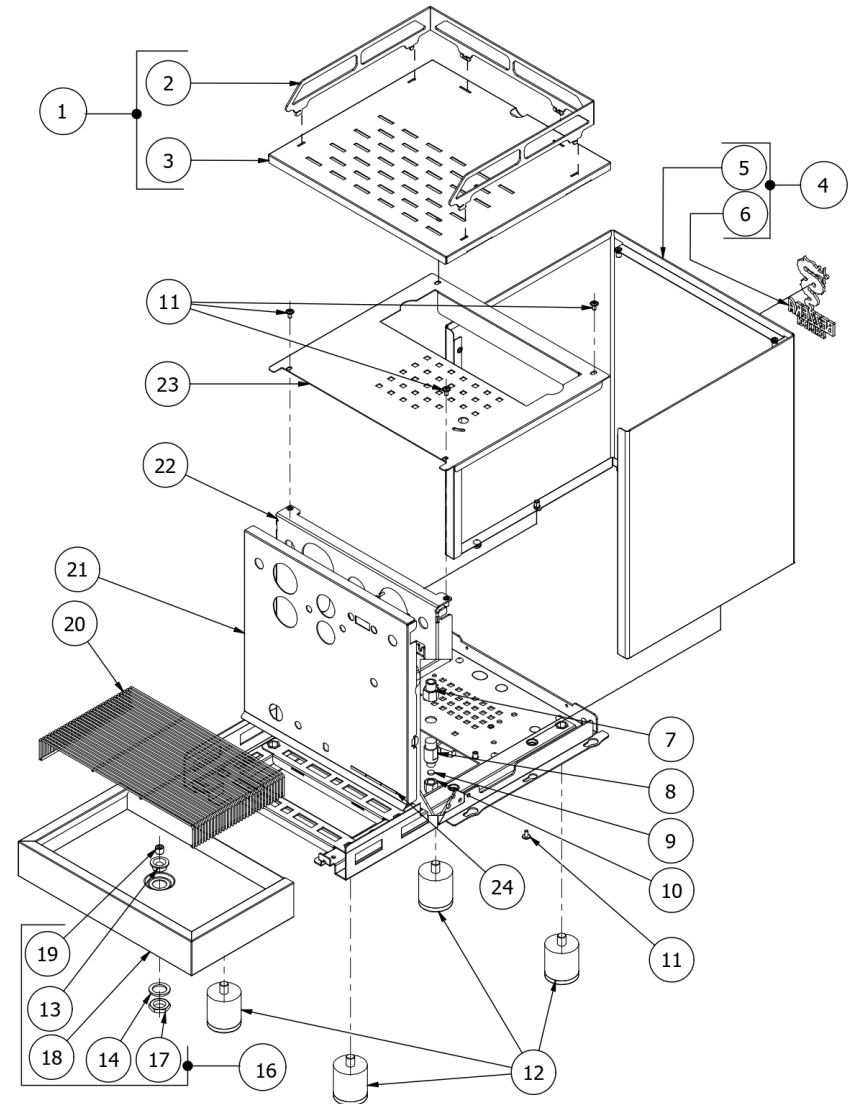


TABLE 1A
LUCE PID

| POS | CODE | DESCRIPTION |
|-----|--------------|--------------------------------|
| 20 | 5261013 | WIRE DISCHARGE GRID DUO/MATRIX |
| 21 | 5074933SG1 | FRONTAL GROUP LUCE PID |
| 22 | 5964797.01R | ASSY TANK FRAME LUCE |
| 23 | 5056364.01LW | CUPS-HEATER LUCE |
| 24 | 5521556 | ITALY FLAG ADHESIVE 3,5" |

TABLE 1A
LUCE PID



BEZZERA

LUCE

TABLE 1B
LUCE PID FAST HEATING

| POS | CODE | DESCRIPTION |
|-----|---------------|--|
| 1 | 5961857.01 | ASSY CUPS-HEATER BLACK FRAME LUCE |
| 2 | 5056022.01VN | CUPS-HEATER GRID PROFILE BLACK FRAME LUCE |
| 3 | 5074693.01LW | CUPS-HEATER GRID LUCE |
| 4 | 5011727LL-YVR | LUCE MATT GREEN BODY W/COMP. W/LOGO |
| 4 | 5011727LL-YIR | LUCE MATT WHITE BODY W/COMP. W/LOGO |
| 4 | 5011727LL-VNR | LUCE MATT BLACK BODY W/COMP. W/LOGO |
| 4 | 5071741LLR | BODY STAINLESS STEEL W/COMPASSES W LOGO LUCE |
| 5 | 5011727LL-VN | LUCE MATT BLACK BODY W/COMPASSES |
| 5 | 5011727LL-YI | LUCE MATT WHITE BODY W/COMPASSES |
| 5 | 5011727LL-YV | LUCE MATT GREEN BODY W/COMPASSES |
| 5 | 5071741LL | BODY STAINLESS STEEL W/COMPASSES LUCE |
| 6 | 5522523 | BEZZERA LABEL + LOGO BLACK |
| 7 | 5302029 | REDUCTION GEAR 1/4 </td |
| 8 | 7451506 | MINI VALVE MINI BALL 1/4-1/8 |
| 9 | 5492019 | GASKET D8 X 2 ASBESTOS FREE |
| 10 | 5221835 | CAP NUT 1/8 |
| 11 | 7809814 | SCREW TBEI M4X8 |
| 12 | 7474218 | FEET M10 D40X46 |
| 13 | 5225230NC | FITTING 3/8" G NICKEL |
| 14 | 5492022 | GASKET D25 X 17 X 2 ASBESTOS FREE |
| 16 | 5968124 | ASSY TRAY DUO/MATRIX W/DISCHARGE |
| 16 | 5968146 | ASSY TRAY BLACK DUO/MATRIX |
| 16 | 5968157 | ASSY MATT WHITE DRIP TRAY |
| 16 | 5968158 | ASSY TRAY GREEN DUO/MATRIX |
| 17 | 5221826 | NUT 3/8 |
| 18 | 5968127R | ASSY TRAY DUO / MATRIX + PTFE |
| 18 | 5968159R | ASSY DRIP TRAY BLACK + ADHESIVE |
| 18 | 5968160R | ASSY DRIP TRAY WHITE + ADHESIVE |
| 18 | 5968161R | ASSY DRIP TRAY GREEN + ADHESIVE |
| 19 | 7823001 | DOWEL EI 1/8 |

BEZZERA

LUCE

TABLE 1B
LUCE PID FAST HEATING

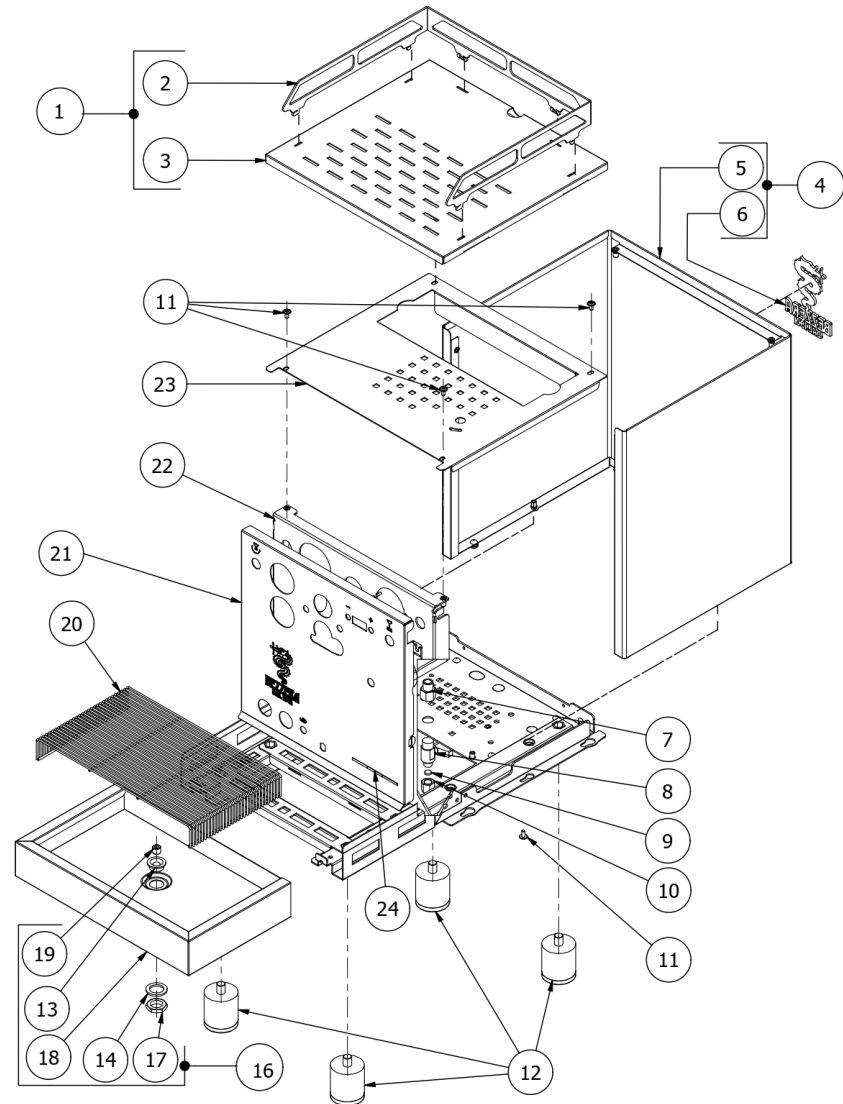


TABLE 1B
LUCE PID FAST HEATING

| POS | CODE | DESCRIPTION |
|-----|--------------|------------------------------------|
| 20 | 5261013 | WIRE DISCHARGE GRID DUO/MATRIX |
| 21 | 5074947SG | FRONTALGROUP LUCE PID FAST HEATING |
| 22 | 5964797.02R | LUCE ASSY FRAME TANK FAST HEATING |
| 23 | 5056364.01LW | CUPS-HEATER LUCE |
| 24 | 5521556 | ITALY FLAG ADHESIVE 3,5" |

TABLE 1B
LUCE PID FAST HEATING

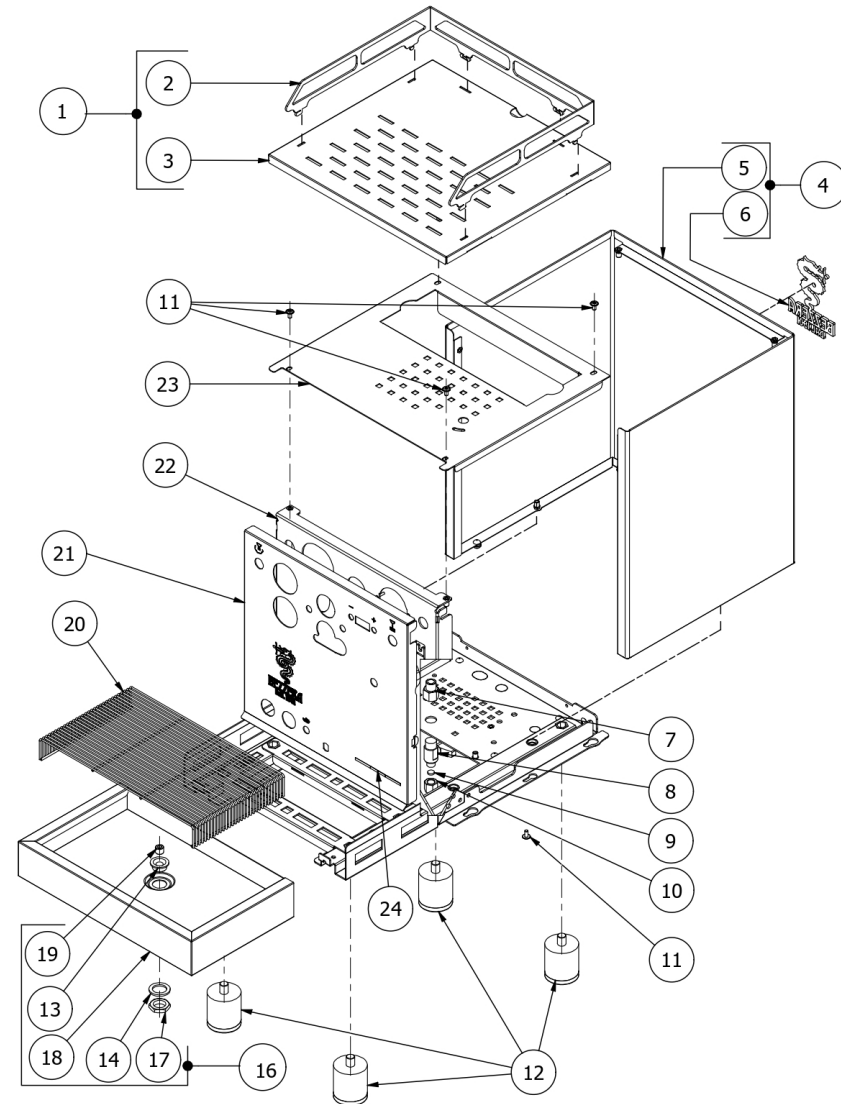


TABLE 2
LUCE

| POS | CODE | DESCRIPTION |
|-----|--------------|-------------------------------------|
| 1 | 7374002 | FILTER 1/4 |
| 2 | 7496076 | GASKET OR 112 EP856 80SH |
| 3 | 5963345 | ASSY TANK W/FITTING |
| 4 | 5058463.04LL | TANK SUPPORT W/COMPASSES |
| 5 | 7812402 | NUT M3 UNI7473 A2 SELF-LOCKING INOX |
| 6 | 7666011 | TANK SENSOR |
| 7 | 5191510 | SPACER |
| 8 | 7474212 | ADHESIVE FEET |
| 10 | 5375304 | PLASTIC NUT |
| 11 | 5375300 | PIPE FOR TANK W/RUBBER-HOLDER |
| 12 | 7611512 | CLAMP |
| 13 | 7611516 | CLAMP 10086 |
| 14 | 5194529 | PIPE L=150MM |
| 15 | 7303039 | FITTING |
| 16 | 5194715 | PIPE L=300MM |
| 17 | 7432523.02 | PRESSURE GAUGE D40 16BAR TRICOLOUR |
| 18 | 7815003 | PLAIN WASHER D5 UNI 6592 A2 |
| 19 | 7816004 | SCREW TCEI M4X16 A2 |
| 20 | 5162572.01LL | L/A-SURPRESSION VALVE PIPE |
| 21 | 5162573.01LL | VALVE-EXCHANGER SHAPED PIPE |
| 22 | 5162567LL | LOAD PIPE |
| 23 | 7304544TR | FITTING 1/8"G |
| 24 | 7303063TR | ELBOW FITTING BODY 1/8" |
| 25 | 5194596.01LL | ASSY PTFE PIPE 4X110 |
| 26 | 7702415.01 | EV.2 WAY 240V 25BAR SMALL COIL |
| 26 | 7702322.01 | EV.2WAY OLAB 220/230V 25BAR SMALL |
| 26 | 7701123.01 | EV.2 WAY 110V 25BAR SMALL COIL |
| 27 | 5301504AL | ELBOW FITTING M12X1/8 |
| 29 | 7634816 | THERMIC SAFETY DEV.AUT.PUMP 100° |
| 30 | 7731027.01 | VIBRATION PUMP PLUS 240V 50HZ OT57 |

TABLE 2
LUCE

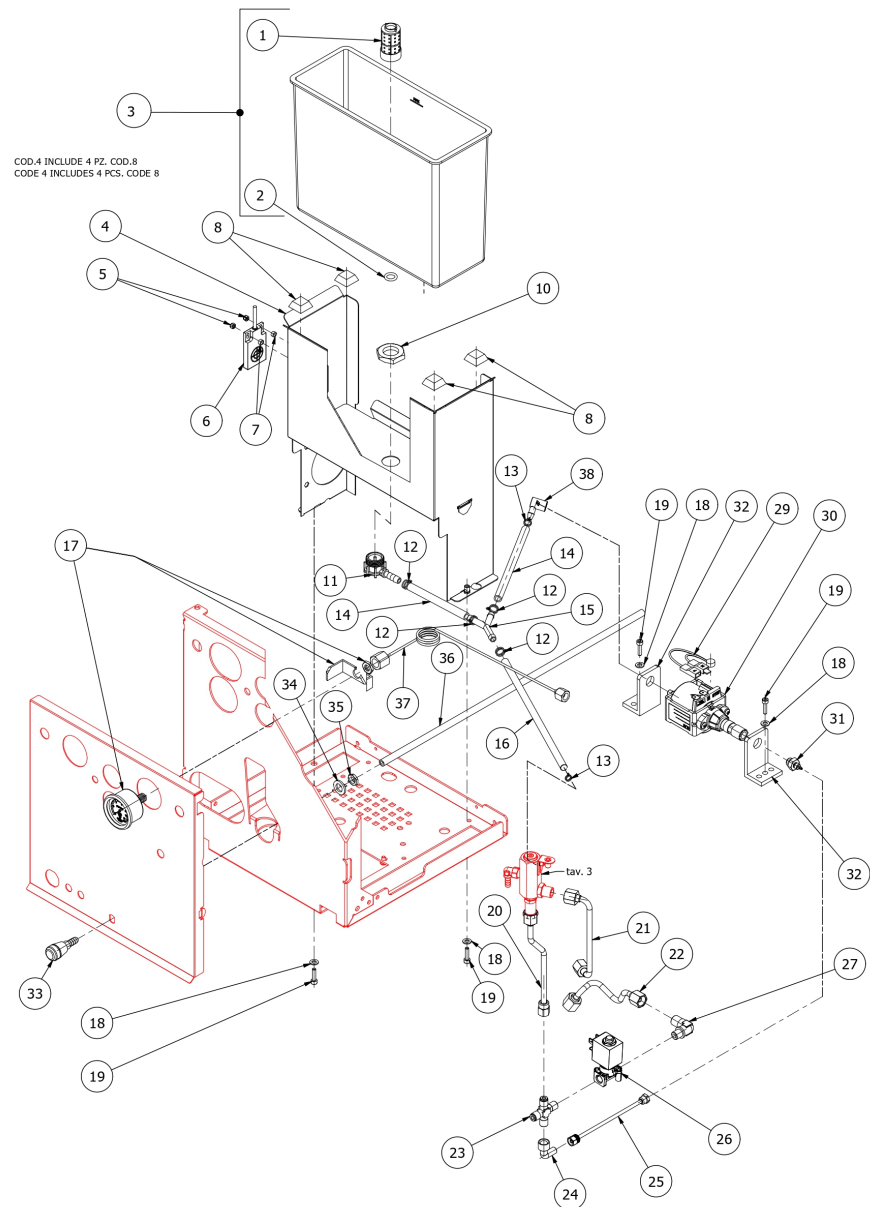


TABLE 2
LUCE

| POS | CODE | DESCRIPTION |
|-----|------------|-------------------------------------|
| 30 | 7731024.01 | VIBRATION PUMP PLUS 120V 60HZ OT57 |
| 30 | 7731023.01 | VIBRATION PUMP OL PLUS 230V 50HZ OT |
| 31 | 7303057 | STRAIGHT FITTING BODY M1/8 |
| 32 | 7470602 | VIBRATION-DAMPING |
| 33 | 5283062 | CONICAL DISCHARGE FITTING |
| 34 | 7815001 | WASHER D10 UNI 6592 A2 |
| 35 | 5221844 | NUT 1/8 |
| 36 | 5194709 | SILICON PIPE |
| 37 | 7400910 | BOILER CAPILLARY PID VERSION |
| 38 | 7303006 | RUBBER-HOLDER FITTING |

TABLE 2
LUCE

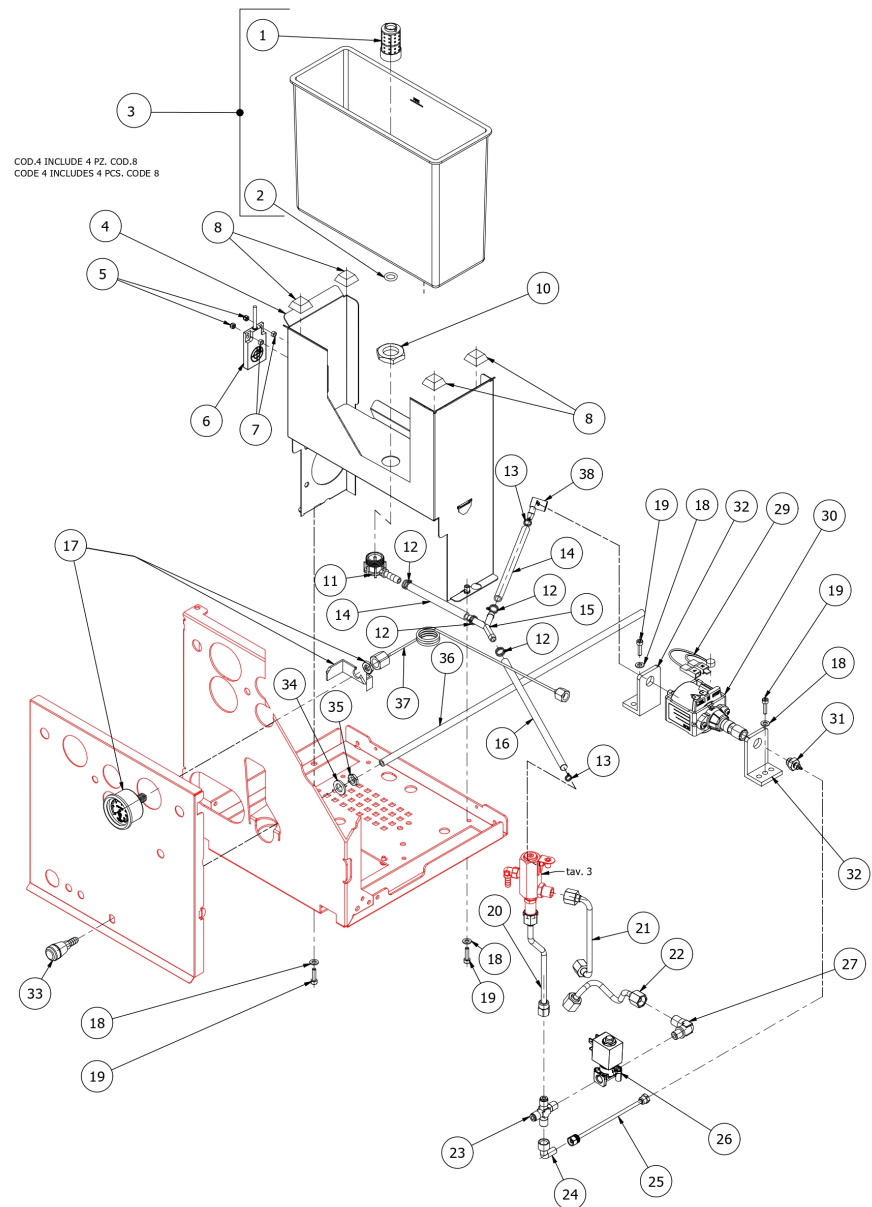


TABLE 2A
LUCE PID

| POS | CODE | DESCRIPTION |
|-----|--------------|-------------------------------------|
| 1 | 7374002 | FILTER 1/4 |
| 2 | 7496076 | GASKET OR 112 EP856 80SH |
| 3 | 5963345 | ASSY TANK W/FITTING |
| 4 | 5058463.04LL | TANK SUPPORT W/COMPASSES |
| 5 | 7812402 | NUT M3 UNI7473 A2 SELF-LOCKING INOX |
| 6 | 7666011 | TANK SENSOR |
| 7 | 5191510 | SPACER |
| 8 | 7474212 | ADHESIVE FEET |
| 10 | 5375304 | PLASTIC NUT |
| 11 | 5375300 | PIPE FOR TANK W/RUBBER-HOLDER |
| 12 | 7611512 | CLAMP |
| 13 | 7611516 | CLAMP 10086 |
| 14 | 5194529 | PIPE L=150MM |
| 15 | 7303039 | FITTING |
| 16 | 5194715 | PIPE L=300MM |
| 17 | 7432523.02 | PRESSURE GAUGE D40 16BAR TRICOLOUR |
| 18 | 7815003 | PLAIN WASHER D5 UNI 6592 A2 |
| 19 | 7816004 | SCREW TCEI M4X16 A2 |
| 20 | 5162572.01LL | L/A-SURPRESSION VALVE PIPE |
| 21 | 5162573.01LL | VALVE-EXCHANGER SHAPED PIPE |
| 22 | 5162567LL | LOAD PIPE |
| 23 | 7304544TR | FITTING 1/8"G |
| 24 | 7303063TR | ELBOW FITTING BODY 1/8" |
| 25 | 5194596.01LL | ASSY PTFE PIPE 4X110 |
| 26 | 7702415.01 | EV.2 WAY 240V 25BAR SMALL COIL |
| 26 | 7702322.01 | EV.2WAY OLAB 220/230V 25BAR SMALL |
| 26 | 7701123.01 | EV.2 WAY 110V 25BAR SMALL COIL |
| 27 | 5301504AL | ELBOW FITTING M12X1/8 |
| 29 | 7634816 | THERMIC SAFETY DEV.AUT.PUMP 100° |
| 30 | 7731023.01 | VIBRATION PUMP OL PLUS 230V 50HZ OT |

TABLE 2A
LUCE PID

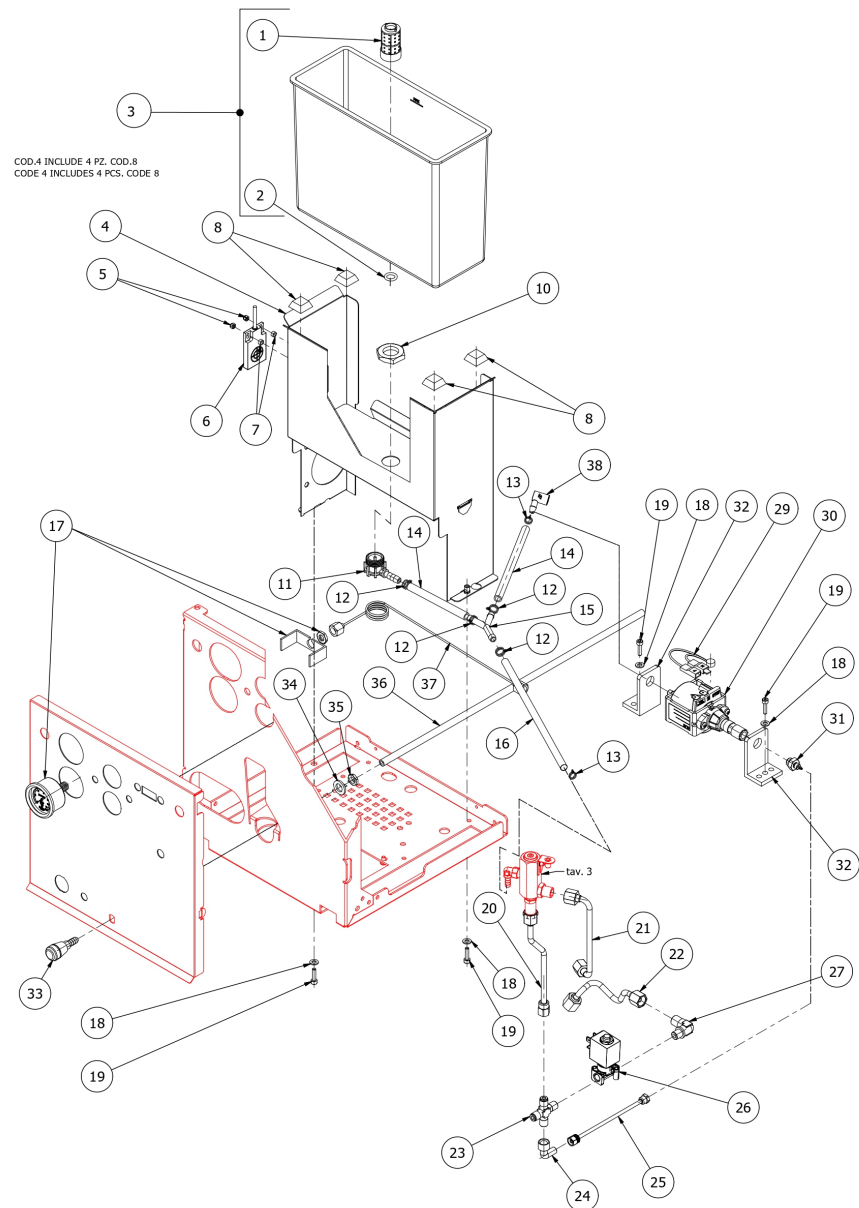


TABLE 2A
LUCE PID

| POS | CODE | DESCRIPTION |
|-----|------------|------------------------------------|
| 30 | 7731027.01 | VIBRATION PUMP PLUS 240V 50HZ OT57 |
| 30 | 7731024.01 | VIBRATION PUMP PLUS 120V 60HZ OT57 |
| 31 | 7303057 | STRAIGHT FITTING BODY M1/8 |
| 32 | 7470602 | VIBRATION-DAMPING |
| 33 | 5283062 | CONICAL DISCHARGE FITTING |
| 34 | 7815001 | WASHER D10 UNI 6592 A2 |
| 35 | 5221844 | NUT 1/8 |
| 36 | 5194709 | SILICON PIPE |
| 37 | 7400909 | PUMP CAPILLARY |
| 38 | 7303006 | RUBBER-HOLDER FITTING |

TABLE 2A
LUCE PID

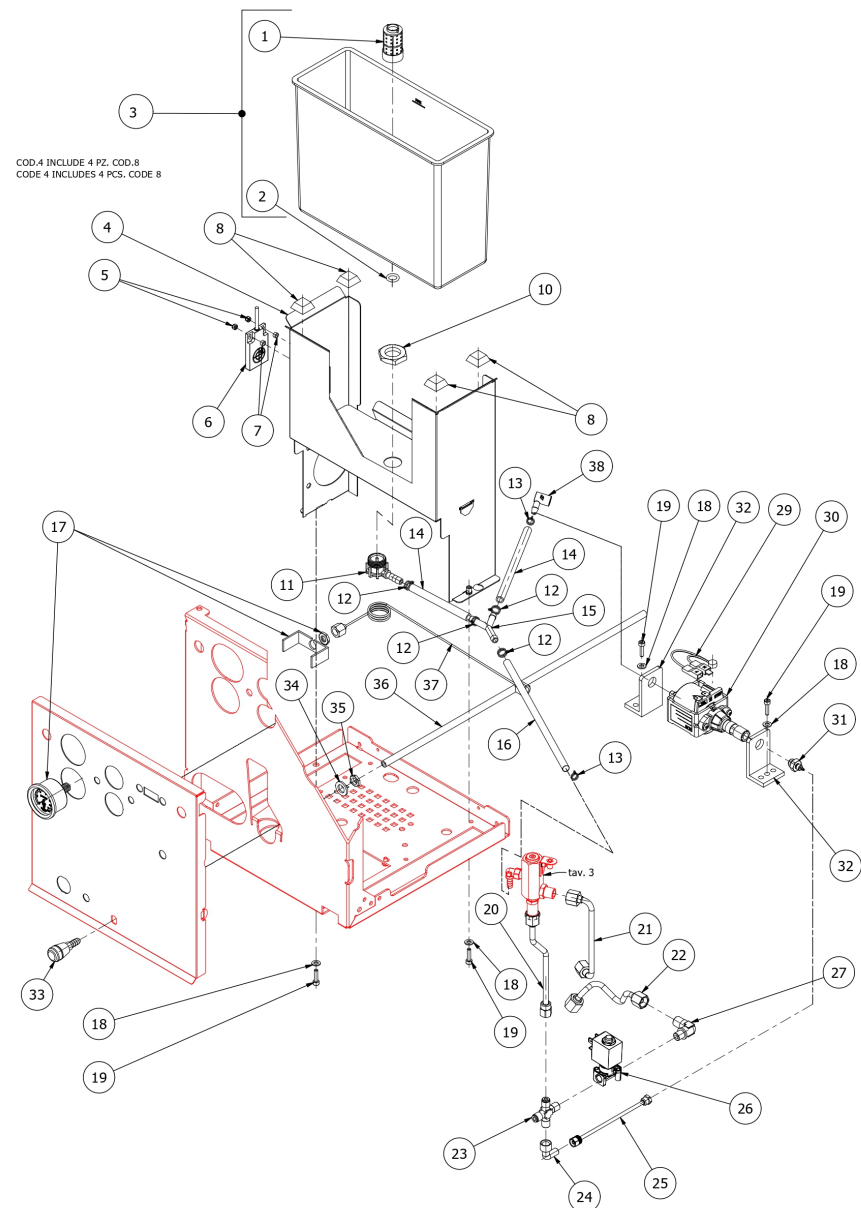


TABLE 3 - (from 01/07/2026)

LUCE

| POS | CODE | DESCRIPTION |
|-----|------------|---|
| 1 | 5302094AL | SUPPRESSION VALVE RUBBER-HOLDER FITTING |
| 2 | 7496052 | OR GASKET 114 VITON |
| 3 | 5471550 | SURPRESSION VALVE SPRING |
| 4 | 5493062 | PLUG GASKET OF VALVE SILICONE |
| 5 | 5283068AL | SURPRESSION VALVE BODY |
| 6 | 5370315TR | RUBBER-HOLDER 1/8' CONICAL |
| 7 | 5302006AL | FITTING M12X1/8 |
| 8 | 7304560TR | VALVE 14BAR 1/8' |
| 10 | 5078436LL | VALVE SQUARE SUPPORT W/COMPASSES |
| 11 | 7815005 | FLAT WASHER D4.5X12 A2 AISI304 |
| 12 | 7816017 | SCREW TCEI M4X6 |
| 13 | 5968526.01 | ASSY SURPRESSION VALVE |

TABLE 3 - (from 01/07/2026)

LUCE

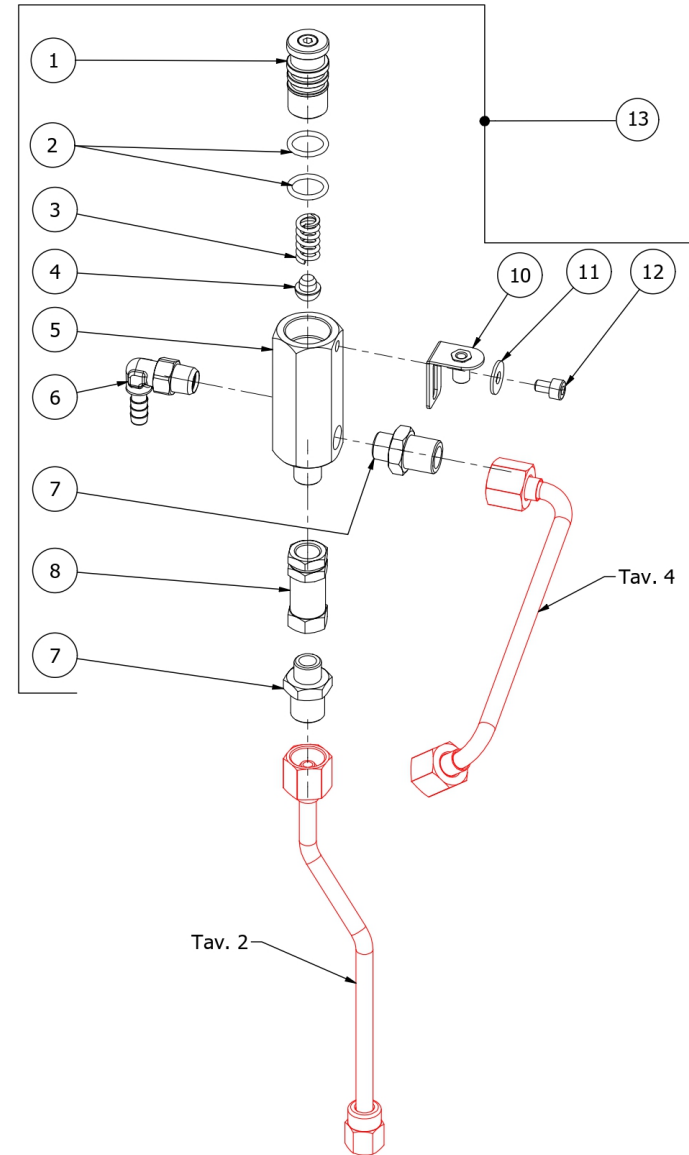
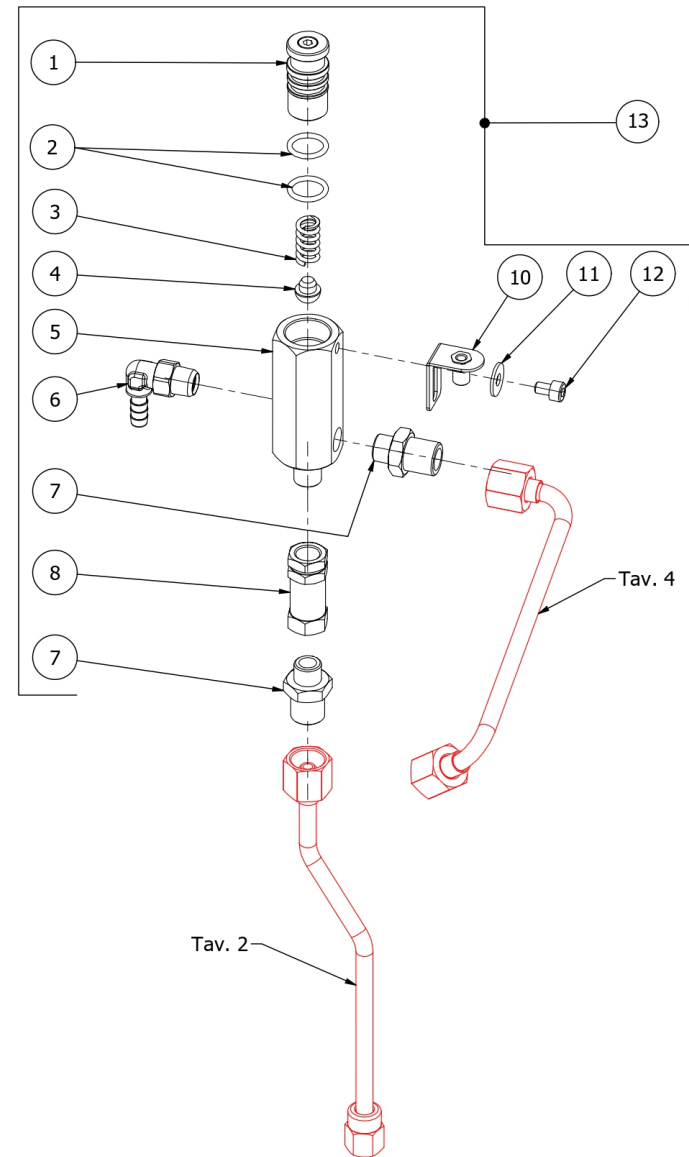


TABLE 3 - (up to 30/06/2026)
LUCE

| POS | CODE | DESCRIPTION |
|-----|-----------|--|
| 1 | 5302094AL | SUPRESSION VALVE RUBBER-HOLDER FITTING |
| 2 | 7496052 | OR GASKET 114 VITON |
| 3 | 5471550 | SURPRESSION VALVE SPRING |
| 4 | 5493021 | PLUG GASKET OF VALVE SILICONE |
| 5 | 5283068AL | SURPRESSION VALVE BODY |
| 6 | 5370315TR | RUBBER-HOLDER 1/8' CONICAL |
| 7 | 5302006AL | FITTING M12X1/8 |
| 8 | 7304560TR | VALVE 14BAR 1/8' |
| 10 | 5078436LL | VALVE SQUARE SUPPORT W/COMPASSES |
| 11 | 7815005 | FLAT WASHER D4.5X12 A2 AISI304 |
| 12 | 7816017 | SCREW TCEI M4X6 |
| 13 | 5968526 | ASSY SURPRESSION VALVE |

TABLE 3 - (up to 30/06/2026)
LUCE



BEZZERA

LUCE

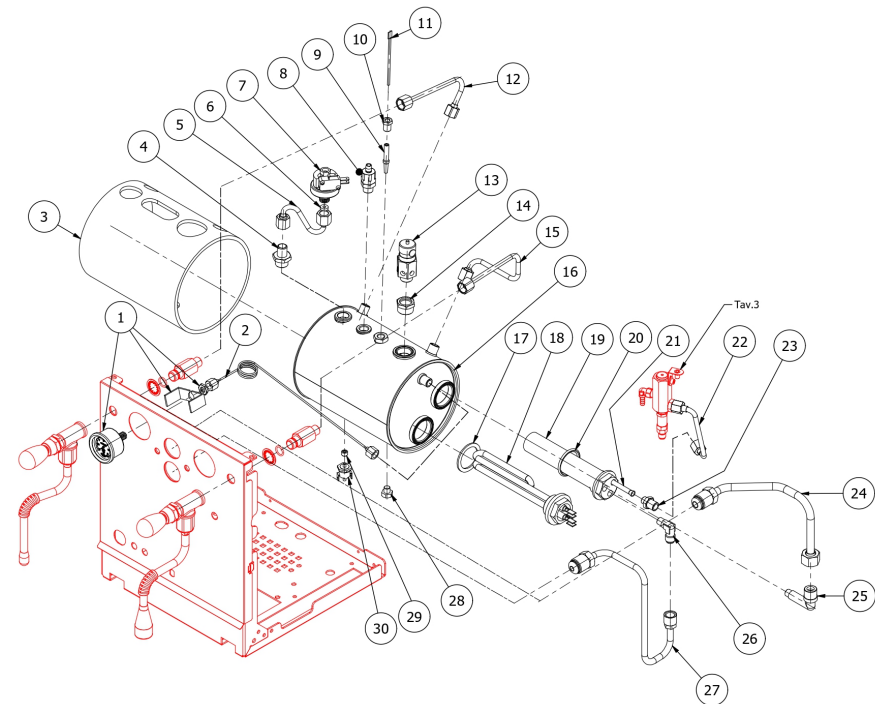
TABLE 4 - (up to 06/10/2025)
LUCE

| POS | CODE | DESCRIPTION |
|-----|--------------|--|
| 1 | 7432522.02 | PRESSURE GAUGE D40 3BAR TRICOLOUR |
| 2 | 7400910 | BOILER CAPILLARY PID VERSION |
| 3 | 9991035 | BOILER COVER |
| 4 | 5302005AL | FITTING M13X3/8 |
| 5 | 5162568LL | PRESSOSTAT PIPE |
| 6 | 5492028 | GASKET D10.5X4X3 |
| 7 | 7433013 | PRESSOSTAT XP/100 1/4 |
| 8 | 7452511.02 | VALVE ANTIDEPRESSION W/RUBBER- |
| 9 | 5192001 | PROBE SHEATH D8 X 45 HOLE D3 PTFE |
| 10 | 5225205 | STRAIGHT FITTING M10 OT |
| 11 | 5265826 | LEVEL PROBE |
| 12 | 5900033 | STEAM HOSE AND FITTING KIT – SOLE LUCE |
| 13 | 7452509.02 | SAFETY VALVE 3/8 |
| 14 | 5225413AL | REDUCTION 1/2 |
| 15 | 5900032 | WATER HOSE AND FITTING KIT – SOLE LUCE |
| 16 | 5320509BL | BOILER |
| 17 | 5492025 | GASKET D42X32X2 PTFE |
| 18 | 5722240.01AL | HEATING ELEMENT 220/240V-1250/1450W |
| 18 | 5721127AL | COPPER HEATING ELEMENT 110V 1350W |
| 19 | 5329020DC-AL | EXCHANGER 3 HOLES L=1440 MAG-MIT. |
| 20 | 5495007 | COPPER GASKET D32X40 |
| 21 | 5192301 | SUCTION D6X1 L=130MM PTFE |
| 22 | 5162573.01LL | VALVE-EXCHANGER PIPE |
| 23 | 5302006AL | FITTING M12X1/8 |
| 24 | 5164067.01LL | UPPER HEATING HOSE |
| 25 | 5301521TR | UNION ELBOW 1/8 |
| 26 | 5301520TR | UNION ELBOW MM 1/8 |
| 27 | 5163204LL | BOTTOM HEATING HOSE |
| 28 | 5227012 | SCREW TE M8X7.5 |
| 29 | 5227007 | DOWEL M8 X 6 HOLE M4 OT |

BEZZERA

LUCE

TABLE 4 - (up to 06/10/2025)
LUCE



BEZZERA**LUCE**

TABLE 4 - (up to 06/10/2025)

LUCE

| POS | CODE | DESCRIPTION |
|-----|---------|-----------------------------|
| 30 | 7434009 | THERMOSTAT MANUAL 16A 135°C |

BEZZERA**LUCE**

TABLE 4 - (up to 06/10/2025)

LUCE

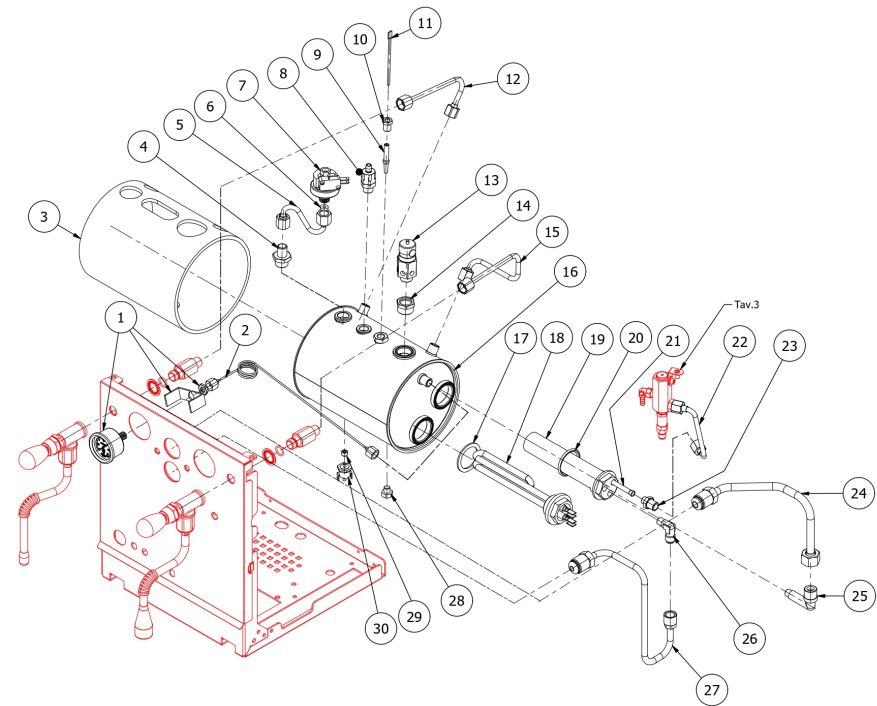


TABLE 4 - (from 07/10/2025)
LUCE

| POS | CODE | DESCRIPTION |
|-----|--------------|-------------------------------------|
| 1 | 7432522.02 | PRESSURE GAUGE D40 3BAR TRICOLOUR |
| 2 | 7400909 | PUMP CAPILLARY |
| 3 | 9991035 | BOILER COVER |
| 4 | 5302005AL | FITTING M13X3/8 |
| 5 | 5162568LL | PRESSOSTAT PIPE |
| 6 | 5492028 | GASKET D10.5X4X3 |
| 7 | 7433013 | PRESSOSTAT XP/100 1/4 |
| 8 | 7452511.02 | VALVE ANTIDEPRESSION W/RUBBER- |
| 9 | 5192001 | PROBE SHEATH D8 X 45 HOLE D3 PTFE |
| 10 | 5225205 | STRAIGHT FITTING M10 OT |
| 11 | 5265826 | LEVEL PROBE |
| 12 | 5162395LL | STEAM TAP TUBE MITICA PID |
| 13 | 7452509.02 | SAFETY VALVE 3/8 |
| 14 | 5225413AL | REDUCTION 1/2 |
| 15 | 5162496LL | WATER PIPE |
| 16 | 5320509BL | BOILER |
| 17 | 5492025 | GASKET D42X32X2 PTFE |
| 18 | 5721127AL | COPPER HEATING ELEMENT 110V 1350W |
| 18 | 5722240AL-HT | HEATING ELEMENT 220/240V-1250/1450W |
| 19 | 5329020DC-AL | EXCHANGER 3 HOLES L=1440 MAG-MIT. |
| 20 | 5495007 | COPPER GASKET D32X40 |
| 21 | 5192301 | SUCTION D6X1 L=130MM PTFE |
| 22 | 5162573.01LL | VALVE-EXCHANGER PIPE |
| 23 | 5302006AL | FITTING M12X1/8 |
| 24 | 5164067.01LL | UPPER HEATING HOSE |
| 25 | 5301521TR | UNION ELBOW 1/8 |
| 26 | 5301520TR | UNION ELBOW MM 1/8 |
| 27 | 5163204LL | BOTTOM HEATING HOSE |
| 28 | 5227012 | SCREW TE M8X7.5 |
| 29 | 5227007 | DOWEL M8 X 6 HOLE M4 OT |

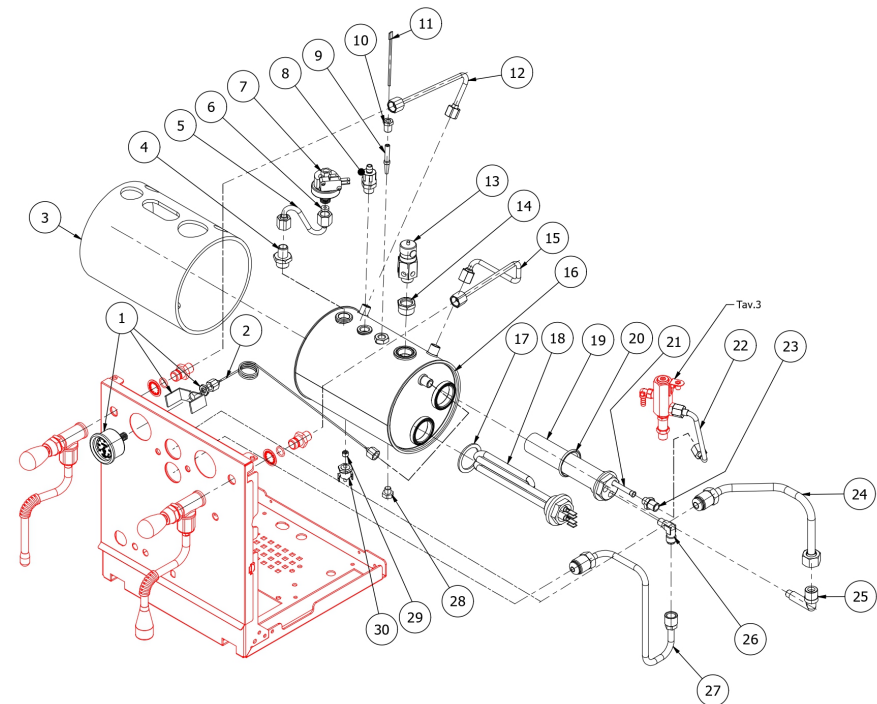
TABLE 4 - (from 07/10/2025)
LUCE

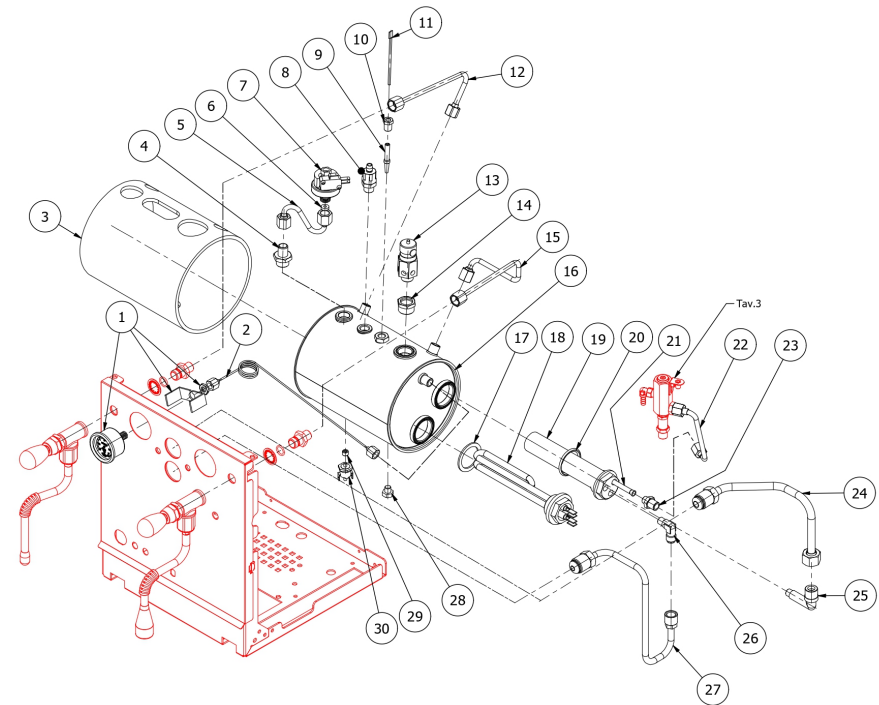
TABLE 4 - (from 07/10/2025)

LUCE

| POS | CODE | DESCRIPTION |
|-----|---------|-----------------------------|
| 30 | 7434009 | THERMOSTAT MANUAL 16A 135°C |

TABLE 4 - (from 07/10/2025)

LUCE



BEZZERA

LUCE

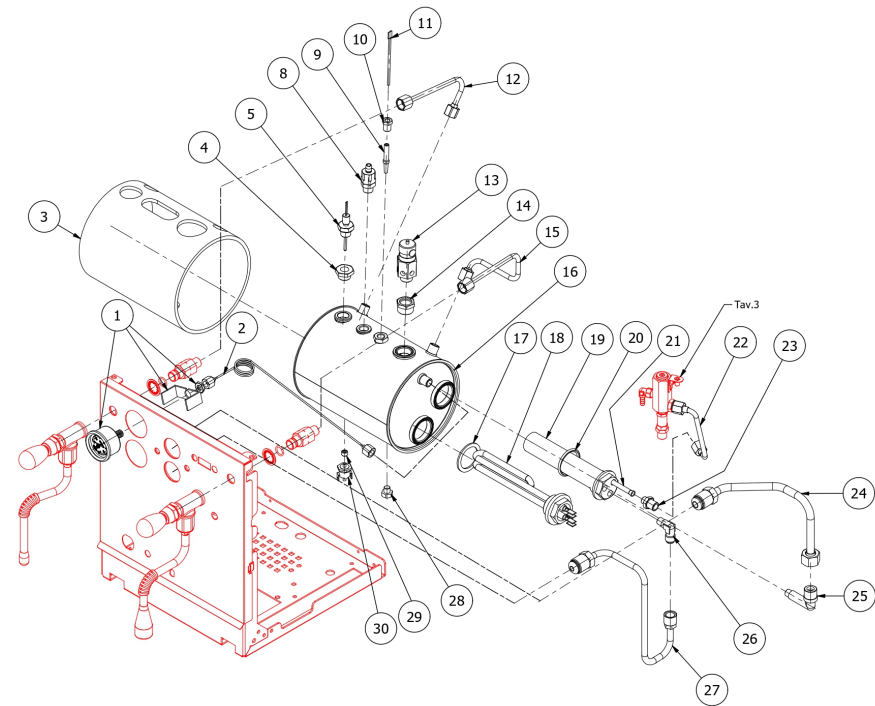
TABLE 4A - (up to 06/10/2025)
LUCE PID

| POS | CODE | DESCRIPTION |
|-----|--------------|--|
| 1 | 7432522.02 | PRESSURE GAUGE D40 3BAR TRICOLOUR |
| 2 | 7400910 | BOILER CAPILLARY PID VERSION |
| 3 | 9991035 | BOILER COVER |
| 4 | 5225412AL | FITTING FOR TEMPERATURE PROBE |
| 5 | 7666008 | PROBE X THERMOPID AISI316 D3 |
| 8 | 7452511.02 | VALVE ANTIDEPRESSION W/RUBBER- |
| 9 | 5192001 | PROBE SHEATH D8 X 45 HOLE D3 PTFE |
| 10 | 5225205 | STRAIGHT FITTING M10 OT |
| 11 | 5265826 | LEVEL PROBE |
| 12 | 5900033 | STEAM HOSE AND FITTING KIT - SOLE LUCE |
| 13 | 7452509.02 | SAFETY VALVE 3/8 |
| 14 | 5225413AL | REDUCTION 1/2 |
| 15 | 5900032 | WATER HOSE AND FITTING KIT - SOLE LUCE |
| 16 | 5320509BL | BOILER |
| 17 | 5492025 | GASKET D42X32X2 PTFE |
| 18 | 5722240.01AL | HEATING ELEMENT 220/240V-1250/1450W |
| 18 | 5721127AL | COPPER HEATING ELEMENT 110V 1350W |
| 19 | 5329020DC-AL | EXCHANGER 3 HOLES L=1440 MAG-MIT. |
| 20 | 5495007 | COPPER GASKET D32X40 |
| 21 | 5192301 | SUCTION D6X1 L=130MM PTFE |
| 22 | 5162573.01LL | VALVE-EXCHANGER PIPE |
| 23 | 5302006AL | FITTING M12X1/8 |
| 24 | 5164067.01LL | UPPER HEATING HOSE |
| 25 | 5301521TR | UNION ELBOW 1/8 |
| 26 | 5301520TR | UNION ELBOW MM 1/8 |
| 27 | 5163204LL | BOTTOM HEATING HOSE |
| 28 | 5227012 | SCREW TE M8X7.5 |
| 29 | 5227007 | DOWEL M8 X 6 HOLE M4 OT |
| 30 | 7434009 | THERMOSTAT MANUAL 16A 135°C |

BEZZERA

LUCE

TABLE 4A - (up to 06/10/2025)
LUCE PID



BEZZERA

LUCE

TABLE 4A - (from 07/10/2025)
LUCE PID

| POS | CODE | DESCRIPTION |
|-----|--------------|-------------------------------------|
| 1 | 7432522.02 | PRESSURE GAUGE D40 3BAR TRICOLOUR |
| 2 | 7400910 | BOILER CAPILLARY PID VERSION |
| 3 | 9991035 | BOILER COVER |
| 4 | 5225412AL | FITTING FOR TEMPERATURE PROBE |
| 5 | 7666008 | PROBE X THERMOPID AISI316 D3 |
| 8 | 7452511.02 | VALVE ANTIDEPRESSION W/RUBBER- |
| 9 | 5192001 | PROBE SHEATH D8 X 45 HOLE D3 PTFE |
| 10 | 5225205 | STRAIGHT FITTING M10 OT |
| 11 | 5265826 | LEVEL PROBE |
| 12 | 5162395.01LL | STEAM TAP TUBE MITICA PID |
| 13 | 7452509.02 | SAFETY VALVE 3/8 |
| 14 | 5225413AL | REDUCTION 1/2 |
| 15 | 5162496.01LL | WATER PIPE |
| 16 | 5320509BL | BOILER |
| 17 | 5492025 | GASKET D42X32X2 PTFE |
| 18 | 5722240AL-HT | HEATING ELEMENT 220/240V-1250/1450W |
| 18 | 5721127AL | COPPER HEATING ELEMENT 110V 1350W |
| 19 | 5329020DC-AL | EXCHANGER 3 HOLES L=1440 MAG-MIT. |
| 20 | 5495007 | COPPER GASKET D32X40 |
| 21 | 5192301 | SUCTION D6X1 L=130MM PTFE |
| 22 | 5162573.01LL | VALVE-EXCHANGER PIPE |
| 23 | 5302006AL | FITTING M12X1/8 |
| 24 | 5164067.01LL | UPPER HEATING HOSE |
| 25 | 5301521TR | UNION ELBOW 1/8 |
| 26 | 5301520TR | UNION ELBOW MM 1/8 |
| 27 | 5163204LL | BOTTOM HEATING HOSE |
| 28 | 5227012 | SCREW TE M8X7.5 |
| 29 | 5227007 | DOWEL M8 X 6 HOLE M4 OT |
| 30 | 7434009 | THERMOSTAT MANUAL 16A 135°C |

BEZZERA

LUCE

TABLE 4A - (from 07/10/2025)
LUCE PID

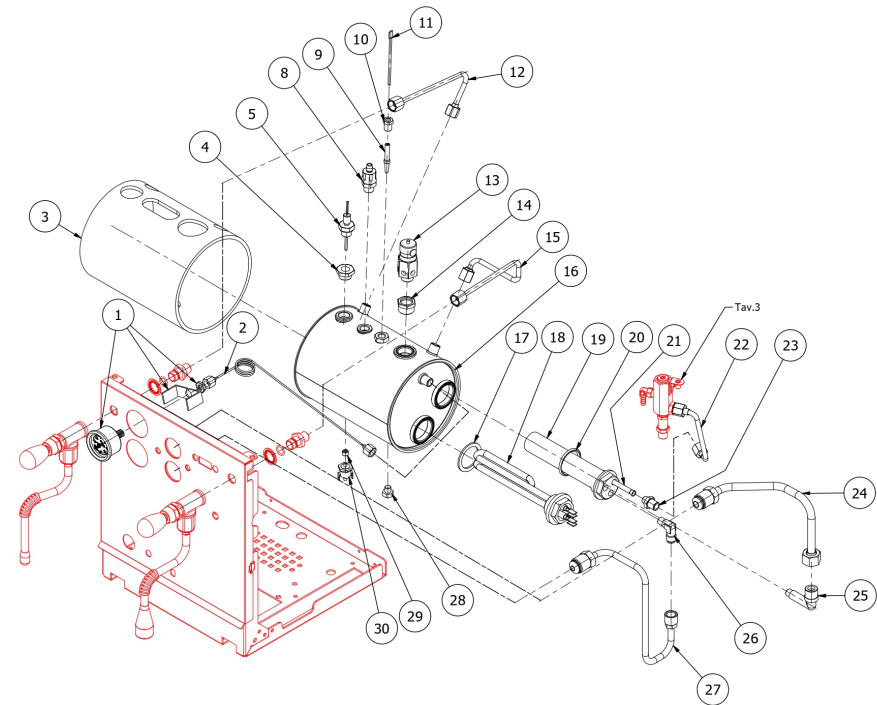
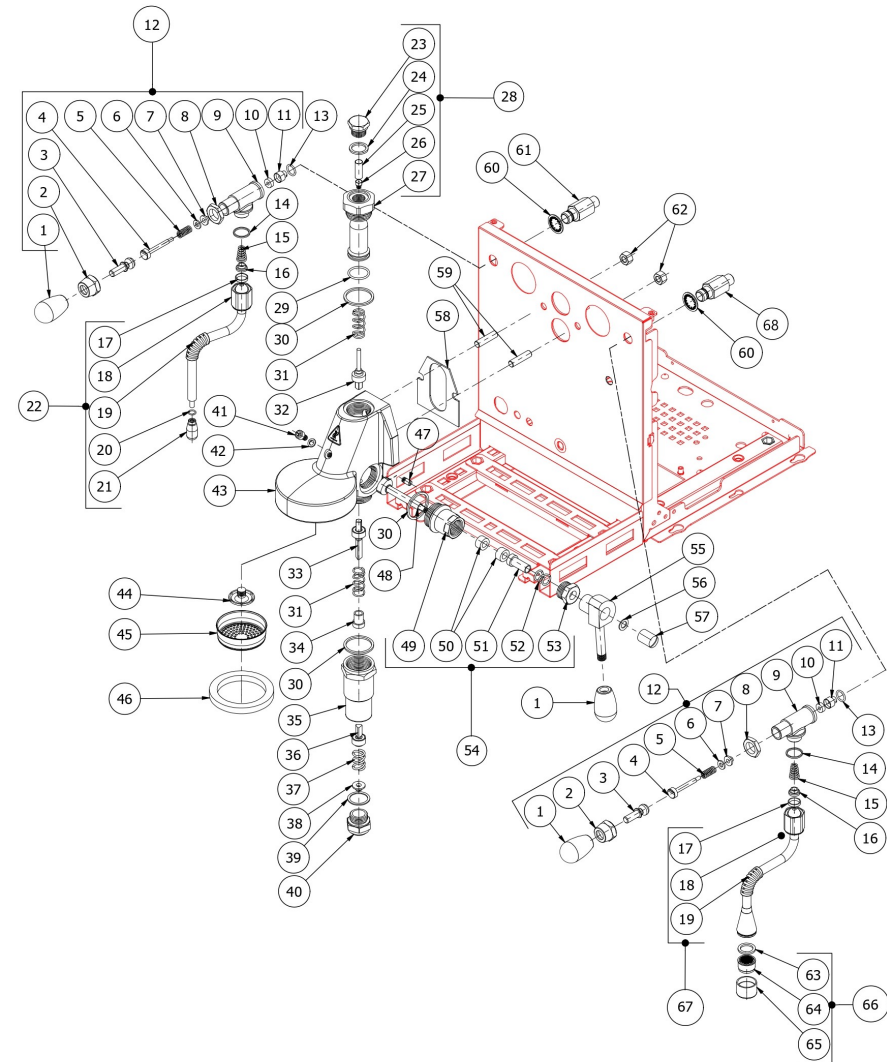


TABLE 5 - (up to 06/10/2025)
LUCE

| POS | CODE | DESCRIPTION |
|-----|--------------|------------------------------------|
| 1 | 7371511.01 | BLACK LEVER KNOB I.622/40-M8 |
| 2 | 5262801.01 | FERRULE 3/8"G H17 STAINLESS STEEL |
| 3 | 5225610 | ARTICULATED JOINT M8 |
| 4 | 5260204DL | SHAFT D12X47 AISI303 POLISH |
| 5 | 5471513 | SPRING D8 H17 AISI302 |
| 6 | 5261801 | WASHER D11 |
| 7 | 5494004 | GASKET D12 X 6 PTFE GRAPHITIZED |
| 8 | 5221826CM | NUT 3/8 |
| 9 | 5283055TW | TAP BODY OT FOR OR |
| 10 | 5496042 | GASKET D11X4X4 EPT 70 |
| 11 | 5224603AL | GASKET HOLDER D12X12 OT57USA |
| 12 | 5964085.02AL | BZ07 TAP COMPLETE WITHOUT HOOKING |
| 13 | 7496052 | OR GASKET 114 VITON |
| 14 | 5494021 | NUT GASKET PTFE H=1,5 |
| 15 | 5471532.01 | SPRING FOR ARTICULATION |
| 16 | 5190501 | CUP FOR FITTING PTFE/GLASS |
| 17 | 7496073.01 | GASKET OR 115 EP856 (FOR TANK) |
| 18 | 5221872.01 | LOOSEN NUT 3/8 |
| 19 | 7371004 | STEAM PIPE PROTECTION |
| 20 | 7496095 | OR GASKET 6X1.2 EPDM70 |
| 21 | 5266609 | STEAM TERMINAL 2 WAYS AISI303 |
| 22 | 7479990.03 | STEAM TUBE TERMINAL 2 HOLES SPHERE |
| 23 | 7479952DL | UPPER ASSY PLUG |
| 24 | 7479953 | GASKET TF 22X17X2 |
| 25 | 7479954 | INOX FILTER D.8,5X22 |
| 26 | 7479955.01 | INJECTOR CH7X9 M6X0.75 HOLE 0.7 |
| 27 | 7479956.01 | UPPER SLEEVE ASSY |
| 28 | 7479933.01 | INJECTOR 0,7 UPPER SLEEVE ASSY |
| 29 | 7479934 | GASKET OR 128 VITON |
| 30 | 7479935 | GASKET TF Ø35X30X2 |

TABLE 5 - (up to 06/10/2025)
LUCE



BEZZERA

LUCE

TABLE 5 - (up to 06/10/2025)
LUCE

| POS | CODE | DESCRIPTION |
|-----|-----------|---------------------------------|
| 31 | 7479936 | DELIVERY VALVE SPRING |
| 32 | 7479937 | DELIVERY VALVE ASSY |
| 33 | 7479946 | ASSEMBLY VALVE |
| 34 | 7479942 | SPRING GUIDE BUSHING |
| 35 | 7479957 | LOWER SLEEVE ASSY |
| 36 | 7479943 | ASSEMBLY RELIEF VALVE |
| 37 | 7479944 | DRAIN SPRING |
| 38 | 7479945 | JET-BREAKER BUSHING Ø15X6 |
| 39 | 7479960 | GASKET TF D26x21x2 |
| 40 | 7479961 | GROUP BOTTOM FITTING |
| 41 | 7479939 | SCREW TCE M6X8 |
| 42 | 7479938 | GASKET TF 10X6X1 |
| 43 | 7479940AL | LEVER BODY GROUP CHROMED OT57 |
| 44 | 7479941 | SPRAYER D.30 |
| 45 | 5471022 | INOX SHOWER FILTER |
| 46 | 5493039 | GASKET H8 E61 GROUP |
| 47 | 7479951 | CAMS LOCK STUD |
| 48 | 7479950 | GROUND CAMS TREE |
| 49 | 7479967 | CAM FLANGE |
| 50 | 7479968 | WASHER EP079 15.5X7.5X4 |
| 51 | 7479969 | BUSHING |
| 52 | 7479970 | SPRING |
| 53 | 7479971 | PLUG CHROMED |
| 54 | 7479949 | CAM FLANGE ASSY |
| 55 | 7479931 | DELIVERY LEVER |
| 56 | 7479947 | WASHER D8 |
| 57 | 7479948 | CAP D15XM6 |
| 58 | 7493011 | INSULATING |
| 59 | 5267013 | TIE ROD M8X31 ASTM A 193 B8 C/1 |
| 60 | 7814201 | WASHER 14 DIN6798J A2 |

BEZZERA

LUCE

TABLE 5 - (up to 06/10/2025)
LUCE

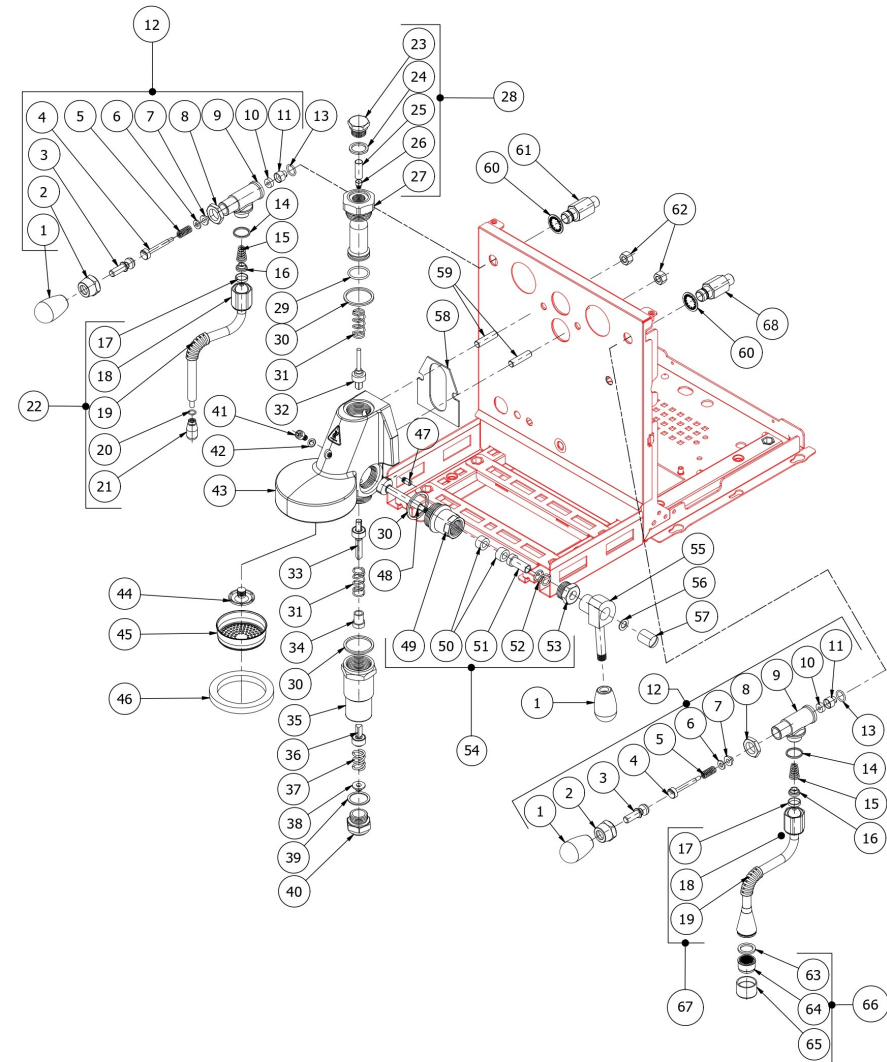


TABLE 5 - (up to 06/10/2025)
LUCE

| POS | CODE | DESCRIPTION |
|-----|-----------|--|
| 61 | 5900033 | STEAM HOSE AND FITTING KIT - SOLE LUCE |
| 62 | 7811402 | NUT M8 UNI5587 A2 |
| 63 | 5493003 | GASKET D20.5X15 H1.5 NBR 70SH |
| 64 | 5471037 | ACETALIC AIR FILTER |
| 65 | 7305020TW | WATER TERMINAL |
| 66 | 5226601TW | WATER HOSE TERMINAL |
| 67 | 5966566 | WATER TUBE SEMISPHERE 14.3 |
| 68 | 5900032 | WATER HOSE AND FITTING KIT - SOLE LUCE |

TABLE 5 - (up to 06/10/2025)
LUCE

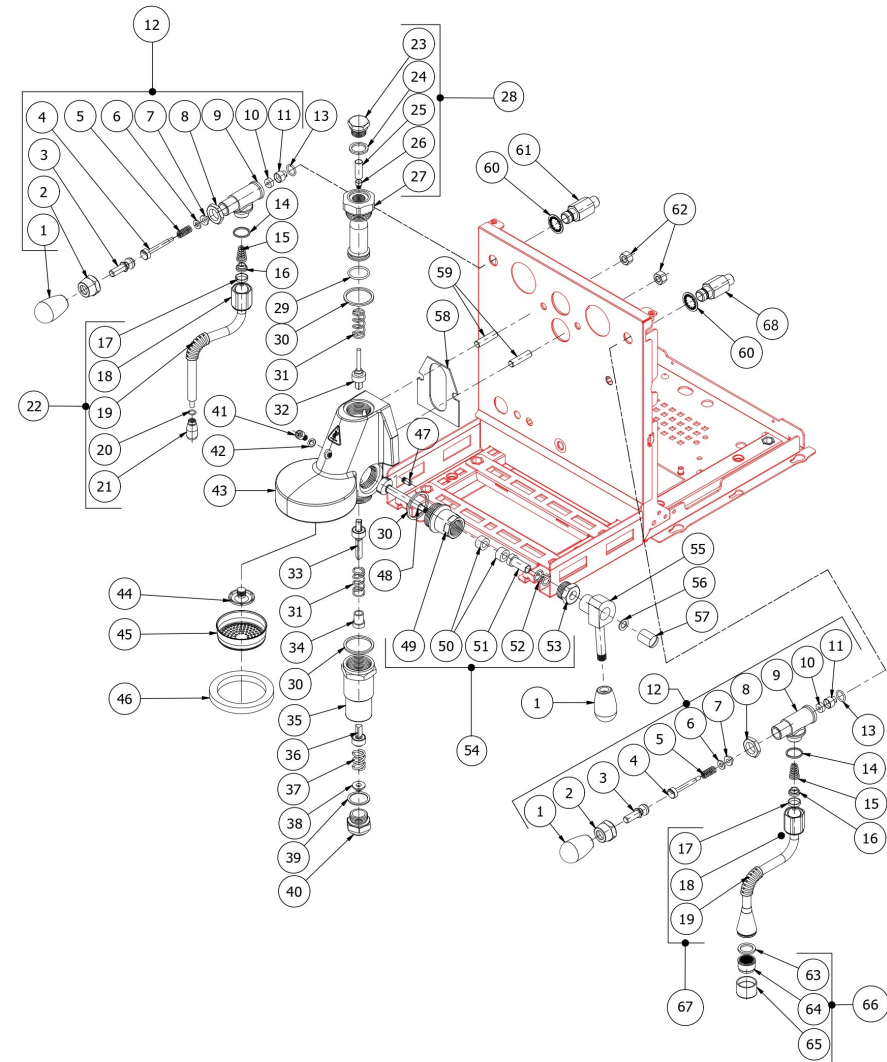
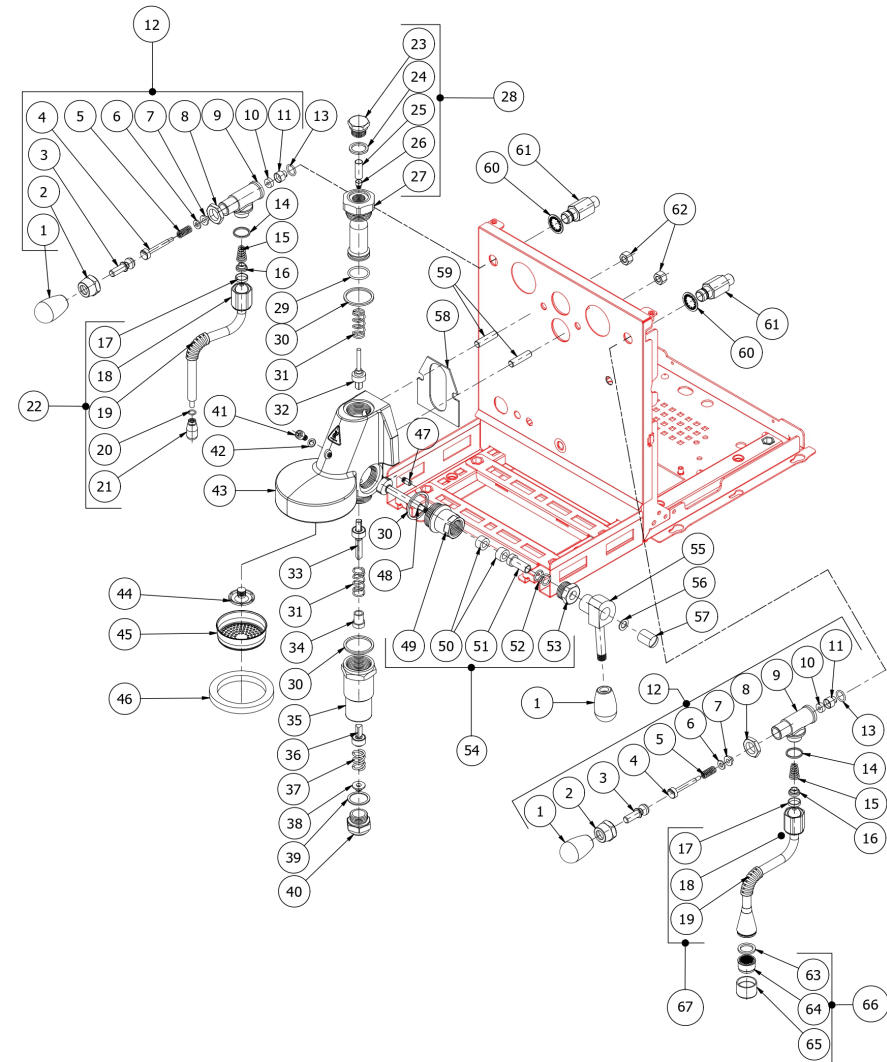


TABLE 5 - (from 07/10/2025)
LUCE

| POS | CODE | DESCRIPTION |
|-----|--------------|------------------------------------|
| 1 | 7371511.01 | BLACK LEVER KNOB I.622/40-M8 |
| 2 | 5262801.01 | FERRULE 3/8"G H17 STAINLESS STEEL |
| 3 | 5225610 | ARTICULATED JOINT M8 |
| 4 | 5260204DL | SHAFT D12X47 AISI303 POLISH |
| 5 | 5471513 | SPRING D8 H17 AISI302 |
| 6 | 5261801 | WASHER D11 |
| 7 | 5494004 | GASKET D12 X 6 PTFE GRAPHITIZED |
| 8 | 5221826CM | NUT 3/8 |
| 9 | 5283055TW | TAP BODY OT FOR OR |
| 10 | 5496042 | GASKET D11X4X4 EPT 70 |
| 11 | 5224603AL | GASKET HOLDER D12X12 OT57USA |
| 12 | 5964085.02AL | BZ07 TAP COMPLETE WITHOUT HOOKING |
| 13 | 7496052 | OR GASKET 114 VITON |
| 14 | 5494021 | NUT GASKET PTFE H=1,5 |
| 15 | 5471532.01 | SPRING FOR ARTICULATION |
| 16 | 5190501 | CUP FOR FITTING PTFE/GLASS |
| 17 | 7496073.01 | GASKET OR 115 EP856 (FOR TANK) |
| 18 | 5221872.01 | LOOSEN NUT 3/8 |
| 19 | 7371004 | STEAM PIPE PROTECTION |
| 20 | 7496095 | OR GASKET 6X1.2 EPDM70 |
| 21 | 5266609 | STEAM TERMINAL 2 WAYS AISI303 |
| 22 | 7479990.03 | STEAM TUBE TERMINAL 2 HOLES SPHERE |
| 23 | 7479952 | UPPER ASSY PLUG |
| 24 | 7479953 | GASKET TF 22X17X2 |
| 25 | 7479954 | INOX FILTER D.8,5X22 |
| 26 | 7479955.01 | INJECTOR CH7X9 M6X0.75 HOLE 0.7 |
| 27 | 7479956.01 | UPPER SLEEVE ASSY |
| 28 | 7479933.01 | INJECTOR 0,7 UPPER SLEEVE ASSY |
| 29 | 7479934 | GASKET OR 128 VITON |
| 30 | 7479935 | GASKET TF Ø35X30X2 |

TABLE 5 - (from 07/10/2025)
LUCE



BEZZERA

LUCE

TABLE 5 - (from 07/10/2025)
LUCE

| POS | CODE | DESCRIPTION |
|-----|-----------|---------------------------------|
| 31 | 7479936 | DELIVERY VALVE SPRING |
| 32 | 7479937 | DELIVERY VALVE ASSY |
| 33 | 7479946 | ASSEMBLY VALVE |
| 34 | 7479942 | SPRING GUIDE BUSHING |
| 35 | 7479957 | LOWER SLEEVE ASSY |
| 36 | 7479943 | ASSEMBLY RELIEF VALVE |
| 37 | 7479944 | DRAIN SPRING |
| 38 | 7479945 | JET-BREAKER BUSHING Ø15X6 |
| 39 | 7479960 | GASKET TF D26x21x2 |
| 40 | 7479961 | GROUP BOTTOM FITTING |
| 41 | 7479939 | SCREW TCE M6X8 |
| 42 | 7479938 | GASKET TF 10X6X1 |
| 43 | 7479940AL | LEVER BODY GROUP CHROMED OT57 |
| 44 | 7479941 | SPRAYER D.30 |
| 45 | 5471022 | INOX SHOWER FILTER |
| 46 | 5493039 | GASKET H8 E61 GROUP |
| 47 | 7479951 | CAMS LOCK STUD |
| 48 | 7479950 | GROUND CAMS TREE |
| 49 | 7479967 | CAM FLANGE |
| 50 | 7479968 | WASHER EP079 15.5X7.5X4 |
| 51 | 7479969 | BUSHING |
| 52 | 7479970 | SPRING |
| 53 | 7479971 | PLUG CHROMED |
| 54 | 7479949 | CAM FLANGE ASSY |
| 55 | 7479931 | DELIVERY LEVER |
| 56 | 7479947 | WASHER D8 |
| 57 | 7479948 | CAP D15XM6 |
| 58 | 7493011 | INSULATING |
| 59 | 5267013 | TIE ROD M8X31 ASTM A 193 B8 C/1 |
| 60 | 7814201 | WASHER 14 DIN6798J A2 |

BEZZERA

LUCE

TABLE 5 - (from 07/10/2025)
LUCE

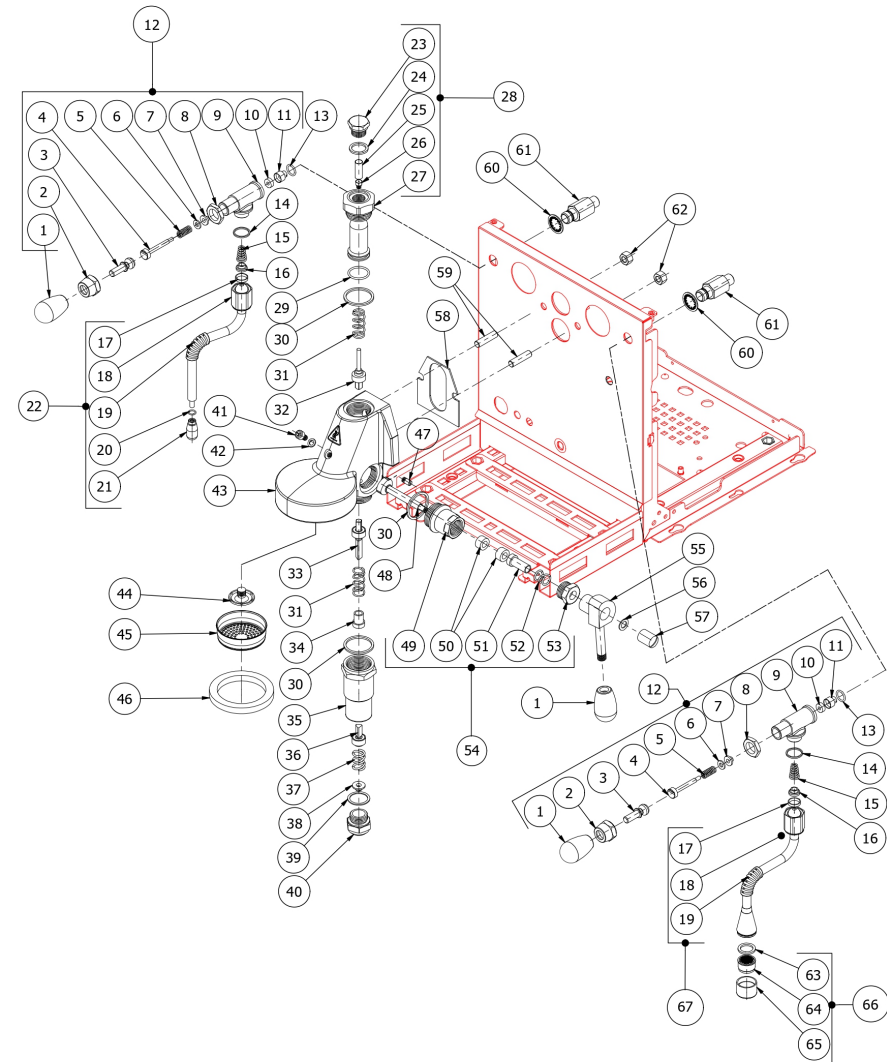


TABLE 5 - (from 07/10/2025)
LUCE

| POS | CODE | DESCRIPTION |
|-----|--------------|-------------------------------------|
| 61 | 5225416.01AL | FITTING M14XM13 ES19 H31 WITHOUT OR |
| 62 | 7811402 | NUT M8 UNI5587 A2 |
| 63 | 5493003 | GASKET D20.5X15 H1.5 NBR 70SH |
| 64 | 5471037 | ACETALIC AIR FILTER |
| 65 | 7305020TW | WATER TERMINAL |
| 66 | 5226601TW | WATER HOSE TERMINAL |
| 67 | 5966566 | WATER TUBE SEMISPHERE 14.3 |

TABLE 5 - (from 07/10/2025)
LUCE

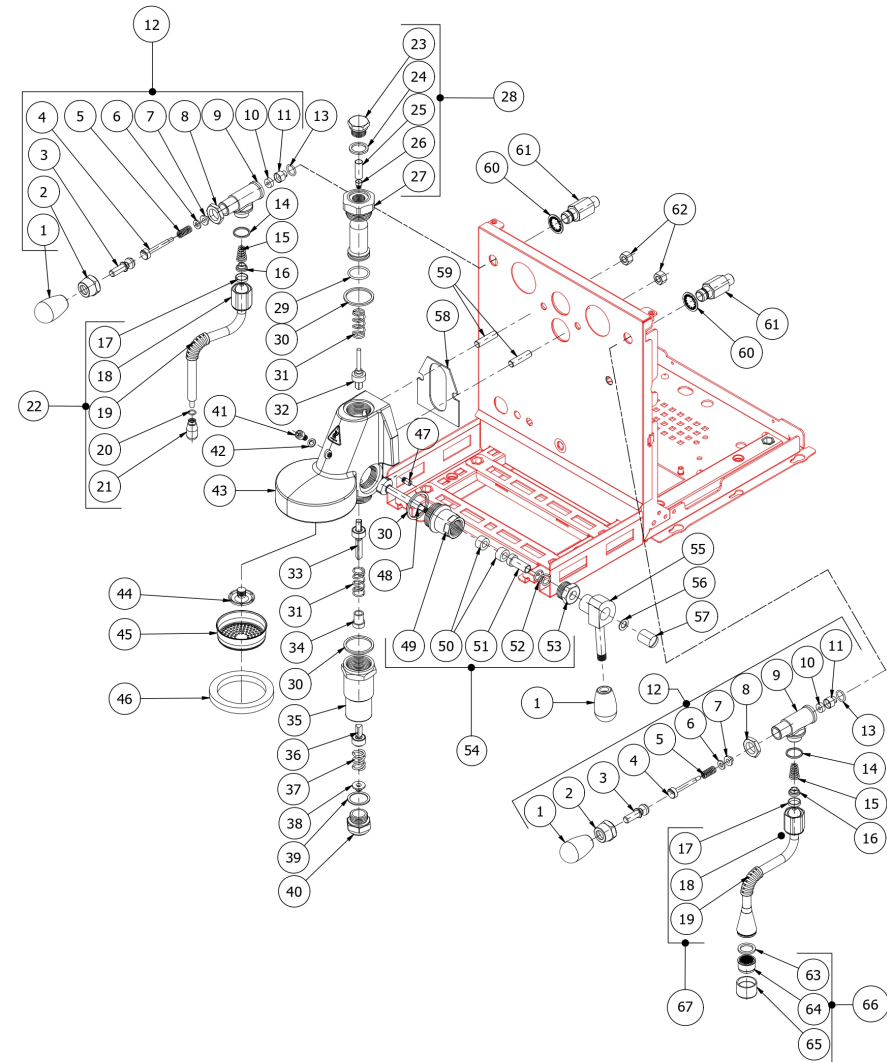
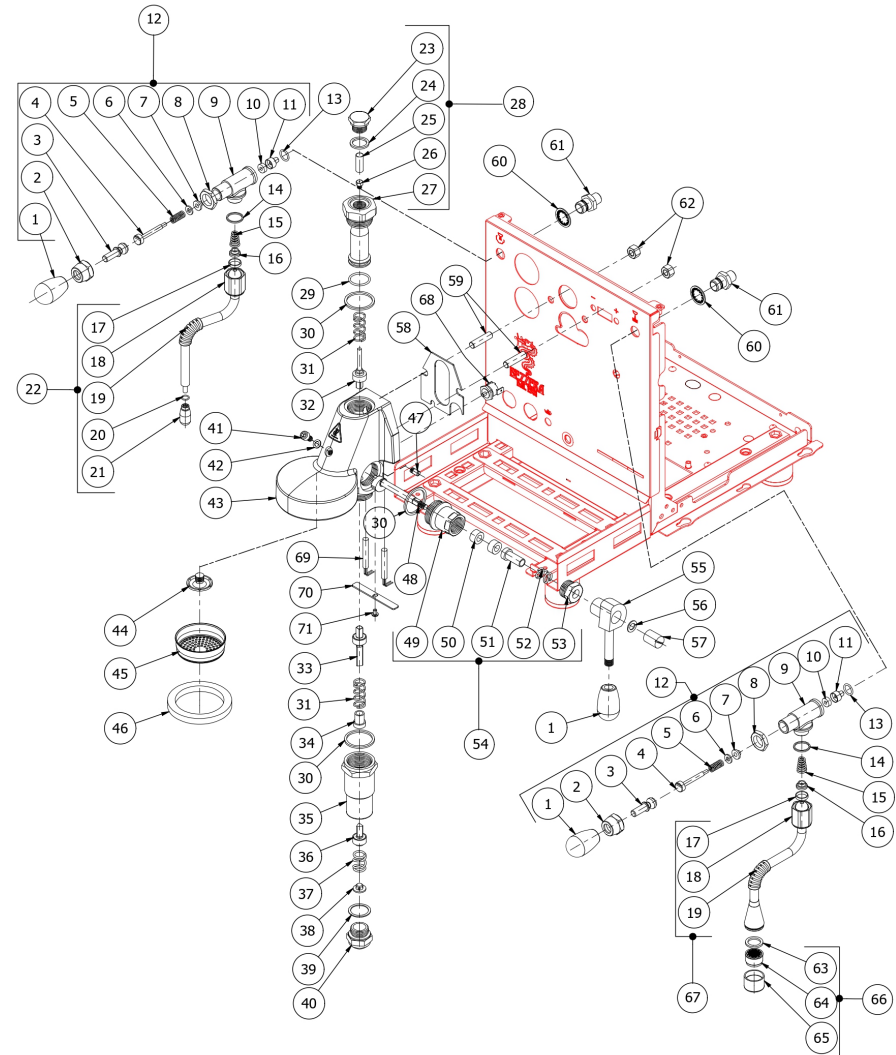


TABLE 5A
LUCE PID FAST HEATING

| POS | CODE | DESCRIPTION |
|-----|--------------|------------------------------------|
| 1 | 7371511.01 | BLACK LEVER KNOB I.622/40-M8 |
| 2 | 5262801.01 | FERRULE 3/8"G H17 STAINLESS STEEL |
| 3 | 5225610 | ARTICULATED JOINT M8 |
| 4 | 5260204DL | SHAFT D12X47 AISI303 POLISH |
| 5 | 5471513 | SPRING D8 H17 AISI302 |
| 6 | 5261801 | WASHER D11 |
| 7 | 5494004 | GASKET D12 X 6 PTFE GRAPHITIZED |
| 8 | 5221826CM | NUT 3/8 |
| 9 | 5283055TW | TAP BODY OT FOR OR |
| 10 | 5496042 | GASKET D11X4X4 EPT 70 |
| 11 | 5224603AL | GASKET HOLDER D12X12 OT57USA |
| 12 | 5964085.02AL | BZ07 TAP COMPLETE WITHOUT HOOKING |
| 13 | 7496052 | OR GASKET 114 VITON |
| 14 | 5494021 | NUT GASKET PTFE H=1,5 |
| 15 | 5471532.01 | SPRING FOR ARTICULATION |
| 16 | 5190501 | CUP FOR FITTING PTFE/GLASS |
| 17 | 7496073.01 | GASKET OR 115 EP856 (FOR TANK) |
| 18 | 5221872.01 | LOOSEN NUT 3/8 |
| 19 | 7371004 | STEAM PIPE PROTECTION |
| 20 | 7496095 | OR GASKET 6X1.2 EPDM70 |
| 21 | 5266609 | STEAM TERMINAL 2 WAYS AISI303 |
| 22 | 7479990.03 | STEAM TUBE TERMINAL 2 HOLES SPHERE |
| 23 | 7479952 | UPPER ASSY PLUG |
| 24 | 7479953 | GASKET TF 22X17X2 |
| 25 | 7479954 | INOX FILTER D.8,5X22 |
| 26 | 7479955.01 | INJECTOR CH7X9 M6X0.75 HOLE 0.7 |
| 27 | 7479956.01 | UPPER SLEEVE ASSY |
| 28 | 7479933.01 | INJECTOR 0,7 UPPER SLEEVE ASSY |
| 29 | 7479934 | GASKET OR 128 VITON |
| 30 | 7479935 | GASKET TF Ø35X30X2 |

TABLE 5A
LUCE PID FAST HEATING



BEZZERA

LUCE

TABLE 5A
LUCE PID FAST HEATING

| POS | CODE | DESCRIPTION |
|-----|-----------|---|
| 31 | 7479936 | DELIVERY VALVE SPRING |
| 32 | 7479937 | DELIVERY VALVE ASSY |
| 33 | 7479946 | ASSEMBLY VALVE |
| 34 | 7479942 | SPRING GUIDE BUSHING |
| 35 | 7479957 | LOWER SLEEVE ASSY |
| 36 | 7479943 | ASSEMBLY RELIEF VALVE |
| 37 | 7479944 | DRAIN SPRING |
| 38 | 7479945 | JET-BREAKER BUSHING Ø15X6 |
| 39 | 7479960 | GASKET TF D26x21x2 |
| 40 | 7479961 | GROUP BOTTOM FITTING |
| 41 | 7479939 | SCREW TCE M6X8 |
| 42 | 7479938 | GASKET TF 10X6X1 |
| 43 | 7479962AL | LEVER BODY GROUP E61 CR.OT57 FOR FAST HEATING |
| 44 | 7479941 | SPRAYER D.30 |
| 45 | 5471022 | INOX SHOWER FILTER |
| 46 | 5493039 | GASKET H8 E61 GROUP |
| 47 | 7479951 | CAMS LOCK STUD |
| 48 | 7479950 | GROUND CAMS TREE |
| 49 | 7479967 | CAM FLANGE |
| 50 | 7479968 | WASHER EP079 15.5X7.5X4 |
| 51 | 7479969 | BUSHING |
| 52 | 7479970 | SPRING |
| 53 | 7479971 | PLUG CHROMED |
| 54 | 7479949 | CAM FLANGE ASSY |
| 55 | 7479931 | DELIVERY LEVER |
| 56 | 7479947 | WASHER D8 |
| 57 | 7479948 | CAP D15XM6 |
| 58 | 7493026 | INSULATING |
| 59 | 5267013 | TIE ROD M8X31 ASTM A 193 B8 C/1 |
| 60 | 7814201 | WASHER 14 DIN6798J A2 |

BEZZERA

LUCE

TABLE 5A
LUCE PID FAST HEATING

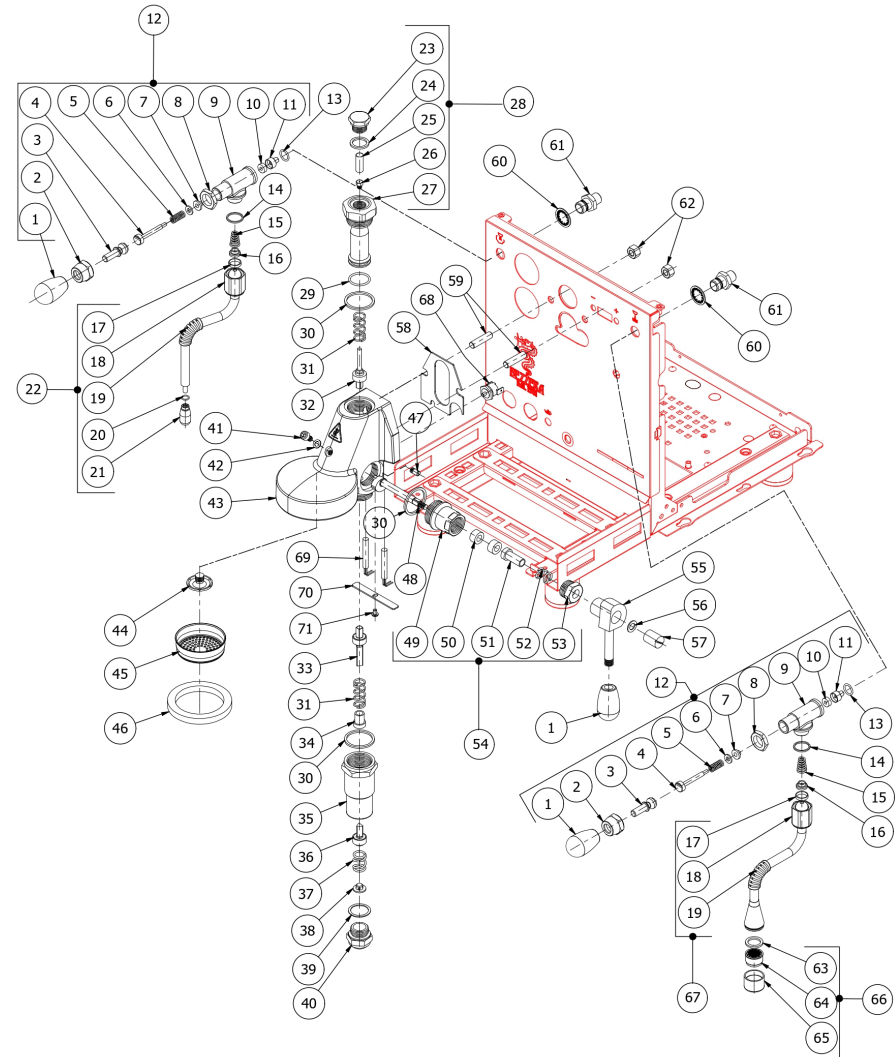


TABLE 5A
LUCE PID FAST HEATING

| POS | CODE | DESCRIPTION |
|-----|--------------|---|
| 61 | 5225416.01AL | FITTING M14XM13 ES19 H31 WITHOUT OR |
| 62 | 7811402 | NUT M8 UNI5587 A2 |
| 63 | 5493003 | GASKET D20.5X15 H1.5 NBR 70SH |
| 64 | 5471037 | ACETALIC AIR FILTER |
| 65 | 7305020TW | WATER TERMINAL |
| 66 | 5226601TW | WATER HOSE TERMINAL |
| 67 | 5966566 | WATER TUBE SEMISPHERE 14.3 |
| 68 | 7634808 | THERMIC SAFETY DEVICE 250V 95°C AUTOMATIC |
| 69 | 5963403 | GLOW PLUG ASSY DOUBLE 110/120V 150W |
| 69 | 5963401 | GLOW PLUG ASSY DOUBLE 220/240V 150W |
| 70 | 5058533 | GLOW PLUG COVER GROUP E61 |
| 71 | 7819912 | SCREW M4X6 |

TABLE 5A
LUCE PID FAST HEATING

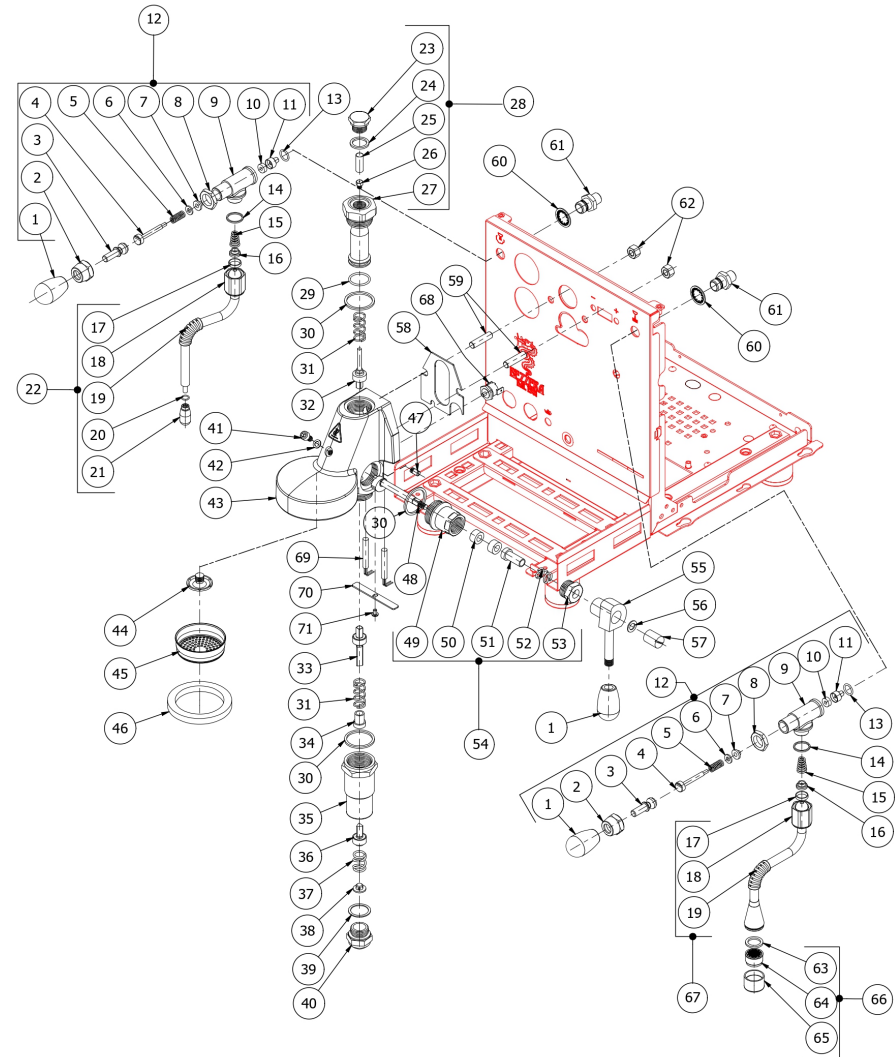
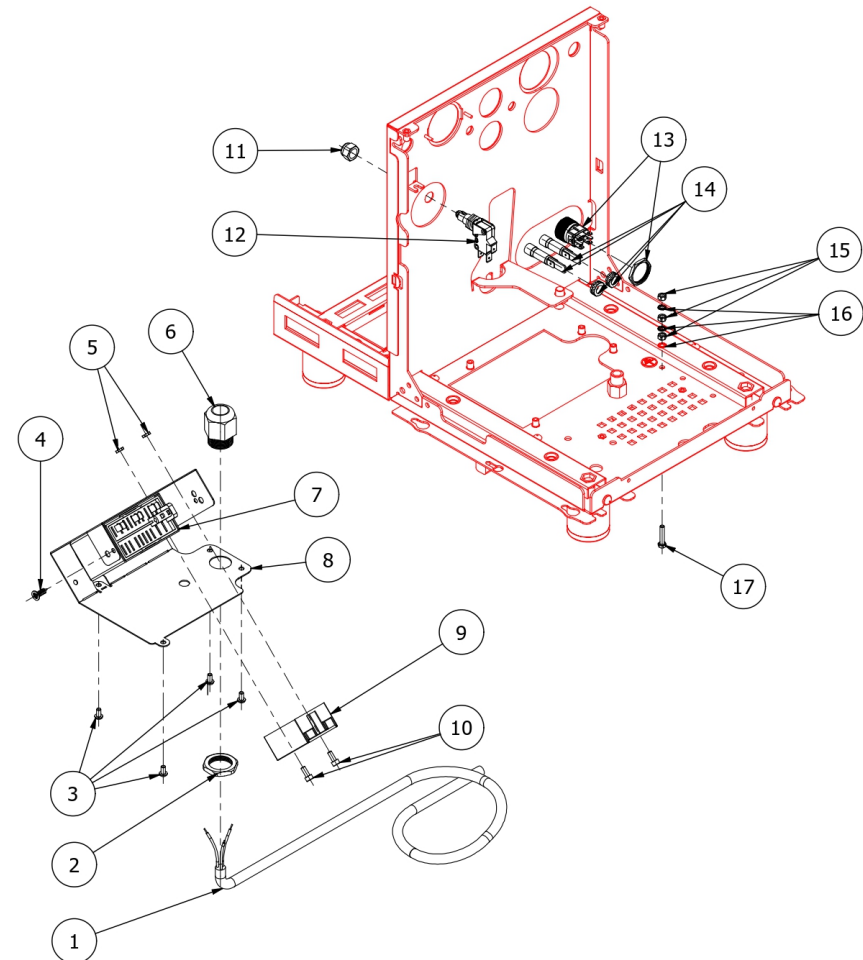


TABLE 6
LUCE

| POS | CODE | DESCRIPTION |
|-----|------------|-------------------------------------|
| 1 | 7551001 | ELECTRIC CABLE WITH USA PLUG L=1.5M |
| 1 | 7555007 | ELECTRIC CABLE WITH CHINA PLUG |
| 1 | 7552001 | ELECTRIC CABLE WITH AUSTRALIAN PLUG |
| 1 | 7554001 | ELECTRIC CABLE WITH ENGLISH PLUG |
| 1 | 7553001 | CABLE ISRAELE PLUG H05VV-F 3G1.5M |
| 1 | 7555001 | ELECTRIC CABLE WITH SHUKO PLUG |
| 2 | 7614006 | NUT PG13.5 |
| 3 | 7819908 | SCREW TTEI M4X8 |
| 4 | 7819404 | TAPPING SCREW TPS D2.9X9.5 UNI 6952 |
| 5 | 7812601 | INOX NUT M4 UNI5588 |
| 6 | 7614007 | FAIRLEAD WITH HOLE RUBBER |
| 7 | 7661007R | LEVEL REGULATOR 220/240V 50/60HZ |
| 7 | 7661006R | LEVEL REGULATOR 100/120V 50/60HZ |
| 8 | 5035732LW | ELECTRIC PARTS PLATE |
| 9 | 7635424.01 | RELAIS SSR FOR T.PID |
| 10 | 7816009 | SCREW TCEI M4X10 UNI 5931A2 |
| 11 | 5221875CM | NUT M10X0,75 |
| 12 | 7633906.01 | MICRO SWITCH |
| 13 | 7633355SG | SWITCH 110V ON/OFF |
| 13 | 7633354SG | SWITCH 230V ON/OFF |
| 14 | 7633628 | WHITE LAMP |
| 15 | 7822603 | NUT M4 OT |
| 16 | 7814001 | WASHER D4 DIN 6798A A2 |
| 17 | 7826411 | SCREW TE M4X20 UNI5739 OT |

TABLE 6
LUCE

BEZZERA

LUCE

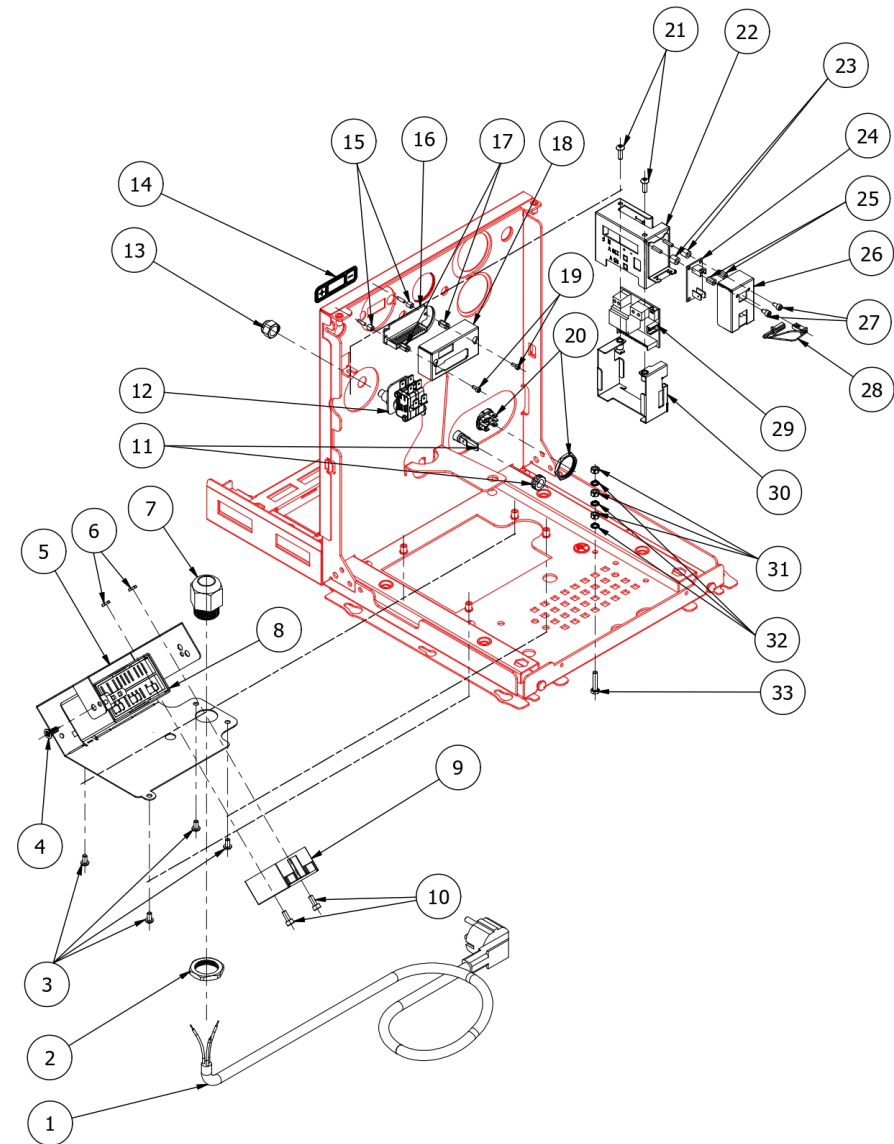
TABLE 6A
LUCE PID

| POS | CODE | DESCRIPTION |
|-----|------------|-------------------------------------|
| 1 | 7555001 | ELECTRIC CABLE WITH SHUKO PLUG |
| 1 | 7551001 | ELECTRIC CABLE WITH USA PLUG L=1.5M |
| 1 | 7555007 | ELECTRIC CABLE WITH CHINA PLUG |
| 1 | 7552001 | ELECTRIC CABLE WITH AUSTRALIAN PLUG |
| 1 | 7554001 | ELECTRIC CABLE WITH ENGLISH PLUG |
| 1 | 7553001 | CABLE ISRAELE PLUG H05VV-F 3G1.5M |
| 2 | 7614006 | NUT PG13.5 |
| 3 | 7819908 | SCREW TTEI M4X8 |
| 4 | 7819404 | TAPPING SCREW TPS D2.9X9.5 UNI 6952 |
| 5 | 5035732LW | ELECTRIC PARTS PLATE |
| 6 | 7812601 | INOX NUT M4 UNI5588 |
| 7 | 7614007 | FAIRLEAD WITH HOLE RUBBER |
| 8 | 7661006R | LEVEL REGULATOR 100/120V 50/60HZ |
| 8 | 7661007R | LEVEL REGULATOR 220/240V 50/60HZ |
| 9 | 7635424.01 | RELAIS SSR FOR T.PID |
| 10 | 7816009 | SCREW TCEI M4X10 UNI 5931A2 |
| 11 | 7633628 | WHITE LAMP |
| 12 | 7633910.01 | MICRO SWITCH 2 POLIES W/WEEL |
| 13 | 5221875CM | NUT M10X0,75 |
| 14 | 5522077 | PID ADHESIVE LABEL |
| 15 | 5191522 | SPACER |
| 16 | 7665544 | TPID DISPLAY CARD WHITE (PR) |
| 17 | 5191518 | PLASTIC SPACER M2.5X10 |
| 18 | 5053069LW | PID DISPLAY COVER |
| 19 | 7816030 | SCREW TCEI |
| 20 | 7633354SG | SWITCH 230V ON/OFF |
| 20 | 7633355SG | SWITCH 110V ON/OFF |
| 21 | 7809817 | SCREW M4X12 |
| 22 | 5343104 | PID COMPLETE COVER |
| 23 | 5191513 | SPACER NYLON 66 L=7 MM |

BEZZERA

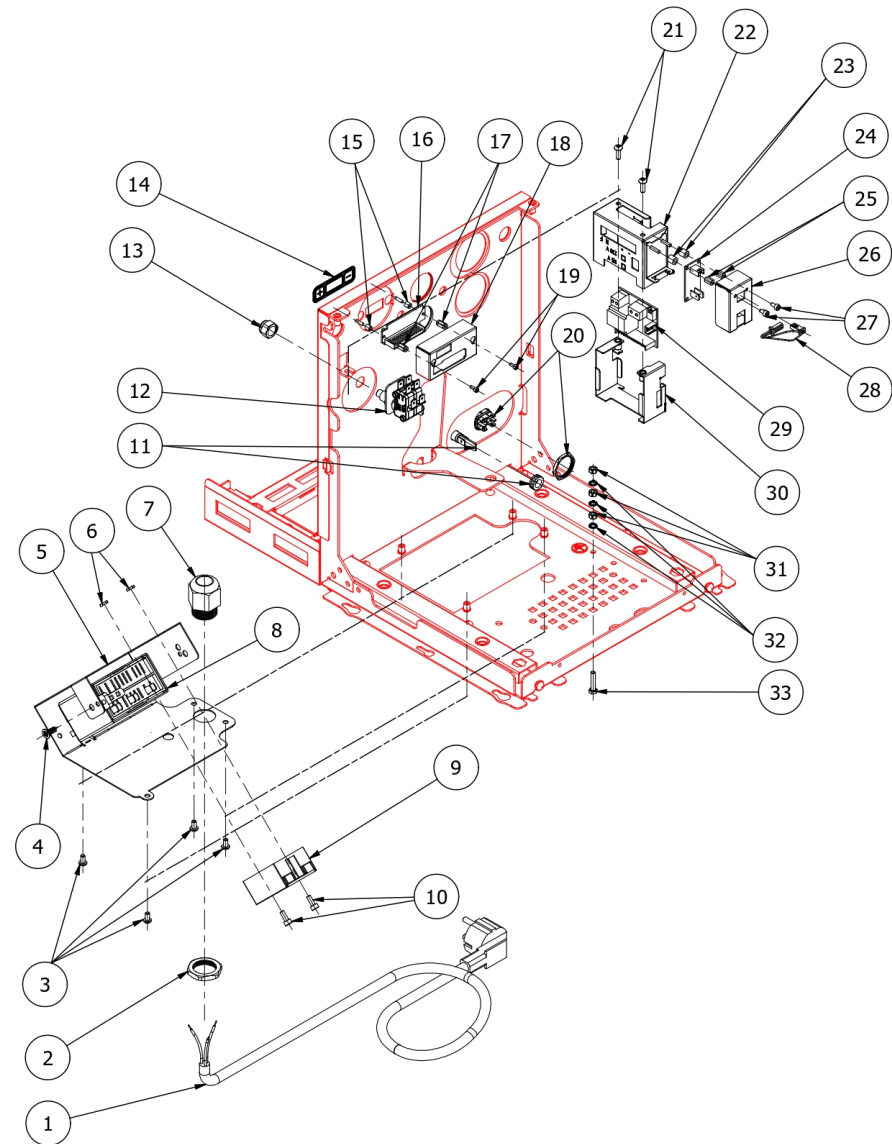
LUCE

TABLE 6A
LUCE PID



BEZZERA**LUCE**TABLE 6A
LUCE PID

| POS | CODE | DESCRIPTION |
|-----|------------|-------------------------------------|
| 24 | 7665545 | OPTO TIMER BOARD (PR) |
| 25 | 5058513LL | SUPPORT PID CARD W/COMPASSES |
| 25 | 7639915 | PLASTIC SPACER M3X8 |
| 26 | 5053061LW | COVER OPTO TIMER (PR) |
| 27 | 7816016 | SCREW TCEI M3X6 |
| 28 | 7663641 | CONNECTION CABLE CARD |
| 29 | 7434026.03 | TERMOSTAT TPID 110V WITHOUT DISPLAY |
| 29 | 7434027.03 | THERMOSTAT TPID 230/240V S/DISP |
| 30 | 5058513LL | SUPPORT PID CARD W/COMPASSES |
| 31 | 7822603 | NUT M4 OT |
| 32 | 7814001 | WASHER D4 DIN 6798A A2 |
| 33 | 7826411 | SCREW TE M4X20 UNI5739 OT |

BEZZERA**LUCE**TABLE 6A
LUCE PID

BEZZERA

LUCE

TABLE 6B
LUCE PID FAST HEATING

| POS | CODE | DESCRIPTION |
|-----|------------|--|
| 1 | 7551001 | ELECTRIC CABLE WITH USA PLUG L=1.5M |
| 1 | 7555007 | ELECTRIC CABLE WITH CHINA PLUG |
| 1 | 7552001 | ELECTRIC CABLE WITH AUSTRALIAN PLUG |
| 1 | 7554001 | ELECTRIC CABLE WITH ENGLISH PLUG |
| 1 | 7553001 | CABLE ISRAELE PLUG H05VV-F 3G1.5M |
| 1 | 7555001 | ELECTRIC CABLE WITH SHUKO PLUG |
| 2 | 7614006 | NUT PG13.5 |
| 3 | 7819908 | SCREW TTEI M4X8 |
| 4 | 7819404 | TAPPING SCREW TPS D2.9X9.5 UNI 6952 |
| 5 | 5035732LW | ELECTRIC PARTS PLATE |
| 6 | 7812601 | INOX NUT M4 UNI5588 |
| 7 | 7614007 | FAIRLEAD WITH HOLE RUBBER |
| 8 | 7661006R | LEVEL REGULATOR 100/120V 50/60HZ |
| 8 | 7661007R | LEVEL REGULATOR 220/240V 50/60HZ |
| 9 | 7635424.01 | RELAIS SSR FOR T.PID |
| 10 | 7816009 | SCREW TCEI M4X10 UNI 5931A2 |
| 11 | 7633628 | WHITE LAMP |
| 12 | 7633910.01 | MICRO SWITCH 2 POLIES W/WHEEL |
| 13 | 5221875CM | NUT M10X0,75 |
| 14 | 5661508 | STAINLESS STEEL THERMOPID DISPLAY BUTTON |
| 15 | 5191522 | SPACER |
| 16 | 7665544 | TPID DISPLAY CARD WHITE (PR) |
| 17 | 5191518 | PLASTIC SPACER M2.5X10 |
| 18 | 5053069LW | PID DISPLAY COVER |
| 19 | 7816030 | SCREW TCEI |
| 20 | 7633355SG | SWITCH 110V ON/OFF |
| 20 | 7633354SG | SWITCH 230V ON/OFF |
| 21 | 7809817 | SCREW M4X12 |
| 22 | 5343104 | PID COMPLETE COVER |
| 23 | 5191513 | SPACER NYLON 66 L=7 MM |

BEZZERA

LUCE

TABLE 6B
LUCE PID FAST HEATING

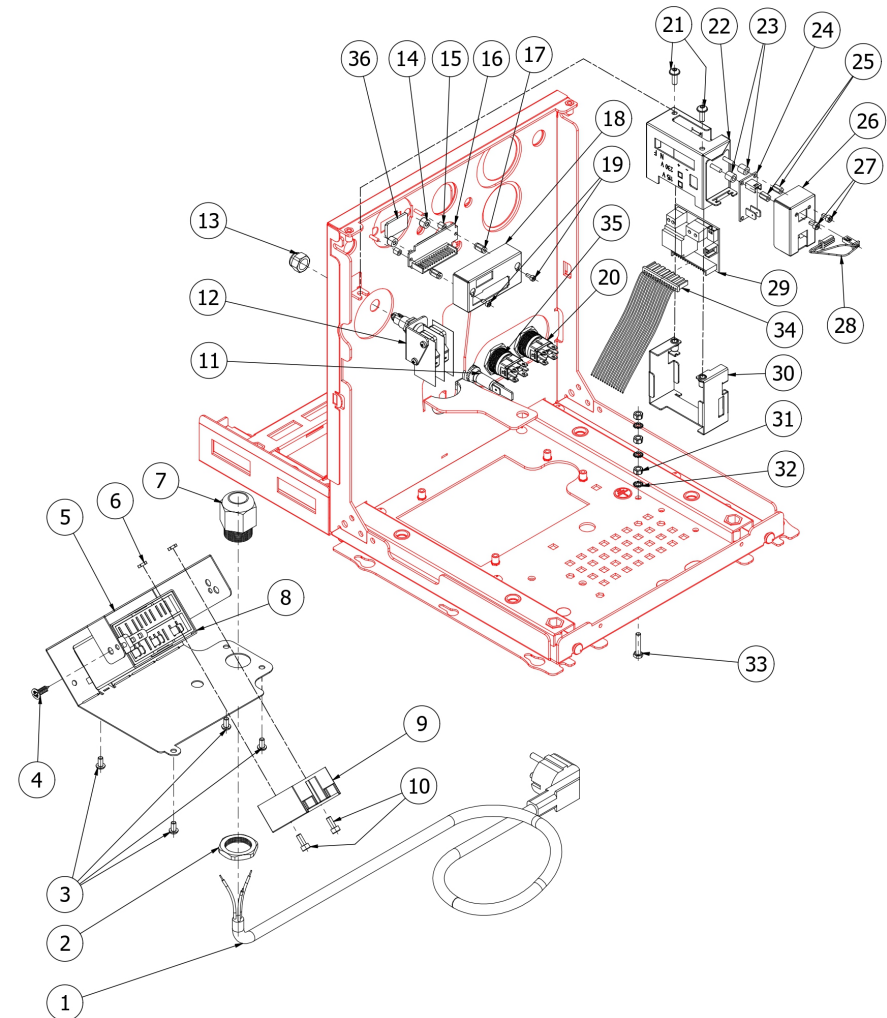


TABLE 6B

LUCE PID FAST HEATING

| POS | CODE | DESCRIPTION |
|-----|------------|-------------------------------------|
| 24 | 7665545 | OPTO TIMER BOARD (PR) |
| 25 | 7639915 | PLASTIC SPACER M3X8 |
| 26 | 5053061LW | COVER OPTO TIMER (PR) |
| 27 | 7816016 | SCREW TCEI M3X6 |
| 28 | 7663641 | CONNECTION CABLE CARD |
| 29 | 7434026.03 | TERMOSTAT TPID 110V WITHOUT DISPLAY |
| 29 | 7434027.03 | THERMOSTAT TPID 230/240V S/DISP |
| 30 | 5058513LL | SUPPORT PID CARD W/COMPASSES |
| 31 | 7822603 | NUT M4 OT |
| 32 | 7814001 | WASHER D4 DIN 6798A A2 |
| 33 | 7826411 | SCREW TE M4X20 UNI5739 OT |
| 34 | 7663640 | CABLE 15 VIE FEMALE L.320MM |
| 35 | 7633358SG | INTERR.ANTIV.110V QN22-L FAST HEAT. |
| 35 | 7633357SG | INTERR.ANTIV.230V QN22-L FAST HEAT. |
| 36 | 5370046 | PLEXIGLASS H3 TERMOPID FAST HEATING |

TABLE 6B

LUCE PID FAST HEATING

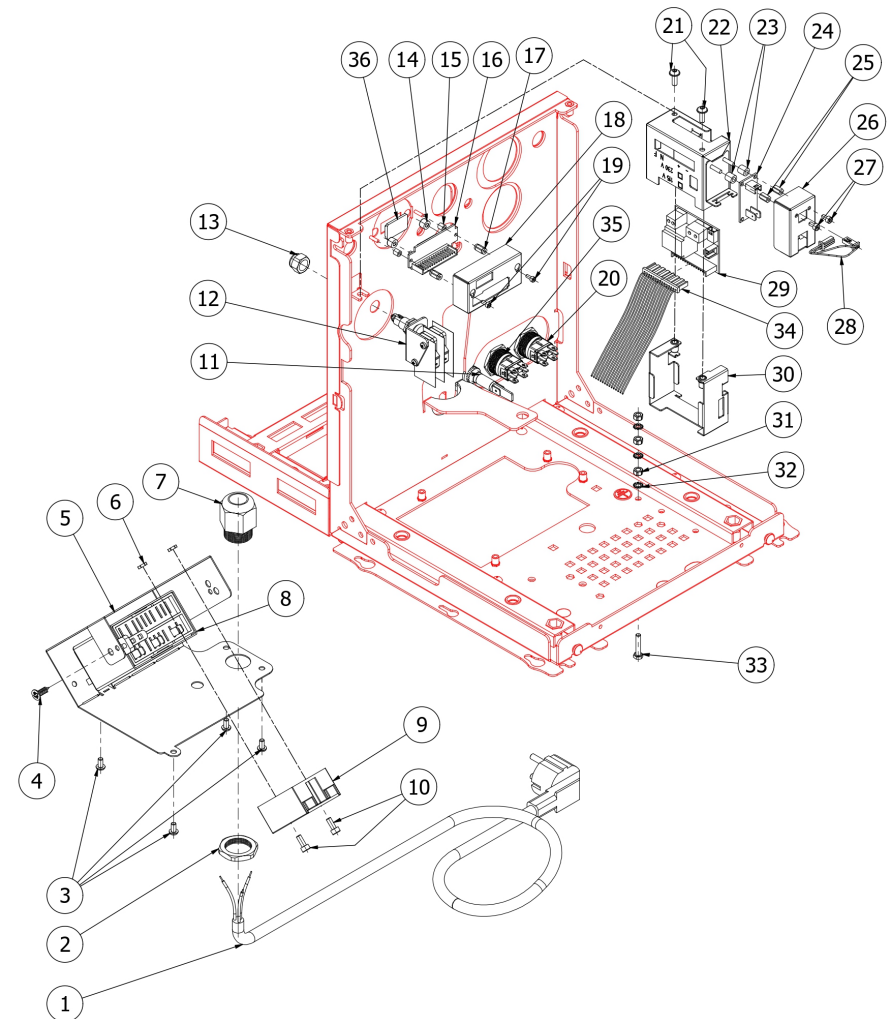
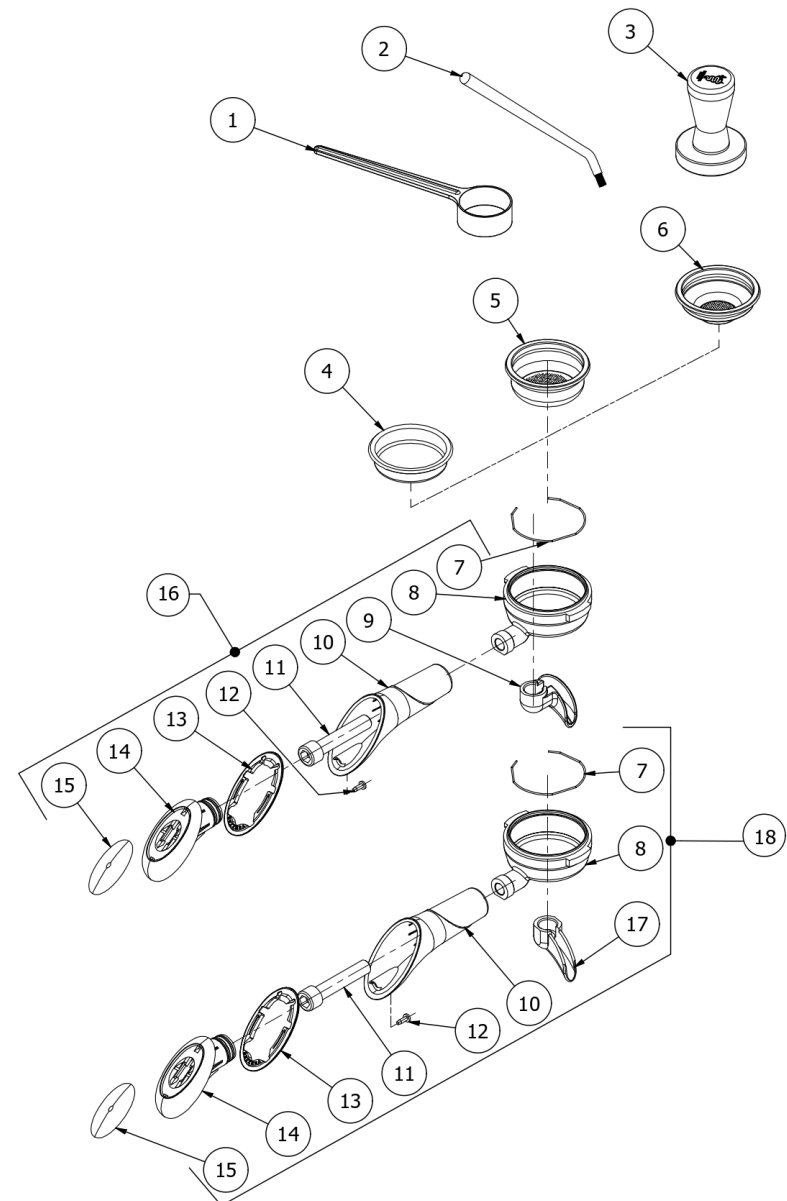


TABLE 7
LUCE

| POS | CODE | DESCRIPTION |
|-----|--------------|------------------------------------|
| 1 | 5372101 | BLACK MEASURE |
| 2 | 7990603 | CLEANING BRUSH FOR COFFEE MACHINE |
| 3 | 5963289.01AN | COFFEE TAMPER WITH BLACK KNOB |
| 4 | 5471038 | BLIND FILTER AISI304 |
| 5 | 5471035 | FILTER 2 CUPS 20 GRAMS |
| 6 | 5471031.01 | FILTER 1 CUP 10 GRAMS |
| 7 | 5471527 | FILTER-HOLDER SPRING D1.2 AISI 302 |
| 8 | 7479972.01TW | RETRO FILTER-HOLDER ONLY HANDLE |
| 9 | 7305007TW | SPOUT 2 WAYS WITHOUT PB+PWP |
| 10 | 5371203 | HANDLE |
| 11 | 7816026 | SCREW TCEI M12X60 |
| 12 | 7809810 | SCREW PLAS FIX 45 TC POZI D.3,5X10 |
| 13 | 7493021 | GASKET FOR LOGO HANDLE |
| 14 | 5371204.01 | CHROMED PLUG |
| 15 | 5371205.01 | BEZZERA VINTAGE LOGO LABEL |
| 16 | 5965590.03R | ASSY FILTER-HOLDER E61 GROUP 2CUPS |
| 17 | 7305006TW | SPOUT 1 WAY S/PB+PWP |
| 18 | 5965588.03R | ASSY FILTER-HOLDER E61 GROUP 1CUP |

TABLE 7
LUCE



G.BEZZERA S.R.L.
MACCHINE PER CAFFE' ESPRESSO
Via Luigi Bezzera,1
20088 Rosate - Milano - Italy
Tel. +39 02 90848102 r.a.
Web: www.bezzera.com
e-mail: admin@bezzera.it