



HOBBY 01

COD. 9942062.02

REV. 00 ed.07/25



TABLE 1
HOBBY 01

POS	CODE	DESCRIPTION
1	5192004	SHEATH
2	5096324LW	CUPS HEATER HOBBY W/SOLENOID
3	7819908	SCREW TTEI M4X8
4	7373009.01	TANK 3 LITERS
5	7613004	FAIRLEAD WITH HOLE RUBBER
6	5345001.02VCR	COMPLETE PAINTED FRAME HOBBY WHITE (R)
6	5345001.02VNR	COMPLETE PAINTED FRAME HOBBY BLACK (R)
6	5345004VTR	COMPLETE PAINTED FRAME HOBBY RED (R)
6	5345007.01R	COMPLETE FRAME HOBBY INOX (R)
7	7816002	SCREW TCEI M4X12 UNI 5931 A2
8	7613007	FAIRLEAD M17V 3121145 RUBBER
8	7613503	WIRE PASS M/10
9	5194646	SILICON TUBE 8X5X600
10	5224415	RUBBER-HOLDER 6X1/8
11	5302081	DRAIN FITTING
12	7474212	ADHESIVE FEET
13	7819901	SCREW TBEI M4X12 ISO 7380 A2 INOX
14	7496018	OR GASKET 105
15	5302080	JUNCTION FOR DISCHARGE VALVE
16	7373004LL	DRIP TRAY WITH HOLE
17	7496035	OR GASKET D4.2 X 1.9 VITON
18	5224002	STUD D8.5 X 17.5 OT
19	7496076	GASKET OR 112 EP856 80SH
20	5191003	DISCHARGE VALVE BODY
21	5094517	DRAIN GRID
22	7633343	STEAM BLACK SWITCH W/ORANGE LED
23	7633342	COFFEE BLACK SWITCH W/ORANGE LED
24	7632108	GREEN LIGHT SWITCH PUMP V250 16A
25	7633341	BLACK SWITCH W/ORANGE LED
26	5058448LL	PRE-ASSEMBLY SUPPORT HOBBY

TABLE 1
HOBBY 01

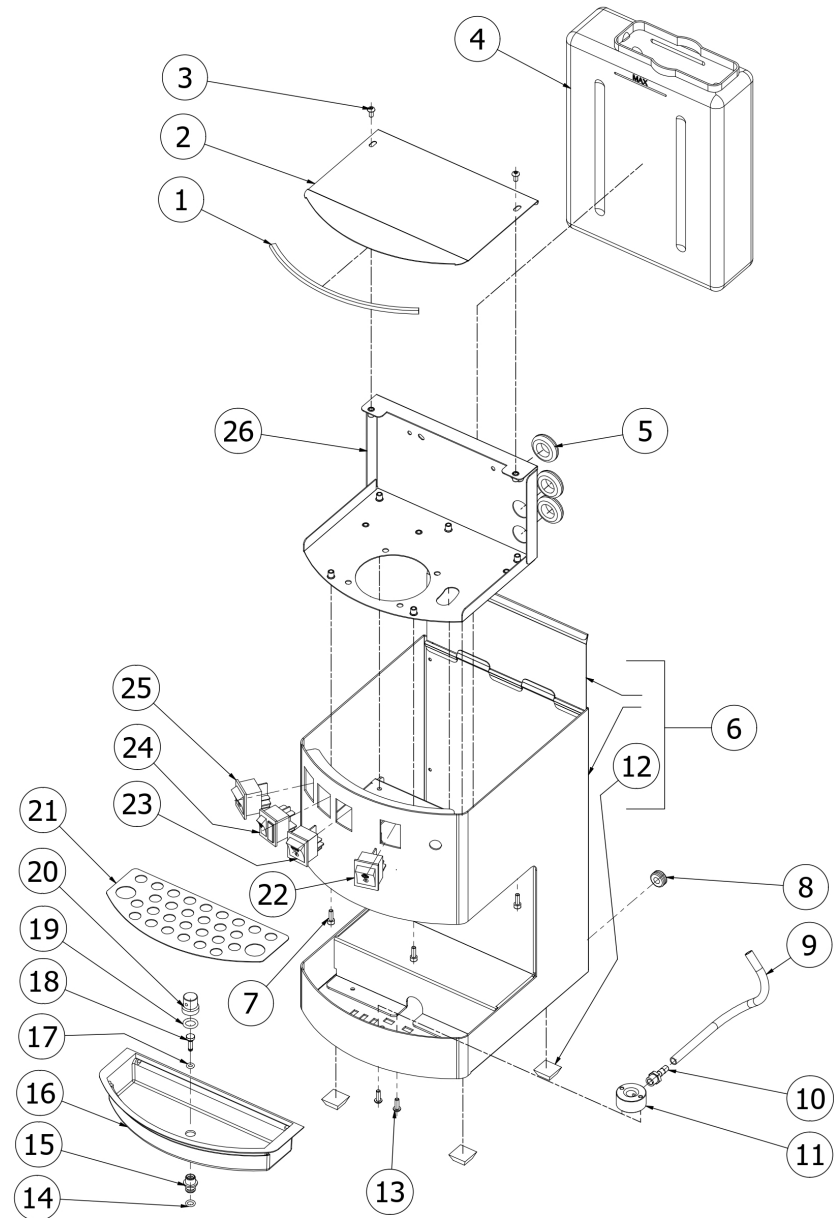


TABLE 2
HOBBY 01

POS	CODE	DESCRIPTION
1	7493022	COUPLING RING RED GASKET BZ GROUP
2	7809905	SCREW M5X12 A2
3	5470501	SHOWER D57 AISI 304
4	5285501AL	SHOWER-HOLDER D57 H7.5 OT60LF
5	5222824	RING NUT M12X6,5
6	7816002	SCREW TCEI M4X12 UNI 5931 A2
7	5280514TW-AL	COUPLING RING D88.5 HOBBY
8	7811401	NUT M6 UNI5587 STAINLESS STEEL
9	5229918TP	TUBE
10	7634814	MAN.TERMIC SAFETY DEV.250V 162°C
11	7814002	NOTCHED WASHER D4
12	7816011	SCREW TCEI M5X20 UNI5931 A2
13	7303056	FITTING M 1/8
15	5226411TP	PLUG 1/8
16	7634824	THERMIC PROTECTION 250V
17	7496018	OR GASKET 105
19	7303034TR	UNION ELBOW 1/8
20	5264020TP	STUD
21	7634821	AUT.THERMIC SAFETY DEVICE 250V 150°
22	7825005	PLAIN WASHER D13 X 6.7 X 0.5
23	5222210	SPACER M4 H11
24	7615002	DOUBLE FASTON 90° HOLE D6.3
25	5221858	WASHER D10 X 2 COPPER
26	5301522TP	UNION ELBOW M10X1/8
27	5494001	GASKET D8.5 X 5 X 3.2 PTFE
28	7816208	SCREW TCI M4X6 UNI 6107 A2
30	7305502TP	SPRING HOLDER PLUG
31	5471541	SPRING D9X30 AISI302
32	7305005TP	GASKET HOLDER WITHOUT PB-NI
33	7497005	GASKET D9 X 3 VITON

TABLE 2
HOBBY 01

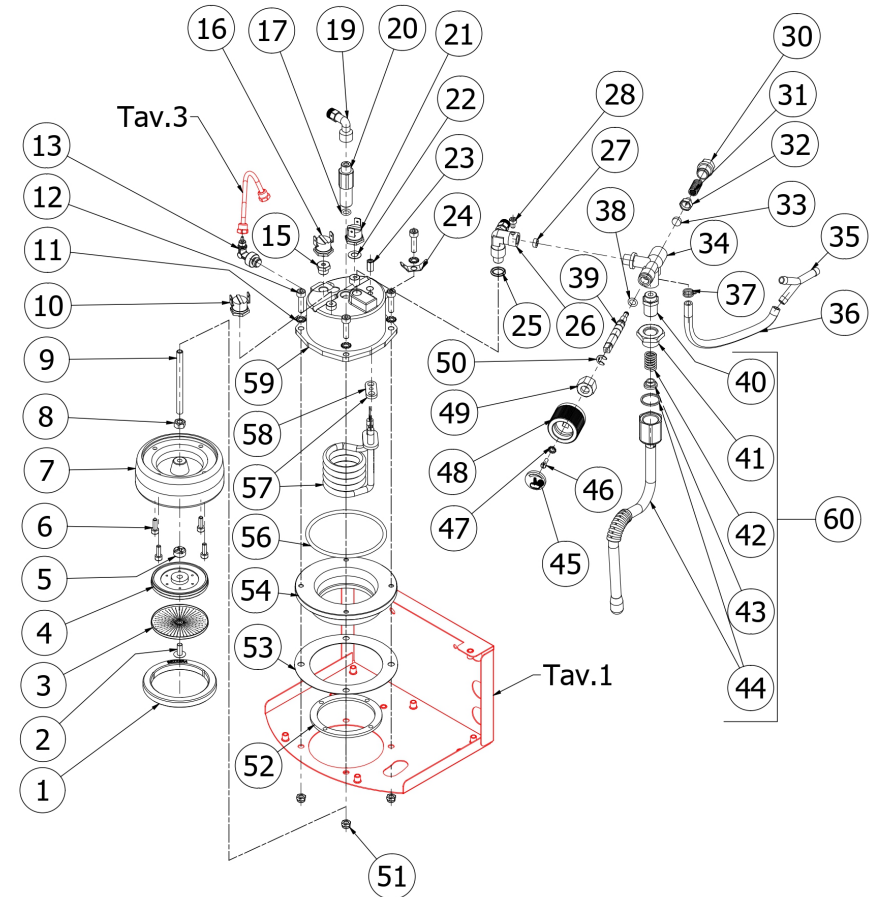


TABLE 2
HOBBY 01

POS	CODE	DESCRIPTION
34	5283034TP	RUBBER BODY (NEW TYPE) OT S / PB-NI
35	7303039	FITTING
36	5194611	SILICON TUBE 8X5X140
37	7611515	CLAMP
38	7496065	OR GASKET D5 X 1.8 VITON
39	5220202TP	SHAFT D8X65.2 OT WITHOUT PB-NI
40	5225251AL	FITTING M12XM13 H23 OT57USA
41	5225407TW	REDUCTION M13X3/8
42	5471531	SPRING KIT WATER/STEAM JUNCTION
43	5220605	COMPLETE CUP
44	7479999	TERMINAL STEAM PIPE 2 HOLES HOBBY
45	5373901.01	STEAM PLUG HOBBY D21 ABS BLACK
46	7816205	SCREW TCI M4X10 UNI 6107 OT
47	7814001	WASHER D4 DIN 6798A A2
48	5371801	KNOB
49	5221866	NUT M13 X 1 ES.16 H11.5 HOLE D9 OT
50	7810605	RING D5 UNI 7434 A2
51	7811601	SELF-LOCKING NUT M5 UNI 7474 A2
52	5493044	GASKET D72X58X3 60SH
53	5492023	GASKET D103X73X0.5 ASBESTOS FREE
54	5287508TP	COUPLING RING SUPPORT
56	7496060	OR GASKET 177 VITON
57	5722253R	HEATING ELEMENT 230/240V 1100W
57	5722254R	HEATING ELEMENT 110/120V 1100W
58	7493009	HEATING ELEMENT GASKET HOBBY
59	5283054TP	BODY BOILER OT60 HOBBY
60	5966571	ASSY STEAM TAP 2 HOLES

TABLE 2
HOBBY 01

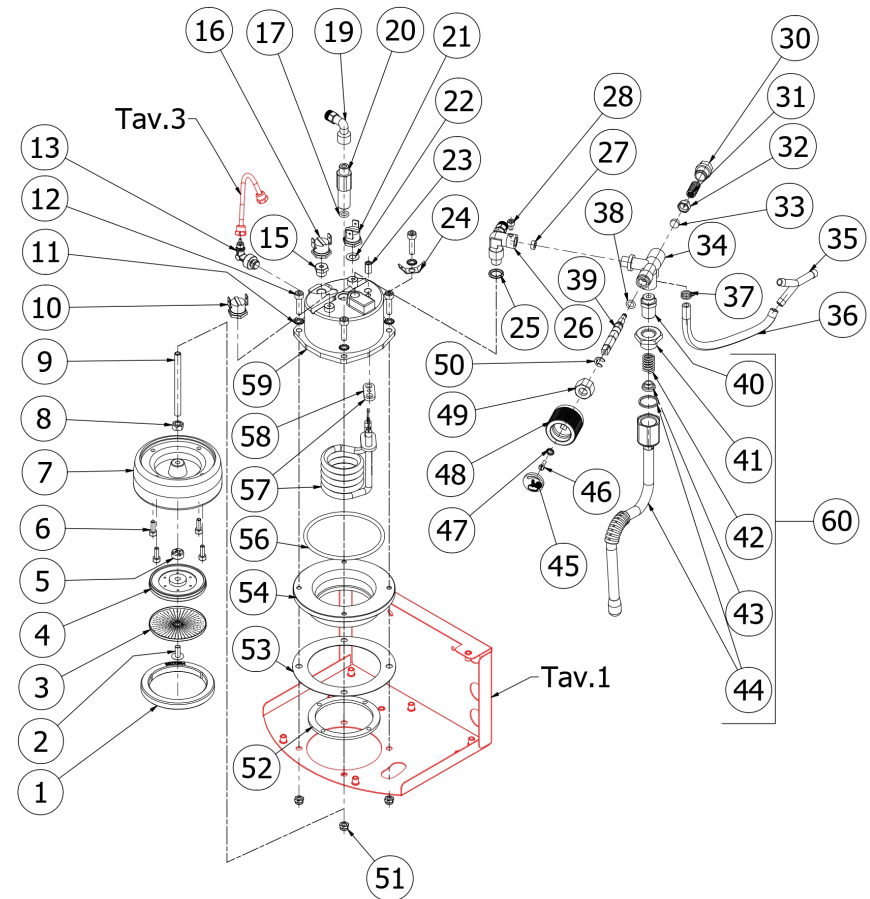


TABLE 3
HOBBY 01

POS	CODE	DESCRIPTION
1	5370314	TRAY RUBBER-HOLDER EV HOBBY GROUP
2	5194613	PIPE D4X1 L=130MM PTFE
3	7303042TR	ELBOW FITTING M1 / 8
4	5221844	NUT 1/8
5	7702418R	SOLENOID VALVE 3 WAYS ODE 230/240V
5	7702419R	SOLENOID VALVE 3 WAYS ODE 110/120V
6	7303036TR	FITTING M 1/8
7	5194596	PUMP/SOLENOID VALVE PIPE STREGA
8	7816002	SCREW TCEI M4X12 UNI 5931 A2
9	7614005	CABLE-PRESS
10	7816017	SCREW TCEI M4X6
11	7496018	OR GASKET 105
12	7452516	SELF-PRIMING VALVE
13	7496023	GASKET OR 106 VITON
14	7303056	FITTING M 1/8
15	5194676LL	ASSY TUBE PTFE 4X120
16	5194586	HOSE 8X5 L=200 SILICONE
17	7303039	FITTING
18	5194540	SILICON PIPE D8X5X1.5 L=300
19	7303006	RUBBER-HOLDER FITTING
20	7816004	SCREW TCEI M4X16 A2
21	7815003	PLAIN WASHER D5 UNI 6592 A2
22	7634816	THERMIC SAFETY DEV.AUT.PUMP 100°
23	7731025.01	VIBRATION PUMP OLAB PLUS 100V
23	7731026.01	VIBRATION PUMP OL PLUS 220V 50/60HZ
23	7731024.01	VIBRATION PUMP PLUS 120V 60HZ OT57
23	7731023.01	VIBRATION PUMP OL PLUS 230V 50HZ OT
23	7731027.01	VIBRATION PUMP PLUS 240V 50HZ OT57
24	5194551	HOSE Ø 8x5 SILICONE L=450 1GR
25	5194619	SILICON TUBE D15X12 L=13

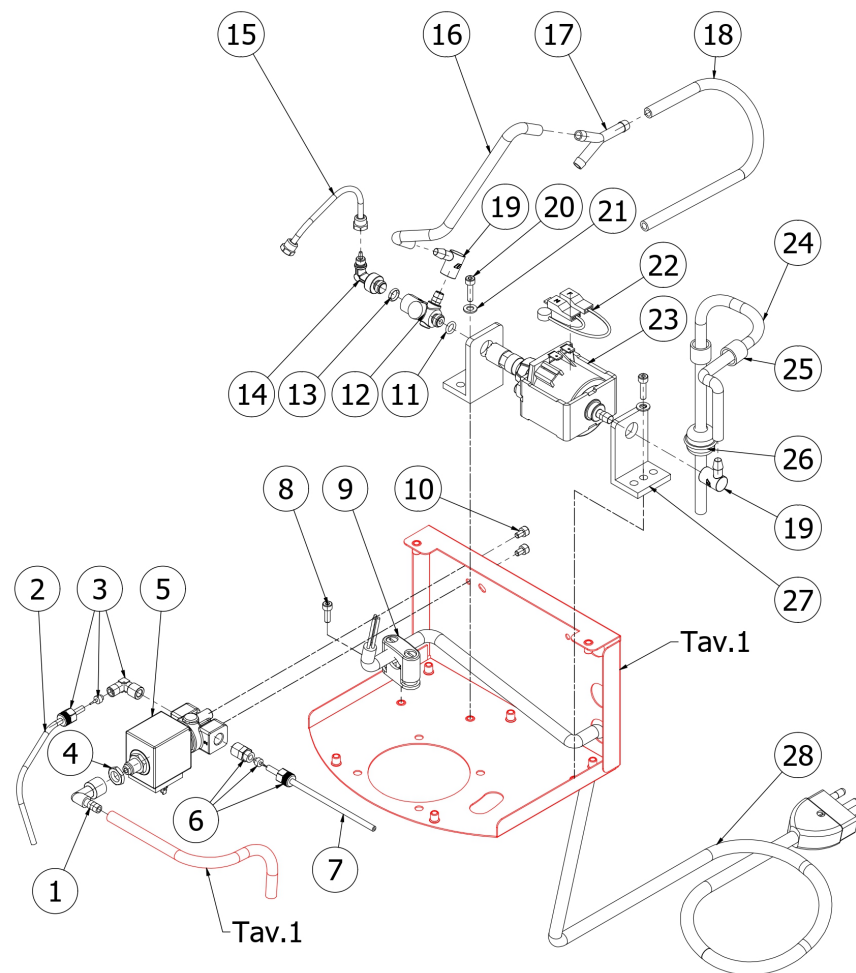
TABLE 3
HOBBY 01

TABLE 3
HOBBY 01

POS	CODE	DESCRIPTION
26	7374015	WATER FILTER 200 MICRON
27	7470602	VIBRATION-DAMPING
28	5962536	ASSY CABLE 110V HOB01
28	5962534	ASSY CABLE 230V HOB01
28	5962535	ASSY CABLE 240V HOB01

TABLE 3
HOBBY 01

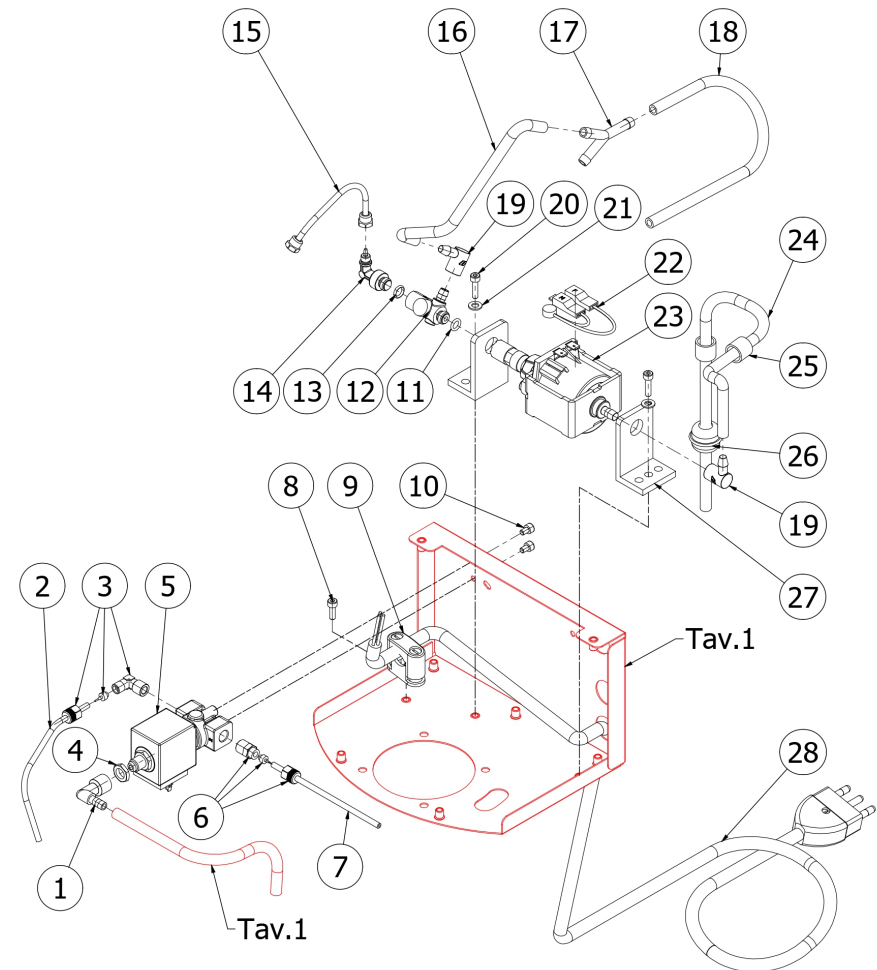
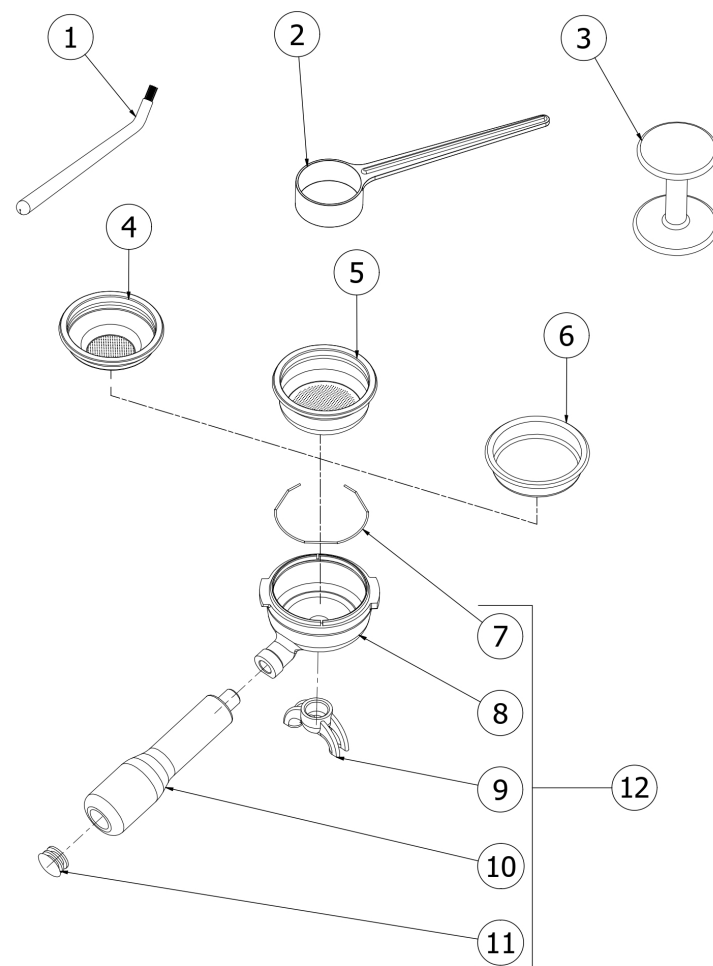


TABLE 4
HOBBY 01

POS	CODE	DESCRIPTION
1	7990603	CLEANING BRUSH FOR COFFEE MACHINE
2	5372101	BLACK MEASURE
3	5373001	COFFEE-PRESS ABS
4	5471031.01	FILTER 1 CUP 10 GRAMS
5	5471035	FILTER 2 CUPS 20 GRAMS
6	5471038	BLIND FILTER AISI304
7	5471527	FILTER-HOLDER SPRING D1.2 AISI 302
8	5286016TW	FILTER-HOLDER TILTED HANDLE BZ
9	7288501TW	SPOUT 2 WAY SHORT
10	7371502	FILTER-HOLDER KNOB
11	5373915CM	FILTER-HOLDER PLUG D16.5
12	5965604.01R	FILTER-HOLDER COMPLETE 2 CUPS

TABLE 4
HOBBY 01



G.BEZZERA S.R.L.
MACCHINE PER CAFFE' ESPRESSO
Via Luigi Bezzera,1
20088 Rosate - Milano - Italy
Tel. +39 02 90848102 r.a. - Telefax +39 02 90870287
Web: www.bezzera.com
e-mail: admin@bezzera.it