



# GALATEA DOMUS

**COD. 9942031.07**

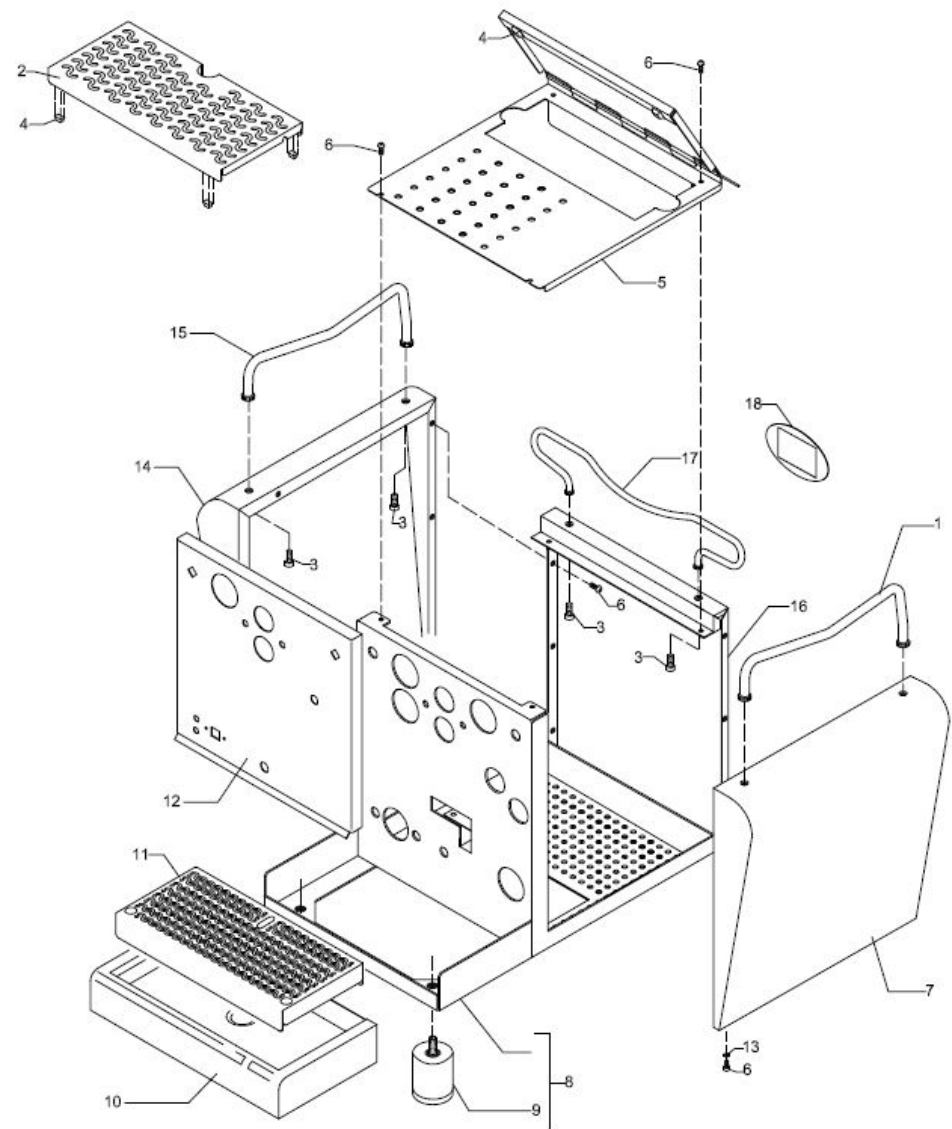
**REV. 00 ed.01/26**



TABLE 1  
GALATEA DOMUS Mod.S

POS	CODE	DESCRIPTION
1	5163184CM	RH CUP-HEATER PIPE
2	5074616LW	CUPS-HEATER GRID
3	7819912	SCREW M4X6
4	7474217	ADHESIVE FEET 12,7 H5,8
5	5961602.01	CUPS-HEATER
6	7816002	SCREW TCEI M4X12
7	5073631DL	RIGHT LATERAL SIDE
8	5340003.05LL	CHASSIS BLACK
9	7474218	FEET M10 D40X46
10	5340506DL	TRAY POLISHED
11	5074617LW	DIP TRAY GRID
12	5074443SG	GROUP FRONTAL
12	5074462SG	GROUP FRONTAL 2 GAUGE
13	7809804	PLAIN WASHER D4
14	5073632DL	LEFT LATERAL SIDE
15	5163185CM	LH CUP-HEATER PIPE
16	5071720DL	REAR PANEL
17	5163186CM	REAR CUP-HEATER EDGE PIPE
18	5521512	LABEL

TABLE 1  
GALATEA DOMUS Mod.S



**BEZZERA**

**GALATEA DOMUS**

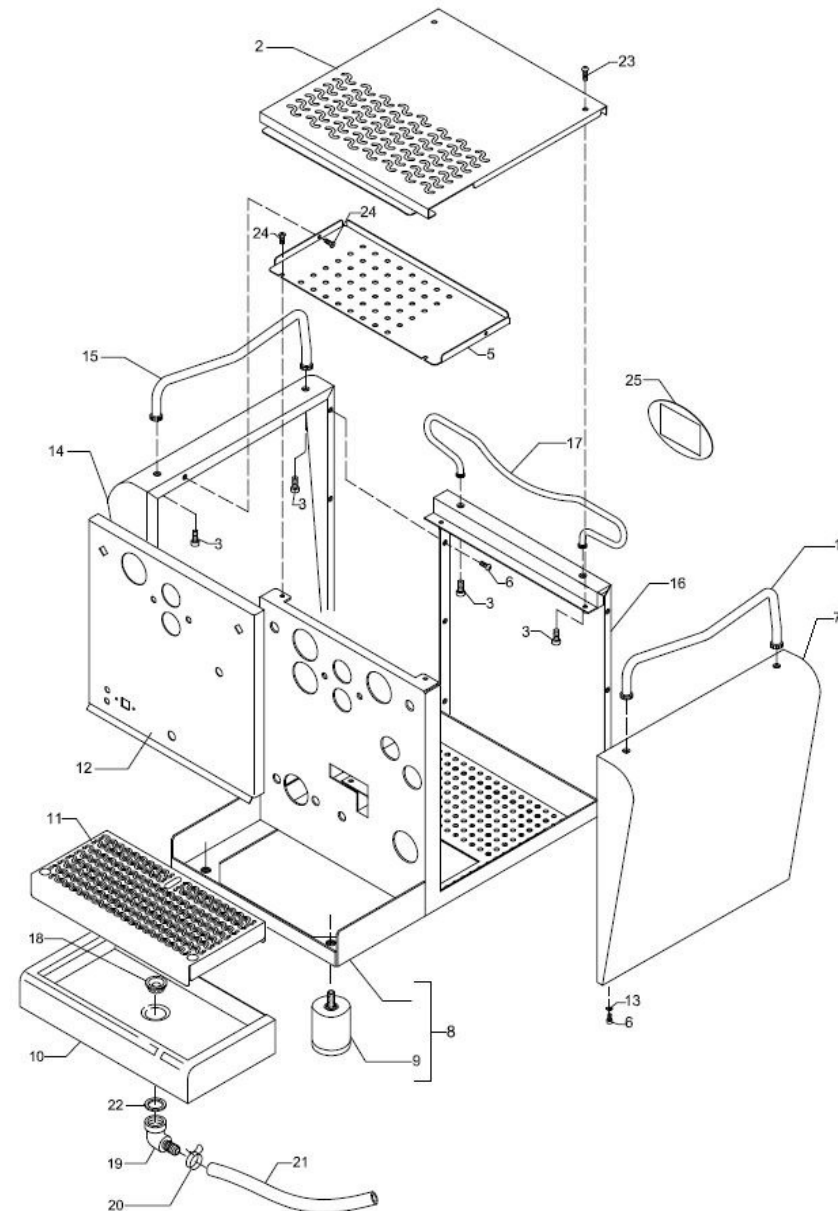
TABLE 1A  
GALATEA DOMUS Mod.R

POS	CODE	DESCRIPTION
1	5163184CM	RH CUP-HEATER PIPE
2	5074620LW	CUPS-HEATER GRID
3	7819912	SCREW M4X6
5	5056330LW	CUPS-HEATER
6	7816002	SCREW TCEI M4X12
7	5073631DL	RIGHT LATERAL SIDE
8	5340003.05LL	CHASSIS BLACK
9	7474218	FEET M10 D40X46
10	5340506LL	TRAY POLISHED
11	5074617LW	DIP TRAY GRID
12	5074462SG	GROUP FRONTAL 2 GAUGE
12	5074443SG	GROUP FRONTAL
13	7809804	PLAIN WASHER D4
14	5073632DL	LEFT LATERAL SIDE
15	5163185CM	LH CUP-HEATER PIPE
16	5071720DL	REAR PANEL
17	5163186CM	REAR CUP-HEATER EDGE PIPE
18	5225230	FITTING 3/8
19	5224403.01	RUBBER-HOLDER D11 OT
20	7611502	CLAMP D14
21	7303502	HOSE D14 L=1.5M PLASTIC
22	5492022	GASKET D25 X 17 X 2
23	7819911	SCREW TTEI M4X25
24	7819901	SCREW TTEI M4X12 ISO 7380 A2 INOX
25	5521512	LABEL

**BEZZERA**

**GALATEA DOMUS**

TABLE 1A  
GALATEA DOMUS Mod.R



**BEZZERA**

**GALATEA DOMUS**

TABLE 2 - (up to 11/11/2009)  
GALATEA DOMUS Mod.s

POS	CODE	DESCRIPTION
1	7373006.01	TANK
2	7812601	NUT M4 STAINLESS STEEL
3	7374004	WASHER D4 NYLON
4	7819908	SCREW TTEI M4X8
5	7374002	FILTER 1/4
6	5302065	REDUCTION GEAR 1/4
7	7496073	OR GASKET 115 EP856
8	5471521.01	COUPLING SPRING
9	5471509	BALL 7/32 AISI 304
10	5224617	GASKET-HOLDER D14.5 X 25 OT
11	5963009.03	ASSEMBLY TANK SUPPORT
12	7496076	OR GASKET 112 EPDM 70SH
15	5221830	NUT M20 H5 OT
16	5225228	FITTING M20 H28.5 OT
17	7826206	SCREW TCI M3X30 UNI 6107 OT
18	5225246	FITTING 1/8G CONIC ES.10 H33 OT
19	5194529	CRISTAL HOSE D6 X 9 L=150MM
20	7611512	CLAMP
21	7731018	VIBRATION PUMP EX5 100V C/OR
21	7731019	VIBRATION PUMP EX5 120V WITH OR
21	7731022	VIBRATION PUMP EX5 220V 60HZ WITH OR
21	7731020	VIBRATION PUMP EX5 230V WITH OR
21	7731021	VIBRATION PUMP EX5 240V WITH OR
22	7303006	RUBBER-HOLDER FITTING
23	7304523	UNION ELBOW 1/8
24	7634816	THERMIC SAFETY DEVICE 100°C AUTOMATIC
25	5471534	SHAPED SPRING
26	5493023	TAP GASKET EPT 70SH
27	7805009	PLAIN WASHER D5 X 11 X 1
28	7806002	SCREW TCEI M4 X 12 UNI 5931 8.8 ZN

**BEZZERA**

**GALATEA DOMUS**

TABLE 2 - (up to 11/11/2009)  
GALATEA DOMUS Mod.s

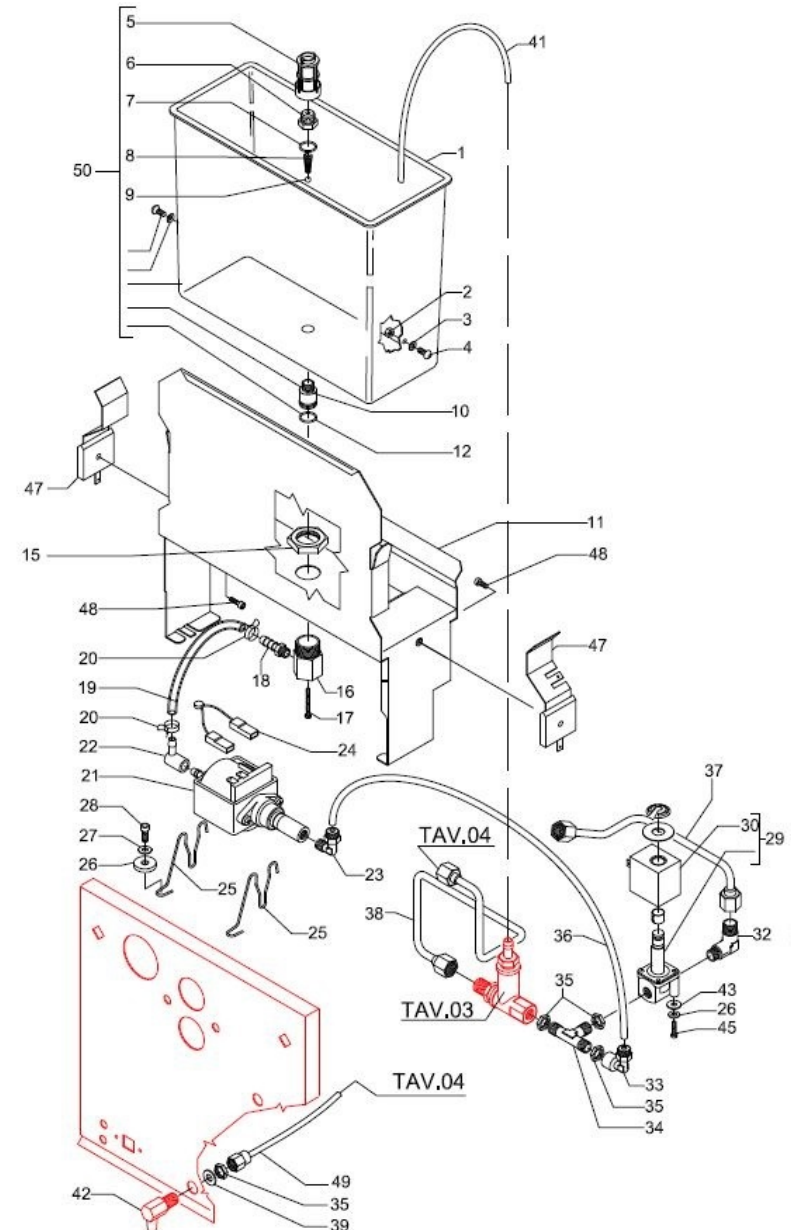
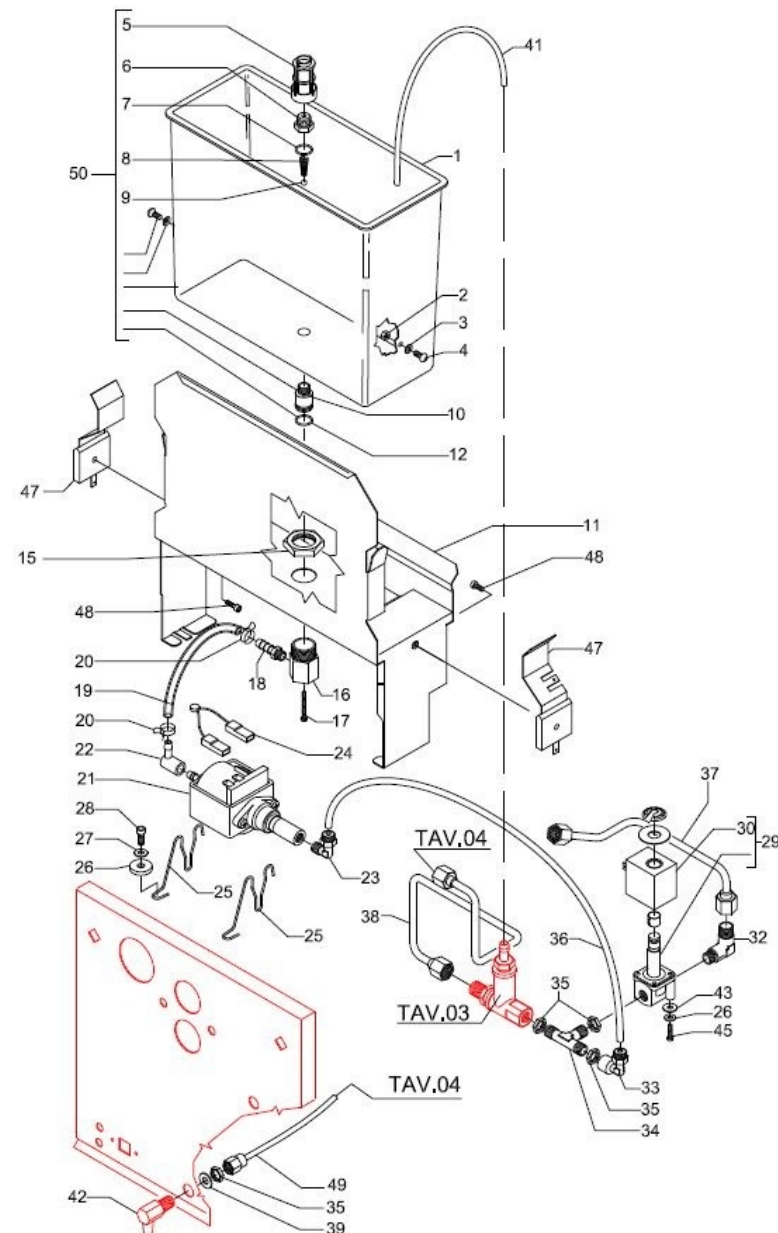


TABLE 2 - (up to 11/11/2009)  
GALATEA DOMUS Mod.s

POS	CODE	DESCRIPTION
29	7701111	SOLENOID VALVE 2 WAY 115V PARKER
29	7702310	SOLENOID VALVE 2 WAY 230V PARKER
29	7702409	SOLENOID VALVE 2 WAY 240V PARKER
30	7630327	SOLENOID VALVE COIL 110V PARKER
30	7630328	SOLENOID VALVE COIL 220/230V PARKER
30	7630329	SOLENOID VALVE COIL 240V PARKER
32	5301504TR	UNION ELBOW 1/8
33	7303010	UNION ELBOW 1/8
34	7304509TR	FITTING
35	5221844	NUT 1/8
36	5194519	HOSE PTFE D6x1 L=180
37	5162237LL	BOILER LOAD HOSE
38	5162236LL	SURPRESSION VALVE - HEAT EXCHANGER HOSE
39	7815001	WASHER D10 UNI 6592 A2
41	5194542LL	DRAIN HOSE L=700MM SILICONE
42	5283018CM	DRAIN FITTING FOR SURPRESSION VALVE 1/8•G CHROMED
43	7809804	PLAIN WASHER D4
45	7815603	SCREW TCC M3 X 12
47	5471535	TANK SUPPORT SHAPED SPRING
48	7809806	SCREW TC M 3,5X8 PLASTITE
49	5194559LL	SURPRESSION VALVE HOSE
50	5963070.01	ASSEMBLY TANK WITH FILTER

TABLE 2 - (up to 11/11/2009)  
GALATEA DOMUS Mod.s

**BEZZERA**

**GALATEA DOMUS**

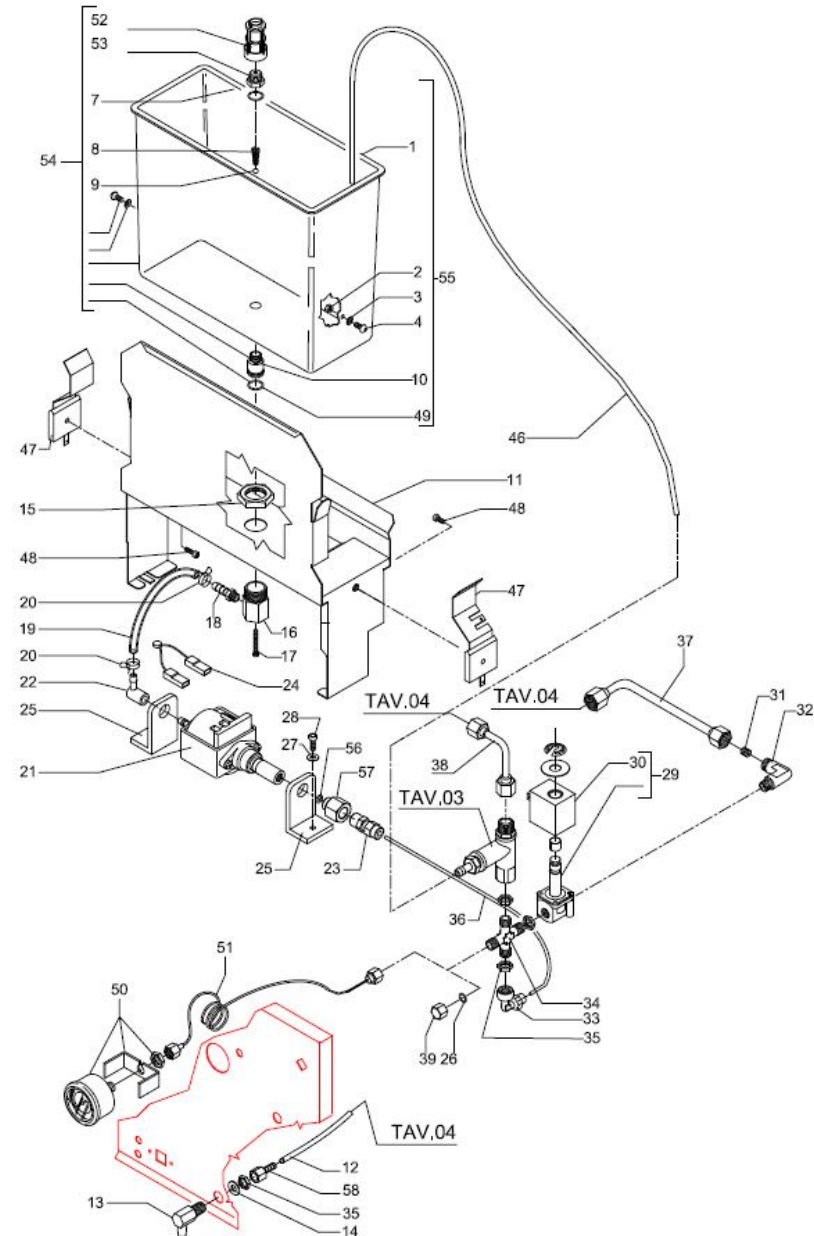
TABLE 2 - (from 12/11/2009 )  
GALATEA DOMUS Mod. S

POS	CODE	DESCRIPTION
1	7373006.04	TANK
2	7812601	NUT M4 STAINLESS STEEL
3	7374004	WASHER D4 NYLON
4	7819908	SCREW TTEI M4X8
7	7496073.01	OR GASKET 115 EP856
8	5471521.01	COUPLING SPRING
9	5471509	BALL 7/32 AISI 304
10	5224617	GASKET-HOLDER D14.5 X 25 OT
11	5963009.03	ASSEMBLY TANK SUPPORT
12	5194559	SURPRESSION VALVE HOSE
13	5283018CM	DRAIN FITTING FOR SURPRESSION VALVE 1/8•G CHROMED
14	7815001	WASHER D10 UNI 6592 A2
15	5221830	NUT M20 H5 OT
16	5225228.01	FITTING M20 H28.5 OT
17	7826206	SCREW TCI M3X30 UNI 6107 OT
18	5225246	FITTING 1/8G CONIC ES.10 H33 OT
19	5194529	CRISTAL HOSE D6 X 9 L=150MM
20	7611512	CLAMP
21	7731018	VIBRATION PUMP EX5 100V C/OR
21	7731019	VIBRATION PUMP EX5 120V WITH OR
21	7731022	VIBRATION PUMP EX5 220V 60HZ WITH OR
21	7731020	VIBRATION PUMP EX5 230V WITH OR
21	7731021	VIBRATION PUMP EX5 240V WITH OR
22	7303006	RUBBER-HOLDER FITTING
23	7303036TR	STRAIGHT FITTING 1/8
24	7634816	THERMIC SAFETY DEVICE 100°C AUTOMATIC
25	7470602	VIBRATION-DAMPING
26	5492019	GASKET D8 X 2 ASBESTOS FREE
27	7805009	PLAIN WASHER D5 X 11 X 1
28	7816004	SCREW TCEI M4 X 16

**BEZZERA**

**GALATEA DOMUS**

TABLE 2 - (from 12/11/2009 )  
GALATEA DOMUS Mod. S



**BEZZERA**

**GALATEA DOMUS**

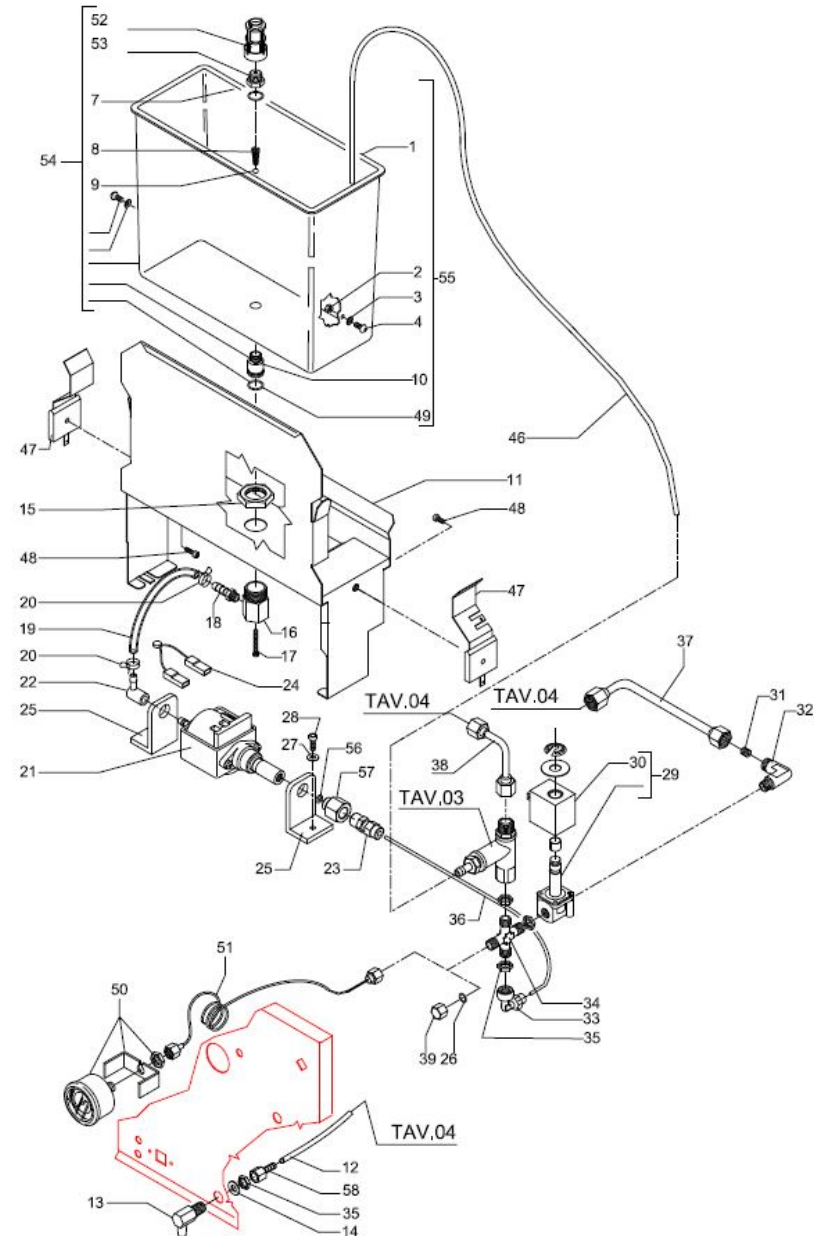
TABLE 2 - (from 12/11/2009 )  
GALATEA DOMUS Mod. S

POS	CODE	DESCRIPTION
29	7701111	SOLENOID VALVE 2 WAY 115V PARKER
29	7702310	SOLENOID VALVE 2 WAY 230V PARKER
29	7702409	SOLENOID VALVE 2 WAY 240V PARKER
30	7630327	SOLENOID VALVE COIL 110V PARKER
30	7630328	SOLENOID VALVE COIL 220/230V PARKER
30	7630329	SOLENOID VALVE COIL 240V PARKER
31	5223003	JET M6 X 6 HOLE D0.8 OT
32	5301504TR	UNION ELBOW 1/8
33	7303034TR	UNION ELBOW 1/8
34	7304001TR	UNION 1/8
35	5221844	NUT 1/8
36	5194590	PUMP-SOLENOID VALVE HOSE
37	5162237.01LL	BOILER LOAD HOSE
38	5162236.01LL	SURPRESSION VALVE - HEAT EXCHANGER HOSE
39	5221835	CAP NUT 1/8
46	5194592	DRAIN HOSE SURPRESSION VALVE
47	5471535	TANK SUPPORT SHAPED SPRING
48	7809806	SCREW TC M 3,5X8 PLASTITE
49	7496076	OR GASKET 112 EPDM 70SH
50	7432523	PRESSURE GAUGE D40 16BAR
51	7400902	BOYLER-MANOMETER CAPILLARY
52	7374002	FILTER 1/4
53	5302065	REDUCTION GEAR 1/4
54	5963070.04	ASSEMBLY TANK WITH FILTER
55	5963071.04	ASSEMBLY TANK WITH RUBBER-HOLDER
56	7496018	OR GASKET 105OR GASKET 105 VITON VITON
57	5225418TP	FITTING 1/8!
58	5370313	RUBBER-HOLDER 1/8

**BEZZERA**

**GALATEA DOMUS**

TABLE 2 - (from 12/11/2009 )  
GALATEA DOMUS Mod. S



**BEZZERA**

**GALATEA DOMUS**

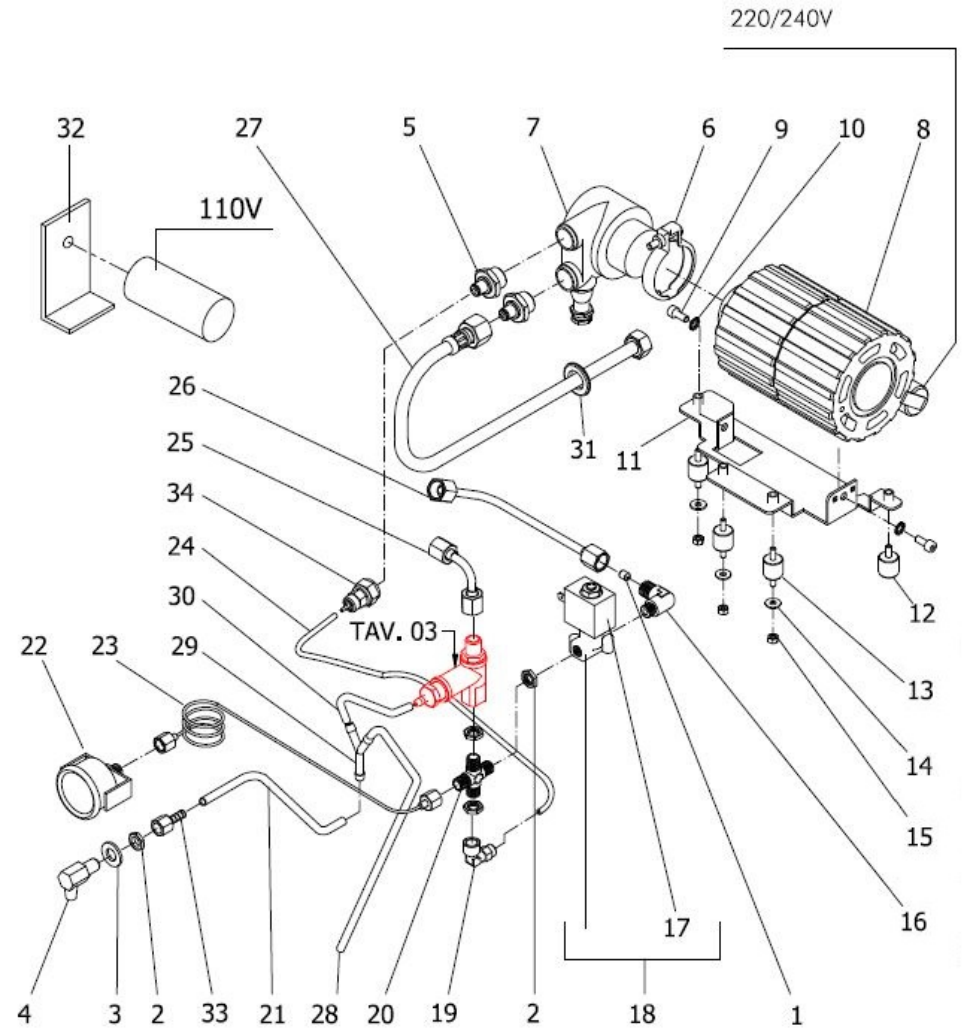
TABLE 2A - (from 21/07/2017 )  
GALATEA DOMUS Mod.R

POS	CODE	DESCRIPTION
1	5223003	JET M6 X 6 HOLE D0.8 OT
2	5221844	NUT 1/8
3	7815001	WASHER D10 UNI 6592 A2
4	5283018CM	DRAIN FITTING FOR SURPRESSION VALVE 1/8•G CHROMED
5	5302023	STRAIGHT FITTING 1/8
6	7611508	PUMP CLAMP
7	7730509	PUMP 50-70L/H+CLAMP+JOINT
8	7742404.01	ELECTRIC MOTOR 220/240V 50/60HZ
8	7741005.01	ELECTRIC MOTOR 110V
9	7816027	SCREW TCEI M5X8
10	7814002	NOTCHED WASHER D5 DIN 6798A A2
11	5058411LL	PUMP SQUARE
12	7474219	FEET
13	7470604	VIBRATION-DAMPING
14	7809804	PLAIN WASHER D4
15	7822603	NUT M4
16	5301504TR	UNION ELBOW 1/8
17	7630327	SOLENOID VALVE COIL 110V PARKER
17	7630328	SOLENOID VALVE COIL 220/230V PARKER
17	7630329	SOLENOID VALVE COIL 240V PARKER
18	7701111	SOLENOID VALVE 2 WAY 115V PARKER
18	7702409	SOLENOID VALVE 2 WAY 240V PARKER
18	7702310	SOLENOID VALVE 2 WAY 230V PARKER
19	7303034TR	UNION ELBOW 1/8
20	7304001TR	UNION 1/8
21	5194559	SURPRESSION VALVE HOSE
22	7432523	PRESSURE GAUGE D40 16BAR
23	7400902	BOYLER-MANOMETER CAPILLARY
24	5194574.01	PUMP-SOLENOID VALVE HOSE
25	5162236.01LL	SURPRESSION VALVE - HEAT EXCHANGER HOSE

**BEZZERA**

**GALATEA DOMUS**

TABLE 2A - (from 21/07/2017 )  
GALATEA DOMUS Mod.R



**BEZZERA**

**GALATEA DOMUS**

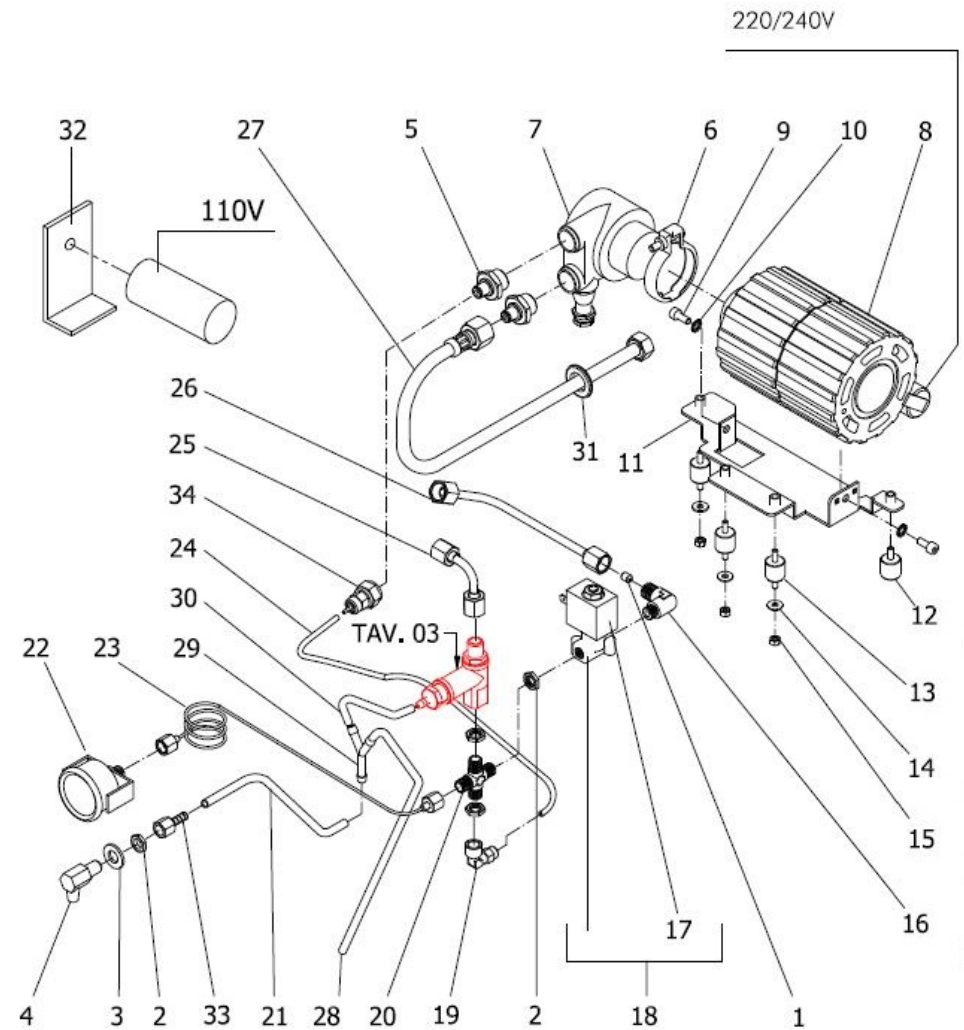
TABLE 2A - (from 21/07/2017 )  
 GALATEA DOMUS Mod.R

POS	CODE	DESCRIPTION
26	5162237.01LL	BOILER LOAD HOSE
27	7200514	FLEXIBLE HOSE 3/8
28	5194571	HOSE D6X4X1 L=200 SILICONE
29	7303033	FITTING
30	5194571	SURPRESSION VALVE HOSE
31	7613004	FAIRLEAD
32	5037842LL	BRACKET (only 110V versions)
33	5370313	RUBBER-HOLDER 1/8
34	7304539TR	STRAIGHT FITTING 1/8

**BEZZERA**

**GALATEA DOMUS**

TABLE 2A - (from 21/07/2017 )  
 GALATEA DOMUS Mod.R



**BEZZERA**

**GALATEA DOMUS**

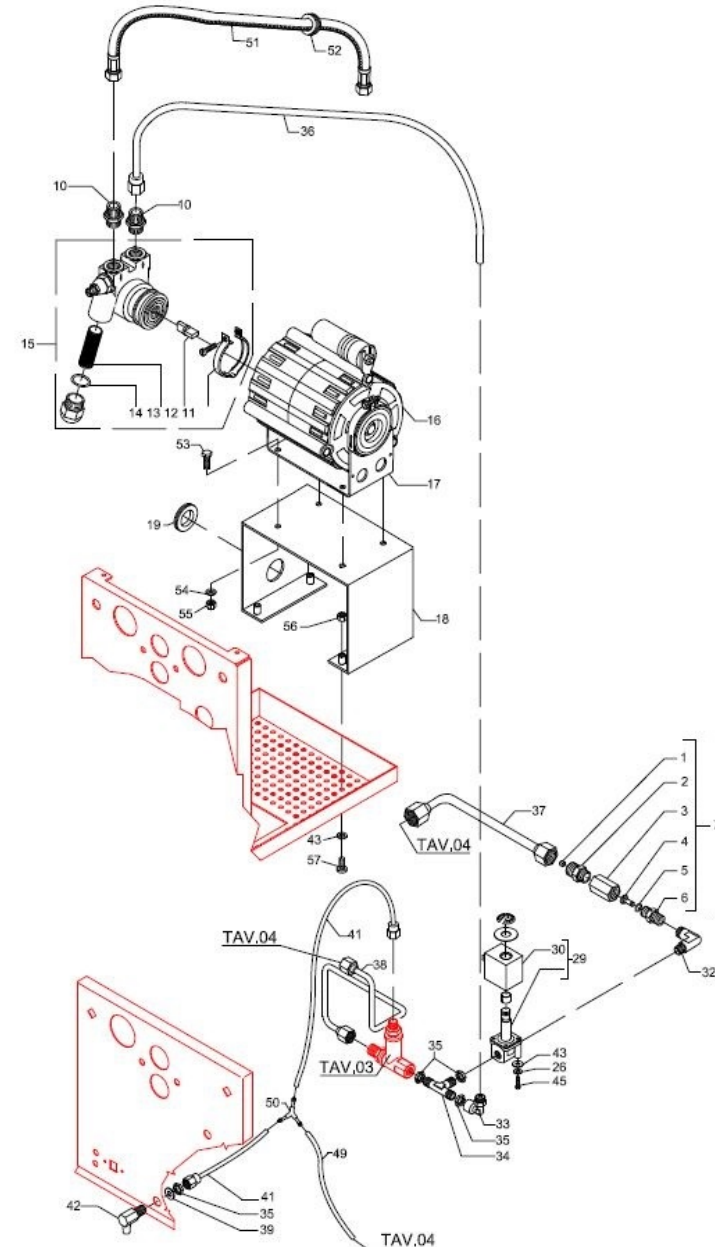
TABLE 2A - (up to 11/11/2009)  
GALATEA DOMUS Mod.R

POS	CODE	DESCRIPTION
1	5223003	JET M6 X 6 HOLE D0.8 OT
2	5225233	FITTING M12 ES.14 H22 HOLE M6 OT
3	5302015	STRAIGHT FITTING 1/8
4	5224002	STUD D8.5 X 17.5 OT
5	7496035	OR GASKET D4.2 X 1.9 VITON
6	7304502LLTR	STRAIGHT FITTING 1/8
7	5965020	ASSEMBLY COMPLETE CHECK VALVE
10	5302032	STRAIGHT FITTING 1/8
11	7611508	PUMP CLAMP
12	7472401	PUMP JOINT
13	7374005	PUMP FILTER
14	7496048	OR GASKET FOR PUMP FILTER PROCON
15	7730506	PUMP 100 L/H PA104X 1-2GR
16	7741102	ELECTRIC MOTOR 110V 18MF
16	7742206	ELECTRIC MOTOR 220/240V 10MF
17	7479976	BRACKET MOTOR
18	5038420LL	MOTOR SUPPORT
19	7613001	FAIRLEAD P36 RUBBER
26	5493023	TAP GASKET EPT 70SH
29	7701111	SOLENOID VALVE 2 WAY 115V PARKER
29	7702310	SOLENOID VALVE 2 WAY 230V PARKER
29	7702409	SOLENOID VALVE 2 WAY 240V PARKER
30	7630327	SOLENOID VALVE COIL 110V PARKER
30	7630328	SOLENOID VALVE COIL 220/230V PARKER
30	7630329	SOLENOID VALVE COIL 240V PARKER
32	7304507TR	UNION ELBOW 1/8
33	7303010	UNION ELBOW 1/8
34	7304509TR	FITTING
35	5221844	NUT 1/8
36	5194574LL	HOSE D6 PTFE

**BEZZERA**

**GALATEA DOMUS**

TABLE 2A - (up to 11/11/2009)  
GALATEA DOMUS Mod.R





**BEZZERA**

**GALATEA DOMUS**

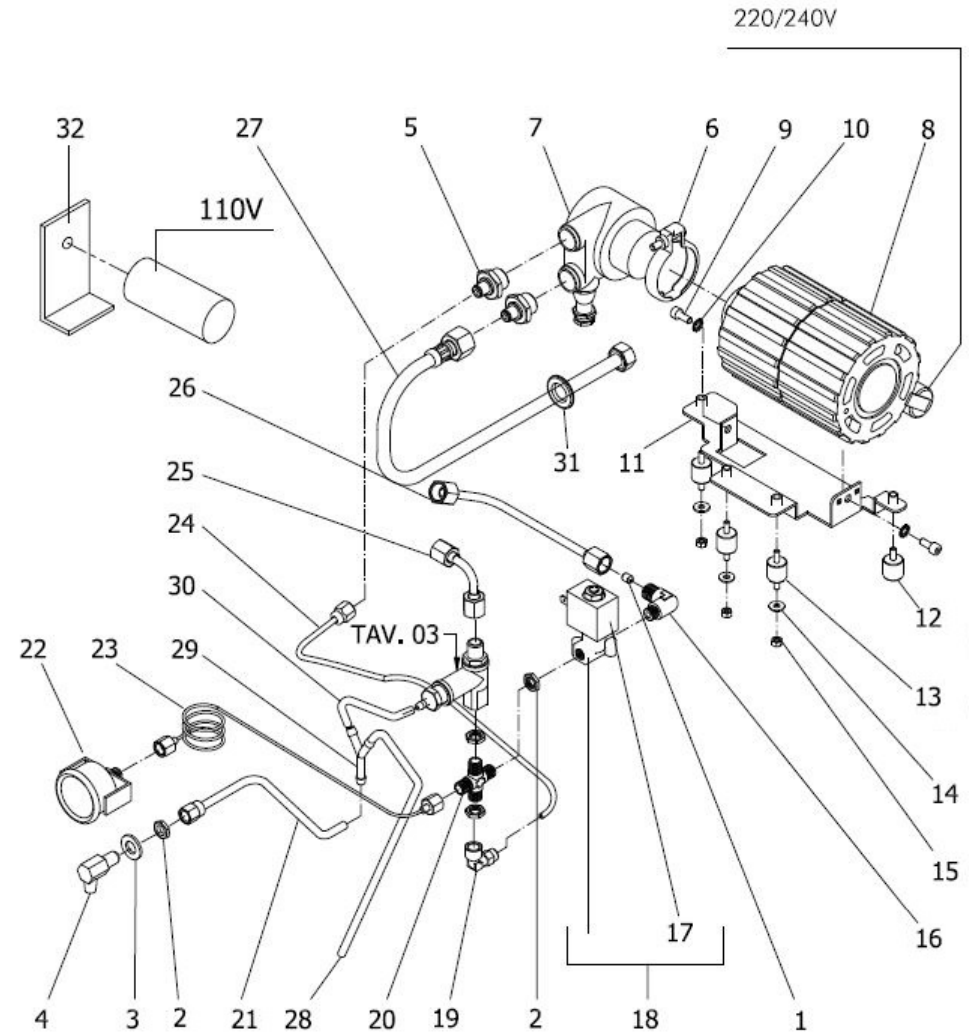
TABLE 2A - (from 02/03/2013 up to 20/07/2017)  
GALATEA DOMUS Mod.R

POS	CODE	DESCRIPTION
1	5223003	JET M6 X 6 HOLE D0.8 OT
2	5221844	NUT 1/8
3	7815001	WASHER D10 UNI 6592 A2
4	5283018CM	DRAIN FITTING FOR SURPRESSION VALVE 1/8•G CHROMED
5	5302023	STRAIGHT FITTING 1/8
6	7611508	PUMP CLAMP
7	7730509	PUMP 50-70L/H+CLAMP+JOINT
8	7742404	ELECTRIC MOTOR 220/240V 50/60HZ
8	7741005	ELECTRIC MOTOR 110V
9	7816027	SCREW TCEI M5X8
10	7814002	NOTCHED WASHER D5 DIN 6798A A2
11	5037837.01LL	PUMP SQUARE
12	7474219	FEET
13	7470604	VIBRATION-DAMPING
14	7809804	PLAIN WASHER D4
15	7822603	NUT M4
16	5301504TR	UNION ELBOW 1/8
17	7630327	SOLENOID VALVE COIL 110V PARKER
17	7630328	SOLENOID VALVE COIL 220/230V PARKER
17	7630329	SOLENOID VALVE COIL 240V PARKER
18	7701111	SOLENOID VALVE 2 WAY 115V PARKER
18	7702310	SOLENOID VALVE 2 WAY 230V PARKER
18	7702409	SOLENOID VALVE 2 WAY 240V PARKER
19	7303034TR	UNION ELBOW 1/8
20	7304001TR	UNION 1/8
21	5194559LL	SURPRESSION VALVE HOSE
22	7432523	PRESSURE GAUGE D40 16BAR
23	7400902	BOYLER-MANOMETER CAPILLARY
24	5194574.01LL	PUMP-SOLENOID VALVE HOSE
25	5162236.01LL	SURPRESSION VALVE - HEAT EXCHANGER HOSE

**BEZZERA**

**GALATEA DOMUS**

TABLE 2A - (from 02/03/2013 up to 20/07/2017)  
GALATEA DOMUS Mod.R



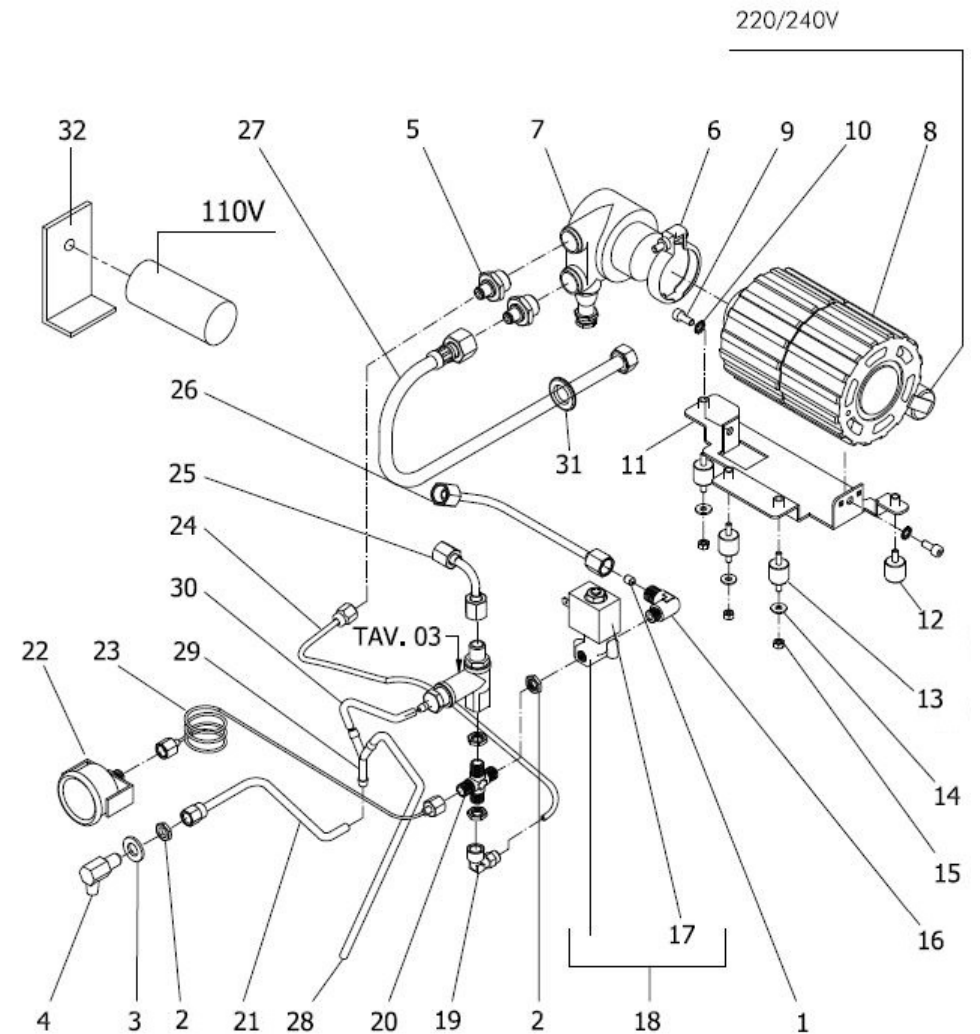
**BEZZERA****GALATEA DOMUS**

TABLE 2A - (from 02/03/2013 up to 20/07/2017)  
 GALATEA DOMUS Mod.R

POS	CODE	DESCRIPTION
26	5162237.01LL	BOILER LOAD HOSE
27	7200514	FLEXIBLE HOSE 3/8
28	5194571	HOSE D6X4X1 L=200 SILICONE
29	7303033	FITTING
30	5194566LL	SURPRESSION VALVE HOSE
31	7613004	FAIRLEAD
32	5037842LL	BRACKET (only 110V versions)

**BEZZERA****GALATEA DOMUS**

TABLE 2A - (from 02/03/2013 up to 20/07/2017)  
 GALATEA DOMUS Mod.R



**BEZZERA**

**GALATEA DOMUS**

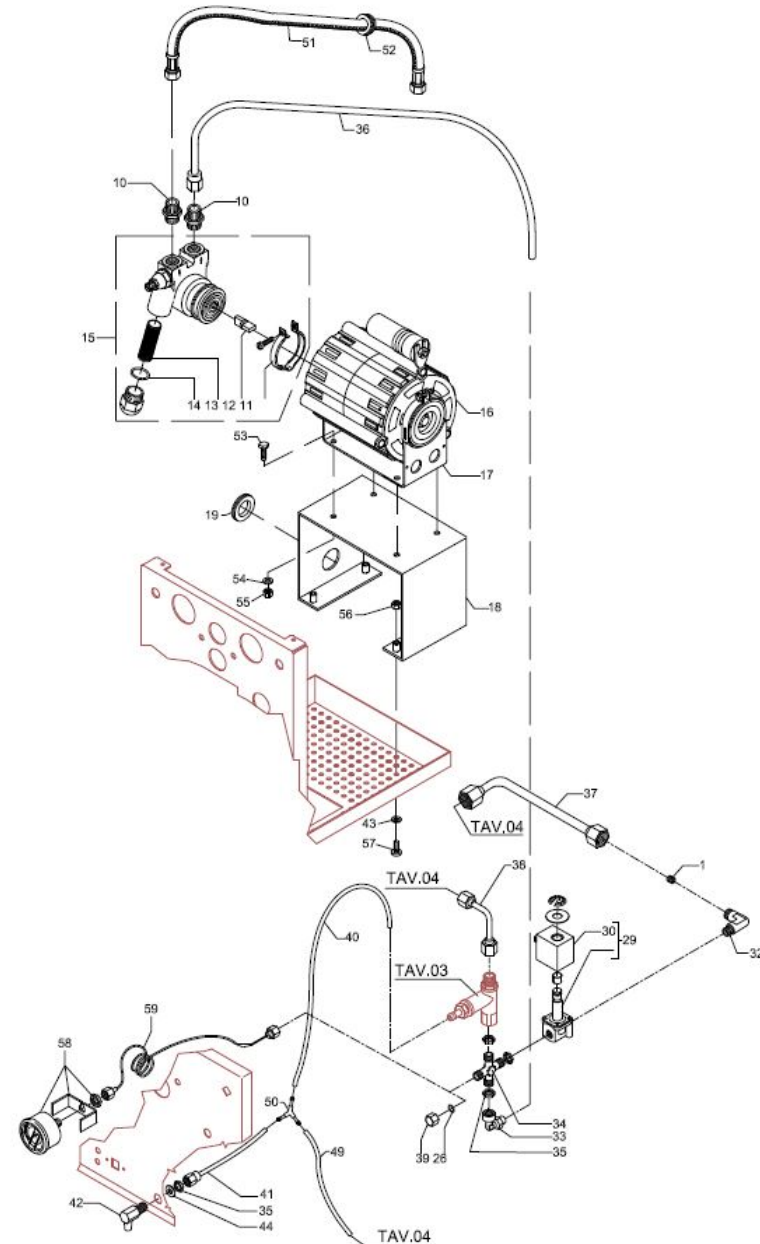
TABLE 2A - (from 12/11/2009 up to 01/03/2013)  
GALATEA DOMUS Mod.R

POS	CODE	DESCRIPTION
1	5223003	JET M6 X 6 HOLE D0.8 OT
10	5302032	STRAIGHT FITTING 1/8
11	7611508	PUMP CLAMP
12	7472401	PUMP JOINT
13	7374005	PUMP FILTER
14	7496048	OR GASKET FOR PUMP FILTER PROCON
15	7730506	PUMP 100 L/H PA104X 1-2GR
16	7741102	ELECTRIC MOTOR 110V 18MF
16	7742206	ELECTRIC MOTOR 220/240V 10MF
17	7479976	BRACKET MOTOR
18	5038420LL	MOTOR SUPPORT
19	7613001	FAIRLEAD P36 RUBBER
26	5492019	GASKET D8 X 2 ASBESTOS FREE
29	7701111	SOLENOID VALVE 2 WAY 115V PARKER
29	7702310	SOLENOID VALVE 2 WAY 230V PARKER
29	7702409	SOLENOID VALVE 2 WAY 240V PARKER
30	7630328	SOLENOID VALVE COIL 220/230V PARKER
30	7630329	SOLENOID VALVE COIL 240V PARKER
30	7630327	SOLENOID VALVE COIL 110V PARKER
32	5301504TR	UNION ELBOW 1/8
33	7303034TR	UNION ELBOW 1/8
34	7304001TR	UNION 1/8
35	5221844	NUT 1/8
36	5194574.01LL	PUMP-SOLENOID VALVE HOSE
37	5162237.01LL	BOILER LOAD HOSE
38	5162236.01LL	SURPRESSION VALVE - HEAT EXCHANGER HOSE
39	5221835	CAP NUT 1/8
40	5194566LL	SURPRESSION VALVE HOSE
41	5194559LL	SURPRESSION VALVE HOSE
42	5283018CM	DRAIN FITTING FOR SURPRESSION VALVE 1/8•G CHROMED

**BEZZERA**

**GALATEA DOMUS**

TABLE 2A - (from 12/11/2009 up to 01/03/2013)  
GALATEA DOMUS Mod.R



**BEZZERA****GALATEA DOMUS**

TABLE 2A - (from 12/11/2009 up to 01/03/2013)  
 GALATEA DOMUS Mod.R

POS	CODE	DESCRIPTION
43	7809804	PLAIN WASHER D4
44	7815001	WASHER D10 UNI 6592 A2
49	5194571	HOSE D6X4X1 L=200 SILICONE
50	7303033	FITTING
51	7200514	FLEXIBLE HOSE 3/8
52	7613004	FAIRLEAD
53	7816422	SCREW TE M6X14 UNI 5739 OT
54	7804002	FAN WASHER D6 DIN 6798A
55	7802403	NUT M6 UNI 7473
56	7802402	NUT M4 UNI 7473
57	7816005	SCREW TCEI M4X20
58	7432523	PRESSURE GAUGE D40 16BAR
59	7400902	BOYLER-MANOMETER CAPILLARY

**BEZZERA****GALATEA DOMUS**

TABLE 2A - (from 12/11/2009 up to 01/03/2013)  
 GALATEA DOMUS Mod.R

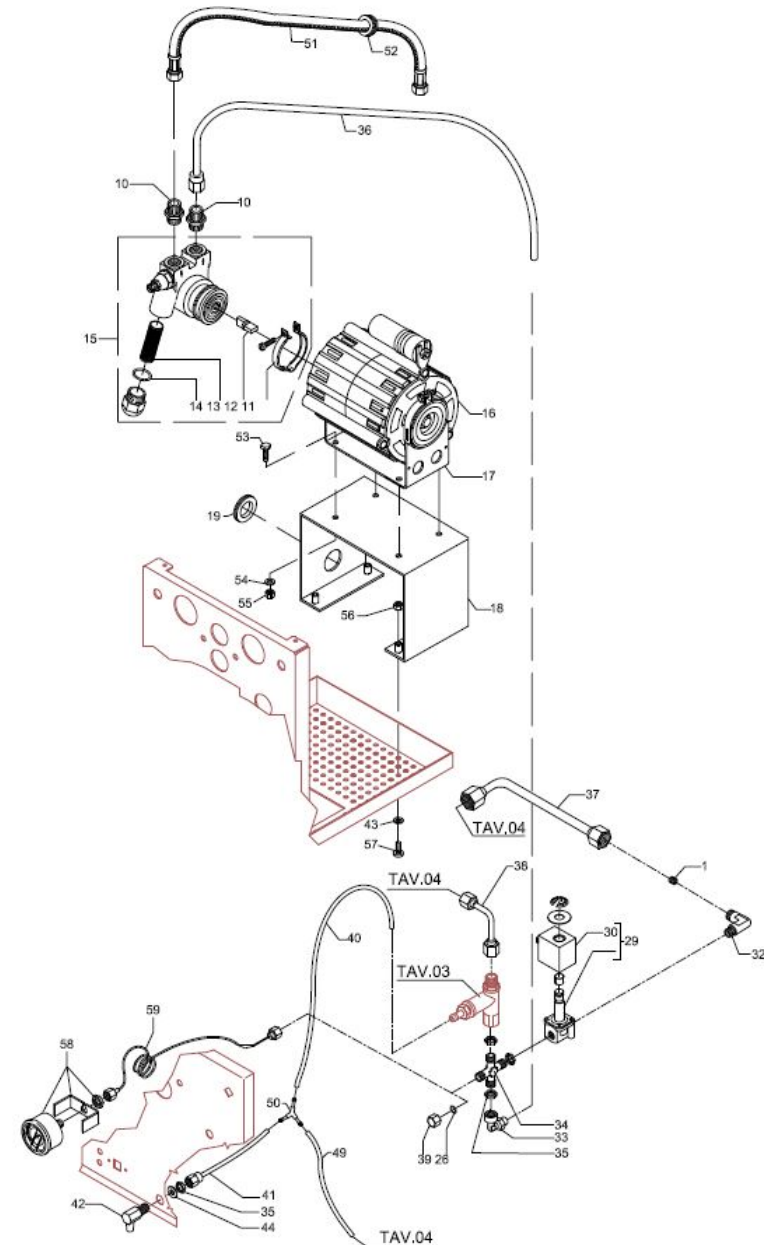


TABLE 3 - (up to 11/11/2009)  
GALATEA DOMUS

POS	CODE	DESCRIPTION
1	5302016	FITTING M12XM10
1	5302016	FITTING M12XM10
2	5471506.01	CALIBRATED SPRING D1 H26 AISI 302
2	5471506.01	CALIBRATED SPRING D1 H26 AISI 302
3	5221825	NUT M12X1 H3,5
3	5221825	NUT M12X1 H3,5
4	5224609	GASKET-HOLDER D5.3
4	5224609	GASKET-HOLDER D5.3
5	7496018	OR GASKET 105 VITON
5	7496018	OR GASKET 105 VITON
6	5283041	SURPRESSION VALVE BODY
6	5283041	SURPRESSION VALVE BODY
7	5224615TP	GASKET-HOLDER
7	5224615TP	GASKET-HOLDER
8	5471505	SPRING
8	5471505	SPRING
9	5302017TP	STRAIGHT FITTING M12 H26.5 OT
9	5302017TP	STRAIGHT FITTING M12 H26.5 OT
10	5965059.02	ASSEMBLY SURPRESSION VALVE 12 BAR TANK VERSION
10	5965032.03	ASSEMBLY SURPRESSION VALVE 14 BAR WATER SUPPLY VERSION
10	5965059.02	ASSEMBLY SURPRESSION VALVE 12 BAR TANK VERSION
10	5965032.03	ASSEMBLY SURPRESSION VALVE 14 BAR WATER SUPPLY VERSION
11	5493001	GASKET D8 X 4 EPT 70SH
11	5493001	GASKET D8 X 4 EPT 70SH

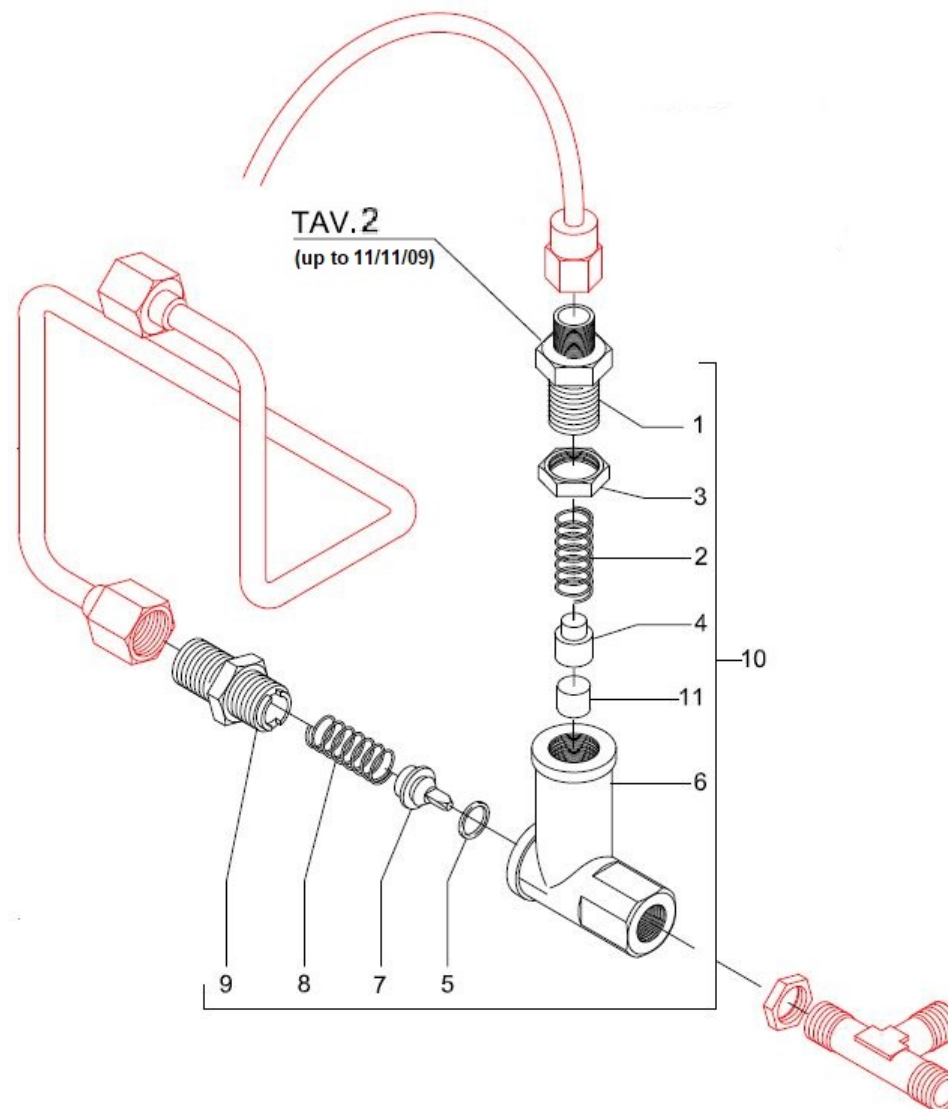
TABLE 3 - (up to 11/11/2009)  
GALATEA DOMUS

TABLE 3 - (up to 30/10/2012)  
GALATEA DOMUS

POS	CODE	DESCRIPTION
1	5302072	RUBBER-HOLDER FITTING
2	5471506.01	CALIBRATED SPRING D1 H26 AISI 302
3	7496052	OR GASKET 114
4	5224619TP	GASKET-HOLDER
5	7496018	OR GASKET 105 VITON
6	5283049	SURPRESSION VALVE BODY
7	5224615TP	GASKET-HOLDER
8	5471505	SPRING
9	5302017TP	STRAIGHT FITTING M12 H26.5 OT
10	5965165	ASSEMBLY SURPRESSION VALVE 12BAR
11	5493001	GASKET D8 X 4 EPT 70SH

TABLE 3 - (up to 30/10/2012)  
GALATEA DOMUS

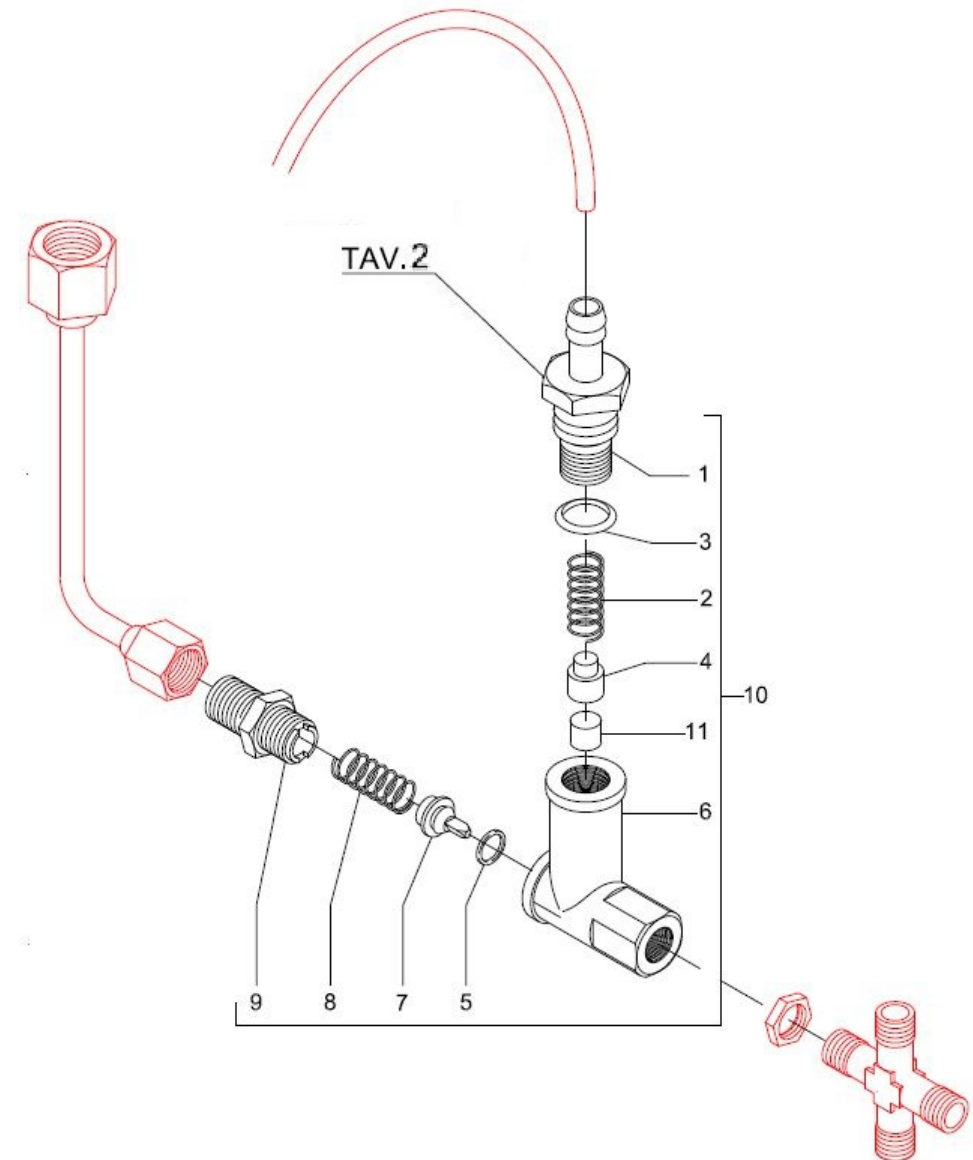


TABLE 3 - (from 31/10/2012 )  
GALATEA DOMUS

POS	CODE	DESCRIPTION
1	5302077TP	RUBBER-HOLDER FITTING
2	5471539	CALIBRATED SPRING D.1,6
3	7496052	OR GASKET 114
4	5224620TP	GASKET-HOLDER
5	7496018	OR GASKET 105 VITON
6	5283053TP	SURPRESSION VALVE BODY
7	5224615TP	GASKET-HOLDER
8	5471505	SPRING
9	5302017TP	STRAIGHT FITTING M12 H26.5 OT
10	5965212.01AL	ASSEMBLY SURPRESSION VALVE 12BAR
11	5493042	GASKET D.11X3
12	5471019	DISC FILTER 8.5X5

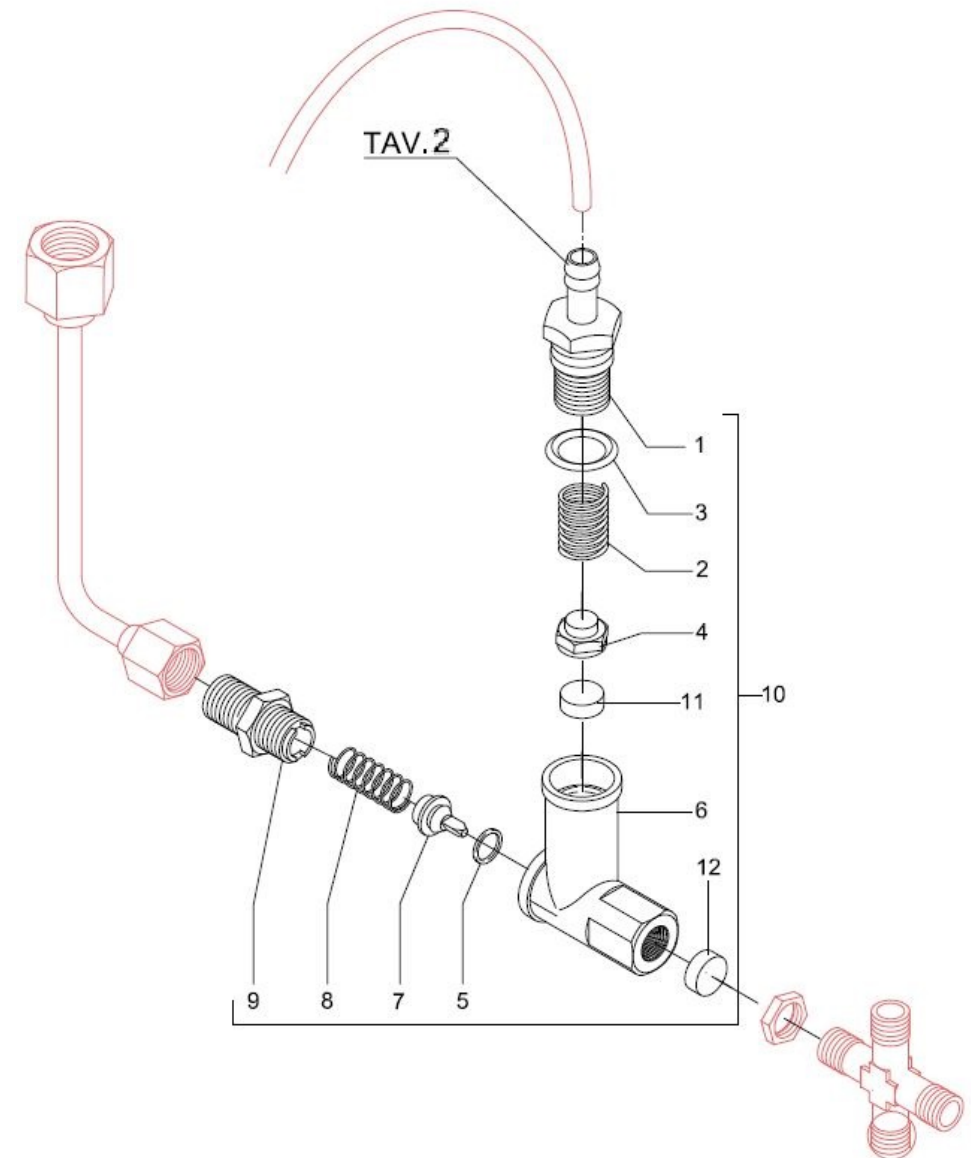
TABLE 3 - (from 31/10/2012 )  
GALATEA DOMUS

TABLE 4  
GALATEA DOMUS

POS	CODE	DESCRIPTION
1	7432522	PRESSURE GAUGE D40 3BAR
2	7400903	PRESSURE GAUGE CAPILLARY
3	5162234LL	STEAM TAP HOSE
4	5302005	STRAIGHT FITTING 3/8
5	5265819	LEVEL PROBE D3 X 80 X 6.3
6	5265812	MINIMUM LEVEL PROBE D3 X 110 X 4.8
7	5225205	STRAIGHT FITTING M10 OT
8	5192001	PROBE SHEATH D8 X 45 HOLE D3 PTFE
10	5227002	SCREW M8 X 6 OT
11	5221840	CAP NUT M13X1
12	5226406	PLUG 1/2
13	5162233LL	WATER TAP HOSE
14	7433016R1	PRESSURE SWITCH KIT 110V (up to 16.03.10)
14	7433017R1	PRESSURE SWITCH KIT 230V (up to 26.05.10)
14	7433019R1	PRESSURE SWITCH KIT 240V (up to 26.05.10)
15	5162288LL	PRESSURE SWITCH HOSE
16	5302064	FITTING M/F M13x1
18	5320501.02BL	ASSEMBLY BOILER POLISHED
19	7434009	THERMOSTAT MANUAL 16A 135°C
20	5227007	DOWEL M8 X 6 HOLE M4
21	5492008	GASKET D10.5 X 2
22	5221813	CAP NUT M12
23	5492025	GASKET D42x32x2 PTFE
24	5721127TP	HEATING ELEMENT 1350 110V
24	5722240TP	HEATING ELEMENT COPPER 220/240V - 1250/1450W
25	5163204LL	BOTTOM HEATING HOSE
26	5164067.01LL	UPPER HEATING HOSE
27	5329020DC-AL	EXCHANGER 3 HOLES
28	5495007	GASKET D32 X 3 BRASS
29	5301521TR	UNION ELBOW 1/8

TABLE 4  
GALATEA DOMUS

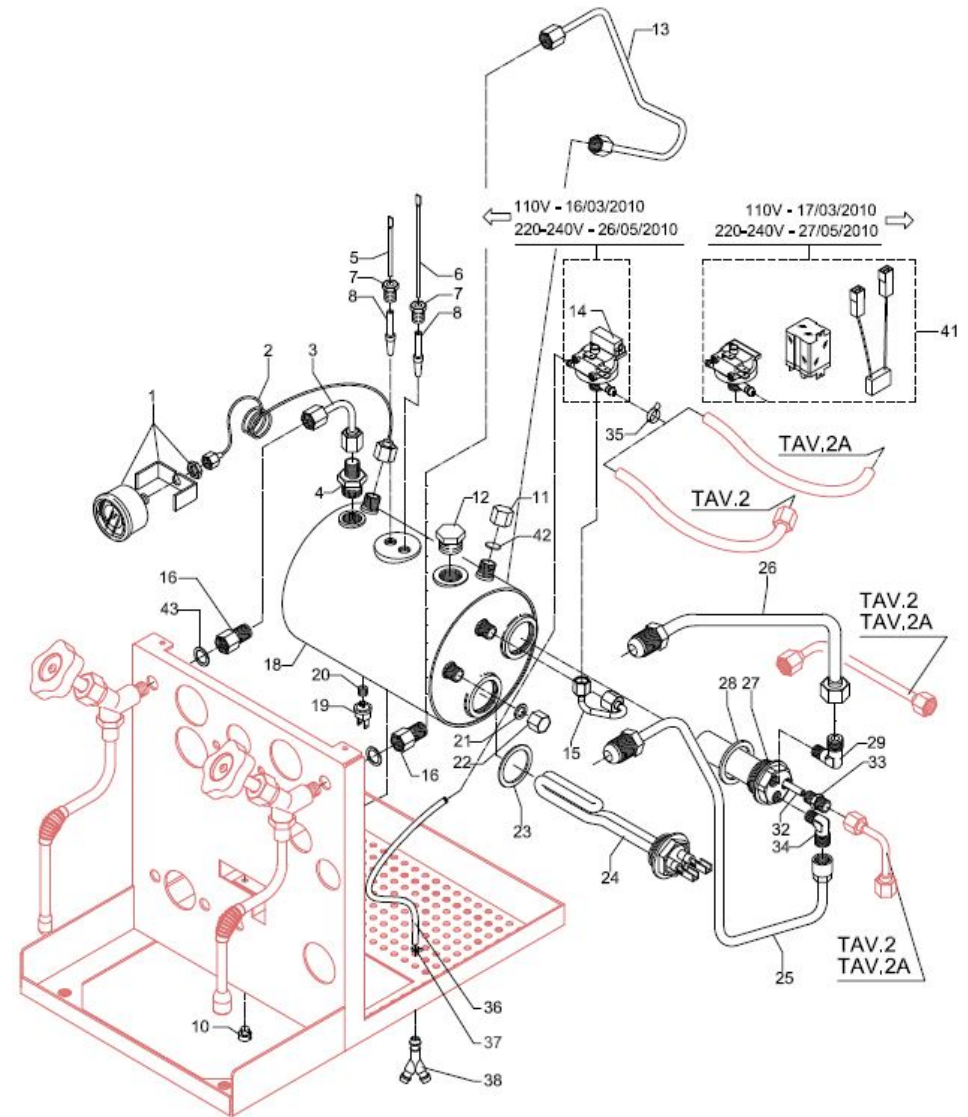


TABLE 4  
GALATEA DOMUS

POS	CODE	DESCRIPTION
32	5192301	SUCTION HOSE D6 L=130MM PTFE
33	5302006TP	STRAIGHT FITTING 1/8
34	5301520TR	UNION ELBOW 1/8
35	7611512	CLAMP
36	5194549	HOSE D8X5 L=350 SILICONE
37	7611504	CLAMP
38	7303033	FITTING
41	7433020	PRESSURE SWITCH KIT 110V (from 17.03.10)
41	7433021	PRESSURE SWITCH KIT 230V (from 27.05.10)
41	7433022	PRESSURE SWITCH KIT 240V (from 27.05.10)
42	5492020	GASKET D11.5 X 2
43	5221869	WASHER D14 X 20 X 1.5 COPPER

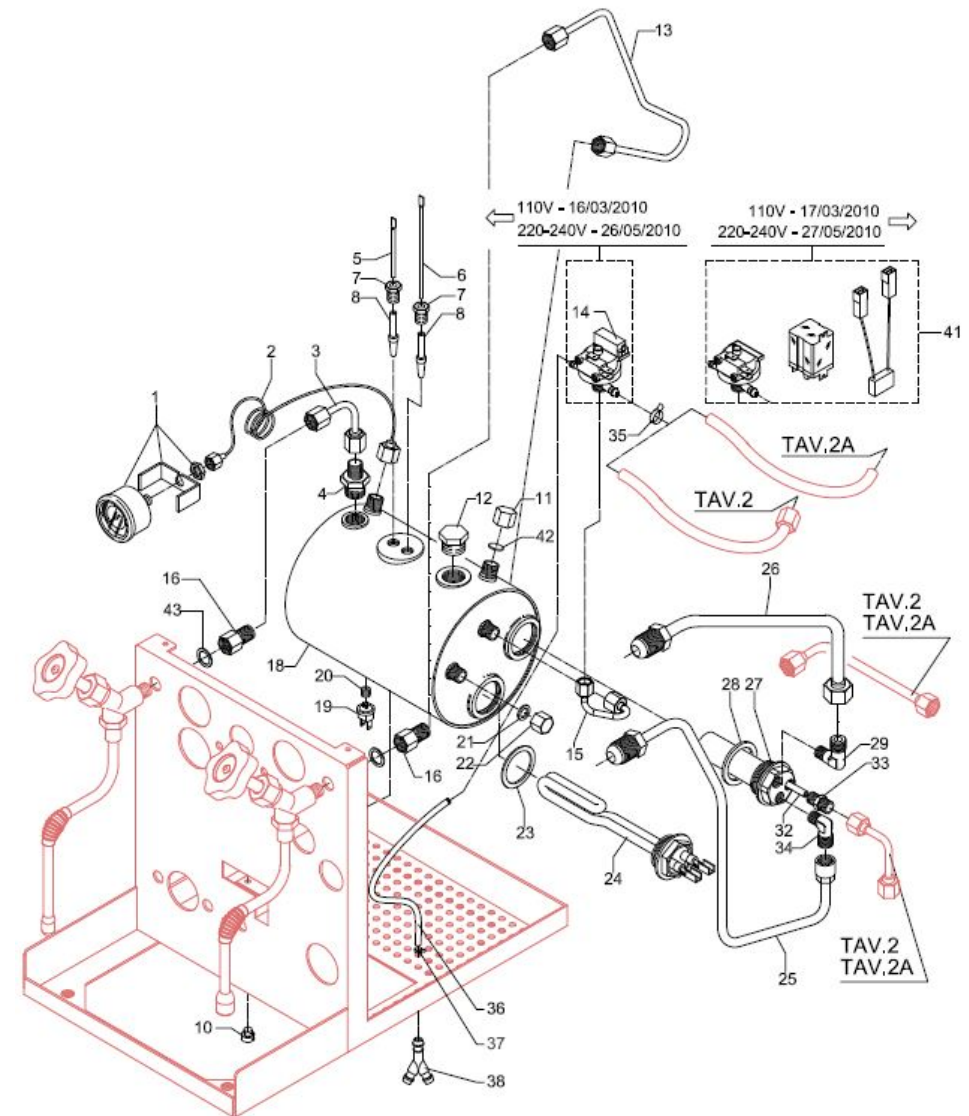
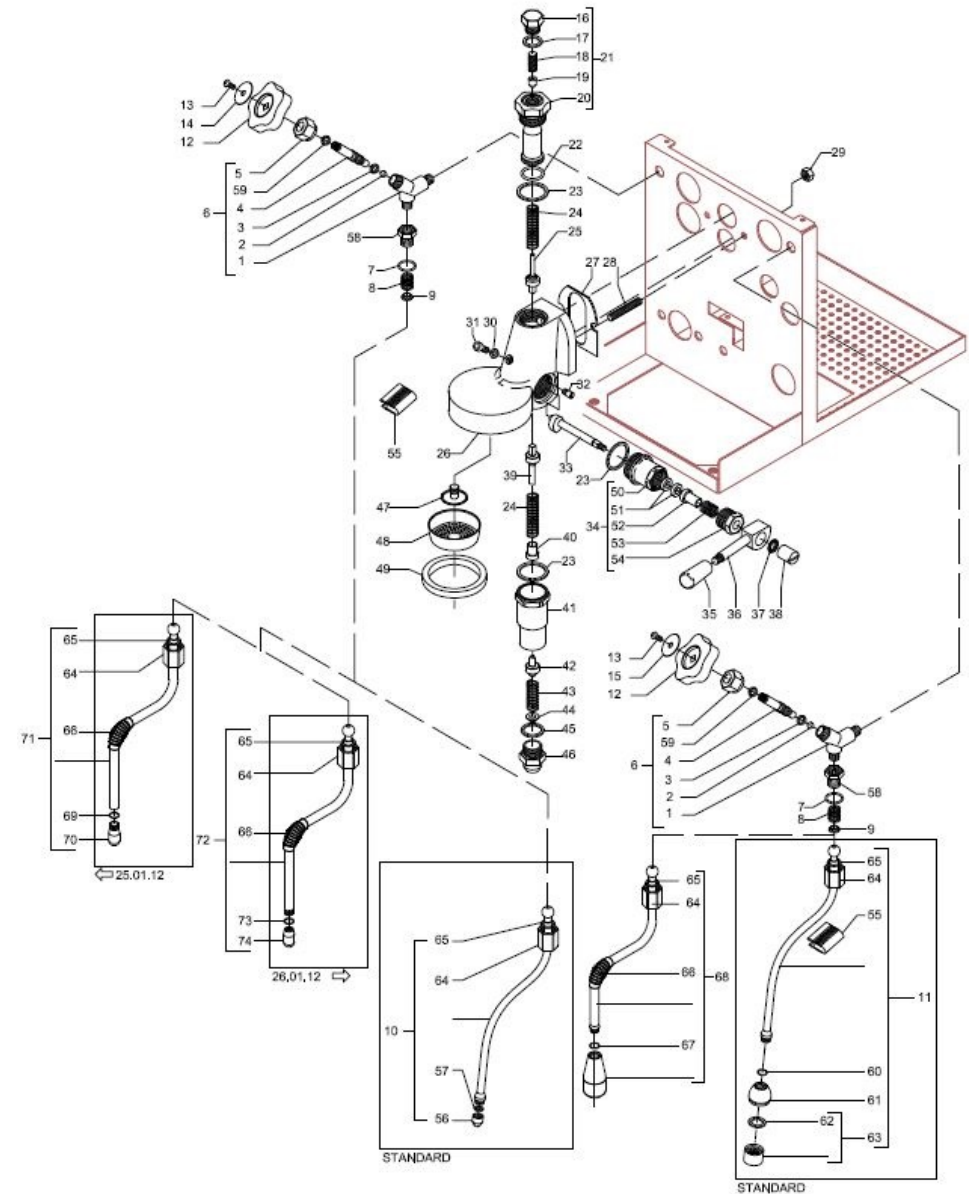
TABLE 4  
GALATEA DOMUS

TABLE 5 - (up to 16/01/2018)  
GALATEA DOMUS

POS	CODE	DESCRIPTION
1	5283038TW	TAP BODY 3/8
2	5493001	GASKET D8 X 4 EPT 70SH
3	7496001	OR GASKET D7.6 X 2.62 VITON
4	5960502.02CM	ROD ASSY
5	5221868CM	NUT 3/8
6	5964025	ASSEMBLY TAP
7	7496072	OR GASKET 121
8	5471532	SPRING
9	5190501	COMPLETE CUP
10	5966547.01	ASSEMBLY COMPLETE STEAM HOSE
11	5966546.01	ASSEMBLY COMPLETE WATER HOSE
12	7371509	TAP KNOB
13	7826410CM	SCREW TEB M5X10
14	5522055	STEAM PLATE - ITALIAN
15	5522056	WATER PLATE - ITALIAN
16	7479952DL	UPPER ASSY PLUG
17	7479953	GASKET TF 22X17X2
18	7479954	INOX FILTER 8,5X22
19	7479955	INJECTOR M6X0,75 HOLE 0,7
20	7479956	UPPER SLEEVE ASSY
21	7479933	INJECTOR 0.7 UPPER SLEEVE ASSY
22	7479934	GASKET OR 128 VITON
23	7479935	GASKET TF 35X30X2
24	7479936	DELIVERY VALVE SPRING
25	7479937	DELIVERY VALVE ASSY
26	7479940	DELIVERY GROUP BODY
27	7493011	INSULATING
28	5267013	TIE ROD M8 X 31 ASTM A193
29	7812607	NUT M8 UNI 5587 ASTM A194
30	7479938	GASKET TF 10X6X1

TABLE 5 - (up to 16/01/2018)  
GALATEA DOMUS



**BEZZERA**

**GALATEA DOMUS**

TABLE 5 - (up to 16/01/2018)  
GALATEA DOMUS

POS	CODE	DESCRIPTION
31	7479939	SCREW TCE M6X8
32	7479951	CAM STOP PIN
33	7479950	CAM SHAFT
34	7479949	CAM FLANGE ASSY
35	7371511.01	LEVER KNOB
36	7479931	DELIVERY LEVER
37	7479947	WASHER 8
38	7479948	CAP 15XM6
39	7479946	ASSEMBLY VALVE
40	7479942	SPRING GUIDE BUSHING
41	7479957	LOWER SLEEVE ASSY
42	7479943	ASSEMBLY RELIEF VALVE
43	7479944	DRAIN SPRING
44	7479945	JET-BREAKER BUSHING 15X6
45	7479960	GASKET TF D26x21x2
46	7479961	GROUP BOTTOM FITTING
47	7479941	SPRAYER 30
48	5471022	SHOWER FILTER
49	5493039	UNDERCUP GASKET
50	7479967	CAM FLANGE
51	7479968	WASHER EP709 15,5X7,5X4
52	7479969	BUSHING
53	7479970	SPRING
54	7479971	PLUG CHROMED
55	7371001	INSULATING
56	5226602	STEAM HOSE TERMINAL CHROMED
57	5494001	GASKET D8.5 X 5 X 3.2 PTFE
58	5225407TW	REDUCTION GEAR M13X3/8
59	5222216	SPACER
60	7496003	OR GASKET 108 VITON

**BEZZERA**

**GALATEA DOMUS**

TABLE 5 - (up to 16/01/2018)  
GALATEA DOMUS

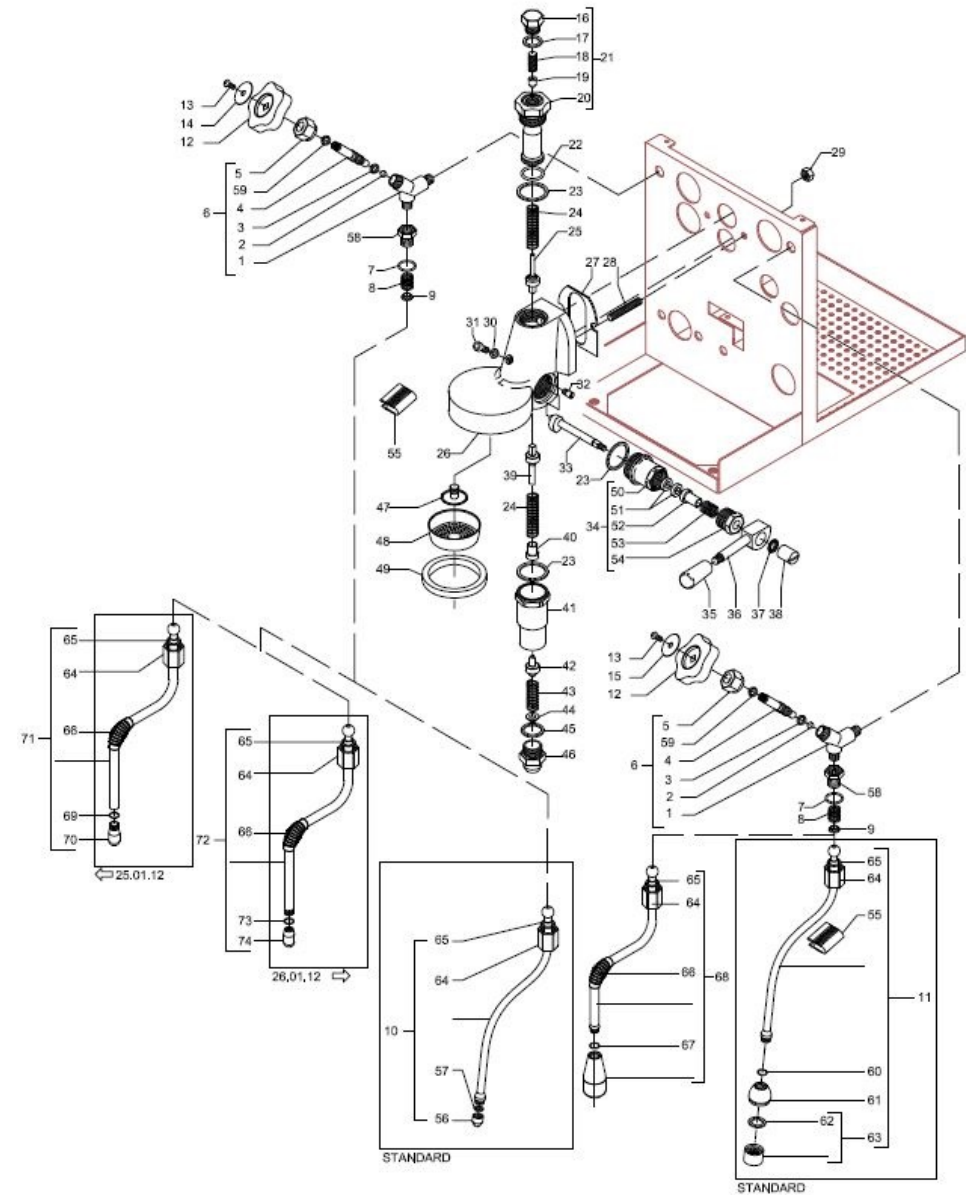
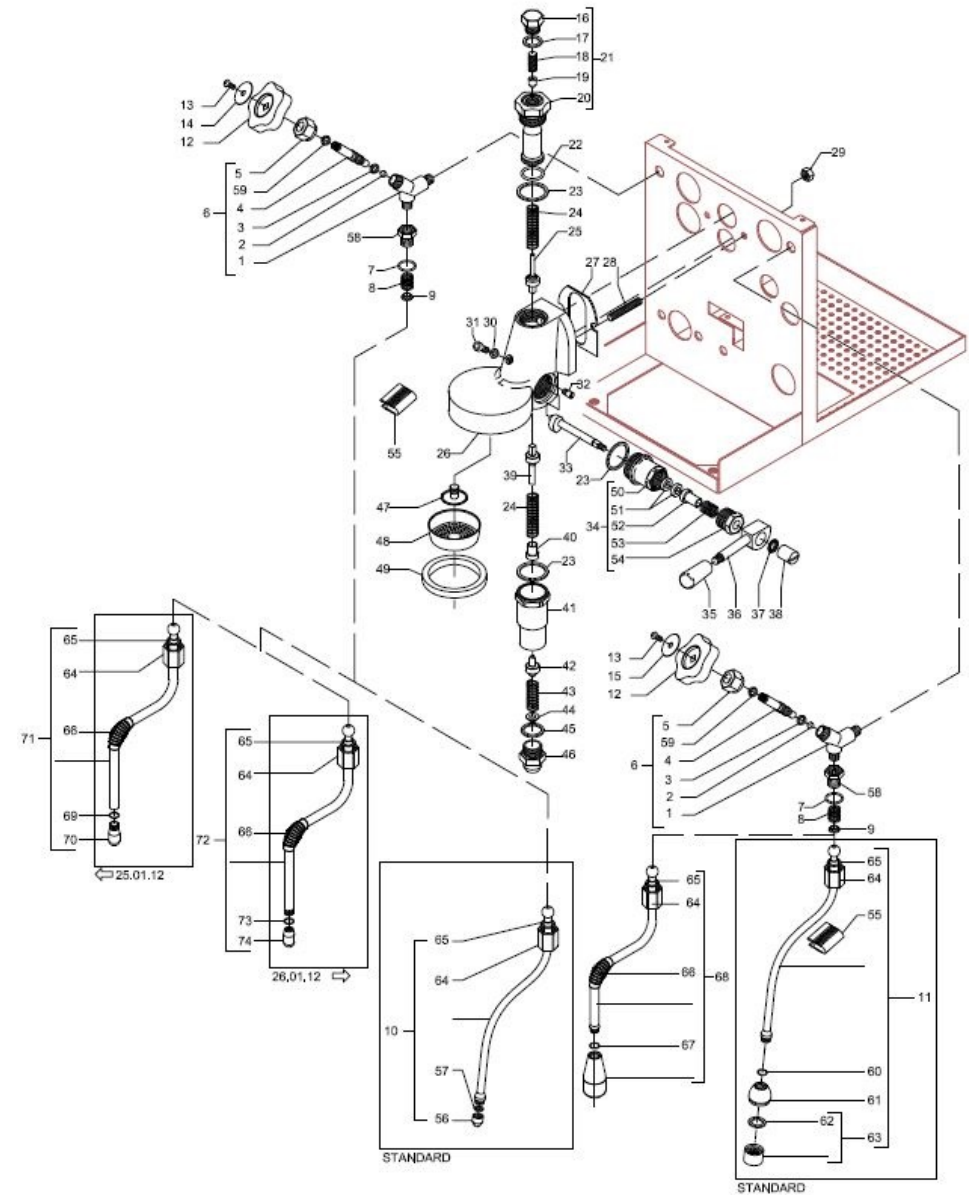


TABLE 5 - (up to 16/01/2018)  
GALATEA DOMUS

POS	CODE	DESCRIPTION
61	5226610TW	WATER HOSE TERMINAL D23.5X18 OT CHROMED
62	5493003	GASKET D20.5X15 H1.5 NBR 70SH
63	5226601TW	WATER HOSE TERMINAL M22 CHROMED
64	5221870TW	NUT H27
65	7496073	OR GASKET
66	7371003	INSULATING
67	7496084	GASKET
68	7479986	ASSEMBLY COMPLETE WATER HOSE
69	7496083	OR GASKET D4.5X1.5 NBR 70
70	7305013	TERMINAL 2 HOLES
71	7479919	ASSEMBLY COMPLETE STEAM HOSE
72	7479981	ASSEMBLY STEAM HOSE TERMINAL 2 HOLES
73	7496084	GASKET
74	7305014	TERMINAL 2 HOLES

TABLE 5 - (up to 16/01/2018)  
GALATEA DOMUS



**BEZZERA**

**GALATEA DOMUS**

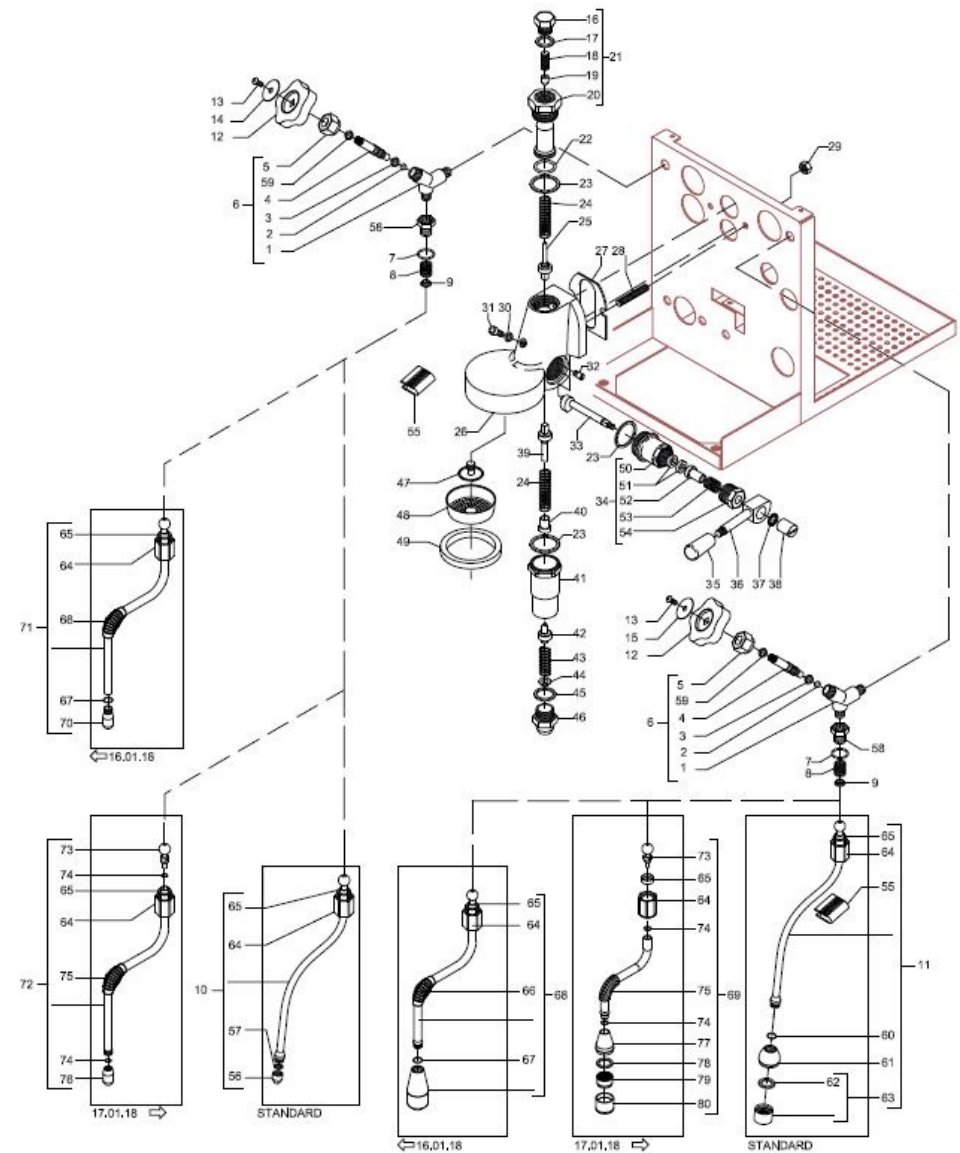
TABLE 5 - (from 17/01/2018 )  
GALATEA DOMUS

POS	CODE	DESCRIPTION
1	5283038TW	TAP BODY 3/8
2	5493001	GASKET D8 X 4 EPT 70SH
3	7496001	OR GASKET D7.6 X 2.62 VITON
4	5960502.02CM	ROD ASSY
5	5221868CM	NUT 3/8
6	5964025	ASSEMBLY TAP
7	7496072	OR GASKET 121
8	5471532	SPRING
9	5190501	COMPLETE CUP
10	5966547.02	ASSEMBLY COMPLETE STEAM HOSE
11	5966546.02	ASSEMBLY COMPLETE WATER HOSE
12	7371509	TAP KNOB
13	7826410CM	SCREW TEB M5X10
14	5522055	STEAM PLATE - ITALIAN
15	5522056	WATER PLATE - ITALIAN
16	7479952DL	UPPER ASSY PLUG
17	7479953	GASKET TF 22X17X2
18	7479954	INOX FILTER 8,5X22
19	7479955	INJECTOR M6X0,75 HOLE 0,7
20	7479956	UPPER SLEEVE ASSY
21	7479933	INJECTOR 0.7 UPPER SLEEVE ASSY
22	7479934	GASKET OR 128 VITON
23	7479935	GASKET TF 35X30X2
24	7479936	DELIVERY VALVE SPRING
25	7479937	DELIVERY VALVE ASSY
26	7479940	DELIVERY GROUP BODY
27	7493011	INSULATING
28	5267013	TIE ROD M8 X 31 ASTM A193
29	7812607	NUT M8 UNI 5587 ASTM A194
30	7479938	GASKET TF 10X6X1

**BEZZERA**

**GALATEA DOMUS**

TABLE 5 - (from 17/01/2018 )  
GALATEA DOMUS



**BEZZERA**

**GALATEA DOMUS**

TABLE 5 - (from 17/01/2018 )  
GALATEA DOMUS

POS	CODE	DESCRIPTION
31	7479939	SCREW TCE M6X8
32	7479951	CAM STOP PIN
33	7479950	CAM SHAFT
34	7479949	CAM FLANGE ASSY
35	7371511.01	LEVER KNOB
36	7479931	DELIVERY LEVER
37	7479947	WASHER 8
38	7479948	CAP 15XM6
39	7479946	ASSEMBLY VALVE
40	7479942	SPRING GUIDE BUSHING
41	7479957	LOWER SLEEVE ASSY
42	7479943	ASSEMBLY RELIEF VALVE
43	7479944	DRAIN SPRING
44	7479945	JET-BREAKER BUSHING 15X6
45	7479960	GASKET TF D26x21x2
46	7479961	GROUP BOTTOM FITTING
47	7479941	SPRAYER 30
48	5471022	SHOWER FILTER
49	5493039	UNDERCUP GASKET
50	7479967	CAM FLANGE
51	7479968	WASHER EP709 15,5X7,5X4
52	7479969	BUSHING
53	7479970	SPRING
54	7479971	PLUG CHROMED
55	7371001	INSULATING
56	5226602	STEAM HOSE TERMINAL CHROMED
57	5494001	GASKET D8.5 X 5 X 3.2 PTFE
58	5225407TW	REDUCTION GEAR M13X3/8
59	5222216	SPACER
60	7496003	OR GASKET 108 VITON

**BEZZERA**

**GALATEA DOMUS**

TABLE 5 - (from 17/01/2018 )  
GALATEA DOMUS

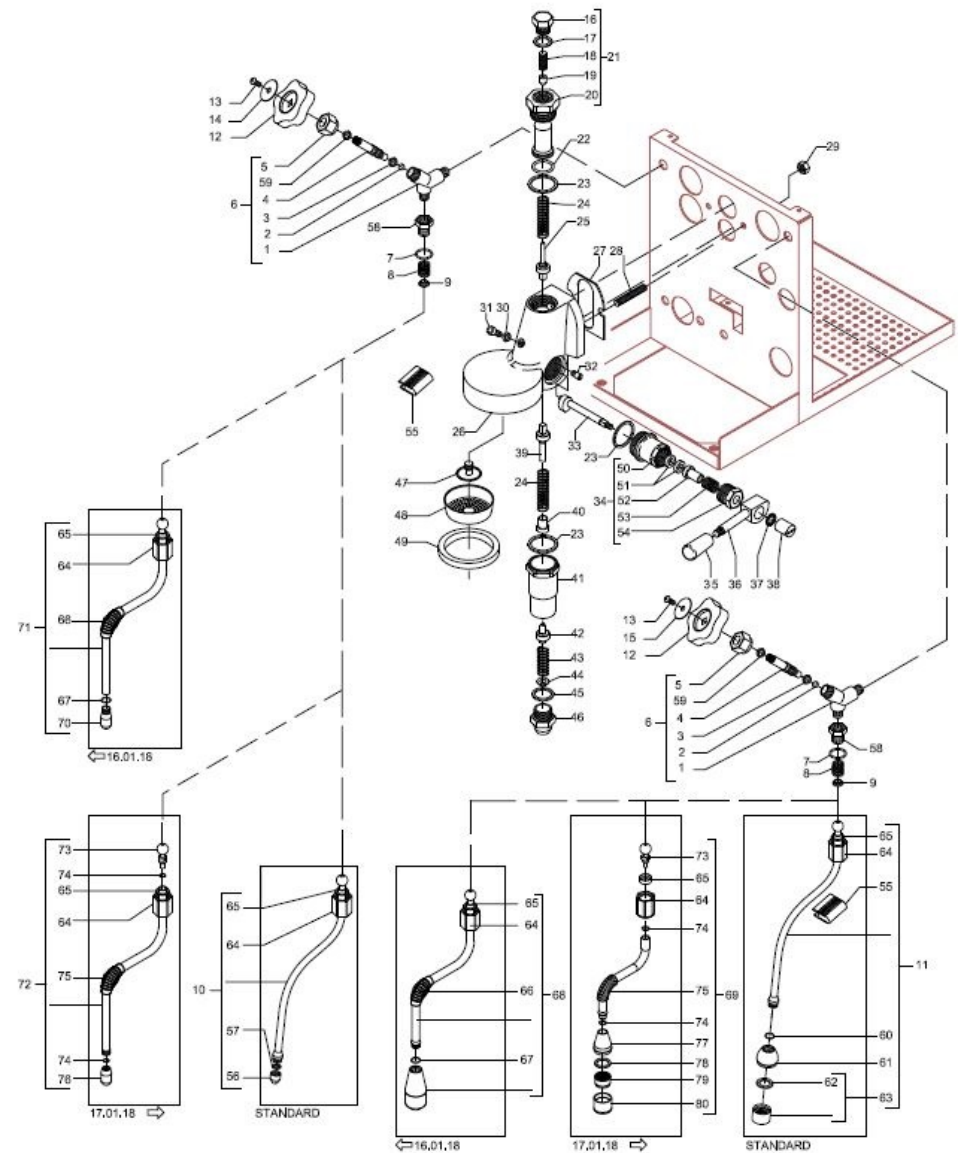


TABLE 5 - (from 17/01/2018 )  
GALATEA DOMUS

POS	CODE	DESCRIPTION
61	5226610TW	WATER HOSE TERMINAL D23.5X18 OT CHROMED
62	5493003	GASKET D20.5X15 H1.5 NBR 70SH
63	5226601TW	WATER HOSE TERMINAL M22 CHROMED
64	5221870TW	NUT H27
65	5494017	OR GASKET
66	7371003	INSULATING
67	7496084	GASKET
68	7479986.01TW	ASSEMBLY COMPLETE WATER HOSE (up to 16.01.18)
69	7479986.02TW	ASSEMBLY COMPLETE WATER HOSE (from 17.01.18)
70	7305014	TERMINAL 2 HOLES
71	7479992.01TW	ASSEMBLY COMPLETE STEAM HOSE (up to 16.01.18)
72	7479992.02TW	ASSEMBLY STEAM HOSE TERMINAL 2 HOLES (from 17.01.18)
73	7287001	INOX BALL
74	7496095	GASKET
75	7371004	INSULATING
76	7305019	TERMINAL 2 HOLES
77	5226621DL	CONE
78	5493046	GASKET D20.8X16 H1.5
79	5471037	ACETALIC FILTER
80	5226622DL	ACETALIC FILTER SUPPORT

TABLE 5 - (from 17/01/2018 )  
GALATEA DOMUS

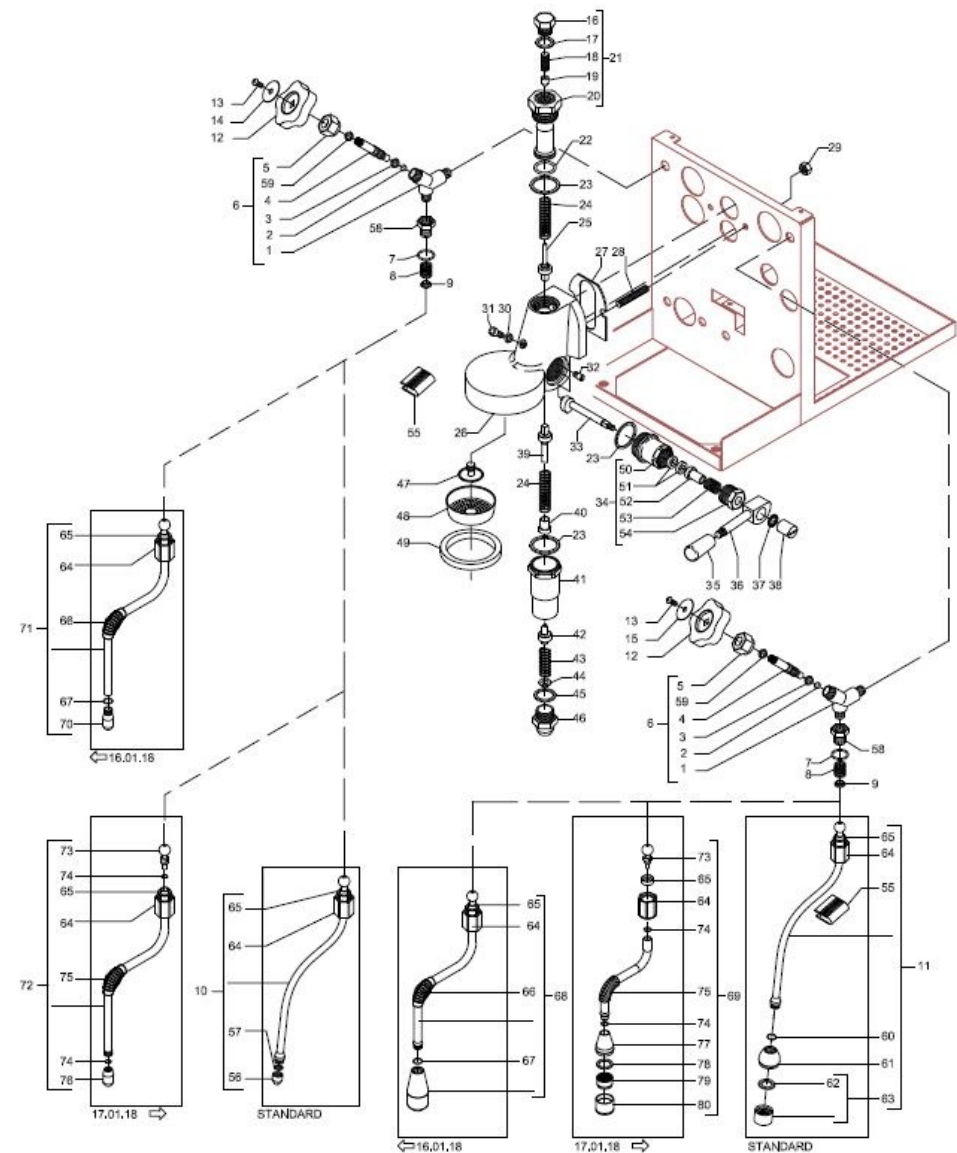
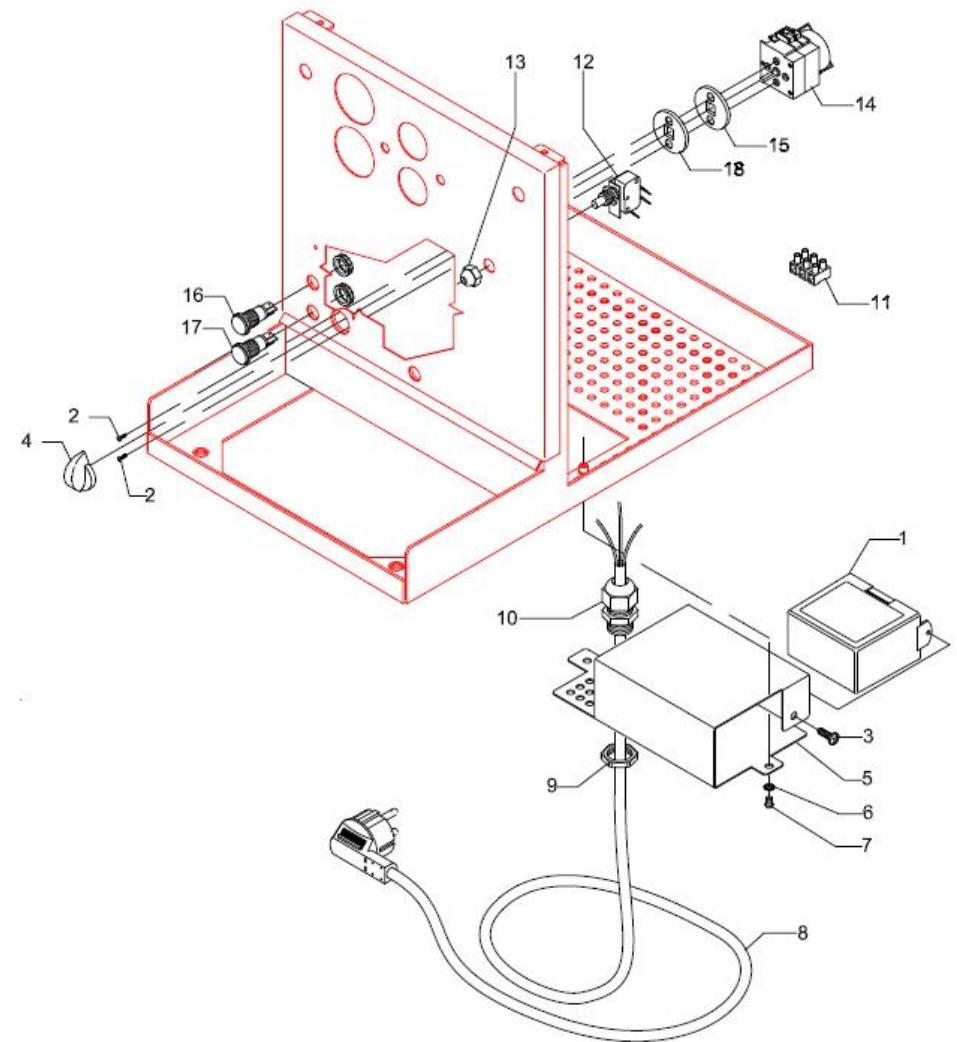


TABLE 6  
GALATEA DOMUS

POS	CODE	DESCRIPTION
1	7661033.02PR	LEVEL REGULATOR 3 PROBES 110/120V
1	7661043.01PR	LEVEL REGULATOR 3 PROBES 220/240V
2	7818007	TAPPING SCREW TB D3.5X13 UNI 6954 A2
3	7819404	TAPPING SCREW TPS D4.8X16 UNI 6955 A2
4	7371513	BLACK KNOB D40
5	5035709.02LL	ELECTRIC PARTS SUPPORT PLATE
6	7814001	WASHER D4 DIN 6798A A2
7	7819908	SCREW TTEI M4X8
8	7551001	CABLE WITH USA PLUG 125V 15A
8	7551003	CABLE WITH USA PLUG 250V 20A
8	7555001	CABLE WITH SCHUKO PLUG
8	7554001	CABLE WITH ENGLISH PLUG
8	7552001	CABLE WITH AUSTRALIAN PLUG
8	7555003	CABLE WITH SWITZERLAND PLUG
9	7614006	NUT PG13,5
10	7614007	CABLE-PRESS PG13,5
11	7612504	CLAMP 2 CONTACTS
12	7633906	MICROSWITCH 250V
13	5221875CM	NUT M10X0,75
14	7633330	SWITCH
15	5859919	THICKNESS
16	7633602.01	GREEN LAMP 110/240V
17	7633604.01	ORANGE LAMP 110/240V
18	5037001	THICKNESS

TABLE 6  
GALATEA DOMUS

**BEZZERA**

**GALATEA DOMUS**

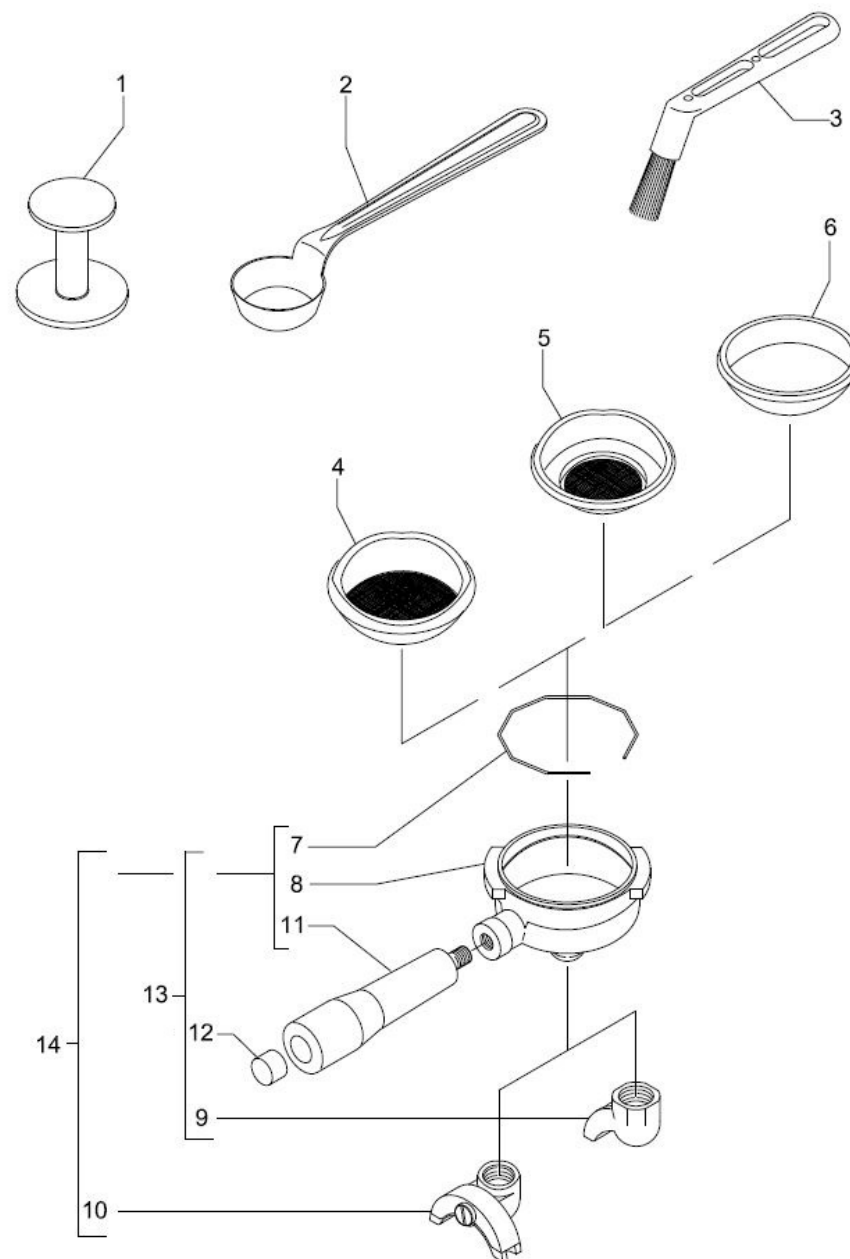
TABLE 7 - (up to 28/02/2010)  
GALATEA DOMUS

POS	CODE	DESCRIPTION
1	5373001	COFFEE-PRESS
2	5372101	MEASURER
3	7990603	CLEANING BRUSH
4	5471007	FILTER 2 CUPS 12 GRAMS
4	5471016	FILTER 2 CUPS 14 GRAMS
5	5471004	FILTER 1 CUP 6 GRAMS
5	5471011	FILTER 1 CUP 8 GRAMS
6	5471003	BLIND FILTER
7	5471527	FILTER-HOLDER SPRING D1.2 AISI 302
8	7479972.01TW	FILTER-HOLDER
9	7305006TW	SPOUT 1 WAY
10	7305007TW	SPOUT 2 WAY
11	7371502	KNOB POLISHED
12	5373915CM	KNOB CHROME CAP
13	5965551.02R	ASSEMBLY COMPLETE FILTER-HOLDER 1 CUP
14	5965550.02R	ASSEMBLY FILTER-HOLDER 2 CUPS

**BEZZERA**

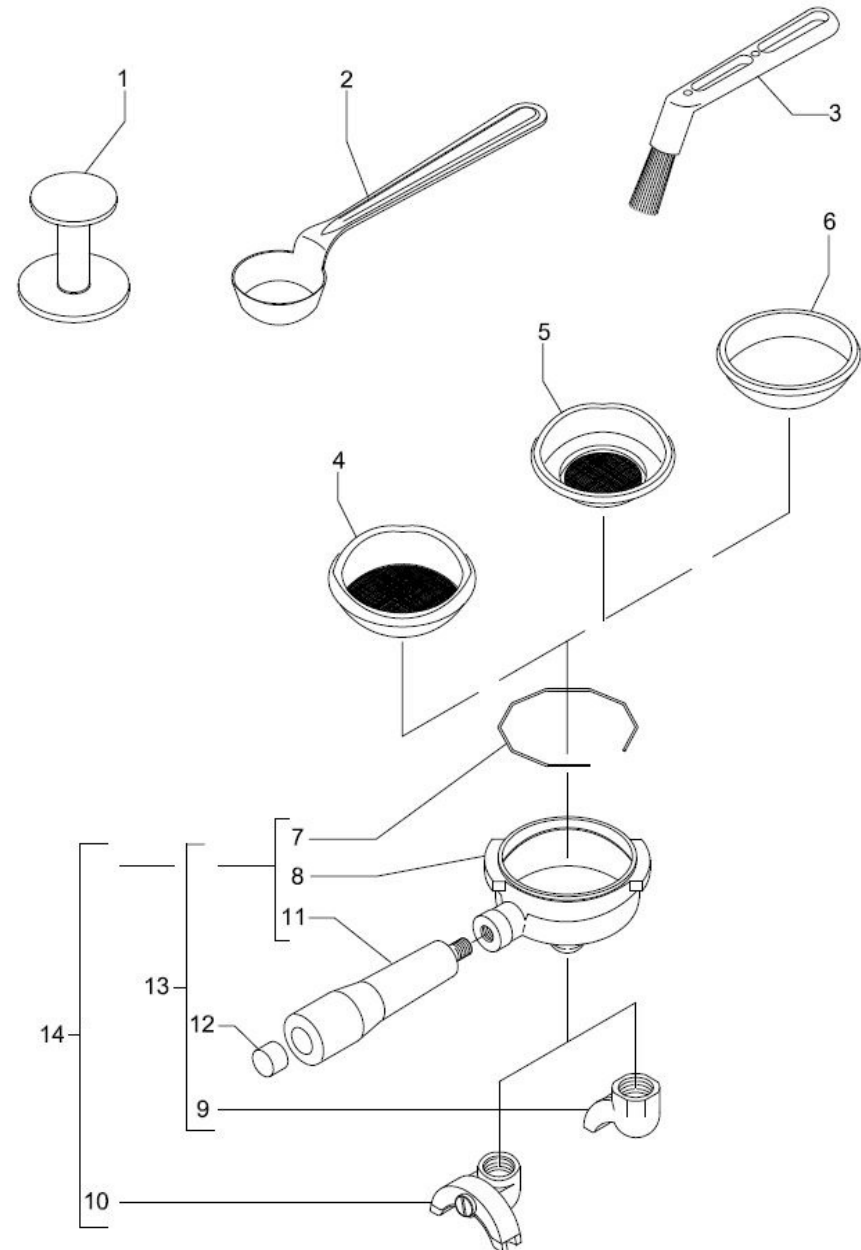
**GALATEA DOMUS**

TABLE 7 - (up to 28/02/2010)  
GALATEA DOMUS



**BEZZERA****GALATEA DOMUS**TABLE 7 - (up to 26/04/2012)  
GALATEA DOMUS

POS	CODE	DESCRIPTION
1	5373001	COFFEE-PRESS
2	5372101	MEASURER
3	7990603	CLEANING BRUSH
4	5471021.01	FILTER 2 CUPS 16 GRAMS AISI 304 WITH RUN CHANNEL
4	5471026.01	FILTER 2 CUPS 14 GRAMS WITH RUN CHANNEL
5	5471020.01	FILTER 1 CUP 6 GRAMS WITH RUN CHANNEL
5	5471031.01	FILTER 1 CUP 10 GRAMS WITH RUN CHANNEL
6	5471003	BLIND FILTER
7	5471527	FILTER-HOLDER SPRING D1.2 AISI 302
8	7479972.01TW	FILTER-HOLDER
9	7305006TW	SPOUT 1 WAY
10	7305007TW	SPOUT 2 WAY
11	7371502	KNOB POLISHED
12	5373915CM	KNOB CHROME CAP
13	5965551.02R	ASSEMBLY COMPLETE FILTER-HOLDER 1 CUP
14	5965550.02R	ASSEMBLY FILTER-HOLDER 2 CUPS

**BEZZERA****GALATEA DOMUS**TABLE 7 - (up to 26/04/2012)  
GALATEA DOMUS

**BEZZERA**

**GALATEA DOMUS**

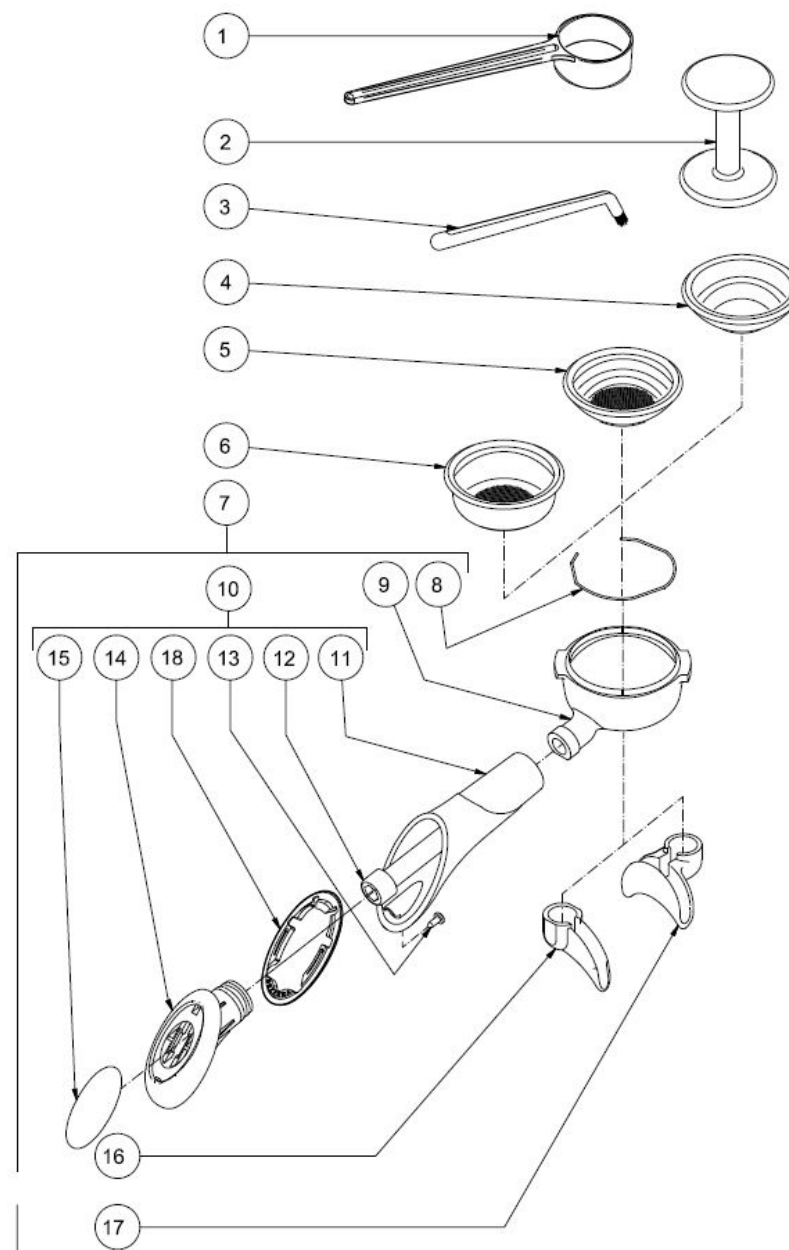
TABLE 7 - (from 03/12/2012 )  
GALATEA DOMUS

POS	CODE	DESCRIPTION
1	5372101	MEASURER
2	5373001	COFFEE-PRESS
3	7990603	CLEANING BRUSH
4	5471003	BLIND FILTER
5	5471031.01	FILTER 1 CUP 10 GRAMS WITH RUN CHANNEL
6	5471021.01	FILTER 2 CUPS 16 GRAMS AISI 304 WITH RUN CHANNEL
6	5471035	FILTER 2 CUPS 20 GRAMS WITH RUN CHANNEL
7	5965588.01R	ASSEMBLY COMPLETE FILTER-HOLDER 1 CUP
7	5965590.01R	ASSEMBLY COMPLETE FILTER-HOLDER 2 CUPS
8	5471527	FILTER-HOLDER SPRING D1.2 AISI 302
9	7479972.01TW	FILTER-HOLDER
10	5978508.01	KNOB
11	5371203	HANDLE
12	7816026	SCREW TCEI M12X60
13	7809806	SCREW TC M 3,5X8 PLASTITE
13	7809810	SCREW TC M 3,5X10 PLASTITE
14	5371204	PLUG CHROMED
15	5371205	PLATE WITH LOGO
16	7305006TW	SPOUT 1 WAY
17	7305007TW	SPOUT 2 WAY
18	7493021	KNOB GASKET

**BEZZERA**

**GALATEA DOMUS**

TABLE 7 - (from 03/12/2012 )  
GALATEA DOMUS





G. BEZZERA S.R.L.  
MACCHINE PER CAFFE' ESPRESSO  
Via Luigi Bezzera, 1  
20088 Rosate - Milano - Italy  
Tel. ++39 02 90848102 r.a. - Telefax ++39 02 90870287  
Web: [www.bezzera.com](http://www.bezzera.com)  
e-mail: [admin@bezzera.it](mailto:admin@bezzera.it)