



# BZ16

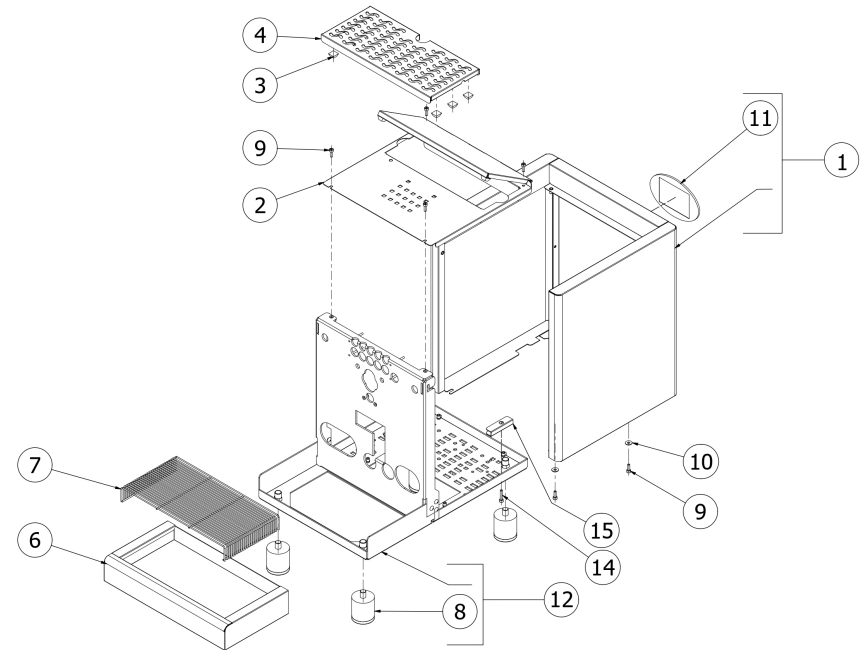
**COD. 9942064**

**REV. 02 ed.03/26**



**BEZZERA****BZ16**TABLE 1  
BZ16 Mod.S

POS	CODE	DESCRIPTION
1	5344025.01	BL06S BODY COMPLETE POLISHED
2	5961602.01	ASSEMBLY CUPS-HEATER
3	7474217	ADHESIVE FEET 12,7 H5,8
4	5074616LW	CUPS-HEATER GRID - DOMUS
6	5340503DL	DRIP TRAY S/S POLISHED
7	5261012	WIRED DISCHARGE GRID MIT/MAG/STREGA
8	7474218	FEET M10 D40X46
9	7816002	SCREW TCEI M4X12 UNI 5931 A2
10	7815005	FLAT WASHER D4.5X12 A2 AISI304
11	5521512	BEZZERA LABEL
12	5964663	FRAME ASSY BZ16R DE
12	5964664	FRAME ASSY BZ16S PM
14	7816005	SCREW TCEI M4X20 UNI 5931 A2
15	5057859LW	SQUARE RISE TANK MITICA TOP

**BEZZERA****BZ16**TABLE 1  
BZ16 Mod.S

**BEZZERA**

**BZ16**

TABLE 1A  
BZ16 Mod.R-TOP

POS	CODE	DESCRIPTION
1	5344025.01	BL06S BODY COMPLETE POLISHED
2	5056330LW	CUPS-HEATER TEK01 2B
3	7819901	SCREW TBEI M4X12 ISO 7380 A2 INOX
4	5074620LW	CUPS-HEATER GRID
5	5225230NC	FITTING 3/8" G NICKEL
6	5340503LL	DRIP TRAY S/S POLISHED
7	5261012	WIRED DISCHARGE GRID MIT/MAG/STREGA
8	7474218	FEET M10 D40X46
9	7816002	SCREW TCEI M4X12 UNI 5931 A2
10	7815005	FLAT WASHER D4.5X12 A2 AISI304
11	5521512	BEZZERA LABEL
12	5964663	FRAME ASSY BZ16R DE
12	5964665	FRAME ASSY BZ16S PM
13	7819911	SCREW TTEI M4X25 INOX
14	5492022	GASKET D25 X 17 X 2 ASBESTOS FREE
15	5224403.01NC	RUBBER-HOLDER
16	5963257	TRAY ASSY WITH RUBBER HOLDER
17	5074616LW	CUPS-HEATER GRID - DOMUS
18	7474217	ADHESIVE FEET 12,7 H5,8
19	5961602.01	ASSEMBLY CUPS-HEATER

**BEZZERA**

**BZ16**

TABLE 1A  
BZ16 Mod.R-TOP

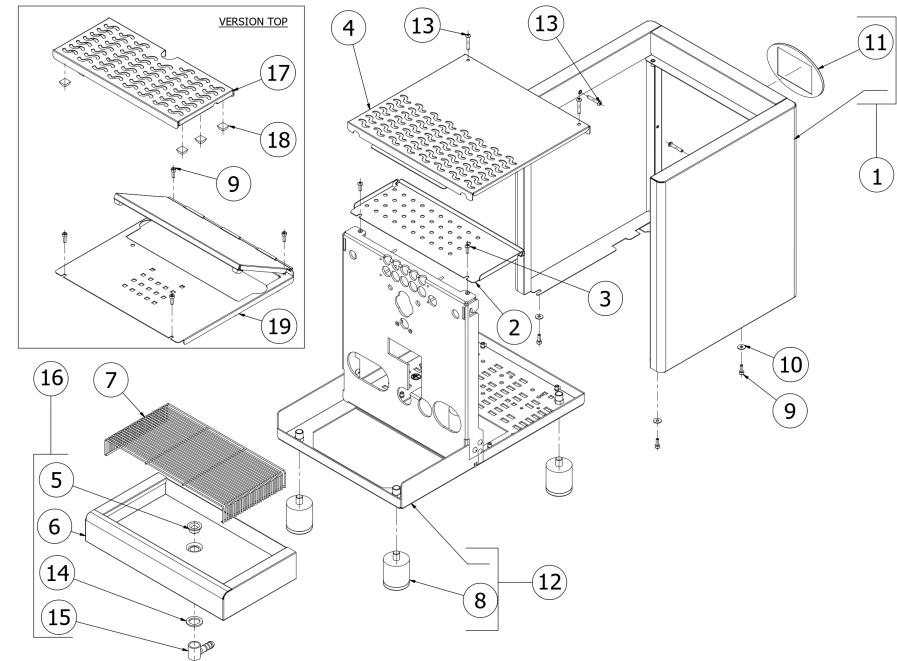


TABLE 2  
BZ16 Mod.S

POS	CODE	DESCRIPTION
1	5963070.05	ASSY TANK WITH FILTER
2	7611512	CLAMP
6	7374002	FILTER 1/4
8	7819912	SCREW M4X6
9	7374004	WASHER D4 NYLON
11	7496076	GASKET OR 112 EP856 80SH
12	5221830	NUT M20 H5 OT
13	5471535	TANK SUPPORT SHAPED SPRING
14	5963066.01	ASSEMBLY TANK SUPPORT
15	5225228.01AL	FITTING M20X1.25 ES22 H28.5 OT57USA
16	5225246AL	RUBBER-HOLDER G1/8
17	7826206	SCREW TCI M3X30 UNI 6107 OT
18	5194632	CRYSTAL TUBE D8X5 L=240MM+BANDS
19	7611516	CLAMP 10086
20	7303006	RUBBER-HOLDER FITTING
21	7816004	SCREW TCEI M4X16 A2
22	7815003	PLAIN WASHER D5 UNI 6592 A2
23	7470602	VIBRATION-DAMPING
24	7731024.01	VIBRATION PUMP PLUS 120V 60HZ OT57
24	7731023.01	VIBRATION PUMP OL PLUS 230V 50HZ OT
24	7731027.01	VIBRATION PUMP PLUS 240V 50HZ OT57
25	7634816	THERMIC SAFETY DEV.AUT.PUMP 100°
26	7432523.02	PRESSURE GAUGE D40 16BAR TRICOLOUR
27	7400909	PUMP CAPILLARY
28	7304545TR	CROSS FITTING 1/8
30	7303063TR	ELBOW FITTING BODY 1/8"
32	7702322.01	EV.2WAY OLAB 220/230V 25BAR SMALL
32	7701123.01	EV.2 WAY 110V 25BAR SMALL COIL
32	7702415.01	EV.2 WAY 240V 25BAR SMALL COIL
33	5301504AL	ELBOW FITTING M12X1/8

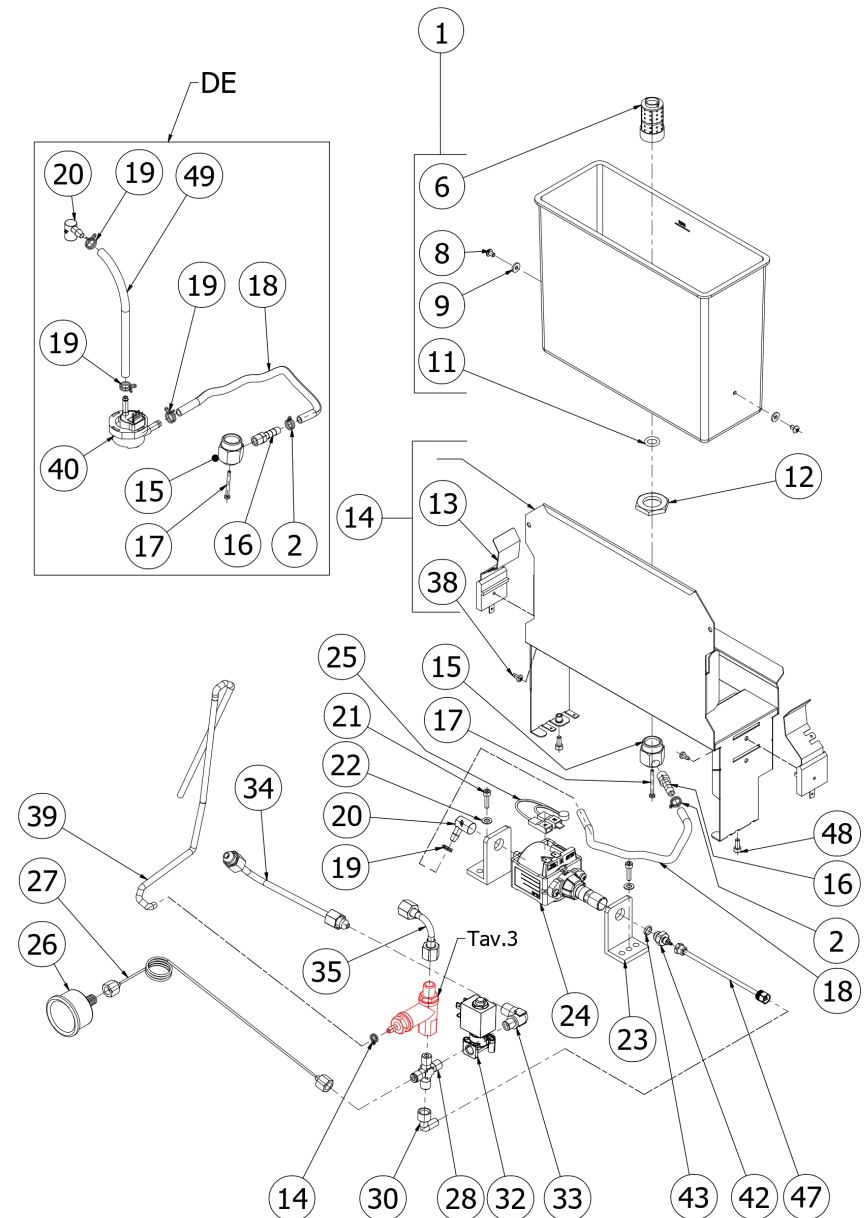
TABLE 2  
BZ16 Mod.S

TABLE 2  
BZ16 Mod.S

POS	CODE	DESCRIPTION
34	5162237.01LL	BOILER CHARGE PIPE
35	5162236.01LL	SURPRESSION VALVE - HEAT EXCHANGER
38	7809806	SCREW TC M 3,5X8 PLASTITE
39	5194592	DRAIN HOSE L=1000MM SILICONE
40	7431002	FLOW METER LOW PRESSURE
42	7303057	STRAIGHT FITTING BODY M1/8
43	7496023	GASKET OR 106 VITON
47	5194590.01LL	PTFE TUBE ASSY 4X140
48	7816009	SCREW TCEI M4X10 UNI 5931A2
49	5194570	CRYSTAL TUBE D8X5 L=150MM

TABLE 2  
BZ16 Mod.S

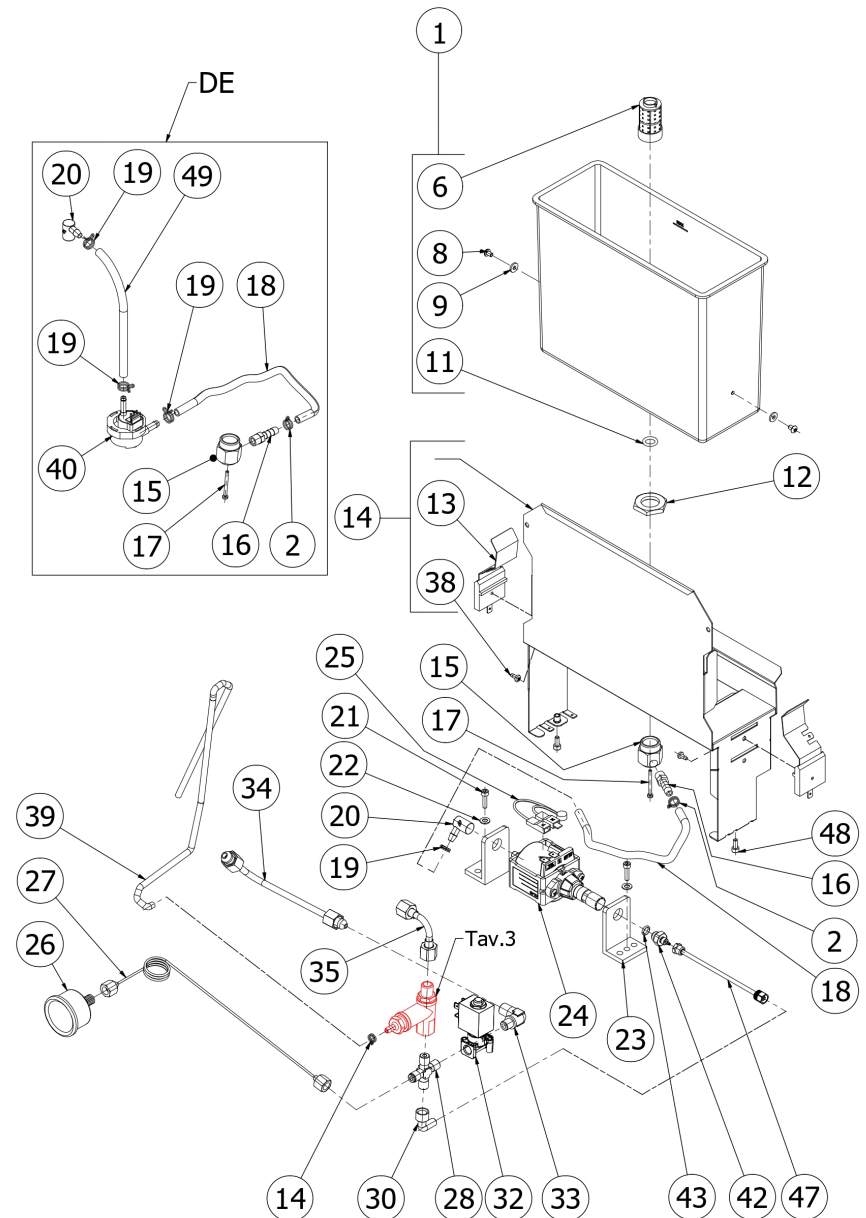


TABLE 2A  
BZ16 Mod.R

POS	CODE	DESCRIPTION
1	7741005.03	ELECTRIC MOTOR 110V 25MF 50/60HZ
1	7742404.03	ELECTRIC MOTOR 220/240V 6MF 50/60HZ
2	7730509	ROTARY PUMP 50-70L/H+BAND+JOINT
3	5302057AL	FITTING 1/8
4	7303062TR	ELBOW FITTING BODY M1/8" T4
5	5194601.01LL	ASSY PTFE PIPE
6	7200514	FLEXIBLE HOSE 3/8
7	7432523.02	PRESSURE GAUGE D40 16BAR TRICOLOUR
8	5194571	HOSE D6X4 L=200 SILICONE (R)
9	7303033	FITTING
10	5283062	CONICAL DISCHARGE FITTING
11	5221844	NUT 1/8
12	7815001	WASHER D10 UNI 6592 A2
13	7400909	PUMP CAPILLARY
14	7303063TR	ELBOW FITTING BODY 1/8"
15	7304502TR	STRAIGHT FITTING 1/8
16	7304545TR	CROSS FITTING 1/8
17	7815005	FLAT WASHER D4.5X12 A2 AISI304
18	7701123.01	EV.2 WAY 110V 25BAR SMALL COIL
18	7702415.01	EV.2 WAY 240V 25BAR SMALL COIL
18	7702322.01	EV.2WAY OLAB 220/230V 25BAR SMALL
19	5301504AL	ELBOW FITTING M12X1/8
20	7822603	NUT M4 OT
21	7474219	FEET
22	7816027	SCREW TCEI M5X8 UNI5931 A2
23	7814002	NOTCHED WASHER D4
24	5058411LL	MOTOR SUPPORT RPM W/COMPASSES
25	7470604	VIBRATION-DAMPING
26	5162236.01LL	SURPRESSION VALVE - HEAT EXCHANGER
27	5162497LL	BOILER LOAD PIPE

TABLE 2A  
BZ16 Mod.R

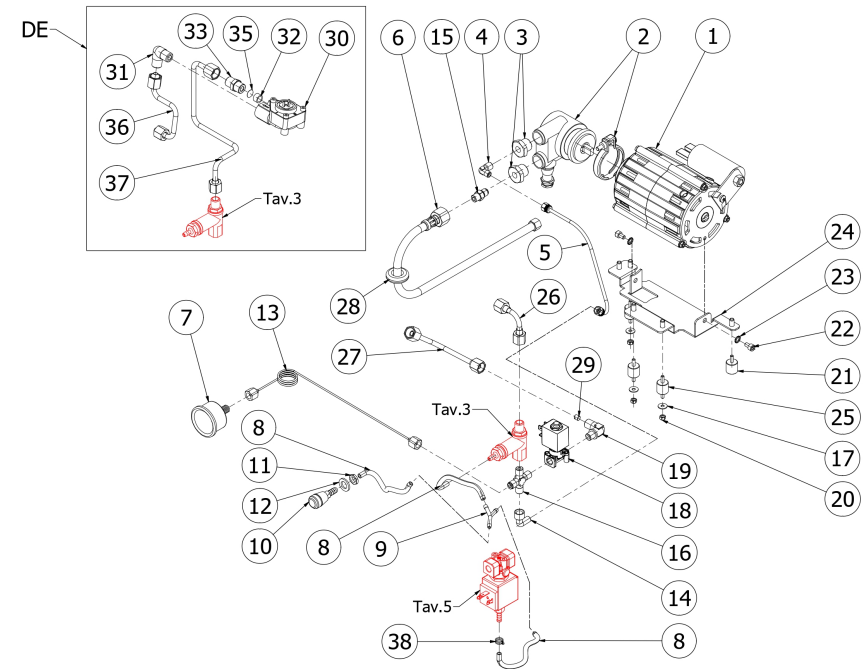


TABLE 2A  
BZ16 Mod.R

POS	CODE	DESCRIPTION
28	7613004	FAIRLEAD WITH HOLE RUBBER
29	5223003	JET M6 X 6 HOLE D0.8 OT
30	7431001.01	VOLUMETRIC COUNTER+AUTOMATIC LED
31	5301506TR	UNION ELBOW M13X1/4
32	5191501	SPACER D11X8X6.5 PTFE
33	5302019AL	FITTING M13X1/4
35	5471001	NET FILTER D11 AISI 304
36	5162403LL	VOLUMETRIC METER-EXCHANGER TUBE FOR
37	5162404.01LL	VOLUMETRIC COUNTER TUBE-EV L/A BZ16 DE
38	7611515	CLAMP

TABLE 2A  
BZ16 Mod.R

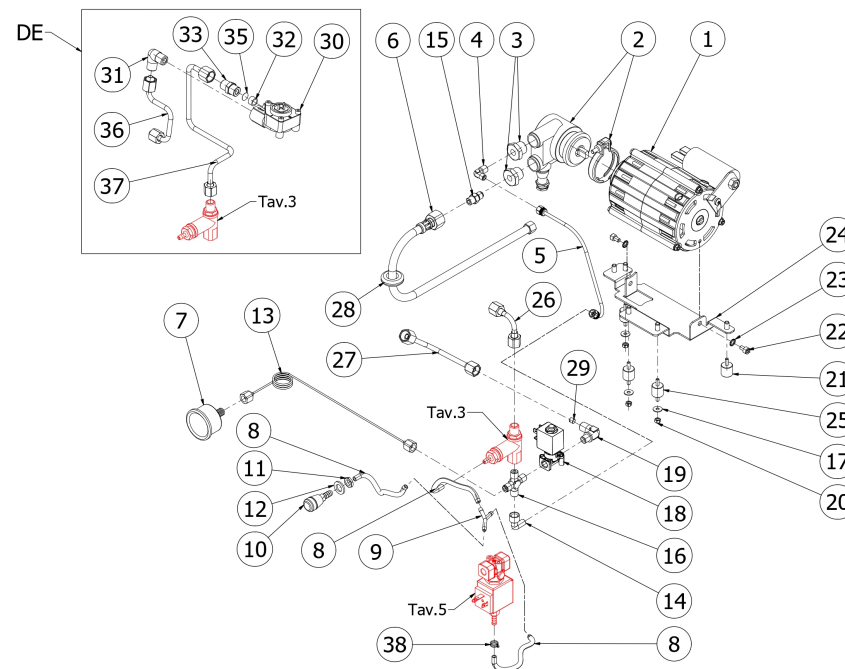


TABLE 2B  
BZ16 Mod.TOP

POS	CODE	DESCRIPTION
1	5963070.05	ASSY TANK WITH FILTER
2	7374002	FILTER 1/4
3	7819912	SCREW M4X6
4	7374004	WASHER D4 NYLON
5	7496076	GASKET OR 112 EP856 80SH
6	5221830	NUT M20 H5 OT
7	5471535	TANK SUPPORT SHAPED SPRING
8	7809806	SCREW TC M 3,5X8 PLASTITE
9	5963066.01	ASSEMBLY TANK SUPPORT
10	5057859LW	SQUARE RISE TANK MITICA TOP
11	7816005	SCREW TCEI M4X20 UNI 5931 A2
12	7741005.03	ELECTRIC MOTOR 110V 25MF 50/60HZ
12	7742404.03	ELECTRIC MOTOR 220/240V 6MF 50/60HZ
13	7730509	ROTARY PUMP 50-70L/H+BAND+JOINT
14	5302057AL	FITTING 1/8
15	7303062TR	ELBOW FITTING BODY M1/8" T4
16	5194617	PTFE HOSE 6X140
17	5471545	SPRING COVER TUBE PTFE
18	7304538TR	FITTING
19	7304534TR	STRAIGHT FITTING M1/8
20	5225228.01AL	FITTING M20X1.25 ES22 H28.5 OT57USA
21	7826206	SCREW TCI M3X30 UNI 6107 OT
22	7304543TR	FITTING TEE CONICAL 1/8
23	7492004	GASKET D8.5 X 4.2 X 1.5
24	7200501	FLEXIBLE HOSE 1/8
25	7613004	FAIRLEAD WITH HOLE RUBBER
26	7304502TR	STRAIGHT FITTING 1/8
27	5492019	GASKET D8 X 2 ASBESTOS FREE
28	5221835	CAP NUT 1/8
29	7432523.02	PRESSURE GAUGE D40 16BAR TRICOLOUR

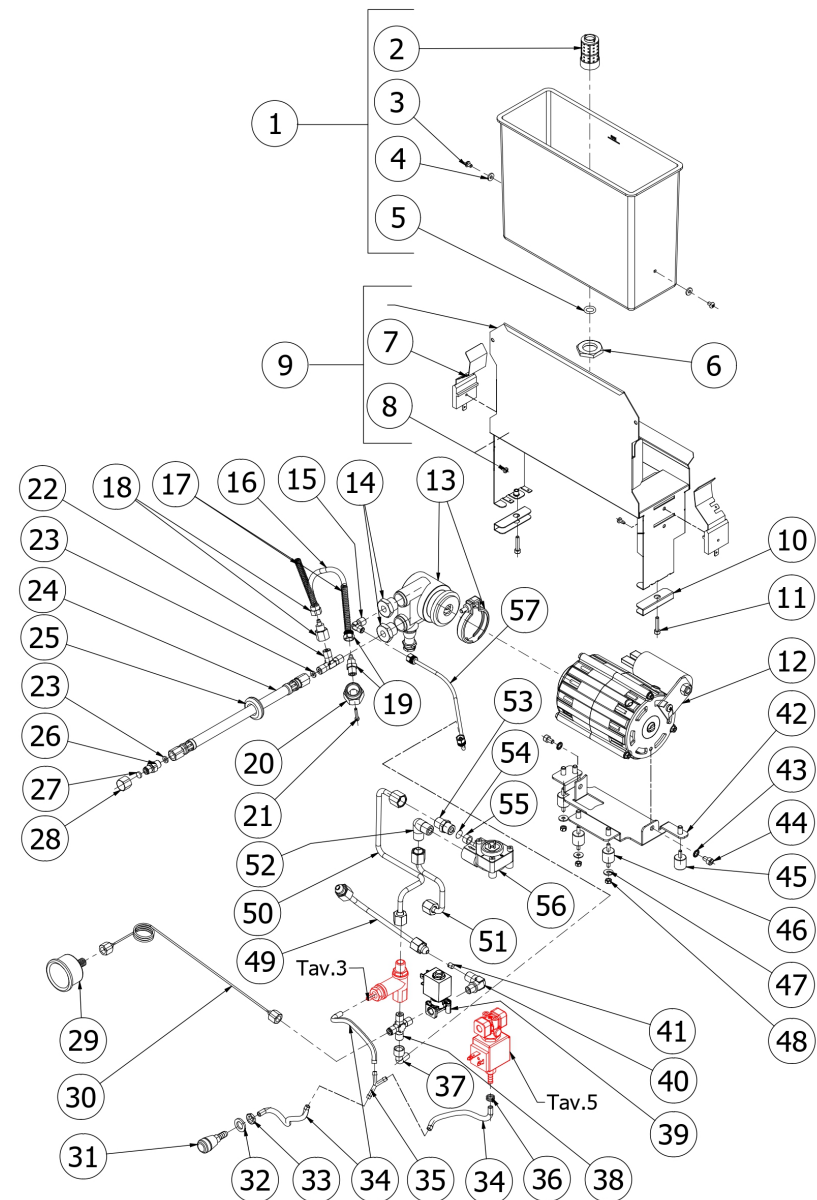
TABLE 2B  
BZ16 Mod.TOP

TABLE 2B  
BZ16 Mod.TOP

POS	CODE	DESCRIPTION
30	7400909	PUMP CAPILLARY
31	5283062	CONICAL DISCHARGE FITTING
32	7815001	WASHER D10 UNI 6592 A2
33	5221844	NUT 1/8
34	5194571	HOSE D6X4 L=200 SILICONE (R)
35	7303033	FITTING
36	7611515	CLAMP
37	7303063TR	ELBOW FITTING BODY 1/8"
38	7304545TR	CROSS FITTING 1/8
39	7701123.01	EV.2 WAY 110V 25BAR SMALL COIL
39	7702322.01	EV.2WAY OLAB 220/230V 25BAR SMALL
39	7702415.01	EV.2 WAY 240V 25BAR SMALL COIL
40	5301504AL	ELBOW FITTING M12X1/8
41	5223003	JET M6 X 6 HOLE D0.8 OT
42	5058411LL	MOTOR SUPPORT RPM W/COMPASSES
43	7814002	NOTCHED WASHER D4
44	7816027	SCREW TCEI M5X8 UNI5931 A2
45	7474219	FEET
46	7470604	VIBRATION-DAMPING
47	7815005	FLAT WASHER D4.5X12 A2 AISI304
48	7822603	NUT M4 OT
49	5162237.01LL	BOILER CHARGE PIPE
50	5162404.01LL	VOLUMETRIC COUNTER TUBE-EV L/A BZ16 DE
51	5162403LL	VOLUMETRIC METER-EXCHANGER TUBE FOR
52	5301506TR	UNION ELBOW M13X1/4
53	5302019AL	FITTING M13X1/4
54	5471001	NET FILTER D11 AISI 304
55	5191501	SPACER D11X8X6.5 PTFE
56	7431001.01	VOLUMETRIC COUNTER+AUTOMATIC LED
57	5194601.01LL	ASSY PTFE PIPE

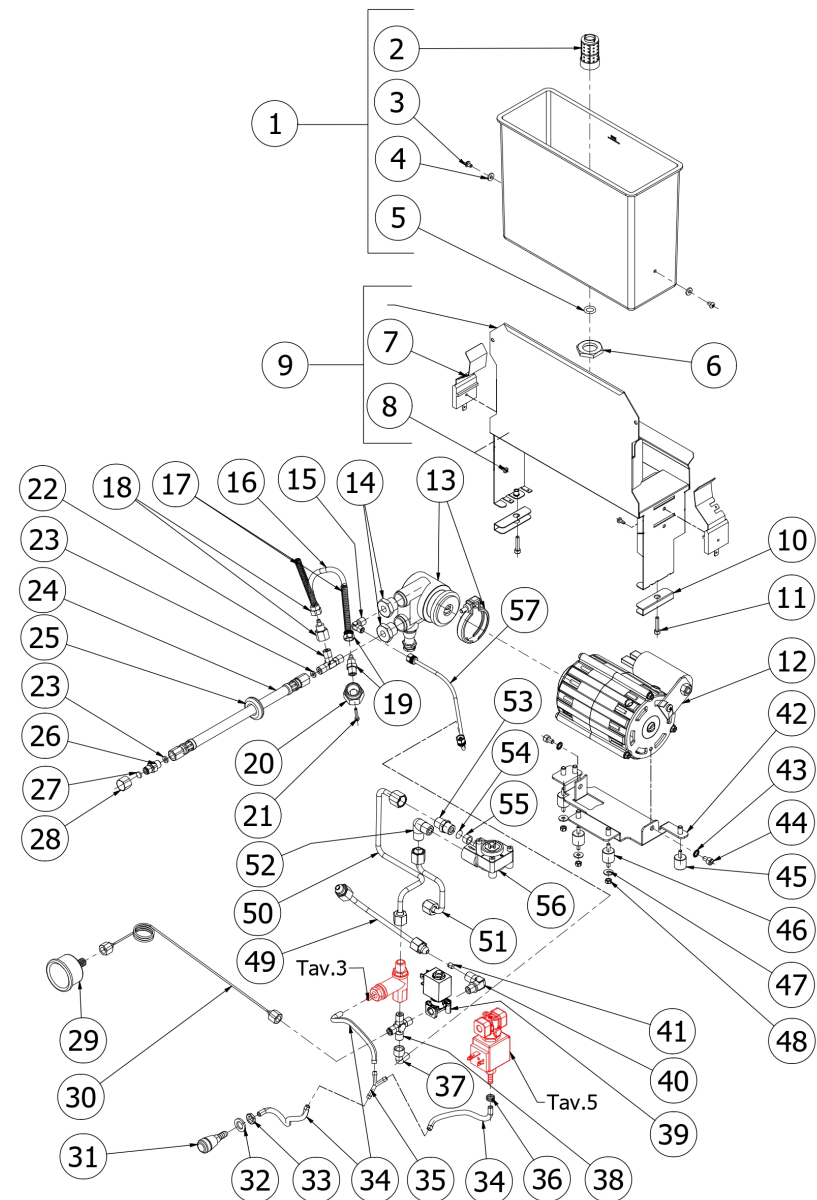
TABLE 2B  
BZ16 Mod.TOP

TABLE 3  
BZ16

POS	CODE	DESCRIPTION
1	5302017AL	FITTING M12 ES16 H26.5 OT57USA
2	5471505	CALIBRATED SPRING D0.45 H22 AISI302
3	5224615AL	GASKET-HOLDER SURP.VALVE OT57USA
4	7496018	OR GASKET 105
5	5283053TP	SURPRESSION VALVE BODY
6	5471019	FILTER D8,5X5 AISI304
7	5493042	GASKET D.11X3
8	5224620AL	GASKET-HOLDER ES.12X6.8 OT57USA
9	5471539	CALIBRATED SPRING D.1,6
10	7496052	OR GASKET 114 VITON
11	5302077AL	FITTING PORT.M14X1 OTXTUBO6X4 OT57U
12	5965212.01AL	ASSY OPV ADJUST. 9/12 BAR

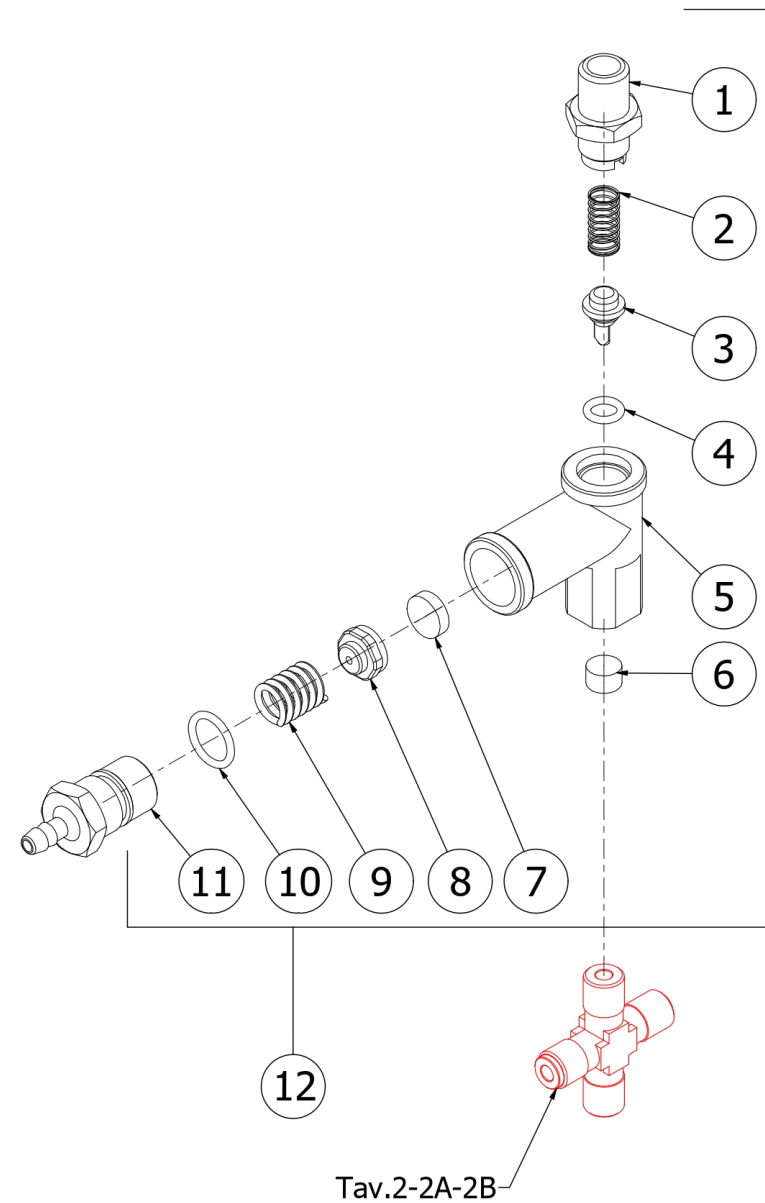
TABLE 3  
BZ16

TABLE 4  
BZ16

POS	CODE	DESCRIPTION
1	7432522.02	PRESSURE GAUGE D40 3BAR TRICOLOUR
2	7400908	BOILER CAPILLARY
3	5302005AL	FITTING M13X3/8
4	5225205	STRAIGHT FITTING M10 OT
5	5192001	PROBE SHEATH D8 X 45 HOLE D3 PTFE
6	5265812	MINIMUM LEVEL PROBE D3 X 110 X 4.8
7	5265819	LEVEL PROBE D3 X 80 X 6.3
8	5225413AL	REDUCTION 1/2
9	7452509.02	SAFETY VALVE 3/8
10	7452511.01	ANTI-PRESSURE VALVE RC OT + TF
11	5162239.02LL	VALVE PIPE
12	7433013	PRESSOSTAT XP/100 1/4
13	5492028	GASKET D10.5X4X3
14	5162402.02LL	PRESSURE SWITCH HOSE BZ16
15	5495007	COPPER GASKET D32X40
16	5329019DC-AL	EXCHANGER 2 HOLES L=140 BZ-STREGA
17	5302006AL	FITTING M12X1/8
18	5192301	SUCTION D6X1 L=130MM PTFE
19	5722240.01AL	HEATING ELEMENT 220/240V-1250/1450W
19	5721127AL	COPPER HEATING ELEMENT 110V 1350W
20	5492025	GASKET D42X32X2 PTFE
21	5221813	PLUG M12X1 OT
22	5492008	GASKET D10 X 2
23	5227012	SCREW TE M8X7.5
24	7434009	THERMOSTAT MANUAL 16A 135°C
25	5320501.02BL	ASSEMBLY BOILER POLISHED

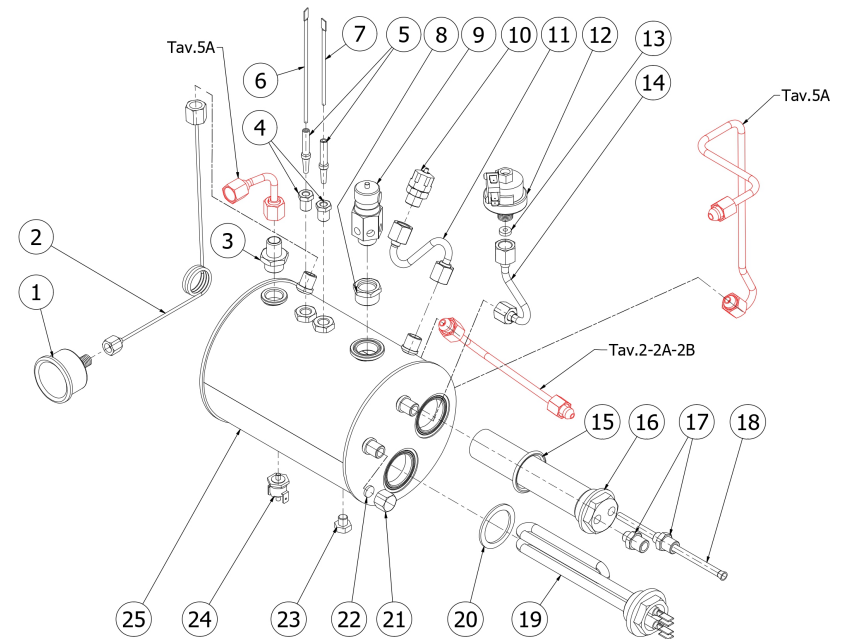
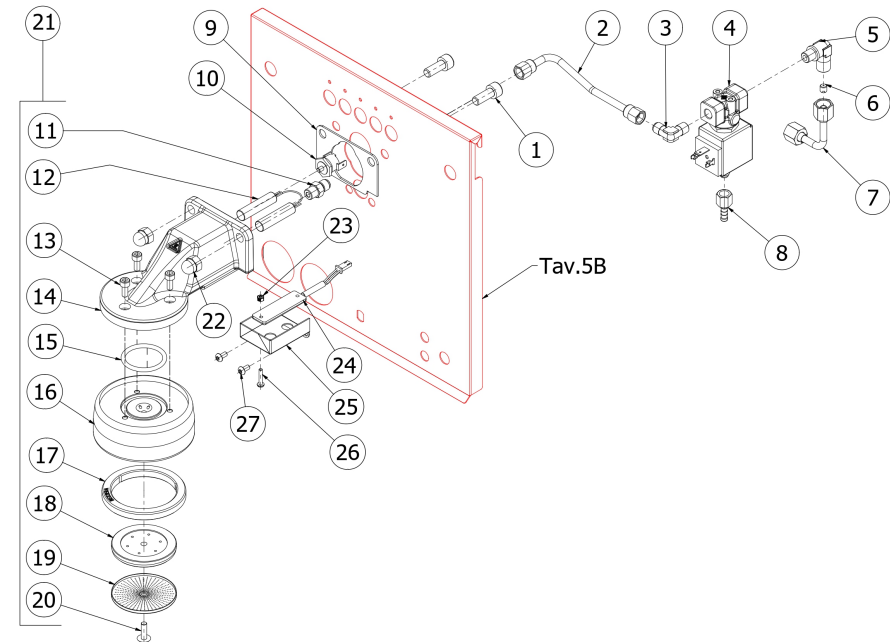
TABLE 4  
BZ16

TABLE 5  
BZ16

POS	CODE	DESCRIPTION
1	7816014	SCREW M8X20 UNI5931 A2
2	5162397.01LL	EV TUBE GROUP BZ16
3	7303001TR	UNION ELBOW 1/8
4	7702418R	SOLENOID VALVE 3 WAYS ODE 230/240V
4	7702419R	SOLENOID VALVE 3 WAYS ODE 110/120V
5	5301504AL	ELBOW FITTING M12X1/8
6	5223005TP	JET M6 X 6 HOLE D1.2 OT
7	5162526LL	GROUP E.VALVE DRAIN RUBBER HOLDER
8	5370313	GROUP E.VALVE DRAIN RUBBER HOLDER
9	7493013	GASKET BZ07 GROUP
10	7634808	THERMAL SAFETY DEVICE 250V 95°C
11	7304502TR	STRAIGHT FITTING 1/8
12	5963182.01	ASSY HEATING ELEMENT CARTRIDGE
12	5963220.01	ASSY HEATING CARTRIDGE DOUBLE
13	7816001	SCREW TCEI M5X12 UNI 5931 A2
14	5283059.02TW-AL	BZ GROUP BODY
15	7496004.01	GASKET OR 139 VITON FDA
16	5280502TW-AL	COUPLING RING DENICROMAL
17	7493022	COUPLING RING RED GASKET BZ GROUP
18	5285501AL	SHOWER-HOLDER D57 H7.5 OT60LF
19	5470501	SHOWER D57 AISI 304
20	7809903	SCREWS POLIERS M5X16 A4 AISI316
21	5963575.06	ASSY BZ GROUP W/NEW OR GASKET 220-
21	5963574.06	ASSY GROUP BZ NEW OR GASKET 110-120V
22	5221863CM	CAP NUT M8 ES.14 H17 OT CHROMED
23	7822602	NUT M3 OT
24	7663632	ASSY LED SINGLE GROUP
25	5073032LW	BZ16 LED SUPPORT
26	7809811	PLASTIC SCREW TCI M3X16 DIN85
27	7819908	SCREW TTEI M4X8

TABLE 5  
BZ16

**BEZZERA**

**BZ16**

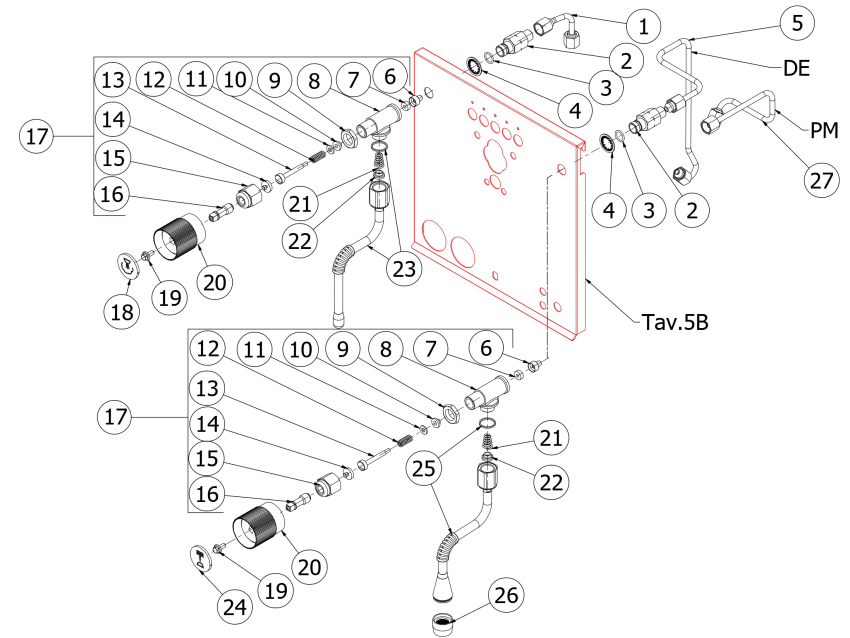
TABLE 5A - (from 07/10/2025 )  
BZ16

POS	CODE	DESCRIPTION
1	5162234.01LL	STEAM TAP HOSE
2	5225416.01AL	FITTING M14XM13 ES19 H31 WITHOUT OR
3	7496052	OR GASKET 114 VITON
4	7814201	WASHER 14 DIN6798J A2
5	5162405.02LL	WATER TAP PIPE BZ16 DE
6	5224603AL	GASKET HOLDER D12X12 OT57USA
7	5496042	GASKET D11X4X4 EPT 70
8	5283055TW	TAP BODY OT FOR OR
9	5221826CM	NUT 3/8
10	5494004	GASKET D12 X 6 PTFE GRAPHITIZED
11	5261801	WASHER D11
12	5471513	SPRING D8 H17 AISI302
13	5260204DL	SHAFT D12X47 AISI303 POLISH
14	5260600	STUD
15	5221882CM	CHROMED LOCKING NUT 3/8
16	5220416.01CM	ROTATION TAP ROD
17	5964102	ASSY ROTATION TAP SEMI PR.
18	5373903CM	STEAM TOP
19	7819920	SCREWS TE M5X10 C/KNURLED STAINLESS
20	5371802	KNOB D40 BZ40
21	5471532.01	SPRING FOR ARTICULATION
22	5190501	CUP FOR FITTING PTFE/GLASS
23	7479990.03	STEAM TUBE TERMINAL 2 HOLES SPHERE
24	5373904CM	WATER TOP
25	5966566	WATER TUBE SEMISPHERE 14.3
26	5226601TW	WATER HOSE TERMINAL
27	5162496.01LL	WATER PIPE

**BEZZERA**

**BZ16**

TABLE 5A - (from 07/10/2025 )  
BZ16



**BEZZERA**

**BZ16**

TABLE 5A - (up to 06/10/2025)  
BZ16

POS	CODE	DESCRIPTION
2	5900035	STEAM HOSE AND FITTING KIT – STREGA MAGICA MITICA BZ16
3	7496052	OR GASKET 114 VITON
4	7814201	WASHER 14 DIN6798J A2
5	5900038	WATER HOSE AND FITTING KIT – BZ16 DE
6	5224603AL	GASKET HOLDER D12X12 OT57USA
7	5496042	GASKET D11X4X4 EPT 70
8	5283055TW	TAP BODY OT FOR OR
9	5221826CM	NUT 3/8
10	5494004	GASKET D12 X 6 PTFE GRAPHITIZED
11	5261801	WASHER D11
12	5471513	SPRING D8 H17 AISI302
13	5260204DL	SHAFT D12X47 AISI303 POLISH
14	5260600	STUD
15	5221882CM	CHROMED LOCKING NUT 3/8
16	5220416.01CM	ROTATION TAP ROD
17	5964102	ASSY ROTATION TAP SEMI PR.
18	5373903CM	STEAM TOP
19	7819920	SCREWS TE M5X10 C/KNURLED STAINLESS
20	5371802	KNOB D40 BZ40
21	5471532.01	SPRING FOR ARTICULATION
22	5190501	CUP FOR FITTING PTFE/GLASS
23	7479990.03	STEAM TUBE TERMINAL 2 HOLES SPHERE
24	5373904CM	WATER TOP
25	5966566	WATER TUBE SEMISPHERE 14.3
26	5226601TW	WATER HOSE TERMINAL
27	5900036	WATER HOSE AND FITTING KIT – MAGICA MITICA BZ16

**BEZZERA**

**BZ16**

TABLE 5A - (up to 06/10/2025)  
BZ16

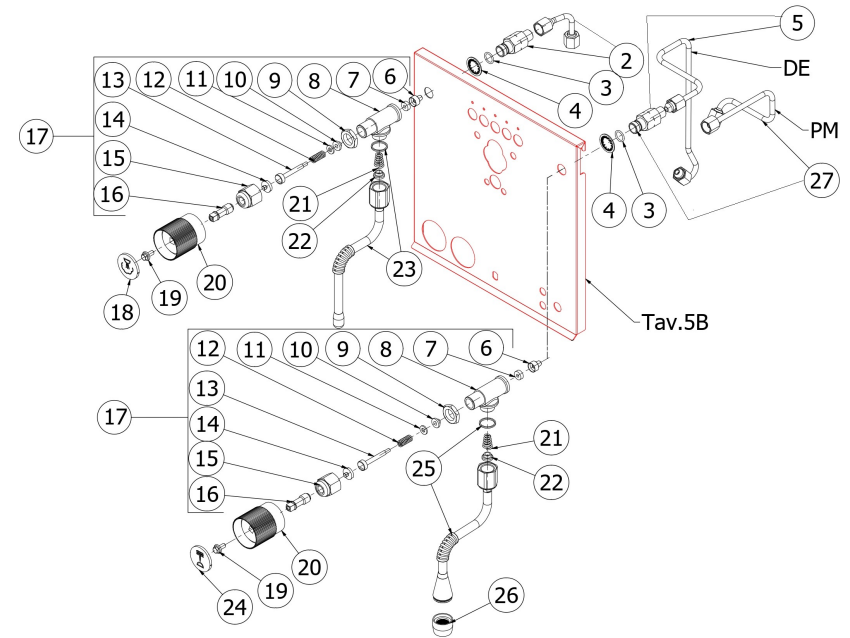


TABLE 5B  
BZ16

POS	CODE	DESCRIPTION
1	7633326	BIPOLAR SWITCH LEVER
2	5074907.01SG	GROUP FRONTAL BZ16 PM SILK-SCREEN-PRINTED
3	7372507	PROTECTION WITH NICKEL NUT IU0598
4	7633628	WHITE LAMP
5	5074906.01SG	GROUP FRONTAL BZ16 DE SILK-SCREEN-PRINTED
6	5661505.02NY	5 BLACK KEYS SERIES NYLON
7	5191513	SPACER NYLON 66 L=7 MM
8	7665524.02PR	CARD KEYS.6KEYS 6LED WHITE PRESSURE
9	5191511	SPACER
10	5053024.02LW	BZ16 COVERING KEYBOARD PROELIND
11	7812402	NUT M3 UNI7473 A2 SELF-LOCKING INOX
12	7809809	PLASTIC SCREW TCI M3X5 DIN7985

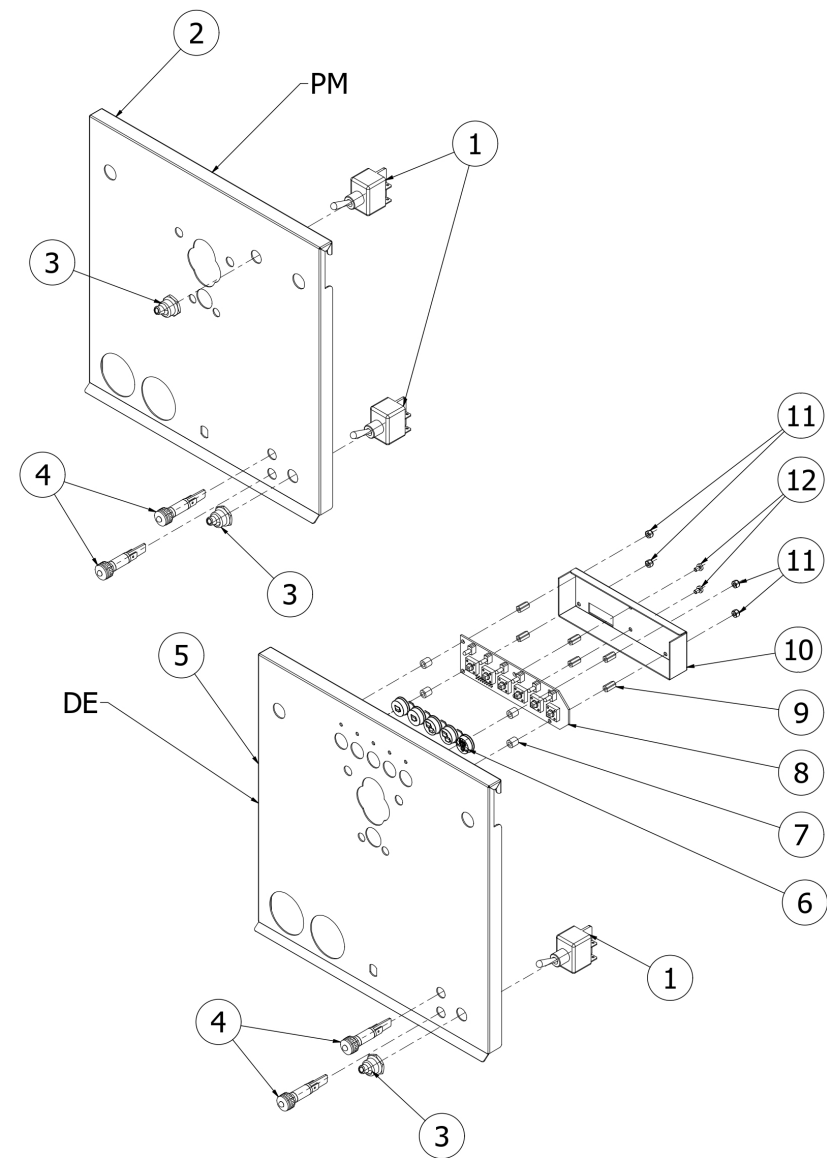
TABLE 5B  
BZ16

TABLE 6  
BZ16 Mod.DE

POS	CODE	DESCRIPTION
1	7635424.01	RELAIS SSR FOR T.PID
2	7816009	SCREW TCEI M4X10 UNI 5931A2
3	7662650.03PR	ELECTRONIC DOSAGE 1GR 3S 115V
3	7662671.02PR	ELECTRONIC DOSAGE 1GR 3S 220/240V
4	7551003	CABLE WITH USA PLUG 250V 20A
4	7554001	ELECTRIC CABLE WITH ENGLISH PLUG
4	7555001	ELECTRIC CABLE WITH SHUKO PLUG
4	7552001	ELECTRIC CABLE WITH AUSTRALIAN PLUG
4	7555003	SWISS PLUG CABLE H05VV-F 3X1,5 10A
4	7551001	ELECTRIC CABLE WITH USA PLUG L=1.5M
5	7614006	NUT PG13.5
6	5962542	SWITCH ASSY + CABLES FOR LED
7	7816002	SCREW TCEI M4X12 UNI 5931 A2
8	5035709.02LW	MITICA PID C / B ELECTRONIC PARTS P
9	7614007	FAIRLEAD WITH HOLE RUBBER
10	7812601	INOX NUT M4 UNI5588

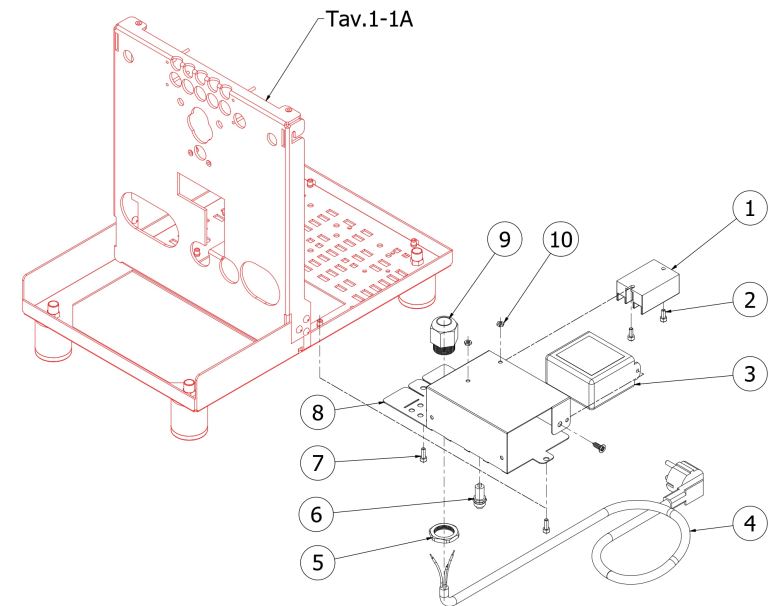
TABLE 6  
BZ16 Mod.DE

TABLE 6A  
BZ16 Mod.PM

POS	CODE	DESCRIPTION
1	7635424.01	RELAIS SSR FOR T.PID
2	7816009	SCREW TCEI M4X10 UNI 5931A2
3	7661006.01R	LEVEL REGULATOR 100/120V 50/60HZ
3	7661007.01R	CONTROL UNIT 220/240V 50/60HZ
4	7555003	SWISS PLUG CABLE H05VV-F 3X1,5 10A
4	7552001	ELECTRIC CABLE WITH AUSTRALIAN PLUG
4	7554001	ELECTRIC CABLE WITH ENGLISH PLUG
4	7551003	CABLE WITH USA PLUG 250V 20A
4	7555001	ELECTRIC CABLE WITH SHUKO PLUG
4	7551001	ELECTRIC CABLE WITH USA PLUG L=1.5M
5	7614006	NUT PG13.5
6	5962542	ASSY INTERR.+CAVI X LED
7	7816002	SCREW TCEI M4X12 UNI 5931 A2
8	5035709.02LW	MITICA PID C / B ELECTRONIC PARTS P
9	7614007	FAIRLEAD WITH HOLE RUBBER
10	7812601	INOX NUT M4 UNI5588

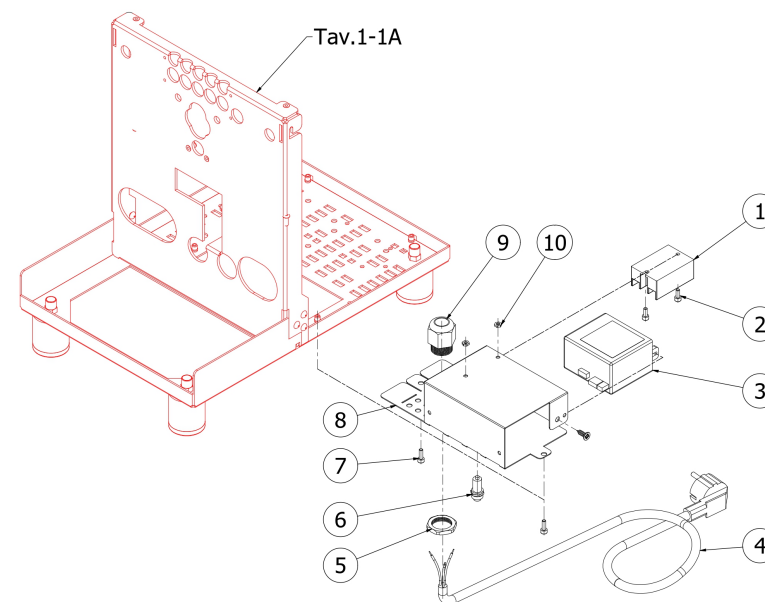
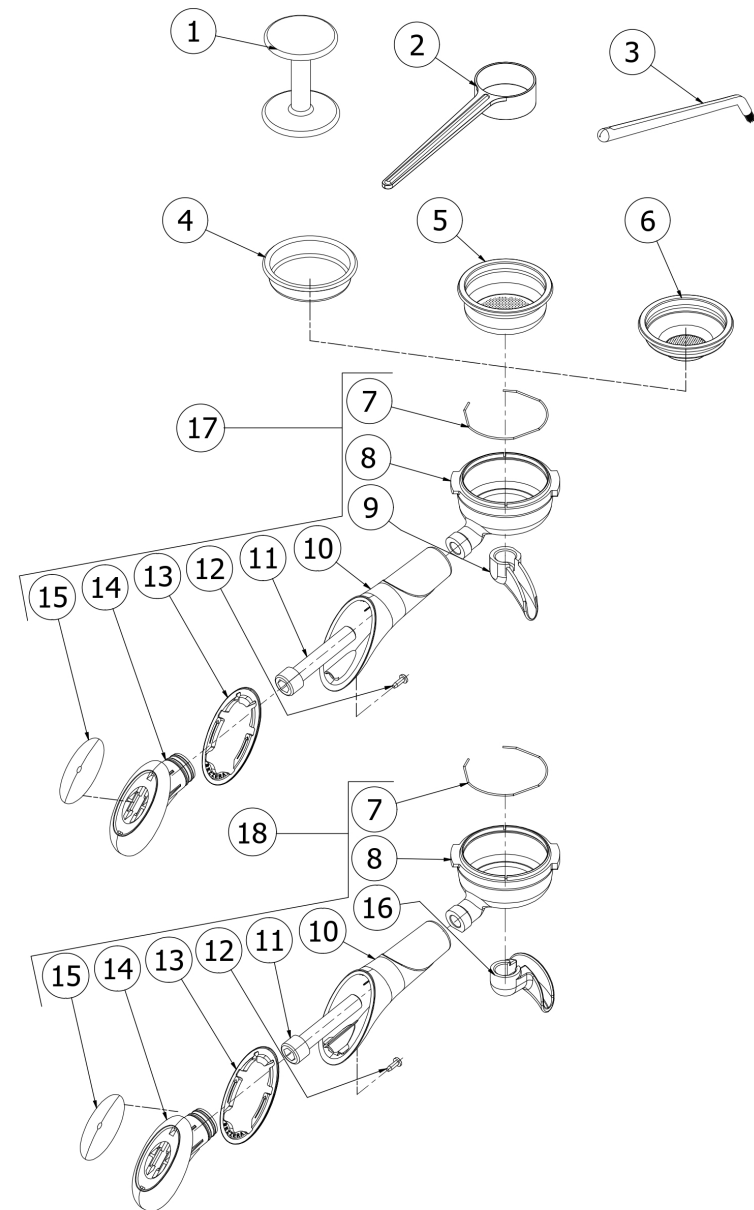
TABLE 6A  
BZ16 Mod.PM

TABLE 7  
BZ16

POS	CODE	DESCRIPTION
1	5373001	COFFEE-PRESS ABS
2	5372101	BLACK MEASURE
3	7990603	CLEANING BRUSH FOR COFFEE MACHINE
4	5471038	BLIND FILTER AISI304
5	5471035	FILTER 2 CUPS 20 GRAMS
6	5471031.01	FILTER 1 CUP 10 GRAMS
7	5471527	FILTER-HOLDER SPRING D1.2 AISI 302
8	5286016TW	FILTER-HOLDER TILTED HANDLE BZ
9	7305006TW	SPOUT 1 WAY S/PB+PWP
10	5371203	HANDLE
11	7816026	SCREW TCEI M12X60
12	7809810	SCREW PLAS FIX 45 TC POZI D.3,5X10
13	7493021	GASKET FOR LOGO HANDLE
14	5371204.01	CHROMED PLUG
15	5371205.01	BEZZERA VINTAGE LOGO LABEL
16	7305007TW	SPOUT 2 WAYS WITHOUT PB+PWP
17	5965626.03R	ASSY FLTER-HOLDER BZ GROUP 1CUP
18	5965625.02R	ASSY FILTER-HOLDER BZ GROUP 2CUPS

TABLE 7  
BZ16





G.BEZZERA S.R.L.  
MACCHINE PER CAFFE' ESPRESSO  
Via Luigi Bezzera,1  
20088 Rosate - Milano - Italy  
Tel. +39 02 90848102 r.a.  
Web: [www.bezzera.com](http://www.bezzera.com)  
e-mail: [admin@bezzera.it](mailto:admin@bezzera.it)