

**BEZZERA**

Dal 1901

**BZ09**

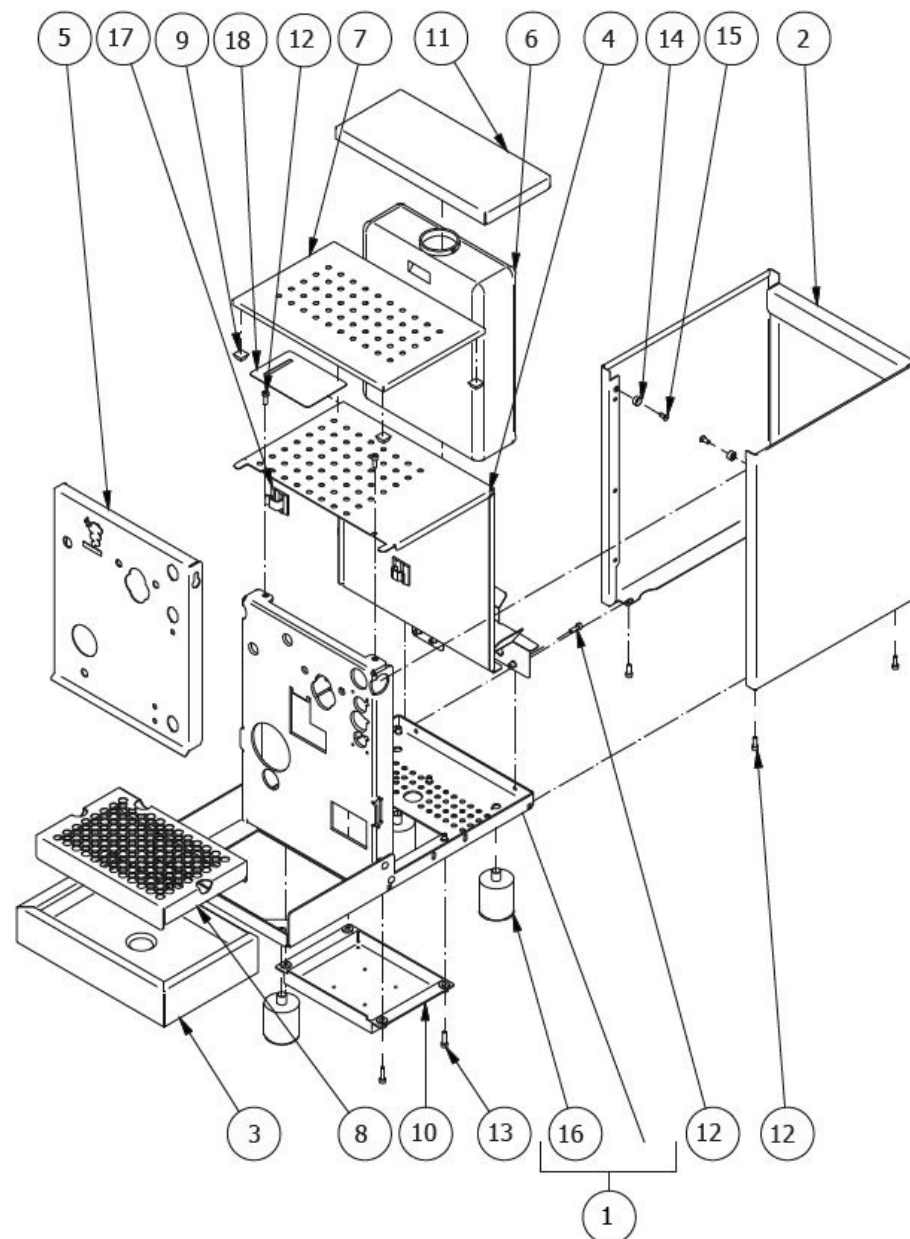
**COD. 9942040.06**

**REV. 05 ed.12/24**



TABLE 1 - (up to 30/11/2015)  
BZ09

POS	CODE	DESCRIPTION
1	5964612	ASSEMBLY CHASSIS PM BZ07
2	5071733LL	BODY STAINLESS STEEL POLISHED
3	5340510	DRIP TRAY
4	5963068.02	TANK SUPPORT
5	5074453SG	GROUP FRONTAL PM
6	7373009	TANK 3 LT. CAPACITY
7	5074621LW	CUPS-HEATER GRID BZ07 BA
8	5074622LW	DRAIN GRID
9	7474217	ADHESIVE FEET 12,7 H5,8
10	5373102.01	HEATING ELEMENT PROTECTION
11	5073020LW	TRAY COVER STAINLESS
12	7816002	SCREW TCEI M4X12
13	7816004	SCREW TCEI M4 X 16
14	5220818	BUSHING D10 X 4.2 OT
15	7817004	SCREW TPS M4X10 DIN 963 A2
16	7474218	FEET M10 D40X46
17	7611517	CLAMP
18	5125705	SUPPORT

TABLE 1 - (up to 30/11/2015)  
BZ09

**BEZZERA**

**BZ09**

TABLE 1 - (from 01/12/2015 )  
BZ09

POS	CODE	DESCRIPTION
1	5964612.01	ASSEMBLY CHASSIS
2	5071733LL	BODY STAINLESS STEEL POLISHED
3	5340510	DRIP TRAY
4	5963068.03	TANK SUPPORT
5	5074453.01SG	GROUP FRONTAL PM
6	7373009	TANK 3 LT. CAPACITY
7	5074621LW	CUPS-HEATER GRID BZ07 BA
8	5074622LW	DRAIN GRID
9	7474217	ADHESIVE FEET 12,7 H5,8
10	5373102.01	HEATING ELEMENT PROTECTION
11	5073020LW	TRAY COVER STAINLESS
12	7816002	SCREW TCEI M4X12
13	7816004	SCREW TCEI M4 X 16
14	5521512	LABLE
15	5125705	SUPPORT
16	7474218	FEET M10 D40X46
17	7611517	CLAMP

**BEZZERA**

**BZ09**

TABLE 1 - (from 01/12/2015 )  
BZ09

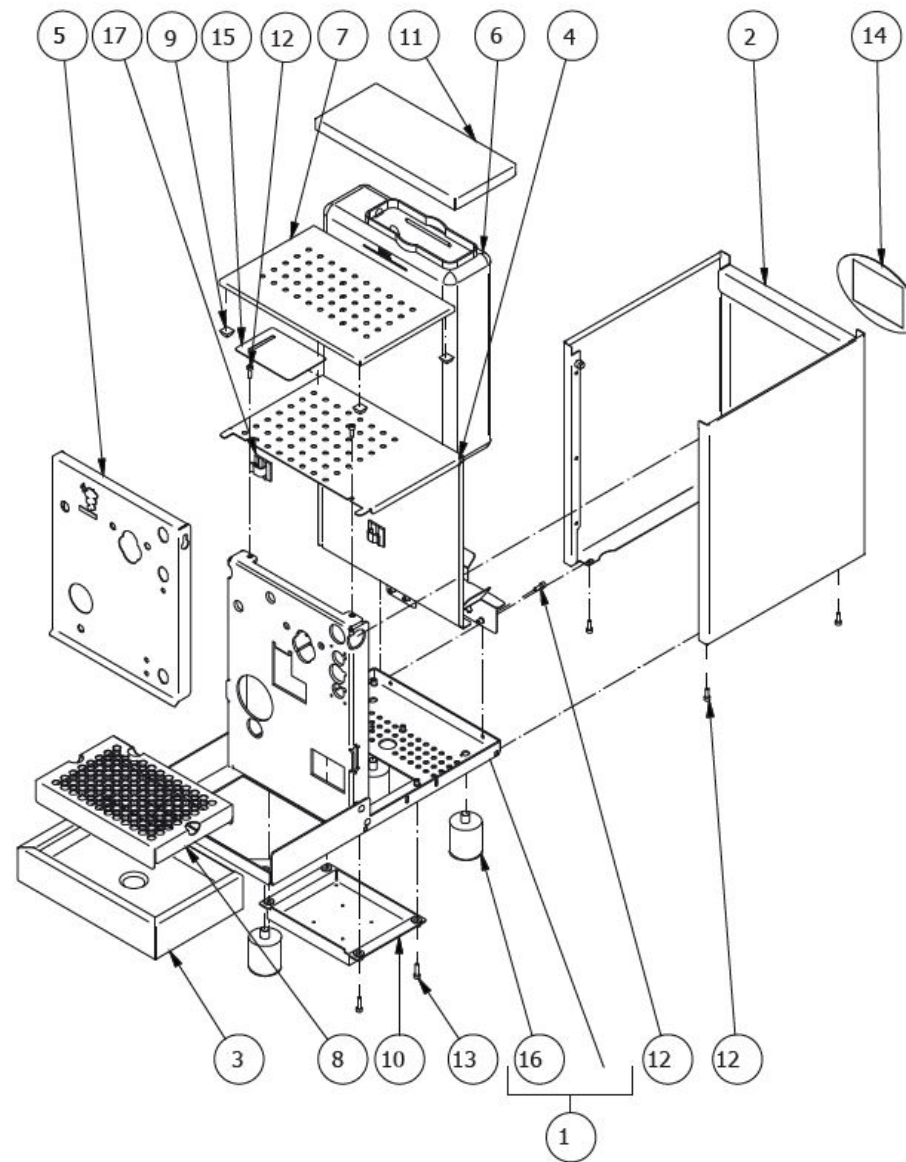


TABLE 2 - (up to 30/10/2012)  
BZ09

POS	CODE	DESCRIPTION
1	5283049	SURPRESSION VALVE BODY
2	5224615TP	GASKET-HOLDER
3	5302017TP	STRAIGHT FITTING M12 H26.5 OT
4	5493001	GASKET D8 X 4 EPT 70SH
5	5224619TP	GASKET-HOLDER
6	5302072	RUBBER-HOLDER FITTING
7	5471505	SPRING
8	5471506.01	CALIBRATED SPRING D1 H26 AISI 302
9	7496018	OR GASKET 105 VITON
10	5194549	HOSE D8X5 L=350 SILICONE
11	7303033	FITTING
12	5194555	D8 X 1.5 L=550 SILICONE HOSE
13	5194562	DRAIN LITTLE HOSE
14	5225411TP	FITTING 1/8"
15	7304502TR	STRAIGHT FITTING 1/8"
16	7452512	VALVE
17	5162296LL	BOILER LOAD HOSE
18	5194589LL	PUMP HOSE L=200
19	7496052	OR GASKET 114
20	7304507TR	UNION ELBOW 1/8"
21	7496085	OR GASKET D7.2X1.9 NBR 70SH
22	5965165	ASSEMBLY SURPRESSION VALVE 12BAR

TABLE 2 - (up to 30/10/2012)  
BZ09

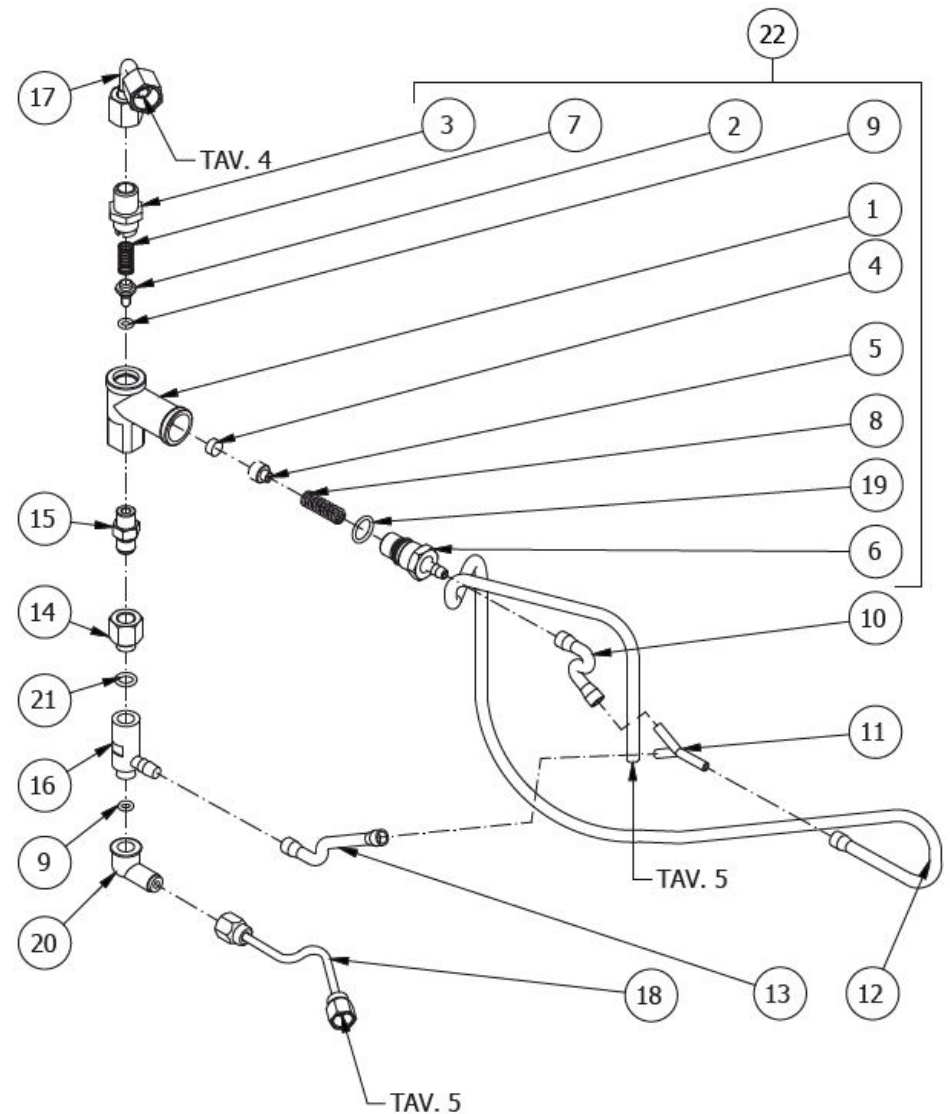


TABLE 2 - (up to 26/02/2014)  
BZ09

POS	CODE	DESCRIPTION
1	5283053TP	SURPRESSION VALVE BODY
2	5224615TP	GASKET-HOLDER
3	5302017TP	STRAIGHT FITTING M12 H26.5 OT
4	5493042	GASKET D.11X3
5	5224620TP	GASKET-HOLDER
6	5302077TP	RUBBER-HOLDER FITTING
7	5471505	SPRING
8	5471539	CALIBRATED SPRING D.1,6
9	7496018	OR GASKET 105 VITON
10	5194549	HOSE D8X5 L=350 SILICONE
11	7303033	FITTING
12	5194591	D6X4 L=550 SILICONE HOSE
13	5194562	DRAIN LITTLE HOSE
14	5225411TP	FITTING 1/8"
15	7304502TR	STRAIGHT FITTING 1/8"
16	7452512	VALVE
17	5162296LL	BOILER LOAD HOSE
18	5194589LL	PUMP HOSE L=200
19	7496052	OR GASKET 114
20	7304507TR	UNION ELBOW 1/8"
21	7496085	OR GASKET D7.2X1.9 NBR 70SH
22	5965212AL	ASSEMBLY SURPRESSION VALVE 12BAR

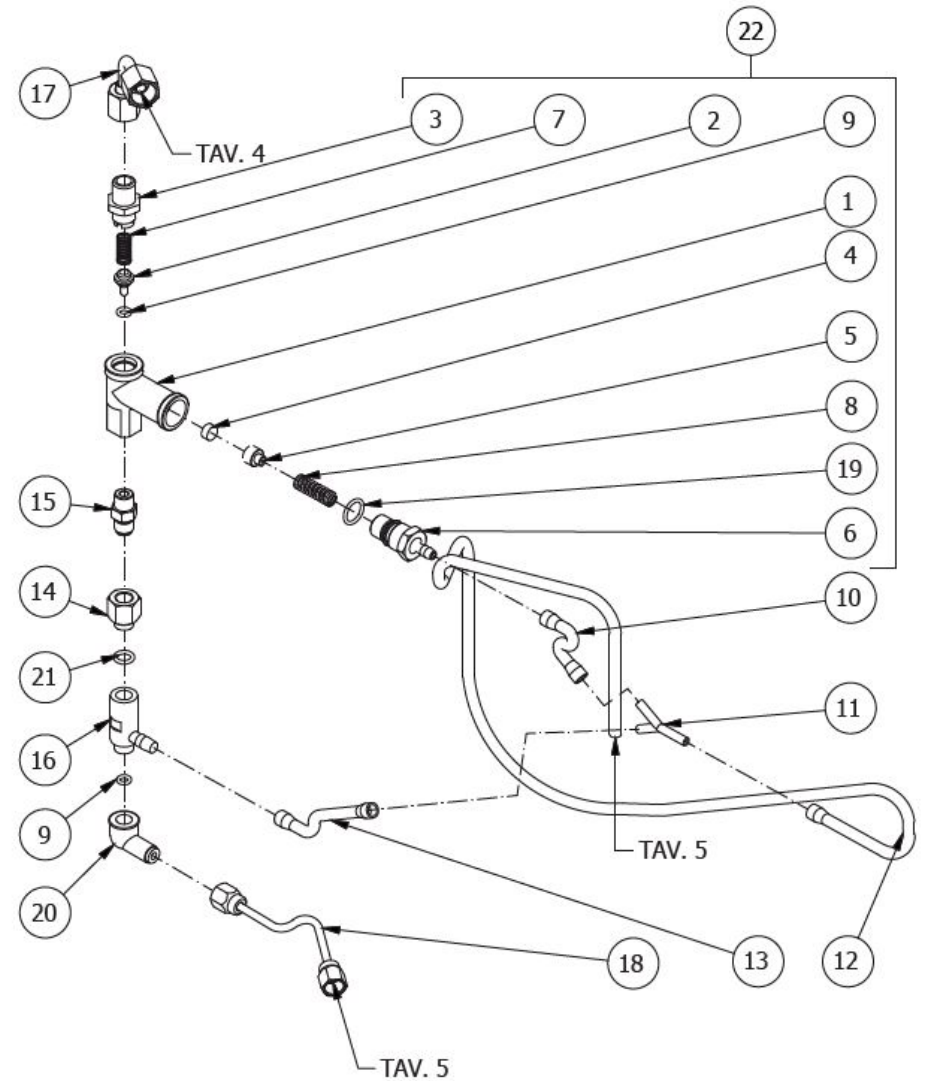
TABLE 2 - (up to 26/02/2014)  
BZ09

TABLE 2 - (from 27/02/2014 )  
BZ09

POS	CODE	DESCRIPTION
1	5283053TP	SURPRESSION VALVE BODY
2	5224615TP	GASKET-HOLDER
3	5302017TP	STRAIGHT FITTING M12 H26.5 OT
4	5493042	GASKET D.11X3
5	5224620TP	GASKET-HOLDER
6	5302077TP	RUBBER-HOLDER FITTING
7	5471505	SPRING
8	5471539	CALIBRATED SPRING D.1,6
9	7496018	OR GASKET 105 VITON
10	5194562	DRAIN LITTLE HOSE
11	7303033	FITTING
12	5194591	D6X4 L=550 SILICONE HOSE
13	5194610	HOSE 6X4 L=250 SILICONE
14	5225411TP	FITTING 1/8"
15	7304502TR	STRAIGHT FITTING 1/8"
16	7452512	VALVE
17	5162296LL	BOILER LOAD HOSE
19	7496052	OR GASKET 114
20	7303034TR	UNION ELBOW 1/8"
20	7304507TR	UNION ELBOW 1/8"
21	7496085	OR GASKET D7.2X1.9 NBR 70SH
22	5965212.01AL	ASSEMBLY SURPRESSION VALVE 12BAR
23	7303006	RUBBER-HOLDER FITTING
24	5471019	INOX WIRE FILER D8,5X5 AISI304

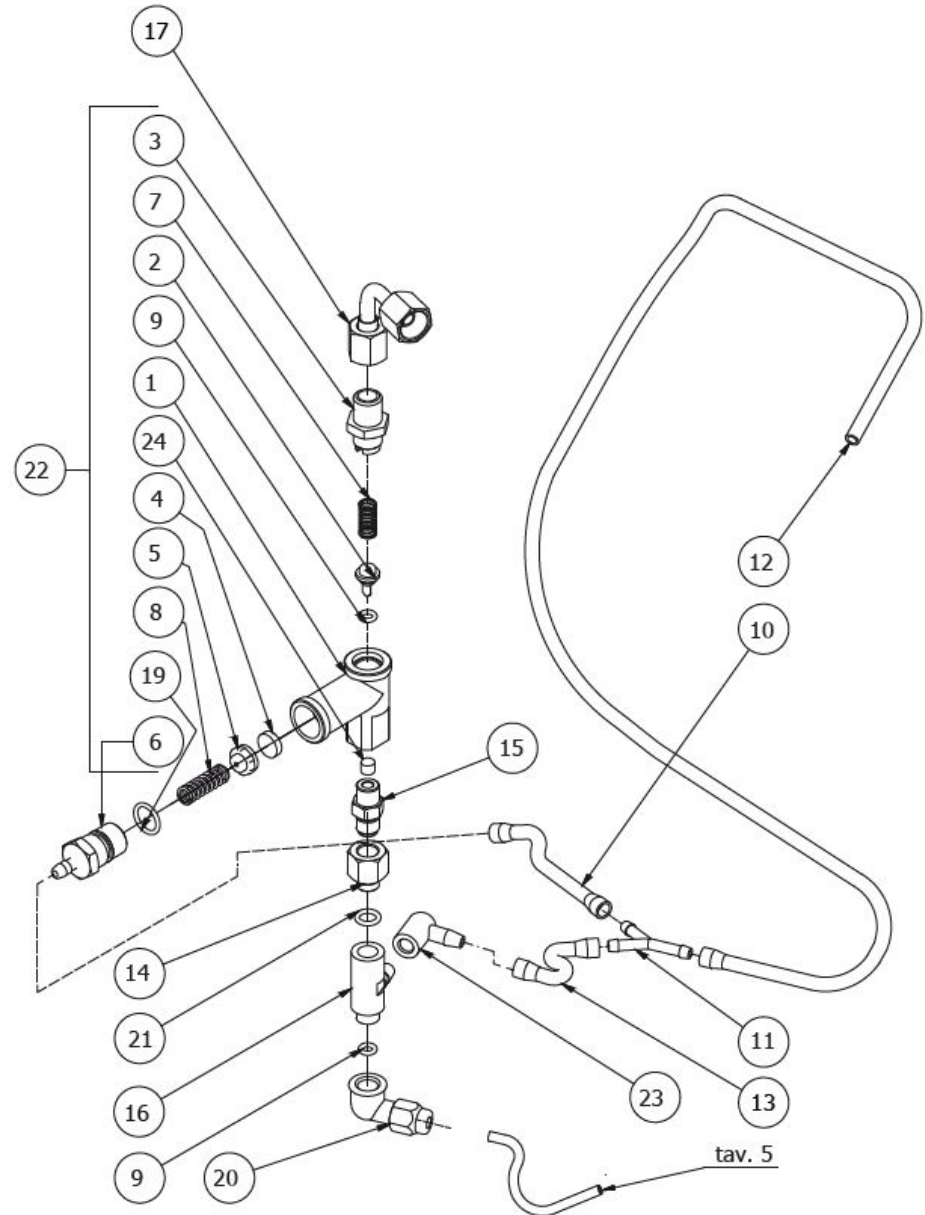
TABLE 2 - (from 27/02/2014 )  
BZ09

TABLE 3 - (up to 28/01/2014)  
BZ09

POS	CODE	DESCRIPTION
1	7305013	TERMINAL 2 HOLES
2	7496083	OR GASKET D4.5X1.5 NBR 70
3	7371003	INSULATING
4	7493013	INSULATING
5	5283046TW	DELIVERY GROUP BODY
6	5964085AL	ASSEMBLY TAP
7	5283047TW	TAP BODY OT
8	5221826CM	NUT 3/8"
9	5494004	GASKET D12 X 6 PTFE GRAPHITIZED
10	5261801	WASHER D11
11	5260204DL	SHAFT D12X47
12	5496042	GASKET D11X4X4 EPT 70 (C6)
13	5224603TP	GASKET-HOLDER
14	5225610	ARTICULATION M8 INOX
15	5222823CM	RING NUT 3/8"
16	7371511.01	LEVER KNOB
17	5471513	SPRING
18	7479975	ASSEMBLY STEAM HOSE TERMINAL 2 HOLES
19	5190501	COMPLETE CUP
20	5225410TP	FITTING M14XM13 H26
21	7816001	SCREW TCEI M5X12 UNI5931 A2
22	7493016	GASKET H 9,3 NBR 75SH
23	5285501TP	SHOWER-HOLDER D57
24	7816014	SCREW M8X20 UNI5931 A2
25	5221863CM	CAP NUT M8 CHROMED
26	5280502TW	COUPLING RING OT CHROMED
27	7304502TR	STRAIGHT FITTING 1/8"
28	7817001	SCREW TPS M5X16 A2
29	5470501	SHOWER D57 AISI 304
30	7496072	OR GASKET 121

TABLE 3 - (up to 28/01/2014)  
BZ09

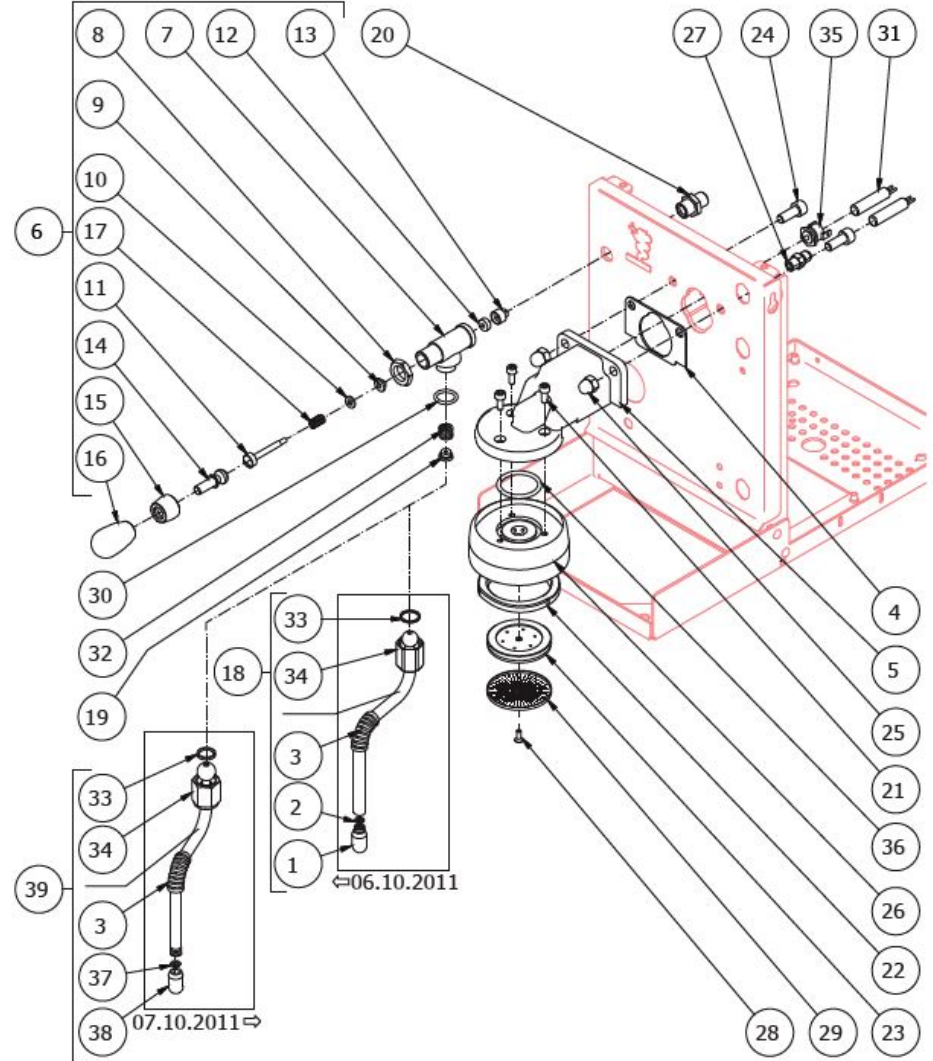


TABLE 3 - (up to 28/01/2014)  
BZ09

POS	CODE	DESCRIPTION
31	5963097.01	ASSEMBLY HEATING ELEMENT 110V
31	5963098.01	ASSEMBLY HEATING ELEMENT 220/240V
32	5471532	SPRING
33	7496073	OR GASKET 115 EP856
34	5221872TW	NUT 3/8"
35	7634808	THERMIC SAFETY DEVICE 250V 95°C AUTOMATIC
36	7496004	OR GASKET 139
37	7496084	GASKET
38	7305014	TERMINAL 2 HOLES
39	7479990TW	ASSEMBLY STEAM HOSE TERMINAL 2 HOLES

TABLE 3 - (up to 28/01/2014)  
BZ09

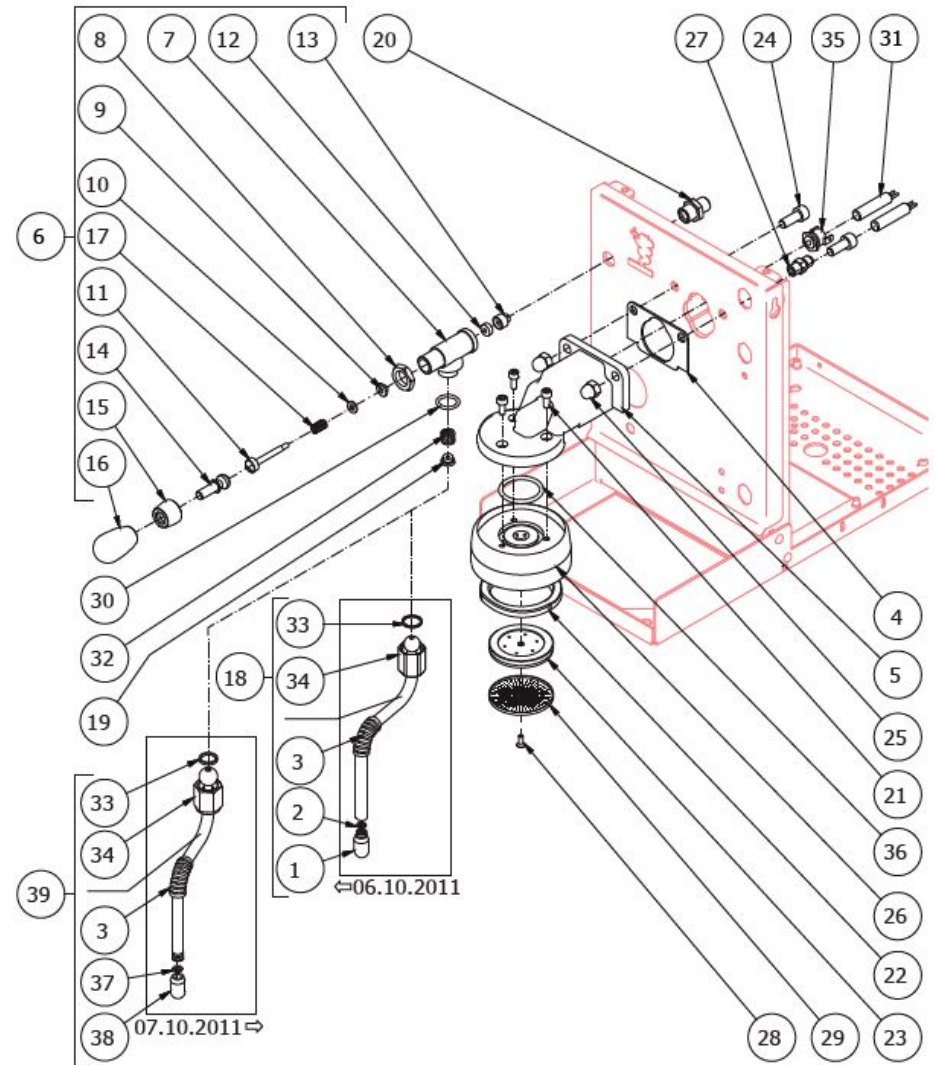


TABLE 3 - (up to 08/06/2017)  
BZ09

POS	CODE	DESCRIPTION
1	7496052	OR GASKET 114
2	5225416TP	FITTING M14X1 WHIT OR
3	7371003	INSULATING
4	7493013	INSULATING
5	5283046TW	DELIVERY GROUP BODY
6	5964085.01AL	ASSEMBLY TAP WITH OR
7	5283055TW	TAP BODY OT FOR OR
8	5221826CM	NUT 3/8
9	5494004	GASKET D12 X 6 PTFE GRAPHITIZED
10	5261801	WASHER D11
11	5260204DL	SHAFT D12X47
12	5496042	GASKET D11X4X4 EPT 70 (C6)
13	5224603TP	GASKET-HOLDER
14	5225610	ARTICULATION M8 INOX
15	5222823CM	RING NUT 3/8
16	7371511.01	LEVER KNOB
17	5471513	SPRING
19	5190501	COMPLETE CUP
21	7816001	SCREW TCEI M5X12 UNI5931 A2
22	7496097	OR GASKET 55X8 NBR
23	5285501TP	SHOWER-HOLDER D57
24	7816014	SCREW M8X20 UNI5931 A2
25	5221863CM	CAP NUT M8 CHROMED
26	5280502TW	COUPLING RING OT CHROMED
27	7304502TR	STRAIGHT FITTING 1/8
28	7817001	SCREW TPS M5X16 A2
29	5470501	SHOWER D57 AISI 304
30	7496072	OR GASKET 121
31	5963097.01	ASSEMBLY HEATING ELEMENT 110V
31	5963098.01	ASSEMBLY HEATING ELEMENT 220/240V

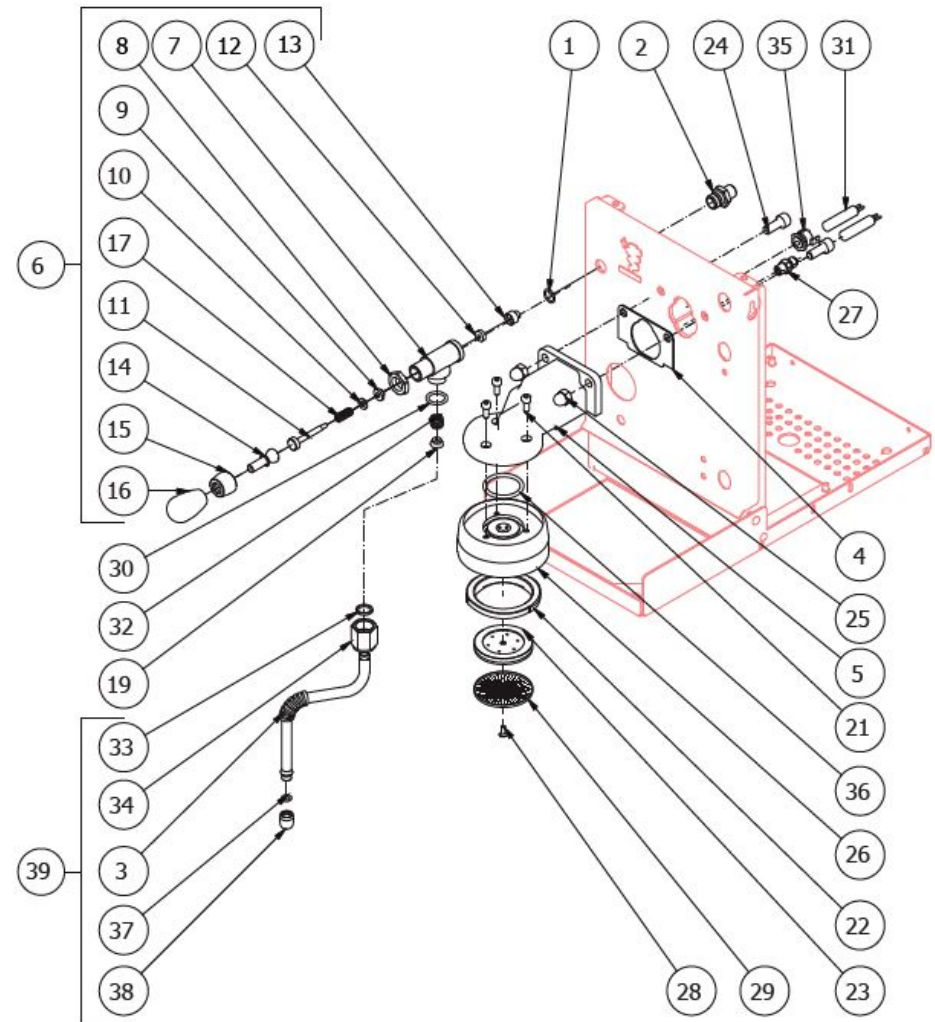
TABLE 3 - (up to 08/06/2017)  
BZ09

TABLE 3 - (up to 08/06/2017)  
BZ09

POS	CODE	DESCRIPTION
32	5471532	SPRING
33	5494017	OR GASKET 115 EP856
34	5221872TW	NUT 3/8
35	7634808	THERMIC SAFETY DEVICE 250V 95°C AUTOMATIC
36	7496004	OR GASKET 139
37	7496084	GASKET
38	7305014	TERMINAL 2 HOLES
39	7479990.01TW	ASSEMBLY STEAM HOSE TERMINAL 2 HOLES

TABLE 3 - (up to 08/06/2017)  
BZ09

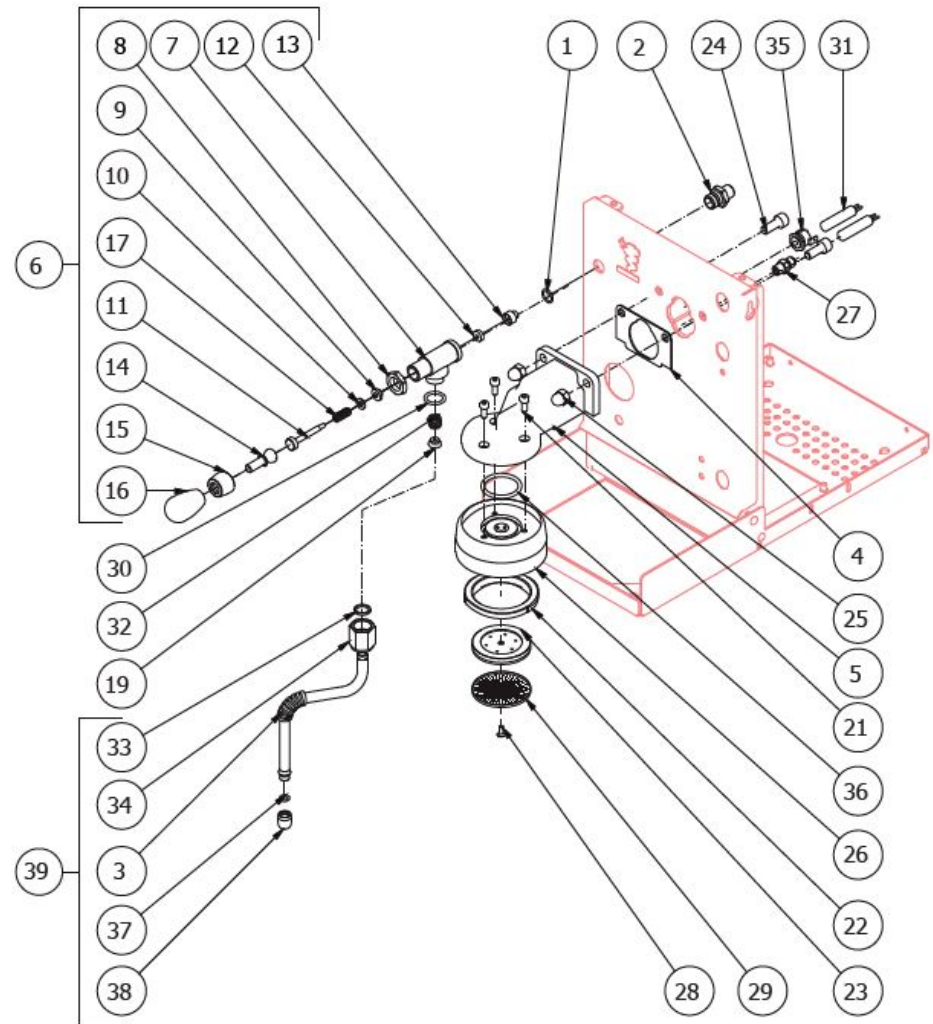


TABLE 3 - (from 09/06/2017 )  
BZ09

POS	CODE	DESCRIPTION
1	7496052	OR GASKET 114
2	5225416TP	FITTING M14X1 WHIT OR
3	7371004	INSULATING
4	7493013	INSULATING
5	5283046TW	DELIVERY GROUP BODY
6	5964085.01AL	ASSEMBLY TAP WITH OR
7	5283055TW	TAP BODY OT FOR OR
8	5221826CM	NUT 3/8"
9	5494004	GASKET D12 X 6 PTFE GRAPHITIZED
10	5261801	WASHER D11
11	5260204DL	SHAFT D12X47
12	5496042	GASKET D11X4X4 EPT 70 (C6)
13	5224603TP	GASKET-HOLDER
14	5225610	ARTICULATION M8 INOX
15	5222823CM	RING NUT 3/8
16	7371511.01	LEVER KNOB
17	5471513	SPRING
19	5190501	COMPLETE CUP
21	7816001	SCREW TCEI M5X12 UNI5931 A2
22	7496097	OR GASKET 55X8 NBR
23	5285501TP	SHOWER-HOLDER D57
24	7816014	SCREW M8X20 UNI5931 A2
25	5221863CM	CAP NUT M8 CHROMED
26	5280502TW	COUPLING RING OT CHROMED
27	7304502TR	STRAIGHT FITTING 1/8
28	7817001	SCREW TPS M5X16 A2
29	5470501	SHOWER D57 AISI 304
30	7496072	OR GASKET 121
31	5963097.01	ASSEMBLY HEATING ELEMENT 110V
31	5963098.01	ASSEMBLY HEATING ELEMENT 220/240V

TABLE 3 - (from 09/06/2017 )  
BZ09

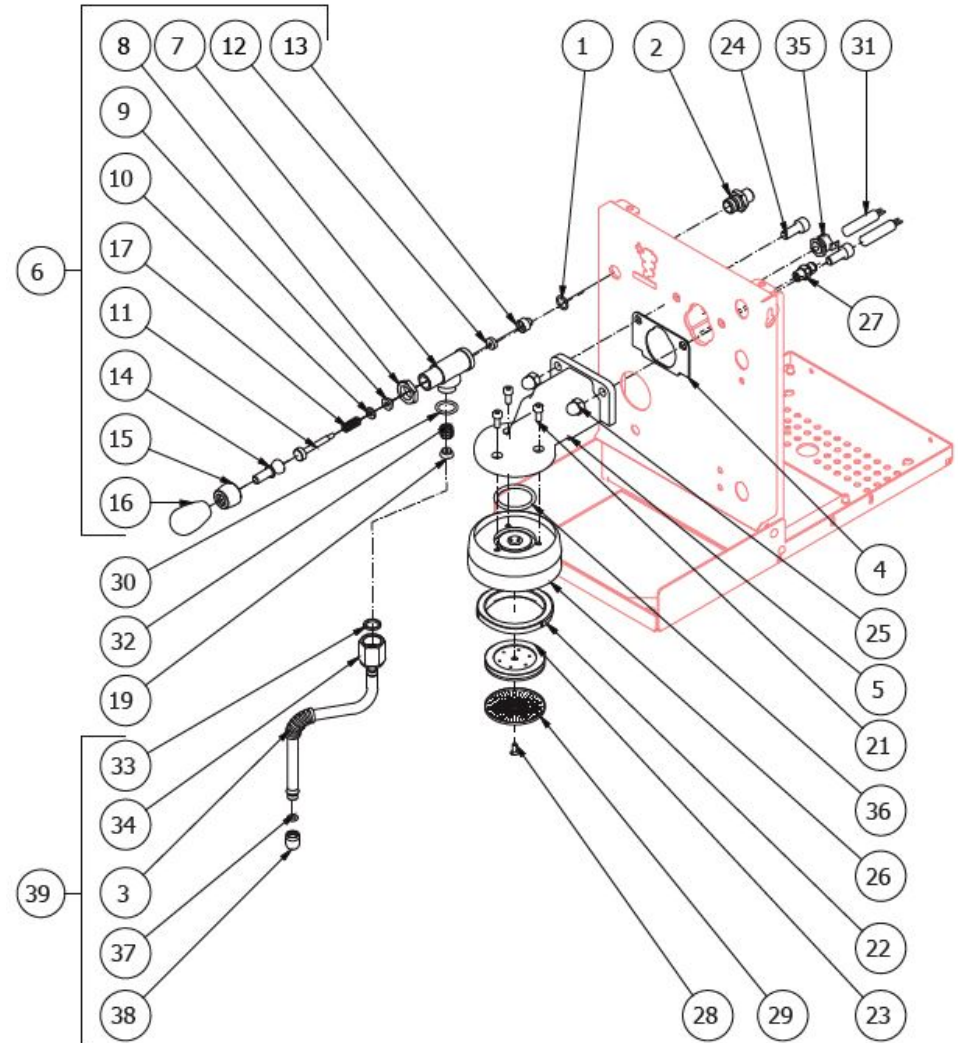


TABLE 3 - (from 09/06/2017 )  
BZ09

POS	CODE	DESCRIPTION
32	5471532	SPRING
33	5494017	OR GASKET 115 EP856
34	5221872TW	NUT 3/8"
35	7634808	THERMIC SAFETY DEVICE 250V 95°C AUTOMATIC
36	7496004	OR GASKET 139
37	7496095	GASKET
38	7305019	TERMINAL 2 HOLES
39	7479990.02TW	ASSEMBLY STEAM HOSE TERMINAL 2 HOLES

TABLE 3 - (from 09/06/2017 )  
BZ09

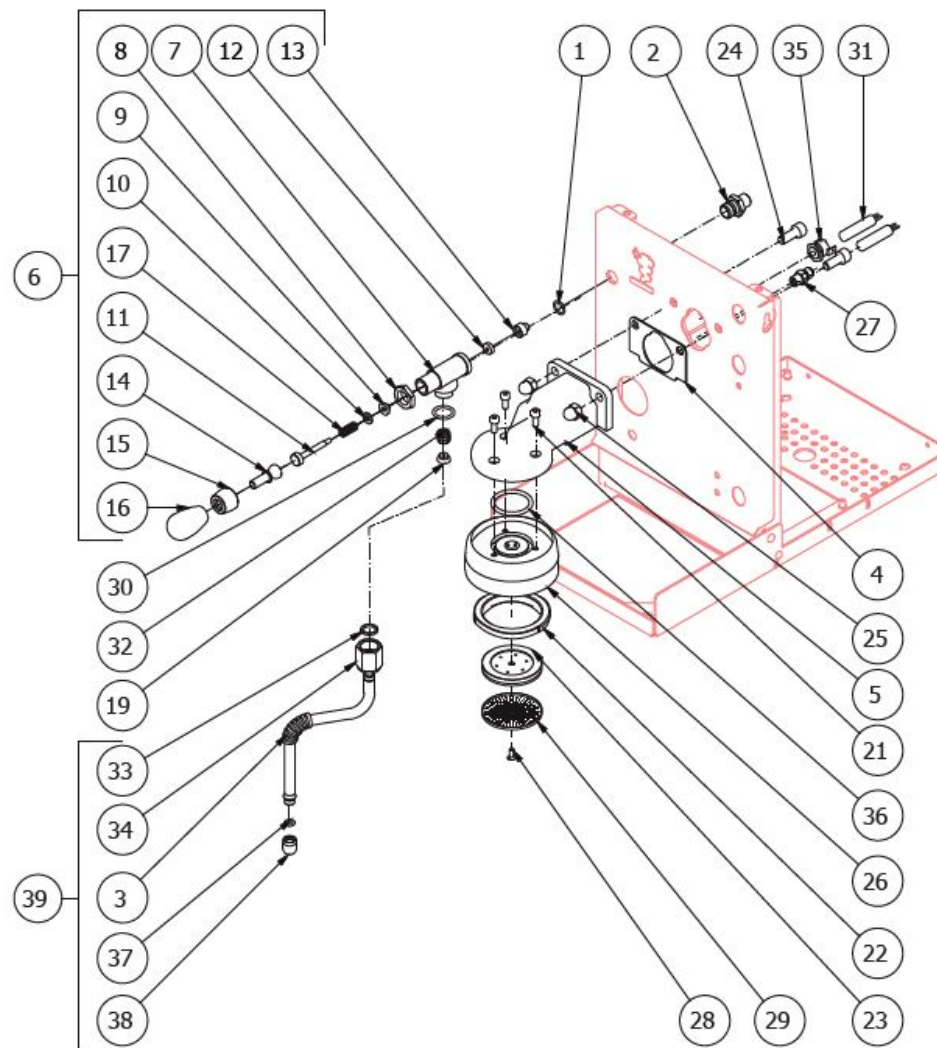


TABLE 4  
BZ09

POS	CODE	DESCRIPTION
1	5037831.01LL	SQUARE FOR BOILER SUPPORT
2	5162296LL	BOILER LOAD HOSE
3	5162297LL	STEAM TAP HOSE
4	5162305LL	GROUP-SOLENOID VALVE HOSE (from 01.01.12)
5	5162313LL	BOILER-GROUP SOLENOID VALVE HOSE
6	5194560LL	SOLENOID VALVE DRAIN HOSE
6	5194559LL	SURPRESSION VALVE HOSE
7	5221840	CAP NUT M13X1
8	5221844	NUT 1/8"
9	5227002	SCREW M8 X 6 OT
10	5283018CM	DRAIN FITTING FOR SURPRESSION VALVE 1/8•G CHROMED
11	5301504TR	UNION ELBOW 1/8"
12	5302014	FITTING M13X1/8"
13	5302067	FITTING 1/8"
14	5320519BL	BOILER
15	5329013LL	ASSEMBLY PROBE-HOLDER
16	5721133TP	HEATING ELEMENT 110V
16	5722309TP	HEATING ELEMENT 220/240V
17	7304502TR	STRAIGHT FITTING 1/8"
18	7304509TR	FITTING
19	7400902	BOYLER-MANOMETER CAPILLARY
20	7432523	PRESSURE GAUGE D40 16BAR
21	7701117	SOLENOID VALVE 3 WAY 115V ODE
21	7702316	SOLENOID VALVE 3 WAY 230V ODE
21	7702411	SOLENOID VALVE 3 WAY 240V ODE
21	7701112	SOLENOID VALVE 3 WAY 115V PARKER
21	7702311	SOLENOID VALVE 3 WAY 230V PARKER
21	7702410	SOLENOID VALVE 3 WAY 240V PARKER
22	7815001	WASHER D10 UNI 6592 A2
23	7816002	SCREW TCEI M4X12

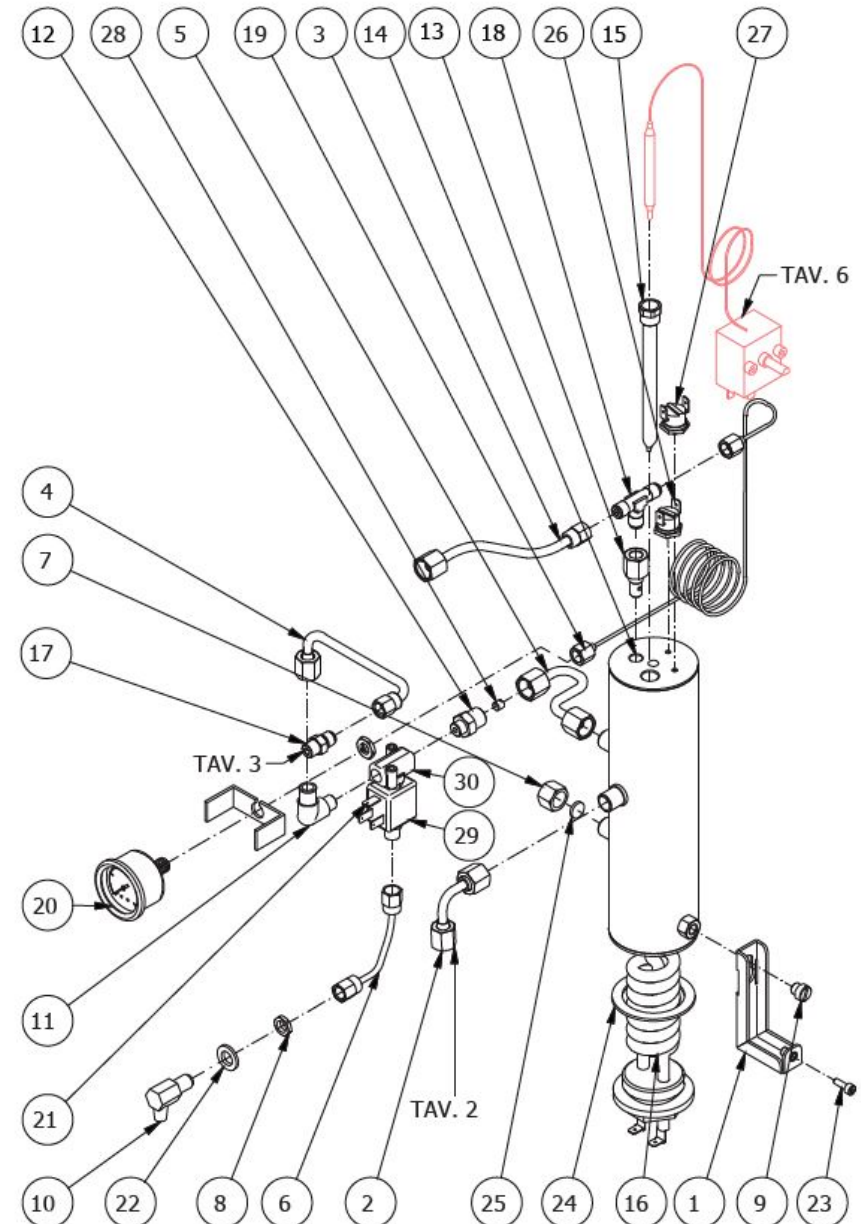
TABLE 4  
BZ09

TABLE 4  
BZ09

POS	CODE	DESCRIPTION
24	5494016	GASKET D52X42X2
25	5492020	GASKET D11.5 X 2
26	7634814	THERMIC SAFETY DEVICE 250V 162°C MANUAL
27	7634817	THERMIC SAFETY DEVICE 250V 120°C AUTOMATIC
28	5223005TP	JET M6 X 6 HOLE D1.2 OT
29	7630332	SOLENOID VALVE COIL 115V PARKER
29	7630331	SOLENOID VALVE COIL 230V PARKER
29	7630330	SOLENOID VALVE COIL 240V PARKER
30	7703014	SOLENOID VALVE WITHOUT COIL PARKER

TABLE 4  
BZ09

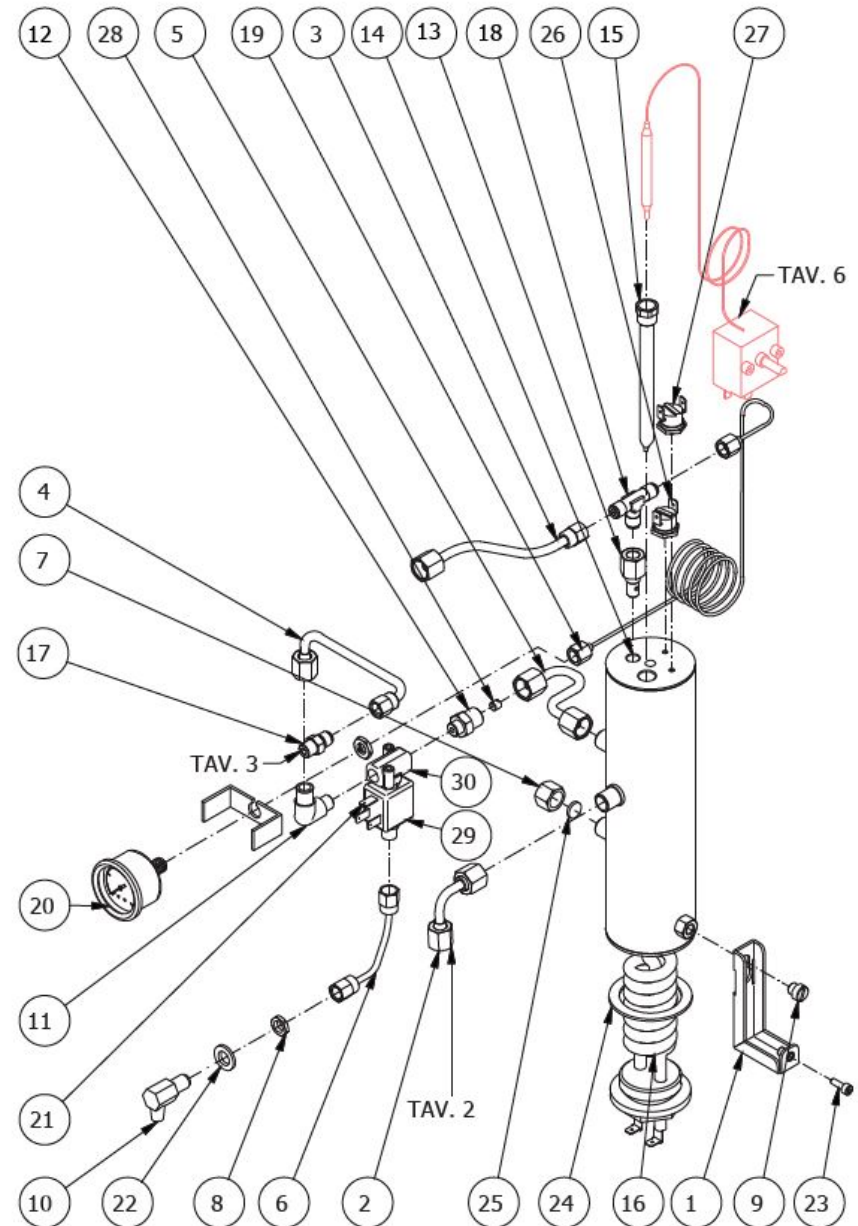


TABLE 5  
BZ09

POS	CODE	DESCRIPTION
1	5194648	PUMP-SOLENOID VALVE HOSE (up to 14.12.15)
1	5194639	PUMP-SOLENOID VALVE HOSE (from 13.12.15)
2	7611516	CLAMP
3	7303006	RUBBER-HOLDER FITTING
4	5194582	HOSE 8X5 L=750 SILICONE
5	7731022	VIBRATION PUMP EX5 220V 60HZ WITH OR
5	7731020	VIBRATION PUMP EX5 230V WITH OR
5	7731018	VIBRATION PUMP EX5 100V C/OR
5	7731019	VIBRATION PUMP EX5 120V WITH OR
5	7731021	VIBRATION PUMP EX5 240V WITH OR
6	7470602	VIBRATION-DAMPING
7	7303042TR	UNION
8	7805009	PLAIN WASHER D5 X 11 X 1
9	7816004	SCREW TCEI M4 X 16
10	7374015	FILTER
11	5194555R	HOSE WITH FILTER
12	7634816	THERMIC SAFETY DEVICE 100°C AUTOMATIC
13	5225418TP	FITTING 1/8"
14	7496018	OR GASKET 105 VITON

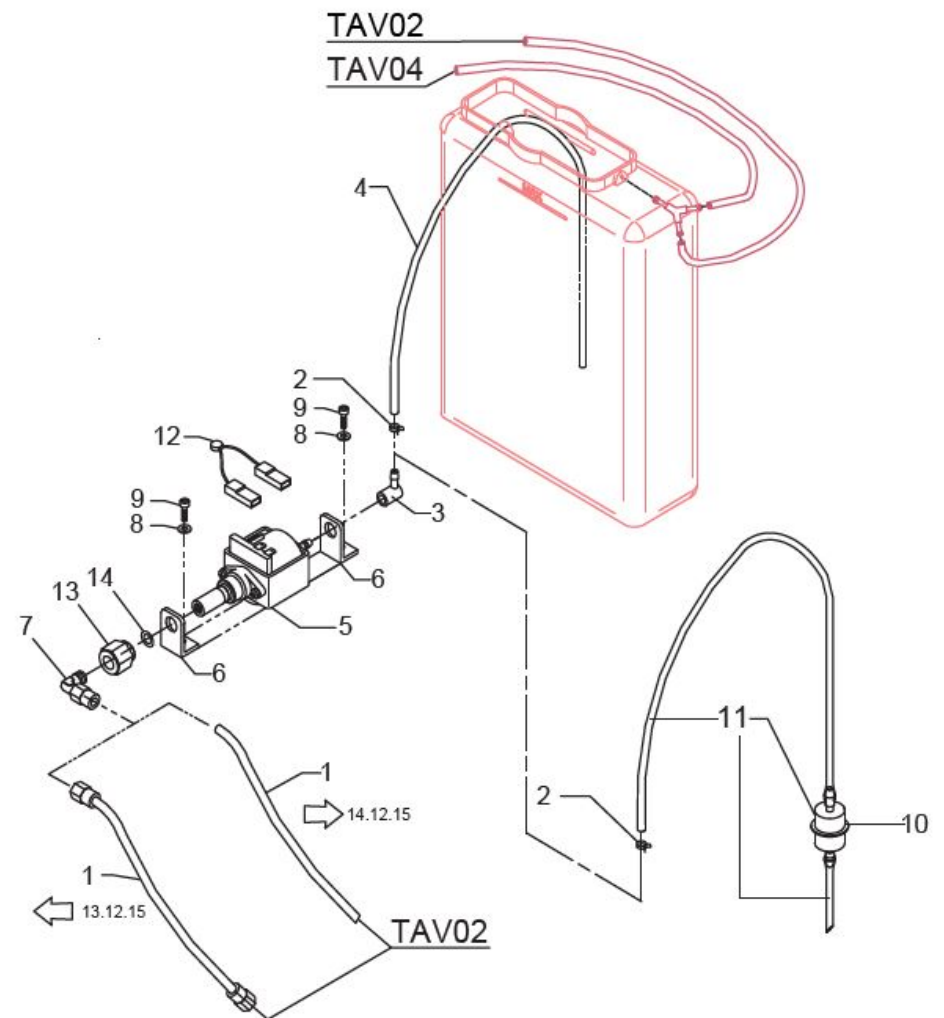
TABLE 5  
BZ09

TABLE 6 - (up to 30/11/2015)  
BZ09

POS	CODE	DESCRIPTION
1	5074453LW	GROUP FRONTAL PM
2	7816002	SCREW TCEI M4X12
3	5037832LL	SQUARE FOR THERMOSTAT SUPPORT
4	7633604.01	ORANGE LAMP 110/240V
5	7633606.01	RED LAMP
6	7633602.01	GREEN LAMP 110/240V
7	7614006	NUT PG13,5
8	7614007	CABLE-PRESS PG13,5
9	7633331	BIPOLAR SWITCH
10	7434011	THERMOSTAT
11	7434012	KNOB
12	7434013	RING NUT
13	7826212	SCREW TCI M4X6 UNI 6107 OT
14	7551001	CABLE WITH USA PLUG 125V 15A
14	7551003	CABLE WITH USA PLUG 250V 20A
14	7554001	CABLE WITH ENGLISH PLUG
14	7555001	CABLE WITH SCHUKO PLUG
14	7552001	CABLE WITH AUSTRALIAN PLUG
14	7555003	CABLE WITH SWITZERLAND PLUG
15	7633907	MICROSWITCH
16	7819911	SCREW TTEI M4X25

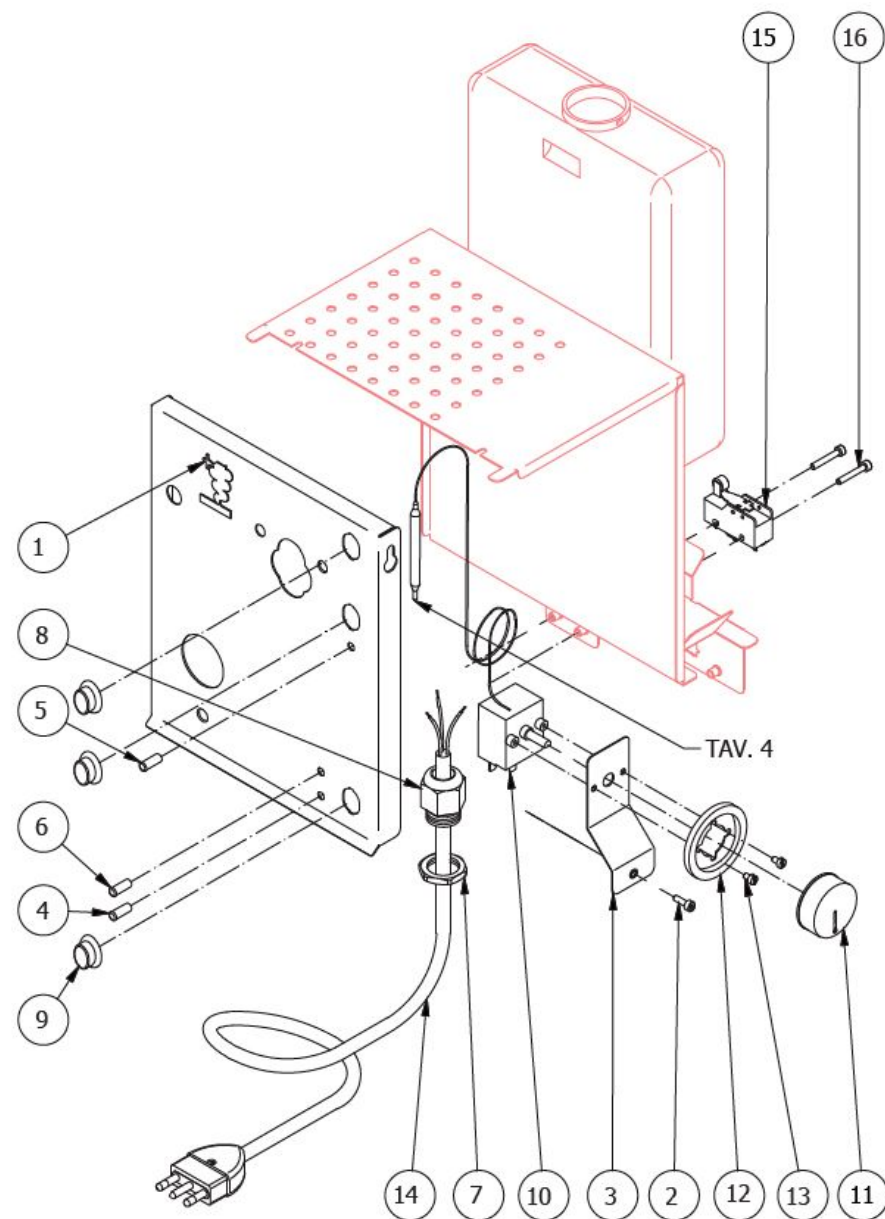
TABLE 6 - (up to 30/11/2015)  
BZ09

TABLE 6 - (from 01/12/2015 )  
BZ09

POS	CODE	DESCRIPTION
1	5074453.01SG	GROUP FRONTAL PM
2	7816002	SCREW TCEI M4X12
3	5037832LL	SQUARE FOR THERMOSTAT SUPPORT
4	7633625	ORANGE LAMP
5	7633626	RED LED
6	7633624	GREEN LAMP
7	7614006	NUT PG13,5
8	7614007	CABLE-PRESS PG13,5
9	7633326	BIPOLAR SWITCH LEVER
10	7434011	THERMOSTAT
11	7434012	KNOB
12	7434013	RING NUT
13	7826212	SCREW TCI M4X6 UNI 6107 OT
14	7551003	CABLE WITH USA PLUG 250V 20A
14	7554001	CABLE WITH ENGLISH PLUG
14	7555001	CABLE WITH SCHUKO PLUG
14	7552001	CABLE WITH AUSTRALIAN PLUG
14	7555003	CABLE WITH SWITZERLAND PLUG
14	7551001	CABLE WITH USA PLUG 125V 15A
15	7633907	MICROSWITCH
16	7819911	SCREW TTEI M4X25
17	7372507	SWTCH PROTECTION PLASTIC

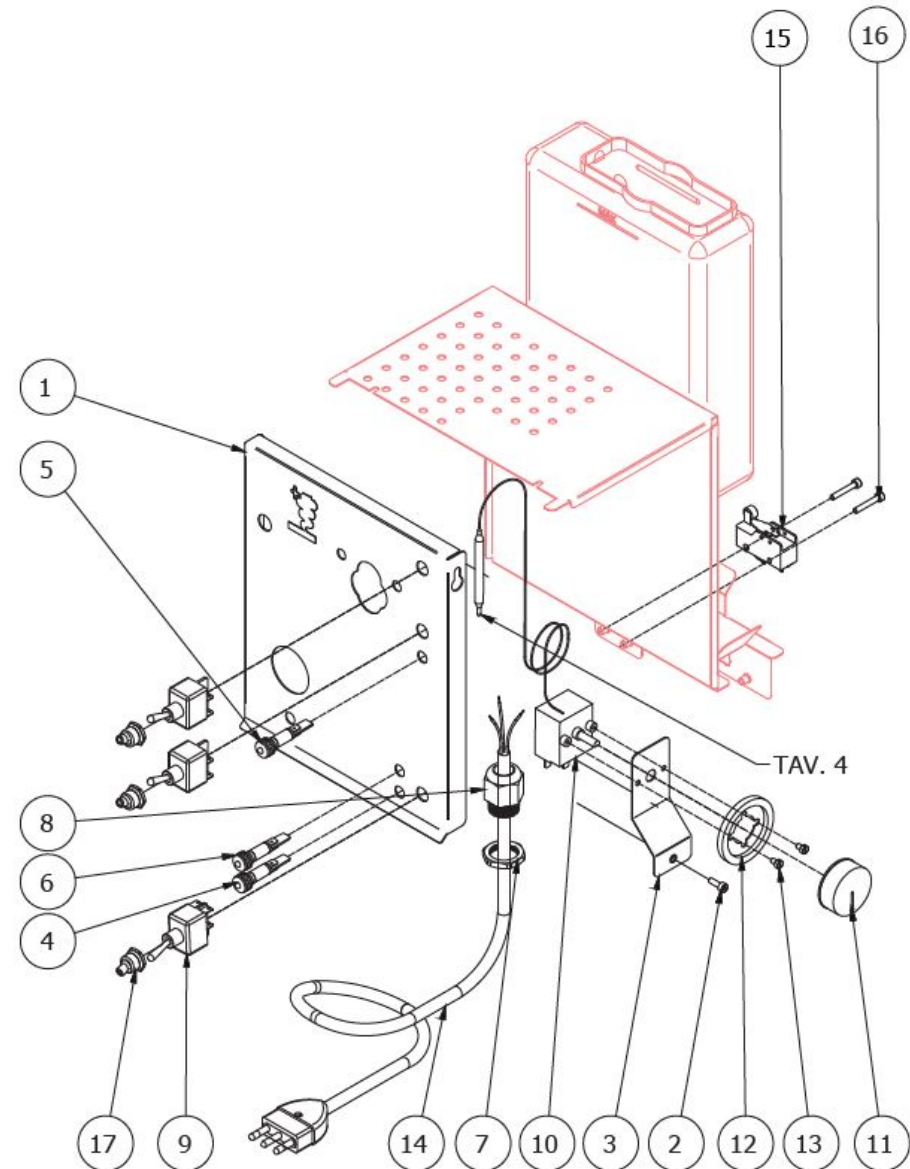
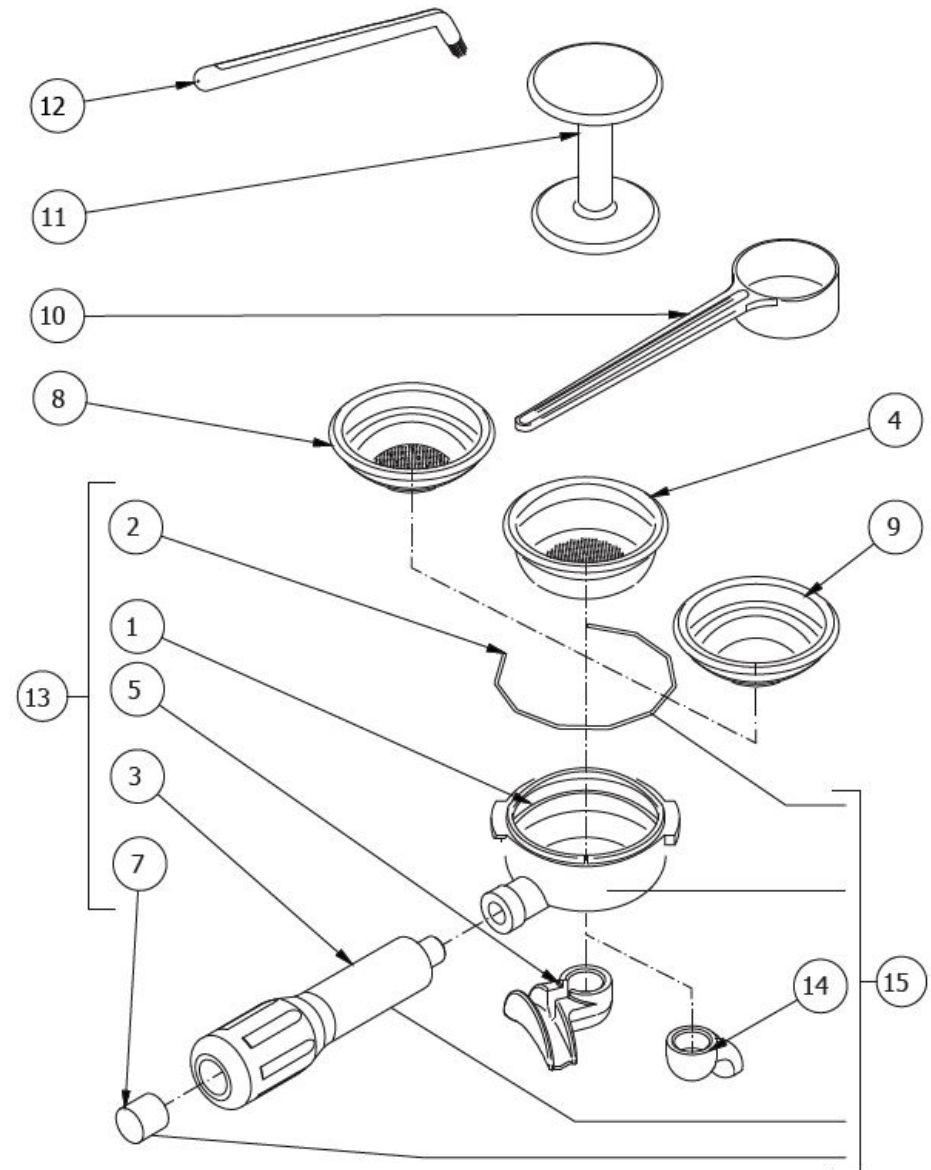
TABLE 6 - (from 01/12/2015 )  
BZ09

TABLE 7  
BZ09

POS	CODE	DESCRIPTION
1	5286016TW	FILTER-HOLDER
2	5471527	FILTER-HOLDER SPRING D1.2 AISI 302
3	7371502	KNOB POLISHED
4	5471035	FILTER 2 CUPS 20 GRAMS AISI 304 WITH RUN CHANNEL
4	5471021.01	FILTER 2 CUPS 16 GRAMS AISI 304 WITH RUN CHANNEL
5	7288501TW	SPOUT 2 WAY SHORT
7	5373915CM	KNOB CHROME CAP
8	5471031.01	FILTER 1 CUP 10 GRAMS WITH RUN CHANNEL
9	5471003	BLIND FILTER
10	5372101	MEASURER
11	5373001	COFFEE-PRESS
12	7990603	CLEANING BRUSH
13	5965604.01R	ASSEMBLY FILTER-HOLDER 2 CUPS
14	7288505TW	SPOUT 1 WAY SHORT
15	5965603.01R	ASSEMBLY FILTER-HOLDER 1 CUP

TABLE 7  
BZ09



G. BEZZERA S.R.L.  
MACCHINE PER CAFFE' ESPRESSO  
Via Luigi Bezzera, 1  
20088 Rosate - Milano - Italy  
Tel. ++39 02 90848102 r.a. - Telefax ++39 02 90870287  
Web: [www.bezzera.com](http://www.bezzera.com)  
e-mail: [admin@bezzera.it](mailto:admin@bezzera.it)