



# ARIA

**COD. 9942075**

**REV. 03 ed.03/26**



**BEZZERA**

**ARIA**

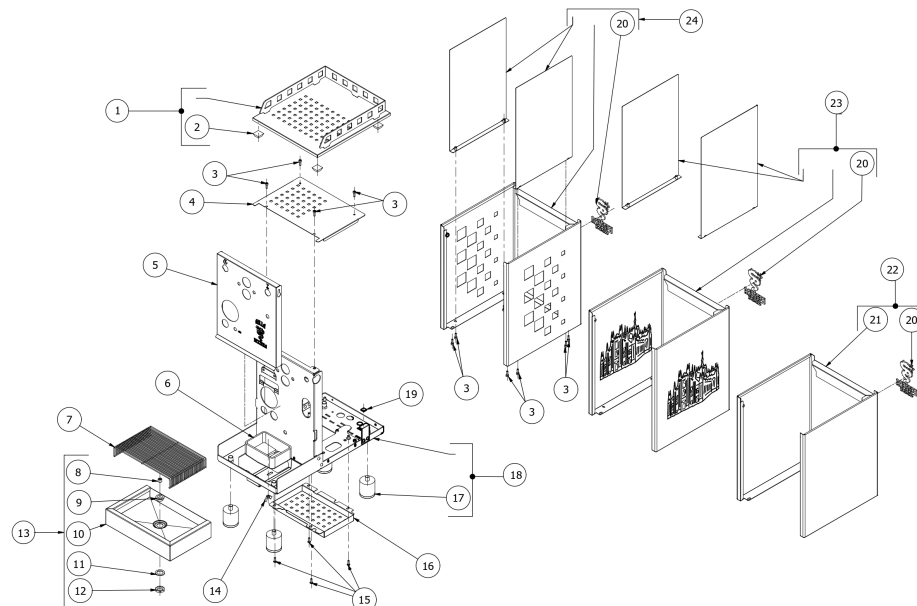
TABLE 1  
ARIA S

| POS | CODE       | DESCRIPTION                         |
|-----|------------|-------------------------------------|
| 1   | 5961841    | ASSY CUPS-HEATER ARIA               |
| 2   | 7474212    | ADHESIVE FEET                       |
| 3   | 7819901    | SCREW TBEI M4X12 ISO 7380 A2 INOX   |
| 4   | 5056357LW  | CUPS-HEATER                         |
| 5   | 5074925SG1 | ARIA FRONTAL GROUP                  |
| 6   | 5373602.01 | DRAIN PAN WITH SCREW M6 NYLON BLACK |
| 7   | 5261018    | WIRED DISCHARGE GRID                |
| 8   | 7823001TP  | HEADLESS SCREW 1/8                  |
| 9   | 5225230NC  | FITTING 3/8" G NICKEL               |
| 10  | 5340543    | WHITE COMPLETE TRAY W/HOLE          |
| 10  | 5340510LL  | COMPLETE TRAY W/HOLE                |
| 10  | 5340544    | RED COMPLETE TRAY W/HOLE            |
| 10  | 5340542    | BLACK COMPLETE TRAY W/HOLE          |
| 11  | 5492022    | GASKET D25 X 17 X 2 ASBESTOS FREE   |
| 12  | 5221826CM  | NUT 3/8                             |
| 13  | 5968138.01 | ASSY TRAY SERIES SMALL WITH/DRAIN   |
| 13  | 5968139.01 | ASSY TRAY SERIES SMALL              |
| 13  | 5968140.01 | SMALL SERIES TRAY ASSY WITH RED     |
| 13  | 5968137.01 | ASSY TRAY SMALL SERIES C/DRAIN      |
| 14  | 7819909    | NUT M6 INOX BUTTERFLY               |
| 15  | 7819901    | SCREW TBEI M4X12 ISO 7380 A2 INOX   |
| 16  | 5053053VN  | BLACK FRAME BASE COVER              |
| 16  | 5053053LW  | FRAME BASE COVER                    |
| 17  | 7474218VN  | FOOT M10 D40X46 MATT BLACK          |
| 17  | 7474218    | FEET M10 D40X46                     |
| 18  | 5964763.01 | ASSY FRAME ARIA CLASSIC VIBR.PUMP   |
| 18  | 5964755.01 | ASSY FRAME VIBRATION PUMP           |
| 19  | 7474221    | SQUARE FOOT                         |
| 20  | 5522523    | BEZZERA LABEL + LOGO BLACK          |
| 21  | 5054202LL1 | GLOSS WHITE BODY WITH COMPASSES     |

**BEZZERA**

**ARIA**

TABLE 1  
ARIA S



**BEZZERA**

**ARIA**

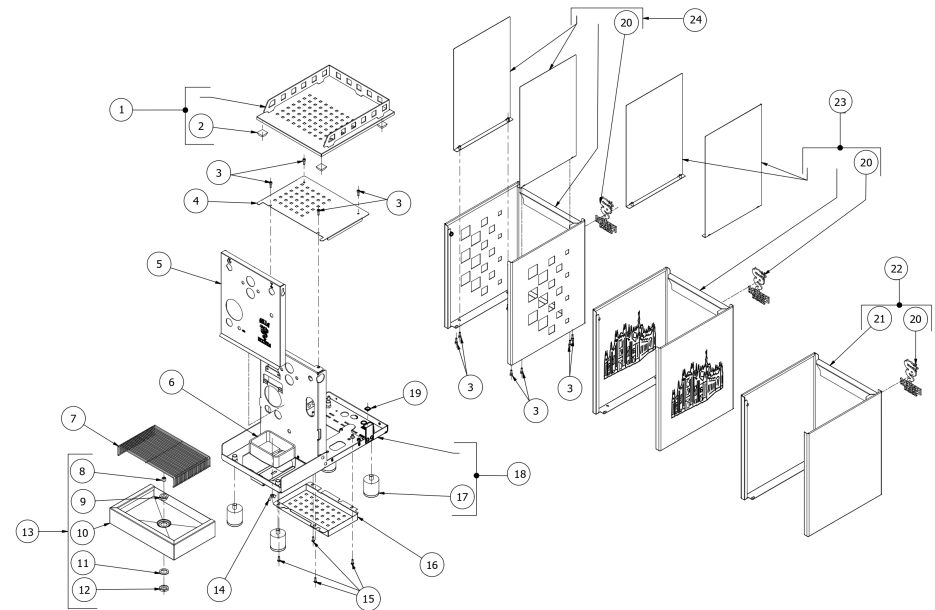
TABLE 1  
ARIA S

| POS | CODE         | DESCRIPTION                              |
|-----|--------------|--|
| 21  | 5054202LL2   | GLOSS RED BODY WITH COMPASSES            |
| 21  | 5071733LL    | BODY STAINLESS STEEL POLISHED            |
| 21  | 5054202LL3   | MATT BLACK BODY WITH COMPASSES           |
| 22  | 5054202LL1R1 | ARIA WHITE BODY W/COMPASS + LOGO         |
| 22  | 5071733LLR1  | MIRROR BODYWORK W/LOGO + COMPASSES       |
| 22  | 5054202LL3R1 | ARIA MATT BLACK BODY W/COMPASSES +       |
| 22  | 5054202LL2R1 | ARIA GLOSS RED BODY W/COMPASSES +        |
| 23  | 5051715LL1R  | BODY WHITE+CATHEDRAL W/COMP. + LOGO      |
| 23  | 5051715LLR   | BODY MATT BLACK+CATHEDRAL W/COMP. + LOGO |
| 23  | 5051715LL2R  | BODY RED+CATHEDRAL W/COMP. + LOGO        |
| 24  | 5051712LL2R  | BODY RED+SQUARES W/COMP.+LOGO            |
| 24  | 5051712LL1R  | BODY WHITE+SQUARES W/COMP.+LOGO          |
| 24  | 5071738LLR   | BODY S/S MIRROR+SQUARES W/COMP.+LOGO     |
| 24  | 5051712LLR   | BODY MATT BLACK+SQUARES W/COMP.+LOGO     |

**BEZZERA**

**ARIA**

TABLE 1  
ARIA S



**BEZZERA**

**ARIA**

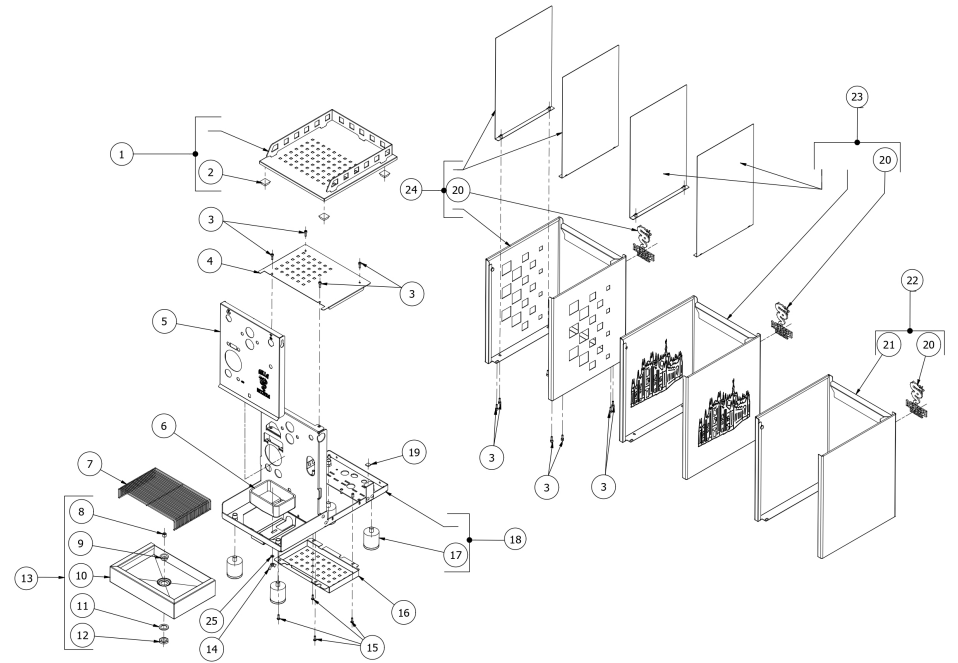
TABLE 1A  
ARIA TOP

| POS | CODE       | DESCRIPTION                         |
|-----|------------|-------------------------------------|
| 1   | 5961841    | ASSY CUPS-HEATER ARIA               |
| 2   | 7474212    | ADHESIVE FEET                       |
| 3   | 7819901    | SCREW TBEI M4X12 ISO 7380 A2 INOX   |
| 4   | 5056357LW  | CUPS-HEATER                         |
| 5   | 5074926SG  | ARIA PID FRONTAL GROUP              |
| 6   | 5373602.01 | DRAIN PAN WITH SCREW M6 NYLON BLACK |
| 7   | 5261018    | WIRED DISCHARGE GRID                |
| 8   | 7823001TP  | HEADLESS SCREW 1/8                  |
| 9   | 5225230NC  | FITTING 3/8"G NICKEL                |
| 10  | 5340544    | RED COMPLETE TRAY W/HOLE            |
| 10  | 5340543    | WHITE COMPLETE TRAY W/HOLE          |
| 10  | 5340542    | BLACK COMPLETE TRAY W/HOLE          |
| 10  | 5340510LL  | COMPLETE TRAY W/HOLE                |
| 11  | 5492022    | GASKET D25 X 17 X 2 ASBESTOS FREE   |
| 12  | 5221826CM  | NUT 3/8                             |
| 13  | 5968138.01 | ASSY TRAY SERIES SMALL WITH/DRAIN   |
| 13  | 5968139.01 | ASSY TRAY SERIES SMALL              |
| 13  | 5968140.01 | SMALL SERIES TRAY ASSY WITH RED     |
| 13  | 5968137.01 | ASSY TRAY SMALL SERIES C/DRAIN      |
| 14  | 7819909    | NUT M6 INOX BUTTERFLY               |
| 15  | 7819901    | SCREW TBEI M4X12 ISO 7380 A2 INOX   |
| 16  | 5053053LW  | FRAME BASE COVER                    |
| 17  | 7474218VN  | FOOT M10 D40X46 MATT BLACK          |
| 17  | 7474218    | FEET M10 D40X46                     |
| 18  | 5964748.01 | ASSY FRAME ARIA PID                 |
| 18  | 5964761.01 | ASSY FRAME ARIA CLASSIC PID         |
| 19  | 7474221    | SQUARE FOOT                         |
| 20  | 5522523    | BEZZERA LABEL + LOGO BLACK          |
| 21  | 5071733LL  | BODY STAINLESS STEEL POLISHED       |
| 21  | 5054202LL2 | GLOSS RED BODY WITH COMPASSES       |

**BEZZERA**

**ARIA**

TABLE 1A  
ARIA TOP



**BEZZERA**

**ARIA**

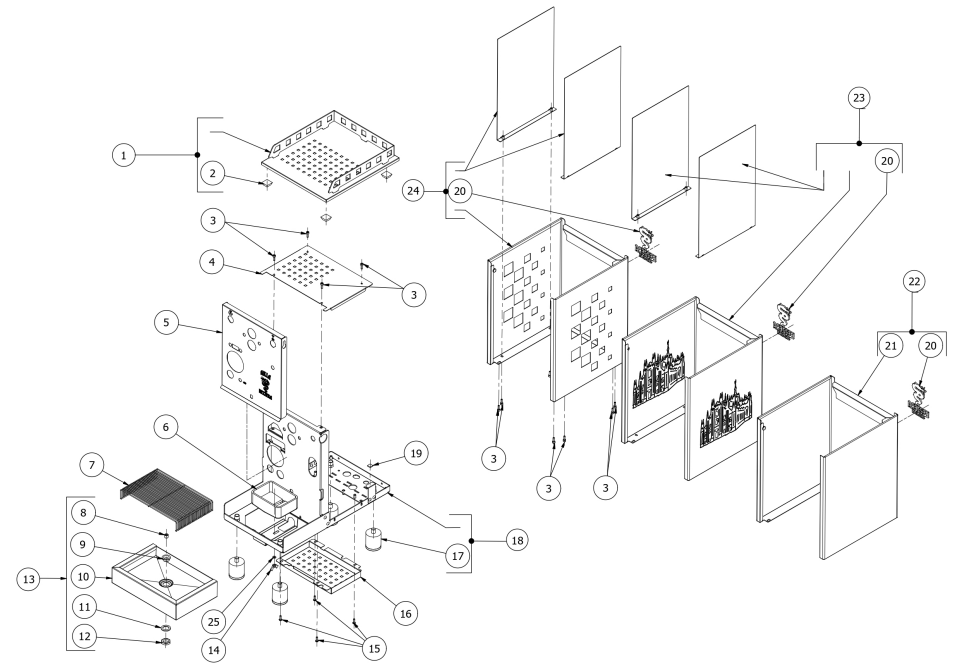
TABLE 1A  
ARIA TOP

| POS | CODE         | DESCRIPTION                              |
|-----|--------------|--|
| 21  | 5054202LL1   | GLOSS WHITE BODY WITH COMPASSES          |
| 21  | 5054202LL3   | MATT BLACK BODY WITH COMPASSES           |
| 22  | 5071733LLR1  | ARIA STAINLESS STEEL BODY                |
| 22  | 5054202LL1R1 | ARIA WHITE BODY W/COMPASS + LOGO         |
| 22  | 5054202LL3R1 | ARIA MATT BLACK BODY W/COMPASSES +       |
| 22  | 5054202LL2R1 | ARIA GLOSS RED BODY W/COMPASSES +        |
| 23  | 5051715LLR   | BODY MATT BLACK+CATHEDRAL W/COMP. + LOGO |
| 23  | 5051715LL2R  | BODY RED+CATHEDRAL W/COMP. + LOGO        |
| 23  | 5051715LL1R  | BODY WHITE+CATHEDRAL W/COMP. + LOGO      |
| 24  | 5071738LLR   | BODY S/S MIRROR+SQUARES W/COMP.+LOGO     |
| 24  | 5051712LLR   | BODY MATT BLACK+SQUARES W/COMP.+LOGO     |
| 24  | 5051712LL2R  | BODY RED+SQUARES W/COMP.+LOGO            |
| 24  | 5051712LL1R  | BODY WHITE+SQUARES W/COMP.+LOGO          |
| 25  | 7492004      | GASKET D8.5 X 4.2 X 1.5                  |

**BEZZERA**

**ARIA**

TABLE 1A  
ARIA TOP



**BEZZERA**

**ARIA**

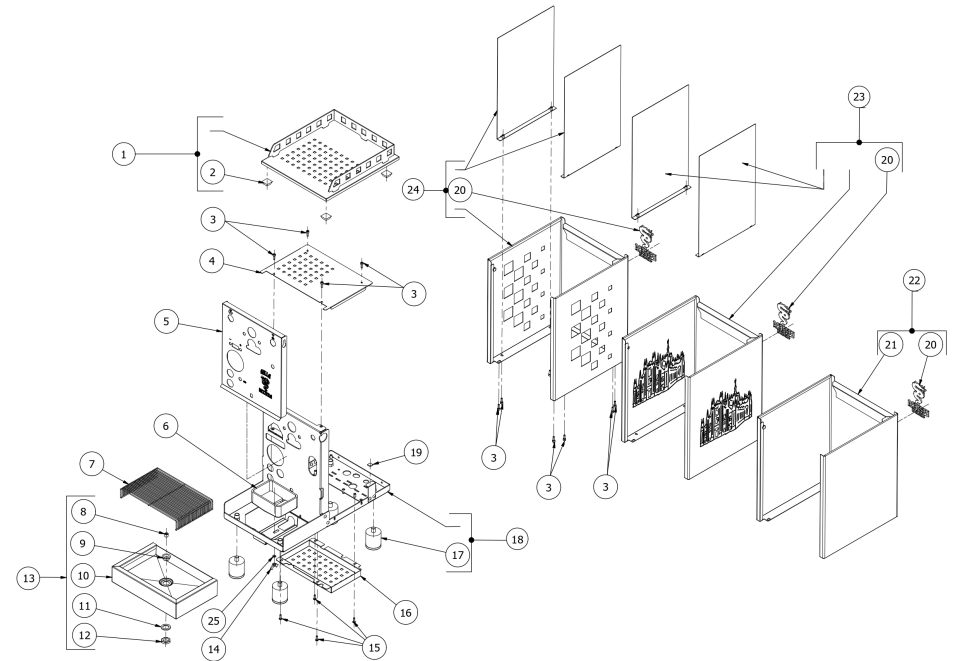
TABLE 1B  
ARIA FAST HEATING

| POS | CODE       | DESCRIPTION                         |
|-----|------------|-------------------------------------|
| 1   | 5961841    | ASSY CUPS-HEATER ARIA               |
| 2   | 7474212    | ADHESIVE FEET                       |
| 3   | 7819901    | SCREW TBEI M4X12 ISO 7380 A2 INOX   |
| 4   | 5056357LW  | CUPS-HEATER                         |
| 5   | 5074945SG  | ARIA PID FAST-HEATING FRONTAL GROUP |
| 6   | 5373602.01 | DRAIN PAN WITH SCREW M6 NYLON BLACK |
| 7   | 5261018    | WIRED DISCHARGE GRID                |
| 8   | 7823001TP  | HEADLESS SCREW 1/8                  |
| 9   | 5225230NC  | FITTING 3/8" G NICKEL               |
| 10  | 5340544    | RED COMPLETE TRAY W/HOLE            |
| 10  | 5340543    | WHITE COMPLETE TRAY W/HOLE          |
| 10  | 5340542    | BLACK COMPLETE TRAY W/HOLE          |
| 10  | 5340510LL  | COMPLETE TRAY W/HOLE                |
| 11  | 5492022    | GASKET D25 X 17 X 2 ASBESTOS FREE   |
| 12  | 5221826CM  | NUT 3/8                             |
| 13  | 5968138.01 | ASSY TRAY SERIES SMALL WITH/DRAIN   |
| 13  | 5968139.01 | ASSY TRAY SERIES SMALL              |
| 13  | 5968140.01 | SMALL SERIES TRAY ASSY WITH RED     |
| 13  | 5968137.01 | ASSY TRAY SMALL SERIES C/DRAIN      |
| 14  | 7819909    | NUT M6 INOX BUTTERFLY               |
| 15  | 7819901    | SCREW TBEI M4X12 ISO 7380 A2 INOX   |
| 16  | 5053053LW  | FRAME BASE COVER                    |
| 17  | 7474218VN  | FOOT M10 D40X46 MATT BLACK          |
| 18  | 5964748.02 | ASSY FRAME ARIA PID FAST HEATING    |
| 19  | 7474221    | SQUARE FOOT                         |
| 20  | 5522523    | BEZZERA LABEL + LOGO BLACK          |
| 21  | 5071733LL  | BODY STAINLESS STEEL POLISHED       |
| 21  | 5054202LL2 | GLOSS RED BODY WITH COMPASSES       |
| 21  | 5054202LL1 | GLOSS WHITE BODY WITH COMPASSES     |
| 21  | 5054202LL3 | MATT BLACK BODY WITH COMPASSES      |

**BEZZERA**

**ARIA**

TABLE 1B  
ARIA FAST HEATING



**BEZZERA**

**ARIA**

TABLE 1B  
ARIA FAST HEATING

| POS | CODE         | DESCRIPTION                              |
|-----|--------------|--|
| 22  | 5071733LLR1  | ARIA STAINLESS STEEL BODY                |
| 22  | 5054202LL1R1 | ARIA WHITE BODY W/COMPASS + LOGO         |
| 22  | 5054202LL3R1 | ARIA MATT BLACK BODY W/COMPASSES +       |
| 22  | 5054202LL2R1 | ARIA GLOSS RED BODY W/COMPASSES +        |
| 23  | 5051715LLR   | BODY MATT BLACK+CATHEDRAL W/COMP. + LOGO |
| 23  | 5051715LL2R  | BODY RED+CATHEDRAL W/COMP. + LOGO        |
| 23  | 5051715LL1R  | BODY WHITE+CATHEDRAL W/COMP. + LOGO      |
| 24  | 5051712LL1R  | BODY WHITE+SQUARES W/COMP.+LOGO          |
| 24  | 5071738LLR   | BODY S/S MIRROR+SQUARES W/COMP.+LOGO     |
| 24  | 5051712LL2R  | BODY RED+SQUARES W/COMP.+LOGO            |
| 24  | 5051712LLR   | BODY MATT BLACK+SQUARES W/COMP.+LOGO     |
| 25  | 7492004      | GASKET D8.5 X 4.2 X 1.5                  |

**BEZZERA**

**ARIA**

TABLE 1B  
ARIA FAST HEATING

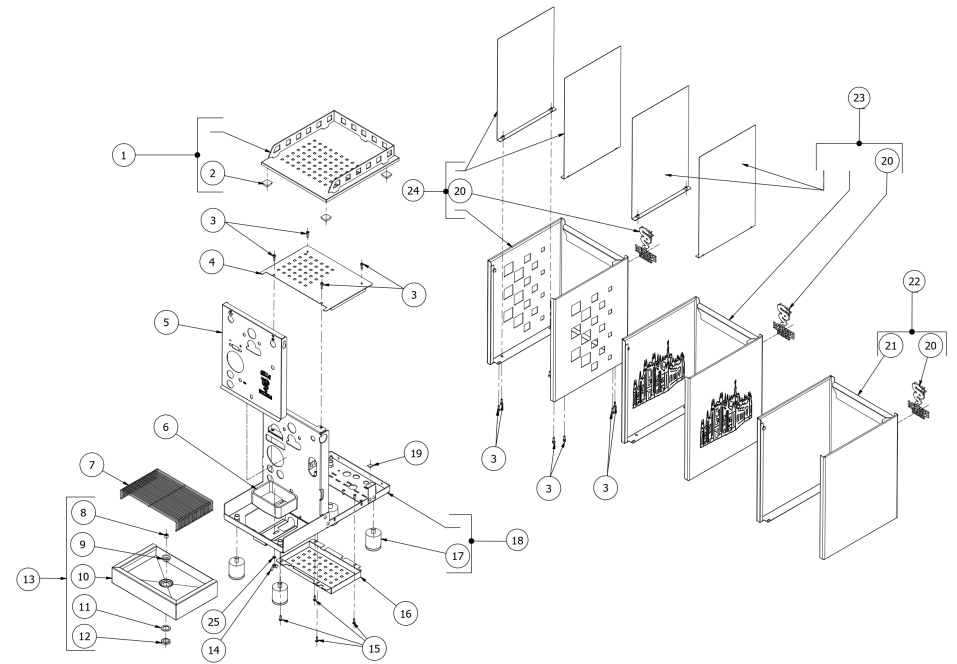


TABLE 2  
ARIA S

| POS | CODE         | DESCRIPTION                       |
|-----|--------------|-----------------------------------|
| 1   | 7400909      | PUMP CAPILLARY                    |
| 2   | 5194639      | TUBE PTFE 4X200                   |
| 3   | 7304539TR    | FITTING                           |
| 4   | 7304545TR    | CROSS FITTING 1/8                 |
| 5   | 7701123.01   | EV.2 WAY 110V 25BAR SMALL COIL    |
| 5   | 7702415.01   | EV.2 WAY 240V 25BAR SMALL COIL    |
| 5   | 7702322.01   | EV.2WAY OLAB 220/230V 25BAR SMALL |
| 6   | 5965212.01AL | ASSY OPV ADJUST. 9/12 BAR         |
| 7   | 5223003      | JET M6 X 6 HOLE D0.8 OT           |
| 8   | 5162502.01LL | LOAD EXCHANGER PIPE               |
| 9   | 5162501.01LL | LOAD BOILER PIPE                  |
| 10  | 5301504AL    | ELBOW FITTING M12X1/8             |
| 11  | 7432524.03   | PRESSURE GAUCE D60 DOUBLE SCALE   |
| 12  | 5194591      | SILICON PIPE D6X4 L=550           |
| 13  | 7304507TR    | UNION ELBOW 1/8                   |

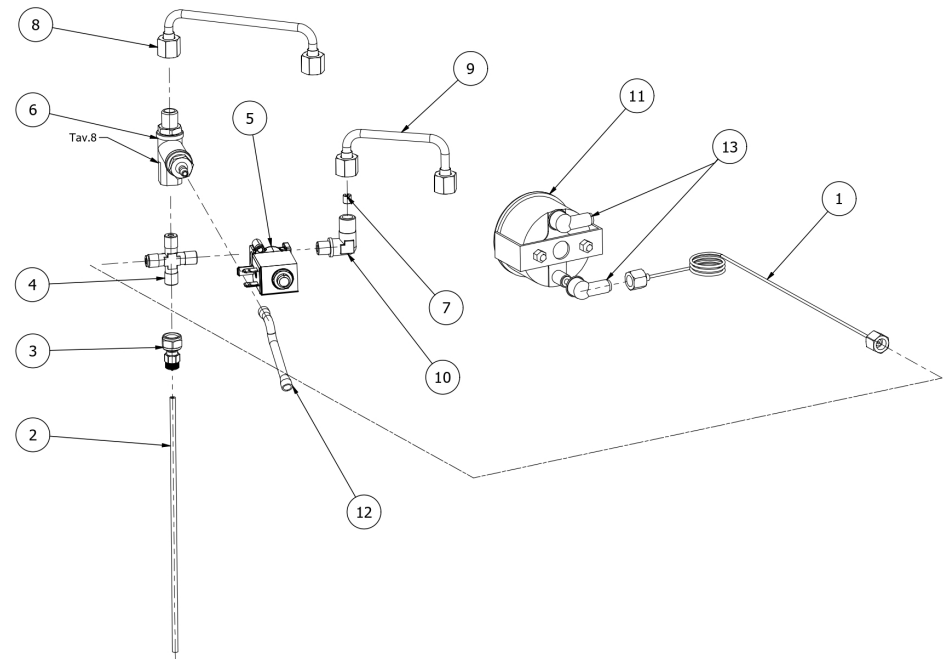
TABLE 2  
ARIA S

TABLE 2A  
ARIA TOP

| POS | CODE         | DESCRIPTION                       |
|-----|--------------|-----------------------------------|
| 1   | 7400909      | PUMP CAPILLARY                    |
| 2   | 5194690      | PTFE PIPE 6X440                   |
| 3   | 7304538TR    | FITTING                           |
| 4   | 7304545TR    | CROSS FITTING 1/8                 |
| 5   | 7702415.01   | EV.2 WAY 240V 25BAR SMALL COIL    |
| 5   | 7701123.01   | EV.2 WAY 110V 25BAR SMALL COIL    |
| 5   | 7702322.01   | EV.2WAY OLAB 220/230V 25BAR SMALL |
| 6   | 5965212.01AL | ASSY OPV ADJUST. 9/12 BAR         |
| 7   | 5223003      | JET M6 X 6 HOLE D0.8 OT           |
| 8   | 5162502.01LL | LOAD EXCHANGER PIPE               |
| 9   | 5162501.01LL | LOAD BOILER PIPE                  |
| 10  | 5301504AL    | ELBOW FITTING M12X1/8             |
| 11  | 7432524.03   | PRESSURE GAUCE D60 DOUBLE SCALE   |
| 12  | 5194547      | SILICON PIPE 8X5X150              |
| 13  | 7304507TR    | UNION ELBOW 1/8                   |

TABLE 2A  
ARIA TOP

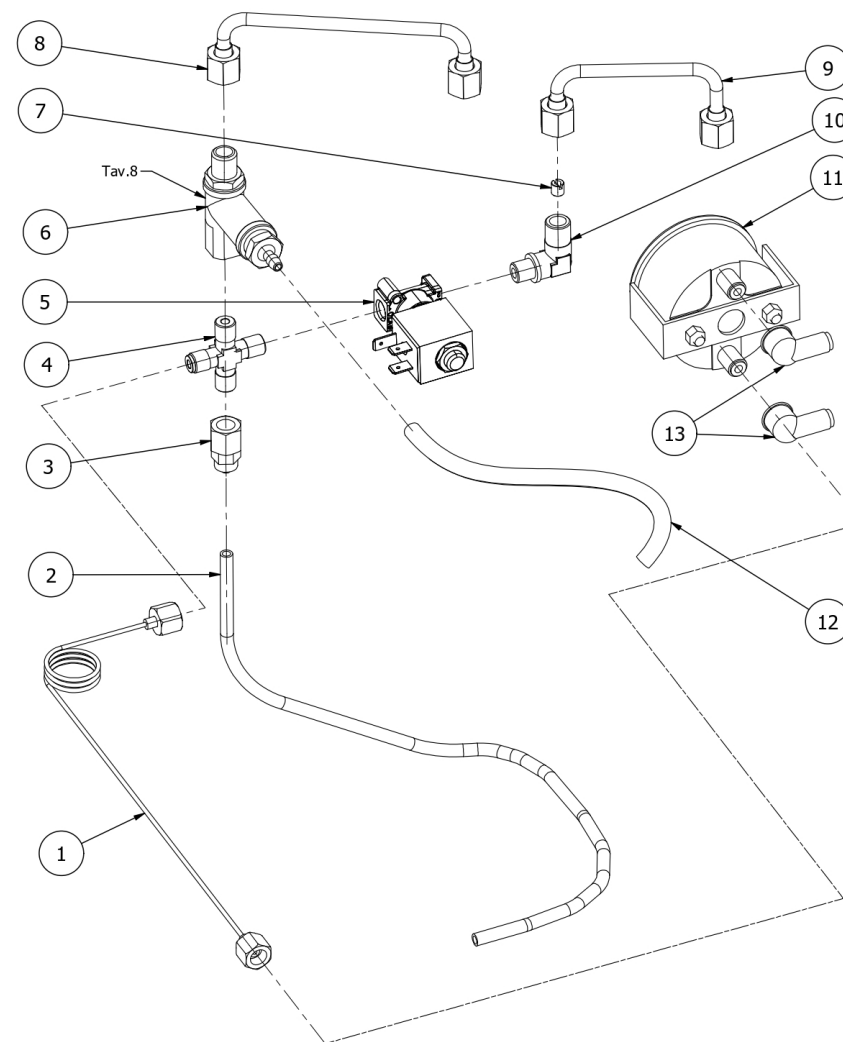


TABLE 2B  
ARIA FAST HEATING

| POS | CODE         | DESCRIPTION                       |
|-----|--------------|-----------------------------------|
| 1   | 7400909      | PUMP CAPILLARY                    |
| 2   | 5194690      | PTFE PIPE 6X440                   |
| 3   | 7304538TR    | FITTING                           |
| 4   | 7304545TR    | CROSS FITTING 1/8                 |
| 5   | 7702322.01   | EV.2WAY OLAB 220/230V 25BAR SMALL |
| 5   | 7701123.01   | EV.2 WAY 110V 25BAR SMALL COIL    |
| 6   | 5965212.01AL | ASSY OPV ADJUST. 9/12 BAR         |
| 7   | 5223003      | JET M6 X 6 HOLE D0.8 OT           |
| 8   | 5162502.02LL | LOAD EXCHANGER PIPE               |
| 9   | 5162501.01LL | LOAD BOILER PIPE                  |
| 10  | 5301504AL    | ELBOW FITTING M12X1/8             |
| 11  | 7432524.03   | PRESSURE GAUCE D60 DOUBLE SCALE   |
| 12  | 5194547      | SILICON PIPE 8X5X150              |
| 13  | 7304507TR    | UNION ELBOW 1/8                   |

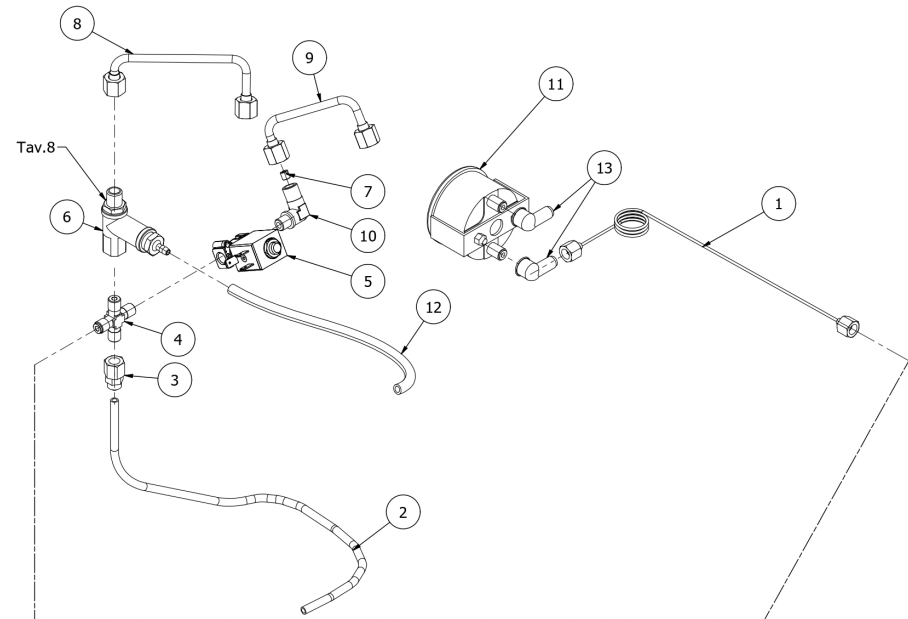
TABLE 2B  
ARIA FAST HEATING

TABLE 3  
ARIA

| POS | CODE         | DESCRIPTION                         |
|-----|--------------|-------------------------------------|
| 1   | 7372004      | WOODEN KNOB                         |
| 1   | 7371511.01   | BLACK LEVER KNOB I.622/40-M8        |
| 2   | 5262801.01   | FERRULE 3/8" G H17 STAINLESS STEEL  |
| 3   | 5221826CM    | NUT 3/8                             |
| 4   | 5225610      | ARTICULATED JOINT M8                |
| 5   | 5260204DL    | SHAFT D12X47 AISI303 POLISH         |
| 6   | 5471513      | SPRING D8 H17 AISI302               |
| 7   | 5261801      | WASHER D11                          |
| 8   | 5283066TW    | BODY TAP 3/8                        |
| 9   | 5496042      | GASKET D11X4X4 EPT 70               |
| 10  | 5494004      | GASKET D12 X 6 PTFE GRAPHITIZED     |
| 11  | 5224603AL    | GASKET HOLDER D12X12 OT57USA        |
| 13  | 5494021      | NUT GASKET PTFE H=1,5               |
| 14  | 5190501      | CUP FOR FITTING PTFE/GLASS          |
| 15  | 5471532.01   | SPRING FOR ARTICULATION             |
| 16  | 7496052      | OR GASKET 114 VITON                 |
| 17  | 7814201      | WASHER 14 DIN6798J A2               |
| 18  | 5225416.01AL | FITTING M14XM13 ES19 H31 WITHOUT OR |
| 19  | 5966575      | STEAM PIPE 45°                      |
| 20  | 5966576      | WATER PIPE 45°                      |
| 21  | 5226601TW    | WATER HOSE TERMINAL                 |
| 22  | 5964109.01   | ASSY LEVER TAP+WATER PIPE 45°       |
| 22  | 5964112.01   | ASSY WATER LEVER TAP 45° WOOD       |
| 23  | 5964111.01   | ASSY LEVER STEAM TAP (WOOD)         |
| 23  | 5964110.01   | ASSY LEVER TAP+STEAM PIPE 45°       |

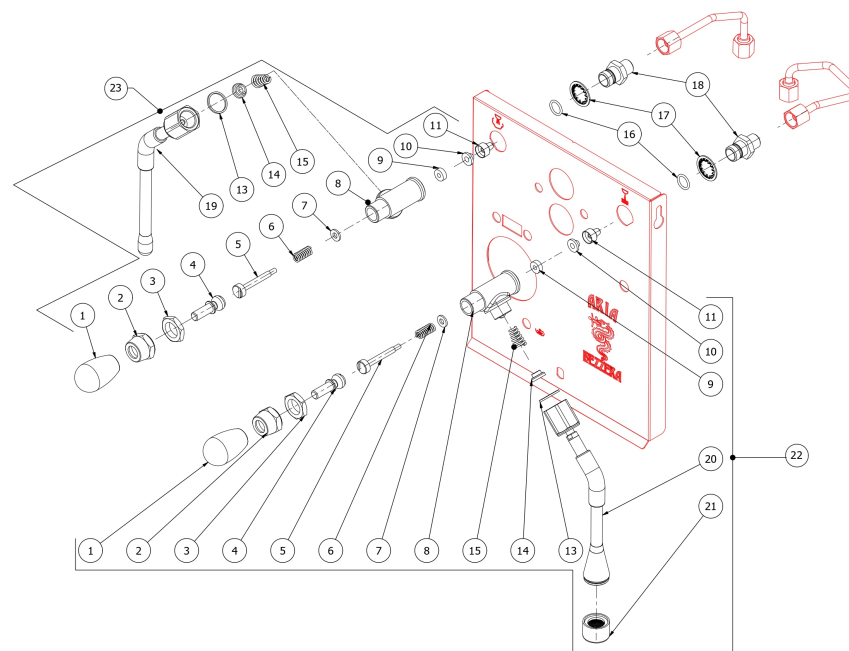
TABLE 3  
ARIA

TABLE 4  
ARIA S

| POS | CODE       | DESCRIPTION                     |
|-----|------------|---------------------------------|
| 1   | 7479933.01 | INJECTOR 0,7 UPPER SLEEVE ASSY  |
| 2   | 7479952DL  | UPPER ASSY PLUG                 |
| 3   | 7372004    | WOODEN KNOB                     |
| 3   | 7371511.01 | BLACK LEVER KNOB I.622/40-M8    |
| 9   | 7479953    | GASKET TF 22X17X2               |
| 10  | 7479954    | INOX FILTER D.8,5X22            |
| 11  | 7479955.01 | INJECTOR CH7X9 M6X0.75 HOLE 0.7 |
| 13  | 7479956.01 | UPPER SLEEVE ASSY               |
| 14  | 7479934    | GASKET OR 128 VITON             |
| 15  | 7479935    | GASKET TF Ø35X30X2              |
| 16  | 7479936    | DELIVERY VALVE SPRING           |
| 17  | 7479937    | DELIVERY VALVE ASSY             |
| 18  | 7479941    | SPRAYER D.30                    |
| 19  | 5471022    | INOX SHOWER FILTER              |
| 20  | 5493039    | GASKET H8 E61 GROUP             |
| 21  | 7479946    | ASSEMBLY VALVE                  |
| 22  | 7479942    | SPRING GUIDE BUSHING            |
| 23  | 7479957    | LOWER SLEEVE ASSY               |
| 24  | 7479943    | ASSEMBLY RELIEF VALVE           |
| 25  | 7479944    | DRAIN SPRING                    |
| 26  | 7479945    | JET-BREAKER BUSHING Ø15X6       |
| 27  | 7479960    | GASKET TF D26x21x2              |
| 28  | 7479961    | GROUP BOTTOM FITTING            |
| 29  | 7479950    | GROUND CAMS TREE                |
| 30  | 7479951    | CAMS LOCK STUD                  |
| 31  | 7479967    | CAM FLANGE                      |
| 32  | 7479968    | WASHER EP079 15.5X7.5X4         |
| 33  | 7479969    | BUSHING                         |
| 34  | 7479970    | SPRING                          |
| 35  | 7479971    | PLUG CHROMED                    |

TABLE 4  
ARIA S

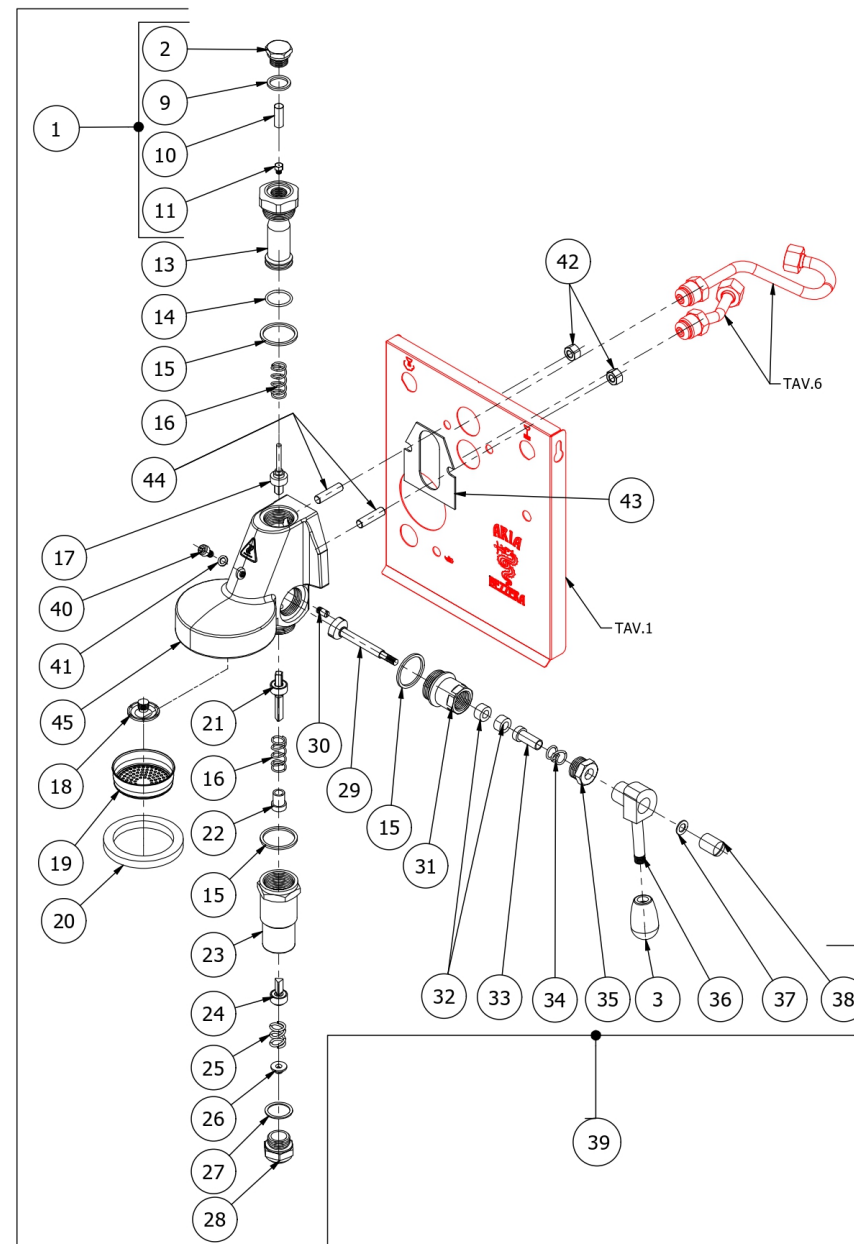


TABLE 4  
ARIA S

| POS | CODE         | DESCRIPTION                     |
|-----|--------------|---------------------------------|
| 36  | 7479931      | DELIVERY LEVER                  |
| 37  | 7479947      | WASHER D8                       |
| 38  | 7479948      | CAP D15XM6                      |
| 39  | 5963545.02AL | ASSY GROUP E61 OT57             |
| 39  | 5963576.01AL | ASSY E61 GROUP OT57 (WOOD)      |
| 40  | 7479939      | SCREW TCE M6X8                  |
| 41  | 7479938      | GASKET TF 10X6X1                |
| 42  | 7811402      | NUT M8 UNI5587 A2               |
| 43  | 7493011      | INSULATING                      |
| 44  | 5267013      | TIE ROD M8X31 ASTM A 193 B8 C/1 |
| 45  | 7479940AL    | LEVER BODY GROUP CHROMED OT57   |

TABLE 4  
ARIA S

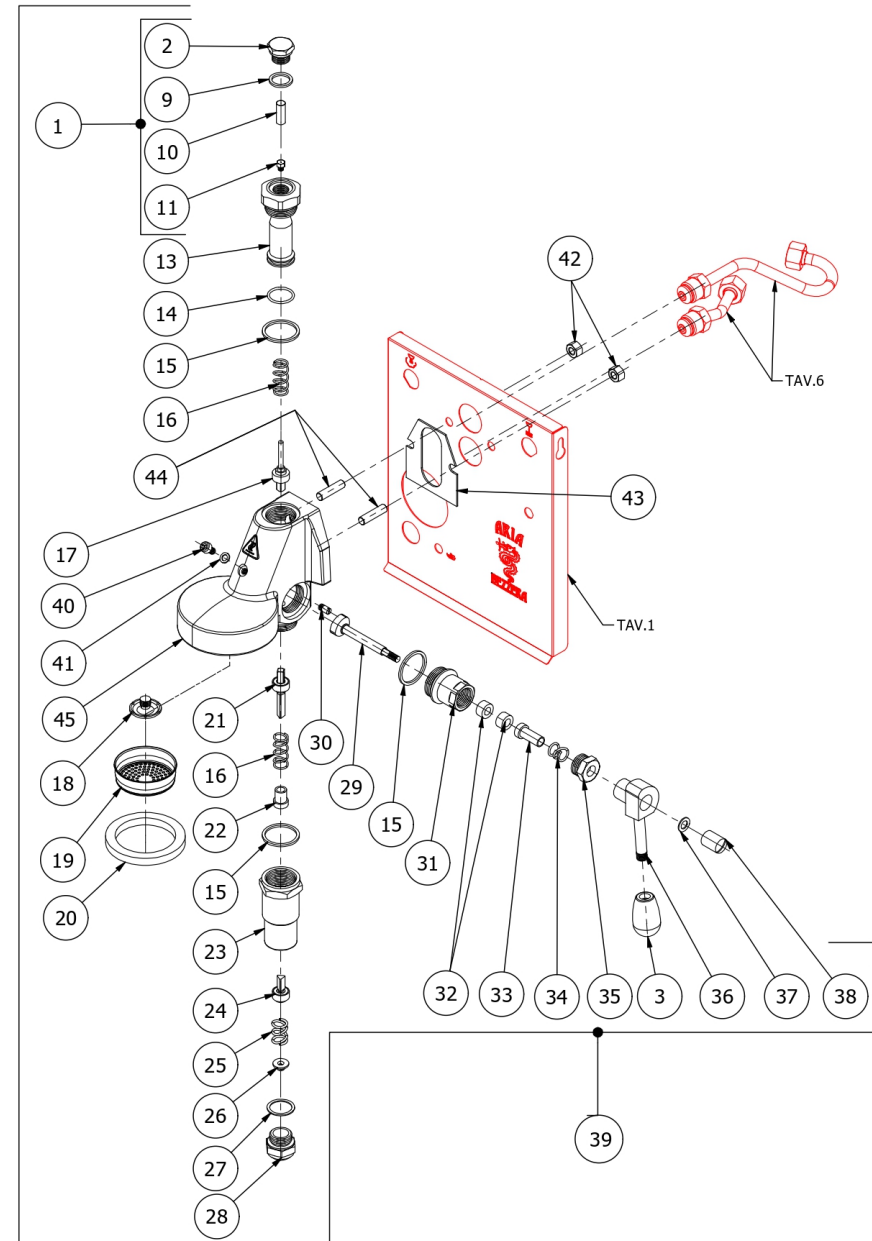
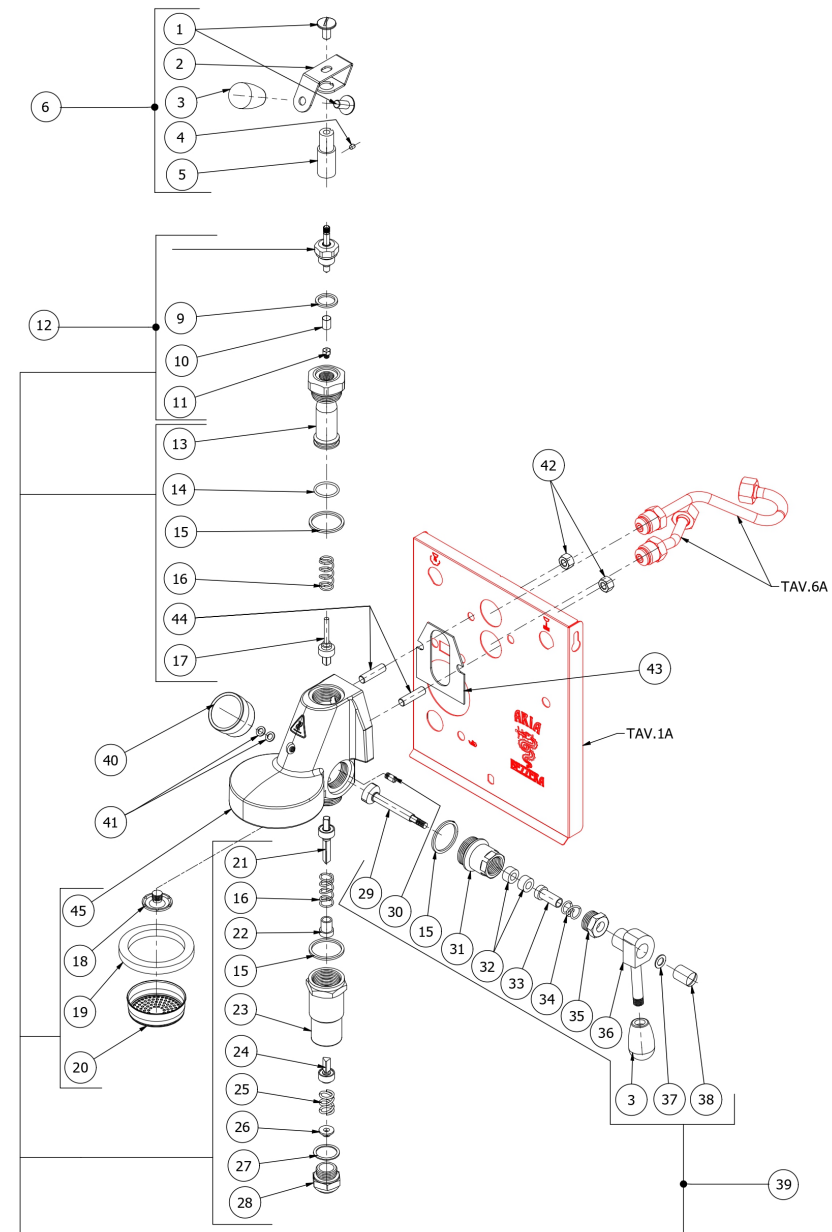


TABLE 4A  
ARIA TOP

| POS | CODE       | DESCRIPTION                         |
|-----|------------|-------------------------------------|
| 1   | 7809906DL  | SCREWS POELIER M8X16 A2 AISI304     |
| 2   | 5075744DL  | SQUARES FLOW CONTROL KNOB           |
| 3   | 7371511.01 | BLACK LEVER KNOB 1.622/40-M8        |
| 3   | 7372004    | WOODEN KNOB                         |
| 4   | 7812805    | WHEAT EI M4X6 UNI5927 A2            |
| 5   | 5226207    | HANDLE STOPPER FLOW CONTROL         |
| 6   | 7473610    | ASSY WOODEN HANDLE FLOW CONTROL E61 |
| 6   | 7473609    | ASSY PLASTIC HANDLE FLOW CONTROL    |
| 9   | 7479953    | GASKET TF 22X17X2                   |
| 10  | 7480005    | FILTER                              |
| 11  | 7480006    | INJECTOR                            |
| 12  | 5900572.01 | ROD, NUT, GASKET, INJECTOR 360°     |
| 13  | 7479956.01 | UPPER SLEEVE ASSY                   |
| 14  | 7479934    | GASKET OR 128 VITON                 |
| 15  | 7479935    | GASKET TF Ø35X30X2                  |
| 16  | 7479936    | DELIVERY VALVE SPRING               |
| 17  | 7479937    | DELIVERY VALVE ASSY                 |
| 18  | 7479941    | SPRAYER D.30                        |
| 19  | 5493039    | GASKET H8 E61 GROUP                 |
| 20  | 5471022    | INOX SHOWER FILTER                  |
| 21  | 7479946    | ASSEMBLY VALVE                      |
| 22  | 7479942    | SPRING GUIDE BUSHING                |
| 23  | 7479957    | LOWER SLEEVE ASSY                   |
| 24  | 7479943    | ASSEMBLY RELIEF VALVE               |
| 25  | 7479944    | DRAIN SPRING                        |
| 26  | 7479945    | JET-BREAKER BUSHING Ø15X6           |
| 27  | 7479960    | GASKET TF D26x21x2                  |
| 28  | 7479961    | GROUP BOTTOM FITTING                |
| 29  | 7479950    | GROUND CAMS TREE                    |
| 30  | 7479951    | CAMS LOCK STUD                      |

TABLE 4A  
ARIA TOP



**BEZZERA**

**ARIA**

TABLE 4A  
ARIA TOP

| POS | CODE         | DESCRIPTION                         |
|-----|--------------|-------------------------------------|
| 31  | 7479967      | CAM FLANGE                          |
| 32  | 7479968      | WASHER EP079 15.5X7.5X4             |
| 33  | 7479969      | BUSHING                             |
| 34  | 7479970      | SPRING                              |
| 35  | 7479971      | PLUG CHROMED                        |
| 36  | 7479931      | DELIVERY LEVER                      |
| 37  | 7479947      | WASHER D8                           |
| 38  | 7479948      | CAP D15XM6                          |
| 39  | 5963585.01AL | ASSY E61 GROUP+FLOW CONTROL WOOD    |
| 39  | 5963584.01AL | ASSY E61 GROUP+FLOW CONTROL PLASTIC |
| 40  | 7432534.01   | PRESSURE GAUGE D40 16BAR ITALY      |
| 41  | 7479938      | GASKET TF 10X6X1                    |
| 42  | 7811402      | NUT M8 UNI5587 A2                   |
| 43  | 7493011      | INSULATING                          |
| 44  | 5267013      | TIE ROD M8X31 ASTM A 193 B8 C/1     |
| 45  | 7479940AL    | LEVER BODY GROUP CHROMED OT57       |

**BEZZERA**

**ARIA**

TABLE 4A  
ARIA TOP

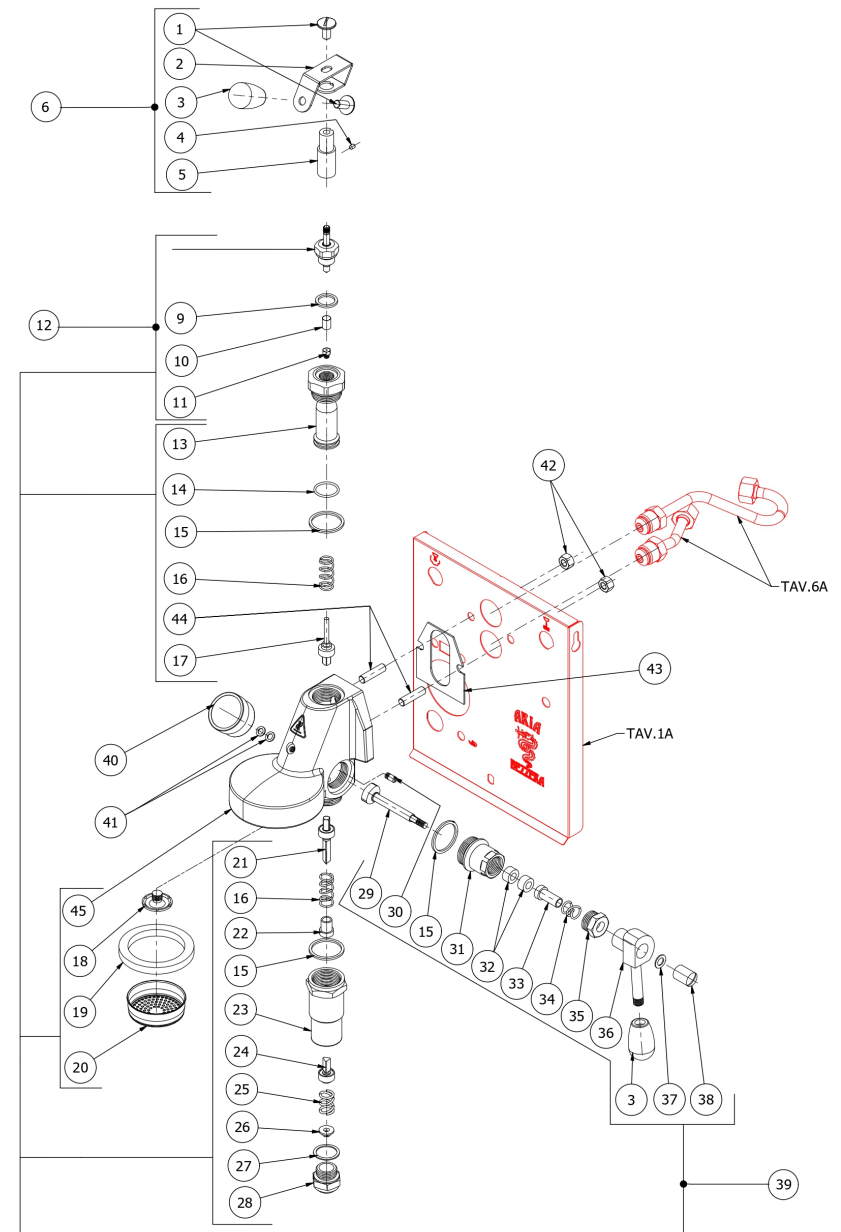


TABLE 4B  
ARIA FAST HEATING

| POS | CODE       | DESCRIPTION                         |
|-----|------------|-------------------------------------|
| 1   | 7809906DL  | SCREWS POELIER M8X16 A2 AISI304     |
| 2   | 5075744DL  | SQUARES FLOW CONTROL KNOB           |
| 3   | 7372004    | WOODEN KNOB                         |
| 3   | 7371511.01 | BLACK LEVER KNOB 1.622/40-M8        |
| 4   | 7812805    | WHEAT EI M4X6 UNI5927 A2            |
| 5   | 5226207    | HANDLE STOPPER FLOW CONTROL         |
| 6   | 7473610    | ASSY WOODEN HANDLE FLOW CONTROL E61 |
| 6   | 7473609    | ASSY PLASTIC HANDLE FLOW CONTROL    |
| 9   | 7479953    | GASKET TF 22X17X2                   |
| 10  | 7480005    | FILTER                              |
| 11  | 7480006    | INJECTOR                            |
| 12  | 5900572.01 | ROD, NUT, GASKET, INJECTOR 360°     |
| 13  | 7479956.01 | UPPER SLEEVE ASSY                   |
| 14  | 7479934    | GASKET OR 128 VITON                 |
| 15  | 7479935    | GASKET TF Ø35X30X2                  |
| 16  | 7479936    | DELIVERY VALVE SPRING               |
| 17  | 7479937    | DELIVERY VALVE ASSY                 |
| 18  | 7479941    | SPRAYER D.30                        |
| 19  | 5493039    | GASKET H8 E61 GROUP                 |
| 20  | 5471022    | INOX SHOWER FILTER                  |
| 21  | 7479946    | ASSEMBLY VALVE                      |
| 22  | 7479942    | SPRING GUIDE BUSHING                |
| 23  | 7479957    | LOWER SLEEVE ASSY                   |
| 24  | 7479943    | ASSEMBLY RELIEF VALVE               |
| 25  | 7479944    | DRAIN SPRING                        |
| 26  | 7479945    | JET-BREAKER BUSHING Ø15X6           |
| 27  | 7479960    | GASKET TF D26x21x2                  |
| 28  | 7479961    | GROUP BOTTOM FITTING                |
| 29  | 7479950    | GROUND CAMS TREE                    |
| 30  | 7479951    | CAMS LOCK STUD                      |

TABLE 4B  
ARIA FAST HEATING

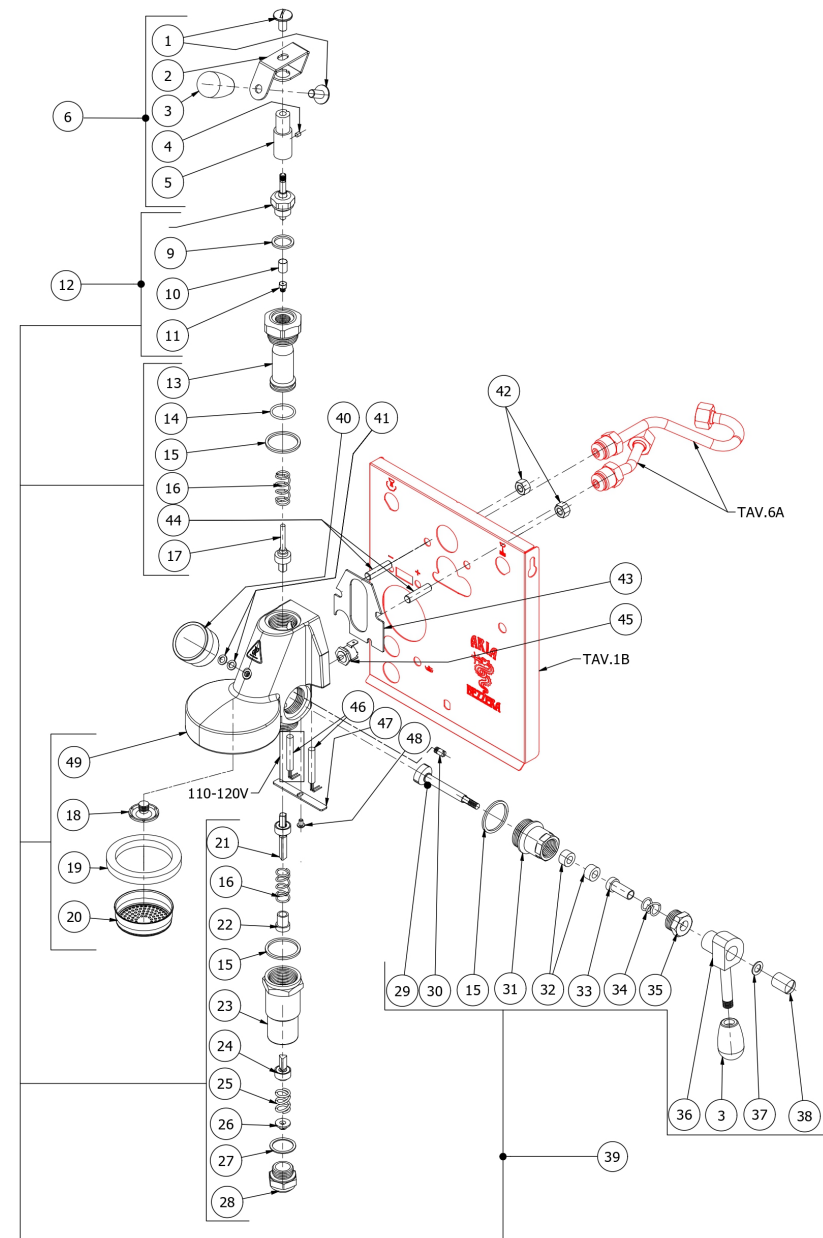


TABLE 4B  
ARIA FAST HEATING

| POS | CODE       | DESCRIPTION                                   |
|-----|------------|---|
| 31  | 7479967    | CAM FLANGE                                    |
| 32  | 7479968    | WASHER EP079 15.5X7.5X4                       |
| 33  | 7479969    | BUSHING                                       |
| 34  | 7479970    | SPRING  |
| 35  | 7479971    | PLUG CHROMED                                  |
| 36  | 7479931    | DELIVERY LEVER                                |
| 37  | 7479947    | WASHER D8                                     |
| 38  | 7479948    | CAP D15XM6                                    |
| 39  | 5961253    | ASSY GROUP.E61 OT57+R.FLUS.220-240V PLASTIC   |
| 39  | 5961260    | ASSY GROUP.E61 OT57+R.FLUS.220-240V WOOD      |
| 39  | 5961257    | ASSY GROUP.E61 OT57+R.FLUS.110-120V PLASTIC   |
| 39  | 5961258    | ASSY GROUP.E61 OT57+R.FLUS.110-120V WOOD      |
| 40  | 7432534.01 | PRESSURE GAUGE D40 16BAR ITALY                |
| 41  | 7479938    | GASKET TF 10X6X1                              |
| 42  | 7811402    | NUT M8 UNI5587 A2                             |
| 43  | 7493026    | INSULATING                                    |
| 44  | 5267013    | TIE ROD M8X31 ASTM A 193 B8 C/1               |
| 45  | 7634808    | THERMAL SAFETY DEVICE 250V 95°C               |
| 46  | 5963405    | GLOW PLUG ASSY SINGLE 110/120V 100W           |
| 46  | 5963401    | GLOW PLUG ASSY DOUBLE 220/240V 150W           |
| 47  | 5058533    | GLOW PLUG COVER GROUP E61                     |
| 48  | 7819912    | SCREW M4X6                                    |
| 49  | 7479962AL  | LEVER BODY GROUP E61 CR.OT57 FOR FAST HEATING |

TABLE 4B  
ARIA FAST HEATING

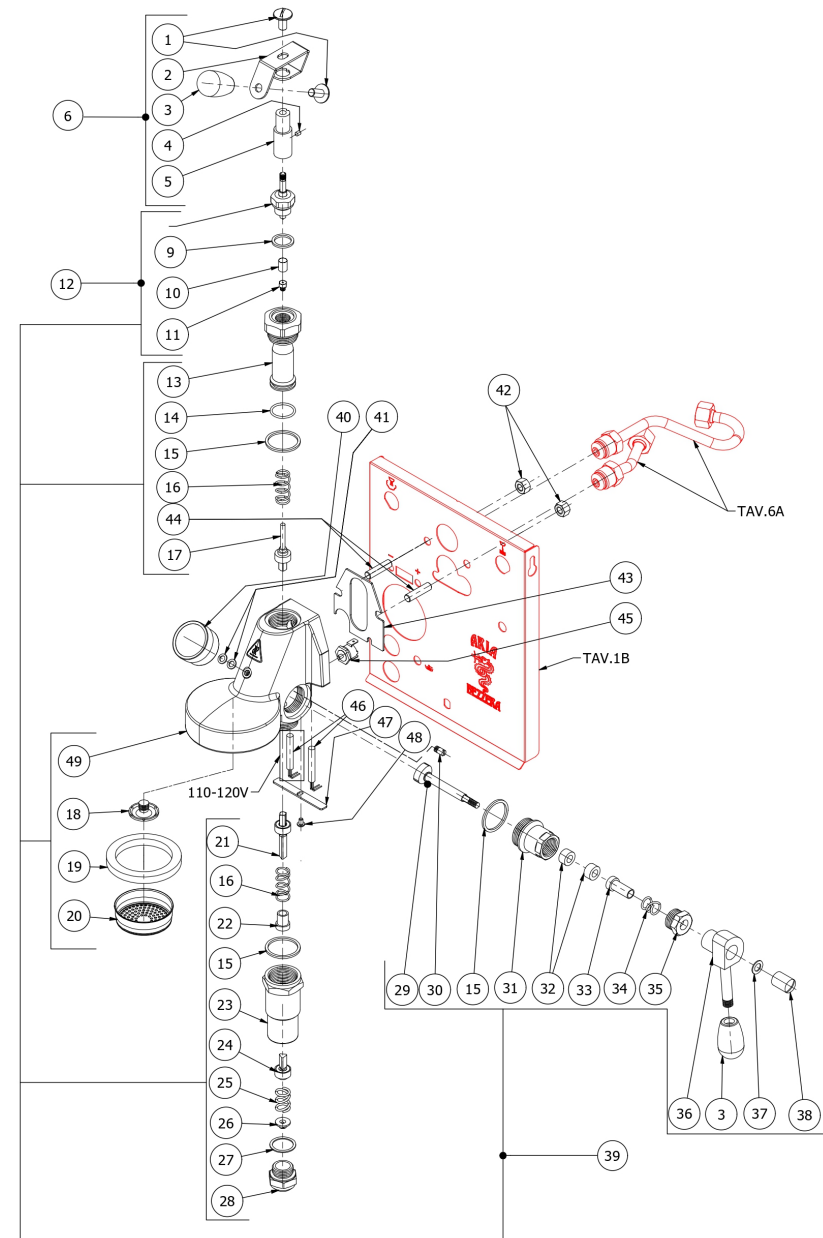


TABLE 5  
ARIA S

| POS | CODE         | DESCRIPTION                         |
|-----|--------------|-------------------------------------|
| 1   | 7373009.01   | TANK 3 LITERS                       |
| 2   | 5058706.01LL | TANK SUPPORT W/COMPASSES            |
| 3   | 7812402      | NUT M3 UNI7473 A2 SELF-LOCKING INOX |
| 4   | 7666011      | TANK SENSOR                         |
| 5   | 5191510      | SPACER                              |
| 6   | 5194585      | SILICON PIPE 8x5x700                |
| 7   | 7374015      | WATER FILTER 200 MICRON             |
| 8   | 7816002      | SCREW TCEI M4X12 UNI 5931 A2        |
| 9   | 7816004      | SCREW TCEI M4X16 A2                 |
| 10  | 7815003      | PLAIN WASHER D5 UNI 6592 A2         |
| 11  | 7303006      | RUBBER-HOLDER FITTING               |
| 12  | 7470602      | VIBRATION-DAMPING                   |
| 13  | 7731026.01   | VIBRATION PUMP OL PLUS 220V 50/60HZ |
| 13  | 7731027.01   | VIBRATION PUMP PLUS 240V 50HZ OT57  |
| 13  | 7731024.01   | VIBRATION PUMP PLUS 120V 60HZ OT57  |
| 13  | 7731023.01   | VIBRATION PUMP OL PLUS 230V 50HZ OT |
| 13  | 7731025.01   | VIBRATION PUMP OLAB PLUS 100V       |
| 14  | 7634816      | THERMIC SAFETY DEV.AUT.PUMP 100°    |
| 15  | 7496023      | GASKET OR 106 VITON                 |
| 16  | 7303056      | FITTING M 1/8                       |

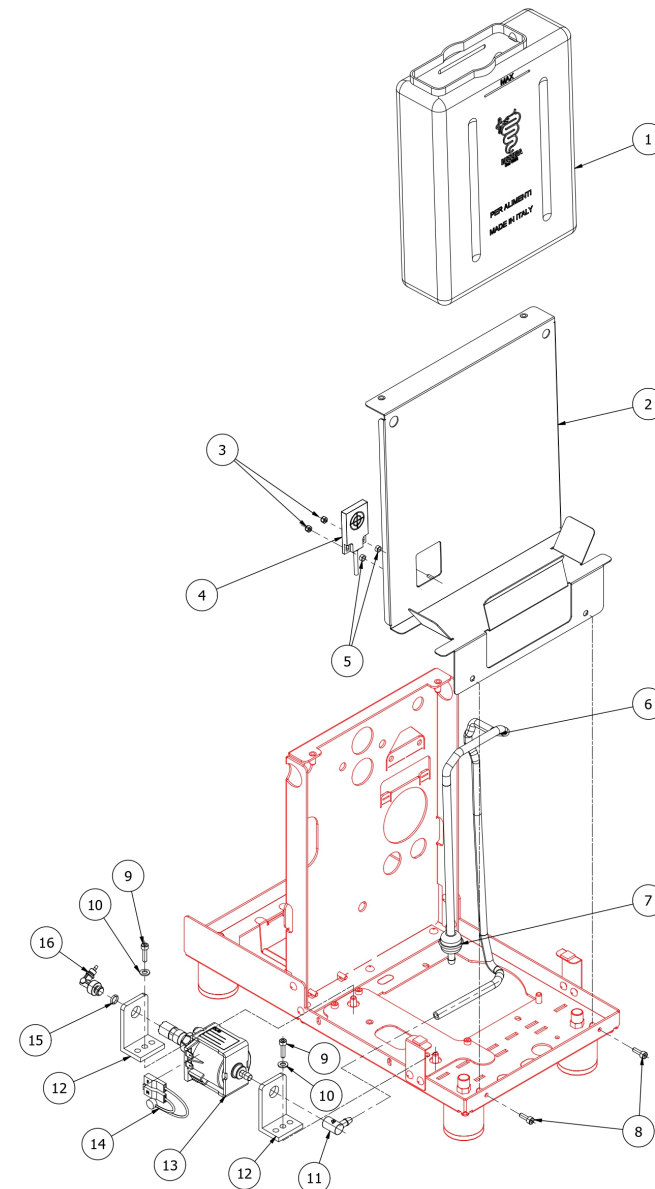
TABLE 5  
ARIA S

TABLE 5A  
ARIA TOP

| POS | CODE         | DESCRIPTION                         |
|-----|--------------|-------------------------------------|
| 1   | 7373009.01   | TANK 3 LITERS                       |
| 2   | 5058706.01LL | TANK SUPPORT W/COMPASSES            |
| 3   | 7812402      | NUT M3 UNI7473 A2 SELF-LOCKING INOX |
| 4   | 7666011      | TANK SENSOR                         |
| 5   | 5191510      | SPACER                              |
| 6   | 5059921LW    | TANK SENSOR COVER                   |
| 7   | 5283062      | CONICAL DISCHARGE FITTING           |
| 8   | 7815001      | WASHER D10 UNI 6592 A2              |
| 9   | 5221844      | NUT 1/8                             |
| 10  | 5194547      | SILICON PIPE 8X5X150                |
| 11  | 7742405      | ELECTRIC MOTOR 220/240V             |
| 11  | 7741007      | ELECTRIC MOTOR 110-115V 50/60HZ     |
| 12  | 7816017      | SCREW TCEI M4X6                     |
| 13  | 7812601      | INOX NUT M4 UNI5588                 |
| 14  | 7814001      | WASHER D4 DIN 6798A A2              |
| 15  | 5058507LW    | MOTOR SUPPORT                       |
| 16  | 7470604      | VIBRATION-DAMPING                   |
| 17  | 5058508LW    | MOTOR SUPPORT PUMP SIDE             |
| 18  | 7819921      | SCREW M3x10                         |
| 19  | 7730514      | ROTATIVE PUMP 70L/H COMPACT         |
| 20  | 7303068      | FITTING M 1/4                       |
| 21  | 7811801      | S/S NUT M8                          |
| 22  | 5370314TT    | ELBOW RUBBER-HOLDER                 |
| 23  | 5302088AL    | FITTING 1/4                         |
| 24  | 7304557TT    | 3 WAYS VALVE                        |
| 25  | 7303072TT    | REVOLVING FITTING 1/4"              |
| 26  | 5194703      | PTFE PIPE 6X220                     |
| 27  | 7303070TT    | ELBOW FITTING                       |
| 28  | 7818009      | SCREW AUTOF.TB D2.9X6.5 INOX        |
| 29  | 5055761LW    | TANK/NET SHIELD                     |

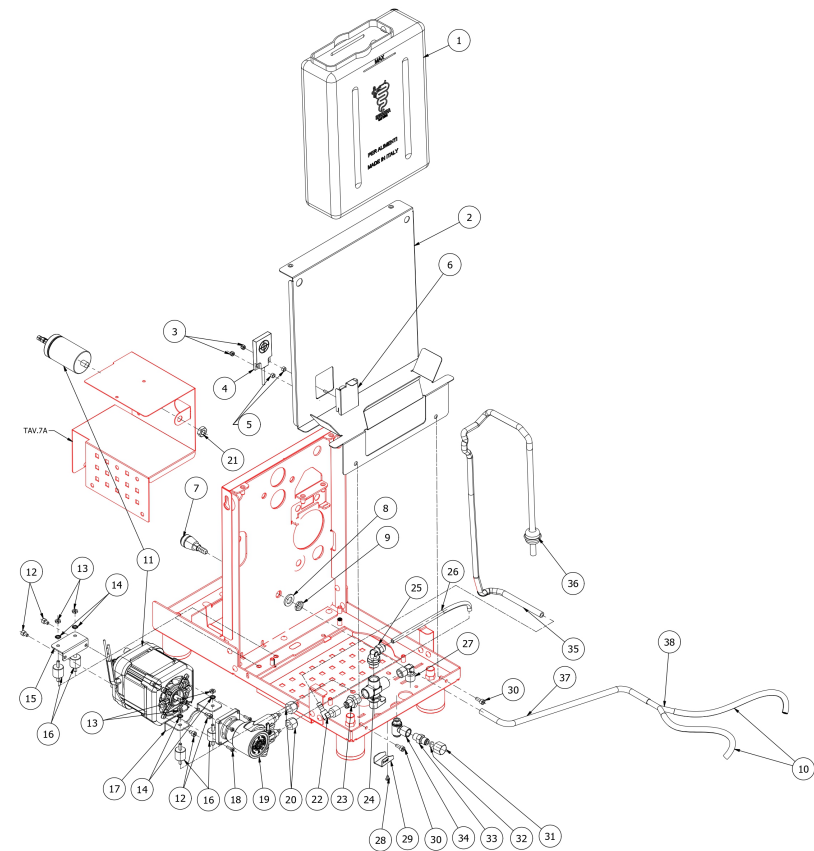
TABLE 5A  
ARIA TOP

TABLE 5A  
ARIA TOP

| POS | CODE      | DESCRIPTION                 |
|-----|-----------|-----------------------------|
| 30  | 7816009   | SCREW TCEI M4X10 UNI 5931A2 |
| 31  | 5221835   | CAP NUT 1/8"                |
| 32  | 5492019   | GASKET D8 X 2 ASBESTOS FREE |
| 33  | 7304502TT | SERTO FITTING 1/8"          |
| 34  | 7304556TT | REVOLVING FITTING           |
| 35  | 5194585   | SILICON PIPE 8x5x700        |
| 36  | 7374015   | WATER FILTER 200 MICRON     |
| 37  | 5194540   | SILICON PIPE D8X5X1.5 L=300 |
| 38  | 7303039   | FITTING                     |

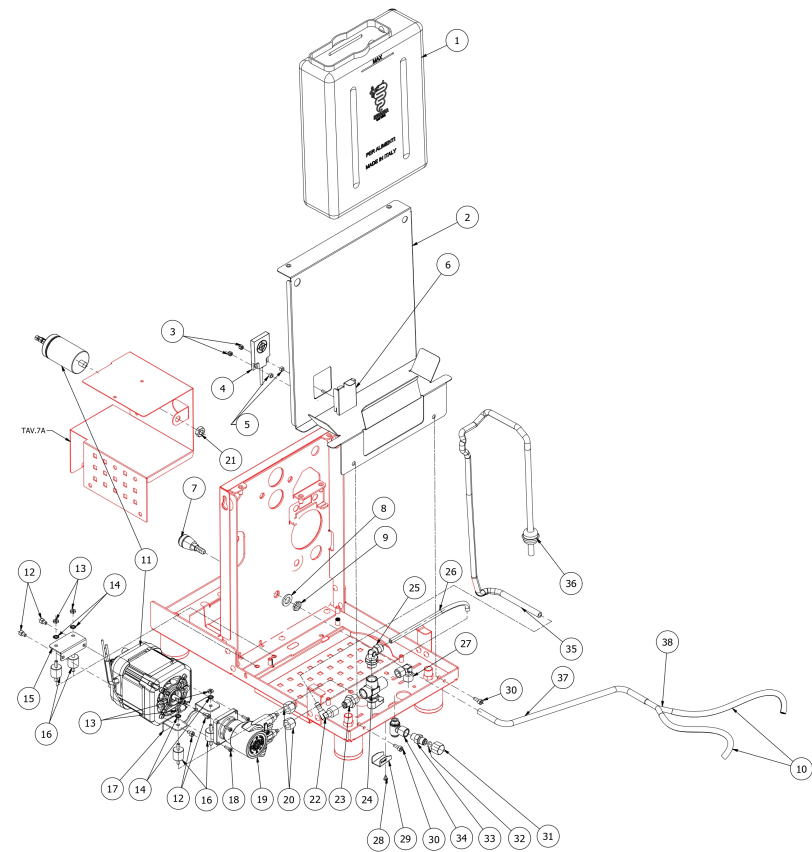
TABLE 5A  
ARIA TOP

TABLE 6  
ARIA S

| POS | CODE         | DESCRIPTION                       |
|-----|--------------|-----------------------------------|
| 1   | 5192320      | DRAW OUT D6X1 L=60 PTFE           |
| 2   | 5302006AL    | FITTING M12X1/8                   |
| 3   | 7816032      | SCREW M5X55                       |
| 4   | 5494027      | RING GASKET 5.70X9X1              |
| 5   | 5130501      | COPPER WASHER 13.5X18X1,5         |
| 6   | 5302078AL    | FITTING 3/8                       |
| 7   | 5164093LL    | ASSY COPPER PIPE                  |
| 8   | 5223025AL    | GICLEUR 1/8 3 HOLE                |
| 9   | 5225201AL    | FITTING 1/4                       |
| 10  | 7452511.01   | ANTI-PRESSURE VALVE RC OT + TF    |
| 11  | 5164094LL    | ASSY COPPER PIPE                  |
| 12  | 7496106      | OR RED GASKET                     |
| 13  | 5162500LL    | WATER TAP PIPE                    |
| 14  | 5192301      | SUCTION D6X1 L=130MM PTFE         |
| 15  | 5302075AL    | FITTING M13-1/8"G                 |
| 16  | 7400909      | PUMP CAPILLARY                    |
| 17  | 7304505.01TR | ELBOW FITTING 3 WAYS              |
| 18  | 7433013      | PRESSOSTAT XP/100 1/4             |
| 19  | 5492028      | GASKET D10.5X4X3                  |
| 20  | 5162504LL    | PRESSOSTAT PIPE                   |
| 21  | 5162499LL    | STEAM TAP PIPE                    |
| 22  | 7452509.02   | SAFETY VALVE 3/8                  |
| 23  | 5225423AL    | REDUCTION FITTING 1/4 3/8         |
| 24  | 5265804      | LEVEL PROBE D3 X 110 X 6.3        |
| 25  | 5192001      | PROBE SHEATH D8 X 45 HOLE D3 PTFE |
| 26  | 5225205      | STRAIGHT FITTING M10 OT           |
| 27  | 5225209AL    | FITTING M10X1/4                   |
| 28  | 9991028      | BOILER COVER                      |
| 29  | 5320532.01BL | EXCHANGER BOILER W/SCREWS         |
| 30  | 7496040      | OR GASKET D73 X 3 VITON           |

TABLE 6  
ARIA S

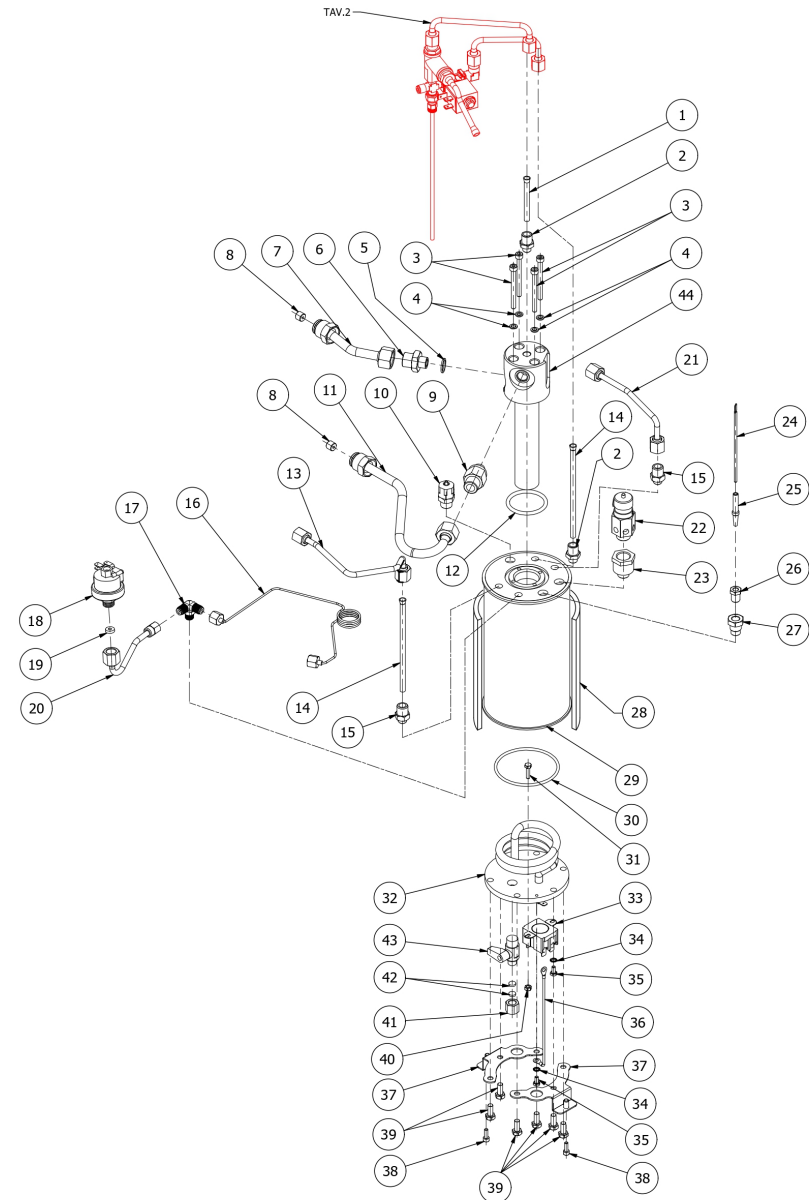


TABLE 6  
ARIA S

| POS | CODE         | DESCRIPTION                         |
|-----|--------------|-------------------------------------|
| 31  | 7826402      | SCREW TE M4X16 UNI 5739 OT          |
| 32  | 5722261.01AL | HEATING ELEMENT 220/240V-1100/1300W |
| 32  | 5722263AL    | HEATING ELEMENT 120V-1200W          |
| 33  | 7634819.01   | THERMIC PROTECTION 250V 130°C       |
| 34  | 7814001      | WASHER D4 DIN 6798A A2              |
| 35  | 7816409      | SCREW TE M4X8 UNI 5739 A2           |
| 36  | 7663573.01   | RESISTANCE CONNECTION CABLE         |
| 37  | 5058709LL    | BOILER SUPPORT WITH COMPASSES       |
| 38  | 7816002      | SCREW TCEI M4X12 UNI 5931 A2        |
| 39  | 7816422      | SCREW TE M6X14 UNI 5739 OT          |
| 40  | 7822603      | NUT M4 OT                           |
| 41  | 5221835      | CAP NUT 1/8                         |
| 42  | 5492019      | GASKET D8 X 2 ASBESTOS FREE         |
| 43  | 7451506      | MINI VALVE MINI BALL 1/4-1/8        |
| 44  | 5329029.01DC | EXCHANGER W/SCREW                   |

TABLE 6  
ARIA S

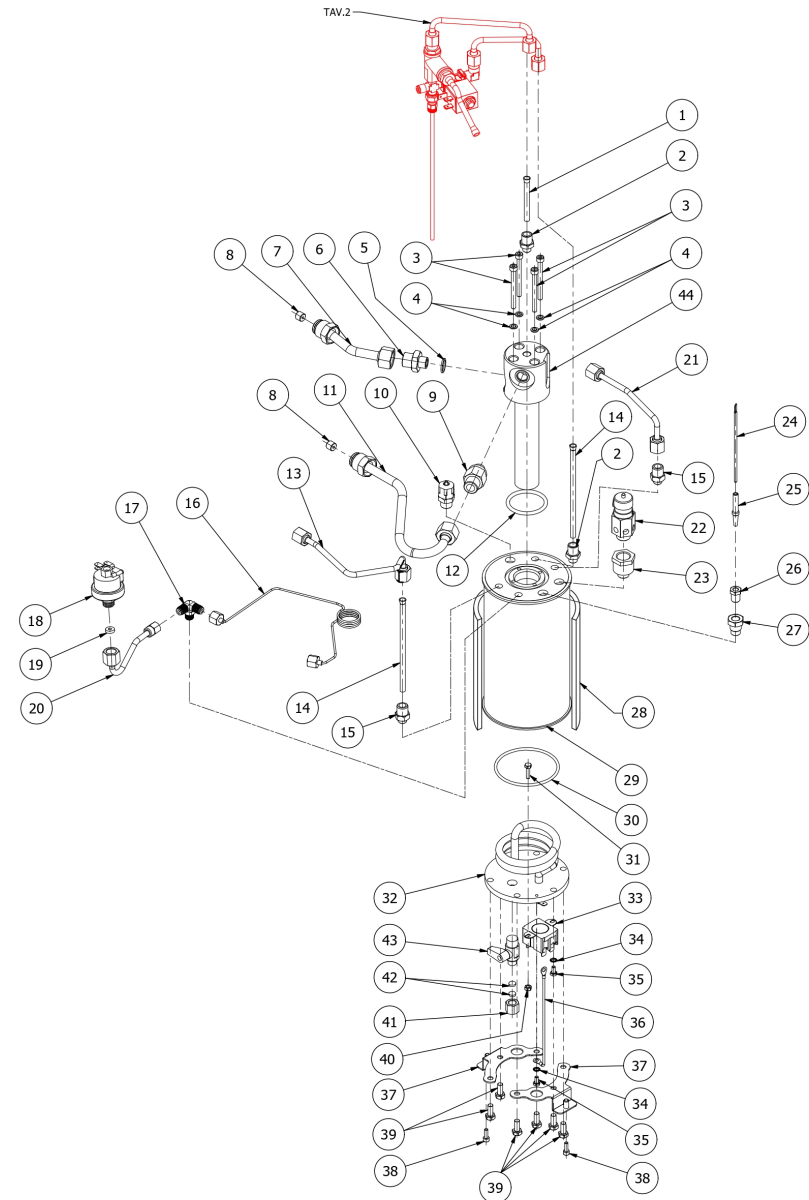


TABLE 6A  
ARIA TOP

| POS | CODE         | DESCRIPTION                       |
|-----|--------------|-----------------------------------|
| 1   | 5192320      | DRAW OUT D6X1 L=60 PTFE           |
| 2   | 5302006AL    | FITTING M12X1/8                   |
| 3   | 7816032      | SCREW M5X55                       |
| 4   | 5494024.01   | EXCHANGER GASKET UNDER SCREW M5   |
| 5   | 5329029.01DC | EXCHANGER W/SCREW                 |
| 6   | 5130501      | COPPER WASHER 13.5X18X1,5         |
| 7   | 5225201AL    | FITTING 1/4                       |
| 8   | 5164094LL    | ASSY COPPER PIPE                  |
| 9   | 5223025AL    | GICLEUR 1/8 3 HOLE                |
| 10  | 5265804      | LEVEL PROBE D3 X 110 X 6.3        |
| 11  | 5192001      | PROBE SHEATH D8 X 45 HOLE D3 PTFE |
| 12  | 5225205      | STRAIGHT FITTING M10 OT           |
| 13  | 5225209AL    | FITTING M10X1/4                   |
| 14  | 7452509.02   | SAFETY VALVE 3/8                  |
| 15  | 5225423AL    | REDUCTION FITTING 1/4 3/8         |
| 17  | 7452511.02   | VALVE ANTIDEPRESSION W/RUBBER-    |
| 18  | 5492028      | GASKET D10.5X4X3                  |
| 19  | 5162504LL    | PRESSOSTAT PIPE                   |
| 20  | 5965077      | ASSY DEPR.VALVE ARIA PID          |
| 22  | 7304505.01TR | ELBOW FITTING 3 WAYS              |
| 23  | 5162500LL    | WATER TAP PIPE                    |
| 24  | 5192301      | SUCTION D6X1 L=130MM PTFE         |
| 25  | 5302075AL    | FITTING M13-1/8"G                 |
| 26  | 5302078AL    | FITTING 3/8                       |
| 27  | 5164093LL    | ASSY COPPER PIPE                  |
| 28  | 7496106      | OR RED GASKET                     |
| 29  | 7666008      | PROBE X THERMOPID AISI316 D3      |
| 30  | 5162499LL    | STEAM TAP PIPE                    |
| 31  | 7826402      | SCREW TE M4X16 UNI 5739 OT        |
| 32  | 7496040      | OR GASKET D73 X 3 VITON           |

TABLE 6A  
ARIA TOP

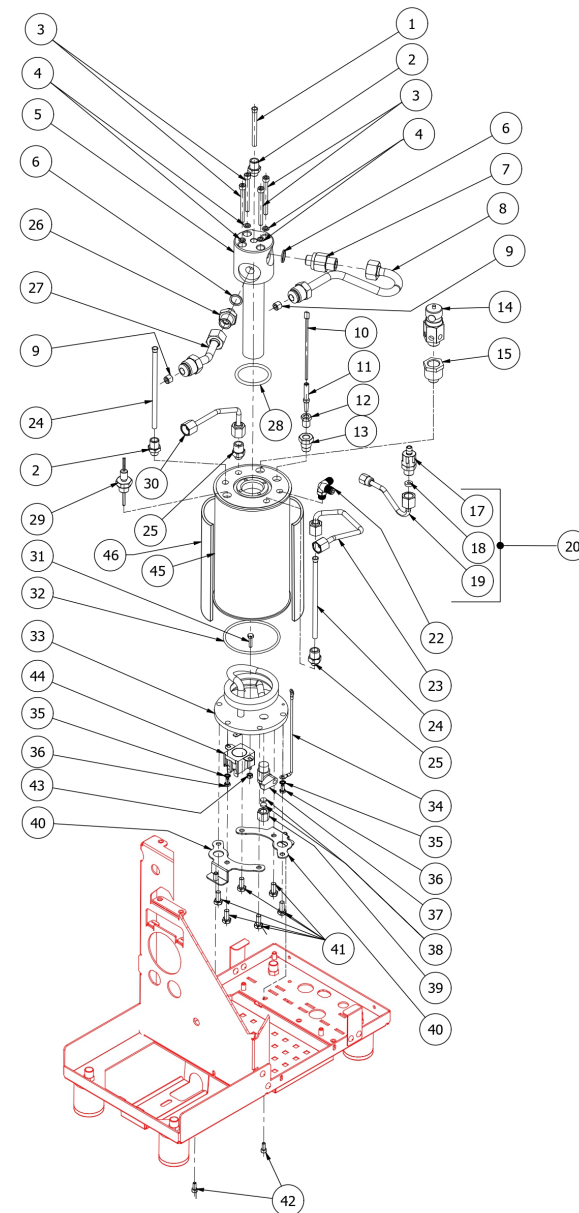


TABLE 6A  
ARIA TOP

| POS | CODE         | DESCRIPTION                         |
|-----|--------------|-------------------------------------|
| 33  | 5722261.01AL | HEATING ELEMENT 220/240V-1100/1300W |
| 33  | 5722263AL    | HEATING ELEMENT 120V-1200W          |
| 34  | 7663573.01   | RESISTANCE CONNECTION CABLE         |
| 35  | 7814001      | WASHER D4 DIN 6798A A2              |
| 36  | 7816409      | SCREW TE M4X8 UNI 5739 A2           |
| 37  | 7451506      | MINI VALVE MINI BALL 1/4-1/8        |
| 38  | 5492019      | GASKET D8 X 2 ASBESTOS FREE         |
| 39  | 5221835      | CAP NUT 1/8                         |
| 40  | 5058709LL    | BOILER SUPPORT WITH COMPASSES       |
| 41  | 7816422      | SCREW TE M6X14 UNI 5739 OT          |
| 42  | 7816009      | SCREW TCEI M4X10 UNI 5931A2         |
| 43  | 7822603      | NUT M4 OT                           |
| 44  | 7634819.01   | THERMIC PROTECTION 250V 130°C       |
| 45  | 5320532.01BL | EXCHANGER BOILER W/SCREWS           |
| 46  | 9991028      | BOILER COVER                        |

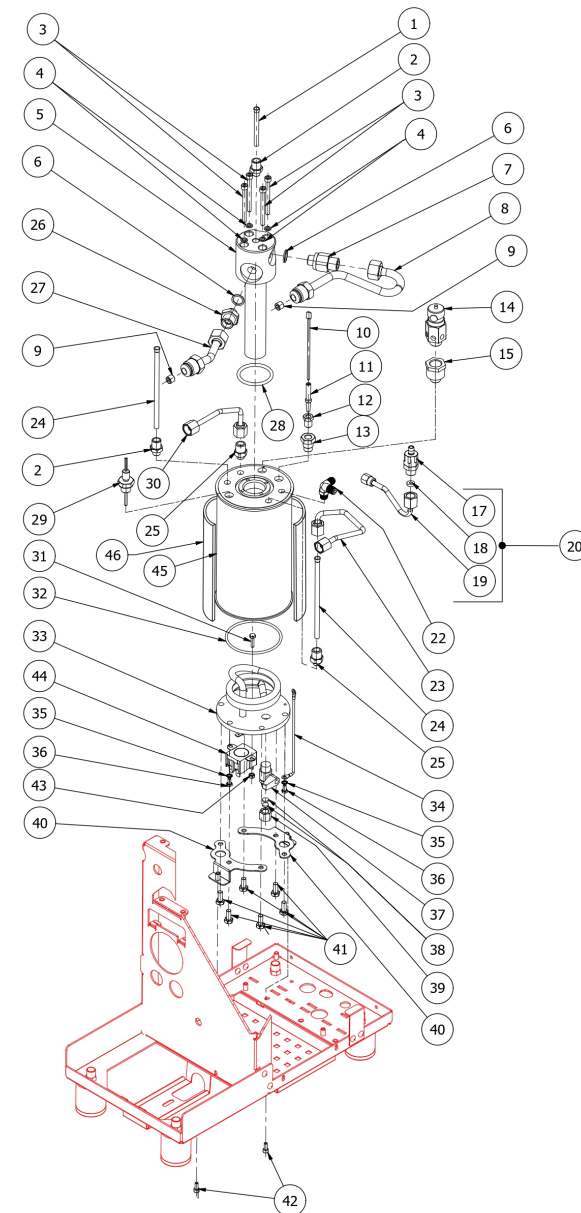
TABLE 6A  
ARIA TOP

TABLE 7  
ARIA S

| POS | CODE       | DESCRIPTION                         |
|-----|------------|-------------------------------------|
| 1   | 5221875CM  | NUT M10X0,75                        |
| 2   | 7633906.01 | MICRO SWITCH                        |
| 3   | 7633355SG  | SWITCH 110V ON/OFF                  |
| 3   | 7633354SG  | SWITCH 230V ON/OFF                  |
| 4   | 7633628    | WHITE LAMP                          |
| 5   | 7614007    | FAIRLEAD WITH HOLE RUBBER           |
| 6   | 7822603    | NUT M4 OT                           |
| 7   | 7814001    | WASHER D4 DIN 6798A A2              |
| 8   | 7826411    | SCREW TE M4X20 UNI5739 OT           |
| 9   | 7614006    | NUT PG13.5                          |
| 10  | 7555001    | ELECTRIC CABLE WITH SHUKO PLUG      |
| 10  | 7554001    | ELECTRIC CABLE WITH ENGLISH PLUG    |
| 10  | 7555003    | SWISS PLUG CABLE H05VV-F 3X1,5 10A  |
| 10  | 7552001    | ELECTRIC CABLE WITH AUSTRALIAN PLUG |
| 10  | 7551001    | ELECTRIC CABLE WITH USA PLUG L=1.5M |
| 11  | 7809809    | PLASTIC SCREW TCI M3X5 DIN7985      |
| 12  | 7663007    | ANTI-RIST FILTER 0.1MF (X2) SH      |
| 13  | 7822602    | NUT M3 OT                           |
| 14  | 7812401    | NUT M4 UNI7473 A2 AUTO BLOCC        |
| 15  | 5058707LL  | ELECTRIC SUPPORT PARTS W/COMPASSES  |
| 16  | 7816002    | SCREW TCEI M4X12 UNI 5931 A2        |
| 17  | 7635426    | RELAIS SSR COMPACT                  |
| 18  | 7661007R   | LEVEL REGULATOR 220/240V 50/60HZ    |
| 18  | 7661006R   | LEVEL REGULATOR 100/120V 50/60HZ    |
| 19  | 5058710    | SUPPORT                             |
| 20  | 7819404    | TAPPING SCREW TPS D2.9X9.5 UNI 6952 |

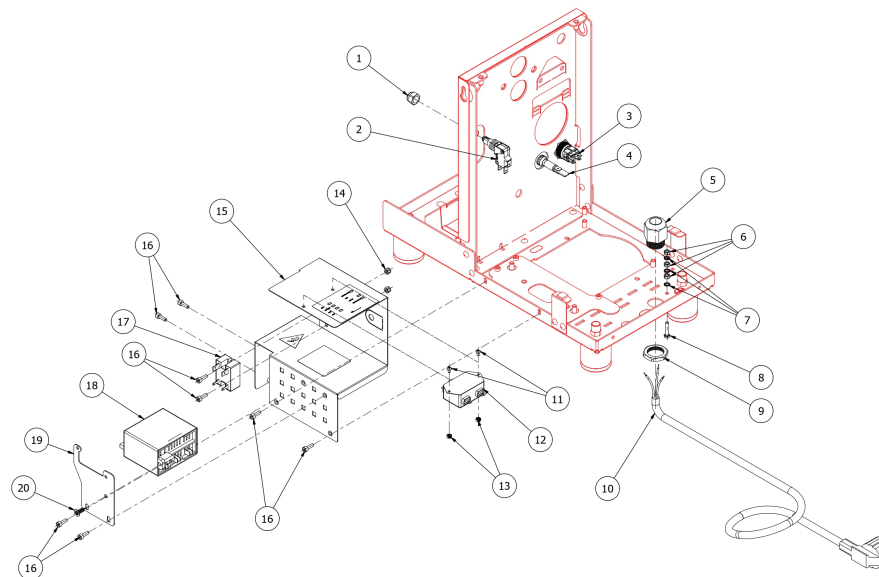
TABLE 7  
ARIA S

TABLE 7A  
ARIA TOP

| POS | CODE         | DESCRIPTION                         |
|-----|--------------|-------------------------------------|
| 1   | 5522077      | PID ADHESIVE LABEL                  |
| 2   | 7374016      | SCREW TC M2.5X6                     |
| 3   | 7665544      | TPID DISPLAY CARD WHITE (PR)        |
| 4   | 5191518      | PLASTIC SPACER M2.5X10              |
| 5   | 7809814      | SCREW TBEI M4X8                     |
| 6   | 5053063LW    | PID COVER                           |
| 7   | 7633354SG    | SWITCH 230V ON/OFF                  |
| 7   | 7633355SG    | SWITCH 110V ON/OFF                  |
| 8   | 7633628      | WHITE LAMP                          |
| 9   | 5221875CM    | NUT M10X0,75                        |
| 10  | 7633910.01   | MICRO SWITCH 2 POLIES W/WEEL        |
| 11  | 7614007      | FAIRLEAD WITH HOLE RUBBER           |
| 12  | 7822603      | NUT M4 OT                           |
| 13  | 7814001      | WASHER D4 DIN 6798A A2              |
| 14  | 7826411      | SCREW TE M4X20 UNI5739 OT           |
| 15  | 7614006      | NUT PG13.5                          |
| 16  | 7552001      | ELECTRIC CABLE WITH AUSTRALIAN PLUG |
| 16  | 7551001      | ELECTRIC CABLE WITH USA PLUG L=1.5M |
| 16  | 7555003      | SWISS PLUG CABLE H05VV-F 3X1,5 10A  |
| 16  | 7554001      | ELECTRIC CABLE WITH ENGLISH PLUG    |
| 16  | 7555001      | ELECTRIC CABLE WITH SHUKO PLUG      |
| 17  | 7809809      | PLASTIC SCREW TCI M3X5 DIN7985      |
| 18  | 7663007      | ANTI-RIST FILTER 0.1MF (X2) SH      |
| 19  | 7822602      | NUT M3 OT                           |
| 20  | 7816009      | SCREW TCEI M4X10 UNI 5931A2         |
| 21  | 7812401      | NUT M4 UNI7473 A2 AUTO BLOCK        |
| 22  | 5058707.01LL | ELECTRIC SUPPORT PARTS W/COMPASSES  |
| 23  | 7635426      | RELAIS SSR COMPACT                  |
| 24  | 7816002      | SCREW TCEI M4X12 UNI 5931 A2        |
| 25  | 7663640      | CABLE 15 VIE FEMALE L.320MM         |

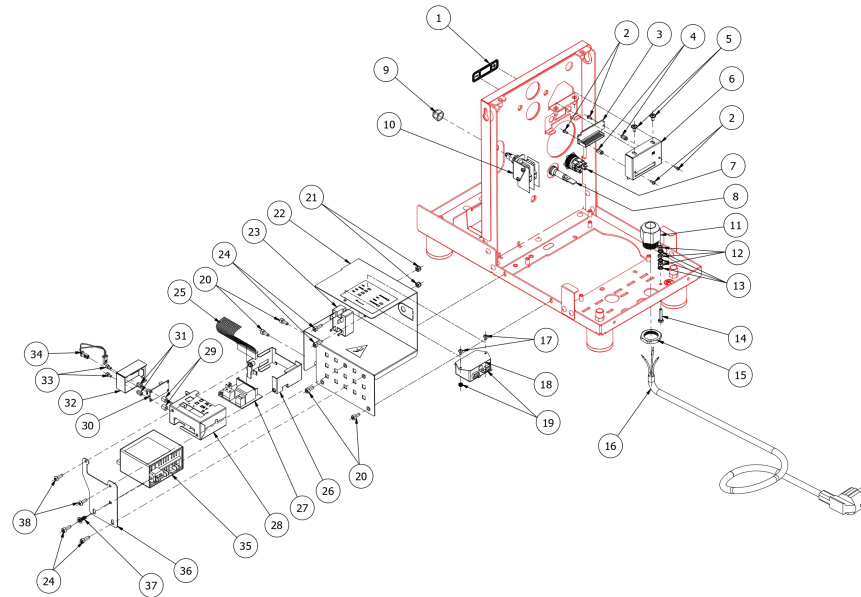
TABLE 7A  
ARIA TOP

TABLE 7A  
ARIA TOP

| POS | CODE        | DESCRIPTION                         |
|-----|-------------|-------------------------------------|
| 26  | 5058513LL   | SUPPORT PID CARD W/COMPASSES        |
| 27  | 7434027.02  | THERMOSTAT TPID 230/240V S/DISP     |
| 27  | 7434026.02  | THERMOSTAT TPID 110V W/DISPLAY (PR) |
| 28  | 5343104     | PID COMPLETE COVER                  |
| 29  | 5191513     | SPACER NYLON 66 L=7 MM              |
| 30  | 7665545     | OPTO TIMER BOARD (PR)               |
| 31  | 7639915     | PLASTIC SPACER M3X8                 |
| 32  | 5053061LW   | COVER OPTO TIMER (PR)               |
| 33  | 7816016     | SCREW TCEI M3X6                     |
| 34  | 7663641     | CONNECTION CABLE CARD               |
| 35  | 7661007.01R | LEVEL REGULATOR 220/240V 50/60HZ    |
| 35  | 7661006.01R | LEVEL REGULATOR 100/120V 50/60HZ    |
| 36  | 5058710     | SUPPORT                             |
| 37  | 7819404     | TAPPING SCREW TPS D2.9X9.5 UNI 6952 |
| 38  | 7819901     | SCREW TBEI M4X12 ISO 7380 A2 INOX   |

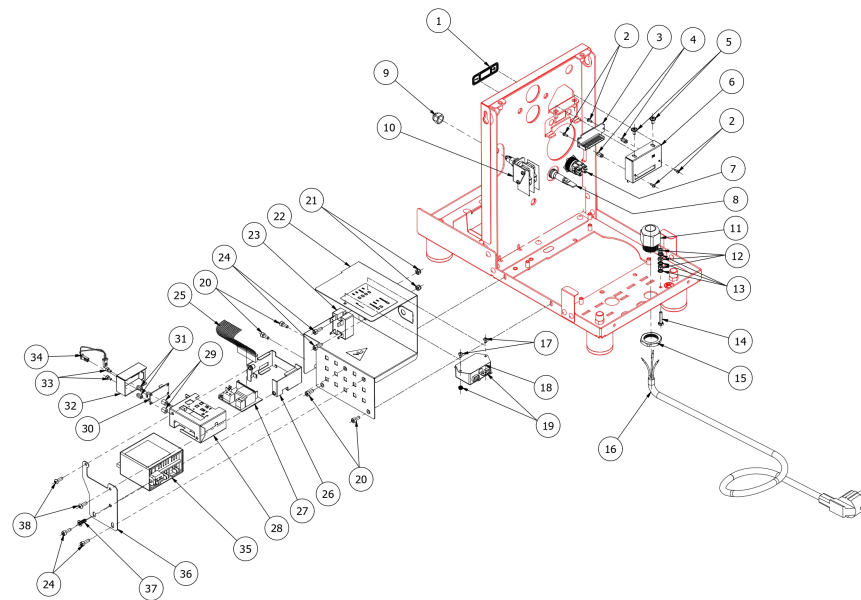
TABLE 7A  
ARIA TOP

TABLE 7B  
ARIA FAST HEATING

| POS | CODE       | DESCRIPTION                              |
|-----|------------|--|
| 1   | 5370046    | PLEXIGLASS H3 TERMOPID FAST HEATING      |
| 2   | 5661508    | STAINLESS STEEL THERMOPID DISPLAY BUTTON |
| 3   | 7374016    | SCREW TC M2.5X6                          |
| 4   | 7665544    | TPID DISPLAY CARD WHITE (PR)             |
| 5   | 5191518    | PLASTIC SPACER M2.5X10                   |
| 6   | 7816009    | SCREW TCEI M4X10 UNI 5931A2              |
| 7   | 5053074LW  | COVER TPID PROELIND FAST HEATIN          |
| 8   | 7633354SG  | SWITCH 230V ON/OFF                       |
| 8   | 7633355SG  | SWITCH 110V ON/OFF                       |
| 9   | 7633357SG  | INTERR.ANTIV.230V QN22-L FAST HEAT       |
| 9   | 7633358SG  | INTERR.ANTIV.110V QN22-L FAST HEAT       |
| 10  | 7633628    | WHITE LAMP                               |
| 11  | 7614007    | FAIRLEAD WITH HOLE RUBBER                |
| 12  | 7822603    | NUT M4 OT                                |
| 13  | 7814001    | WASHER D4 DIN 6798A A2                   |
| 14  | 7826411    | SCREW TE M4X20 UNI5739 OT                |
| 15  | 7614006    | NUT PG13.5                               |
| 16  | 7552001    | ELECTRIC CABLE WITH AUSTRALIAN PLUG      |
| 16  | 7555003    | SWISS PLUG CABLE H05VV-F 3X1,5 10A       |
| 16  | 7551001    | ELECTRIC CABLE WITH USA PLUG L=1.5M      |
| 16  | 7555001    | ELECTRIC CABLE WITH SHUKO PLUG           |
| 16  | 7554001    | ELECTRIC CABLE WITH ENGLISH PLUG         |
| 17  | 7809809    | PLASTIC SCREW TCI M3X5 DIN7985           |
| 18  | 7663007    | ANTI-RIST FILTER 0.1MF (X2) SH           |
| 19  | 7822602    | NUT M3 OT                                |
| 20  | 5221875CM  | NUT M10X0,75                             |
| 21  | 7633910.01 | MICRO SWITCH 2 POLIES W/WEEL             |
| 22  | 7812401    | NUT M4 UNI7473 A2 AUTO BLOCK             |
| 23  | 7635627    | RELAIS SSR COMPACT                       |
| 24  | 7816002    | SCREW TCEI M4X12 UNI 5931 A2             |

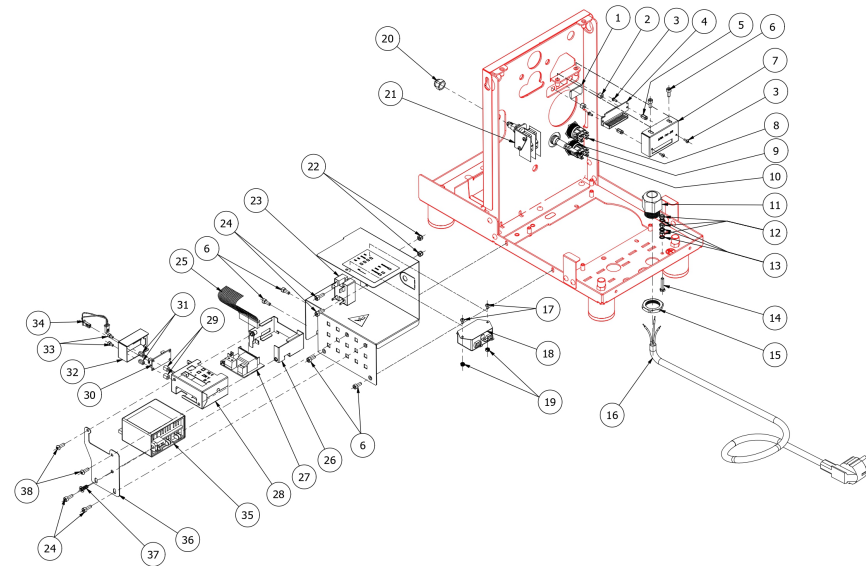
TABLE 7B  
ARIA FAST HEATING

TABLE 7B  
ARIA FAST HEATING

| POS | CODE        | DESCRIPTION                          |
|-----|-------------|--------------------------------------|
| 25  | 7663640     | CABLE 15 VIE FEMALE L.320MM          |
| 26  | 5058513LL   | SUPPORT PID CARD W/COMPASSES         |
| 27  | 7434026.03  | THERMOSTAT TPID 110V W/DISPLAY (PR)  |
| 27  | 7434027.03  | THERMOSTAT TPID 230/240V W/DISP (PR) |
| 28  | 5343104     | PID COMPLETE COVER                   |
| 29  | 5191513     | SPACER NYLON 66 L=7 MM               |
| 30  | 7665545     | OPTO TIMER BOARD (PR)                |
| 31  | 7639915     | PLASTIC SPACER M3X8                  |
| 32  | 5053061LW   | COVER OPTO TIMER (PR)                |
| 33  | 7816016     | SCREW TCEI M3X6                      |
| 34  | 7663641     | CONNECTION CABLE CARD                |
| 35  | 7661007.01R | CONTROL UNIT 220/240V 50/60HZ        |
| 35  | 7661006.01R | LEVEL REGULATOR 100/120V 50/60HZ     |
| 36  | 5058710     | SUPPORT                              |
| 37  | 7819404     | TAPPING SCREW TPS D2.9X9.5 UNI 6952  |
| 38  | 7819901     | SCREW TBEI M4X12 ISO 7380 A2 INOX    |

TABLE 7B  
ARIA FAST HEATING

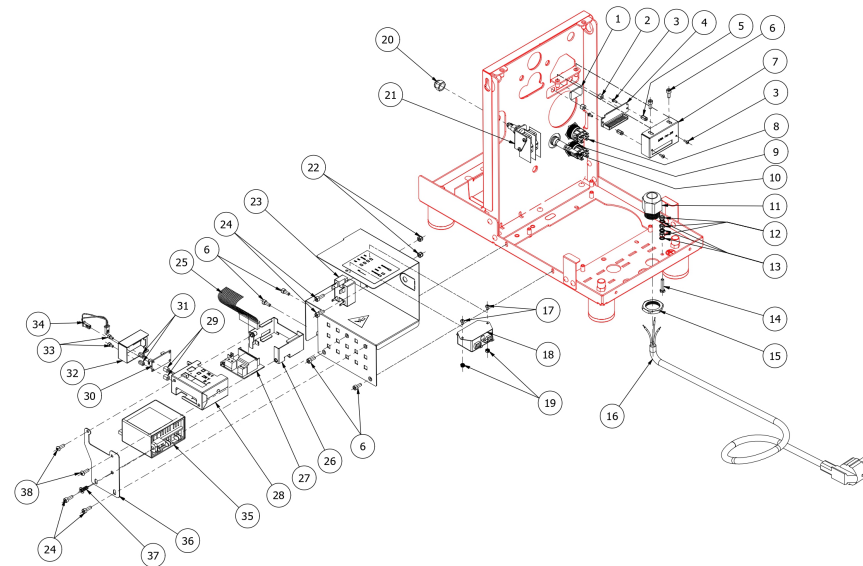


TABLE 8  
ARIA

| POS | CODE         | DESCRIPTION                         |
|-----|--------------|-------------------------------------|
| 1   | 5302017AL    | FITTING M12 ES16 H26.5 OT57USA      |
| 2   | 5471505      | CALIBRATED SPRING D0.45 H22 AISI302 |
| 3   | 5224615AL    | GASKET-HOLDER SURP.VALVE OT57USA    |
| 4   | 7496018      | OR GASKET 105                       |
| 5   | 5283053TP    | SURPRESSION VALVE BODY              |
| 6   | 5471019      | FILTER D8,5X5 AISI304               |
| 7   | 5493042      | GASKET D.11X3                       |
| 8   | 5224620AL    | GASKET-HOLDER ES.12X6.8 OT57USA     |
| 9   | 5471539      | CALIBRATED SPRING D.1,6             |
| 10  | 7496052      | OR GASKET 114 VITON                 |
| 11  | 5302077AL    | FITTING PORT.M14X1 OTXTUBO6X4 OT57U |
| 12  | 5965212.01AL | ASSY OPV ADJUST. 9/12 BAR           |

TABLE 8  
ARIA

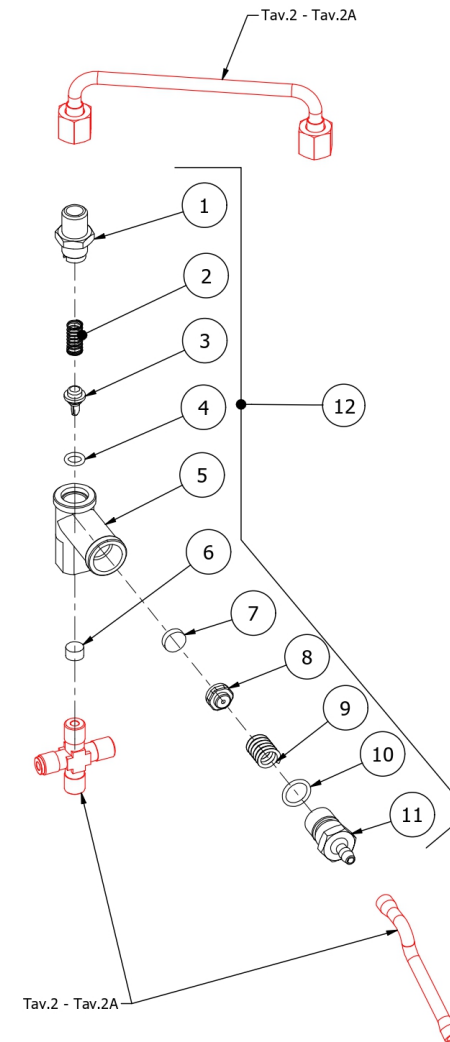
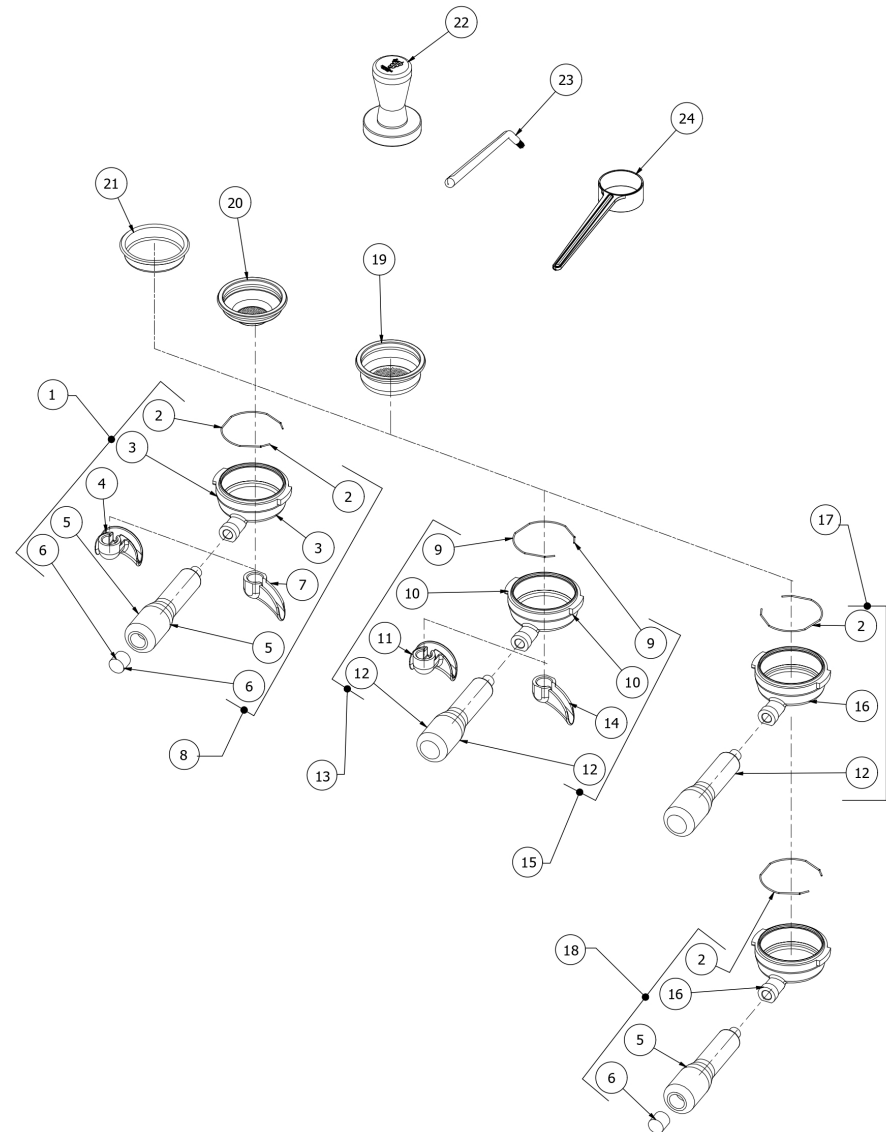


TABLE 9  
ARIA

| POS | CODE         | DESCRIPTION                         |
|-----|--------------|-------------------------------------|
| 1   | 5965611R     | ASSEMBLY FILTER-HOLDER 2 CUPS E61   |
| 2   | 5471527      | FILTER-HOLDER SPRING D1.2 AISI 302  |
| 3   | 7479972.01TW | RETRO FILTER-HOLDER ONLY HANDLE     |
| 4   | 7305007TW    | SPOUT 2 WAYS WITHOUT PB+PWP         |
| 5   | 7371502      | FILTER-HOLDER KNOB                  |
| 6   | 5373915CM    | FILTER-HOLDER PLUG D16.5            |
| 7   | 7305006TW    | SPOUT 1 WAY S/PB+PWP                |
| 8   | 5965610R     | ASSEMBLY FILTER-HOLDER 1 CUP E61    |
| 9   | 5471527      | FILTER-HOLDER SPRING D1.2 AISI 302  |
| 10  | 7479972.01TW | RETRO FILTER-HOLDER ONLY HANDLE     |
| 11  | 7305007TW    | SPOUT 2 WAYS WITHOUT PB+PWP         |
| 12  | 7371520.01   | WOODEN FILTER-HOLDER HANDLE         |
| 13  | 5965629.01R  | ASSY FILTER-HOLDER E61 2CUPS WOOD   |
| 14  | 7305006TW    | SPOUT 1 WAY S/PB+PWP                |
| 15  | 5965630.01R  | ASSY FILTER-HOLDER E61 1CUP 80°     |
| 16  | 5286015.01TW | FILTERHOLDER E61 GROUP D59 NO NI-PB |
| 17  | 5965635.01R  | ASSY PORTAF.E61 FORATO (LEGNO) (R)  |
| 18  | 5965616.01R  | ASSY PORTAF.E61 FORATO UNICA (R)    |
| 19  | 5471035      | FILTER 2 CUPS 20 GRAMS              |
| 20  | 5471031.01   | FILTER 1 CUP 10 GRAMS               |
| 21  | 5471038      | BLIND FILTER AISI304                |
| 22  | 5963289AN    | PRESSACAFFE C/MANICO NERO C/SACCHET |
| 23  | 7990603      | CLEANING BRUSH FOR COFFEE MACHINE   |
| 24  | 5372101      | BLACK MEASURE                       |

TABLE 9  
ARIA





G.BEZZERA S.R.L.  
MACCHINE PER CAFFE' ESPRESSO  
Via Luigi Bezzera,1  
20088 Rosate - Milano - Italy  
Tel. +39 02 90848102 r.a.  
Web: [www.bezzera.com](http://www.bezzera.com)  
e-mail: [admin@bezzera.it](mailto:admin@bezzera.it)