



ARIA

COD. 9942075

REV. 01 ed.06/26



BEZZERA

ARIA

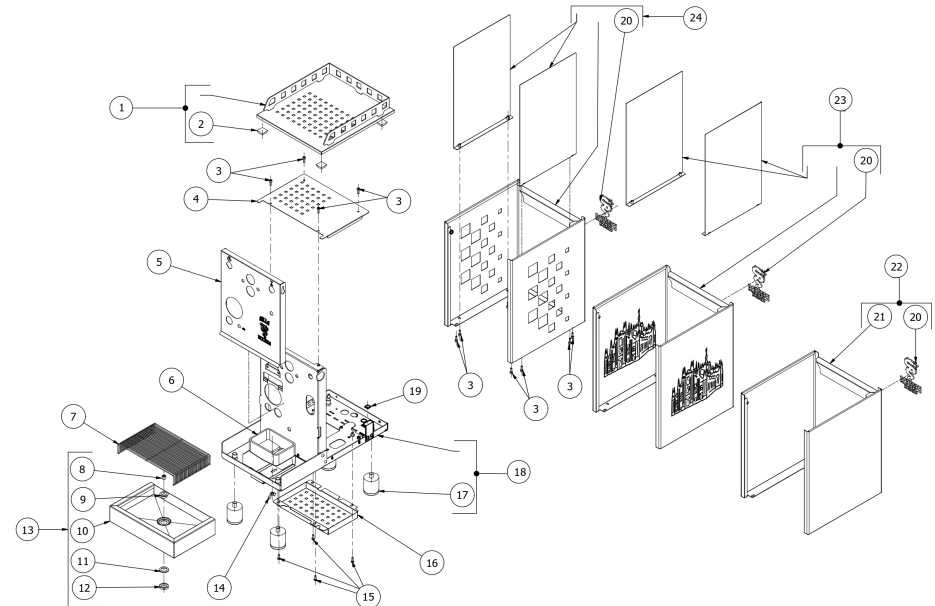
TABLE 1
ARIA S

POS	CODE	DESCRIPTION
1	5961841	ASSY CUPS-HEATER ARIA
2	7474212	ADHESIVE FEET
3	7819901	SCREW TBEI M4X12 ISO 7380 A2 INOX
4	5056357LW	CUPS-HEATER
5	5074925SG1	ARIA FRONTAL GROUP
6	5373602.01	DRAIN PAN WITH SCREW M6 NYLON BLACK
7	5261018	WIRED DISCHARGE GRID
8	7823001TP	HEADLESS SCREW 1/8
9	5225230NC	FITTING 3/8" G NICKEL
10	5340543	WHITE COMPLETE TRAY W/HOLE
10	5340510LL	COMPLETE TRAY W/HOLE
10	5340544	RED COMPLETE TRAY W/HOLE
10	5340542	BLACK COMPLETE TRAY W/HOLE
11	5492022	GASKET D25 X 17 X 2 ASBESTOS FREE
12	5221826CM	NUT 3/8
13	5968138.01	ASSY TRAY SERIES SMALL WITH/DRAIN
13	5968139.01	ASSY TRAY SERIES SMALL
13	5968140.01	SMALL SERIES TRAY ASSY WITH RED
13	5968137.01	ASSY TRAY SMALL SERIES C/DRAIN
14	7819909	NUT M6 INOX BUTTERFLY
15	7819901	SCREW TBEI M4X12 ISO 7380 A2 INOX
16	5053053VN	BLACK FRAME BASE COVER
16	5053053LW	FRAME BASE COVER
17	7474218VN	FOOT M10 D40X46 MATT BLACK
17	7474218	FEET M10 D40X46
18	5964763.01	ASSY FRAME ARIA CLASSIC VIBR.PUMP
18	5964755.01	ASSY FRAME VIBRATION PUMP
19	7474221	SQUARE FOOT
20	5522523	BEZZERA LABEL + LOGO BLACK
21	5054202LL1	GLOSS WHITE BODY WITH COMPASSES

BEZZERA

ARIA

TABLE 1
ARIA S



BEZZERA

ARIA

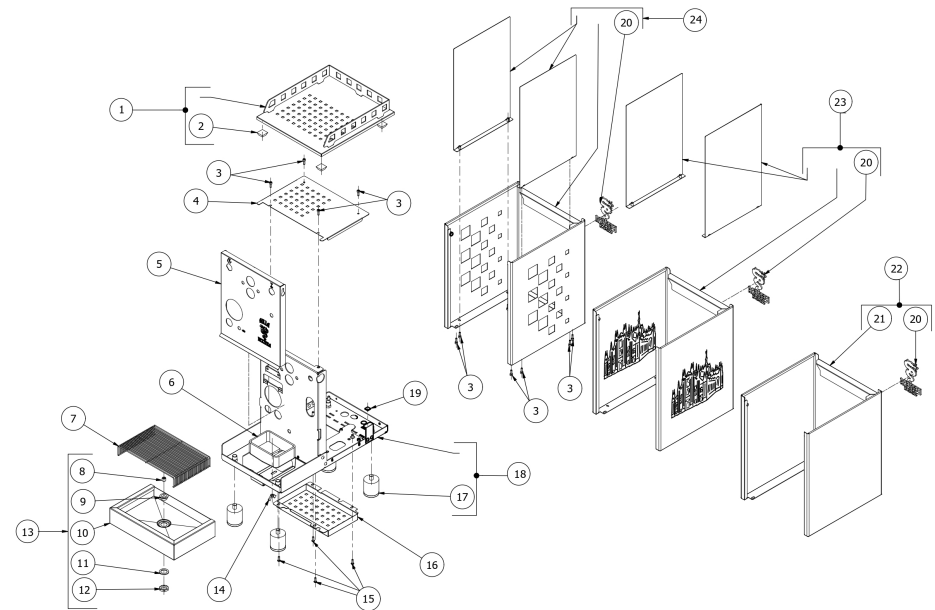
TABLE 1
ARIA S

POS	CODE	DESCRIPTION
21	5054202LL2	GLOSS RED BODY WITH COMPASSES
21	5071733LL	BODY STAINLESS STEEL POLISHED
21	5054202LL3	MATT BLACK BODY WITH COMPASSES
22	5054202LL1R1	ARIA WHITE BODY W/COMPASS + LOGO
22	5071733LLR1	MIRROR BODYWORK W/LOGO + COMPASSES
22	5054202LL3R1	ARIA MATT BLACK BODY W/COMPASSES +
22	5054202LL2R1	ARIA GLOSS RED BODY W/COMPASSES +
23	5051715LL1R	BODY WHITE+CATHEDRAL W/COMP. + LOGO
23	5051715LLR	BODY MATT BLACK+CATHEDRAL W/COMP. + LOGO
23	5051715LL2R	BODY RED+CATHEDRAL W/COMP. + LOGO
24	5051712LL2R	BODY RED+SQUARES W/COMP.+LOGO
24	5051712LL1R	BODY WHITE+SQUARES W/COMP.+LOGO
24	5071738LLR	BODY S/S MIRROR+SQUARES W/COMP.+LOGO
24	5051712LLR	BODY MATT BLACK+SQUARES W/COMP.+LOGO

BEZZERA

ARIA

TABLE 1
ARIA S



BEZZERA

ARIA

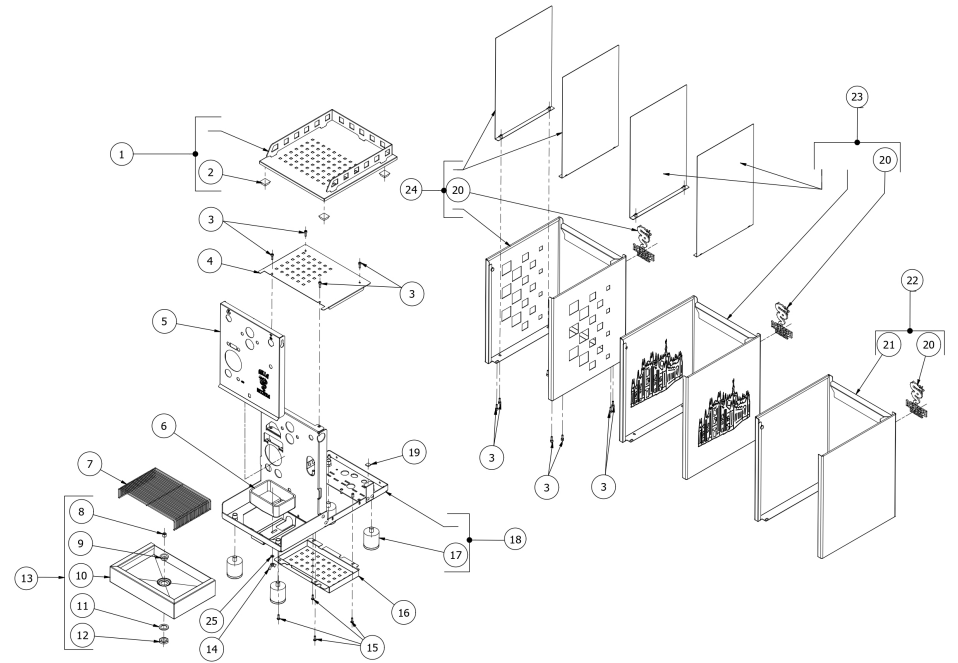
TABLE 1A
ARIA TOP

POS	CODE	DESCRIPTION
1	5961841	ASSY CUPS-HEATER ARIA
2	7474212	ADHESIVE FEET
3	7819901	SCREW TBEI M4X12 ISO 7380 A2 INOX
4	5056357LW	CUPS-HEATER
5	5074926SG	ARIA PID FRONTAL GROUP
6	5373602.01	DRAIN PAN WITH SCREW M6 NYLON BLACK
7	5261018	WIRED DISCHARGE GRID
8	7823001TP	HEADLESS SCREW 1/8
9	5225230NC	FITTING 3/8"G NICKEL
10	5340544	RED COMPLETE TRAY W/HOLE
10	5340543	WHITE COMPLETE TRAY W/HOLE
10	5340542	BLACK COMPLETE TRAY W/HOLE
10	5340510LL	COMPLETE TRAY W/HOLE
11	5492022	GASKET D25 X 17 X 2 ASBESTOS FREE
12	5221826CM	NUT 3/8
13	5968138.01	ASSY TRAY SERIES SMALL WITH/DRAIN
13	5968139.01	ASSY TRAY SERIES SMALL
13	5968140.01	SMALL SERIES TRAY ASSY WITH RED
13	5968137.01	ASSY TRAY SMALL SERIES C/DRAIN
14	7819909	NUT M6 INOX BUTTERFLY
15	7819901	SCREW TBEI M4X12 ISO 7380 A2 INOX
16	5053053LW	FRAME BASE COVER
17	7474218VN	FOOT M10 D40X46 MATT BLACK
17	7474218	FEET M10 D40X46
18	5964748.01	ASSY FRAME ARIA PID
18	5964761.01	ASSY FRAME ARIA CLASSIC PID
19	7474221	SQUARE FOOT
20	5522523	BEZZERA LABEL + LOGO BLACK
21	5071733LL	BODY STAINLESS STEEL POLISHED
21	5054202LL2	GLOSS RED BODY WITH COMPASSES

BEZZERA

ARIA

TABLE 1A
ARIA TOP



BEZZERA

ARIA

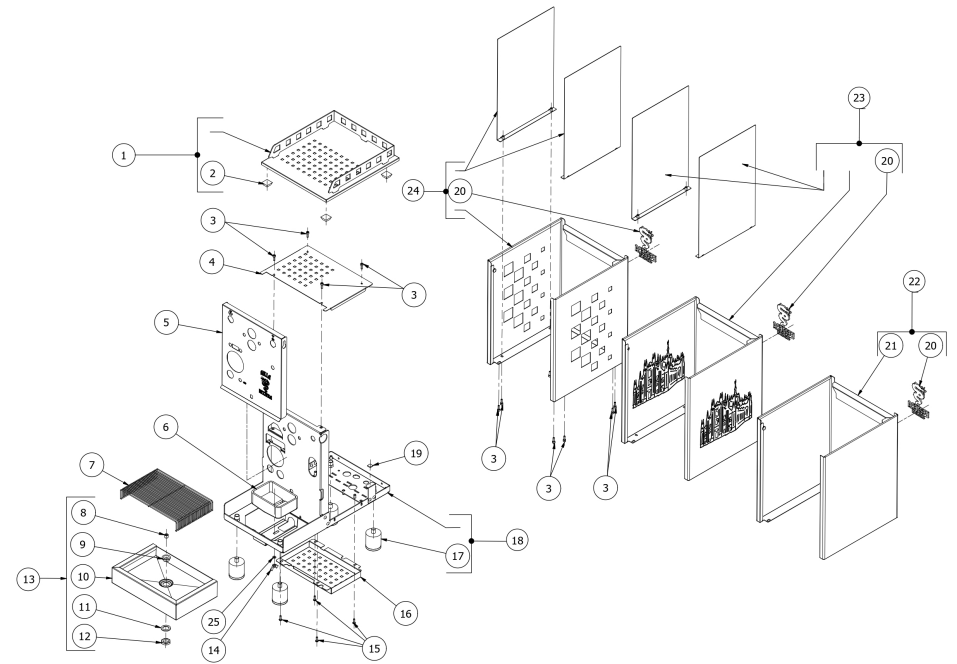
TABLE 1A
ARIA TOP

POS	CODE	DESCRIPTION
21	5054202LL1	GLOSS WHITE BODY WITH COMPASSES
21	5054202LL3	MATT BLACK BODY WITH COMPASSES
22	5071733LLR1	ARIA STAINLESS STEEL BODY
22	5054202LL1R1	ARIA WHITE BODY W/COMPASS + LOGO
22	5054202LL3R1	ARIA MATT BLACK BODY W/COMPASSES +
22	5054202LL2R1	ARIA GLOSS RED BODY W/COMPASSES +
23	5051715LLR	BODY MATT BLACK+CATHEDRAL W/COMP. + LOGO
23	5051715LL2R	BODY RED+CATHEDRAL W/COMP. + LOGO
23	5051715LL1R	BODY WHITE+CATHEDRAL W/COMP. + LOGO
24	5071738LLR	BODY S/S MIRROR+SQUARES W/COMP.+LOGO
24	5051712LLR	BODY MATT BLACK+SQUARES W/COMP.+LOGO
24	5051712LL2R	BODY RED+SQUARES W/COMP.+LOGO
24	5051712LL1R	BODY WHITE+SQUARES W/COMP.+LOGO
25	7492004	GASKET D8.5 X 4.2 X 1.5

BEZZERA

ARIA

TABLE 1A
ARIA TOP



BEZZERA

ARIA

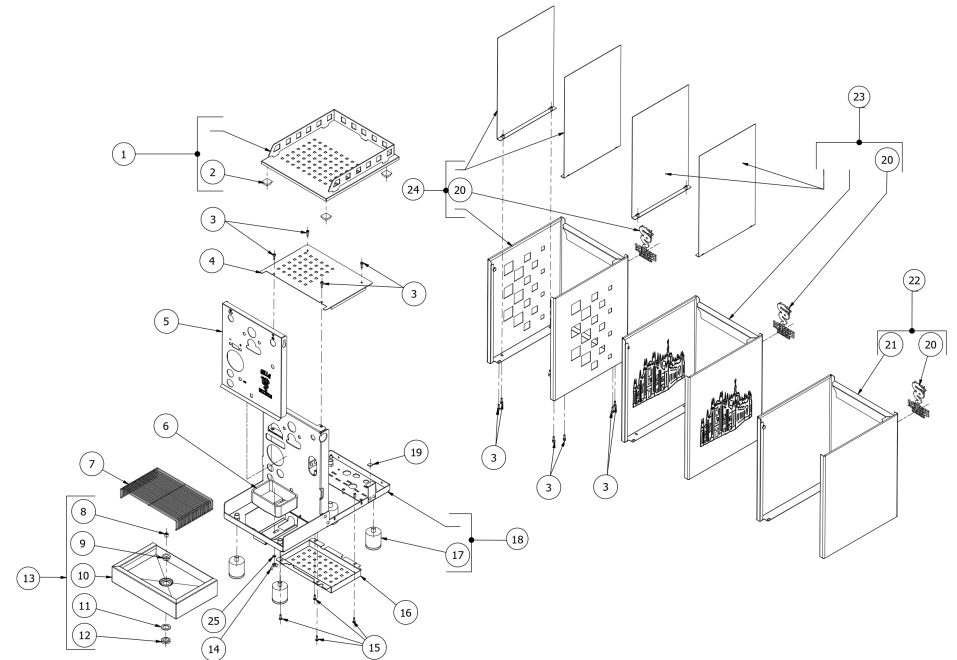
TABLE 1B
ARIA FAST HEATING

POS	CODE	DESCRIPTION
1	5961841	ASSY CUPS-HEATER ARIA
2	7474212	ADHESIVE FEET
3	7819901	SCREW TBEI M4X12 ISO 7380 A2 INOX
4	5056357LW	CUPS-HEATER
5	5074945SG	ARIA PID FAST-HEATING FRONTAL GROUP
6	5373602.01	DRAIN PAN WITH SCREW M6 NYLON BLACK
7	5261018	WIRED DISCHARGE GRID
8	7823001TP	HEADLESS SCREW 1/8
9	5225230NC	FITTING 3/8" G NICKEL
10	5340544	RED COMPLETE TRAY W/HOLE
10	5340543	WHITE COMPLETE TRAY W/HOLE
10	5340542	BLACK COMPLETE TRAY W/HOLE
10	5340510LL	COMPLETE TRAY W/HOLE
11	5492022	GASKET D25 X 17 X 2 ASBESTOS FREE
12	5221826CM	NUT 3/8
13	5968138.01	ASSY TRAY SERIES SMALL WITH/DRAIN
13	5968139.01	ASSY TRAY SERIES SMALL
13	5968140.01	SMALL SERIES TRAY ASSY WITH RED
13	5968137.01	ASSY TRAY SMALL SERIES C/DRAIN
14	7819909	NUT M6 INOX BUTTERFLY
15	7819901	SCREW TBEI M4X12 ISO 7380 A2 INOX
16	5053053LW	FRAME BASE COVER
17	7474218VN	FOOT M10 D40X46 MATT BLACK
18	5964748.02	ASSY FRAME ARIA PID FAST HEATING
19	7474221	SQUARE FOOT
20	5522523	BEZZERA LABEL + LOGO BLACK
21	5071733LL	BODY STAINLESS STEEL POLISHED
21	5054202LL2	GLOSS RED BODY WITH COMPASSES
21	5054202LL1	GLOSS WHITE BODY WITH COMPASSES
21	5054202LL3	MATT BLACK BODY WITH COMPASSES

BEZZERA

ARIA

TABLE 1B
ARIA FAST HEATING



BEZZERA**ARIA**TABLE 1B
ARIA FAST HEATING

POS	CODE	DESCRIPTION
22	5071733LLR1	ARIA STAINLESS STEEL BODY
22	5054202LL1R1	ARIA WHITE BODY W/COMPASS + LOGO
22	5054202LL3R1	ARIA MATT BLACK BODY W/COMPASSES +
22	5054202LL2R1	ARIA GLOSS RED BODY W/COMPASSES +
23	5051715LLR	BODY MATT BLACK+CATHEDRAL W/COMP. + LOGO
23	5051715LL2R	BODY RED+CATHEDRAL W/COMP. + LOGO
23	5051715LL1R	BODY WHITE+CATHEDRAL W/COMP. + LOGO
24	5051712LL1R	BODY WHITE+SQUARES W/COMP.+LOGO
24	5071738LLR	BODY S/S MIRROR+SQUARES W/COMP.+LOGO
24	5051712LL2R	BODY RED+SQUARES W/COMP.+LOGO
24	5051712LLR	BODY MATT BLACK+SQUARES W/COMP.+LOGO
25	7492004	GASKET D8.5 X 4.2 X 1.5

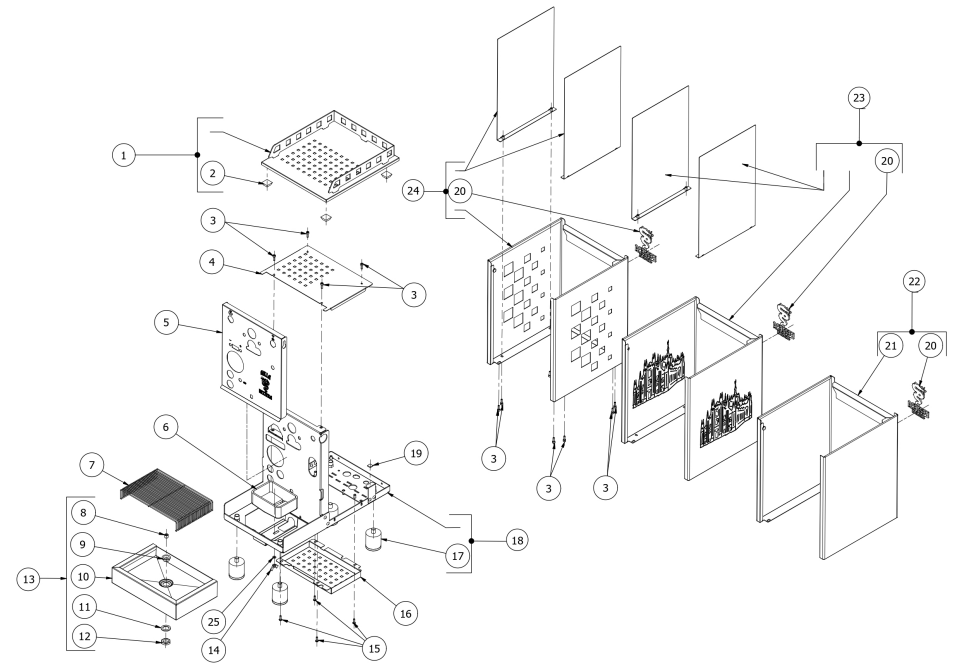
BEZZERA**ARIA**TABLE 1B
ARIA FAST HEATING

TABLE 2
ARIA S

POS	CODE	DESCRIPTION
1	7400909	PUMP CAPILLARY
2	5194639	TUBE PTFE 4X200
3	7304539TR	FITTING
4	7304545TR	CROSS FITTING 1/8
5	7701123.01	EV.2 WAY 110V 25BAR SMALL COIL
5	7702415.01	EV.2 WAY 240V 25BAR SMALL COIL
5	7702322.01	EV.2WAY OLAB 220/230V 25BAR SMALL
6	5965212.01AL	ASSY OPV ADJUST. 9/12 BAR
7	5223003	JET M6 X 6 HOLE D0.8 OT
8	5162502.01LL	LOAD EXCHANGER PIPE
9	5162501.01LL	LOAD BOILER PIPE
10	5301504AL	ELBOW FITTING M12X1/8
11	7432524.03	PRESSURE GAUCE D60 DOUBLE SCALE
12	5194591	SILICON PIPE D6X4 L=550
13	7304507TR	UNION ELBOW 1/8

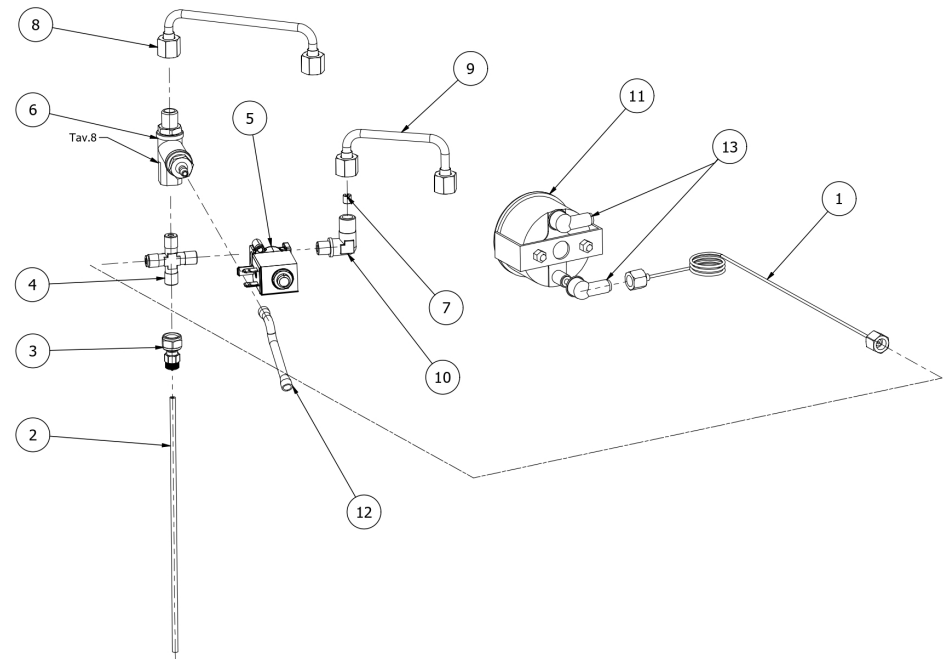
TABLE 2
ARIA S

TABLE 2A
ARIA TOP

POS	CODE	DESCRIPTION
1	7400909	PUMP CAPILLARY
2	5194690	PTFE PIPE 6X440
3	7304538TR	FITTING
4	7304545TR	CROSS FITTING 1/8
5	7702415.01	EV.2 WAY 240V 25BAR SMALL COIL
5	7701123.01	EV.2 WAY 110V 25BAR SMALL COIL
5	7702322.01	EV.2WAY OLAB 220/230V 25BAR SMALL
6	5965212.01AL	ASSY OPV ADJUST. 9/12 BAR
7	5223003	JET M6 X 6 HOLE D0.8 OT
8	5162502.01LL	LOAD EXCHANGER PIPE
9	5162501.01LL	LOAD BOILER PIPE
10	5301504AL	ELBOW FITTING M12X1/8
11	7432524.03	PRESSURE GAUCE D60 DOUBLE SCALE
12	5194547	SILICON PIPE 8X5X150
13	7304507TR	UNION ELBOW 1/8

TABLE 2A
ARIA TOP

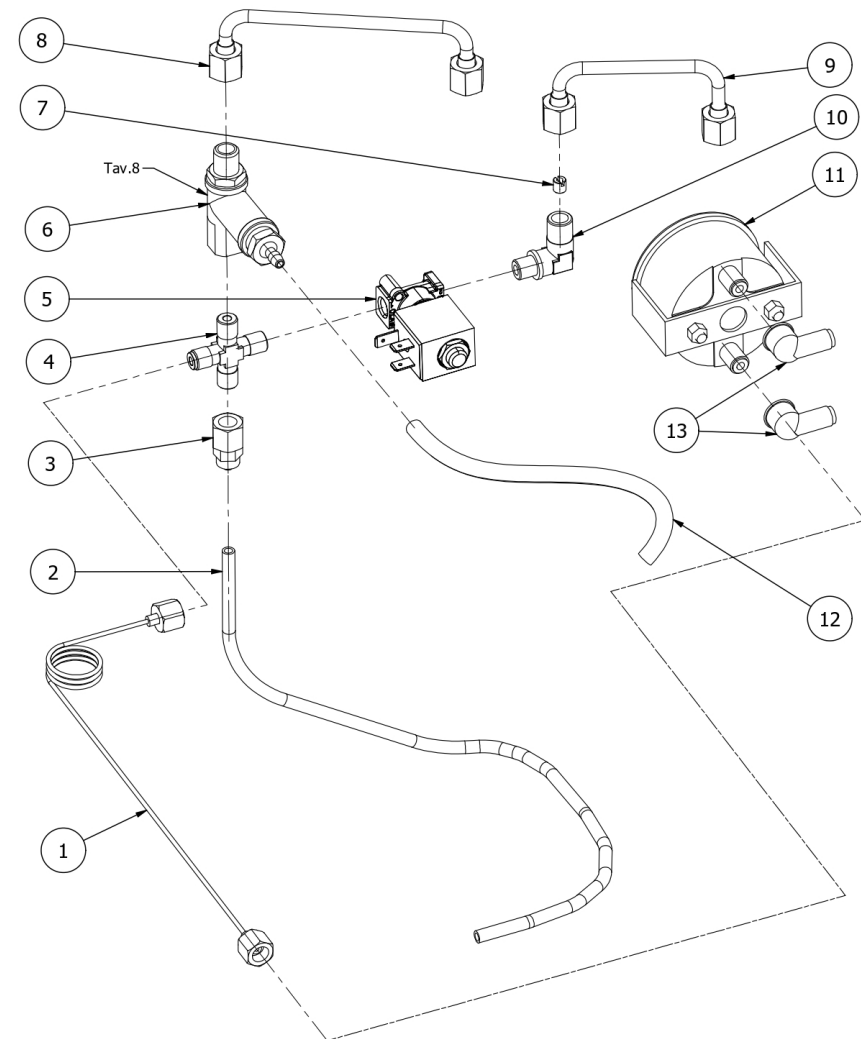


TABLE 2B
ARIA FAST HEATING

POS	CODE	DESCRIPTION
1	7400909	PUMP CAPILLARY
2	5194690	PTFE PIPE 6X440
3	7304538TR	FITTING
4	7304545TR	CROSS FITTING 1/8
5	7702322.01	EV.2WAY OLAB 220/230V 25BAR SMALL
5	7701123.01	EV.2 WAY 110V 25BAR SMALL COIL
6	5965212.01AL	ASSY OPV ADJUST. 9/12 BAR
7	5223003	JET M6 X 6 HOLE D0.8 OT
8	5162502.02LL	LOAD EXCHANGER PIPE
9	5162501.01LL	LOAD BOILER PIPE
10	5301504AL	ELBOW FITTING M12X1/8
11	7432524.03	PRESSURE GAUCE D60 DOUBLE SCALE
12	5194547	SILICON PIPE 8X5X150
13	7304507TR	UNION ELBOW 1/8

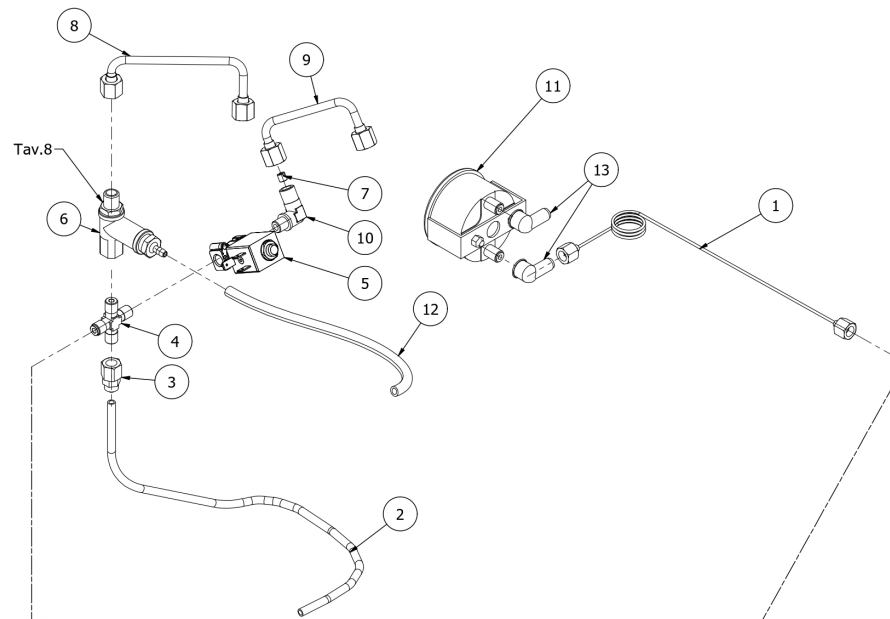
TABLE 2B
ARIA FAST HEATING

TABLE 3
ARIA

POS	CODE	DESCRIPTION
1	7372004	WOODEN KNOB
1	7371511.01	BLACK LEVER KNOB I.622/40-M8
2	5262801.01	FERRULE 3/8" G H17 STAINLESS STEEL
3	5221826CM	NUT 3/8
4	5225610	ARTICULATED JOINT M8
5	5260204DL	SHAFT D12X47 AISI303 POLISH
6	5471513	SPRING D8 H17 AISI302
7	5261801	WASHER D11
8	5283066TW	BODY TAP 3/8
9	5496042	GASKET D11X4X4 EPT 70
10	5494004	GASKET D12 X 6 PTFE GRAPHITIZED
11	5224603AL	GASKET HOLDER D12X12 OT57USA
13	5494021	NUT GASKET PTFE H=1,5
14	5190501	CUP FOR FITTING PTFE/GLASS
15	5471532.01	SPRING FOR ARTICULATION
16	7496052	OR GASKET 114 VITON
17	7814201	WASHER 14 DIN6798J A2
18	5225416.01AL	FITTING M14XM13 ES19 H31 WITHOUT OR
19	5966575	STEAM PIPE 45°
20	5966576	WATER PIPE 45°
21	5226601TW	WATER HOSE TERMINAL
22	5964109.01	ASSY LEVER TAP+WATER PIPE 45°
22	5964112.01	ASSY WATER LEVER TAP 45° WOOD
23	5964111.01	ASSY LEVER STEAM TAP (WOOD)
23	5964110.01	ASSY LEVER TAP+STEAM PIPE 45°

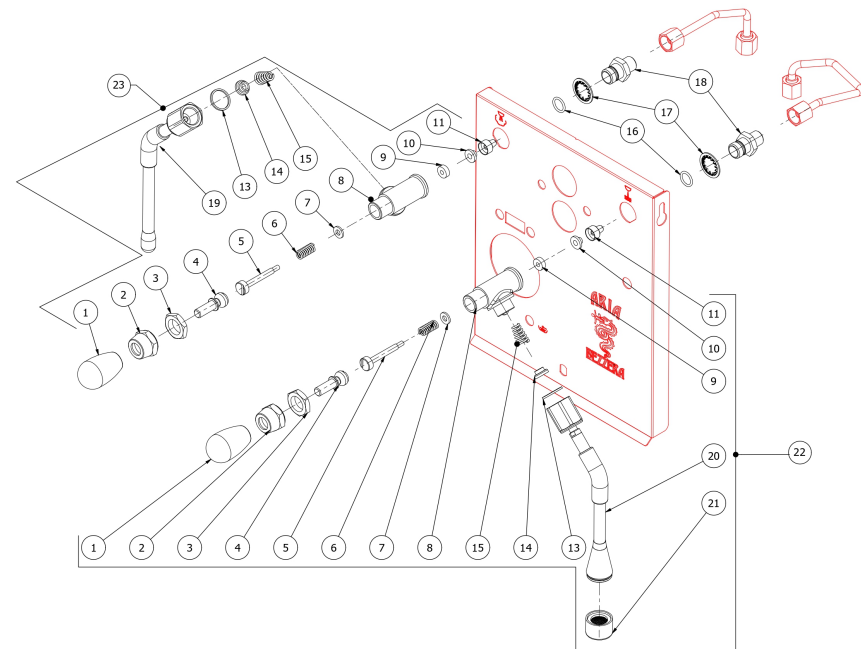
TABLE 3
ARIA

TABLE 4
ARIA S

POS	CODE	DESCRIPTION
1	7479933.01	INJECTOR 0,7 UPPER SLEEVE ASSY
2	7479952DL	UPPER ASSY PLUG
3	7372004	WOODEN KNOB
3	7371511.01	BLACK LEVER KNOB I.622/40-M8
9	7479953	GASKET TF 22X17X2
10	7479954	INOX FILTER D.8,5X22
11	7479955.01	INJECTOR CH7X9 M6X0.75 HOLE 0.7
13	7479956.01	UPPER SLEEVE ASSY
14	7479934	GASKET OR 128 VITON
15	7479935	GASKET TF Ø35X30X2
16	7479936	DELIVERY VALVE SPRING
17	7479937	DELIVERY VALVE ASSY
18	7479941	SPRAYER D.30
19	5471022	INOX SHOWER FILTER
20	5493039	GASKET H8 E61 GROUP
21	7479946	ASSEMBLY VALVE
22	7479942	SPRING GUIDE BUSHING
23	7479957	LOWER SLEEVE ASSY
24	7479943	ASSEMBLY RELIEF VALVE
25	7479944	DRAIN SPRING
26	7479945	JET-BREAKER BUSHING Ø15X6
27	7479960	GASKET TF D26x21x2
28	7479961	GROUP BOTTOM FITTING
29	7479950	GROUND CAMS TREE
30	7479951	CAMS LOCK STUD
31	7479967	CAM FLANGE
32	7479968	WASHER EP079 15.5X7.5X4
33	7479969	BUSHING
34	7479970	SPRING
35	7479971	PLUG CHROMED

TABLE 4
ARIA S

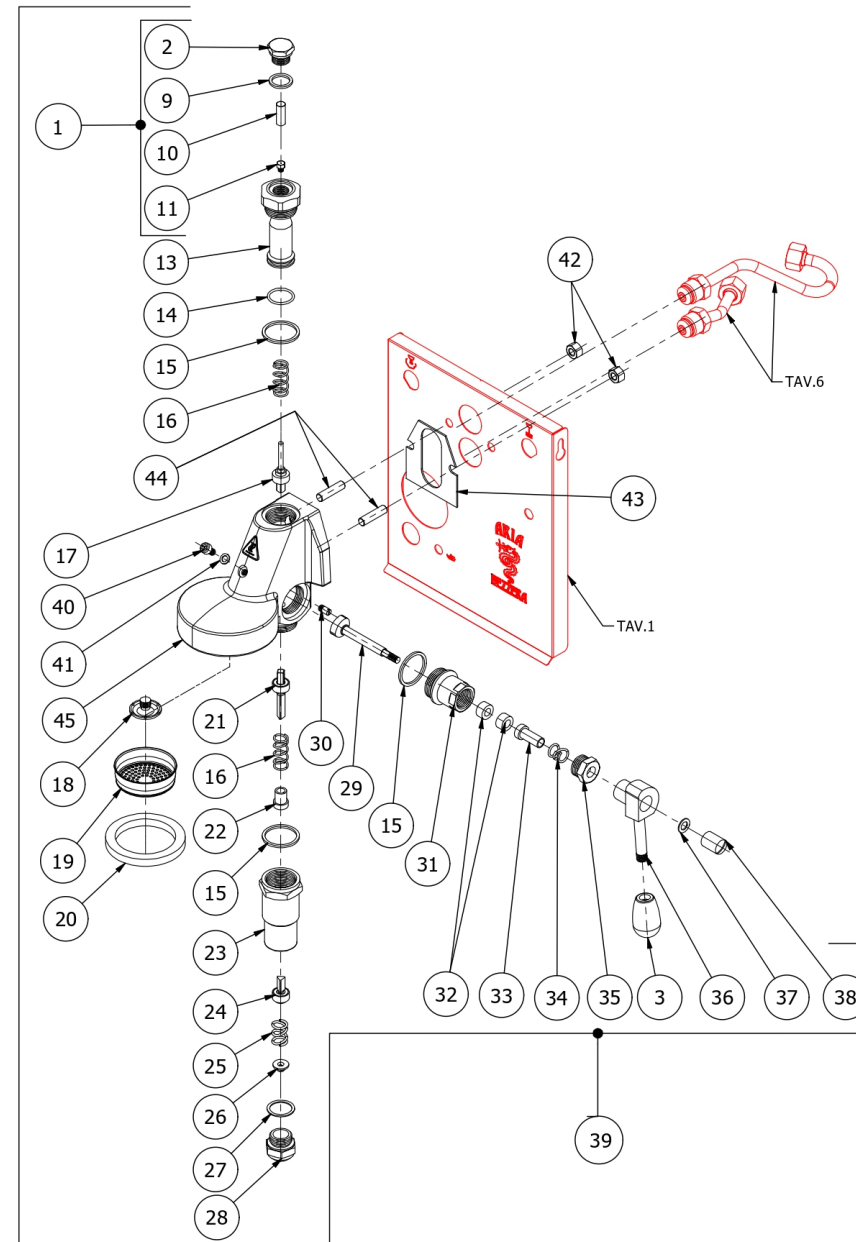


TABLE 4
ARIA S

POS	CODE	DESCRIPTION
36	7479931	DELIVERY LEVER
37	7479947	WASHER D8
38	7479948	CAP D15XM6
39	5963545.02R	ASSY GROUP E61 OT57
39	5963576.01R	ASSY E61 GROUP OT57 (WOOD)
40	7479939	SCREW TCE M6X8
41	7479938	GASKET TF 10X6X1
42	7811402	NUT M8 UNI5587 A2
43	7493011	INSULATING
44	5267013	TIE ROD M8X31 ASTM A 193 B8 C/1
45	7479940AL	LEVER BODY GROUP CHROMED OT57

TABLE 4
ARIA S

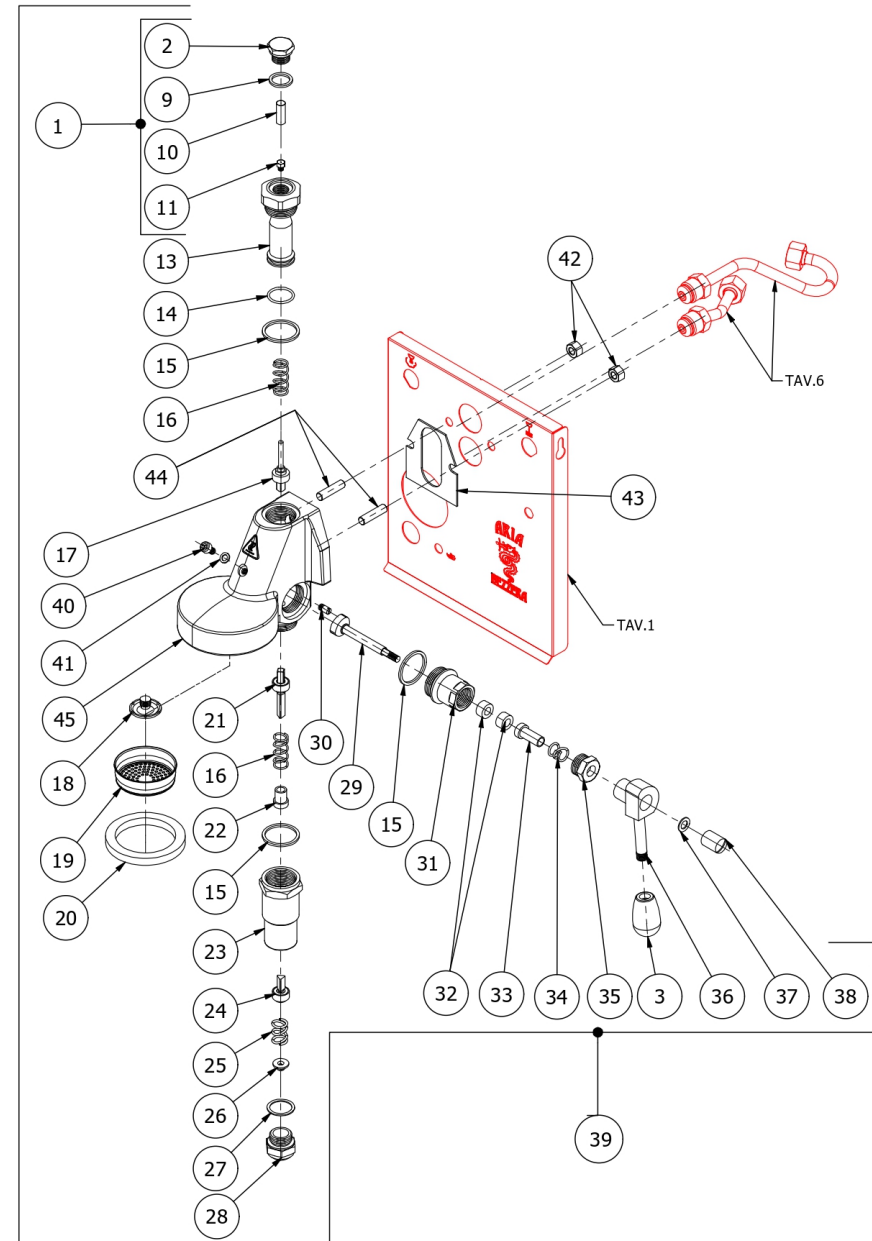


TABLE 4A
ARIA TOP

POS	CODE	DESCRIPTION
1	7809906DL	SCREWS POELIER M8X16 A2 AISI304
2	5075744DL	SQUARES FLOW CONTROL KNOB
3	7371511.01	BLACK LEVER KNOB 1.622/40-M8
3	7372004	WOODEN KNOB
4	7812805	WHEAT EI M4X6 UNI5927 A2
5	5226207	HANDLE STOPPER FLOW CONTROL
6	7473610	ASSY WOODEN HANDLE FLOW CONTROL E61
6	7473609	ASSY PLASTIC HANDLE FLOW CONTROL
9	7479953	GASKET TF 22X17X2
10	7480005	FILTER
11	7480006	INJECTOR
12	5900572.01	ROD, NUT, GASKET, INJECTOR 360°
13	7479956.01	UPPER SLEEVE ASSY
14	7479934	GASKET OR 128 VITON
15	7479935	GASKET TF Ø35X30X2
16	7479936	DELIVERY VALVE SPRING
17	7479937	DELIVERY VALVE ASSY
18	7479941	SPRAYER D.30
19	5493039	GASKET H8 E61 GROUP
20	5471022	INOX SHOWER FILTER
21	7479946	ASSEMBLY VALVE
22	7479942	SPRING GUIDE BUSHING
23	7479957	LOWER SLEEVE ASSY
24	7479943	ASSEMBLY RELIEF VALVE
25	7479944	DRAIN SPRING
26	7479945	JET-BREAKER BUSHING Ø15X6
27	7479960	GASKET TF D26x21x2
28	7479961	GROUP BOTTOM FITTING
29	7479950	GROUND CAMS TREE
30	7479951	CAMS LOCK STUD

TABLE 4A
ARIA TOP

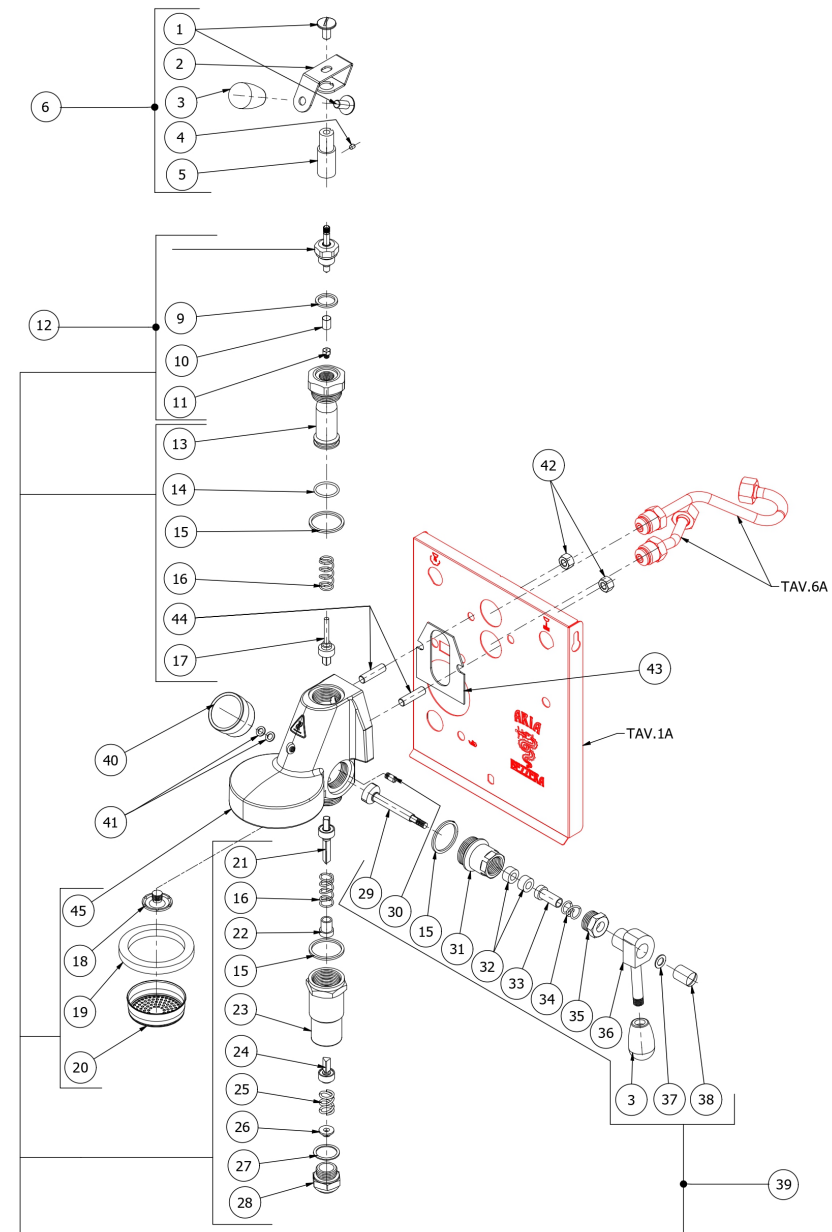


TABLE 4A
ARIA TOP

POS	CODE	DESCRIPTION
31	7479967	CAM FLANGE
32	7479968	WASHER EP079 15.5X7.5X4
33	7479969	BUSHING
34	7479970	SPRING
35	7479971	PLUG CHROMED
36	7479931	DELIVERY LEVER
37	7479947	WASHER D8
38	7479948	CAP D15XM6
39	5963585.01R	ASSY E61 GROUP+FLOW CONTROL WOOD
39	5963584.01R	ASSY E61 GROUP+FLOW CONTROL PLASTIC
40	7432534.01	PRESSURE GAUGE D40 16BAR ITALY
41	7479938	GASKET TF 10X6X1
42	7811402	NUT M8 UNI5587 A2
43	7493011	INSULATING
44	5267013	TIE ROD M8X31 ASTM A 193 B8 C/1
45	7479940AL	LEVER BODY GROUP CHROMED OT57

TABLE 4A
ARIA TOP

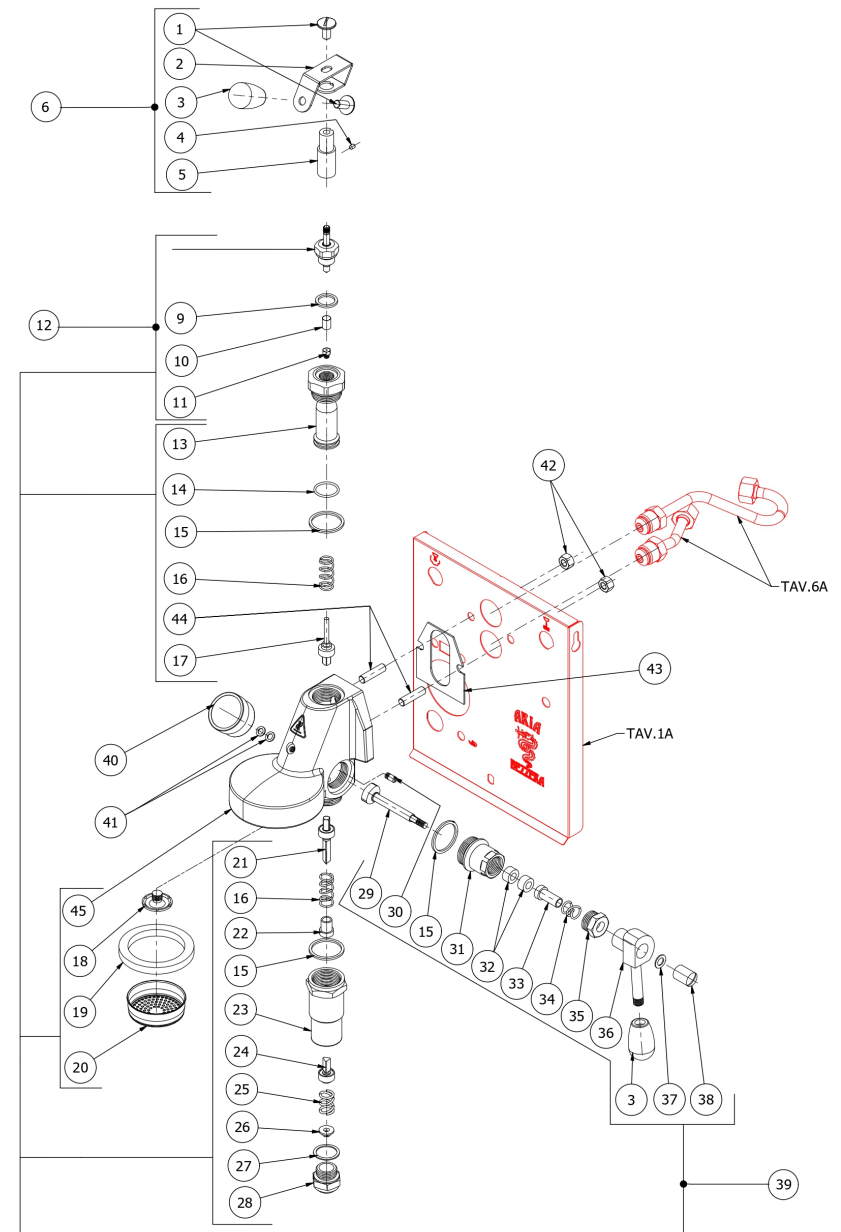


TABLE 4B
ARIA FAST HEATING

POS	CODE	DESCRIPTION
1	7809906DL	SCREWS POELIER M8X16 A2 AISI304
2	5075744DL	SQUARES FLOW CONTROL KNOB
3	7372004	WOODEN KNOB
3	7371511.01	BLACK LEVER KNOB 1.622/40-M8
4	7812805	WHEAT EI M4X6 UNI5927 A2
5	5226207	HANDLE STOPPER FLOW CONTROL
6	7473610	ASSY WOODEN HANDLE FLOW CONTROL E61
6	7473609	ASSY PLASTIC HANDLE FLOW CONTROL
9	7479953	GASKET TF 22X17X2
10	7480005	FILTER
11	7480006	INJECTOR
12	5900572.01	ROD, NUT, GASKET, INJECTOR 360°
13	7479956.01	UPPER SLEEVE ASSY
14	7479934	GASKET OR 128 VITON
15	7479935	GASKET TF Ø35X30X2
16	7479936	DELIVERY VALVE SPRING
17	7479937	DELIVERY VALVE ASSY
18	7479941	SPRAYER D.30
19	5493039	GASKET H8 E61 GROUP
20	5471022	INOX SHOWER FILTER
21	7479946	ASSEMBLY VALVE
22	7479942	SPRING GUIDE BUSHING
23	7479957	LOWER SLEEVE ASSY
24	7479943	ASSEMBLY RELIEF VALVE
25	7479944	DRAIN SPRING
26	7479945	JET-BREAKER BUSHING Ø15X6
27	7479960	GASKET TF D26x21x2
28	7479961	GROUP BOTTOM FITTING
29	7479950	GROUND CAMS TREE
30	7479951	CAMS LOCK STUD

TABLE 4B
ARIA FAST HEATING

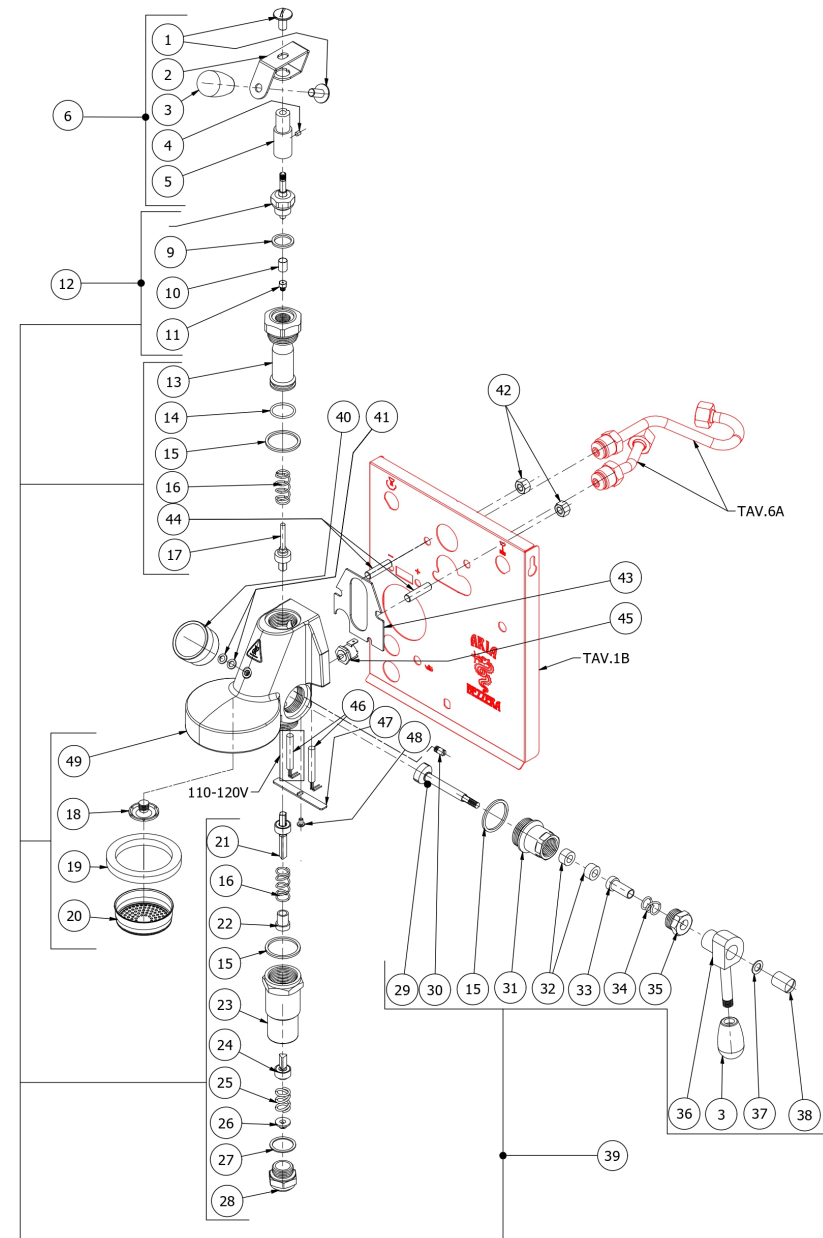


TABLE 4B
ARIA FAST HEATING

POS	CODE	DESCRIPTION
31	7479967	CAM FLANGE
32	7479968	WASHER EP079 15.5X7.5X4
33	7479969	BUSHING
34	7479970	SPRING
35	7479971	PLUG CHROMED
36	7479931	DELIVERY LEVER
37	7479947	WASHER D8
38	7479948	CAP D15XM6
39	5961253	ASSY GROUP.E61 OT57+R.FLUS.220-240V PLASTIC
39	5961260	ASSY GROUP.E61 OT57+R.FLUS.220-240V WOOD
39	5961257	ASSY GROUP.E61 OT57+R.FLUS.110-120V PLASTIC
39	5961258	ASSY GROUP.E61 OT57+R.FLUS.110-120V WOOD
40	7432534.01	PRESSURE GAUGE D40 16BAR ITALY
41	7479938	GASKET TF 10X6X1
42	7811402	NUT M8 UNI5587 A2
43	7493026	INSULATING
44	5267013	TIE ROD M8X31 ASTM A 193 B8 C/1
45	7634808	THERMAL SAFETY DEVICE 250V 95°C
46	5963405	GLOW PLUG ASSY SINGLE 110/120V 100W
46	5963401	GLOW PLUG ASSY DOUBLE 220/240V 150W
47	5058533	GLOW PLUG COVER GROUP E61
48	7819912	SCREW M4X6
49	7479962AL	LEVER BODY GROUP E61 CR.OT57 FOR FAST HEATING

TABLE 4B
ARIA FAST HEATING

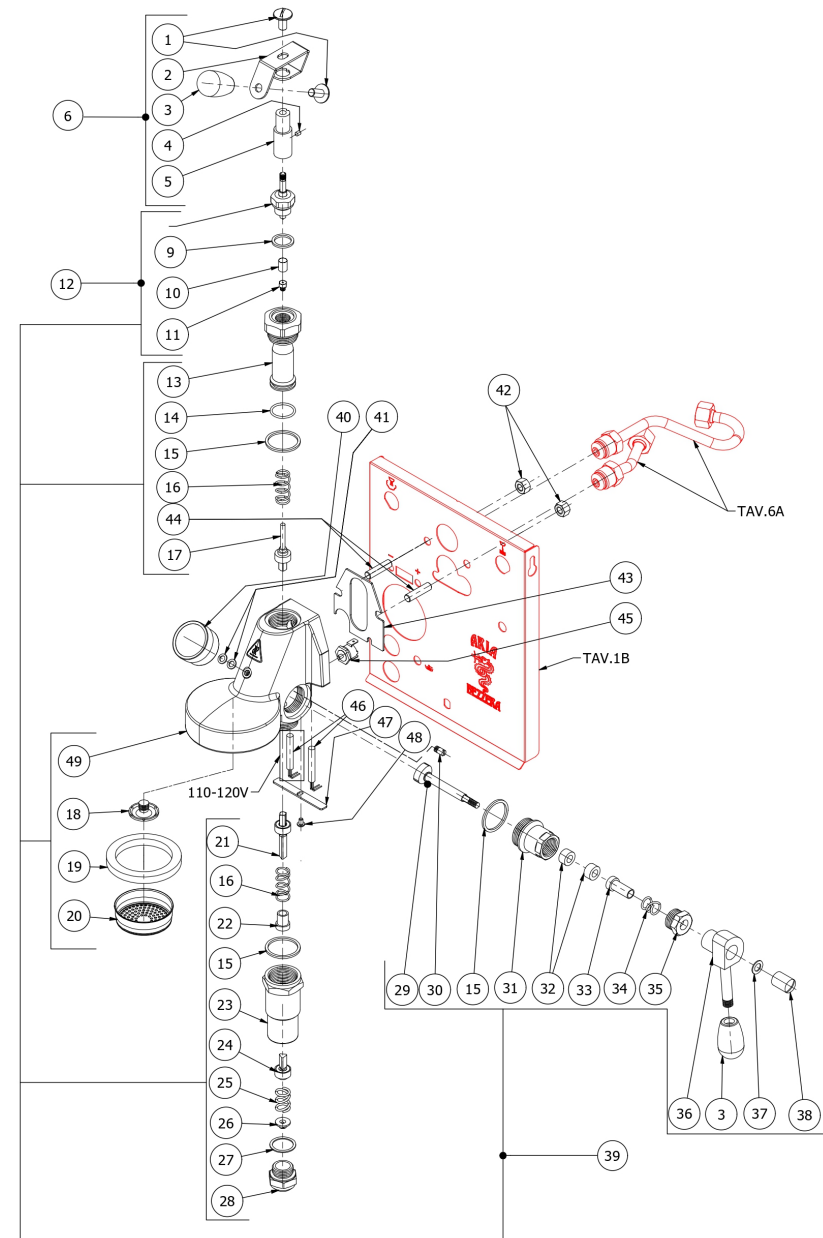


TABLE 5
ARIA S

POS	CODE	DESCRIPTION																																	
1	7373009.01	TANK 3 LITERS																																	
2	5058706.01LL	TANK SUPPORT W/COMPASSES																																	
3	7812402	NUT M3 UNI7473 A2 SELF-LOCKING INOX																																	
4	7666011	TANK SENSOR																																	
5	5191510	SPACER																																	
6	5194585	SILICON PIPE 8x5x700																																	
7	7374015	WATER FILTER 200 MICRON																																	
8	7816002	SCREW TCEI M4X12 UNI 5931 A2																																	
9	7816004	SCREW TCEI M4X16 A2	10	7815003	PLAIN WASHER D5 UNI 6592 A2	11	7303006	RUBBER-HOLDER FITTING	12	7470602	VIBRATION-DAMPING	13	7731026.01	VIBRATION PUMP OL PLUS 220V 50/60HZ	13	7731027.01	VIBRATION PUMP PLUS 240V 50HZ OT57	13	7731024.01	VIBRATION PUMP PLUS 120V 60HZ OT57	13	7731023.01	VIBRATION PUMP OL PLUS 230V 50HZ OT	13	7731025.01	VIBRATION PUMP OLAB PLUS 100V	14	7634816	THERMIC SAFETY DEV.AUT.PUMP 100°	15	7496023	GASKET OR 106 VITON	16	7303056	FITTING M 1/8
10	7815003	PLAIN WASHER D5 UNI 6592 A2																																	
11	7303006	RUBBER-HOLDER FITTING																																	
12	7470602	VIBRATION-DAMPING																																	
13	7731026.01	VIBRATION PUMP OL PLUS 220V 50/60HZ																																	
13	7731027.01	VIBRATION PUMP PLUS 240V 50HZ OT57																																	
13	7731024.01	VIBRATION PUMP PLUS 120V 60HZ OT57																																	
13	7731023.01	VIBRATION PUMP OL PLUS 230V 50HZ OT																																	
13	7731025.01	VIBRATION PUMP OLAB PLUS 100V																																	
14	7634816	THERMIC SAFETY DEV.AUT.PUMP 100°																																	
15	7496023	GASKET OR 106 VITON																																	
16	7303056	FITTING M 1/8																																	

TABLE 5
ARIA S

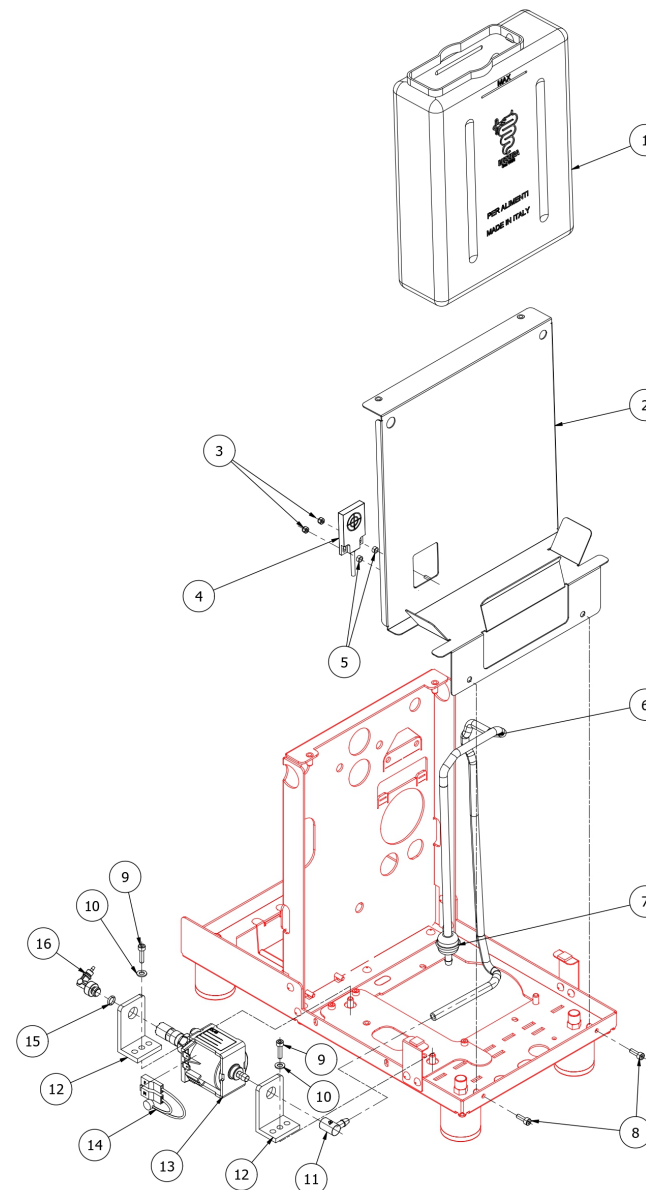


TABLE 5A
ARIA TOP

POS	CODE	DESCRIPTION
1	7373009.01	TANK 3 LITERS
2	5058706.01LL	TANK SUPPORT W/COMPASSES
3	7812402	NUT M3 UNI7473 A2 SELF-LOCKING INOX
4	7666011	TANK SENSOR
5	5191510	SPACER
6	5059921LW	TANK SENSOR COVER
7	5283062	CONICAL DISCHARGE FITTING
8	7815001	WASHER D10 UNI 6592 A2
9	5221844	NUT 1/8
10	5194547	SILICON PIPE 8X5X150
11	7742405	ELECTRIC MOTOR 220/240V
11	7741007	ELECTRIC MOTOR 110-115V 50/60HZ
12	7816017	SCREW TCEI M4X6
13	7812601	INOX NUT M4 UNI5588
14	7814001	WASHER D4 DIN 6798A A2
15	5058507LW	MOTOR SUPPORT
16	7470604	VIBRATION-DAMPING
17	5058508LW	MOTOR SUPPORT PUMP SIDE
18	7819921	SCREW M3x10
19	7730514	ROTATIVE PUMP 70L/H COMPACT
20	7303068	FITTING M 1/4
21	7811801	S/S NUT M8
22	5370314TT	ELBOW RUBBER-HOLDER
23	5302088AL	FITTING 1/4
24	7304557TT	3 WAYS VALVE
25	7303072TT	REVOLVING FITTING 1/4"
26	5194703	PTFE PIPE 6X220
27	7303070TT	ELBOW FITTING
28	7818009	SCREW AUTOF.TB D2.9X6.5 INOX
29	5055761LW	TANK/NET SHIELD

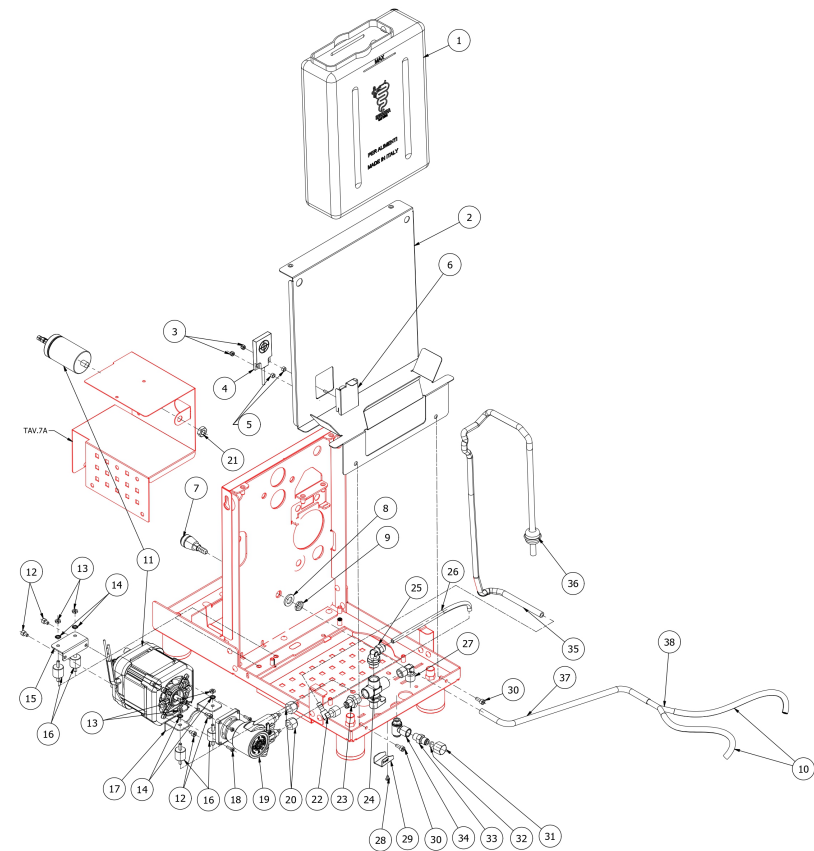
TABLE 5A
ARIA TOP

TABLE 5A
ARIA TOP

POS	CODE	DESCRIPTION
30	7816009	SCREW TCEI M4X10 UNI 5931A2
31	5221835	CAP NUT 1/8
32	5492019	GASKET D8 X 2 ASBESTOS FREE
33	7304502TT	SERTO FITTING 1/8"
34	7304556TT	REVOLVING FITTING
35	5194585	SILICON PIPE 8x5x700
36	7374015	WATER FILTER 200 MICRON
37	5194540	SILICON PIPE D8X5X1.5 L=300
38	7303039	FITTING

TABLE 5A
ARIA TOP

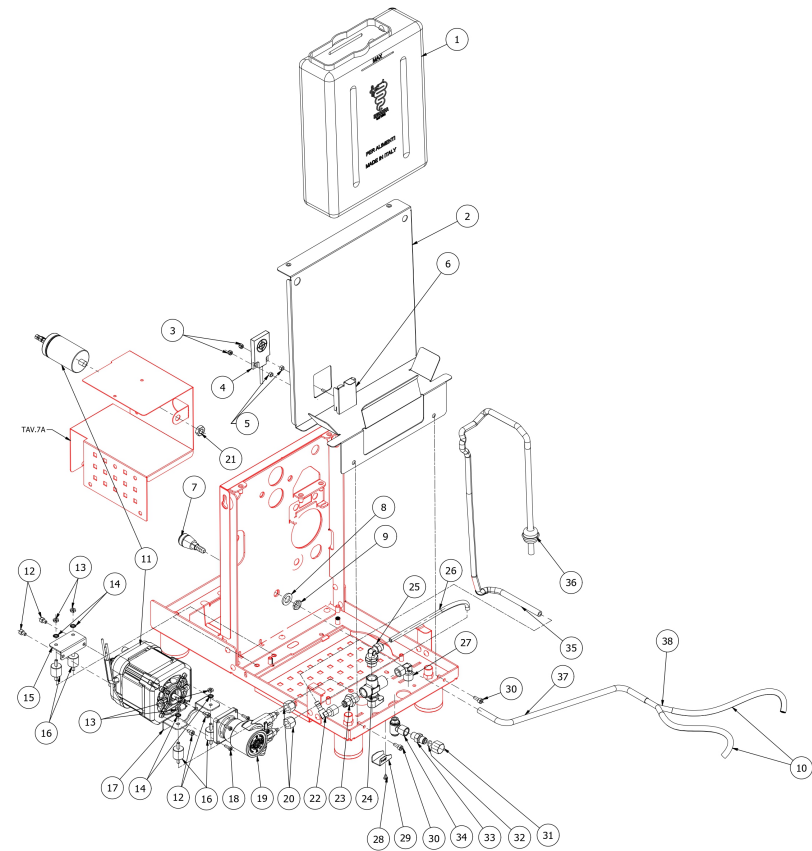


TABLE 6
ARIA S

POS	CODE	DESCRIPTION
1	5192320	DRAW OUT D6X1 L=60 PTFE
2	5302006AL	FITTING M12X1/8
3	7816032	SCREW M5X55
4	5494027	RING GASKET 5.70X9X1
5	5130501	COPPER WASHER 13.5X18X1,5
6	5302078AL	FITTING 3/8
7	5164093LL	ASSY COPPER PIPE
8	5223025AL	GICLEUR 1/8 3 HOLE
9	5225201AL	FITTING 1/4
10	7452511.01	ANTI-PRESSURE VALVE RC OT + TF
11	5164094LL	ASSY COPPER PIPE
12	7496106	OR RED GASKET
13	5162500LL	WATER TAP PIPE
14	5192301	SUCTION D6X1 L=130MM PTFE
15	5302075AL	FITTING M13-1/8"G
16	7400909	PUMP CAPILLARY
17	7304505.01TR	ELBOW FITTING 3 WAYS
18	7433013	PRESSOSTAT XP/100 1/4
19	5492028	GASKET D10.5X4X3
20	5162504LL	PRESSOSTAT PIPE
21	5162499LL	STEAM TAP PIPE
22	7452509.02	SAFETY VALVE 3/8
23	5225423AL	REDUCTION FITTING 1/4 3/8
24	5265804	LEVEL PROBE D3 X 110 X 6.3
25	5192001	PROBE SHEATH D8 X 45 HOLE D3 PTFE
26	5225205	STRAIGHT FITTING M10 OT
27	5225209AL	FITTING M10X1/4
28	9991028	BOILER COVER
29	5320532.01BL	EXCHANGER BOILER W/SCREWS
30	7496040	OR GASKET D73 X 3 VITON

TABLE 6
ARIA S

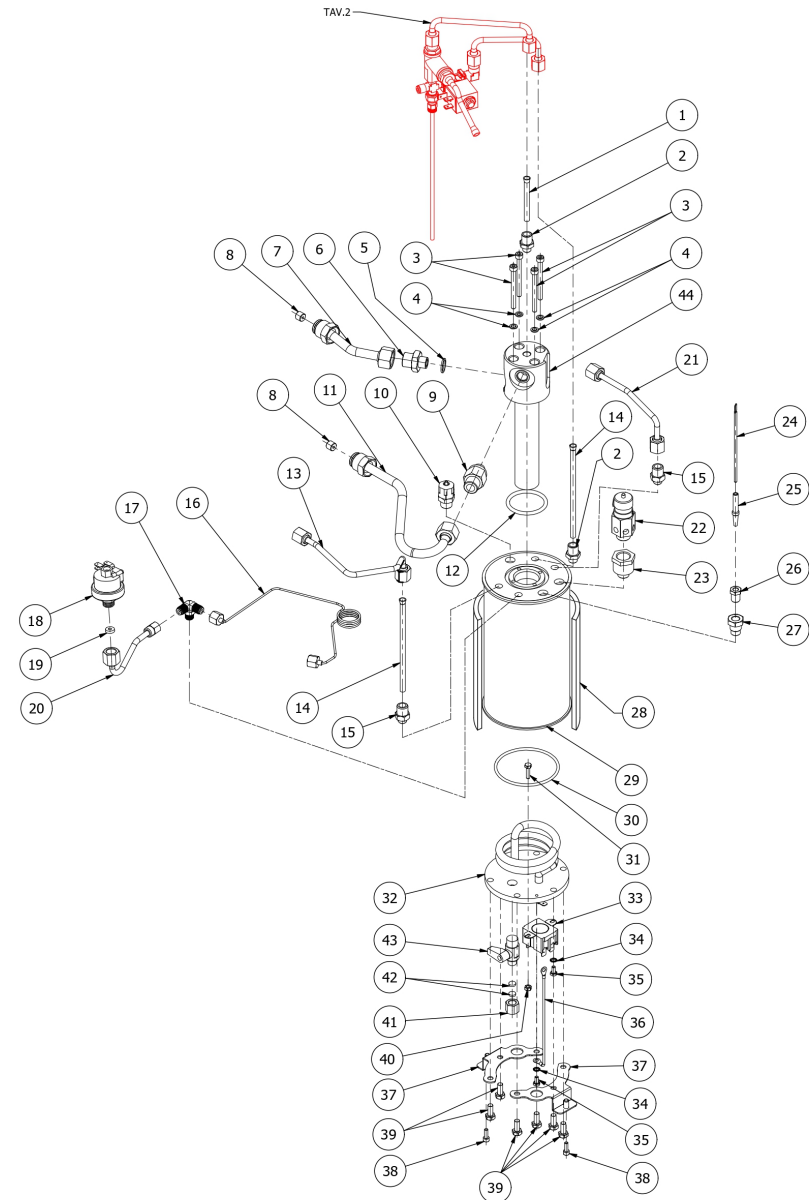


TABLE 6
ARIA S

POS	CODE	DESCRIPTION
31	7826402	SCREW TE M4X16 UNI 5739 OT
32	5722261.01AL	HEATING ELEMENT 220/240V-1100/1300W
32	5722263AL	HEATING ELEMENT 120V-1200W
33	7634819.01	THERMIC PROTECTION 250V 130°C
34	7814001	WASHER D4 DIN 6798A A2
35	7816409	SCREW TE M4X8 UNI 5739 A2
36	7663573.01	RESISTANCE CONNECTION CABLE
37	5058709LL	BOILER SUPPORT WITH COMPASSES
38	7816002	SCREW TCEI M4X12 UNI 5931 A2
39	7816422	SCREW TE M6X14 UNI 5739 OT
40	7822603	NUT M4 OT
41	5221835	CAP NUT 1/8
42	5492019	GASKET D8 X 2 ASBESTOS FREE
43	7451506	MINI VALVE MINI BALL 1/4-1/8
44	5329029.01DC	EXCHANGER W/SCREW

TABLE 6
ARIA S

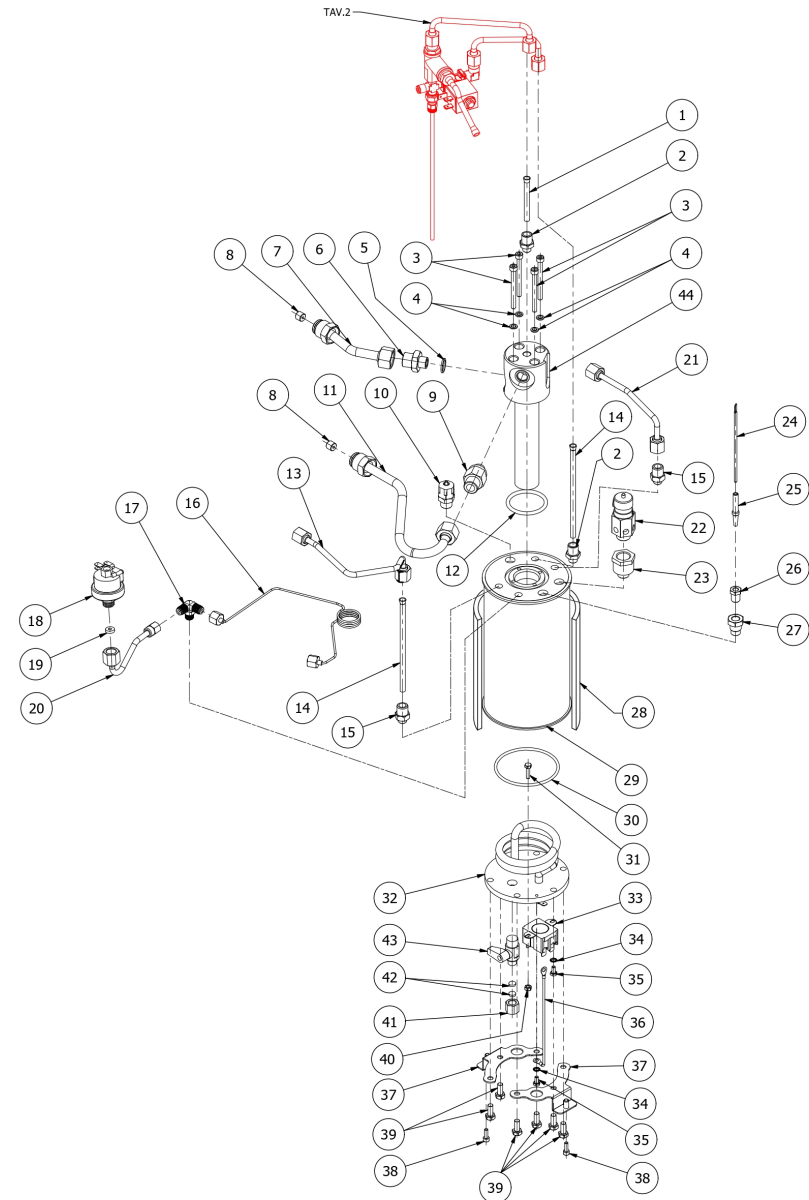


TABLE 6A
ARIA TOP

POS	CODE	DESCRIPTION
1	5192320	DRAW OUT D6X1 L=60 PTFE
2	5302006AL	FITTING M12X1/8
3	7816032	SCREW M5X55
4	5494024.01	EXCHANGER GASKET UNDER SCREW M5
5	5329029.01DC	EXCHANGER W/SCREW
6	5130501	COPPER WASHER 13.5X18X1,5
7	5225201AL	FITTING 1/4
8	5164094LL	ASSY COPPER PIPE
9	5223025AL	GICLEUR 1/8 3 HOLE
10	5265804	LEVEL PROBE D3 X 110 X 6.3
11	5192001	PROBE SHEATH D8 X 45 HOLE D3 PTFE
12	5225205	STRAIGHT FITTING M10 OT
13	5225209AL	FITTING M10X1/4
14	7452509.02	SAFETY VALVE 3/8
15	5225423AL	REDUCTION FITTING 1/4 3/8
17	7452511.02	VALVE ANTIDEPRESSION W/RUBBER-
18	5492028	GASKET D10.5X4X3
19	5162504LL	PRESSOSTAT PIPE
20	5965077	ASSY DEPR.VALVE ARIA PID
22	7304505.01TR	ELBOW FITTING 3 WAYS
23	5162500LL	WATER TAP PIPE
24	5192301	SUCTION D6X1 L=130MM PTFE
25	5302075AL	FITTING M13-1/8"G
26	5302078AL	FITTING 3/8
27	5164093LL	ASSY COPPER PIPE
28	7496106	OR RED GASKET
29	7666008	PROBE X THERMOPID AISI316 D3
30	5162499LL	STEAM TAP PIPE
31	7826402	SCREW TE M4X16 UNI 5739 OT
32	7496040	OR GASKET D73 X 3 VITON

TABLE 6A
ARIA TOP

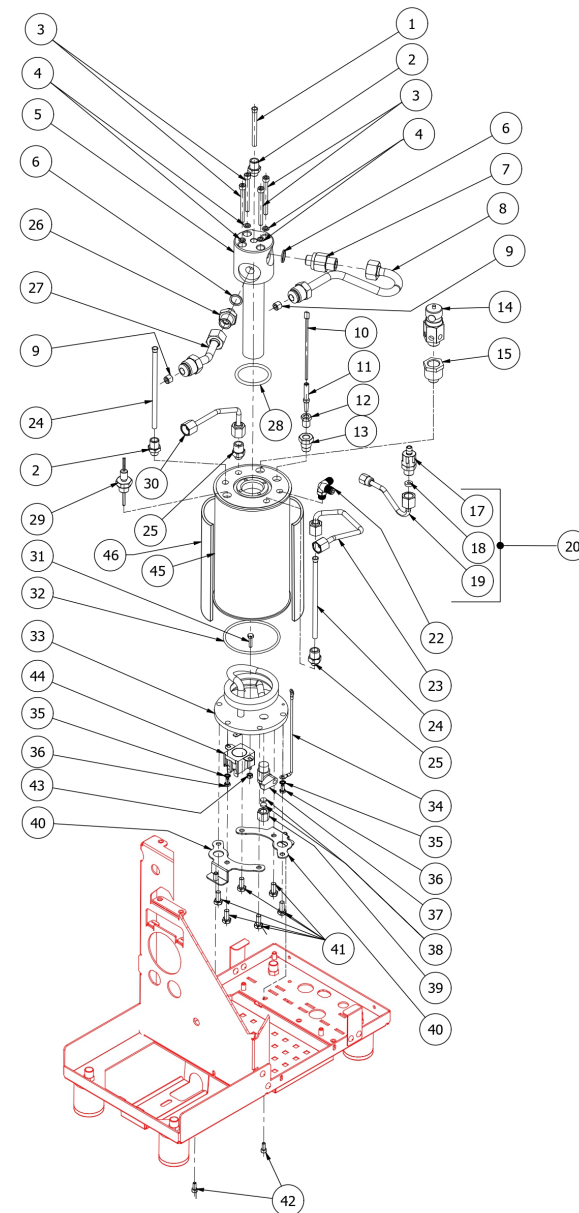


TABLE 6A
ARIA TOP

POS	CODE	DESCRIPTION
33	5722261.01AL	HEATING ELEMENT 220/240V-1100/1300W
33	5722263AL	HEATING ELEMENT 120V-1200W
34	7663573.01	RESISTANCE CONNECTION CABLE
35	7814001	WASHER D4 DIN 6798A A2
36	7816409	SCREW TE M4X8 UNI 5739 A2
37	7451506	MINI VALVE MINI BALL 1/4-1/8
38	5492019	GASKET D8 X 2 ASBESTOS FREE
39	5221835	CAP NUT 1/8
40	5058709LL	BOILER SUPPORT WITH COMPASSES
41	7816422	SCREW TE M6X14 UNI 5739 OT
42	7816009	SCREW TCEI M4X10 UNI 5931A2
43	7822603	NUT M4 OT
44	7634819.01	THERMIC PROTECTION 250V 130°C
45	5320532.01BL	EXCHANGER BOILER W/SCREWS
46	9991028	BOILER COVER

TABLE 6A
ARIA TOP

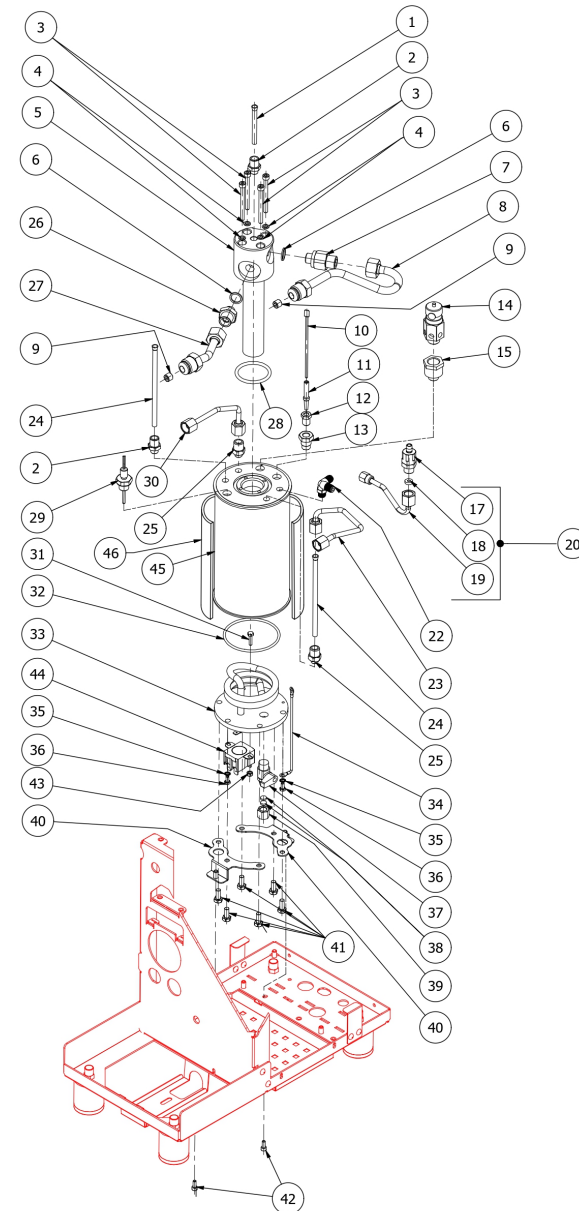


TABLE 7
ARIA S

POS	CODE	DESCRIPTION
1	5221875CM	NUT M10X0,75
2	7633906.01	MICRO SWITCH
3	7633355SG	SWITCH 110V ON/OFF
3	7633354SG	SWITCH 230V ON/OFF
4	7633628	WHITE LAMP
5	7614007	FAIRLEAD WITH HOLE RUBBER
6	7822603	NUT M4 OT
7	7814001	WASHER D4 DIN 6798A A2
8	7826411	SCREW TE M4X20 UNI5739 OT
9	7614006	NUT PG13.5
10	7555001	ELECTRIC CABLE WITH SHUKO PLUG
10	7554001	ELECTRIC CABLE WITH ENGLISH PLUG
10	7555003	SWISS PLUG CABLE H05VV-F 3X1,5 10A
10	7552001	ELECTRIC CABLE WITH AUSTRALIAN PLUG
10	7551001	ELECTRIC CABLE WITH USA PLUG L=1.5M
11	7809809	PLASTIC SCREW TCI M3X5 DIN7985
12	7663007	ANTI-RIST FILTER 0.1MF (X2) SH
13	7822602	NUT M3 OT
14	7812401	NUT M4 UNI7473 A2 AUTO BLOCC
15	5058707LL	ELECTRIC SUPPORT PARTS W/COMPASSES
16	7816002	SCREW TCEI M4X12 UNI 5931 A2
17	7635426	RELAIS SSR COMPACT
18	7661007R	LEVEL REGULATOR 220/240V 50/60HZ
18	7661006R	LEVEL REGULATOR 100/120V 50/60HZ
19	5058710	SUPPORT
20	7819404	TAPPING SCREW TPS D2.9X9.5 UNI 6952

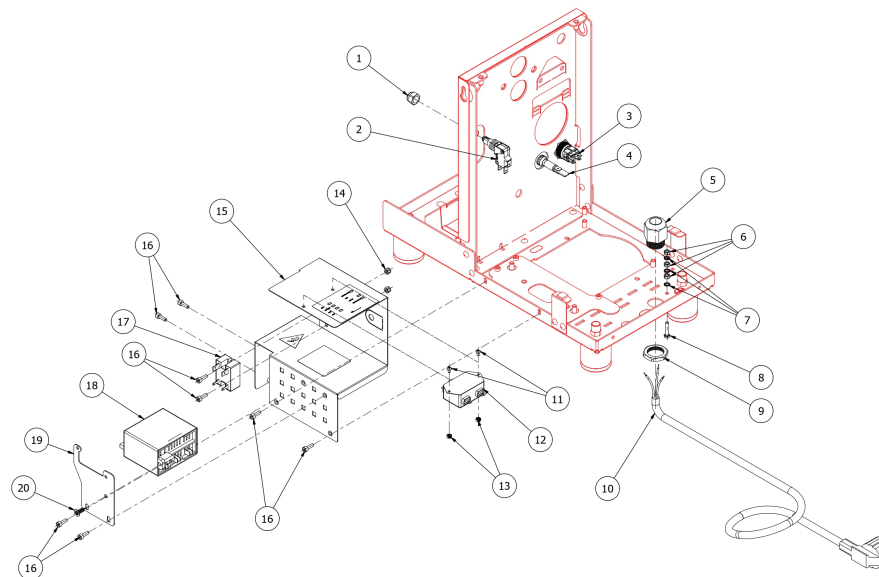
TABLE 7
ARIA S

TABLE 7A
ARIA TOP

POS	CODE	DESCRIPTION
1	5522077	PID ADHESIVE LABEL
2	7374016	SCREW TC M2.5X6
3	7665544	TPID DISPLAY CARD WHITE (PR)
4	5191518	PLASTIC SPACER M2.5X10
5	7809814	SCREW TBEI M4X8
6	5053063LW	PID COVER
7	7633354SG	SWITCH 230V ON/OFF
7	7633355SG	SWITCH 110V ON/OFF
8	7633628	WHITE LAMP
9	5221875CM	NUT M10X0,75
10	7633910.01	MICRO SWITCH 2 POLIES W/WEEL
11	7614007	FAIRLEAD WITH HOLE RUBBER
12	7822603	NUT M4 OT
13	7814001	WASHER D4 DIN 6798A A2
14	7826411	SCREW TE M4X20 UNI5739 OT
15	7614006	NUT PG13.5
16	7552001	ELECTRIC CABLE WITH AUSTRALIAN PLUG
16	7551001	ELECTRIC CABLE WITH USA PLUG L=1.5M
16	7555003	SWISS PLUG CABLE H05VV-F 3X1,5 10A
16	7554001	ELECTRIC CABLE WITH ENGLISH PLUG
16	7555001	ELECTRIC CABLE WITH SHUKO PLUG
17	7809809	PLASTIC SCREW TCI M3X5 DIN7985
18	7663007	ANTI-RIST FILTER 0.1MF (X2) SH
19	7822602	NUT M3 OT
20	7816009	SCREW TCEI M4X10 UNI 5931A2
21	7812401	NUT M4 UNI7473 A2 AUTO BLOCK
22	5058707.01LL	ELECTRIC SUPPORT PARTS W/COMPASSES
23	7635426	RELAIS SSR COMPACT
24	7816002	SCREW TCEI M4X12 UNI 5931 A2
25	7663640	CABLE 15 VIE FEMALE L.320MM

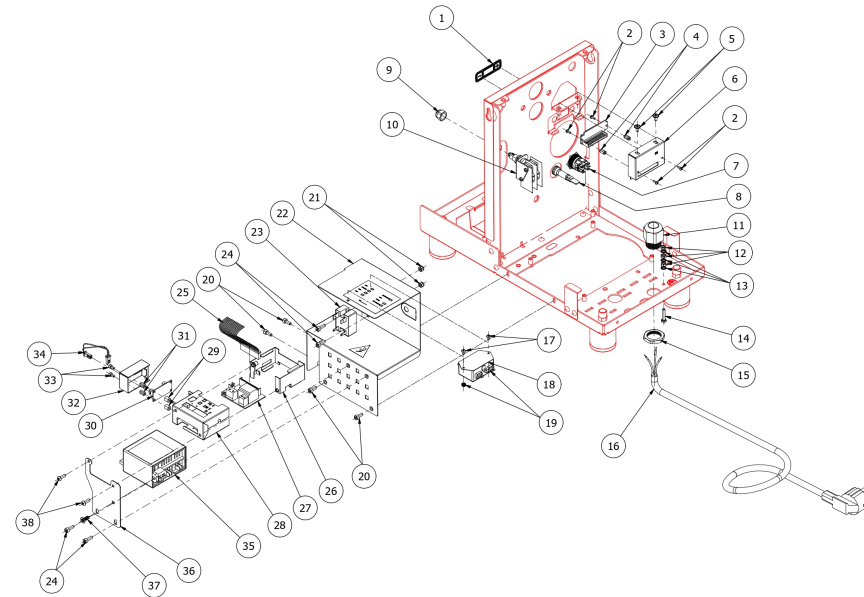
TABLE 7A
ARIA TOP

TABLE 7A
ARIA TOP

POS	CODE	DESCRIPTION
26	5058513LL	SUPPORT PID CARD W/COMPASSES
27	7434027.03	THERMOSTAT TPID 230/240V S/DISP
27	7434026.03	THERMOSTAT TPID 110V W/DISPLAY (PR)
28	5343104	PID COMPLETE COVER
29	5191513	SPACER NYLON 66 L=7 MM
30	7665545	OPTO TIMER BOARD (PR)
31	7639915	PLASTIC SPACER M3X8
32	5053061LW	COVER OPTO TIMER (PR)
33	7816016	SCREW TCEI M3X6
34	7663641	CONNECTION CABLE CARD
35	7661007.01R	LEVEL REGULATOR 220/240V 50/60HZ
35	7661006.01R	LEVEL REGULATOR 100/120V 50/60HZ
36	5058710	SUPPORT
37	7819404	TAPPING SCREW TPS D2.9X9.5 UNI 6952
38	7819901	SCREW TBEI M4X12 ISO 7380 A2 INOX

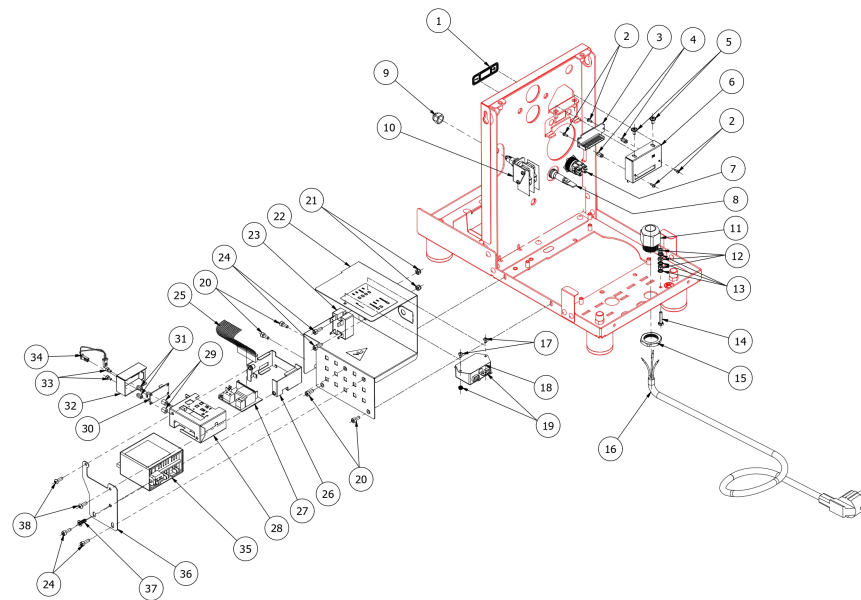
TABLE 7A
ARIA TOP

TABLE 7B
ARIA FAST HEATING

POS	CODE	DESCRIPTION
1	5370046	PLEXIGLASS H3 TERMOPID FAST HEATING
2	5661508	STAINLESS STEEL THERMOPID DISPLAY BUTTON
3	7374016	SCREW TC M2.5X6
4	7665544	TPID DISPLAY CARD WHITE (PR)
5	5191518	PLASTIC SPACER M2.5X10
6	7816009	SCREW TCEI M4X10 UNI 5931A2
7	5053074LW	COVER TPID PROELIND FAST HEATIN
8	7633354SG	SWITCH 230V ON/OFF
8	7633355SG	SWITCH 110V ON/OFF
9	7633357SG	INTERR.ANTIV.230V QN22-L FAST HEAT
9	7633358SG	INTERR.ANTIV.110V QN22-L FAST HEAT
10	7633628	WHITE LAMP
11	7614007	FAIRLEAD WITH HOLE RUBBER
12	7822603	NUT M4 OT
13	7814001	WASHER D4 DIN 6798A A2
14	7826411	SCREW TE M4X20 UNI5739 OT
15	7614006	NUT PG13.5
16	7552001	ELECTRIC CABLE WITH AUSTRALIAN PLUG
16	7555003	SWISS PLUG CABLE H05VV-F 3X1,5 10A
16	7551001	ELECTRIC CABLE WITH USA PLUG L=1.5M
16	7555001	ELECTRIC CABLE WITH SHUKO PLUG
16	7554001	ELECTRIC CABLE WITH ENGLISH PLUG
17	7809809	PLASTIC SCREW TCI M3X5 DIN7985
18	7663007	ANTI-RIST FILTER 0.1MF (X2) SH
19	7822602	NUT M3 OT
20	5221875CM	NUT M10X0,75
21	7633910.01	MICRO SWITCH 2 POLIES W/WEEL
22	7812401	NUT M4 UNI7473 A2 AUTO BLOCK
23	7635627	RELAIS SSR COMPACT
24	7816002	SCREW TCEI M4X12 UNI 5931 A2

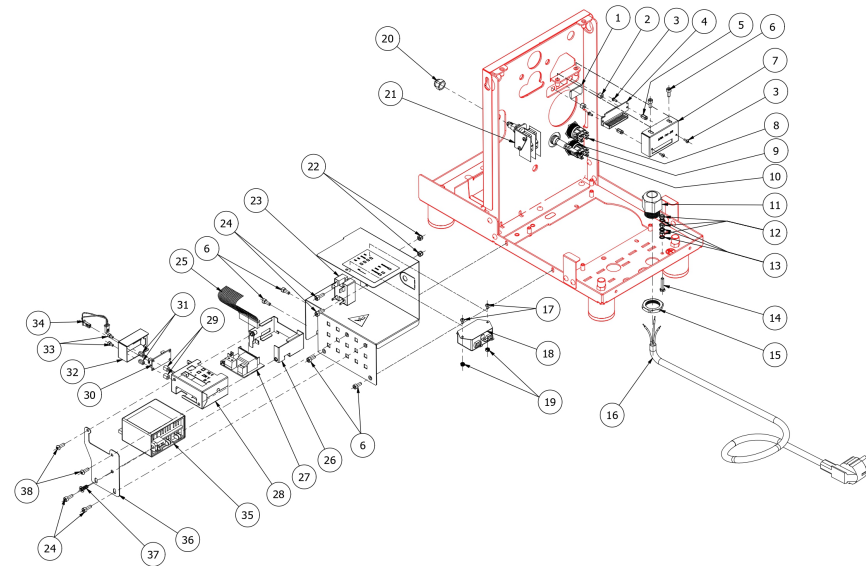
TABLE 7B
ARIA FAST HEATING

TABLE 7B
ARIA FAST HEATING

POS	CODE	DESCRIPTION
25	7663640	CABLE 15 VIE FEMALE L.320MM
26	5058513LL	SUPPORT PID CARD W/COMPASSES
27	7434026.03	THERMOSTAT TPID 110V W/DISPLAY (PR)
27	7434027.03	THERMOSTAT TPID 230/240V W/DISP (PR)
28	5343104	PID COMPLETE COVER
29	5191513	SPACER NYLON 66 L=7 MM
30	7665545	OPTO TIMER BOARD (PR)
31	7639915	PLASTIC SPACER M3X8
32	5053061LW	COVER OPTO TIMER (PR)
33	7816016	SCREW TCEI M3X6
34	7663641	CONNECTION CABLE CARD
35	7661007.01R	CONTROL UNIT 220/240V 50/60HZ
35	7661006.01R	LEVEL REGULATOR 100/120V 50/60HZ
36	5058710	SUPPORT
37	7819404	TAPPING SCREW TPS D2.9X9.5 UNI 6952
38	7819901	SCREW TBEI M4X12 ISO 7380 A2 INOX

TABLE 7B
ARIA FAST HEATING

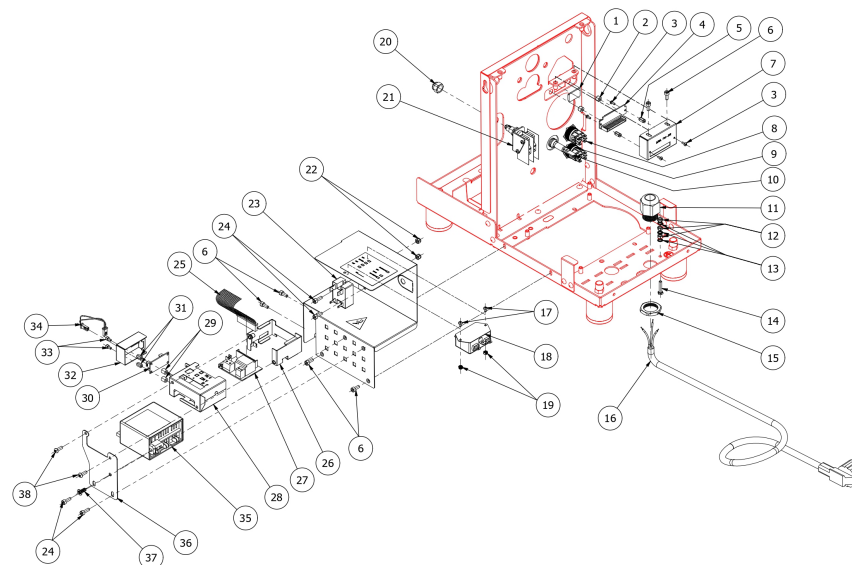


TABLE 8
ARIA

POS	CODE	DESCRIPTION
1	5302017AL	FITTING M12 ES16 H26.5 OT57USA
2	5471505	CALIBRATED SPRING D0.45 H22 AISI302
3	5224615AL	GASKET-HOLDER SURP.VALVE OT57USA
4	7496018	OR GASKET 105
5	5283053TP	SURPRESSION VALVE BODY
6	5471019	FILTER D8,5X5 AISI304
7	5493042	GASKET D.11X3
8	5224620AL	GASKET-HOLDER ES.12X6.8 OT57USA
9	5471539	CALIBRATED SPRING D.1,6
10	7496052	OR GASKET 114 VITON
11	5302077AL	FITTING PORT.M14X1 OTXTUBO6X4 OT57U
12	5965212.01AL	ASSY OPV ADJUST. 9/12 BAR

TABLE 8
ARIA

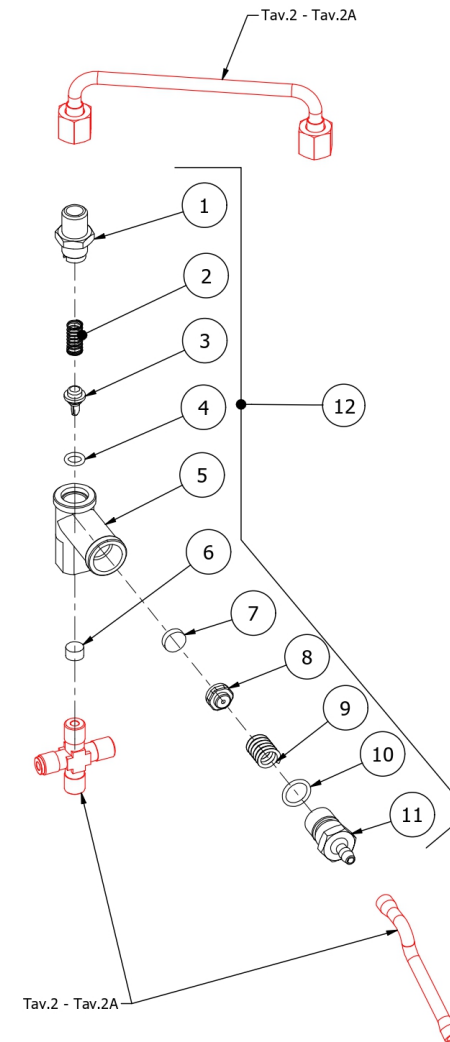
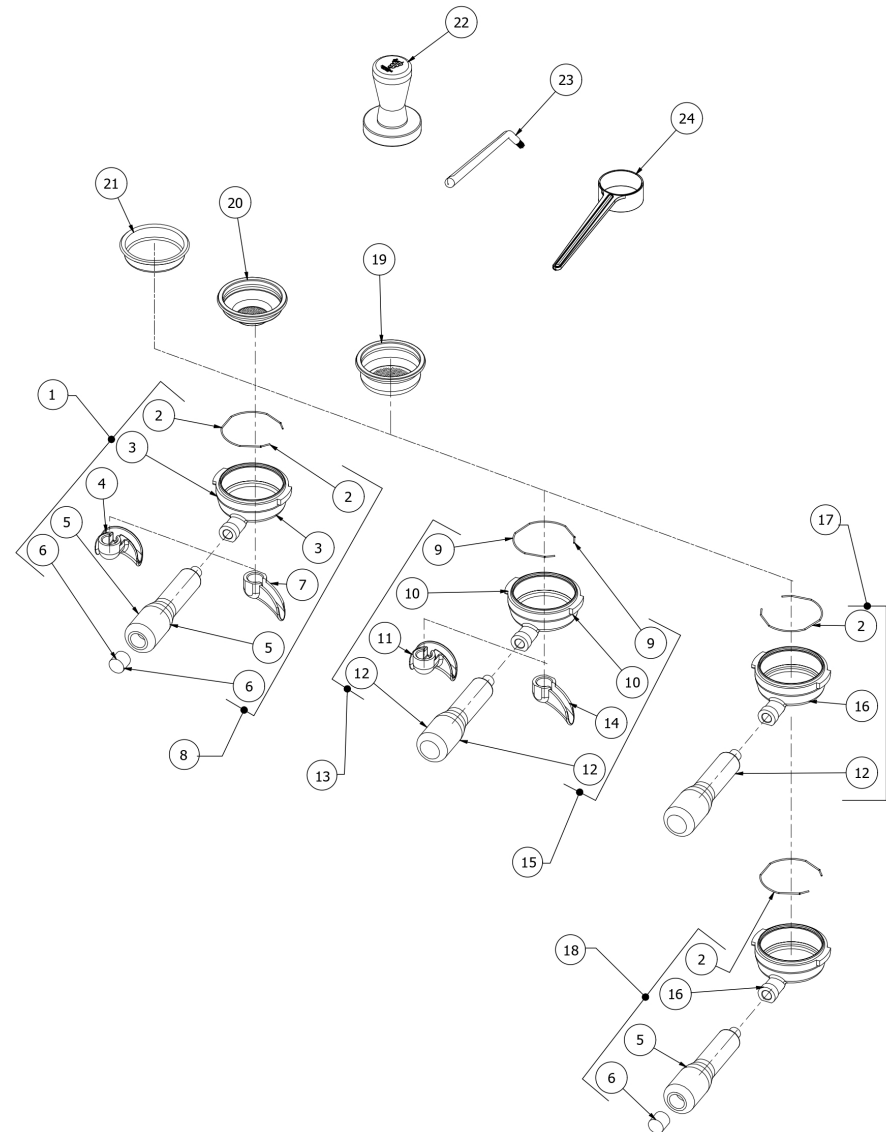


TABLE 9
ARIA

POS	CODE	DESCRIPTION
1	5965611R	ASSEMBLY FILTER-HOLDER 2 CUPS E61
2	5471527	FILTER-HOLDER SPRING D1.2 AISI 302
3	7479972.01TW	RETRO FILTER-HOLDER ONLY HANDLE
4	7305007TW	SPOUT 2 WAYS WITHOUT PB+PWP
5	7371502	FILTER-HOLDER KNOB
6	5373915CM	FILTER-HOLDER PLUG D16.5
7	7305006TW	SPOUT 1 WAY S/PB+PWP
8	5965610R	ASSEMBLY FILTER-HOLDER 1 CUP E61
9	5471527	FILTER-HOLDER SPRING D1.2 AISI 302
10	7479972.01TW	RETRO FILTER-HOLDER ONLY HANDLE
11	7305007TW	SPOUT 2 WAYS WITHOUT PB+PWP
12	7371520.01	WOODEN FILTER-HOLDER HANDLE
13	5965629.01R	ASSY FILTER-HOLDER E61 2CUPS WOOD
14	7305006TW	SPOUT 1 WAY S/PB+PWP
15	5965630.01R	ASSY FILTER-HOLDER E61 1CUP 80° WOOD
16	5286015.01TW	FILTERHOLDER E61 GROUP D59 NO NI-PB
17	5965635.01R	ASSY PORTAF.E61 FORATO (LEGNO) (R)
18	5965616.01R	ASSY PORTAF.E61 FORATO UNICA (R)
19	5471035	FILTER 2 CUPS 20 GRAMS
20	5471031.01	FILTER 1 CUP 10 GRAMS
21	5471038	BLIND FILTER AISI304
22	5963289.01AN	COFFEE TAMPER WITH BLACK KNOB
23	7990603	CLEANING BRUSH FOR COFFEE MACHINE
24	5372101	BLACK MEASURE

TABLE 9
ARIA





G.BEZZERA S.R.L.
MACCHINE PER CAFFÈ ESPRESSO
Via Luigi Bezzera,1
20088 Rosate - Milano - Italy
Tel. +39 02 90848102 r.a.
Web: www.bezzera.com
e-mail: admin@bezzera.it