



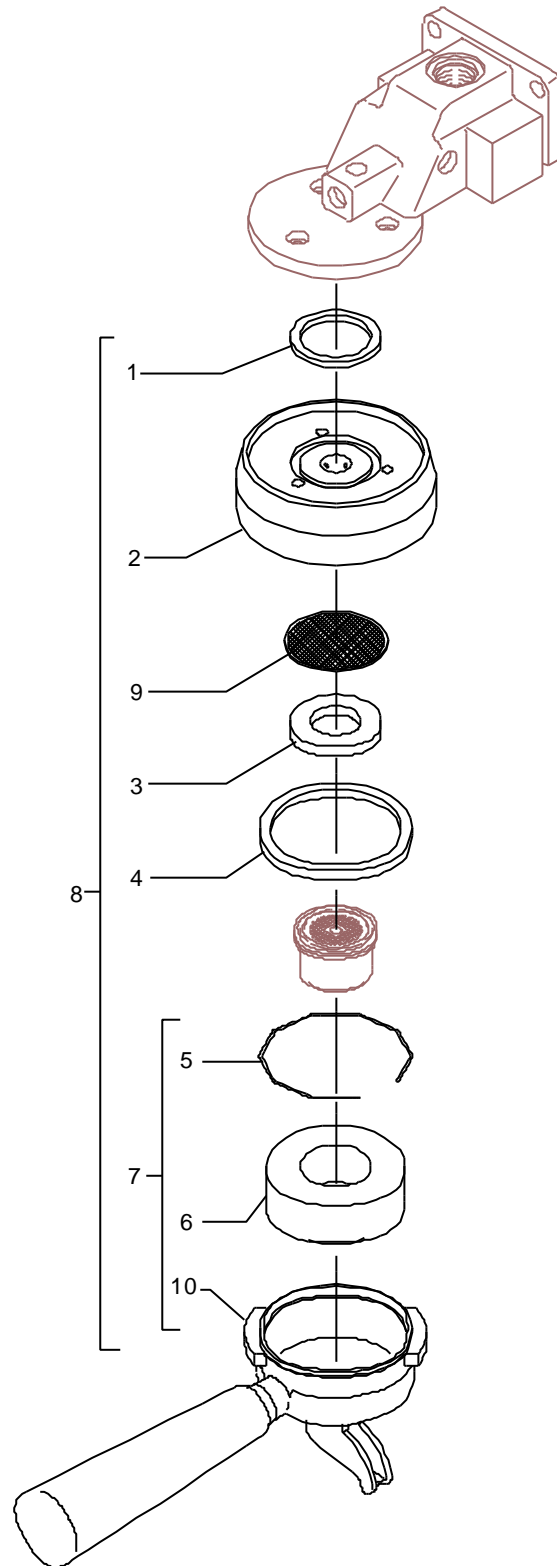
ACCESSORI



BEZZERA
dal 1901

Tav. 01 CAPSULE KIT

POS	DESCRIPTION	CODE	REFERENCE
1	OR GASKET 139 VITON	7496004	A 122
2	CHROMED CAPSULE COUPLING RING (NEW)	5280509CM	-
3	GASKET D40 X 22 X 5 NBR 70SH	5493035.01	-
4	GASKET H 9,3 NBR 90SH	7493008	-
5	SHAPED SPRING D1.4 AISI 302	5471507	H 817
6	ADAPTER RING D62 H25 PTFE (UP TO 31.10.05)	5195501	-
6	ADAPTER RING D62 H25 NORYL (UP TO 06.04.08)	5195505	-
6	ADAPTER RING D61.7 H25 PTFE (FROM 07.04.08)	5195507	-
7	ASSEMBLY FILTER-HOLDER CAPSULE BLUE (UP TO 06/04/08)	5965520	-
7	ASSEMBLY FILTER-HOLDER CAPSULE 2008 BLUE (FROM 07/04/08)	5965520.01	-
7	ASSEMBLY FILTER-HOLDER CAPSULE GREY (UP TO 06/04/08)	5965519	-
7	ASSEMBLY FILTER-HOLDER CAPSULE 2008 GREY (FROM 07/04/08)	5965519.01	-
8	CAPSULE KIT ELL BLUE (UP TO 06/04/08)	5973077.01	-
8	CAPSULE KIT 2008 ELL BLUE (FROM 07/04/08)	5973077.02	-
8	CAPSULE KIT ELL GREY (NEW) (UP TO 06/04/08)	5973078.01	-
8	CAPSULE KIT 2008 ELL GREY (NEW) (FROM 07/04/08)	5973078.02	-
9	SHOWER D22 AISI 304	5470513	-
10	ASSEMBLY FILTER-HOLDER CAPSULE BLUE	5965549	-
10	ASSEMBLY FILTER-HOLDER CAPSULE GREY	5965548	-





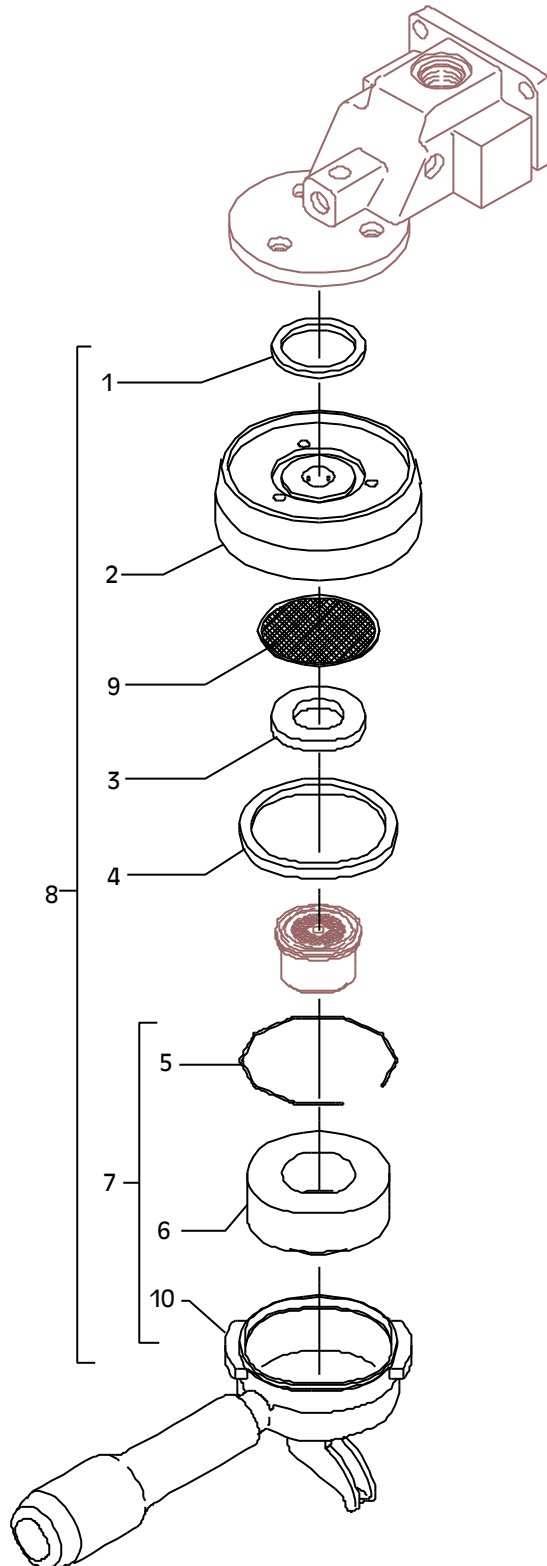
BEZZERA
dal 1901

Tav. 02 CAPSULE KIT

POS	DESCRIPTION	CODE	REFERENCE
1	OR GASKET 139 VITON	7496004	A 122
2	CHROMED CAPSULE COUPLING RING (NEW)	5280509CM	-
3	GASKET D40 X 22 X 5 NBR 70SH	5493035.01	-
4	GASKET H 9,3 NBR 90SH	7493008	-
5	SHAPED SPRING D1.4 AISI 302	5471507	H 817
6	ADAPTER RING D62 H25 PTFE (UP TO 31.10.05)	5195501	-
6	ADAPTER RING D62 H25 NORYL (UP TO 06.04.08)	5195505	-
6	ADAPTER RING D61.7 H25 PTFE (FROM 07.04.08)	5195507	-
7	ASSEMBLY FILTER-HOLDER CAPSULE (UP TO 06/04/08)	5965521	-
7	ASSEMBLY FILTER-HOLDER CAPSULE 2008 (FROM 07/04/08)	5965521.01	-
8	B2000/B3000 CAPSULE KIT (NEW) (UP TO 06/04/08)	5973079.01	-
8	B2000/B3000 CAPSULE KIT 2008 (NEW) (FROM 07/04/08)	5973079.02	-
9	SHOWER D22 AISI 304	5470513	-
10	ASSEMBLY FILTER-HOLDER CAPSULE BLACK	5965547	-

Mod. B2000
B3000
B4000

Tav. 02 CAPSULE KIT





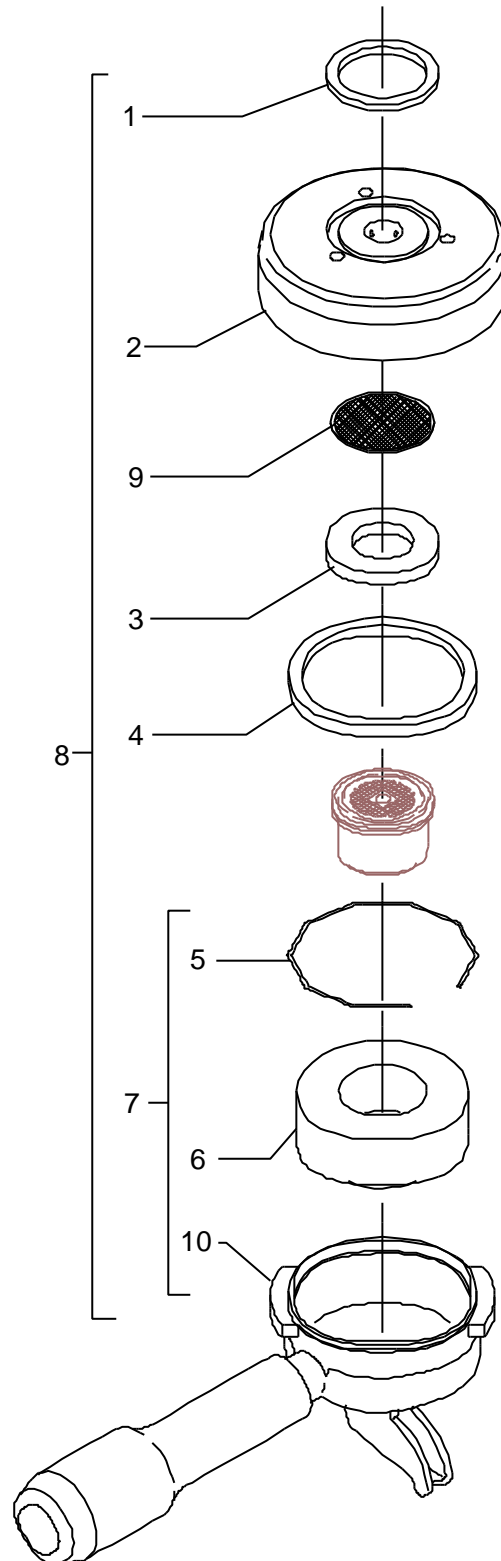
BEZZERA
dal 1901

Tav. 03 CAPSULE KIT

POS	DESCRIPTION	CODE	REFERENCE
1	OR GASKET 139 VITON	7496004	A 122
2	CAPSULE COUPLING RING	5280510CM	-
3	GASKET D40 X 22 X 5 NBR 70SH	5493035.01	-
4	GASKET H 9,3 NBR 90SH	7493008	-
5	SHAPED SPRING D1.4 AISI 302	5471507	H 817
6	ADAPTER RING D62 H25 PTFE (UP TO 31.10.05)	5195501	-
6	ADAPTER RING D62 H25 NORYL (UP TO 06.04.08)	5195505	-
6	ADAPTER RING D61.7 H25 PTFE (FROM 07.04.08)	5195507	-
7	ASSEMBLY FILTER-HOLDER CAPSULE (UP TO 06/04/08)	5965521	-
7	ASSEMBLY FILTER-HOLDER CAPSULE 2008 (FROM 07/04/08)	5965521.01	-
8	BZ99 CAPSULE KIT (NEW) (UP TO 06/04/08)	5973080.01	-
8	BZ99 CAPSULE 2008 KIT (NEW) (FROM 07/04/08)	5973080.02	-
9	SHOWER D22 AISI 304	5470513	-
10	ASSEMBLY FILTER-HOLDER CAPSULE BLACK	5965547	-

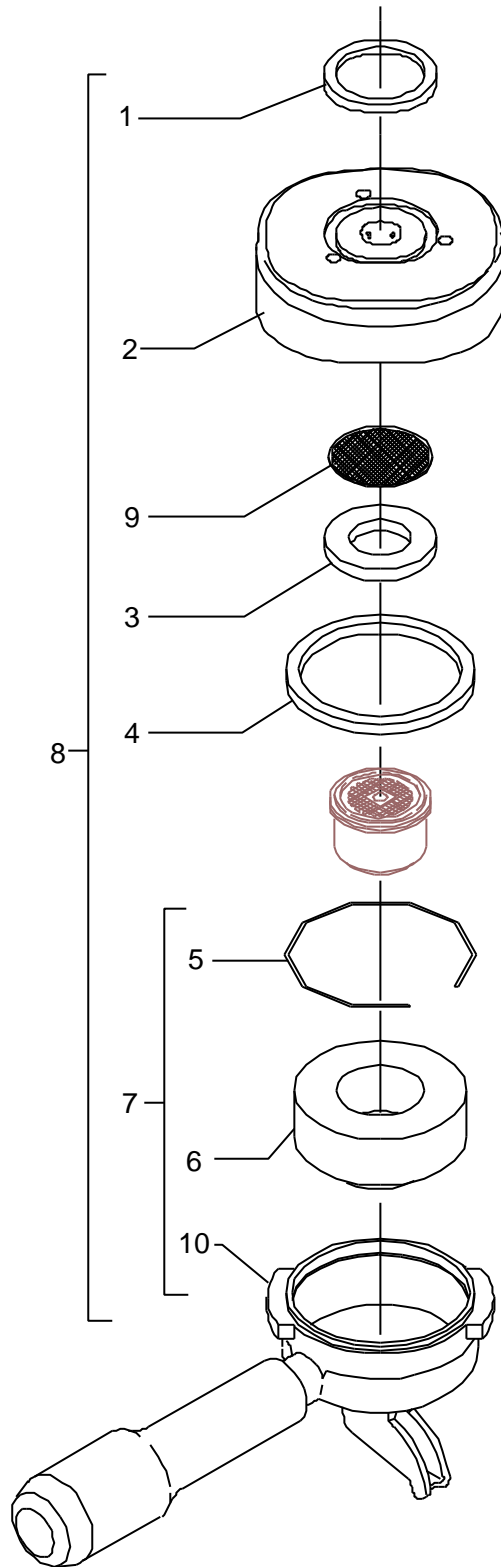
Mod. BZ35
BZ40
BZ99

Tav. 03 CAPSULE KIT





POS	DESCRIPTION	CODE	REFERENCE
1	OR GASKET 139 VITON	7496004	A 122
2	CAPSULE COUPLING RING	5280510CM	-
3	GASKET D40 X 22 X 5 NBR 70SH	5493035.01	-
4	GASKET H 9,3 NBR 90SH	7493008	-
5	SHAPED SPRING D1.4 AISI 302	5471507	H 817
6	ADAPTER RING D62 H25 PTFE (UP TO 31.10.05)	5195501	-
6	ADAPTER RING D62 H25 NORYL (UP TO 06/04/08)	5195505	-
6	ADAPTER RING D61.7 H25 PTFE (FROM 07.04.08)	5195507	-
7	ASSEMBLY FILTER-HOLDER CAPSULE BLUE (UP TO 06/04/08)	5965520	-
7	ASSEMBLY FILTER-HOLDER CAPSULE 2008 BLUE (FROM 07/04/08)	5965520.01	-
7	ASSEMBLY FILTER-HOLDER CAPSULE GREY (UP TO 06/04/08)	5965519	-
7	ASSEMBLY FILTER-HOLDER CAPSULE 2008 GREY (FROM 07/04/08)	5965519.01	-
8	CAPSULE KIT BLUE (UP TO 06/04/08)	5973097.01	-
8	CAPSULE KIT 2008 BLUE (FROM 07/04/08)	5973097.02	-
8	CAPSULE KIT GREY (UP TO 06/04/08)	5973098.01	-
8	CAPSULE KIT 2008 GREY (FROM 07/04/08)	5973098.02	-
9	SHOWER D22 AISI 304	5470513	-
10	ASSEMBLY FILTER-HOLDER CAPSULE BLUE	5965549	-
10	ASSEMBLY FILTER-HOLDER CAPSULE GREY	5965548	-

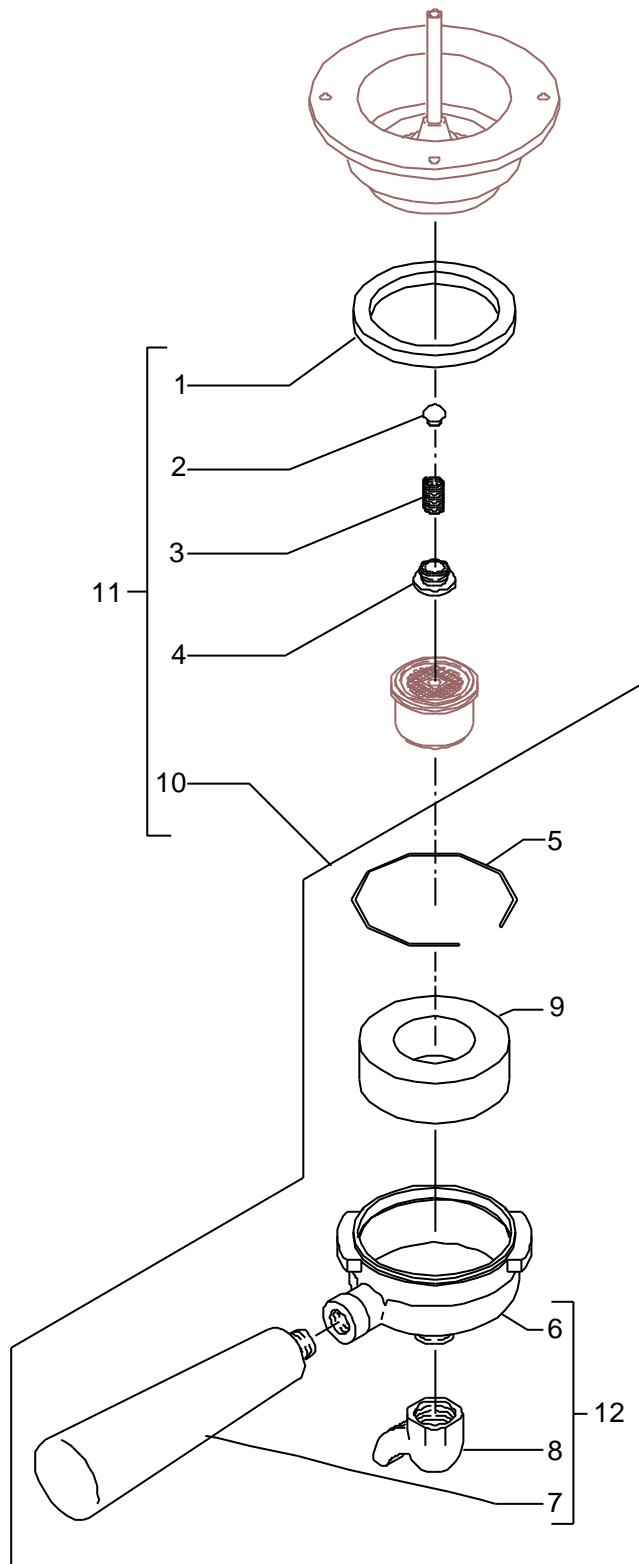




BEZZERA
dal 1901

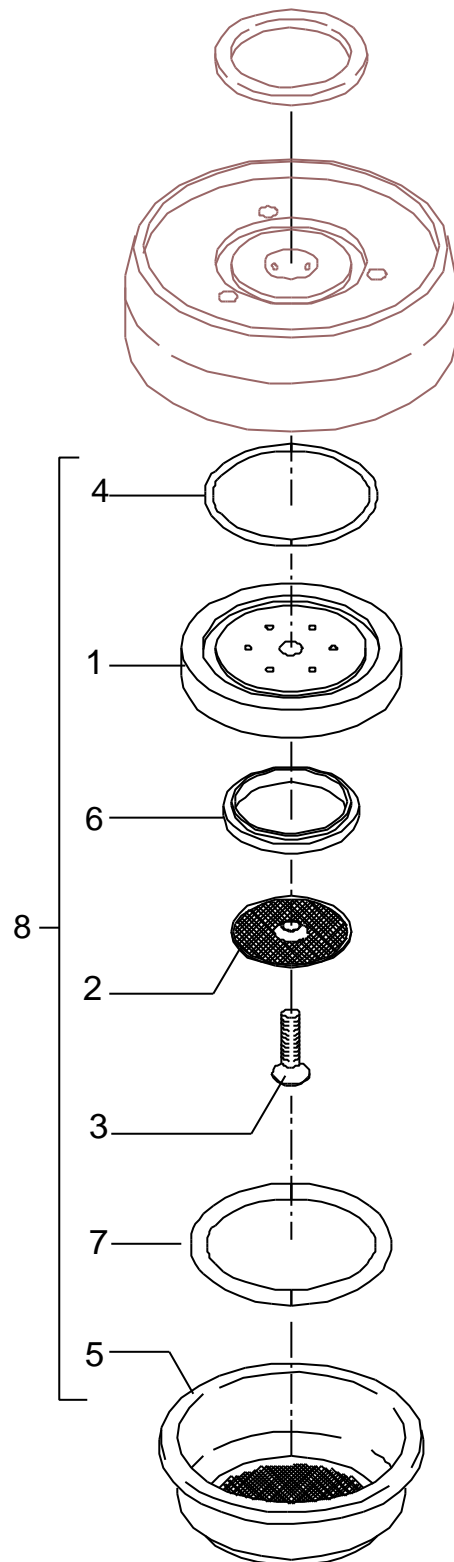
Tav. 05 CAPSULE KIT

POS	DESCRIPTION	CODE	REFERENCE
1	GASKET D68 X 54 X 6 EPDM 75SH	5493028	-
2	PLUG GASKET OF VALVE SILICONE	5493021	-
3	SPRING D6 H14 AISI 302	5471516	-
4	JET M12 X 8.8 HOLE D1.5 OT	5223021	-
5	FILTER-HOLDER SPRING D1.2 AISI 302	5471527	-
6	FILTER-HOLDER BODY OT CHROMED	5286003CM	-
7	ASSEMBLY HANDLE ABS GREY	5963013	H 880G
8	SPOUT 1 WAY SHORT	7288505	H 849
9	RING FOR CAPSULE ADAPTER(UP TO 14/04/08)	5195502	-
9	RING FOR CAPSULE ADAPTER(FROM 15/04/08)	5195510	-
10	ASSEMBLY FILTER-HOLDER POD VERSION (UP TO 14/04/08)	5965517	-
10	ASSEMBLY FILTER-HOLDER POD VERSION 2008 (FROM 15/04/08)	5965517.01	-
11	HOBBY CAPSULE KIT (UP TO 14/04/08)	5973033	-
11	HOBBY CAPSULE KIT 2008 (FROM 15/04/08)	5973033.01	-
12	ASSEMBLY FILTER-HOLDER	5965516	-



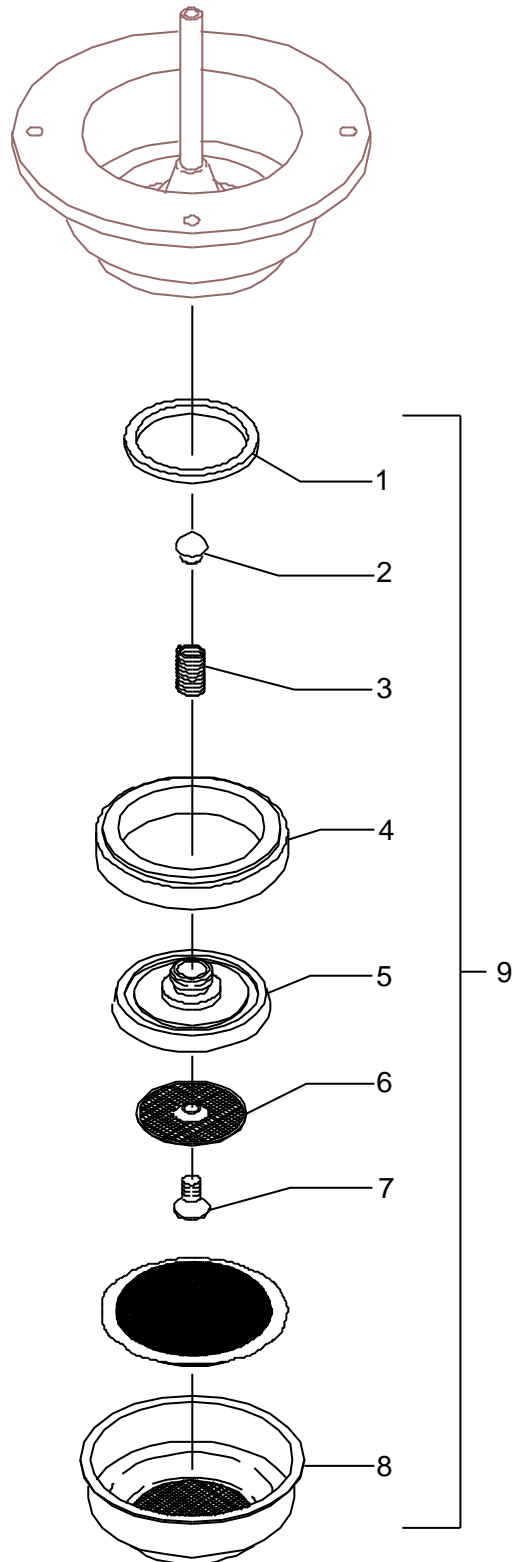


POS	DESCRIPTION	CODE	REFERENCE
1	SHOWER-HOLDER D58 H4	5285510	-
2	SHOWER D32 AISI 304	5470507	A/P 171
3	SCREW TPS M5X12 DIN 963 A2	7817007	A 120
4	OR GASKET 40,94X2,62 EPT70	7496074	-
5	FILTER 1 CUP 5 GRAMS	5471010	H 874
6	SPACER RING	5195509NC	-
7	OR GASKET 43,82X5,33	7496071	-
8	POD KIT	5973049.01	-





POS	DESCRIPTION	CODE	REFERENCE
1	OR GASKET 3131 VITON	7496059	-
2	PLUG GASKET OF VALVE SILICONE	5493021	-
3	SPRING D6 H14 AISI 302	5471516	-
4	GASKET D55 X 44 X 9 SILICONE	5493020	-
5	SHOWER-HOLDER D45 OT	5285503	-
6	SHOWER D32 AISI 304	5470507	A/P 171
7	SCREW TPS M4X8 UNI 5933 A2	7817602	C 624
8	FILTER 1 CUP AISI 304	5471014	-
9	HOBBY POD KIT	5973034	-





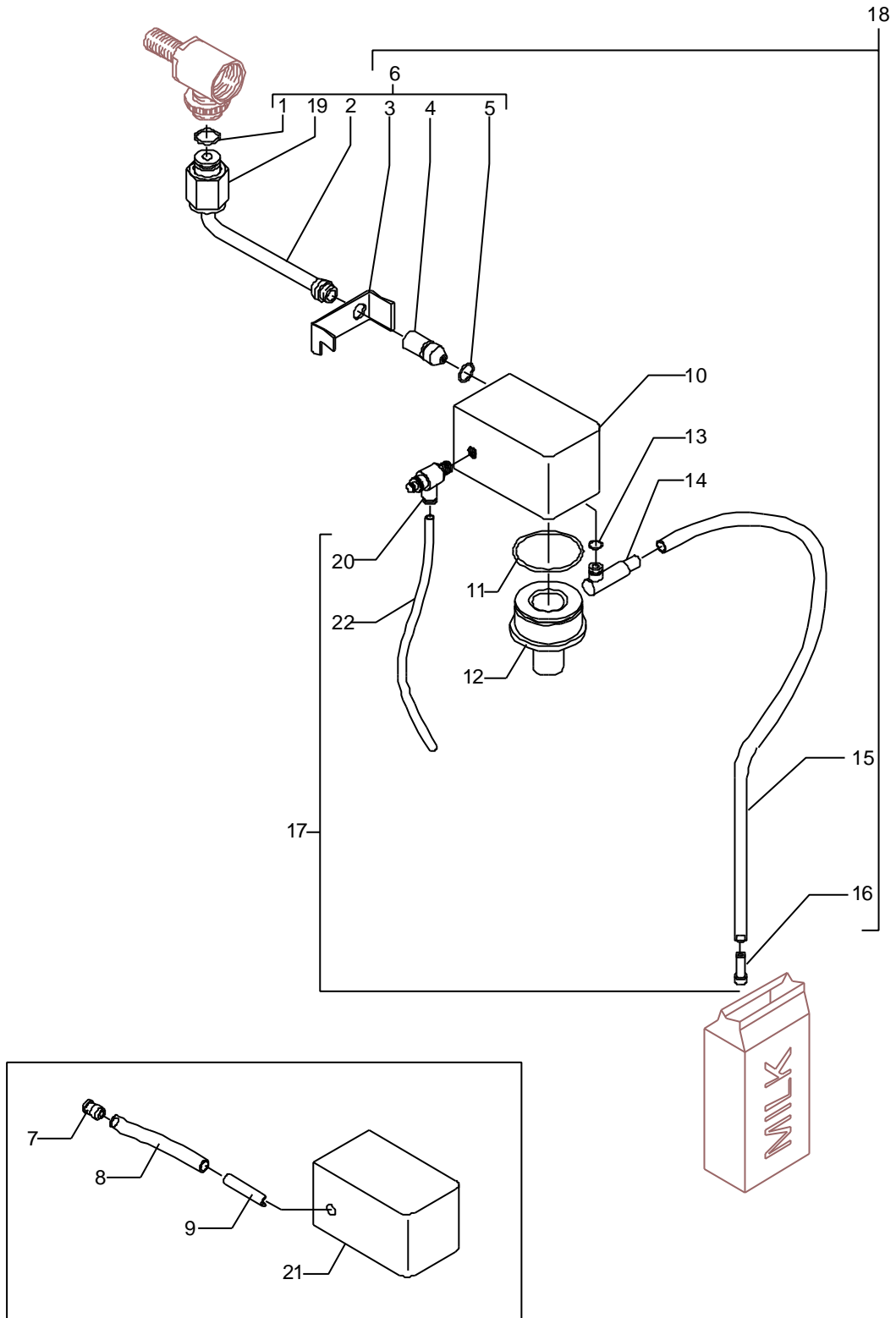
BEZZERA
dal 1901

Tav. 08 FOAMER
(up to 28.02.2007)

POS	DESCRIPTION	CODE	REFERENCE
1	OR GASKET 112 EPDM 70SH	7496076	-
2	FOAMER CROMED PIPE	5163079CM	J 752
3	FOAMER SUPPORT	5057834LW	F 1579
4	FITTING D11.5	5265202	F 1547
5	OR GASKET D8X2 SILICONE	7496017	J 734
6	ASSY FOAMER HOLDER	5976503	J 753
7	JET HOLE D0.8	5223020DC	F 1530
8	D8 X 1.5 SILICONE HOSE	5194532	J 754
9	INLET MILK HOSE	5194512	F 1534
10	FOAMER BODY	5371103	-
11	D36 X 2 SILICONE OR GASKET RED	7496051	J 735
12	SPOUT D45X49	5370302	F 1525
13	D5 X 1.5 SILICONE OR GASKET RED	7496058	J 733
14	RUBBER-HOLDER D10 H41	5191002	F 1625
15	D8 X 1.5 L=550 SILICONE HOSE	5194533	J 755
16	TERMINAL D8X3 H19.5 PTFE	5194003	F 1548
17	FOAMER WITH SPOUT	5976505.01	-
18	COMPLETE FOAMER	5976501.01	-
19	NUT M18 NICKEL-PLATED	5221871NC	-
20	REGULATOR	7402401	-
21	FOAMER BODY FOR OLD VERSION	5371103LL	-
22	FOAMER CLEANING PIPE	5194545	-

Mod. B2000
B3000
B4000
ELLISSE
GALATEA
ARENA

Tav. 08 FOAMER
(up to 28.02.2007)





BEZZERA
dal 1901

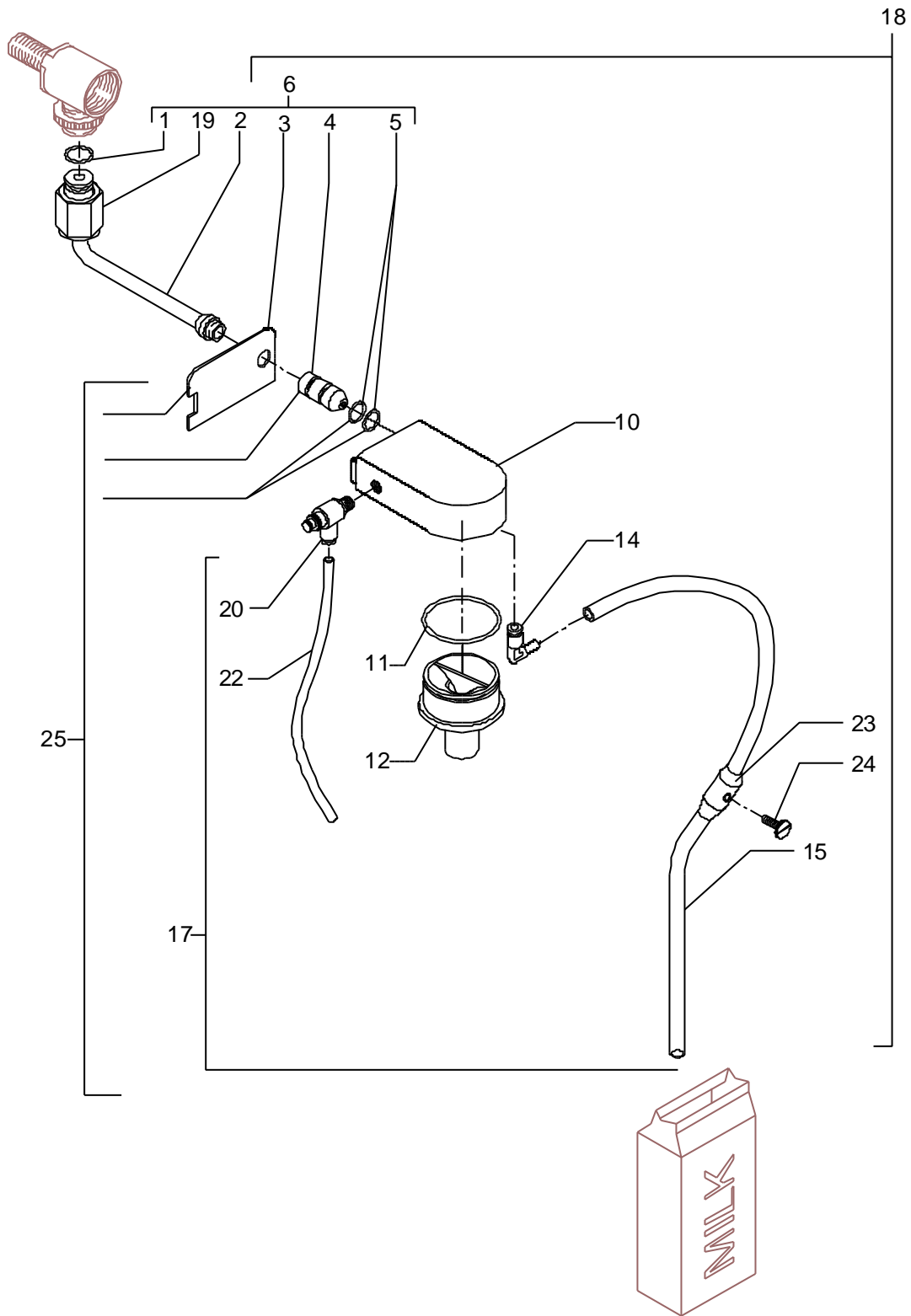
Tav. 08 FOAMER
(from 01.03.2007)

POS	DESCRIPTION	CODE	REFERENCE
1	OR GASKET 112 EPDM 70SH	7496076	-
2	FOAMER CROMED PIPE	5163079CM	-
3	FOAMER SUPPORT	5055742	-
4	FITTING D11.5	5370312	-
5	OR GASKET D8X2 SILICONE	7496017	-
6	ASSY FOAMER HOLDER	5976526	-
10	FOAMER BODY	5371104	-
11	OR GASKET 28,3X1,78 EPEM70	7496082	-
12	SPOUT	5370307	-
14	RUBBER-HOLDER	7303031	-
15	D8 X 1.5 L=550 SILICONE HOSE	5194533	-
17	FOAMER WITH SPOUT	5976530	-
18	COMPLETE FOAMER	5976531	-
19	NUT M18 NICKEL-PLATED	5221871NC	-
20	REGULATOR	7402401	-
22	FOAMER CLEANING PIPE	5194545	-
23	CHOKE	5370309	-
24	SCREW TC M5X12	7374013	-
25	ASSY COMPLETE FOAMER	5976538	-

Mod. B2000
B3000
B4000
ELLISSE
GALATEA
ARENA

Tav. 08 FOAMER
(from 01.03.2007)

BEZZERA 
dal 1901

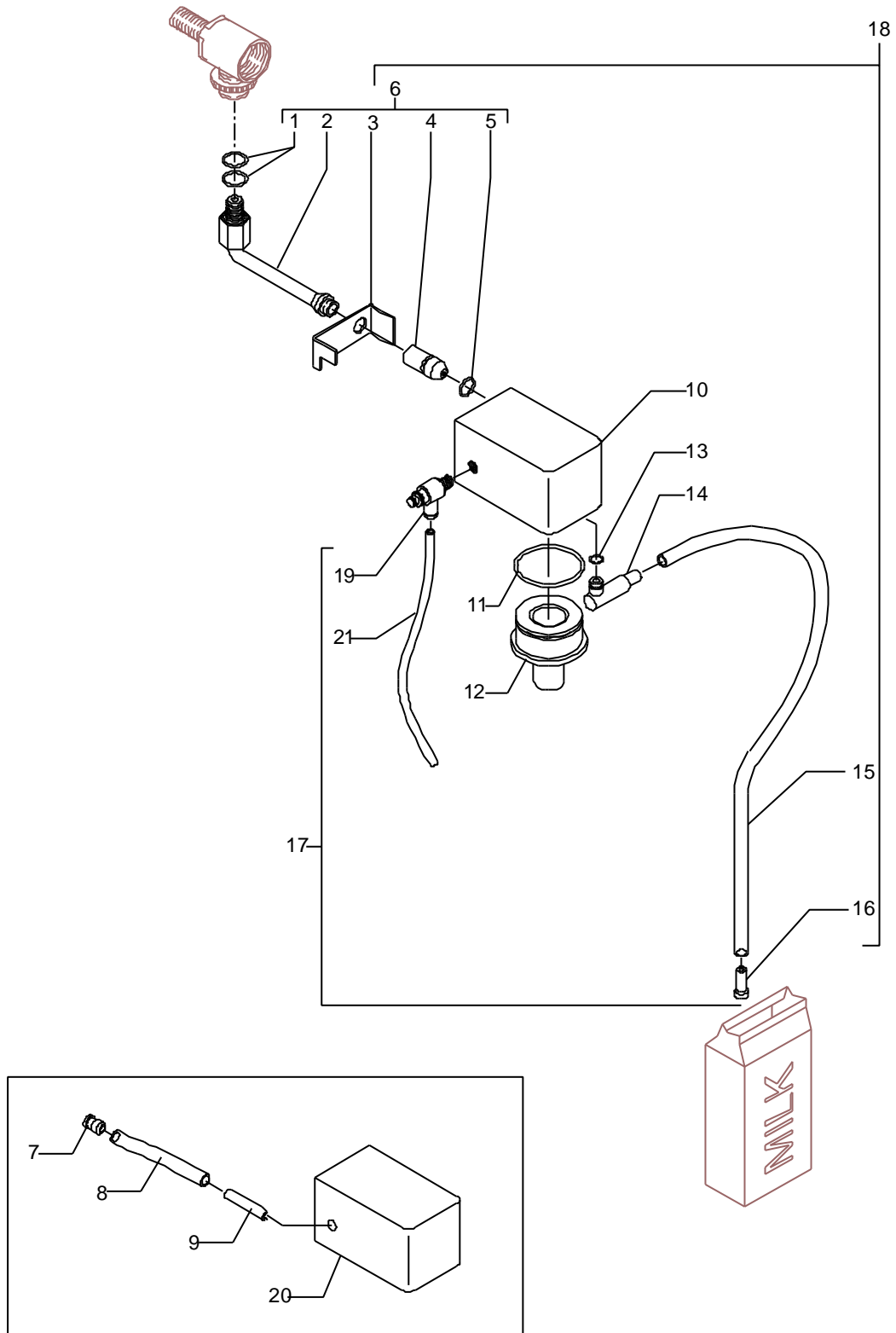




BEZZERA
dal 1901

Tav. 09 FOAMER
(up to 28.02.2007)

POS	DESCRIPTION	CODE	REFERENCE
1	OR GASKET D6 X 2 VITON	7496037	LI 1
2	FOAMER CROMED PIPE	5163114CM	J 759
3	FOAMER SUPPORT	5057834LW	F 1579
4	FITTING D11.5	5265202	F 1547
5	OR GASKET D8X2 SILICONE	7496017	J 734
6	ASSY FOAMER HOLDER	5976504	J 760
7	JET HOLE D0.8	5223020DC	F 1530
8	D8 X 1.5 SILICONE HOSE	5194532	J 754
9	INLET MILK HOSE	5194512	F 1534
10	FOAMER BODY	5371103	-
11	D36 X 2 SILICONE OR GASKET RED	7496051	J 735
12	SPOUT D45X49	5370302	F 1525
13	D5 X 1.5 SILICONE OR GASKET RED	7496058	J 733
14	RUBBER-HOLDER D10 H41	5191002	F 1625
15	D8 X 1.5 L=550 SILICONE HOSE	5194533	J 755
16	TERMINAL D8X3 H19.5 PTFE	5194003	F 1548
17	FOAMER WITH SPOUT	5976505.01	-
18	COMPLETE FOAMER	5976502.01	-
19	REGULATOR	7402401	-
20	FOAMER BODY FOR OLD VERSION	5371103LL	-
21	FOAMER CLEANING PIPE	5194545	-





BEZZERA
dal 1901

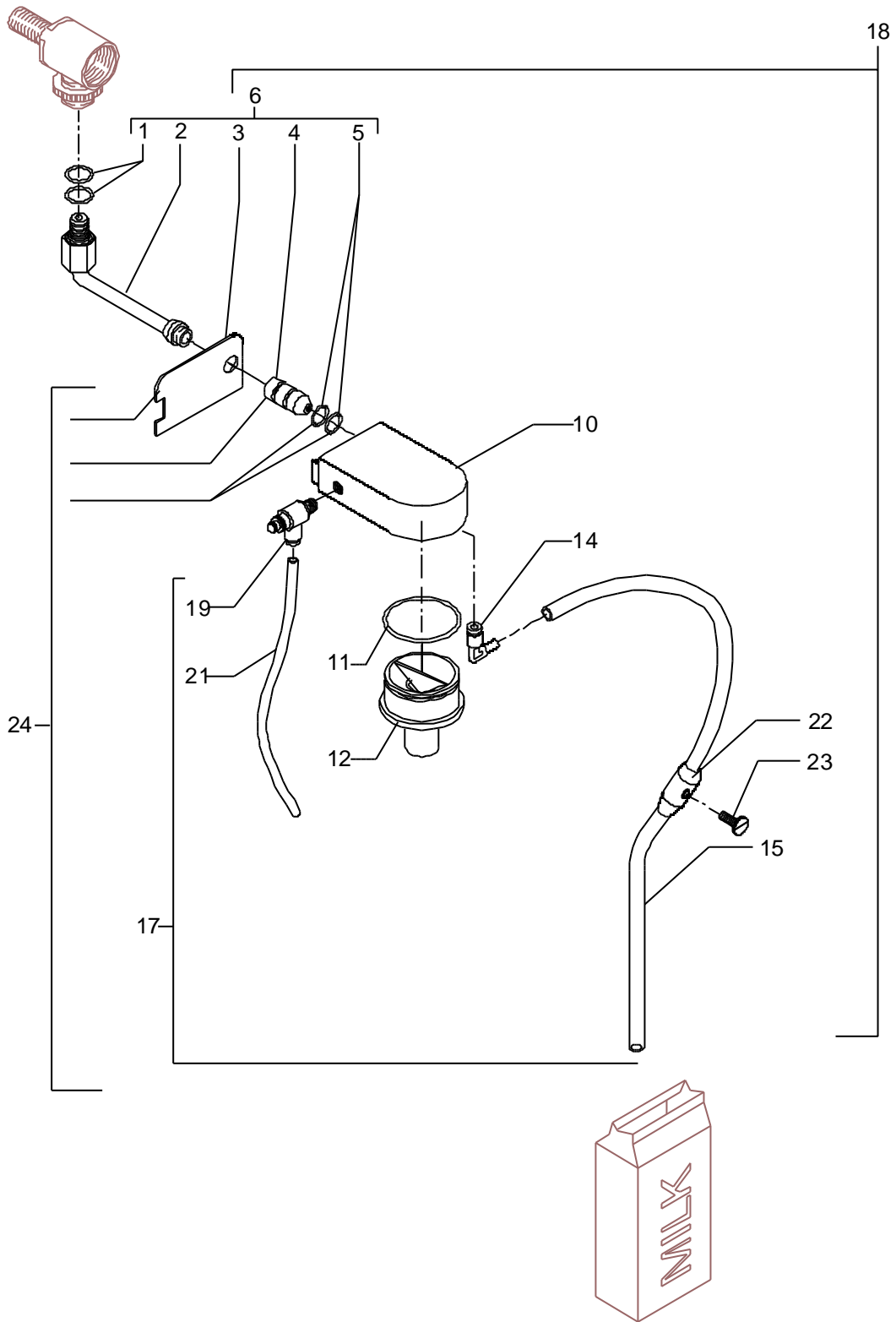
Tav. 09 FOAMER
(from 01.03.2007)

POS	DESCRIPTION	CODE	REFERENCE
1	OR GASKET D6 X 2 VITON	7496037	-
2	FOAMER CROMED PIPE	5163114CM	-
3	FOAMER SUPPORT	5055742	-
4	FITTING D11.5	5370312	-
5	OR GASKET D8X2 SILICONE	7496017	-
6	ASSY FOAMER HOLDER	5976529	-
10	FOAMER BODY	5371104	-
11	OR GASKET 28,3X1,78 EPDM70	7496082	-
12	SPOUT	5370307	-
14	RUBBER-HOLDER	7303031	-
15	D8 X 1.5 L=550 SILICONE HOSE	5194533	-
17	FOAMER WITH SPOUT	5976530	-
18	COMPLETE FOAMER	5976533	-
19	REGULATOR	7402401	-
21	FOAMER CLEANING PIPE	5194545	-
22	CHOKE	5370309	-
23	SCREW TC M5X12	7374013	-
24	ASSY COMPLETE FOAMER	5976538	-

Mod. BZ99
BZ35
BZ40

Tav. 09 FOAMER
(from 01.03.2007)

BEZZERA 
dal 1901

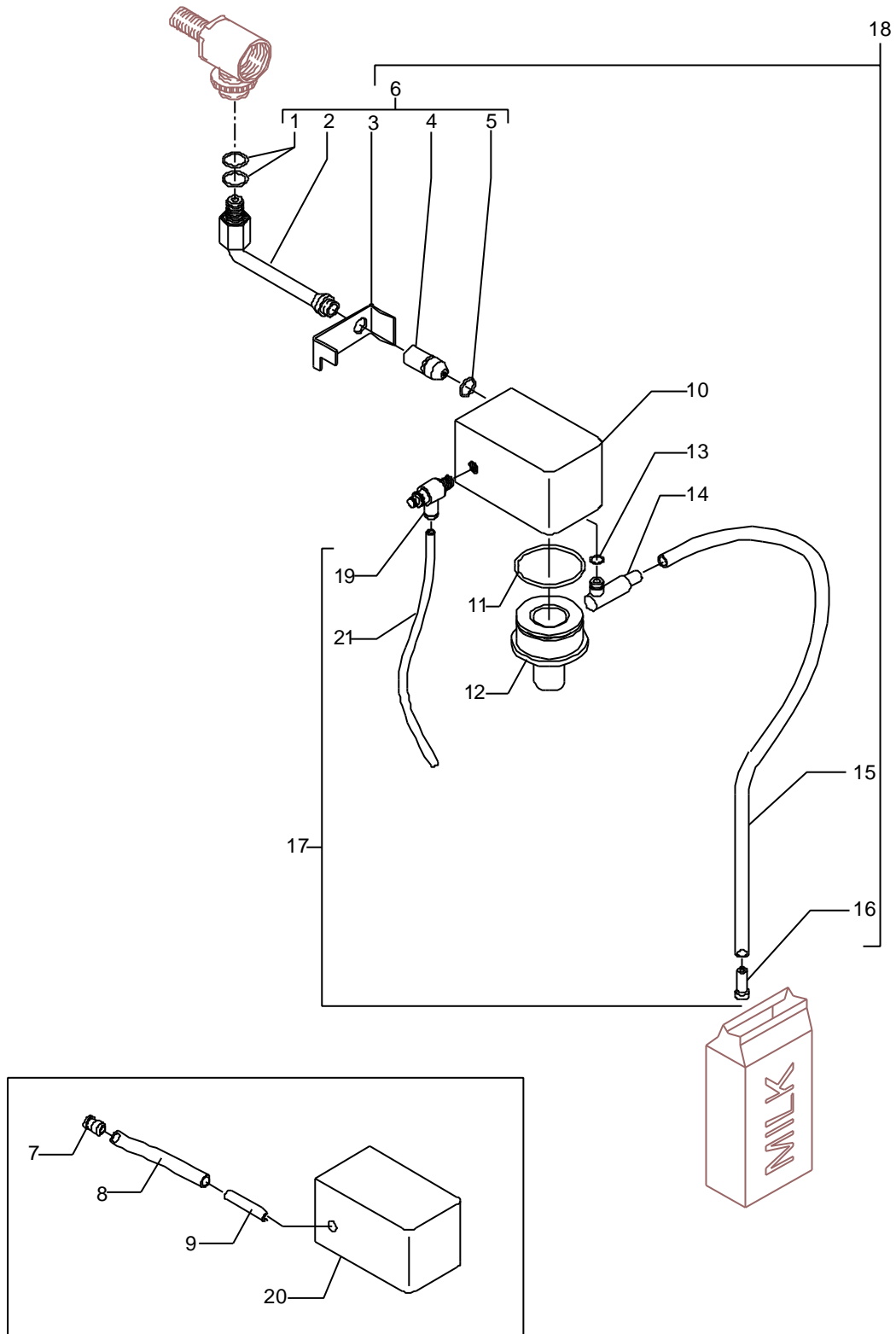




BEZZERA
dal 1901

Tav. 10 FOAMER
(up to 28.02.2007)

POS	DESCRIPTION	CODE	REFERENCE
1	OR GASKET D6 X 2 VITON	7496037	LI 1
2	FOAMER CROMED PIPE	5163146CM	-
3	FOAMER SUPPORT	5057834LW	F 1579
4	FITTING D11.5	5265202	F 1547
5	OR GASKET D8X2 SILICONE	7496017	J 734
6	ASSY FOAMER HOLDER	5976510	-
7	JET HOLE D0.8	5223020DC	F 1530
8	D8 X 1.5 SILICONE HOSE	5194532	-
9	INLET MILK HOSE	5194512	F 1534
10	FOAMER BODY	5371103	-
11	D36 X 2 SILICONE OR GASKET RED	7496051	J 735
12	SPOUT D45X49	5370302	F 1525
13	D5 X 1.5 SILICONE OR GASKET RED	7496058	J 733
14	RUBBER-HOLDER D10 H41	5191002	F 1625
15	D8 X 1.5 L=550 SILICONE HOSE	5194533	J 755
16	TERMINAL D8X3 H19.5 PTFE	5194003	F 1548
17	FOAMER WITH SPOUT	5976505.01	-
18	COMPLETE FOAMER	5976511.01	-
19	REGULATOR	7402401	-
20	FOAMER BODY FOR OLD VERSION	5371103LL	-
21	FOAMER CLEANING PIPE	5194545	-

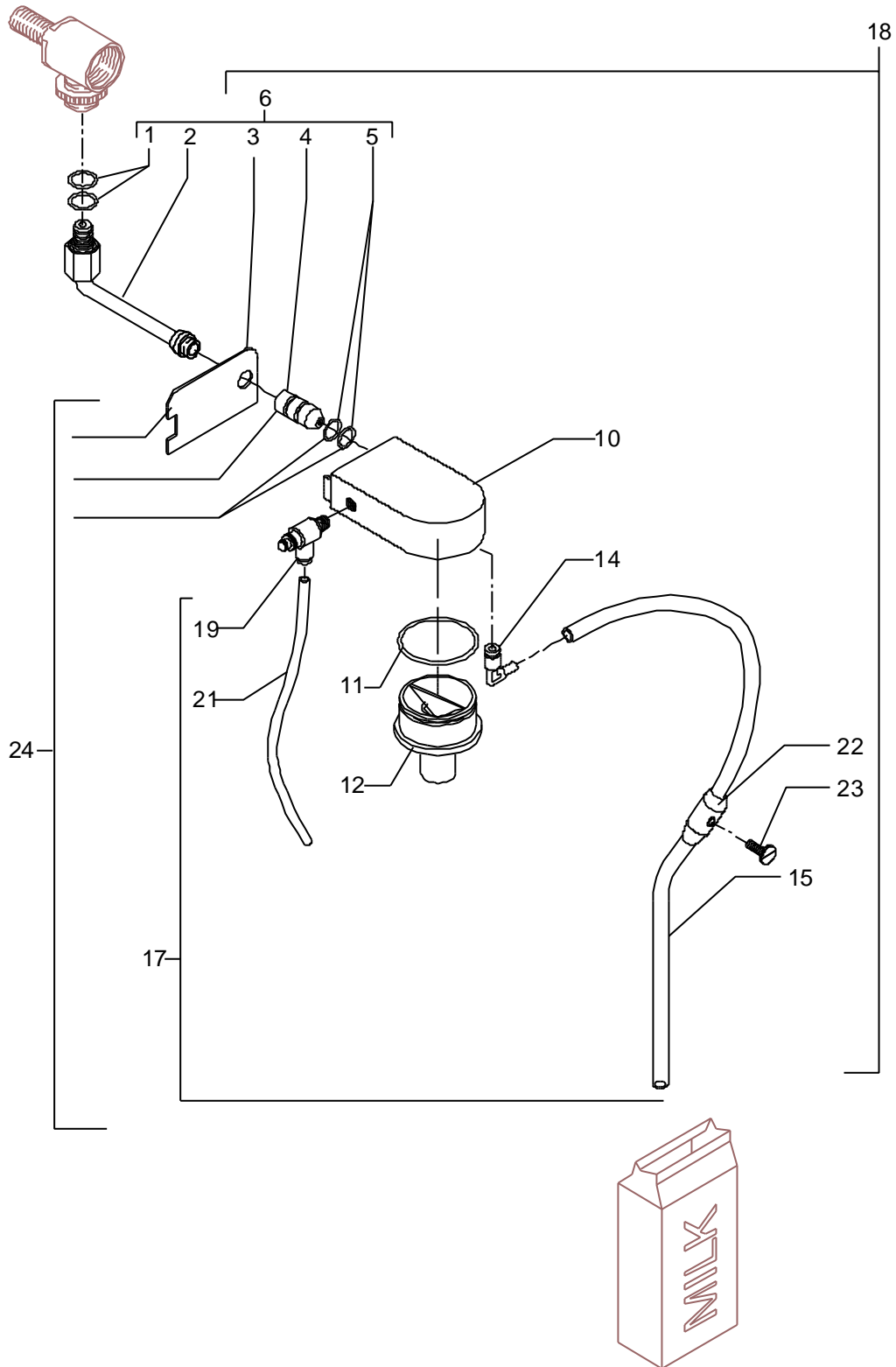




BEZZERA
dal 1901

Tav. 10 FOAMER
(from 01.03.2007)

POS	DESCRIPTION	CODE	REFERENCE
1	OR GASKET D6 X 2 VITON	7496037	-
2	FOAMER CROMED PIPE	5163146CM	-
3	FOAMER SUPPORT	5055742	-
4	FITTING D11.5	5370312	-
5	OR GASKET D8X2 SILICONE	7496017	-
6	ASSY FOAMER HOLDER	5976528	-
10	FOAMER BODY	5371104	-
11	OR GASKET 28,3X1,78 EPDM70	7496082	-
12	SPOUT	5370307	-
14	RUBBER-HOLDER	7303031	-
15	D8 X 1.5 L=550 SILICONE HOSE	5194533	-
17	FOAMER WITH SPOUT	5976530	-
18	COMPLETE FOAMER	5976532	-
19	REGULATOR	7402401	-
21	FOAMER CLEANING PIPE	5194545	-
22	CHOKE	5370309	-
23	SCREW TC M5X12	7374013	-
24	ASSY COMPLETE FOAMER	5976538	-

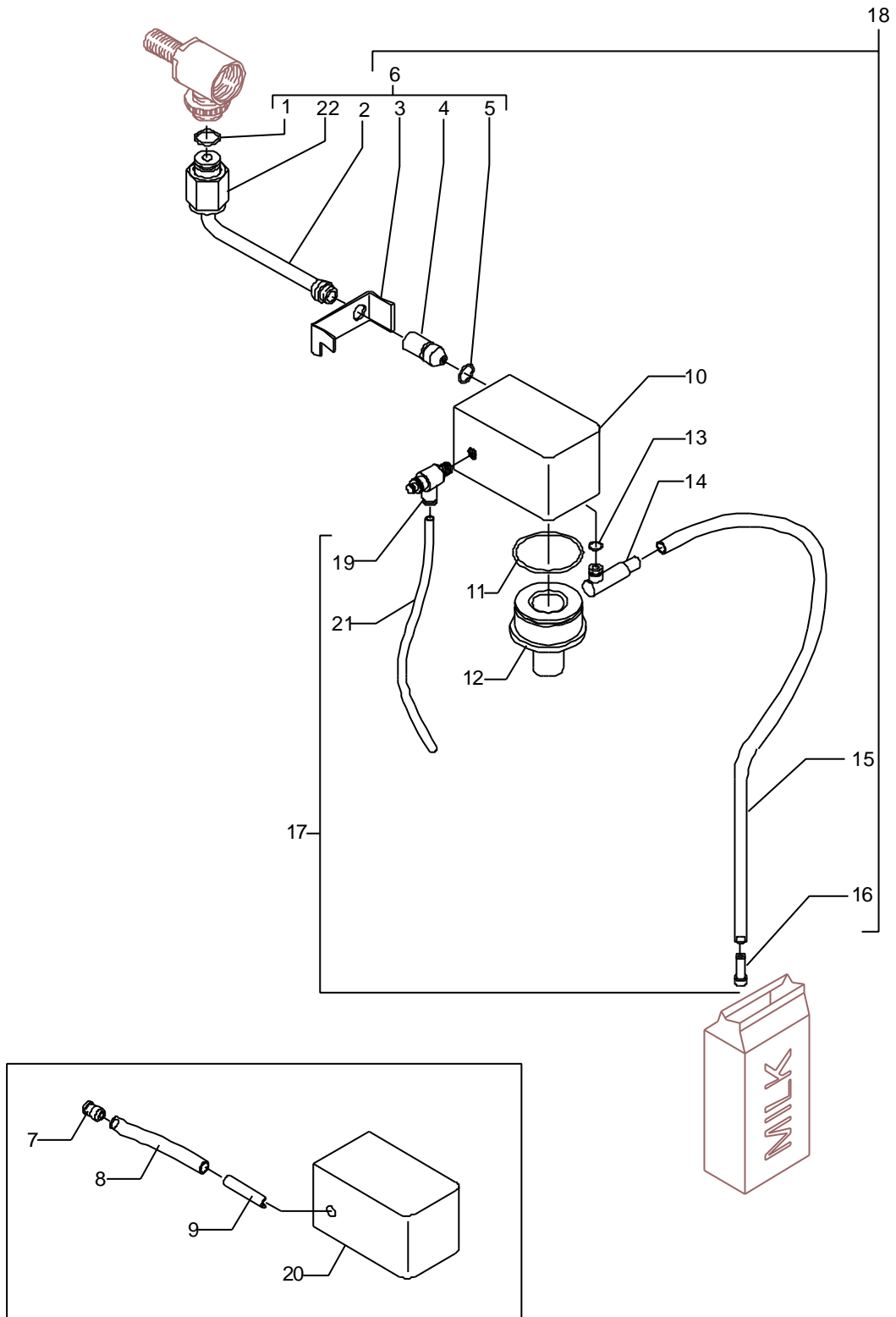




BEZZERA
dal 1901

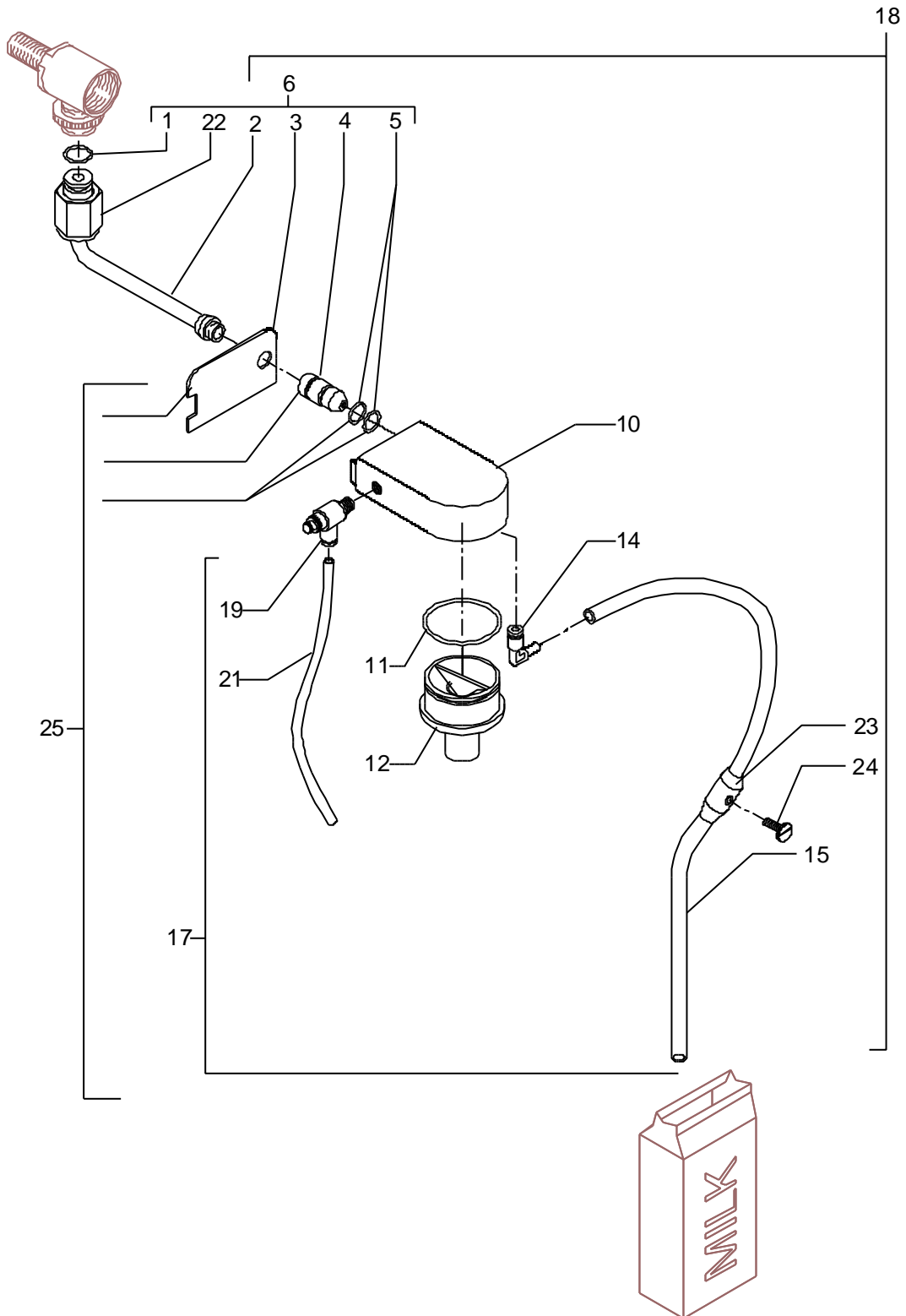
Tav. 11 FOAMER
(up to 28.02.2007)

POS	DESCRIPTION	CODE	REFERENCE
1	OR GASKET 112 EPDM 70SH	7496076	-
2	FOAMER CROMED PIPE	5163166CM	-
3	FOAMER SUPPORT	5057834LW	F 1579
4	FITTING D11.5	5265202	F 1547
5	OR GASKET D8X2 SILICONE	7496017	J 734
6	ASSY FOAMER HOLDER	5976518	-
7	JET HOLE D0.8	5223020DC	F 1530
8	D8 X 1.5 SILICONE HOSE	5194532	J 754
9	INLET MILK HOSE	5194512	F 1534
10	FOAMER BODY	5371103	-
11	D36 X 2 SILICONE OR GASKET RED	7496051	J 735
12	SPOUT D45X49	5370302	F 1525
13	D5 X 1.5 SILICONE OR GASKET RED	7496058	J 733
14	RUBBER-HOLDER D10 H41	5191002	F 1625
15	D8 X 1.5 L=550 SILICONE HOSE	5194533	J 755
16	TERMINAL D8X3 H19.5 PTFE	5194003	F 1548
17	FOAMER WITH SPOUT	5976505.01	-
18	COMPLETE FOAMER	5976519.01	-
19	REGULATOR	7402401	-
20	FOAMER BODY FOR OLD VERSION	5371103LL	-
21	FOAMER CLEANING PIPE	5194545	-
22	NUT M18 NICKEL-PLATED	5221871NC	-

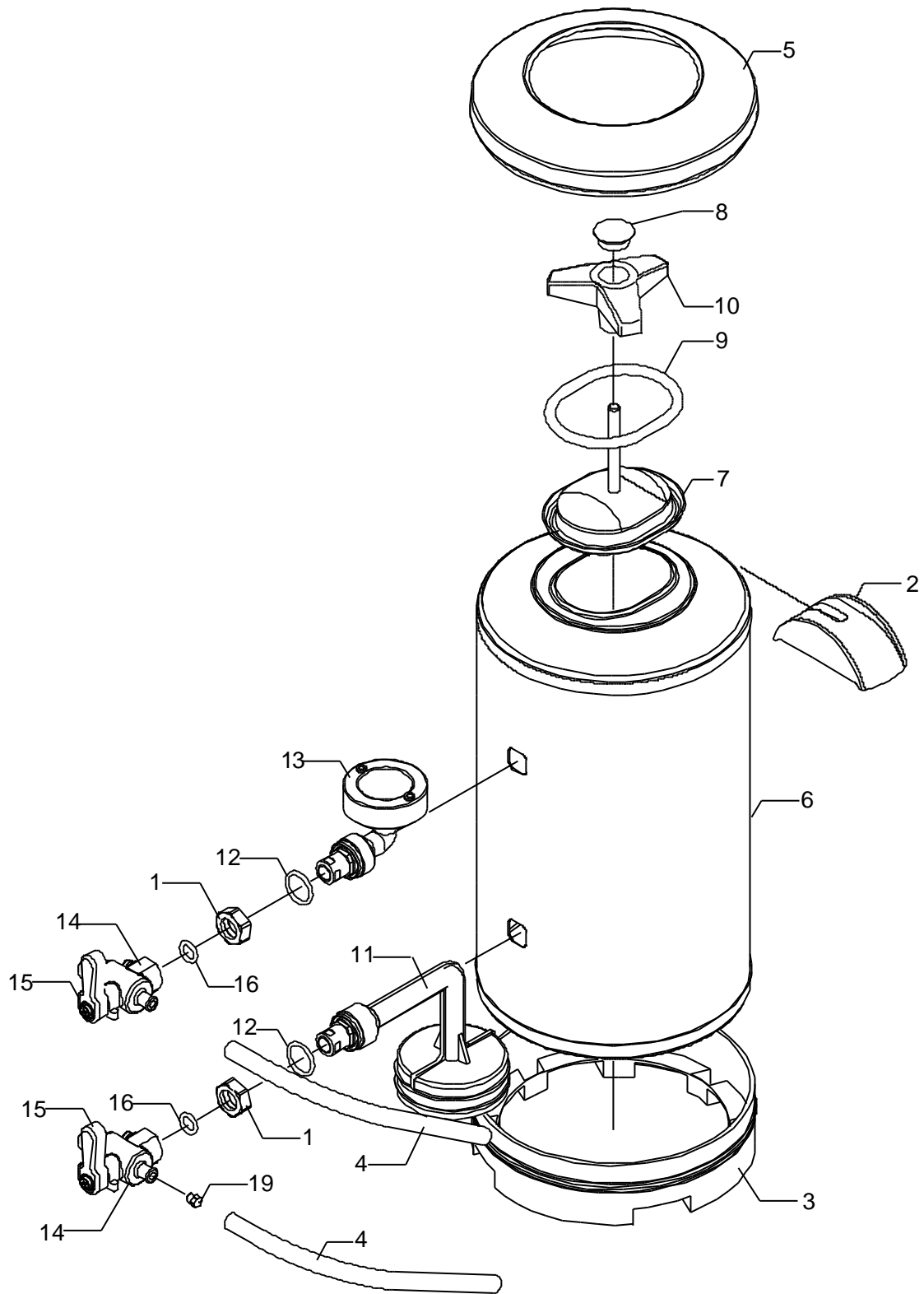




POS	DESCRIPTION	CODE	REFERENCE
1	OR GASKET 112 EPDM 70SH	7496076	-
2	FOAMER CROMED PIPE	5163166CM	-
3	FOAMER SUPPORT	5055742	-
4	FITTING D11.5	5370312	-
5	OR GASKET D8X2 SILICONE	7496017	-
6	ASSY FOAMER HOLDER	5976527	-
10	FOAMER BODY	5371104	-
11	OR GASKET 28,3X1,78 EPEM70	7496082	-
12	SPOUT	5370307	-
14	RUBBER-HOLDER	7303031	-
15	D8 X 1.5 L=550 SILICONE HOSE	5194533	-
17	FOAMER WITH SPOUT	5976530	-
18	COMPLETE FOAMER	5976534	-
19	REGULATOR	7402401	-
21	FOAMER CLEANING PIPE	5194545	-
22	NUT M18 NICKEL-PLATED	5221871NC	-
23	CHOKE	5370309	-
24	SCREW TC M5X12	7374013	-
25	ASSY COMPLETE FOAMER	5976538	-



POS	DESCRIPTION	CODE	REFERENCE
1	NUT FILTER	7990301	-
2	BRACKET PLUG	7990302	-
3	BASEMENT	7990303	-
4	DRAIN LITTLE HOSE	7990304	-
5	PROFILE	7990334	-
6	TANK LT 8	7990306	-
6	TANK LT 12	7990307	-
6	TANK LT 16	7990308	-
6	TANK LT 20	7990309	-
7	PLUG BODY WITH TIE ROD	7990310	-
8	CAP NUT	7990311	-
9	PLUG GASKET	7990312	-
10	PLUG KNOB	7990313	-
11	OUTLET FILTER	7374009	-
12	O-RING GASKET	7990314	-
13	INLET FILTER	7374008	-
14	TAP	7990315	-
15	TAP KNOB	7473601	-
16	O-RING GASKET	7990316	-
19	JET M6X9 HOLE D0.6	5223006	-



POS	DESCRIPTION	CODE	REFERENCE
1	NUT FILTER	7990317	-
2	BRACKET VALVE	7990335	-
3	NUT M8	7990318	-
4	SCREW M8x35	7990319	-
5	OUTSIDE SPACER	7990320	-
6	BASEMENT	7990303	-
7	BRACKET PLUG	7990302	-
8	MASK	7990321	-
9	DRAIN LITTLE HOSE	7990304	-
10	TANK LT 8	7990322	-
10	TANK LT 12	7990323	-
10	TANK LT 16	7990324	-
10	TANK LT 20	7990325	-
11	OUTLET FILTER BP08	7990326	-
11	OUTLET FILTER BP12	7990327	-
11	OUTLET FILTER BP16	7990328	-
11	OUTLET FILTER BP20	7990329	-
12	O-RING GASKET 3068	7990330	-
13	INLET FILTER BP	7990331	-
14	VALVE BP	7990332	-
15	O-RING GASKET 112	7990333	-
16	PLUG BODY WITH TIE ROD	7990310	-
17	CAP NUT M8	7990311	-
18	PLUG GASKET	7990312	-
19	PLUG KNOB	7990313	-
20	PROFILE	7990334	-

