

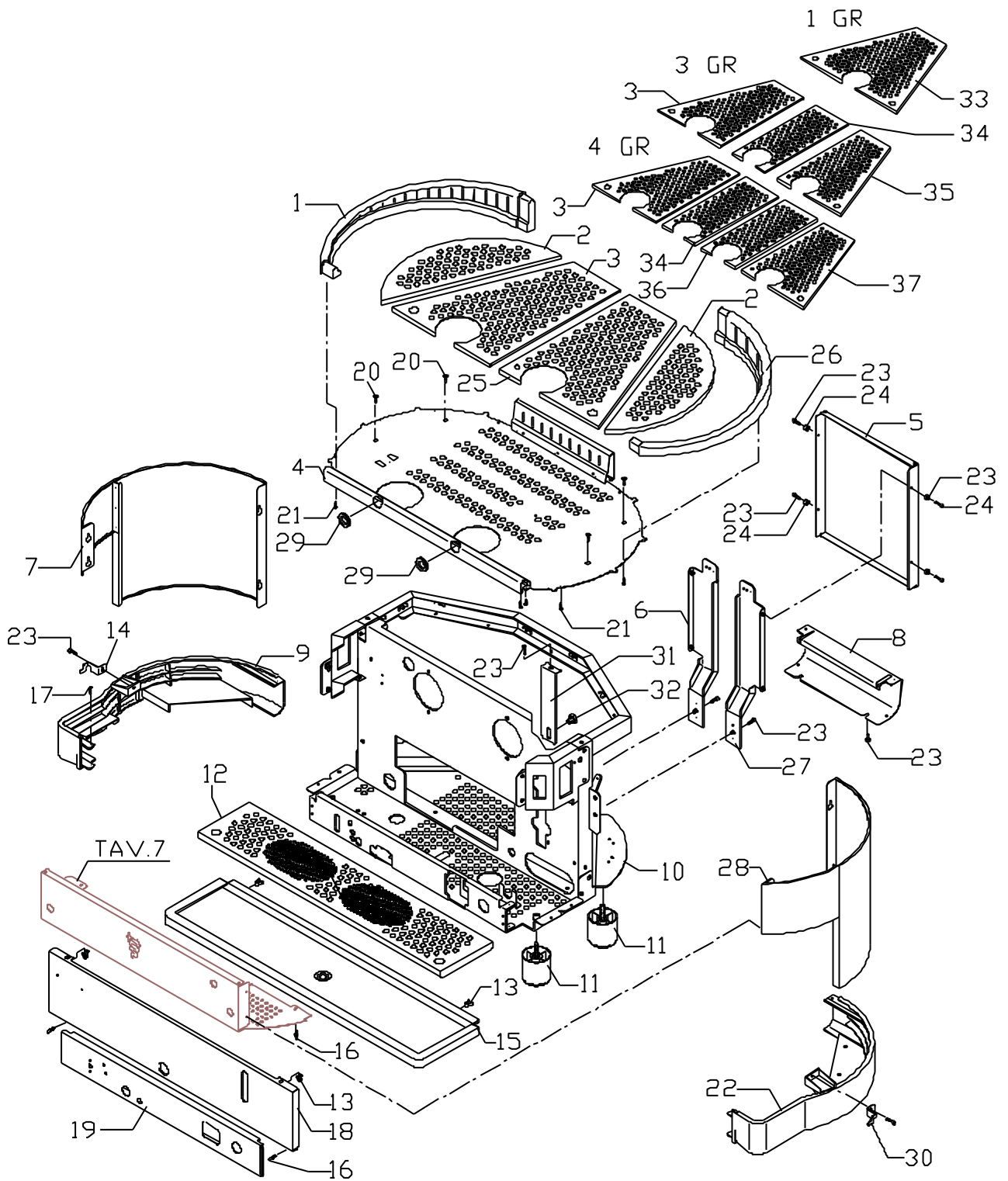


ELLISSE AL (EBBIS AL) from 03/2006



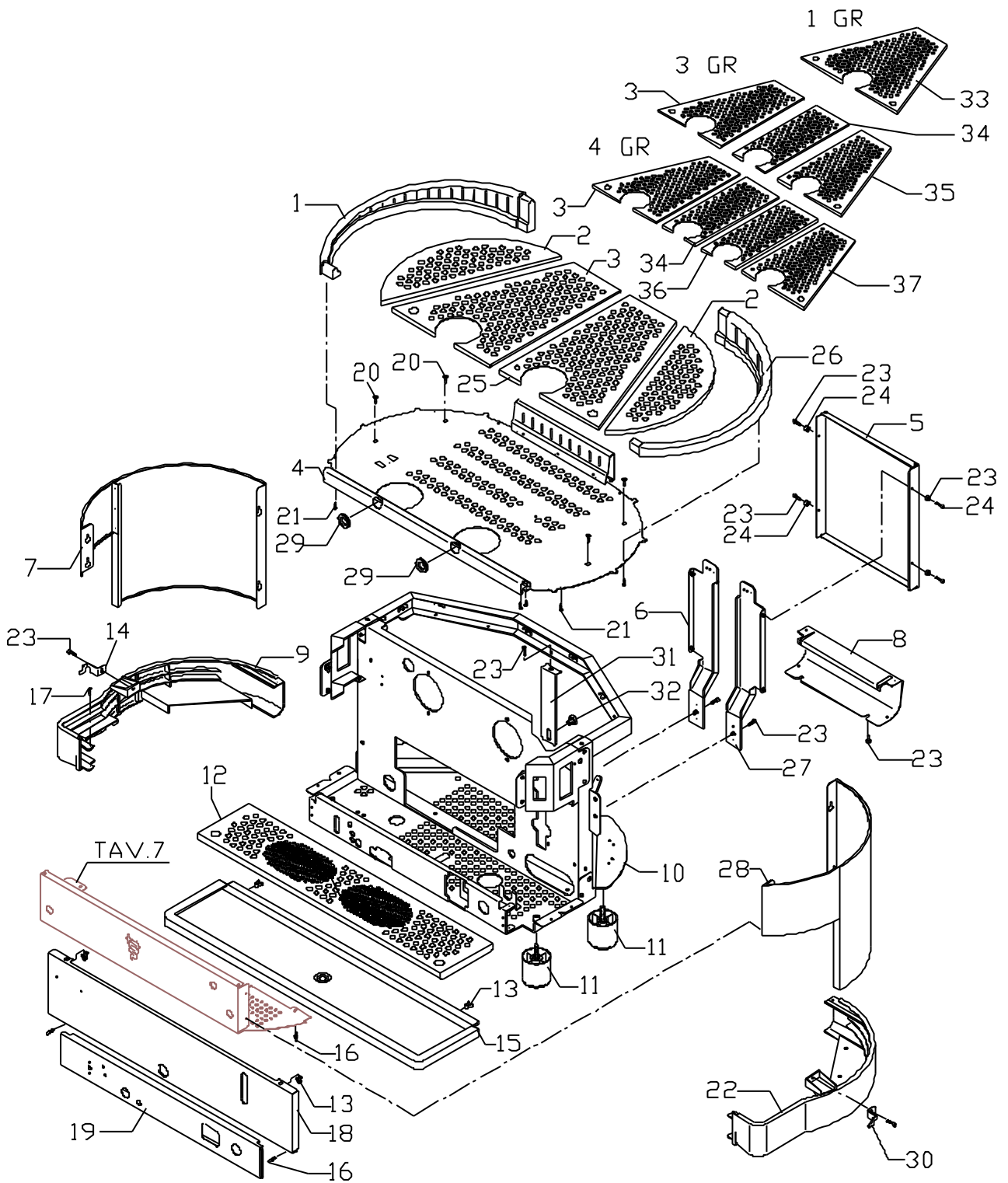


POS	DESCRIPTION	CODE	REFERENCE
1	LEFT CUPS-HEATER FRAME BLUE	5375108	KEY 126B
1	LEFT CUPS-HEATER FRAME GREY	5375107	KEY 113G
2	LATERAL CUPS-HEATER GRID 1-2-3-4 GR	5074501LW	KEY 047P
3	CENTRAL LEFT CUPS-HEATER GRID 2-3-4GR	5074574LW	PRT 232P
4	ASSEMBLY CUPS-HEATER 1GR GOLD	5343024	-
4	ASSEMBLY CUPS-HEATER 1GR STAINLESS STEEL	5343023	-
4	ASSEMBLY CUPS-HEATER 2GR GOLD	5343026	-
4	ASSEMBLY CUPS-HEATER 2GR STAINLESS STEEL	5343025	-
4	ASSEMBLY CUPS-HEATER 3GR GOLD	5343028	-
4	ASSEMBLY CUPS-HEATER 3GR STAINLESS STEEL	5343027	-
4	ASSEMBLY CUPS-HEATER 4GR GOLD	5343030	-
4	ASSEMBLY CUPS-HEATER 4GR STAINLESS STEEL	5343029	-
5	REAR PANEL 1GR GOLD	5095101DT	-
5	REAR PANEL 1GR STAINLESS STEEL SATINED	5095101LW	KEY 041P
5	REAR PANEL 1GR RED RAL 3000	5095101VT	-
5	REAR PANEL 2GR GOLD	5095102DT	-
5	REAR PANEL 2GR STAINLESS STEEL SATINED	5095102LW	KEY 010P
5	REAR PANEL 2GR RED RAL 3000	5095102VT	-
5	REAR PANEL 3GR GOLD	5095103DT	-
5	REAR PANEL 3GR STAINLESS STEEL SATINED	5095103LW	KEY 040P
5	REAR PANEL 3GR RED RAL 3000	5095103VT	-
5	REAR PANEL 4GR STAINLESS STEEL SATINED	5095185LW	-
5	REAR PANEL 4GR GOLD	5095185DT	-
5	REAR PANEL 4GR RED RAL 3000	5095185VT	-
6	REAR BRACKET 1GR	5018101LL	-
6	REAR LEFT BRACKET 2-3-4GR	5018103LL	-
7	ASSEMBLY LEFT LATERAL SIDE GOLD	5343002DT	-
7	ASSEMBLY LEFT LATERAL SIDE STAINLESS STEEL SATINED	5343002	KEY 136P
7	ASSEMBLY LEFT LATERAL SIDE RED RAL 3000	5343002VT	-
8	CENTRAL SOCLE 1GR	5099001LW	KEY 035P
8	CENTRAL SOCLE 1GR GOLD	5099001DT	KEY 035P
8	CENTRAL SOCLE 2GR	5099002LW	KEY 019P
8	CENTRAL SOCLE 2GR GOLD	5099002DT	KEY 019P
8	CENTRAL SOCLE 3GR	5099003LW	KEY 027P
8	CENTRAL SOCLE 3GR GOLD	5099003DT	KEY 027P
8	CENTRAL SOCLE 4GR	5099004LW	-
8	CENTRAL SOCLE 4GR GOLD	5099004DT	-
9	LEFT SOCLE BLUE	5375104	KEY 124B
9	LEFT SOCLE GREY	5375103	KEY 111G
10	ASSEMBLY CHASSIS 1GR	5964550	-
10	ASSEMBLY CHASSIS 2GR	5964551	-
10	ASSEMBLY CHASSIS 3GR	5964552	-
10	ASSEMBLY CHASSIS 4GR	5964553	-
11	FEET D60 X 60 SHANK M8 X 20 BLUE	7474208	-
11	FEET D60 X 60 SHANK M8 X 20 GREY	7474207	-
12	DRIP TRAY GRID 1GR	5094501LW	KEY 089P
12	DRIP TRAY GRID 2GR	5094502LW	KEY 048P
12	DRIP TRAY GRID 3GR	5094503LW	KEY 088P
12	DRIP TRAY GRID 4GR	5094525LW	-
13	SHAPED SPRING	5471503	F 1541
14	SQUARE FOR LEFT PANEL SUPPORT	5037806LW	KEY 200PSX



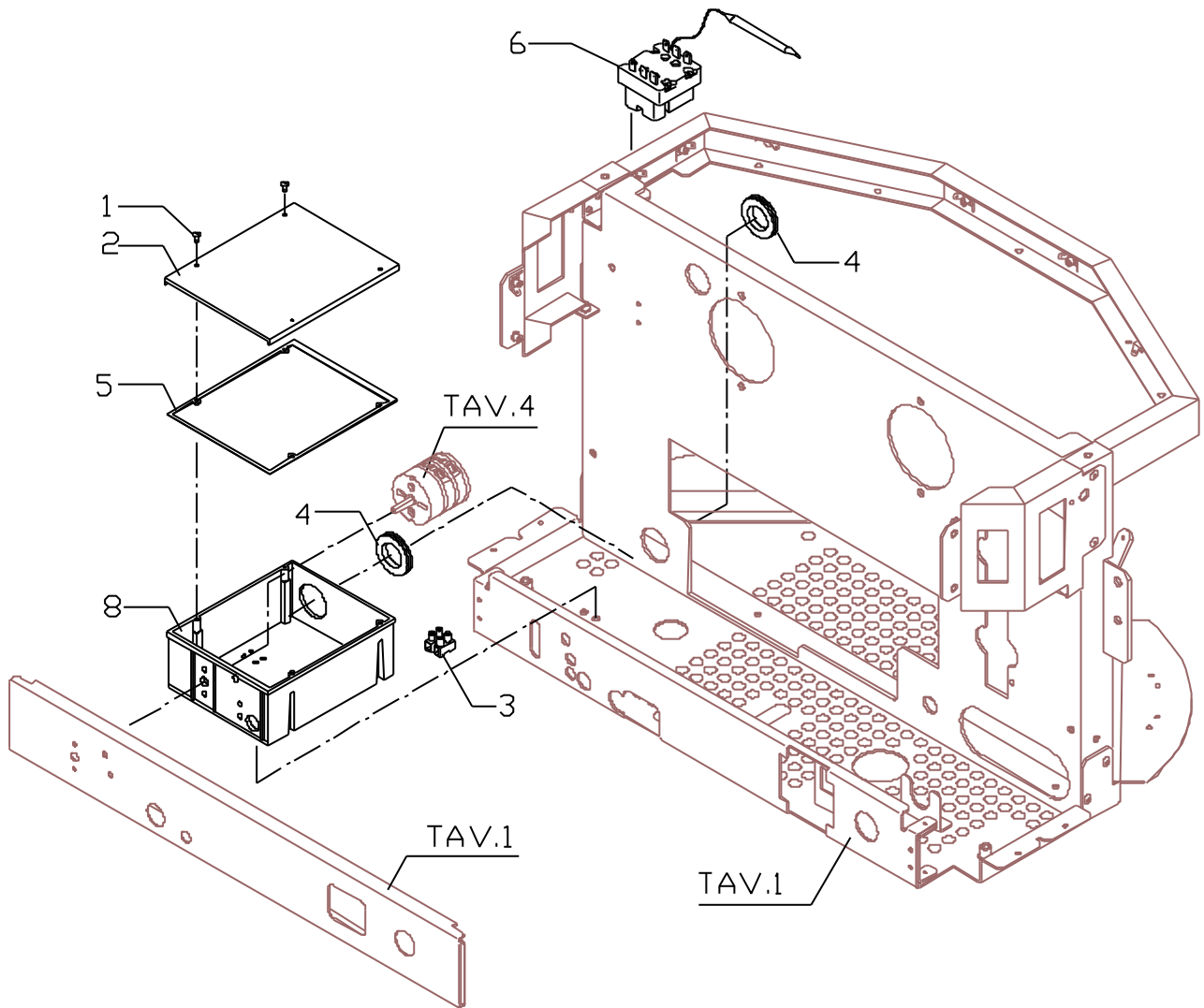


POS	DESCRIPTION	CODE	REFERENCE
15	DRIP TRAY 1GR. POLISHED	5070602DL	KEY 087P
15	DRIP TRAY 2GR. COMPACT POLISHED	5070603DL	KEY 049P
15	DRIP TRAY 3GR. COMPACT POLISHED	5070604DL	KEY 086P
15	DRIP TRAY 4GR. COMPACT POLISHED	5070629DL	-
16	STUD M4X22.6 AVP NICHEL-PLATED	5244008NC	KEY 061
17	TAPPING SCREW TB D2.9 X 9.5 UNI 6954 A2	7818002	F 1439
18	GROUP FRONTAL 1GR	5094355LW	-
18	GROUP FRONTAL 2GR	5094332LW	-
18	GROUP FRONTAL 3GR	5094337LW	-
18	GROUP FRONTAL 4GR	5094338LW	-
19	BASEMENT FRONTAL 1GR GREY	5094354SG	-
19	BASEMENT FRONTAL 2GR GREY	5094333SG	-
19	BASEMENT FRONTAL 3GR GREY	5094335SG	-
19	BASEMENT FRONTAL 4GR GREY	5094340SG	-
20	SCREW TPS M4 X 16	7817801	F 1599
21	SCREW TC M3X10	7809801	F 1765
22	RIGHT SOCLE BLUE	5375102	KEY 123B
22	RIGHT SOCLE GREY	5375101	KEY 110G
23	SCREW TCEI M4X12	7816002	F 1600
24	BUSHING D10 X 4.2 OT	5220802	KEY 052
25	RIGHT CUPS-HEATER GRID 2GR	5074573LW	PRT 233P
26	RIGHT CUPS-HEATER FRAME BLUE	5375106	KEY 125B
26	RIGHT CUPS-HEATER FRAME GREY	5375105	KEY 112G
27	REAR RIGHT BRACKET 2-3-4GR	5018102LL	-
28	ASSEMBLY RIGHT LATERAL SIDE GOLD	5343001DT	-
28	ASSEMBLY RIGHT LATERAL SIDE STAINLESS STEEL SATINED	5343001	KEY 137P
28	ASSEMBLY RIGHT LATERAL SIDE RED RAL 3000	5343001VT	-
29	FAIRLEAD WITH HOLE RUBBER	7613003	-
30	SQUARE FOR RIGHT PANEL SUPPORT	5037805LW	KEY 200PDX
33	CENTRAL CUPS-HEATER GRID 1GR	5074584LW	-
34	CENTRAL LEFT CUPS-HEATER GRID 3GR (CENTRAL LEFT 4GR)	5074576LW	-
35	RIGHT CUPS-HEATER GRID 3GR	5074575LW	-
36	CENTRAL RIGHT CUPS-HEATER GRID 4GR	5074577LW	-
37	RIGHT CUPS-HEATER GRID 4GR	5074578LW	-



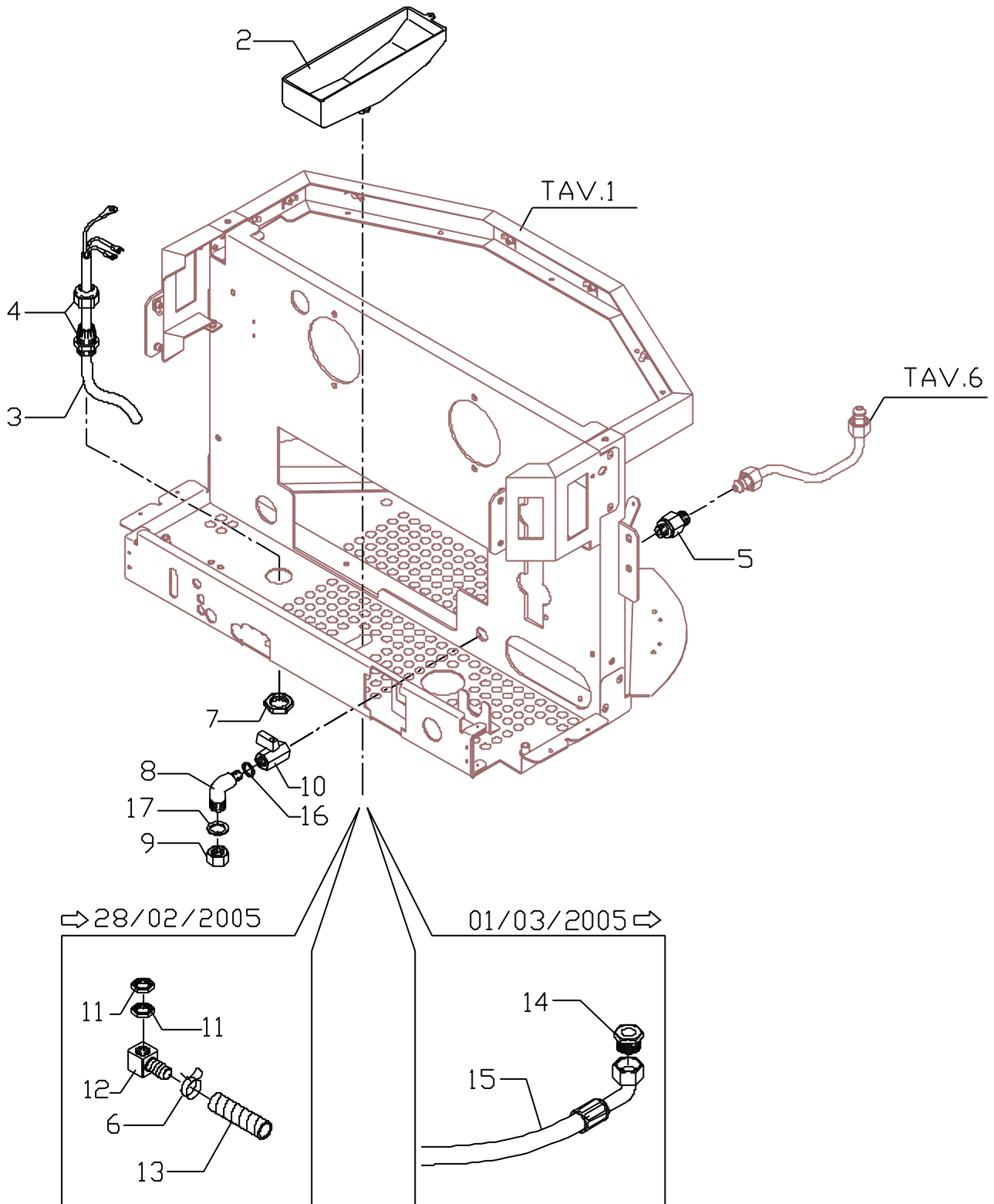


POS	DESCRIPTION	CODE	REFERENCE
1	SCREW TCI M3X7 UNI 6107 OT	7826208	F 765
2	ELECTRIC BOX COVER	5373101	KEY 129
3	CLAMP 2 CONTACTS	7612504	-
4	FAIRLEAD P36 RUBBER	7613001	J 221
5	GASKET 163.4X130X1 RUBBER	5493017	KEY 059
6	THERMOSTAT MANUAL	7434001	U/6 2346
8	ELECTRIC BOX 129X161X ABS	5373301	KEY 128

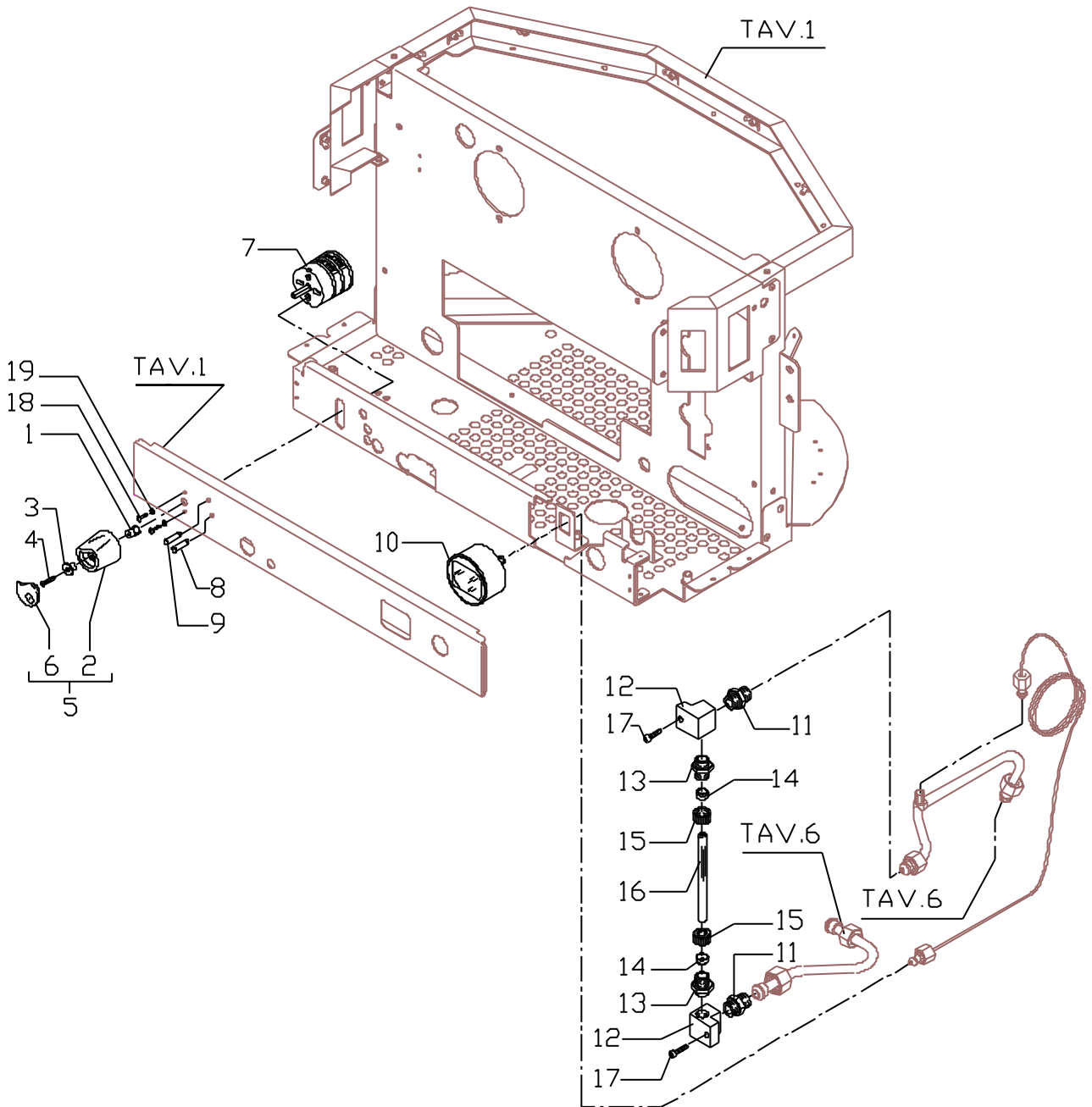




POS	DESCRIPTION	CODE	REFERENCE
2	DRIP TRAY ABS	5374501	KEY 130
3	CONNEC.CABLE H07RNF 5X2,5MM ² L=3MT(3-4GR CONTROL D 380-230/400V)	3553902	-
3	CONNECTING CABLE H07RNF	3553901	-
3	CONNECTING CABLE H07RNF 3X2,5 MM ² L=2MT (1-2GR 220V-240V)	3552404.01	-
3	CONNECTING CABLE H07RNF 3X4 MM ² L=3MT (3-4GR 220V-240V)	3552703.01	-
3	CABLE SOOW 3X10AWG L=2,2MT (110V-220V USA)	3556003	-
3	CONNECTING CABLE SJTO 3X12 AWG L=2MT (1GR 110V-220V USA)	3551501	-
4	CABLE-PRESS PG16 POLYAMIDE	7614001	J 486
4	CABLE-PRESS PG21 POLYAMIDE	7614002	J 488
5	STRAIGHT FITTING 1/4" X 3/8"G OT	5225201	F 1038
6	CLAMP D22 FE (UP TO 28/02/05)	7611501	F 1266
7	NUT PG16 POLYAMIDE	7614003	J 487
7	NUT PG21 POLYAMIDE	7614004	J 489
8	UNION ELBOW 1/4"G X 3/8"G OT	5301501	F 896
9	CAP NUT 3/8"G	5221819	F 642
10	BALL COCK FF 1/4"G	7451501	N/2 1250
11	NUT 3/8"G ES.22 H5 OT (UP TO 28/02/05)	5221826	M 1191
12	RUBBER-HOLDER D16.5 (UP TO 28/02/05)	5224410	F 1732
13	HOSE D22 L=2MT PLASTIC (UP TO 28/02/05)	7303501	F 1299
14	UNION M/F 3/4X3/8 (FROM 01/03/05)	5225294	-
15	HOSE D12.7X18.8 3/4FC L=200CM (FROM TO 01/03/05)	7303503	-
16	GASKET D13.5X18X2 BRASS	5495005	-
17	GASKET D15X3	5492011	-

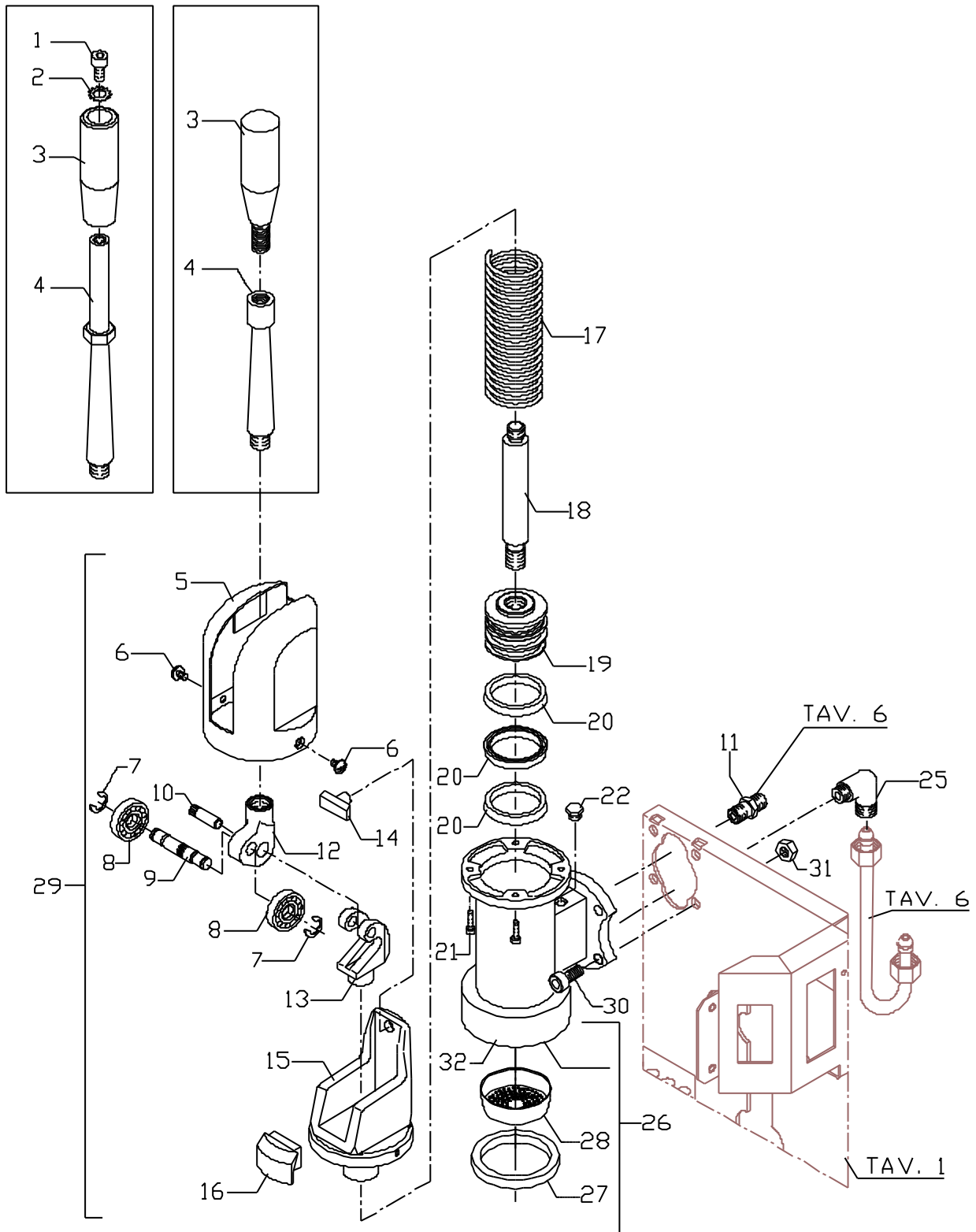


POS	DESCRIPTION	CODE	REFERENCE
1	INSERT D9.5 H14	5371301	KEY 144
2	SWITCH KNOB D42 BLUE	5371807	KEY 117B
2	SWITCH KNOB D42 GREY	5371806	KEY 104G
3	SLEEVE D15X3 H9.5	5220803	F 1727
4	SCREW TC M3X25	7809802	F 1766
5	COMPLETE SWITCH KNOB BLUE	5973026	-
5	COMPLETE KNOB GREY	5973025	-
6	SHAPED PLUG BLUE	5373912	KEY 118B
6	SHAPED PLUG GREY	5373911	KEY 105G
7	SWITCH 2 POSITIONS 4 CONTACTS	7633301	KEY 147
7	SWITCH 2 POSITIONS 6 CONTACTS	7633302	KEY 148
8	ORANGE LAMP 110V	7633603	J 848/110
8	ORANGE LAMP 110/240V	7633604	J 848/230
9	GREEN LAMP 110V	7633601	-
9	GREEN LAMP 110/240V	7633602	-
10	PRESSURE GAUGE D60 3 BAR	7432513	-
11	STRAIGHT FITTING 3/8"G	5302011	F 645
12	GLASS LEVEL FITTING 30 X 30 X 35 OT	5225275	KEY 023
13	STRAIGHT FITTING 3/8"G ES.22 H23 OT	5225204	KEY 005
14	GASKET D14.5 X 10 X 7 RUBBER 75SH	5493004	F 727
15	RING NUT 3/8"G D20 H11 OT	5221836	F 836
16	LEVEL HOSE D10 X 2.2 L=120 PIREX	5430505	F 1759
17	SCREW TCEI M4X20 UNI 5931 A2	7816005	GB/1 783/20
18	SCREW TCI M3.5X15	7630901	-
19	WASHER Ø 4	7813801	-



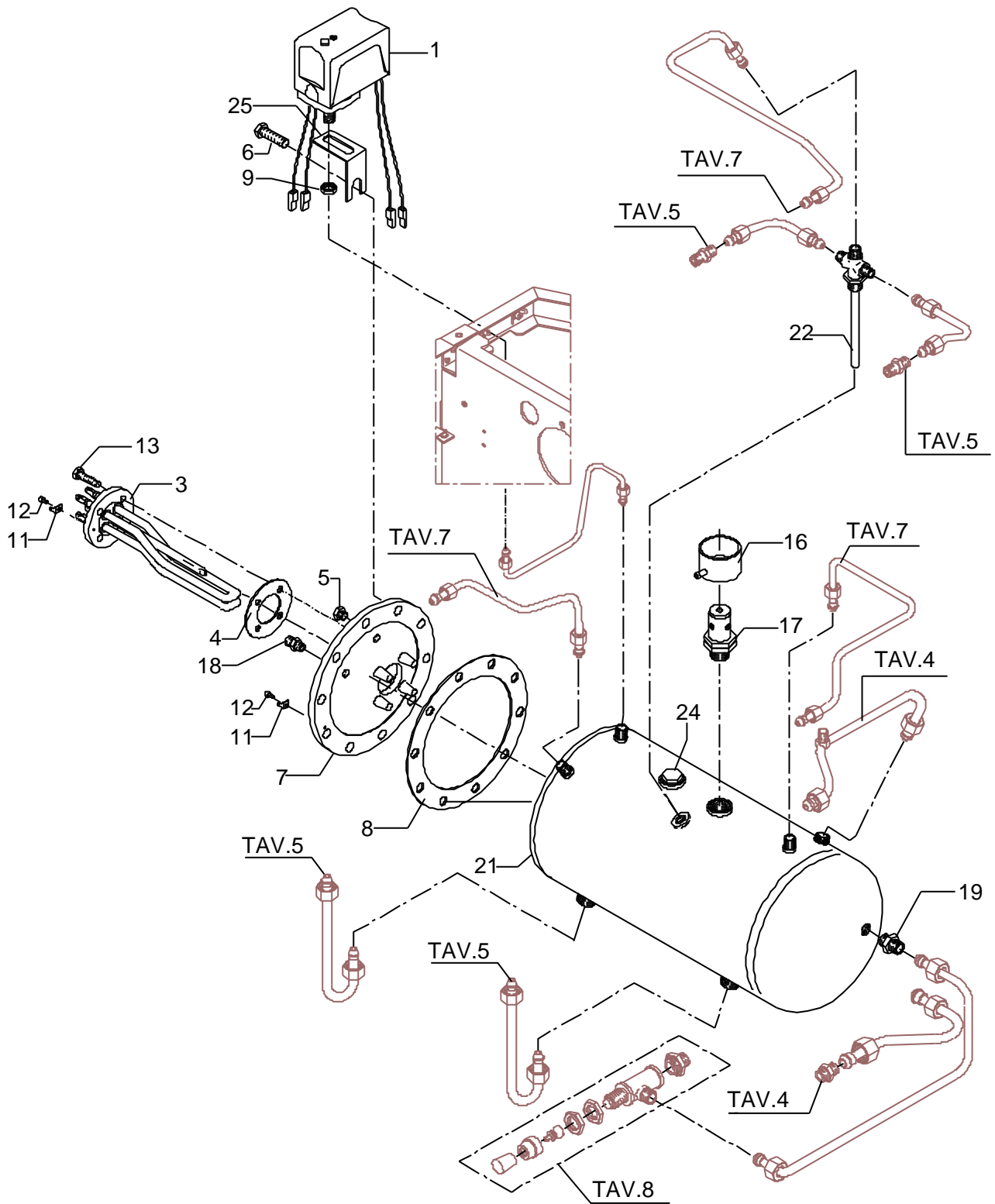


POS	DESCRIPTION	CODE	REFERENCE
1	SCREW TCEI M8X16 UNI 5931 8.8 (OLD)	7806013	F 623
2	FAN WASHER D10 R150 ZINC PLATED (OLD)	7804001	GB/2 805
3	KNOB D30 (OLD)	5371808	GB/2 803
3	ASSEMBLY HANDLE ABS BLUE	5963016	H 880B
3	ASSEMBLY HANDLE ABS GREY	5963013	H 880G
4	LEVER L=235 MM ES.22 AVP CHROMED (OLD)	5263201CM	GB/2 802
4	CHROMED LEVER (NEW)	5263202CM	-
5	LEVER GROUP CAP BLUE	5370602	-
5	LEVER GROUP CAP GREY	5370603	-
6	SCREW TCS M5X8 DIN 964 A2	7817401	GB/1 784
7	RING D9 UNI 7434 R150	7800601	GB/1 781
8	BALL BEARING D35 X 10 X 11	7471801	GB/1 782
9	STUD D11 X 61 PR80	5244006	GB/1 786
10	STUD D9 X 29 CARBONITRIDED	5244007CN	GB/1 785CN
11	STRAIGHT FITTING 1/4"G X M13 OT	5302001	F 895
12	ARTICULATION M16 OT NICKEL-PLATED	5287001.01NC	-
13	GROUP FORK OT NICKEL-PLATED	5284501.01NC	-
14	UPPER VIBRATION DAMPER	5473001	GB/2 787
15	BEARING SLIDE HEAD OT	5287502.01	GB/2 790
16	BOTTOM VIBRATION DAMPER	5473002	-
17	SPRING D46 X 130	5471502	GB/2 791
18	SHAFT D20X 139 AISI 303	5260201	GB/2 806
19	PISTON D50 OT	5224201	GB/2 807
20	LIP SEAL D51 X 41 X 8 NBR 75SH	7491001	GB/4 797
21	SCREW TCEI M4X16	7816004	GB/1 783
22	PLUG 1/8"G OT CHROMED	5226402CM	-
25	UNION ELBOW 1/4"G X 3/8"G OT	5301501	F 896
26	DELIVERY GROUP BODY (UP TO 24.05.2006)	5283009CM	-
27	OR GASKET 160 NBR 75SH (UP TO 24.05.2006)	7496011	A 117N
27	OR GASKET 160 VITON 80SH (UP TO 24.05.2006)	7496029	A 117/V
27	CONIC GASKET H 9.3 NBR 90SH (FROM TO 25.02.06)	7493008	-
28	SHOWER D60 AISI 304 (UP TO 24.05.2006)	5470502	GB/2 795
28	SHOWER D58X19 AISI 304 (FROM TO 25.05.2006)	5470512	-
29	COMPLETE GROUP BLUE	5963550	-
29	COMPLETE GROUP GREY	5963551	-
30	SCREW TCEI M8X25 UNI 5931 A2	7816015	A 116B
31	NUT M8 UNI 5587 OT	7821401	F 957
32	LEVER GROUP BODY OT CHROMED+GASKET+SHOWER (FROM TO 25.05.06)	5283009.01R	-

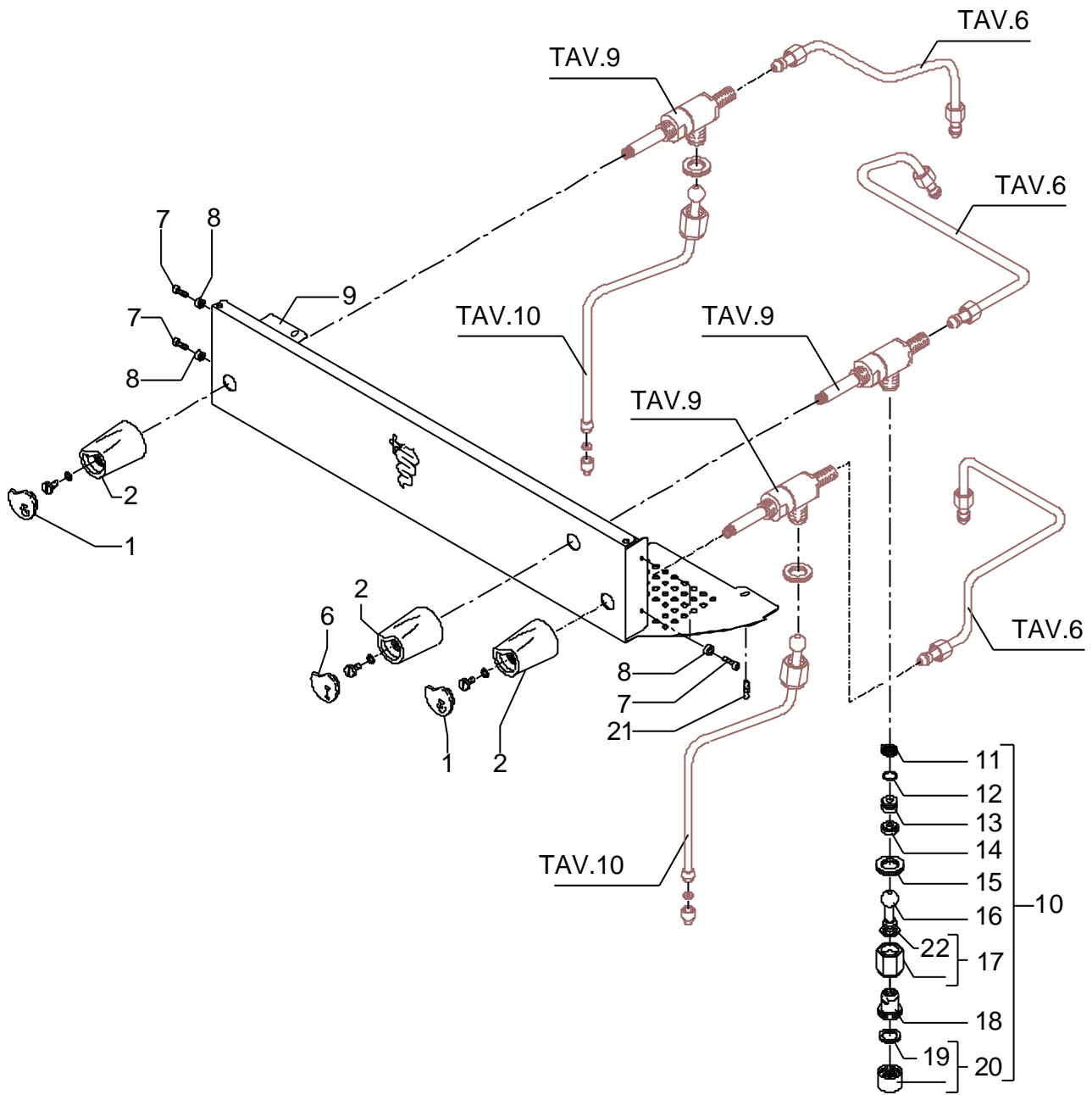




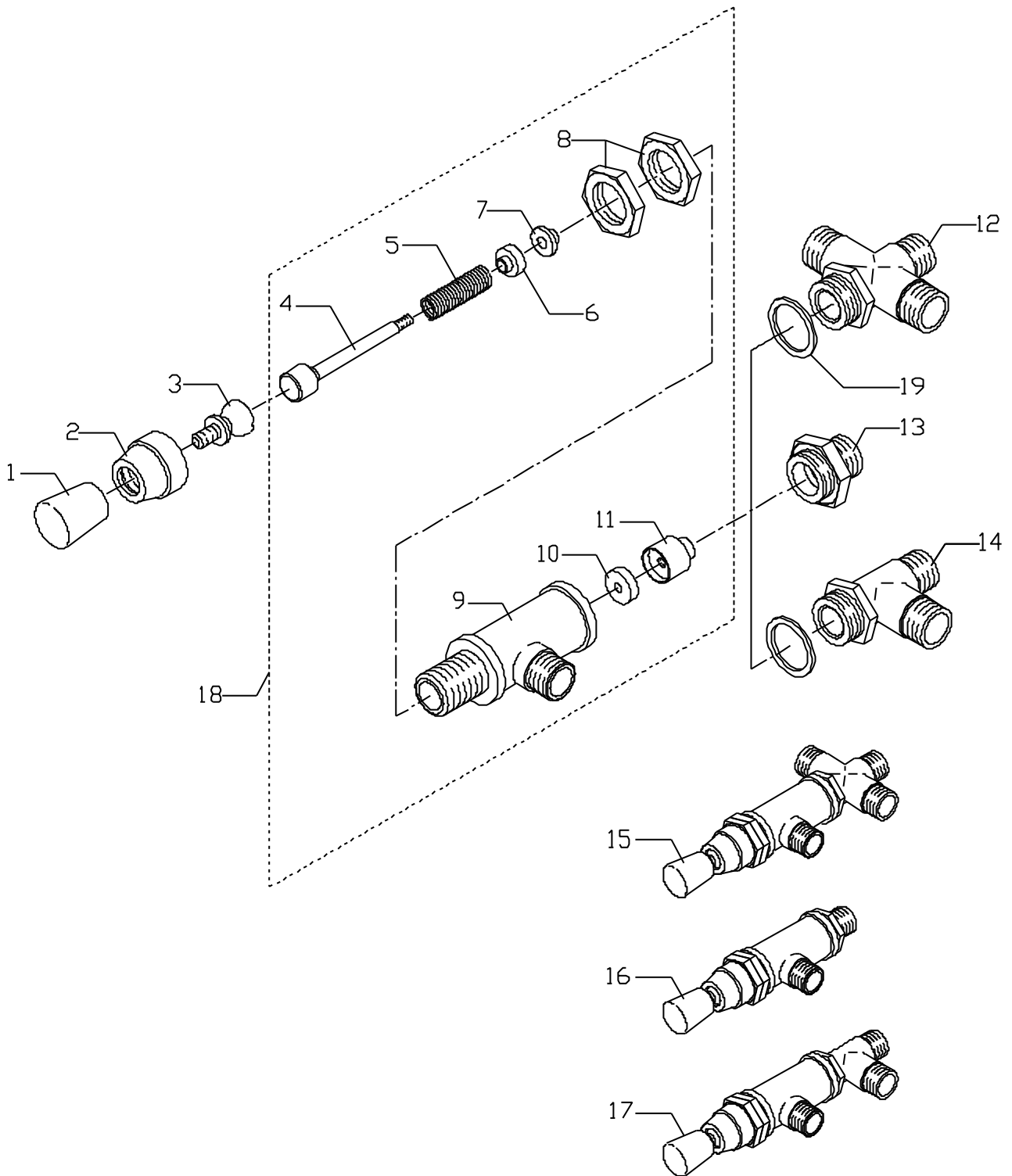
POS	DESCRIPTION	CODE	REFERENCE
1	PRESSOSTAT PARKER PS325/1	7433015	U/5 2343
3	HEATING ELEMENT 1GR 1400W 110/120V (UP TO 19.07.08)	5721114	T/12 1561/110
3	HEATING ELEMENT 1GR 1400W 110/120V (FROM 20.07.08)	5722249	-
3	HEATING ELEMENT 1GR 2000W 220/230V (UP TO 04.10.06)	5722220	T/12 1561/220
3	HEATING ELEMENT 1GR 1850/2200W 220/240V (FROM 05.10.06)	5722241	-
3	HEATING ELEMENT 1GR 2000W 240V (UP TO 19.07.08)	5722416	T/12 1561/240
3	HEATING ELEMENT 2GR 2600W 110/120V (UP TO 18.05.06)	5721115	T/12 1562/110
3	HEATING ELEMENT 2GR 2600W 110/120V (FROM 19.05.06)	5721131	-
3	HEATING ELEMENT 2GR 3000W 220/230V (UP TO 11.05.06)	5722221	T/12 1562/220
3	HEATING ELEMENT 2GR 3000W 220/240V (FROM 12.05.06)	5722242	-
3	HEATING ELEMENT 2GR 3000W 240V (UP TO 11.05.06)	5722417	T/12 1562/240
3	HEATING ELEMENT 3-4GR 3000W 110/120V	5721111	-
3	HEATING ELEMENT 3-4GR 5000W 220/230V (UP TO 07.11.06)	5722222	T/12 1564/220
3	HEATING ELEMENT 3-4GR 4600/5450W 220/240V (FROM 08.11.06)	5722243	-
3	HEATING ELEMENT 3-4GR 5000W 240V	5722419	T/12 1564/240
4	GASKET D76 X 39 X 2 ASBESTOS FREE	5492006	T 1493
5	PLUG M10 H12 OT	5226404	F 682
6	SCREW TE M10X18 DIN 933 A2	7816424	-
7	BOILER FLANDE D205 OT	5283502	W 2152
8	GASKET D203 X 151 X 2 ASBESTOS FREE	5492005	J 57A
9	NUT 1/4"G H5 OT	5221821	T 1498
11	FASTON 45° HOLE D5.3	7615001	J 722
12	SCREW TCI M4X6 UNI 6107 OT	7826212	F 1219
13	SCREW TE M8X18 DIN933 A2	7816423	-
16	SCODELLINO COMPLETO	5963047	-
17	ASSEMBLY SAFETY VALVE 1.5 BAR	5965015.01	-
18	STRAIGHT FITTING M12 X M10 OT	5302010	F 683
19	STRAIGHT FITTING 3/8"G	5302011	F 645
21	ASSEMBLY BOILER 1GR. POLISHED	5320517BL	-
21	ASSEMBLY BOILER 2GR. POLISHED	5321017BL	-
21	ASSEMBLY BOILER 3GR. POLISHED	5321517BL	-
21	ASSEMBLY BOILER 4GR. POLISHED	5322017BL	-
22	COMPLETE WATER SUCTION HOSE L=120MM	5301003LL	-
24	PLUG 1/2"G H18 OT	5226406	W/8 2225
25	PRESSOSTAT SQUARE	5037830LW	-



POS	DESCRIPTION	CODE	REFERENCE
1	STEAM PLUG BLUE	5373908	KEY 122B
1	STEAM PLUG GREY	5373907	KEY 109G
2	BLUE KNOB	5371805	-
2	GREY KNOB	5371804	-
6	WATER PLUG BLUE	5373910	KEY 120B
6	WATER PLUG GREY	5373909	KEY 107G
7	SCREW TCEI M4X12	7816002	F 1600
8	BUSHING D10 X 4.2 OT	5220802	KEY 052
9	WORKING FRONTAL PANEL 1GR GREY	5094353SG	-
9	WORKING FRONTAL PANEL 2GR GREY	5094334SG	-
9	WORKING FRONTAL PANEL 3GR GREY	5094336SG	-
9	WORKING FRONTAL PANEL 4GR GREY	5094339SG	-
10	ASSEMBLY COMPLETE WATER HOSE	5966501	O/16 2541/A
11	SPRING D14 AISI 302	5471504	O/6 2500
12	OR GASKET 112 EPDM 70SH	7496076	-
13	GASKET-HOLDER D14.7 X 10.5 OT	5224605	O/6 2502
14	GASKET D16X6X6 PTFE GRAPHITIZED	5494002	O/6 2503
15	RING NUT M18	5222801	O/1 1251G
16	WATER HOSE L=44MM CHROMED	5225603CM	O/9 2521/A
17	NUT M18 NICKEL-PLATED WITH GASKET	5221871NC-LL	-
18	STRAIGHT FITTING M22 X 1 H25 OT CHROMED	5225226CM	F 1257
19	GASKET D20.5X15 H1.5 NBR 70SH	5493003	-
20	WATER HOSE TERMINAL D23.5 H16 OT CHROMED	5226601CM	F 1272
21	STUD M4X22.6 AVP NICHEL-PLATED	5244008NC	KEY 061
22	GASKET Ø16X13,2X2 PTFE	5494009	-

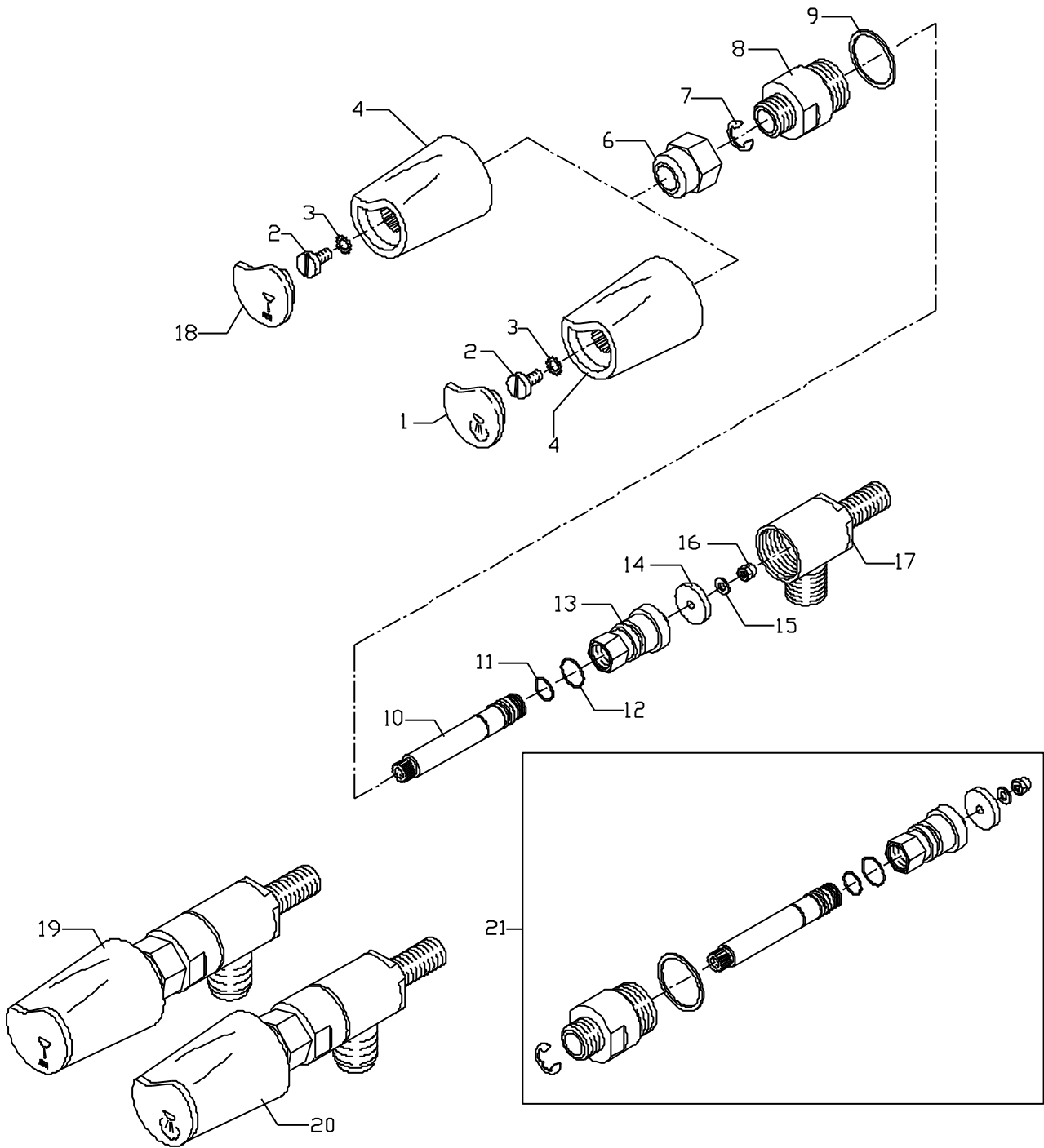


POS	DESCRIPTION	CODE	REFERENCE
1	KNOB M6 BLACK	7473603	-
1	KNOB M6 GREY	7473606	-
1	KNOB M6 BLUE	7473607	-
2	RING NUT M18 OT CHROMED	5222813CM	L 1128
3	ARTICULATION D14 X 24.5 X M6 AISI 303	5265601	L 1127
4	SHAFT D12 X 65 AISI 303	5260202	L 1125
5	SPRING D9.5 H34.5 AISI 302	5471512	L 1123
6	BUSHING D12 X 7 OT	5220603	L 1122
7	GASKET D12 X 6 PTFE GRAPHITIZED	5494004	L 1121
8	NUT M18 ES.26 H5 OT	5221833	L 1119
9	PUMP BODY OT	5283019	L 1118
10	GASKET D14 X 4 X 4 NBR 70SH	5493013	L 1117
11	GASKET-HOLDER D15 X 16.5 OT	5224607	L 1116
12	FITTING 4 WAY 3/8"G OT (PM-TE-TP)	5302502	L 1114C
13	FITTING 3/8"G	5225241	L 1113B
14	FITTING 3 WAY 3/8"G	5302508	L 1112A
15	ASSEMBLY PUMP 3 WAY COMPLETE KNOB BLACK	5964054	L 1130C
15	ASSEMBLY PUMP 3 WAY COMPLETE KNOB GREY	5964020	-
15	ASSEMBLY PUMP 3 WAY COMPLETE KNOB BLUE	5964021	-
16	ASSEMBLY PUMP 1 WAY COMPLETE KNOB BLACK	5964055	L 1130B
16	ASSEMBLY PUMP 1 WAY COMPLETE KNOB GREY	5964016	-
16	ASSEMBLY PUMP 1 WAY COMPLETE KNOB BLUE	5964017	-
17	ASSEMBLY PUMP 2 WAY COMPLETE KNOB BLACK	5964056	L 1130A
17	ASSEMBLY PUMP 2 WAY COMPLETE KNOB GREY	5964018	-
17	ASSEMBLY PUMP 2 WAY COMPLETE KNOB BLUE	5964019	-
18	ASSEMBLY PUMP	5964058	L 1130
19	COPPER GASKET 20 X 26 X 3	5495006	-



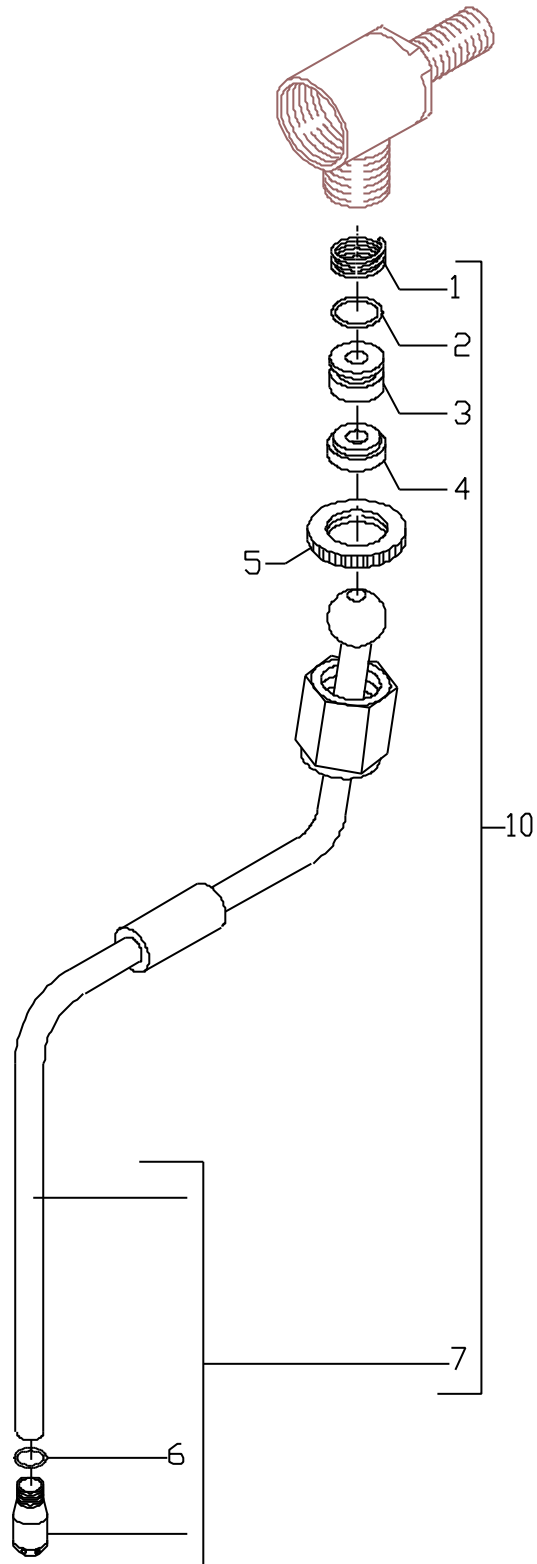


POS	DESCRIPTION	CODE	REFERENCE
1	STEAM PLUG BLUE	5373908	KEY 122B
1	STEAM PLUG GREY	5373907	KEY 109G
2	SCREW TCI M5X10 UNI 6107 OT	7826202	F 794A
3	FAN WASHER D6 DIN 6798A	7804002	F 736
4	BLUE KNOB	5371805	-
4	GREY KNOB	5371804	-
6	NUT 3/8"G OT NICKEL-PLATED	5221804NC	M/5 2424
7	RING D7 UNI 7434 A2	7810601	M/5 2425
8	FOR MACHINES BUILT UNTIL 02/02/05 SEE POSN. 21		-
8	NUT SCREW (FROM 03/02/05)	5223402	-
9	GASKET D28 X 1 COPPER	5495001	M/5 2434
10	FOR MACHINES BUILT UNTIL 02/02/05 SEE POSN. 21		-
10	ROD (FROM 03/02/05)	5220411	-
11	OR GASKET 108 VITON (UP TO 02/02/05)	7496003	M/5 2428
11	OR GASKET 10,82X1,78 (FROM 03/02/05)	7496075	-
12	OR GASKET 115 VITON	7496002	M/5 2430
13	FOR MACHINES BUILT UNTIL 02/02/05 SEE POSN. 21		-
13	GASKET-HOLDER (FROM 03/02/05)	5970504.01	-
14	TAP GASKET EPT 70SH	5493023	M/5 2431EP
15	PLAIN WASHER D8 X 4 X 0.8 OT	7825001	F 1218
16	CAP NUT M4 OT	7822201	D/B 528
17	TAP BODY OT	5283002	M/5 2433
18	WATER PLUG BLUE	5373910	KEY 120B
18	WATER PLUG GREY	5373909	KEY 107G
19	ASSEMBLY WATER TAP BLUE	5974010.01	-
19	ASSEMBLY WATER TAP GREY	5974009.01	-
20	ASSEMBLY STEAM TAP BLUE	5974008.01	-
20	ASSEMBLY STEAM TAP GREY	5974007.01	-
21	TAP KIT FOR MACHINES BUILT UNTIL 02/02/05	5976522	-

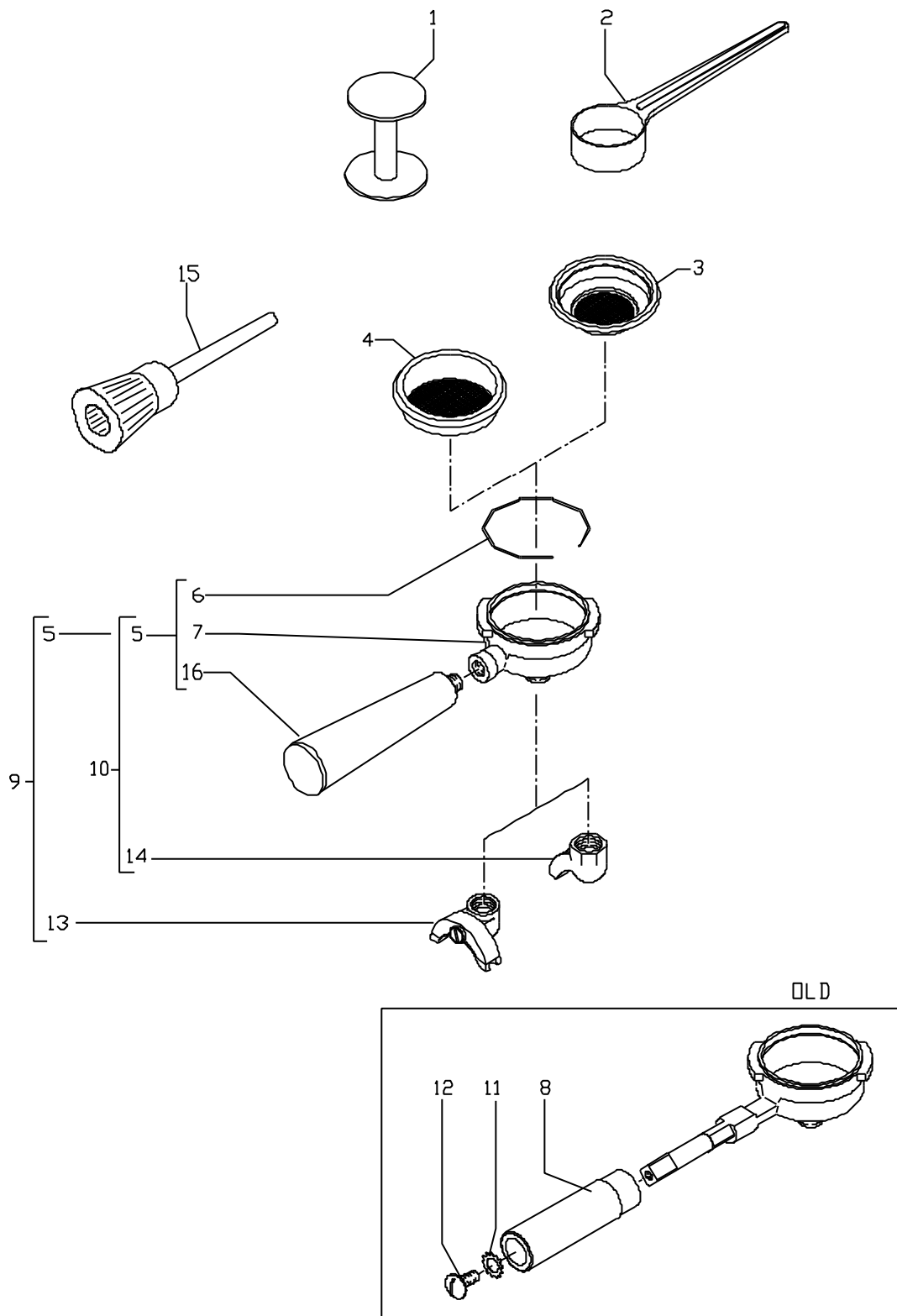




POS	DESCRIPTION	CODE	REFERENCE
1	SPRING D14 AISI 302	5471504	O/6 2500
2	OR GASKET 112 EPDM 70SH	7496076	-
3	GASKET-HOLDER D14.7 X 10.5 OT	5224605	O/6 2502
4	GASKET D16X6X6 PTFE GRAPHITIZED	5494002	O/6 2503
5	RING NUT M18	5222801	O/1 1251G
6	OR GASKET 115 EP856	7496073	-
7	COMPLETE HOSE STAINLESS STEEL	7479928	-
10	ASSEMBLY COMPLETE STEAM HOSE	5966502.01	O/16 2541V

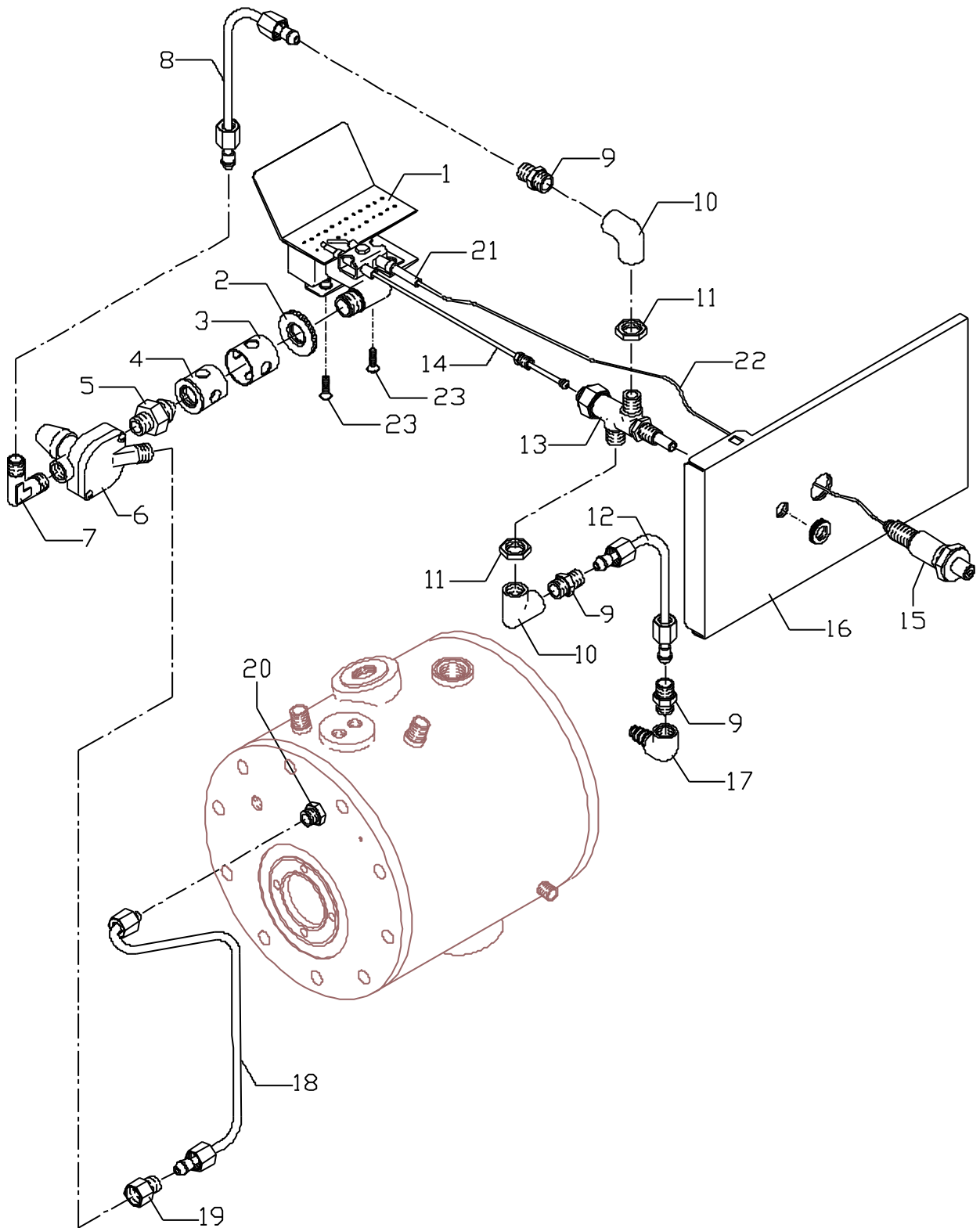


POS	DESCRIPTION	CODE	REFERENCE
1	COFFEE-PRESS ABS	5373001	H 862
2	MEASURER ABS	5372101	H 861
3	FILTER 1 CUP 6 GRAMS	5471004	H 856
4	FILTER 2 CUPS 12 GRAMS AISI 304	5471007	-
4	FILTER 2 CUPS 14 GRAMS AISI 304	5471016	H 853
5	ASSEMBLY FILTER-HOLDER WITHOUT SPOUT (OLD)	5965538	-
5	ASSEMBLY FILTER-HOLDER WITHOUT SPOUT GREY (NEW)	5965541	-
5	ASSEMBLY FILTER-HOLDER WITHOUT SPOUT BLUE (NEW)	5965544	-
6	SHAPED SPRING D1.4 AISI 302	5471507	H 817
7	FILTER-HOLDER (NEW)	5286011CM	-
8	KNOB D27 X 101 (OLD)	7371501	H 813
9	ASSEMBLY FILTER-HOLDER 2 CUPS (OLD)	5965539	-
9	ASSEMBLY FILTER-HOLDER 2 CUPS BLUE(NEW)	5965545	-
9	ASSEMBLY FILTER-HOLDER 2 CUPS GREY (NEW)	5965542	-
10	ASSEMBLY FILTER-HOLDER 1 CUP (OLD)	5965540	-
10	ASSEMBLY FILTER-HOLDER 1 CUP BLUE (NEW)	5965546	-
10	ASSEMBLY FILTER-HOLDER 1 CUP GREY (NEW)	5965543	-
11	FAN WASHER D10 DIN 6798A A2	7814003	H 812
12	SCREW M8	5227003NE	H 811
13	SPOUT 2 WAY	7305007	H 815
14	SPOUT 1 WAY	7305006	H 829
15	CLEANING BRUSH	7990603	-
16	ASSEMBLY HANDLE GREY (NEW)	5963013	-
16	ASSEMBLY HANDLE ABS BLUE (NEW)	5963016	KEY 124B



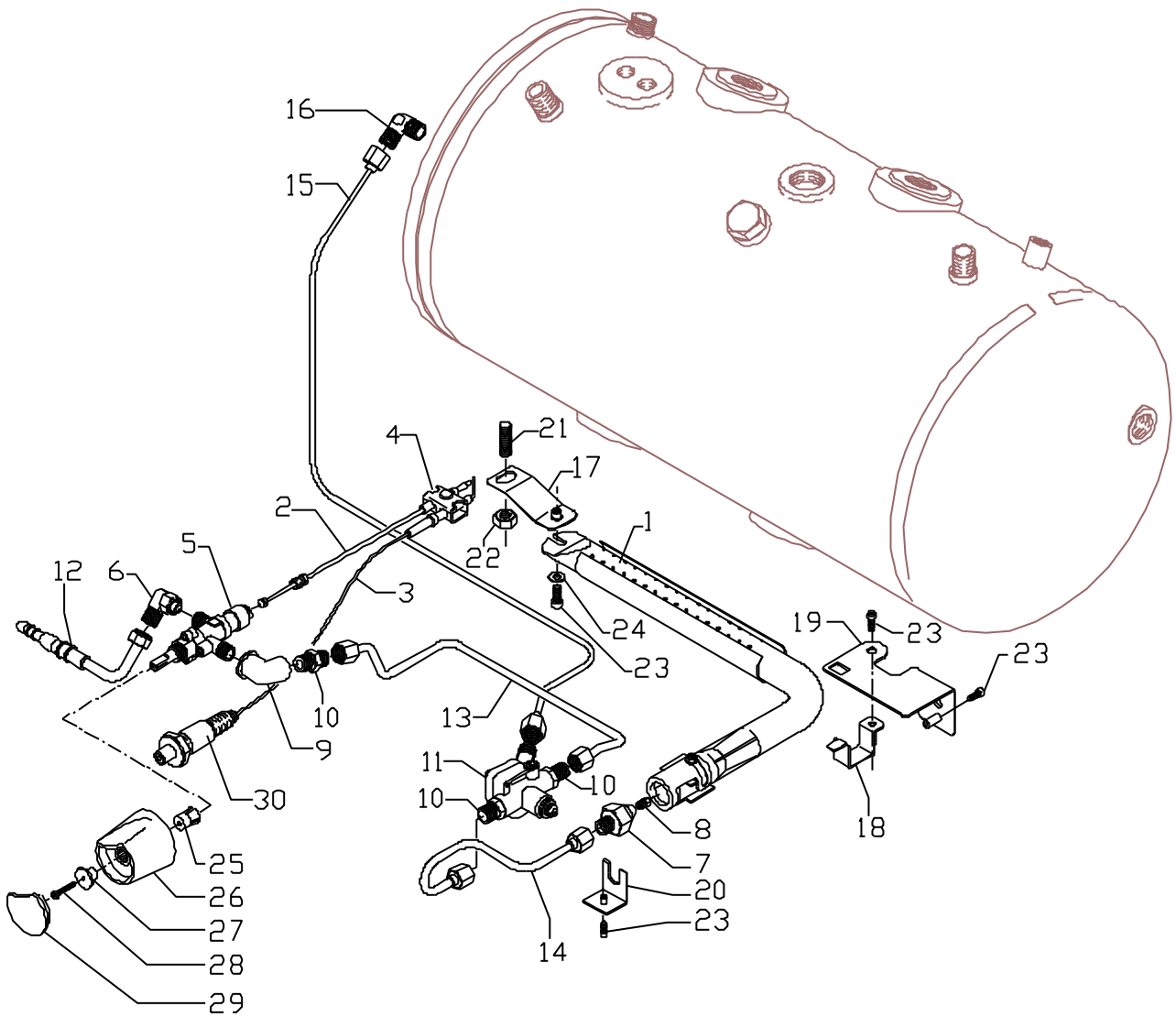


POS	DESCRIPTION	CODE	REFERENCE
1	ASSEMBLY BURNER 1GR	5343004LL	-
2	RING NUT 3/8"G H4 OT	5222808	T 1459
3	EXTERNAL INTAKE AIR PASSAGE D28 X 25.5	5220602	T 1458
4	INTERNAL INTAKE AIR PASSAGE D26 X 27 OT	5220601	T 1457
5	JET 1/4"G H32 OT	5223009	T 1465
6	GAS RG10 REGULATOR	7402410	T 1454
7	UNION ELBOW M12 X 1/4"GAS	5301512	-
8	REGULATOR-JET HOSE	5162200LL	-
9	STRAIGHT FITTING M12 X 1/4"G H24 OT	5302009	F 1031
10	UNION ELBOW 1/4"G	5301518	T/6 1520
11	NUT 1/4"G H5 OT	5221821	T 1498
12	INLET GAS HOSE 1GR	5162173LL	-
13	VALVE M1 WITH RING NUT	7403601	T/6 1518
14	THERMOCOUPLE	7403001	T/6 1517
15	PIEZO IGNITION WITH NUT	7400302	T/6 1513
16	GROUP FRONTAL 1GR	5094355LW	-
17	RUBBER-HOLDER 1/4" D12 OT	5224405	T 1475
18	BOILER-REGULATOR HOSE 1GR LEVER	5162171LL	-
19	REDUCTION GEAR 1/4"G X M12 ES.16 H22 OT	5302029	F 766
20	STRAIGHT FITTING M12 X M10 OT	5302010	F 683
21	CANDLE	7400301	T/6 1511
22	ELECTRIC CABLE	7401205	T/6 1512
23	SCREW TTEI M4X12	7819901	F 1700



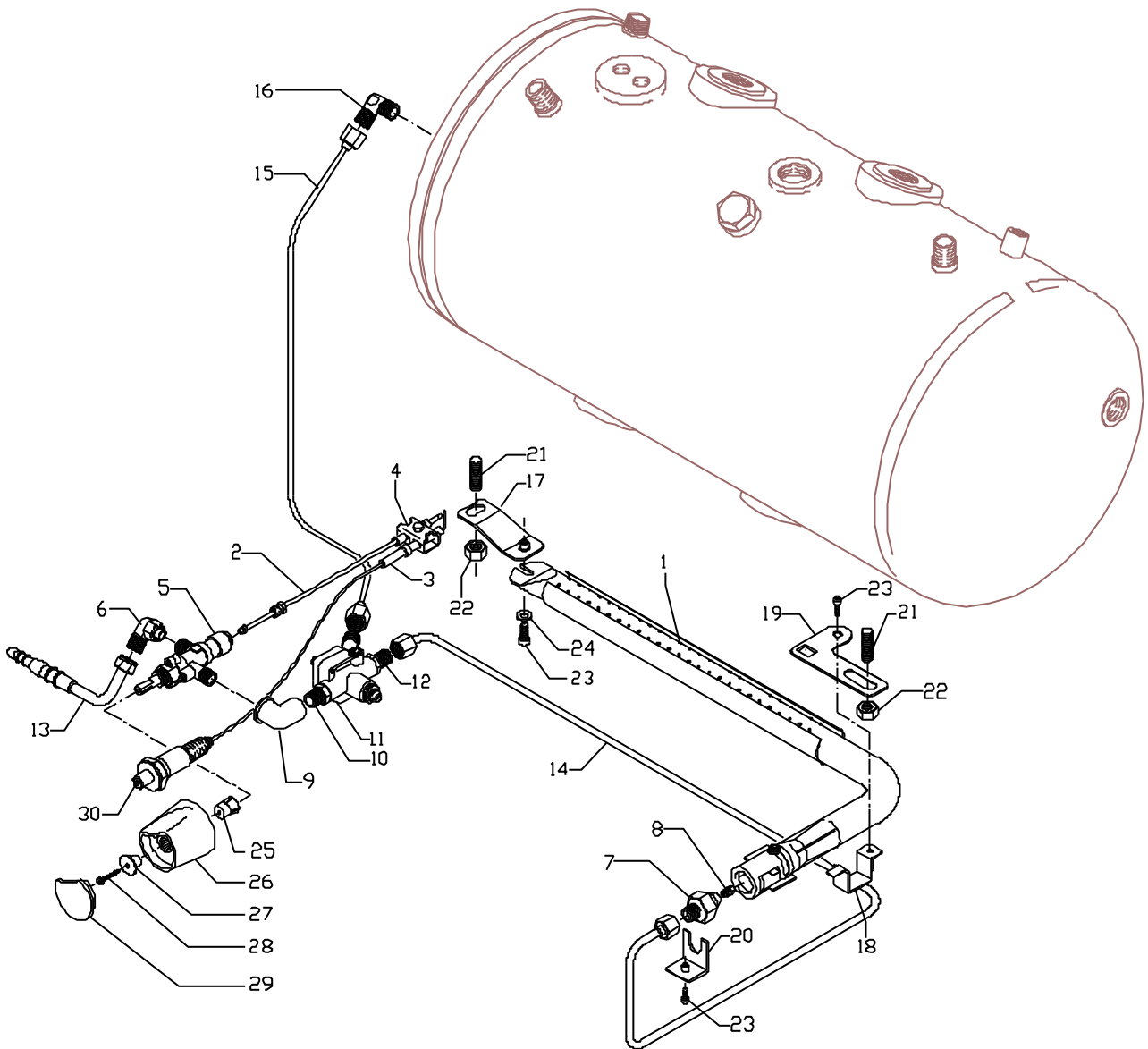


POS	DESCRIPTION	CODE	REFERENCE
1	BURNER 2GR	7400600	-
2	THERMOCOUPLE L=600	7403003	-
3	IGNITION CANDLE	7400305	-
4	CLIPS	5479917	-
5	TAP	7403602	-
6	UNION ELBOW	7303023LL	-
7	INJECTOR-HOLDER	5224413	-
8	INJECTOR Ø 0,6	7303024	-
8	INJECTOR Ø 0,8	7303025	-
9	UNION ELBOW 1/4"G	5301518	-
10	STRAIGHT FITTING M12 X 1/4"G H24 OT	5302009	F 1031
11	GAS RG10 REGULATOR	7402410	-
12	RUBBER-HOLDER HOSE	5163211LL	-
13	REGULATOR TAP HOSE	5162252LL	-
14	REGULATOR-JET/BURNER HOSE	5162249LL	-
15	BOILER-REGULATOR HOSE	5161018LL	-
16	UNION ELBOW M12X1/8"G	5301504	-
17	LEFT SUPPORT	5037824LL	-
18	BURNER HOLDER	5037825LL	-
19	RIGHT SUPPORT	5037826LL	-
20	BURNER SUPPORT	5037823LL	-
21	TIE ROD M10 X 33 ASTM A193	5267012	-
22	NUT M10 UNI 5587 ASTM A194	7812608	-
23	SCREW TCEI M4X12	7816002	F 1600
24	PLAIN WASHER D4 FEZN	7809804	SIS 18
25	KNOB INSERT	7473032	-
26	SWITCH KNOB D42 GREY	5371806	KEY 104G
26	SWITCH KNOB D42 BLUE	5371807	KEY 117B
27	KNOB BUSHING	5220816	-
28	TAPPING SCREW TCTC 3,9X16	7818203	-
29	SHAPED PLUG GREY	5373923	-
29	SHAPED PLUG BLUE	5373924	-
30	PIEZO IGNITION	7400302	-





POS	DESCRIPTION	CODE	REFERENCE
1	BURNER 3GR	7400601	-
2	THERMOCOUPLE L=600	7403003	-
3	IGNITION CANDLE	7400305	-
4	CLIPS	5479917	-
5	TAP	7403602	-
6	UNION ELBOW	7303023LL	-
7	INJECTOR-HOLDER	5224413	-
8	INJECTOR Ø 0,8	7303025	-
8	INJECTOR Ø 1,1	7303026	-
9	UNION ELBOW 1/4"G	5301518	-
10	FITTING 1/4"G	7304524	-
11	GAS RG10 REGULATOR	7402410	-
12	STRAIGHT FITTING M12 X 1/4"G H24 OT	5302009	F 1031
13	RUBBER-HOLDER HOSE	5163211LL	-
14	REGULATOR-JET/BURNER HOSE	5162250LL	-
15	BOILER-REGULATOR HOSE	5161017LL	-
16	UNION ELBOW M12X1/8"G	5301504	-
17	LEFT SUPPORT	5037824LL	-
18	BURNER HOLDER	5037825LL	-
19	RIGHT SUPPORT	5037827	-
20	BURNER SUPPORT	5037823LL	-
21	TIE ROD M10 X 33 ASTM A193	5267012	-
22	NUT M10 UNI 5587 ASTM A194	7812608	-
23	SCREW TCEI M4X12	7816002	F 1600
24	PLAIN WASHER D4 FEZN	7809804	SIS 18
25	KNOB INSERT	7473032	-
26	SWITCH KNOB D42 GREY	5371806	KEY 104G
26	SWITCH KNOB D42 BLUE	5371807	KEY 117B
27	KNOB BUSHING	5220816	-
28	TAPPING SCREW TCTC 3,9X16	7818203	-
29	SHAPED PLUG GREY	5373923	-
29	SHAPED PLUG BLUE	5373924	-
30	PIEZO IGNITION	7400302	-





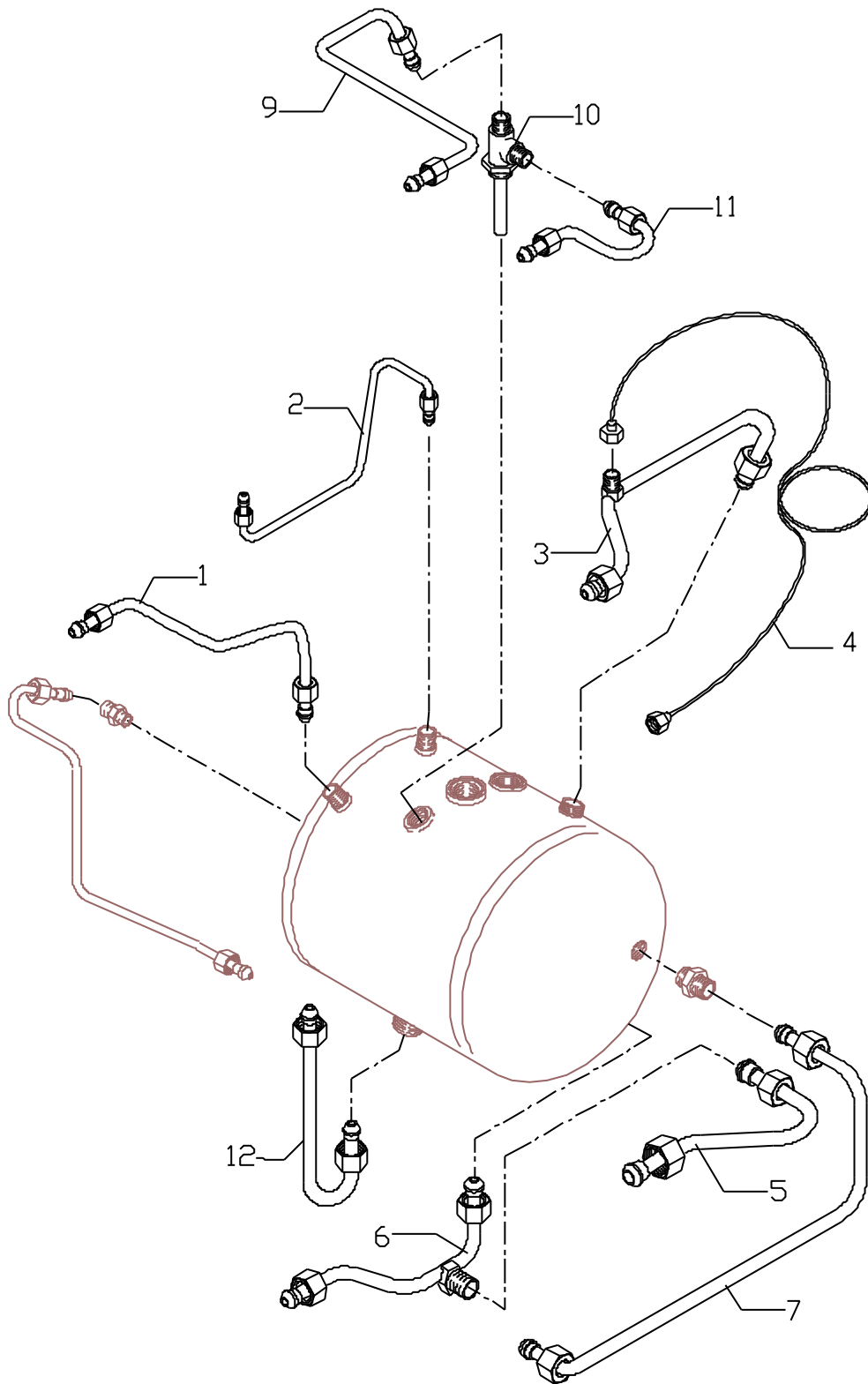
POS	DESCRIPTION	CODE	REFERENCE
1	BURNER 4GR	7400602	-
2	THERMOCOUPLE L=600	7403004	-
3	IGNITION CANDLE	7400305	-
4	CLIPS	5479917	-
5	TAP	7403602	-
6	UNION ELBOW	7303023LL	-
7	INJECTOR-HOLDER	5224413	-
8	INJECTOR Ø 1,0	7303027	-
8	INJECTOR Ø 1,5	7303028	-
9	UNION ELBOW 1/4"G	5301518	-
10	STRAIGHT FITTING M12 X 1/4"G H24 OT	5302009	F 1031
11	GAS RG10 REGULATOR	7402410	-
12	RUBBER-HOLDER HOSE	5163211LL	-
13	REGULATOR TAP HOSE	5162251LL	-
14	REGULATOR-JET/BURNER HOSE	5162249LL	-
15	BOILER-REGULATOR HOSE	5161016LL	-
16	UNION ELBOW M12X1/8"G	5301504	-
17	LEFT SUPPORT	5037824LL	-
18	BURNER HOLDER	5037825LL	-
19	RIGHT SUPPORT	5037827	-
20	BURNER SUPPORT	5037823LL	-
21	TIE ROD M10 X 33 ASTM A193	5267012	-
22	NUT M10 UNI 5587 ASTM A194	7812608	-
23	SCREW TCEI M4X12	7816002	F 1600
24	PLAIN WASHER D4 FEZN	7809804	SIS 18
25	KNOB INSERT	7473032	-
26	SWITCH KNOB D42 GREY	5371806	KEY 104G
26	SWITCH KNOB D42 BLUE	5371807	KEY 117B
27	KNOB BUSHING	5220816	-
28	TAPPING SCREW TCTC 3,9X16	7818203	-
29	SHAPED PLUG GREY	5373923	-
29	SHAPED PLUG BLUE	5373924	-
30	PIEZO IGNITION	7400302	-



BEZZERA
dal 1901

1 GR hose series

POS	DESCRIPTION	CODE	REFERENCE
1	STEAM TAP HOSE	5163131LL	06.16.00.838
2	COMPLETE HOSE FOR PRESSOSTAT	5162001LL	06.16.00.718
3	UPPER LEVEL HOSE	5164046LL	06.16.00.152
4	PRESSURE GAUGE CAPILLARY FOR LEVER-OPERATED MACHINES	7400901LL	-
5	BOTTOM LEVEL HOSE	5164072LL	06.16.00.830
6	BOILER DRAIN HOSE	5164071LL	06.16.00.829
7	BOILER LOAD HOSE	5164032LL	-
9	WATER TAP HOSE	5163132LL	06.16.00.839
10	SUCTION HOSE 3 WAY	5164029LL	06.16.00.804
11	HEATING HOSE	5163060LL	06.16.00.250
12	CIRCULATION HOSE	5164030LL	06.16.00.115

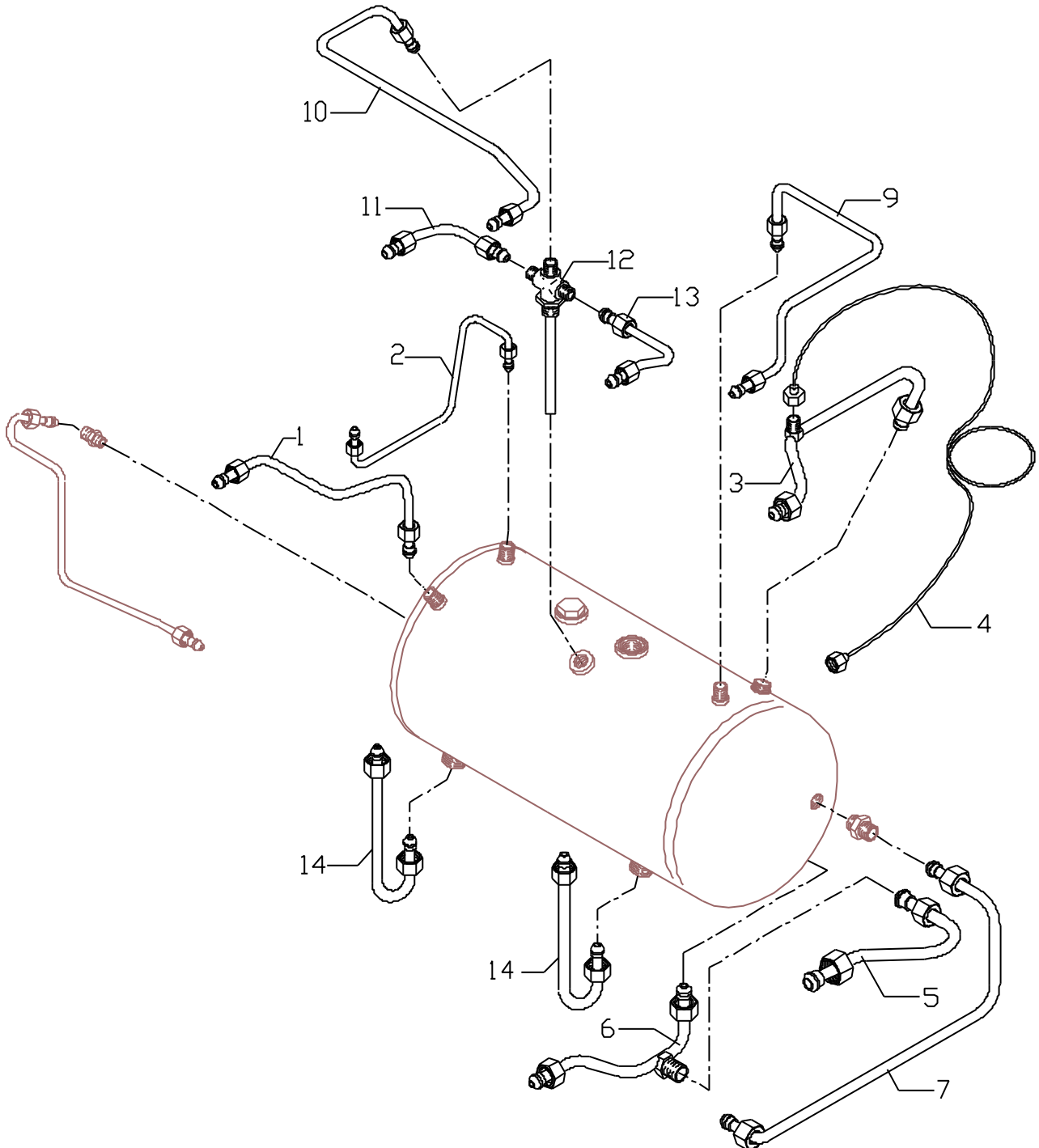




BEZZERA
dal 1901

2 GR hose series

POS	DESCRIPTION	CODE	REFERENCE
1	COMPLETE LEFT STEAM TAP HOSE 3-4GR	5163003LL	06.16.00.738
2	COMPLETE HOSE FOR PRESSOSTAT	5162001LL	06.16.00.718
3	UPPER LEVEL HOSE	5164046LL	06.16.00.152
4	PRESSURE GAUGE CAPILLARY FOR LEVER-OPERATED MACHINES	7400901LL	-
5	BOTTOM LEVEL HOSE	5164072LL	06.16.00.830
6	BOILER DRAIN HOSE	5164071LL	06.16.00.829
7	INLET LOAD BOILER HOSE	5164032LL	06.16.00.141
9	COMPLETE RIGHT STEAM TAP HOSE 2-3-4GR	5163004LL	06.16.00.731
10	WATER TAP HOSE	5163107LL	06.16.00.833
11	UPPER LEFT HEATING HOSE	5163063LL	06.16.00.126
12	COMPLETE WATER SUCTION HOSE L=120MM	5301003LL	-
13	RIGHT HEATING HOSE	5163065LL	06.16.00.183
14	CIRCULATION HOSE	5164030LL	06.16.00.115

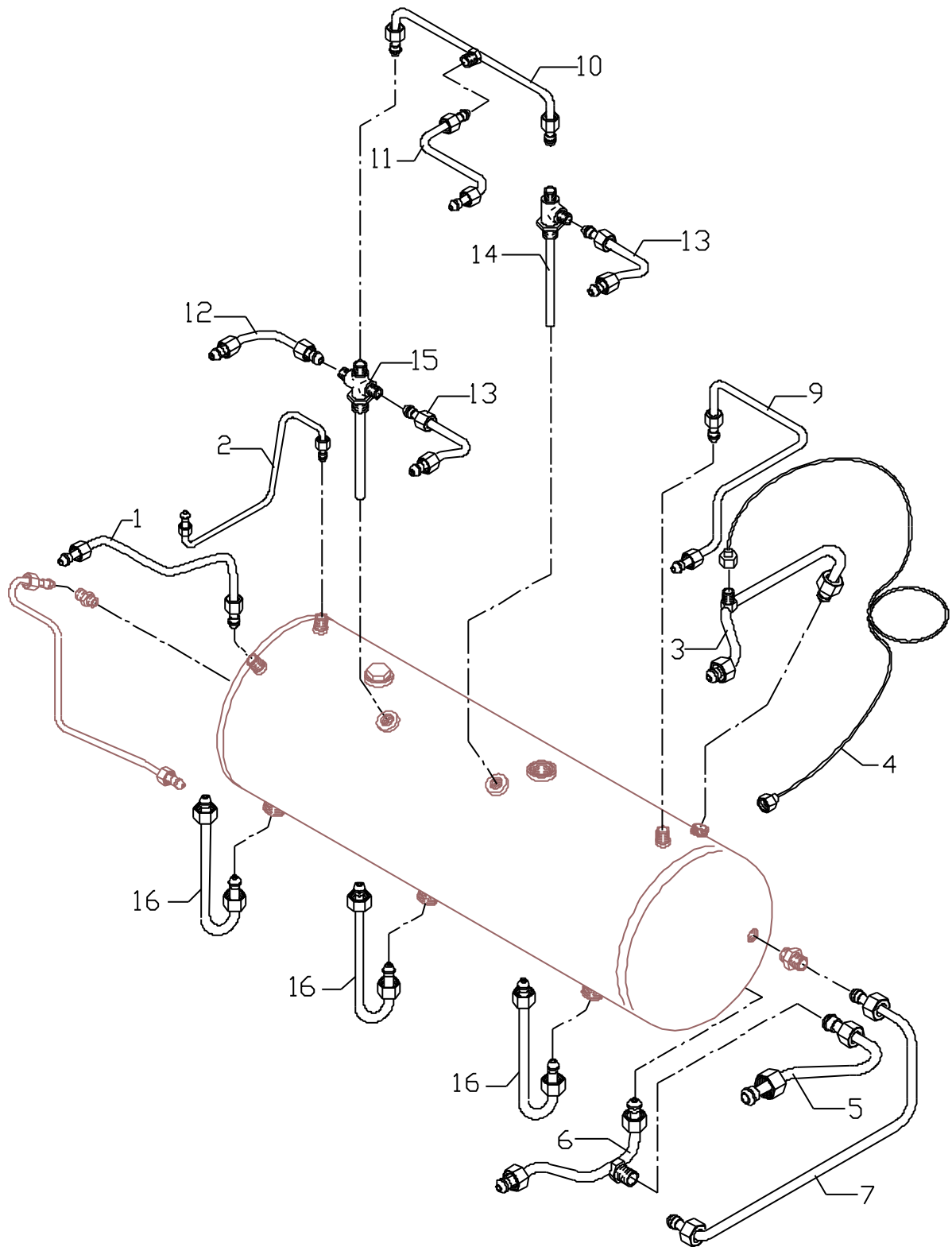




BEZZERA
dal 1901

3 GR hose series

POS	DESCRIPTION	CODE	REFERENCE
1	COMPLETE LEFT STEAM TAP HOSE 3-4GR	5163003LL	06.16.00.738
2	COMPLETE HOSE FOR PRESSOSTAT	5162001LL	06.16.00.718
3	UPPER LEVEL HOSE	5164046LL	06.16.00.152
4	PRESSURE GAUGE CAPILLARY FOR LEVER-OPERATED MACHINES	7400901LL	-
5	BOTTOM LEVEL HOSE	5164072LL	06.16.00.830
6	BOILER DRAIN HOSE	5164071LL	06.16.00.829
7	INLET LOAD BOILER HOSE	5164032LL	06.16.00.141
9	COMPLETE RIGHT STEAM TAP HOSE 2-3-4GR	5163004LL	06.16.00.731
10	BY-PASS HEATING HOSE	5163092LL	06.16.00.201
11	WATER TAP HOSE	5163128LL	06.16.00.837
12	UPPER LEFT HEATING HOSE	5163129LL	06.16.00.836
13	RIGHT HEATING HOSE	5163130LL	06.16.00.835
14	SUCTION HOSE 3 WAY	5164029LL	06.16.00.804
15	COMPLETE WATER SUCTION HOSE L=120MM	5301003LL	-
16	CIRCULATION HOSE	5164030LL	06.16.00.115





BEZZERA
dal 1901

4 GR hose series

POS	DESCRIPTION	CODE	REFERENCE
1	COMPLETE LEFT STEAM TAP HOSE 3-4GR	5163003LL	06.16.00.738
2	UPPER LEFT HEATING HOSE	5163129LL	06.16.00.836
3	PRESSURE GAUGE CAPILLARY FOR LEVER-OPERATED MACHINES	7400901LL	-
4	COMPLETE RIGHT STEAM TAP HOSE 2-3-4GR	5163004LL	06.16.00.731
5	COMPLETE HOSE FOR PRESSOSTAT	5162001LL	06.16.00.718
6	CIRCULATION HOSE	5164030LL	06.16.00.115
7	COMPLETE WATER SUCTION HOSE L=120MM	5301003LL	-
8	UPPER LEVEL HOSE	5164046LL	06.16.00.152
9	BOTTOM LEVEL HOSE	5164072LL	06.16.00.830
10	INLET LOAD BOILER HOSE	5164032LL	06.16.00.141
11	RIGHT HEATING HOSE	5163065LL	06.16.00.835
12	BY-PASS HEATING HOSE	5163095LL	06.16.00.713
13	WATER TAP HOSE	5163171LL	-
14	BOILER DRAIN HOSE	5164071LL	06.16.00.829

